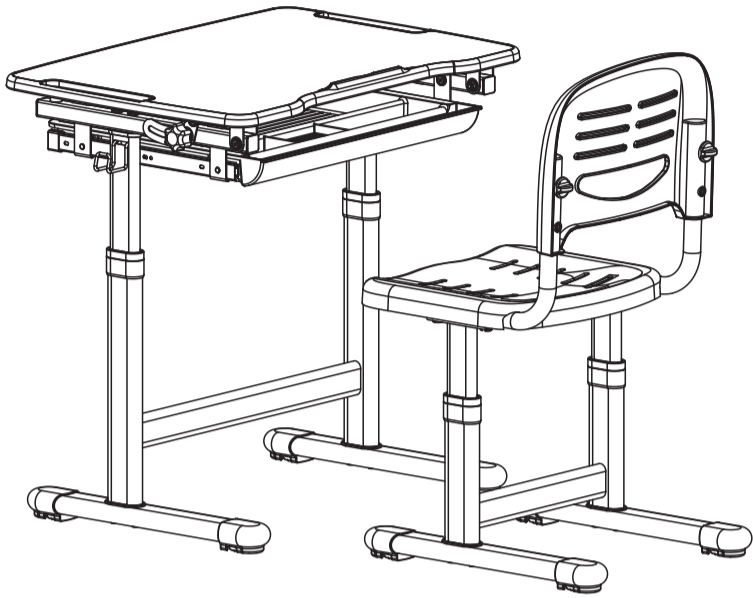




Deken Debostraat 70a B-8791 Beveren-Leie



Kids Study Desk & Chair

INSTRUCTION MANUAL

B1

B2x4

B3

B4

B5

B6

B7

B8

B9

B10

B11

B12

A1x8

A2x12

A3x12

A4x4

A5x2

A6x4

A7x4

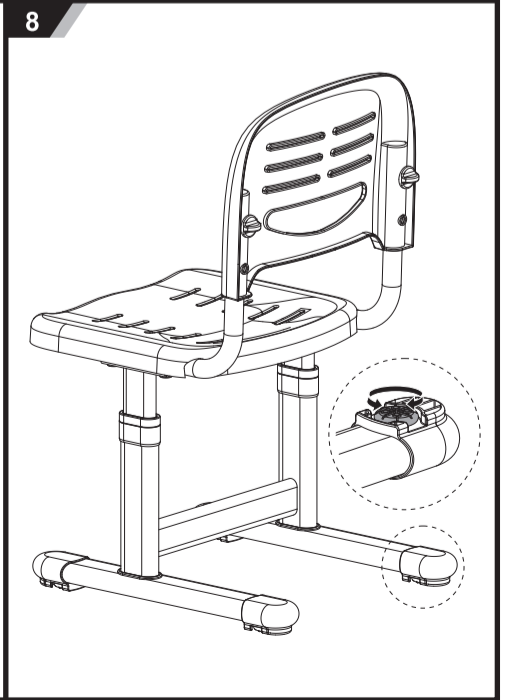
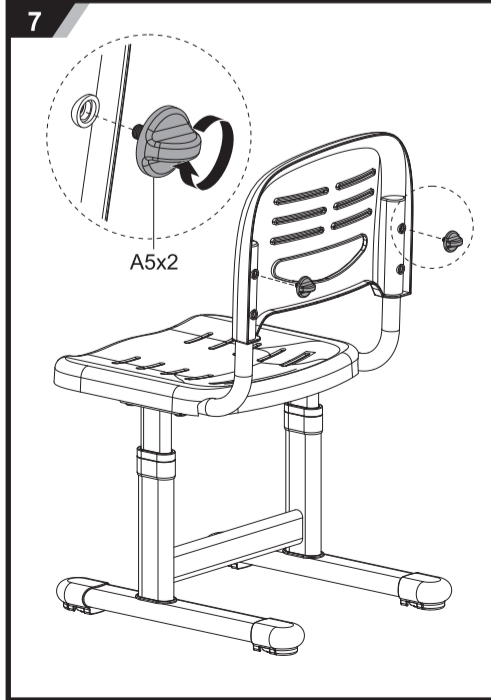
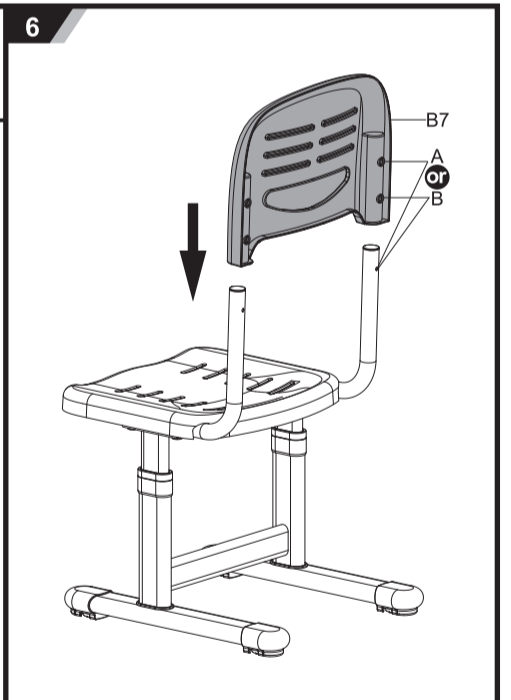
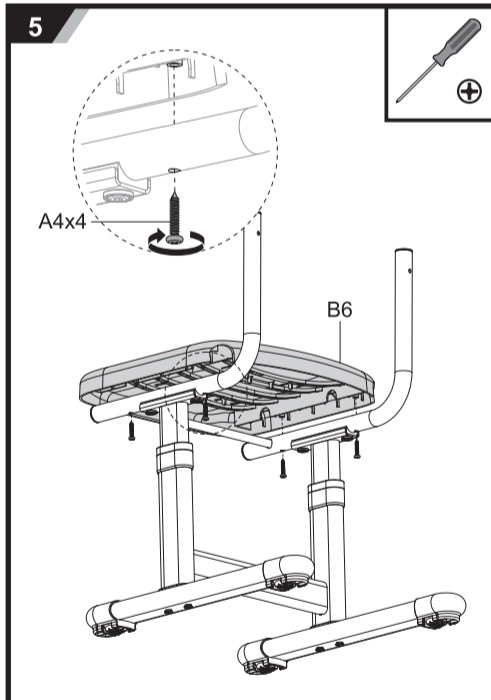
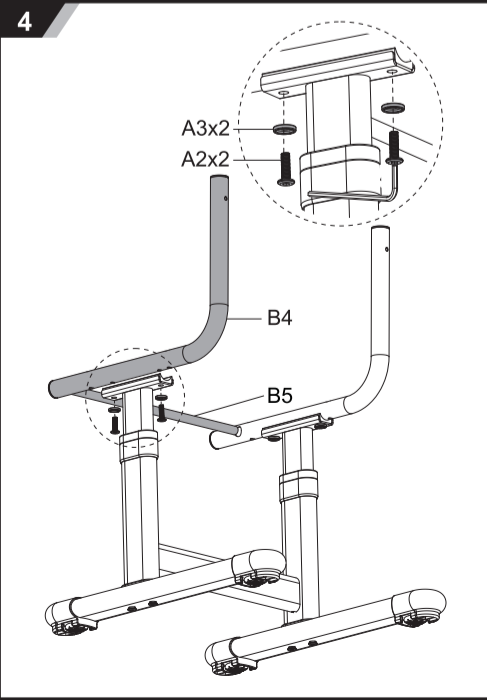
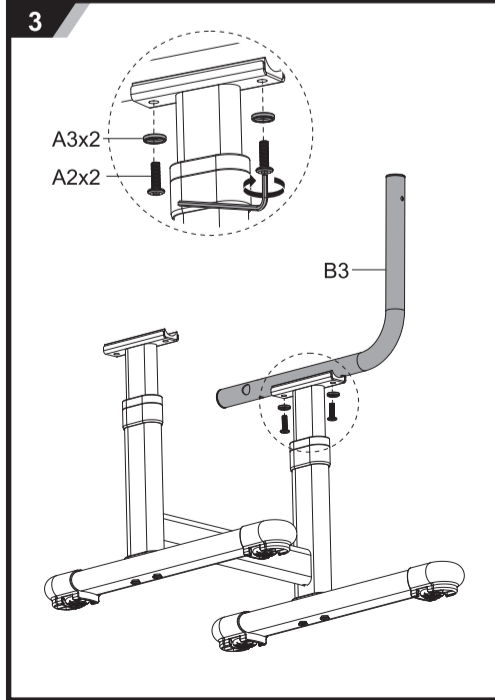
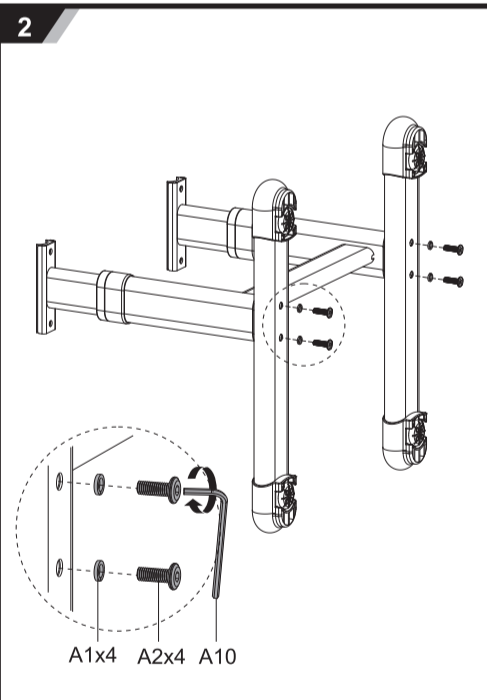
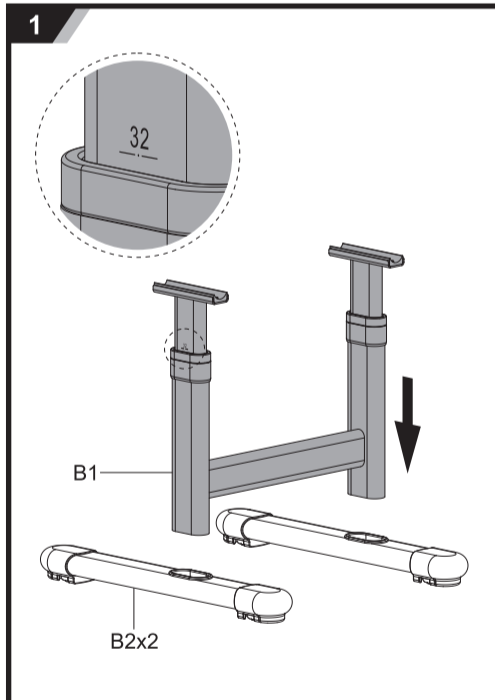
A8x4

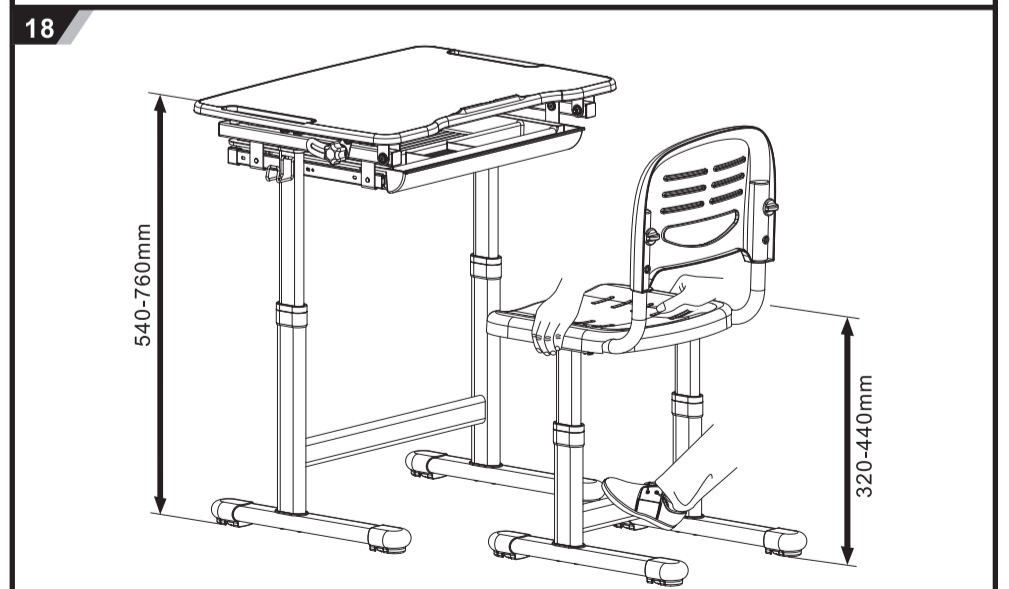
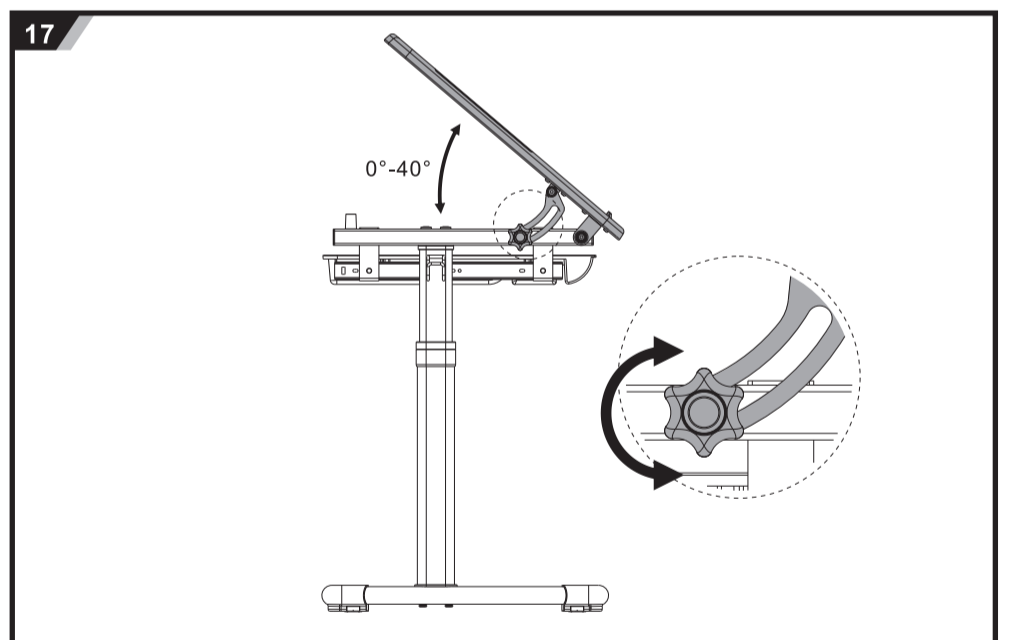
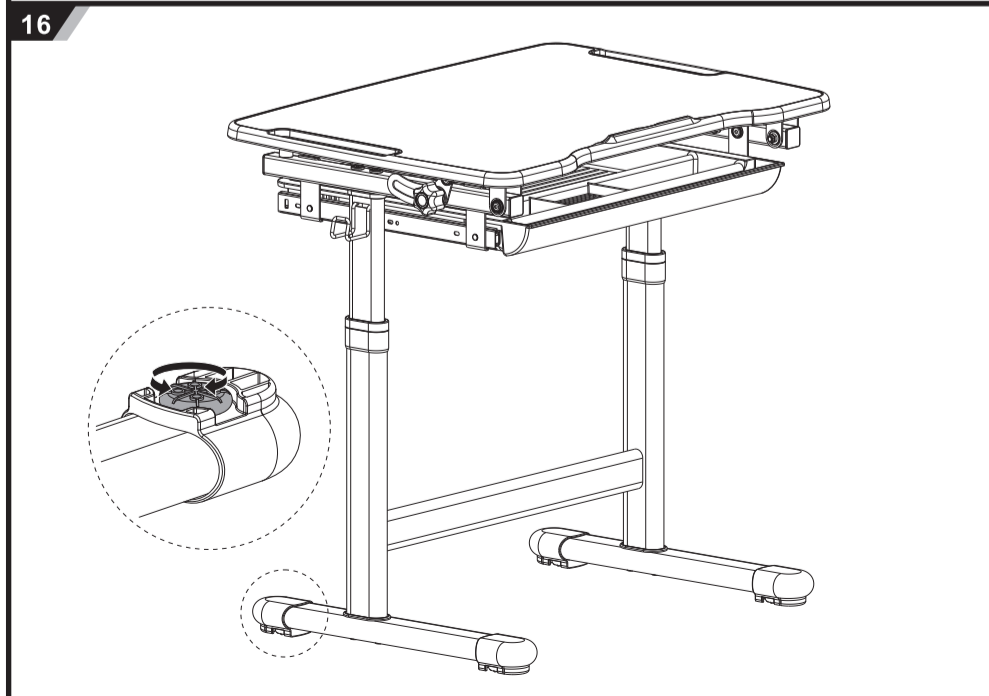
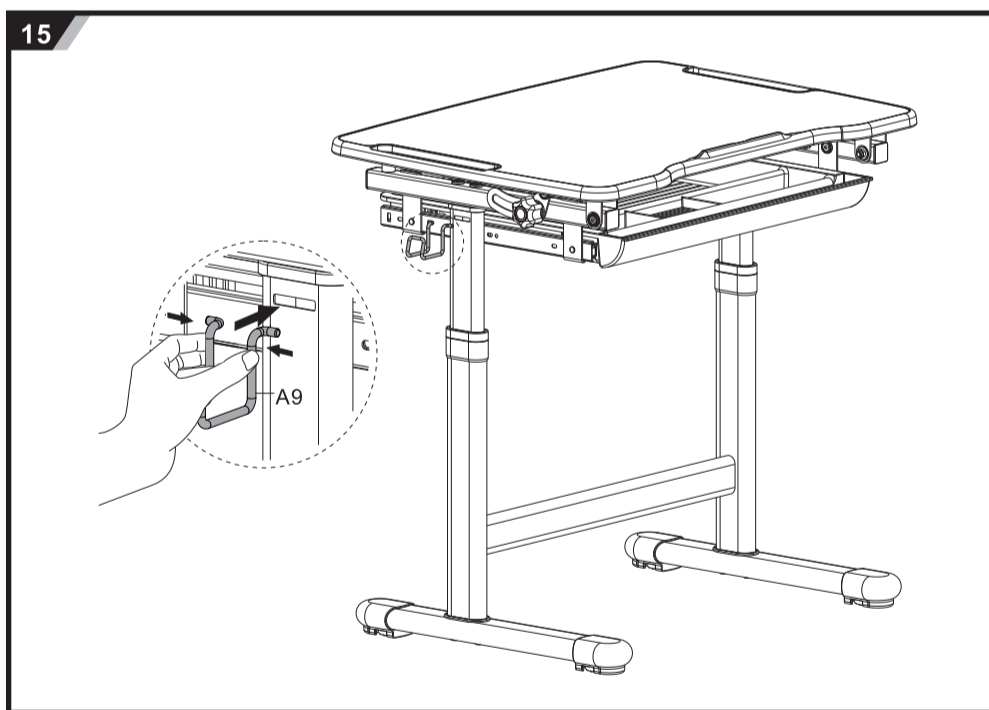
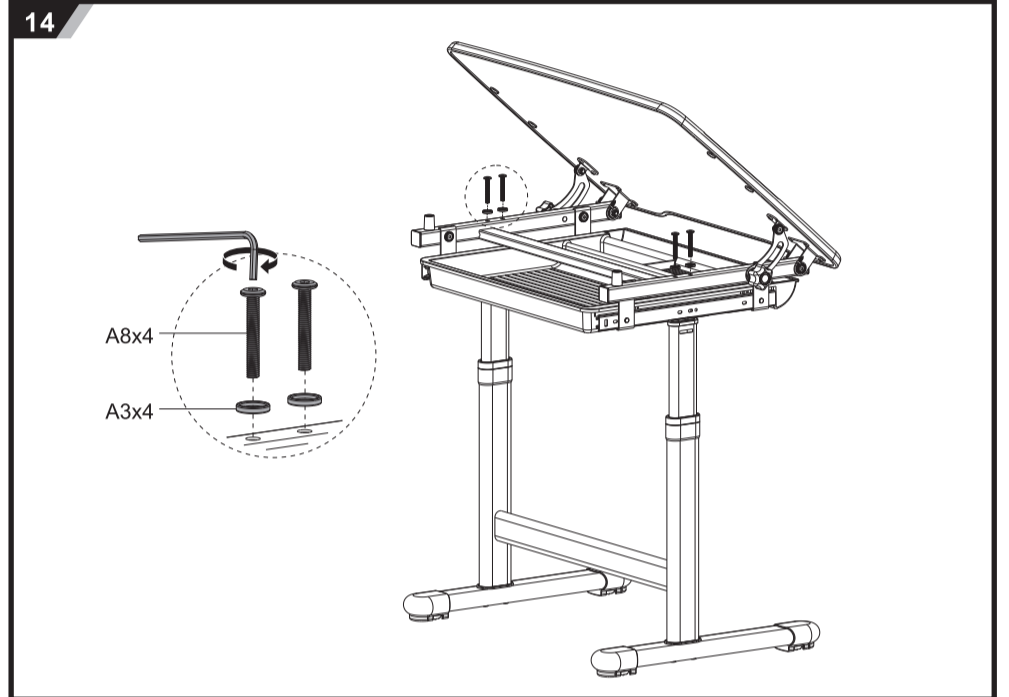
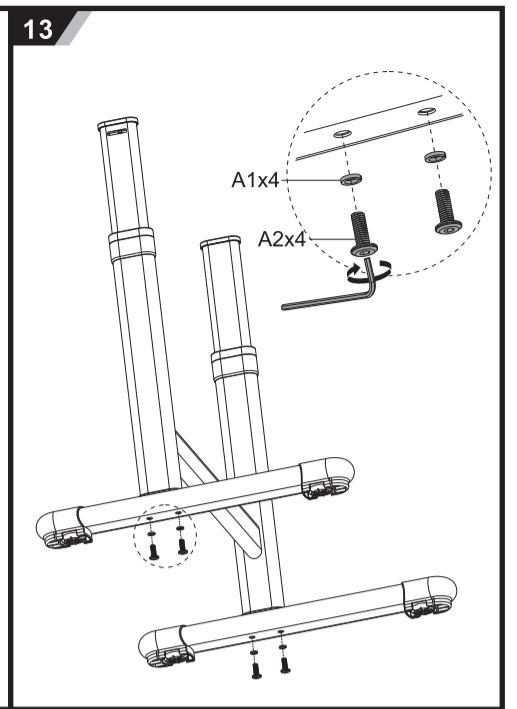
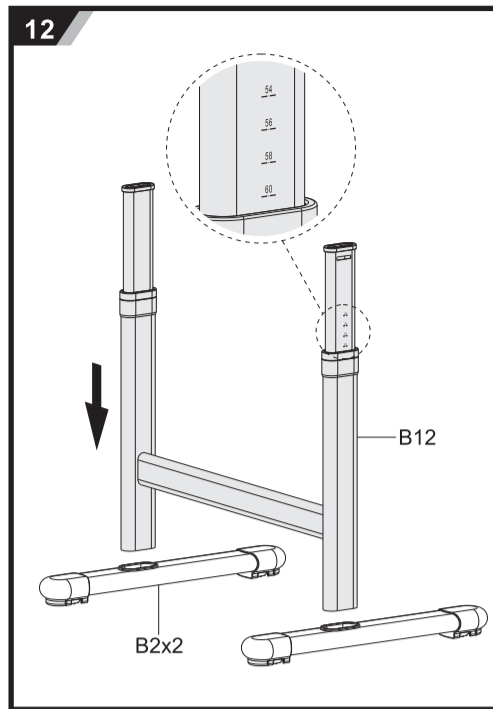
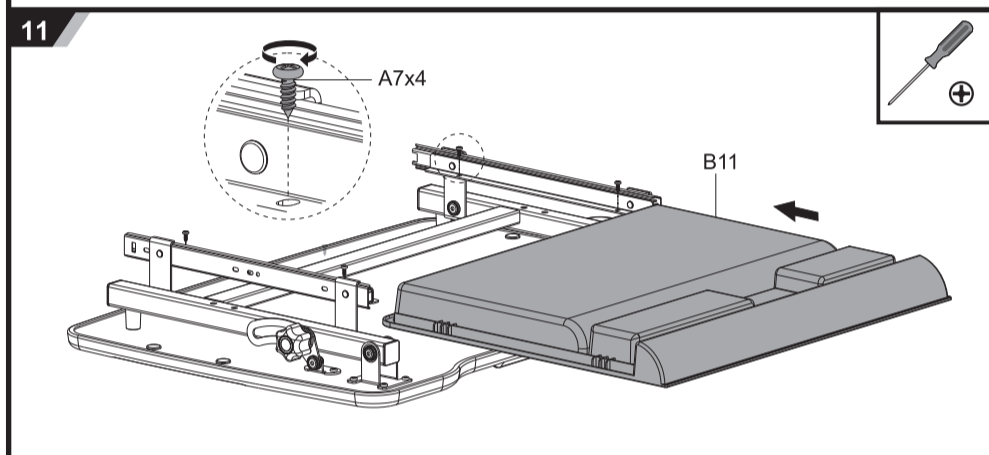
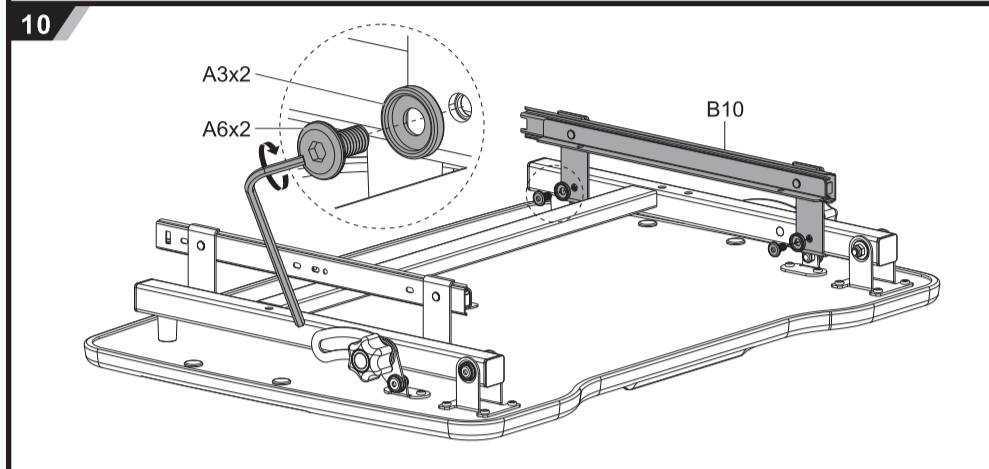
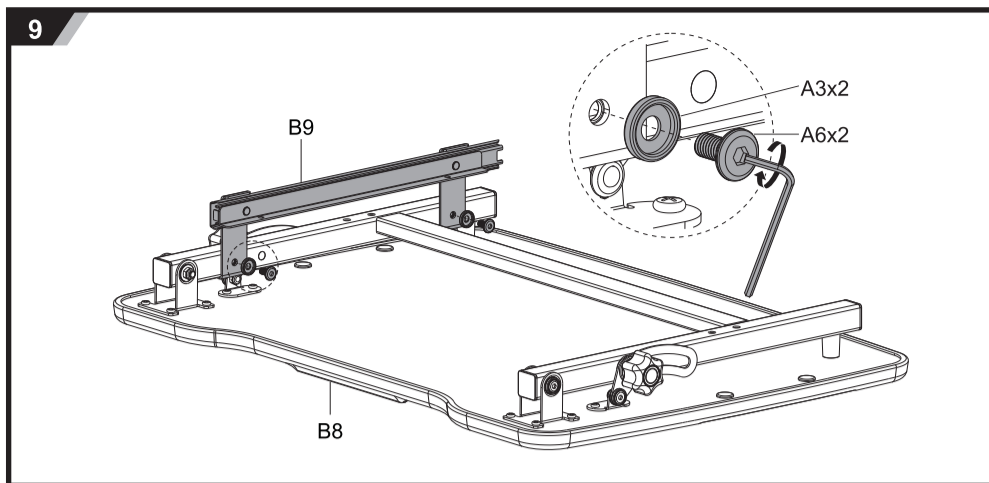
A9x1

A10x1

CAUTION!

1. Read the entire instruction manual before you start installation and assembly. Improper installation may result in damage or serious personal injury.
2. Adult assembly required. Product contains small parts that present choking hazards for children.
3. Never fully tighten the screws until all hardware has been assembled and in proper place.
4. Never allow corrosives, moisture, or chemicals to make contact with the product as surface damage may occur. Should this happen, clean the surface immediately using a damp cloth.
5. The product is intended for indoor use only, using the product outdoors or in an uncontrolled environment may result in product failure.





RAISING THE DESK/CHAIR

Stabilize the desk/chair by placing your foot on the crossbar as shown. Using both hands, lift up to the desired height.

LOWERING THE DESK/CHAIR

Stabilize the desk/chair by placing your foot on the crossbar as shown. Using both hands, lift up to the max. height then slowly lower to the min. height. Lift up again to the desired height.