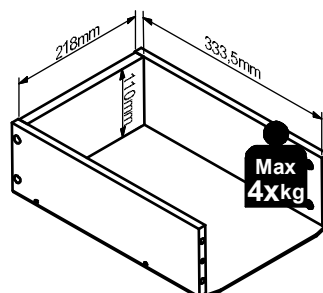
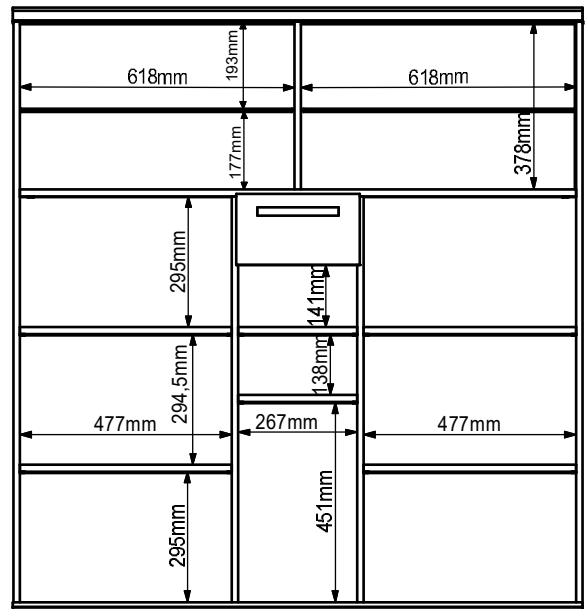
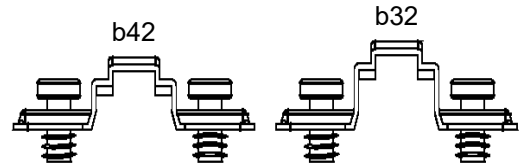
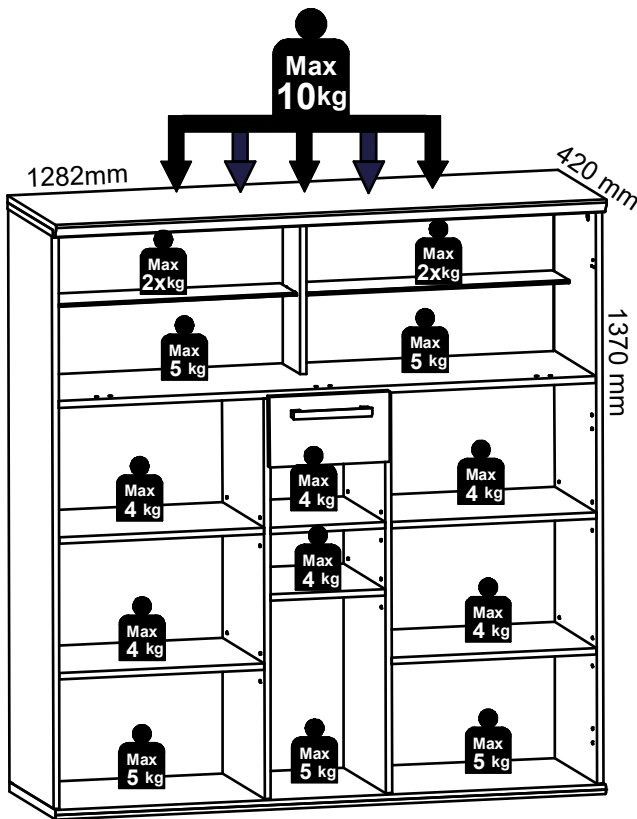
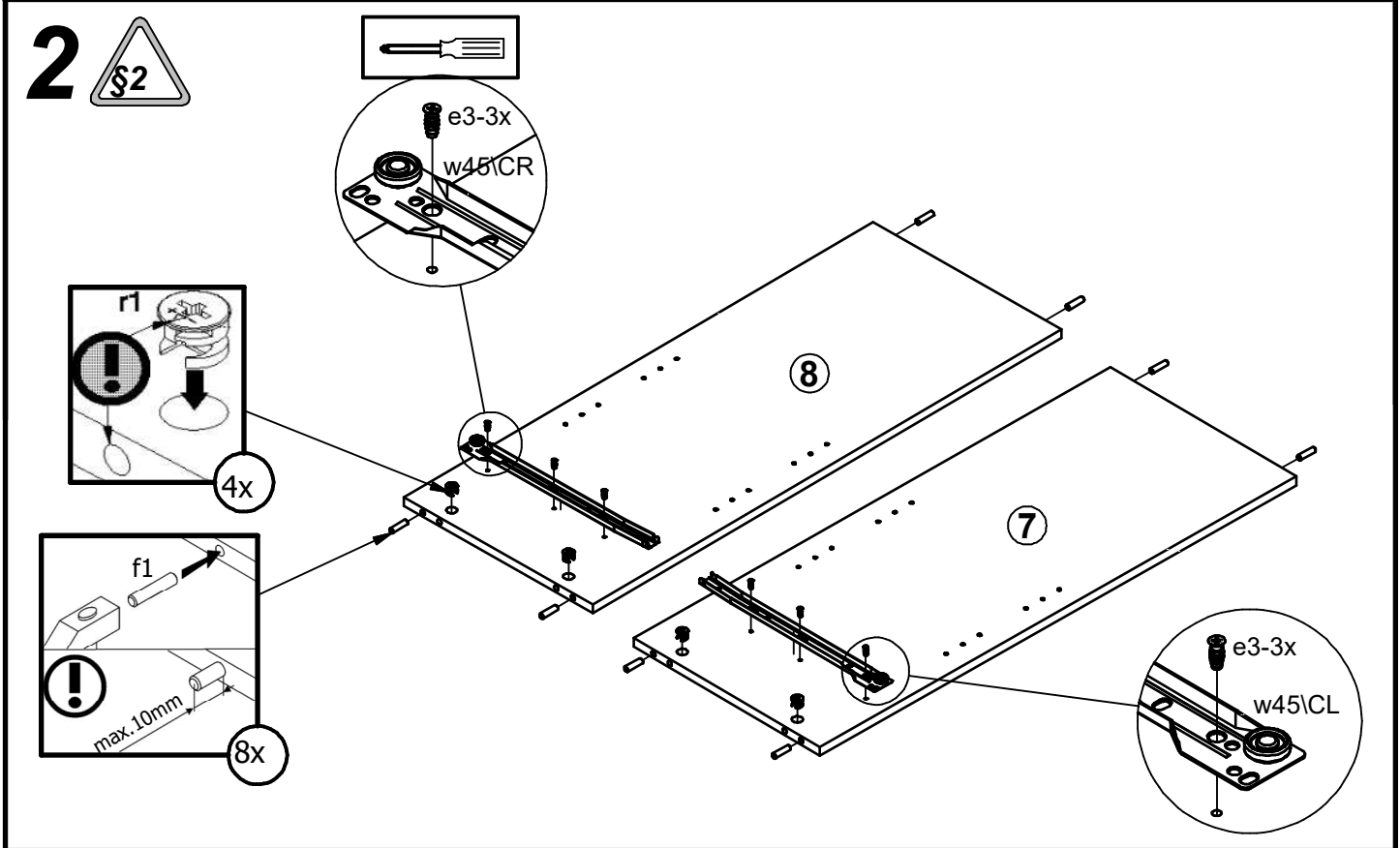
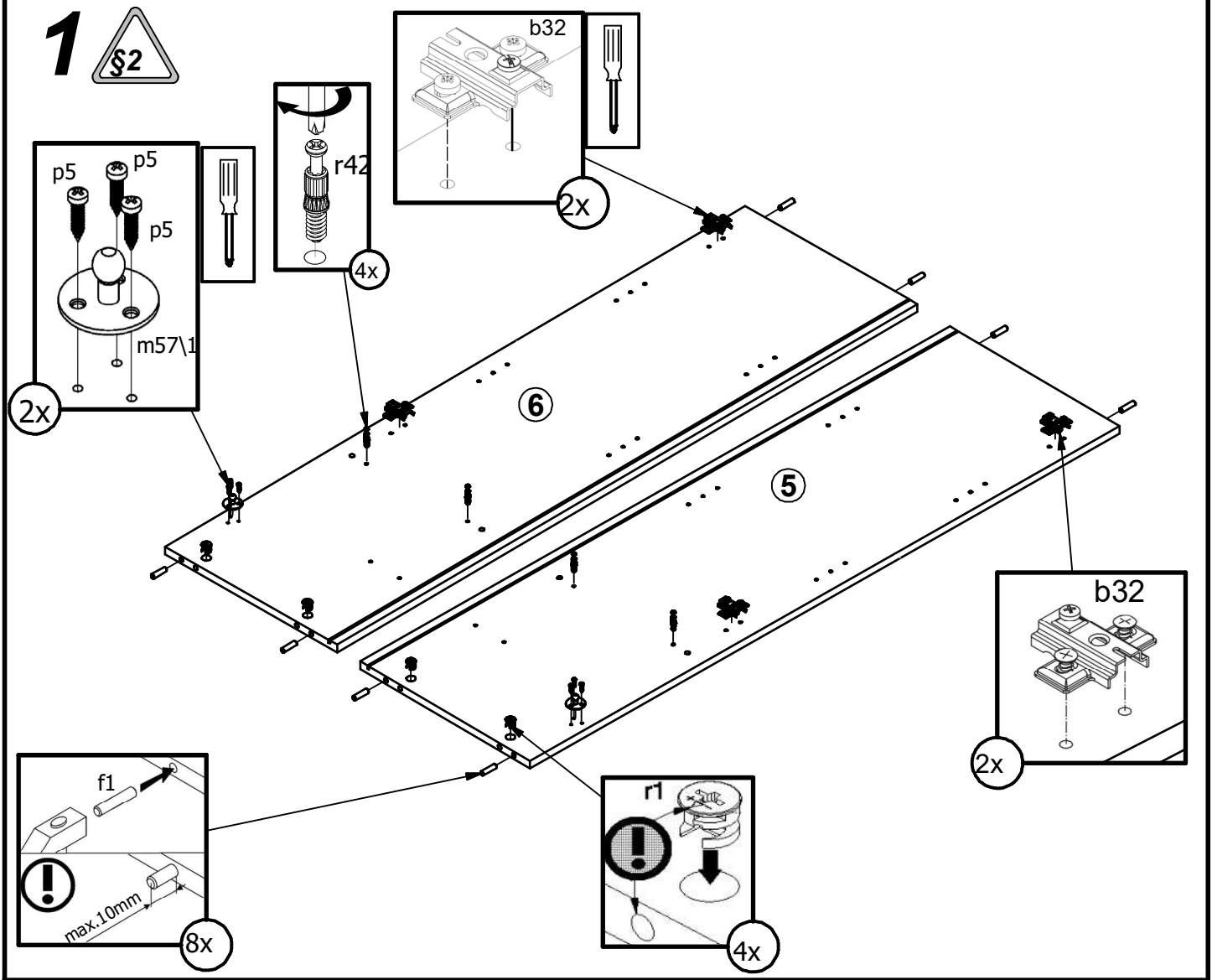
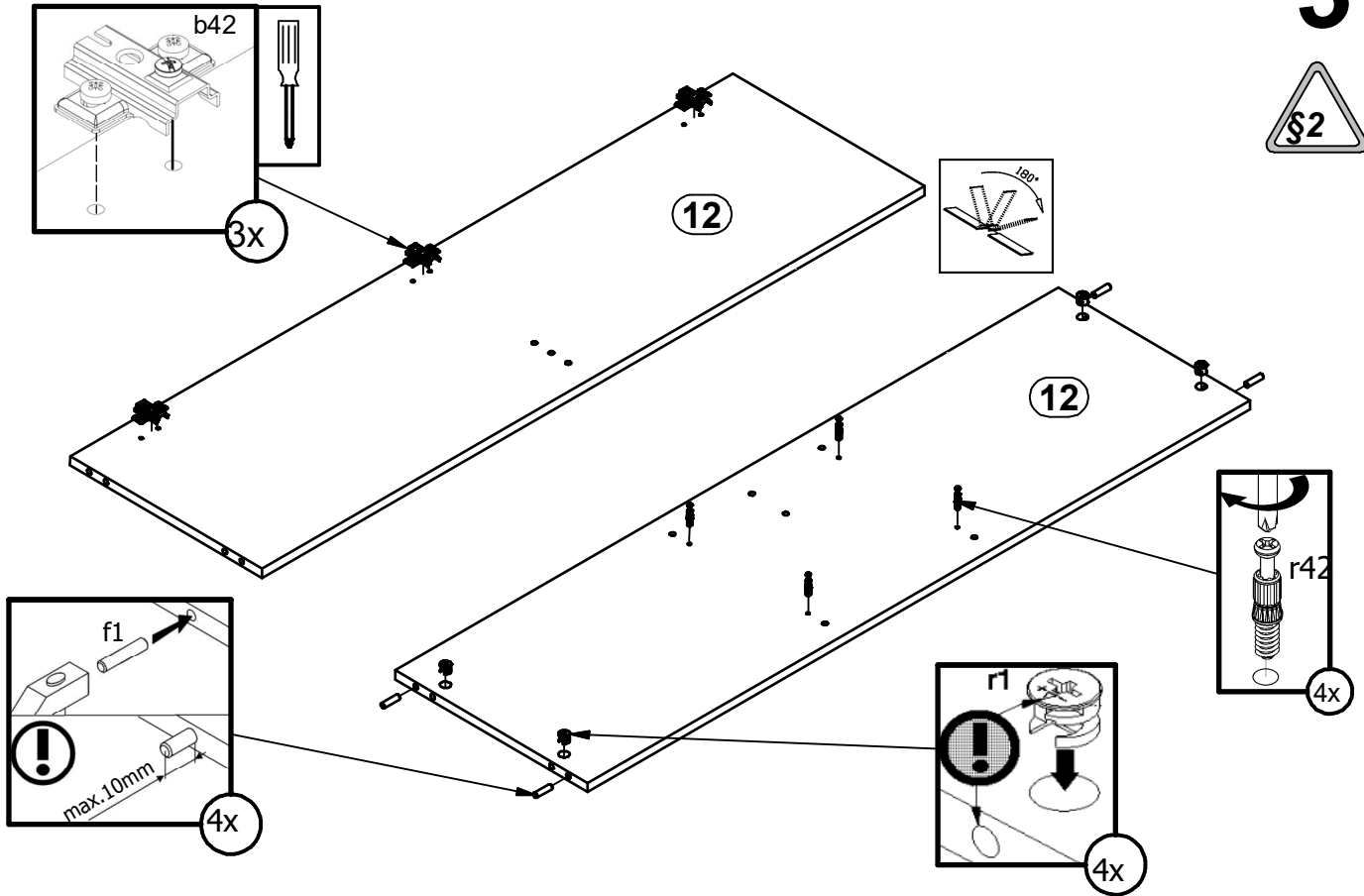


A	B	C1	C2	C3	D
1	S543-0006	1278	380	19	1/3
2	S543-0007	496	916	19	3/3
3	S543-0008	279	160	16	2/3
4	S543-0009	496	916	19	3/3
5	S543-1016	1306	382	15	2/3
6	S543-1017	1306	382	15	2/3
7	S543-1018	914	362	15	3/3
8	S543-1019	914	362	15	3/3
9	S543-1020	393	150	15	3/3
10	S543-2007	1282	420	32	1/3
11	S543-2008	1282	403	22	1/3
12	S543-3004	1251	362	15	2/3
13	S543-3005	611	140	6	2/3
14	S543-3008	477	362	15	3/3
15	S543-3010	267	362	15	2/3
16	S543-5501	1249	375	3	1/3
17	S543-9003	926	489	2,5	3/3
18	S543-9004	1261	405	2,5	1/3
19	S543-9006	926	281	2,5	3/3
20	WSP-9423	240	358	2,5	2/3
21	ZS7-5071	218	110	15	3/3
22	ZS7-521	350	110	12	2/3
23	ZS7-522	350	110	12	2/3

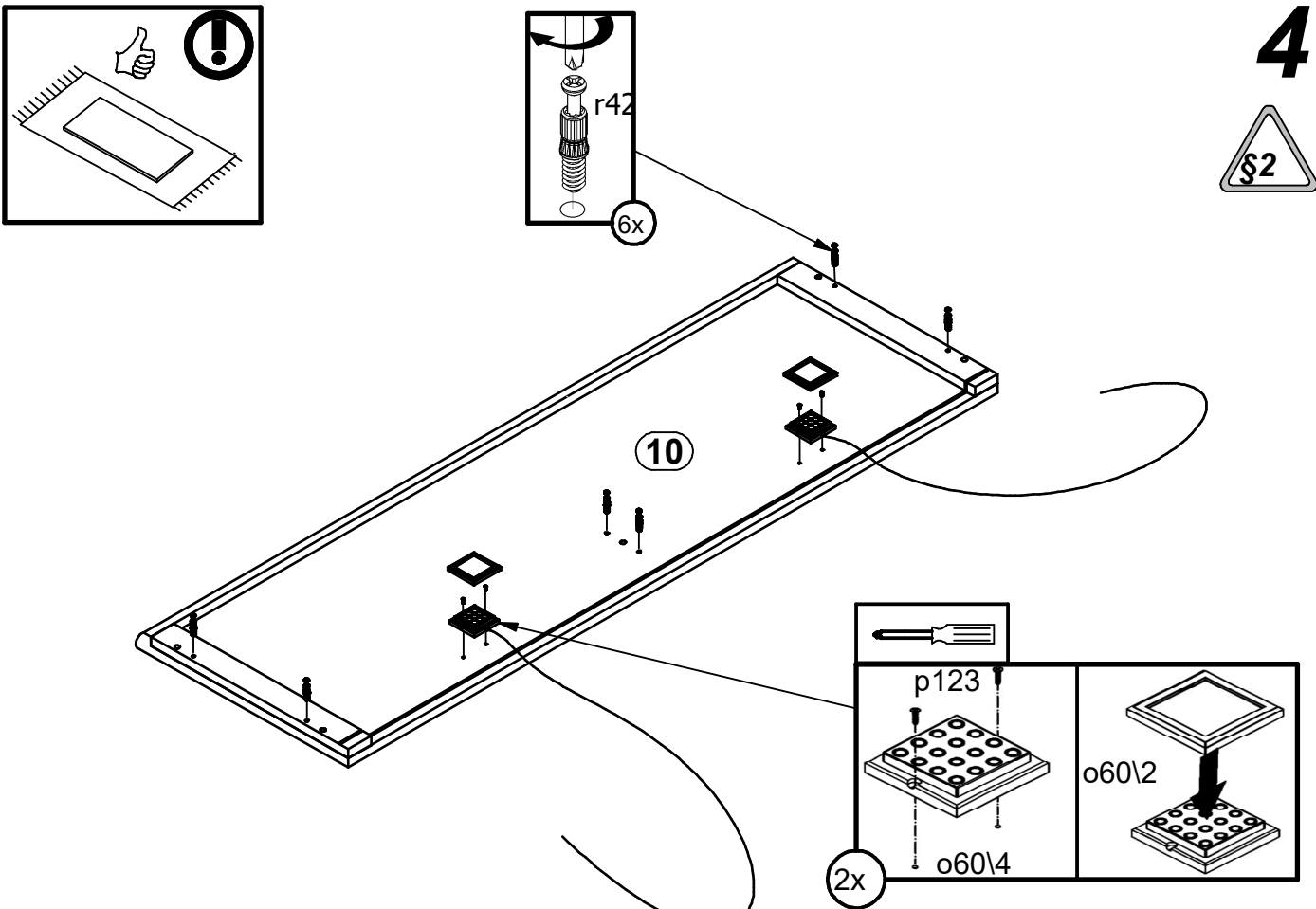


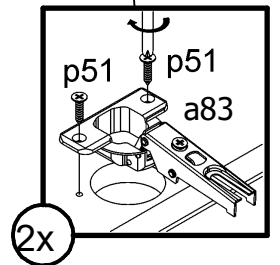
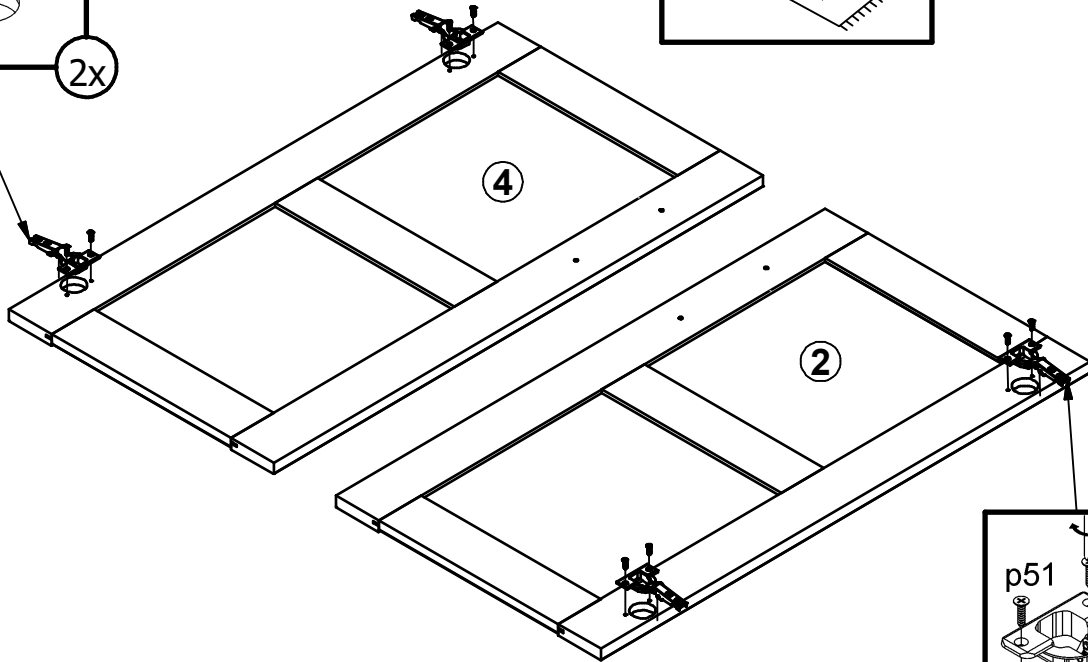
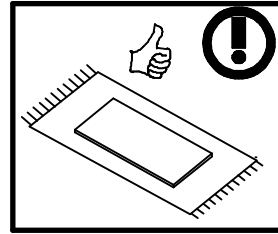
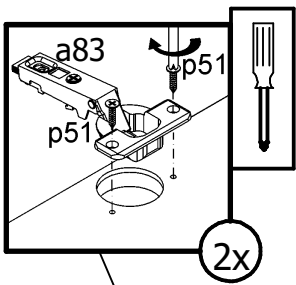


3

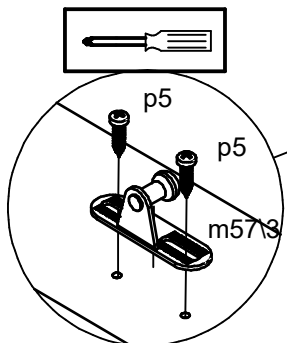
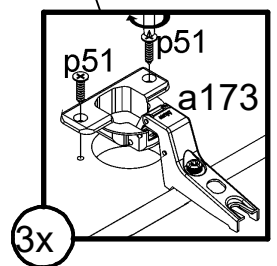
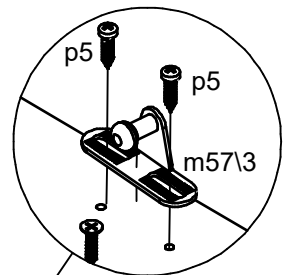
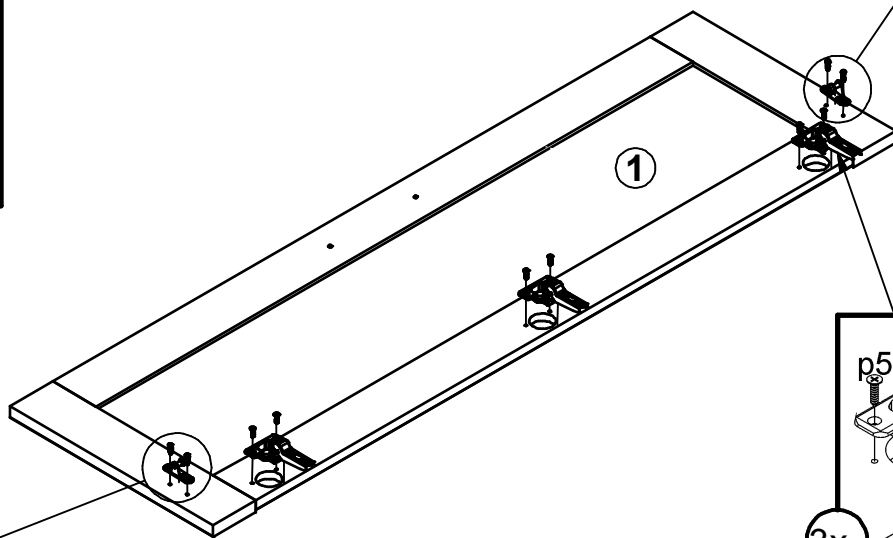
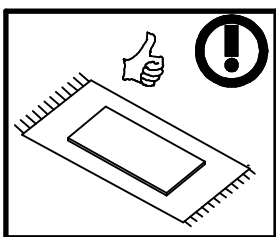


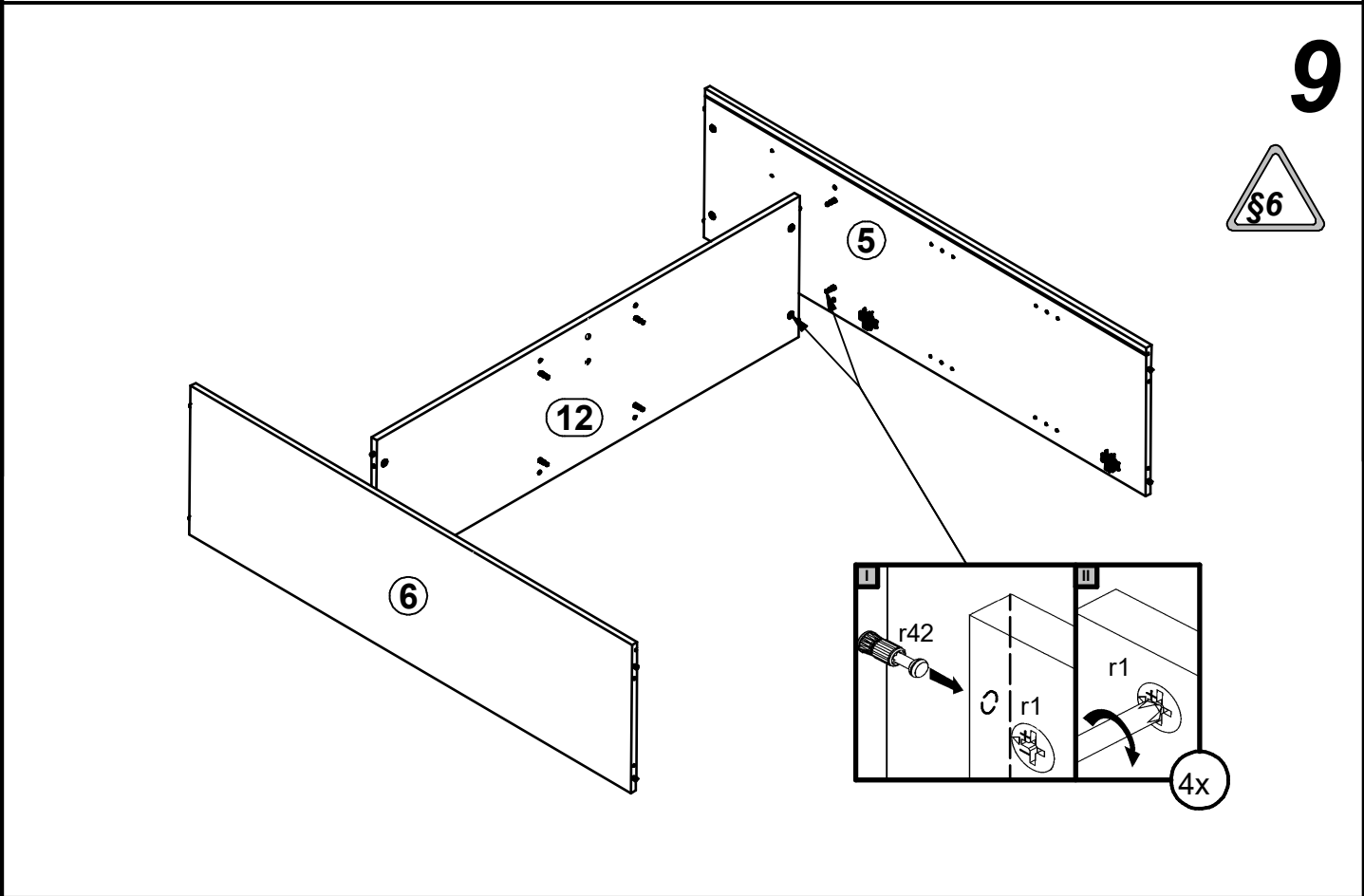
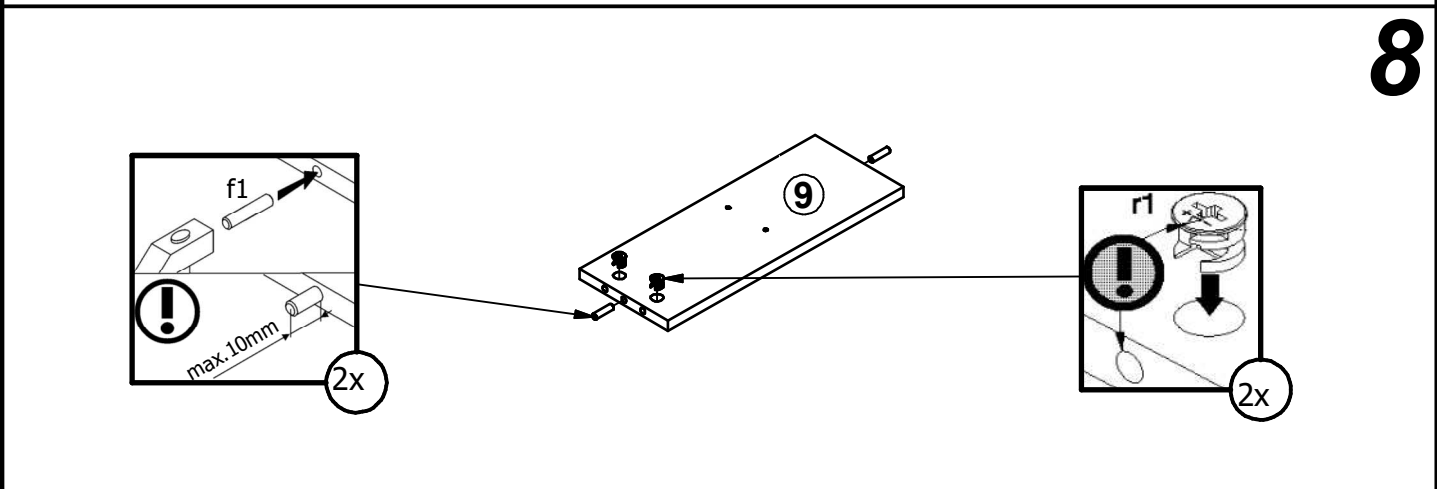
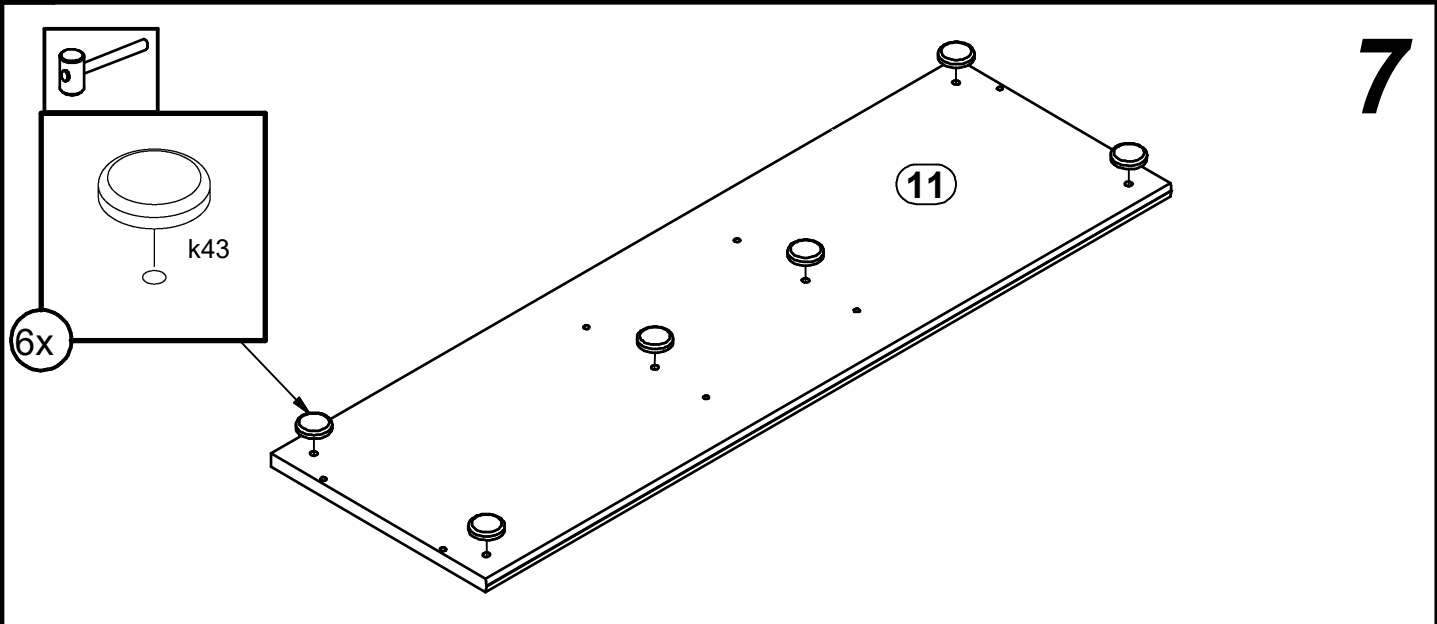
4



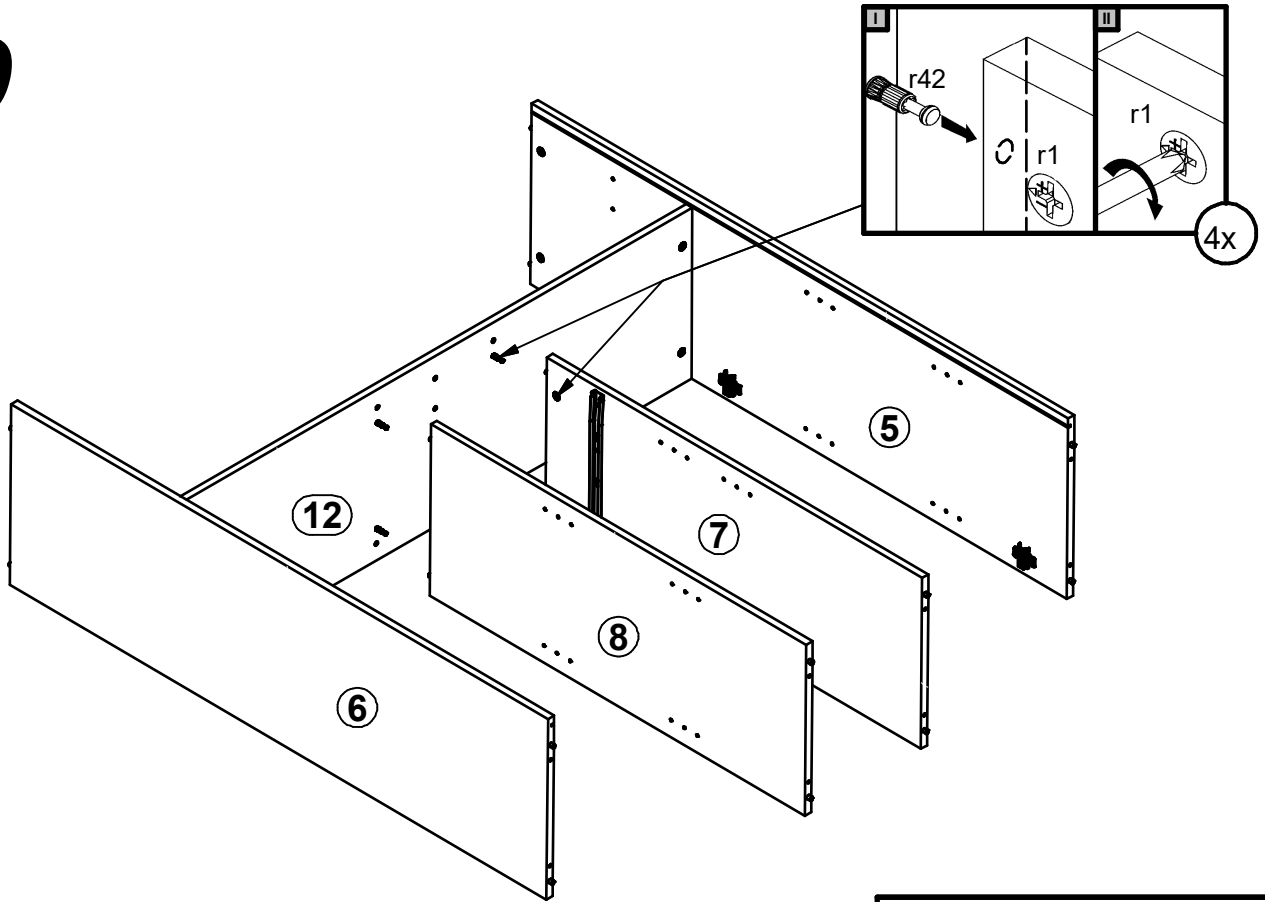


6

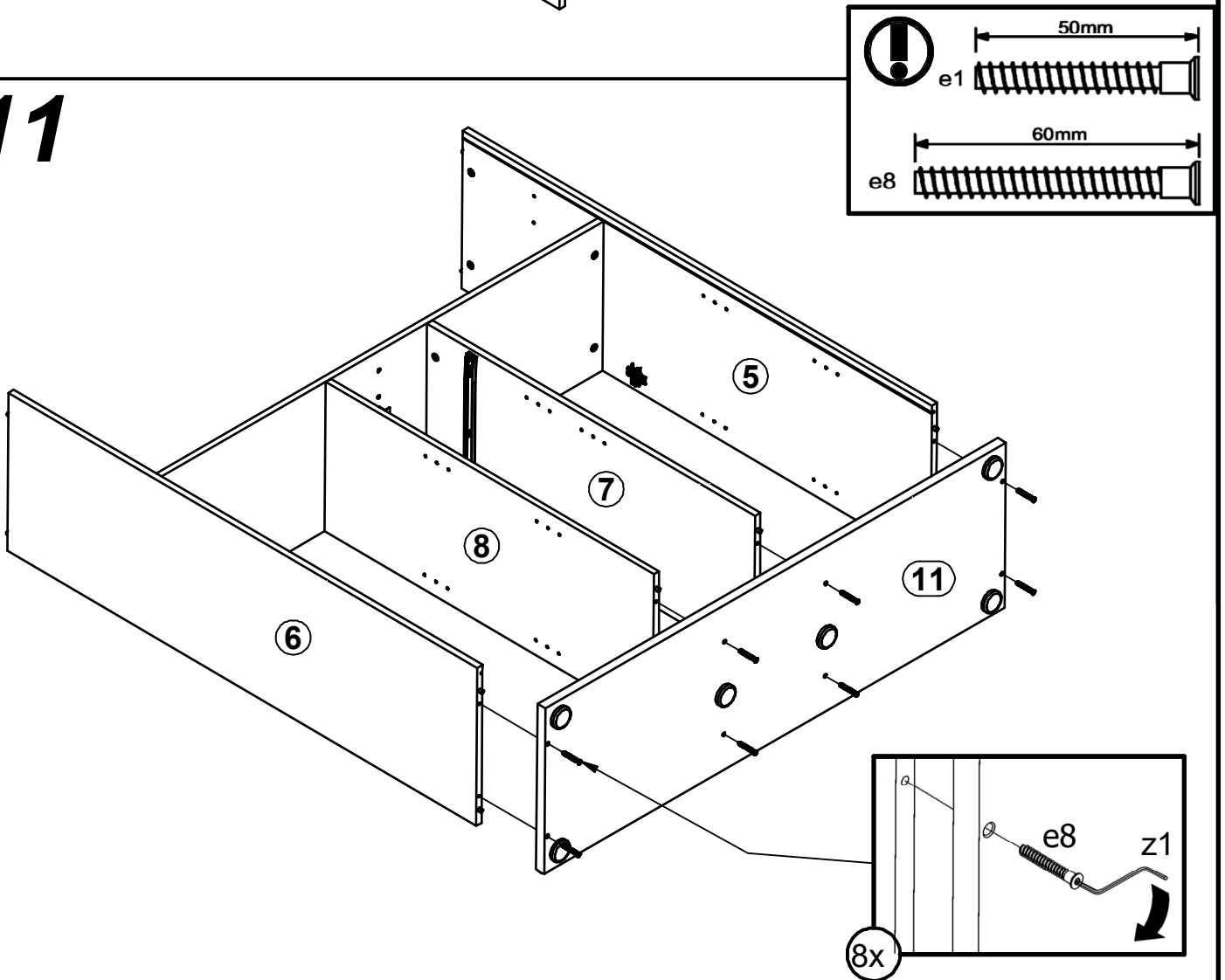




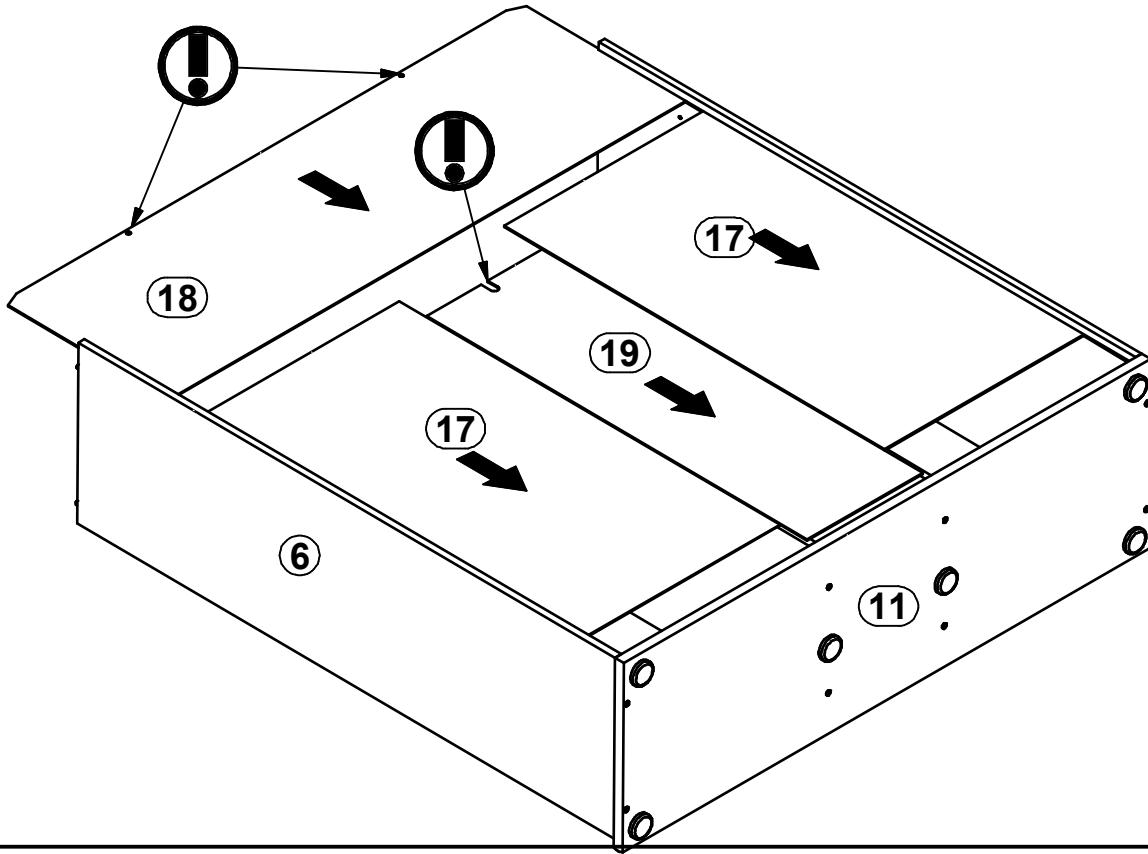
10



11

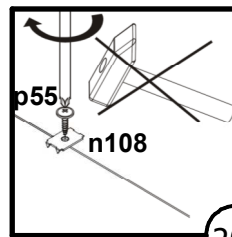
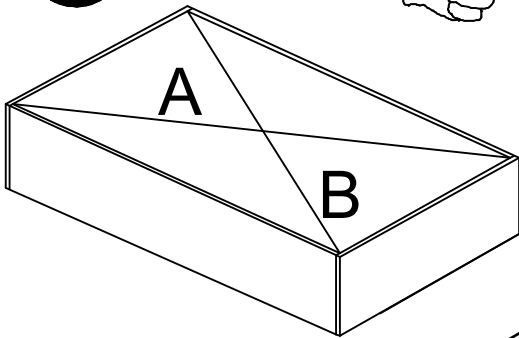


12

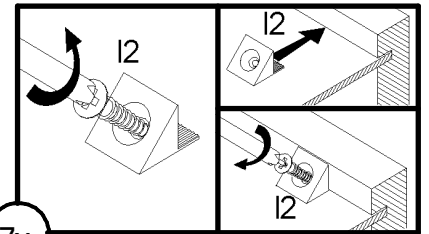


13

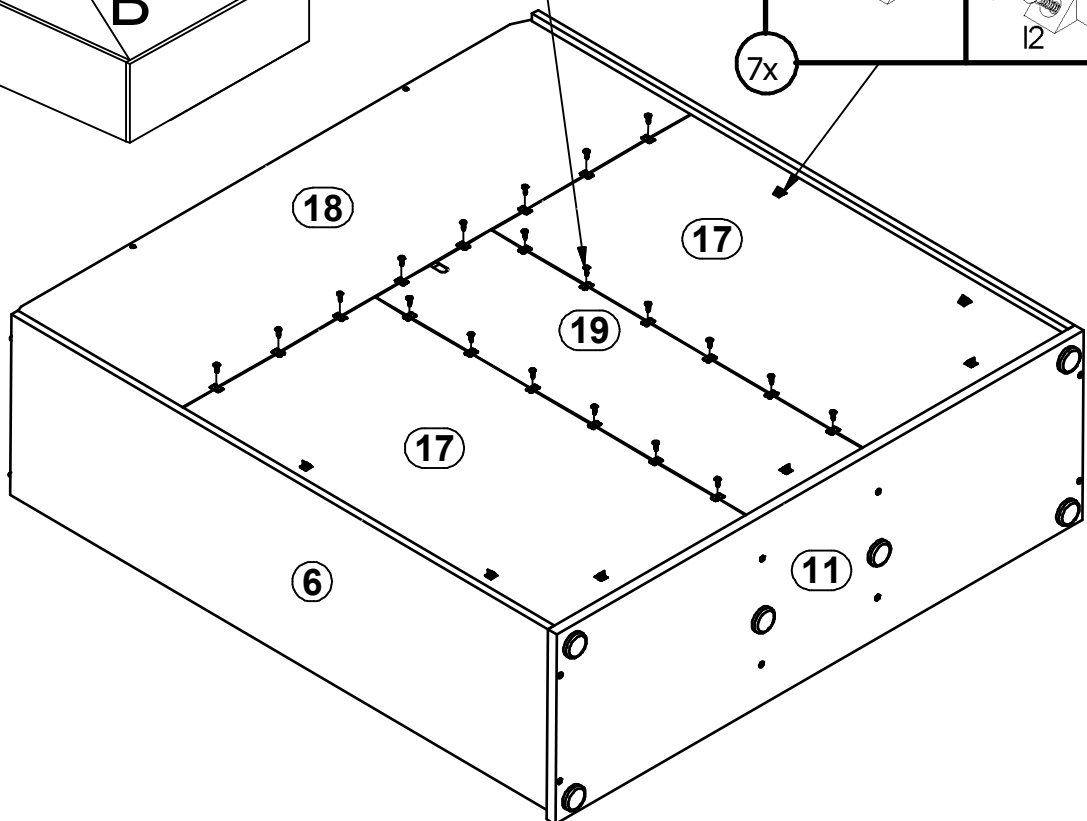
! A=B



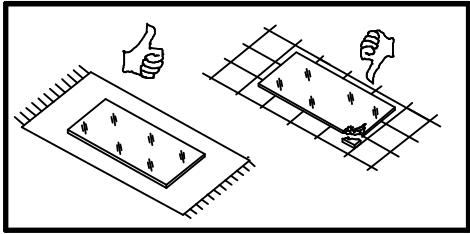
20x



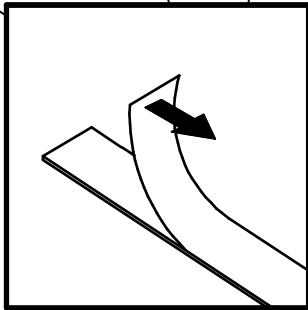
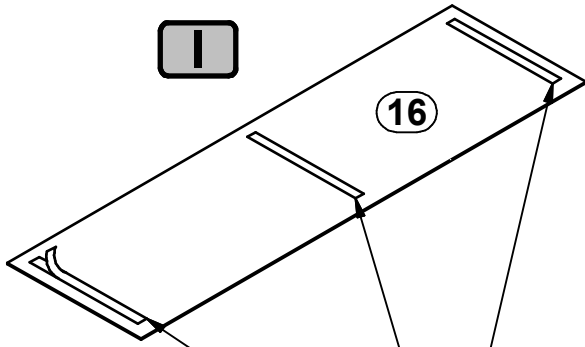
7x



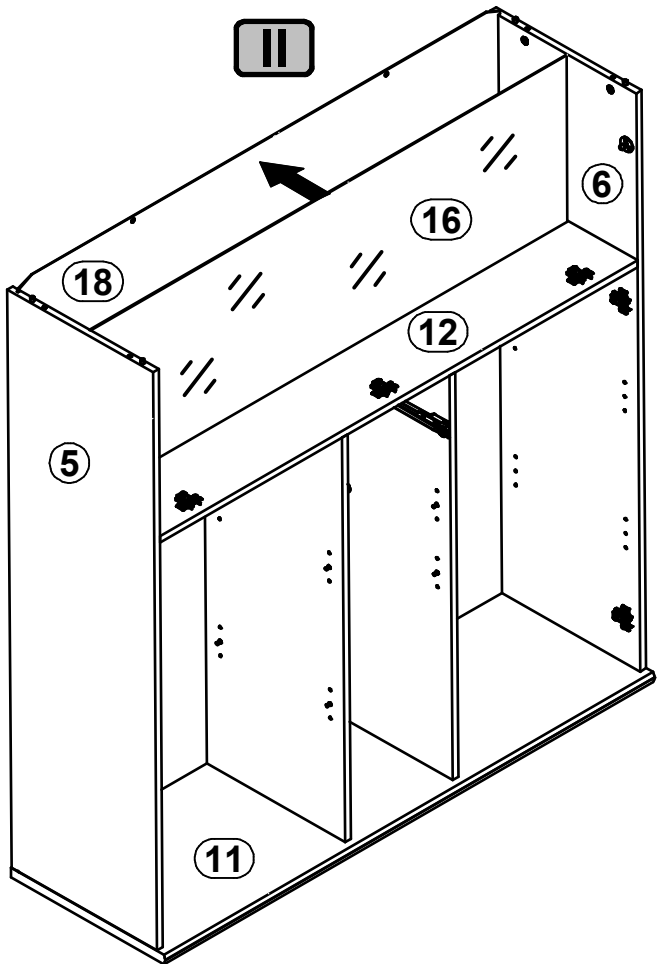
14



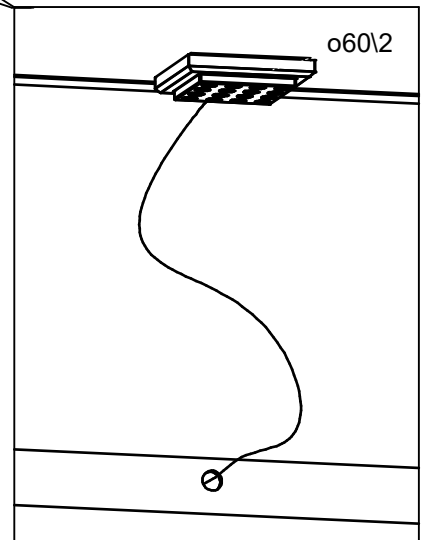
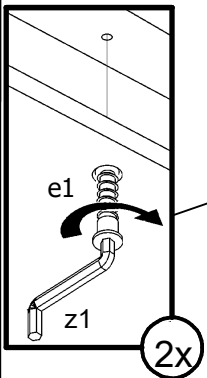
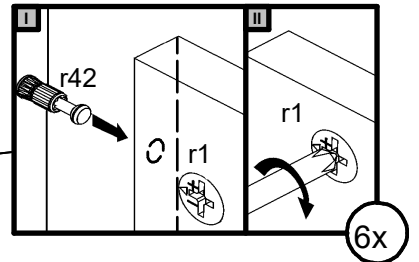
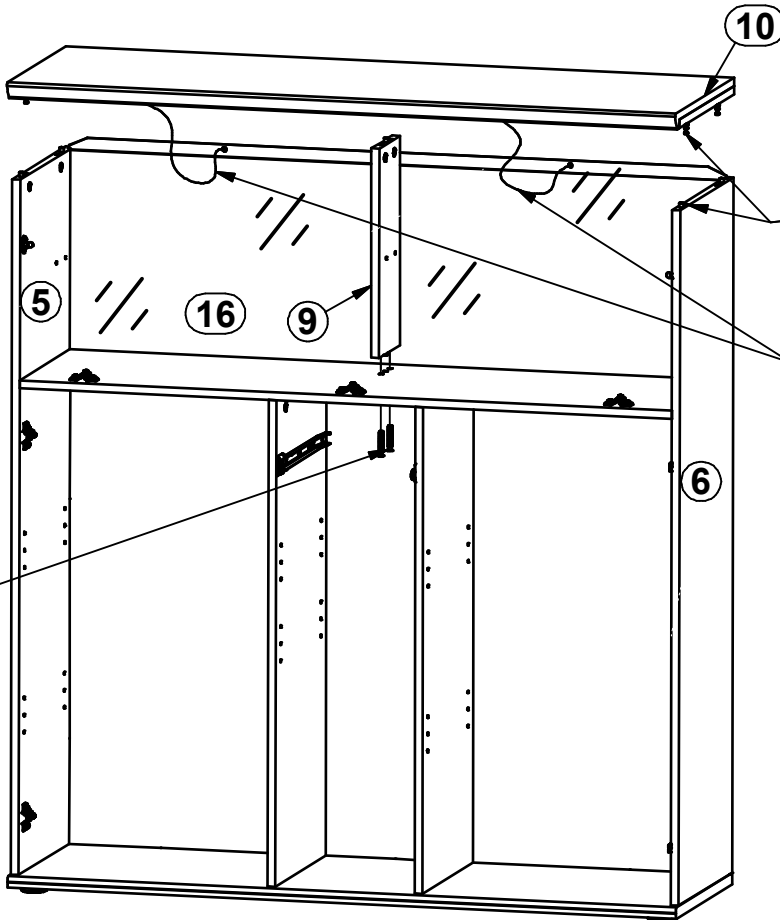
I



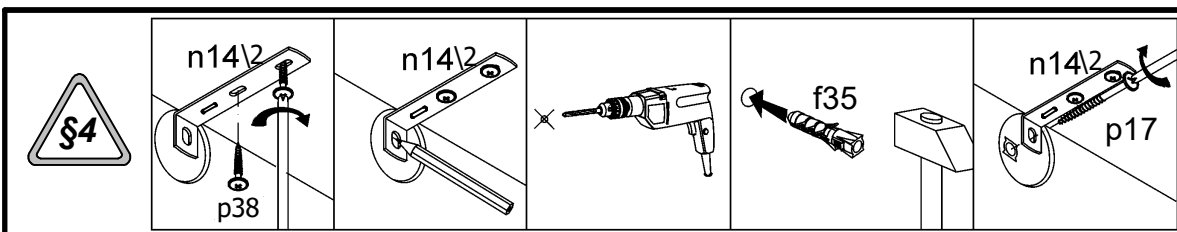
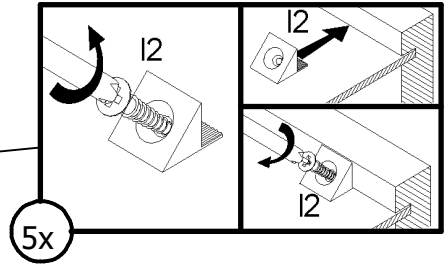
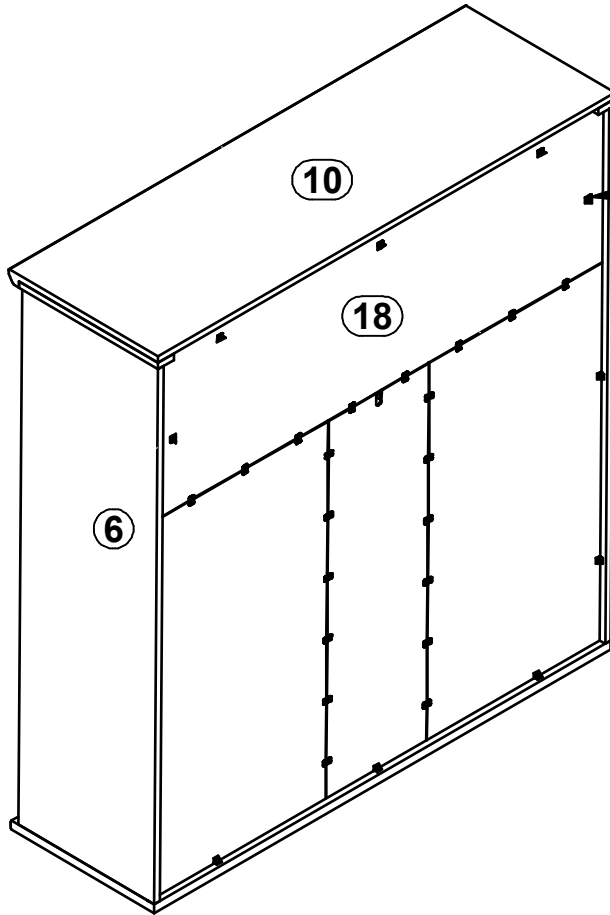
II



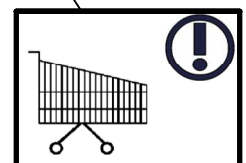
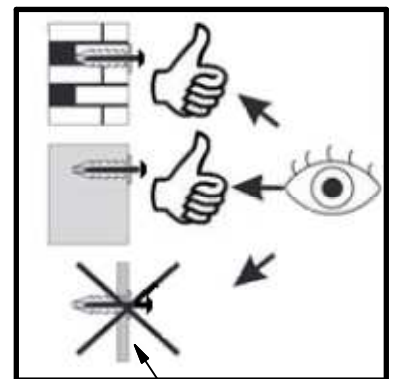
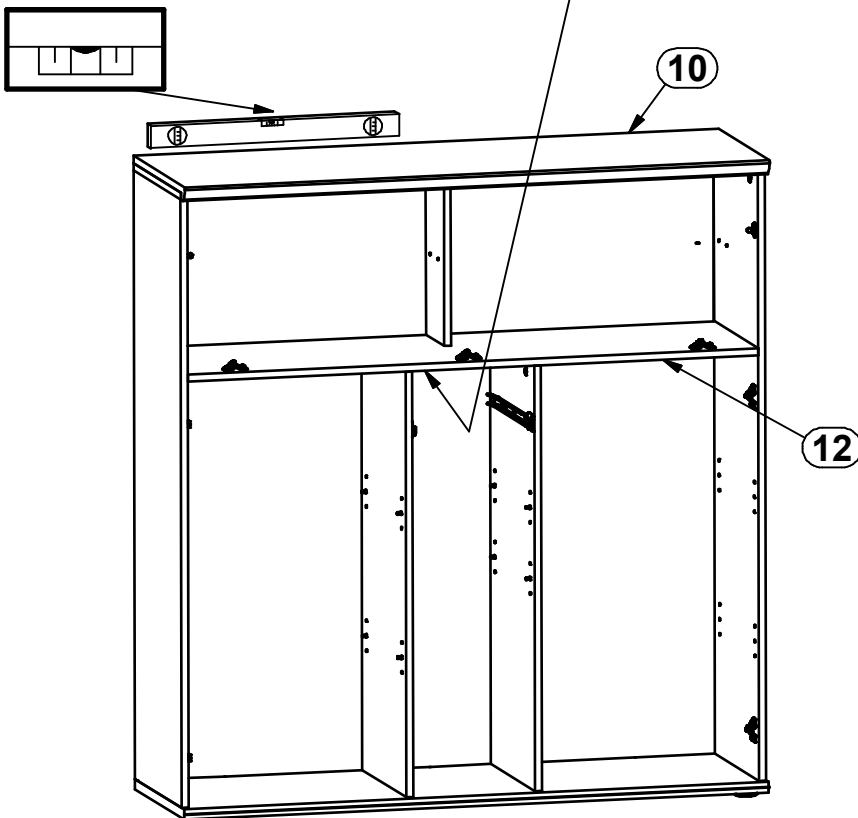
15



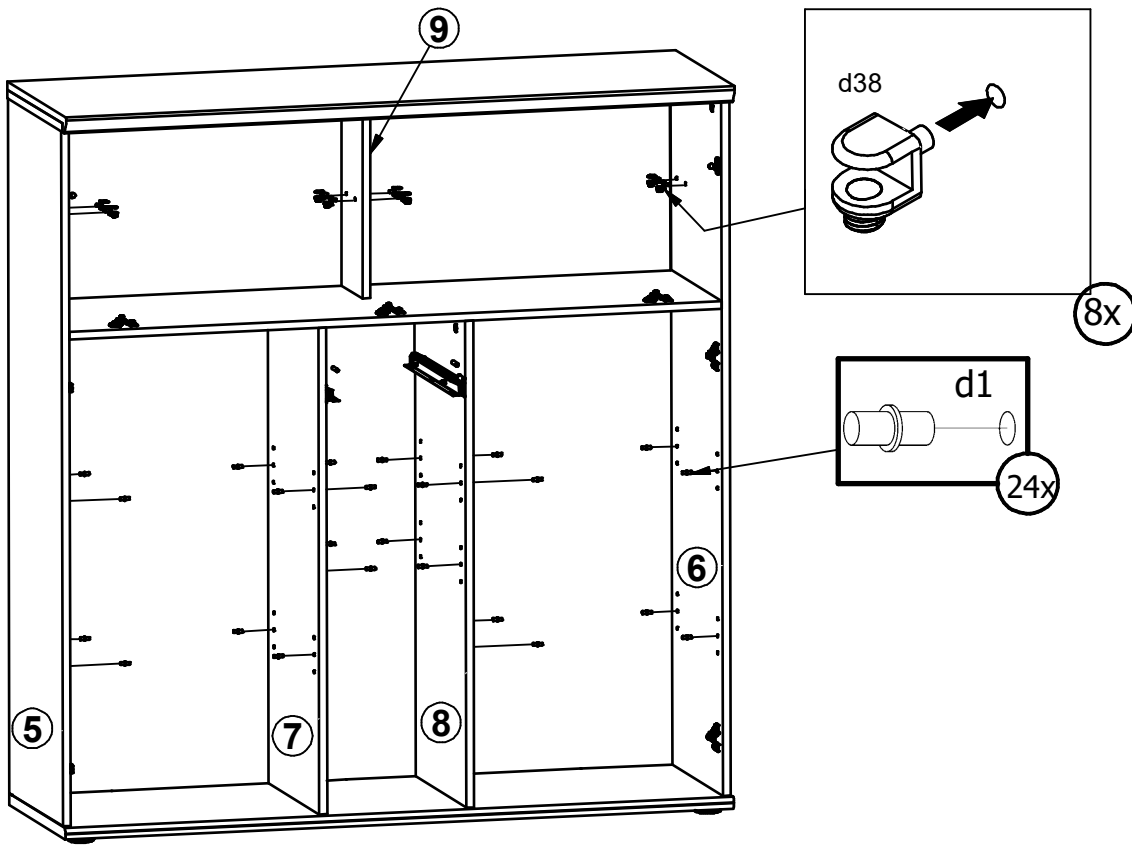
16



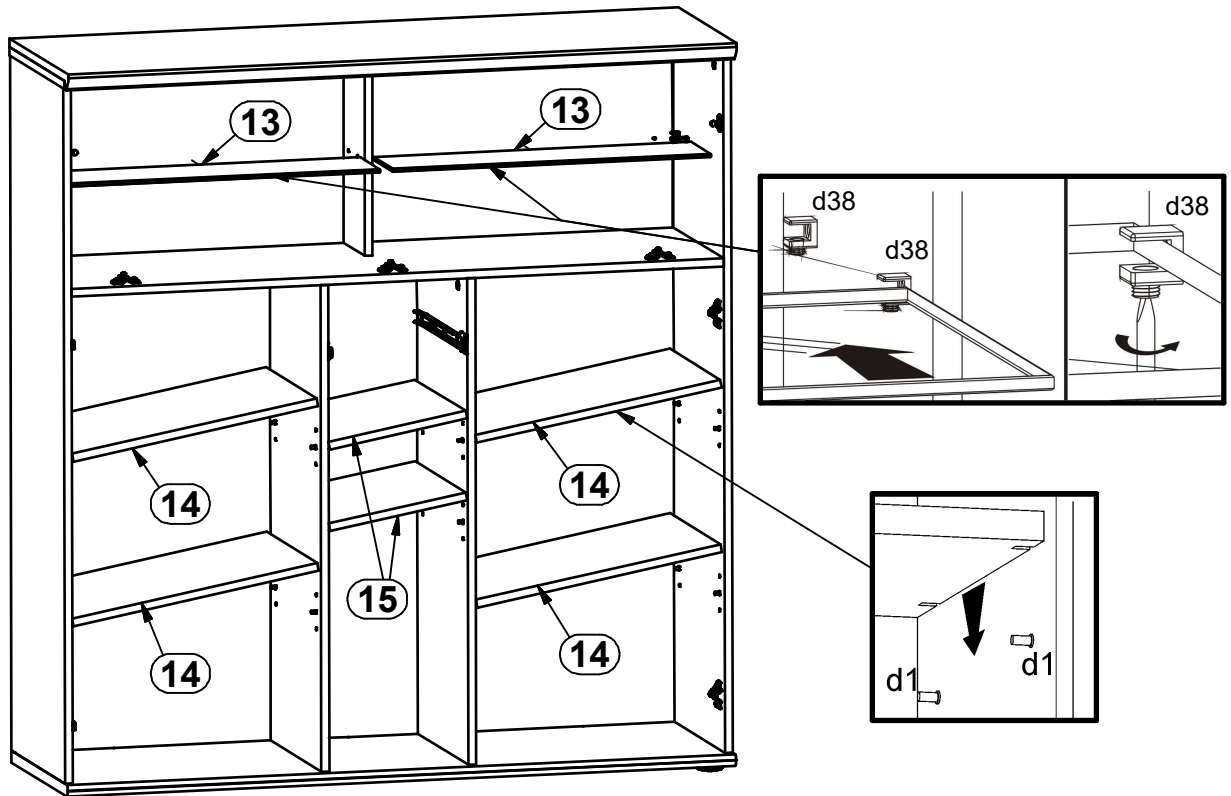
17



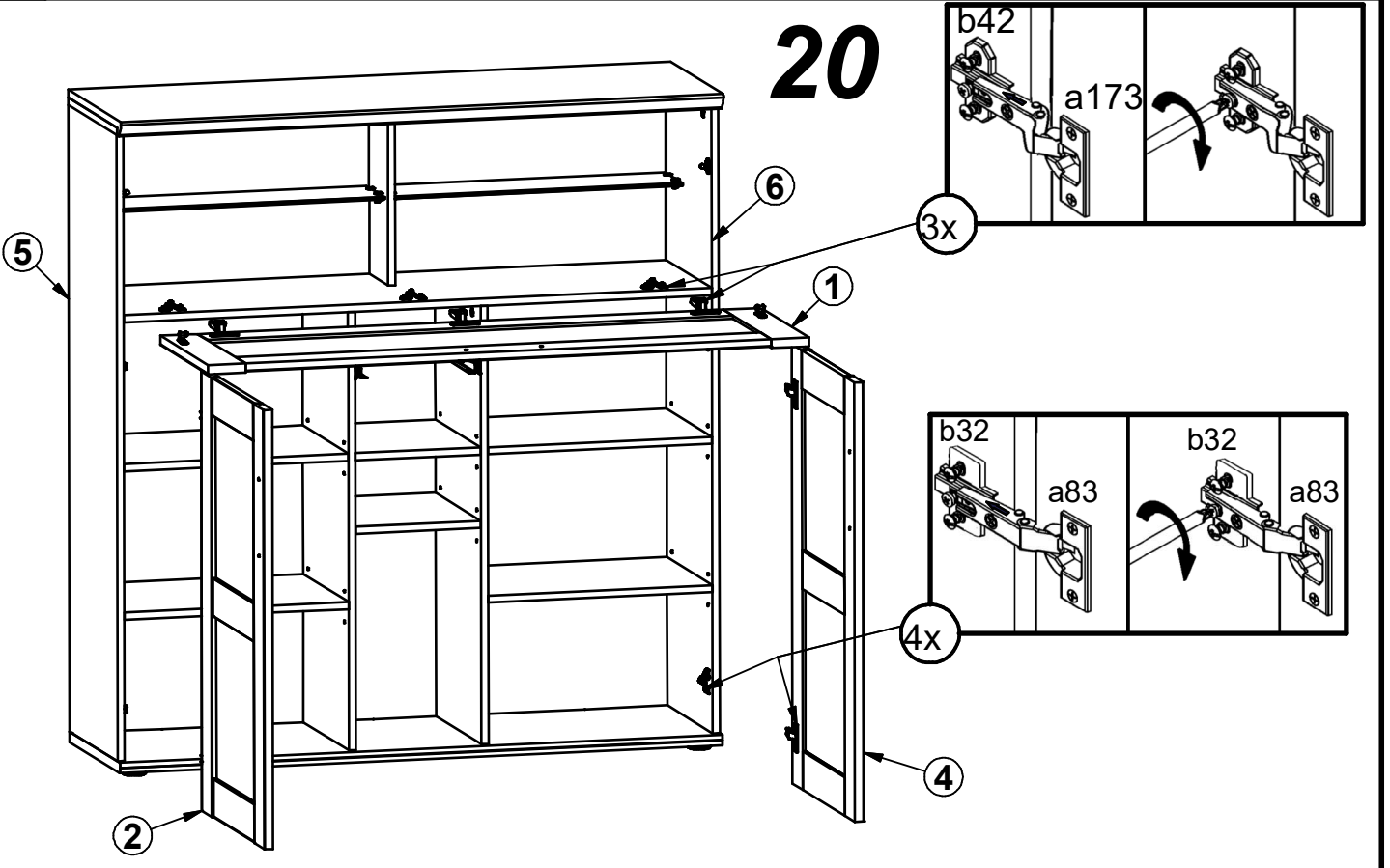
18



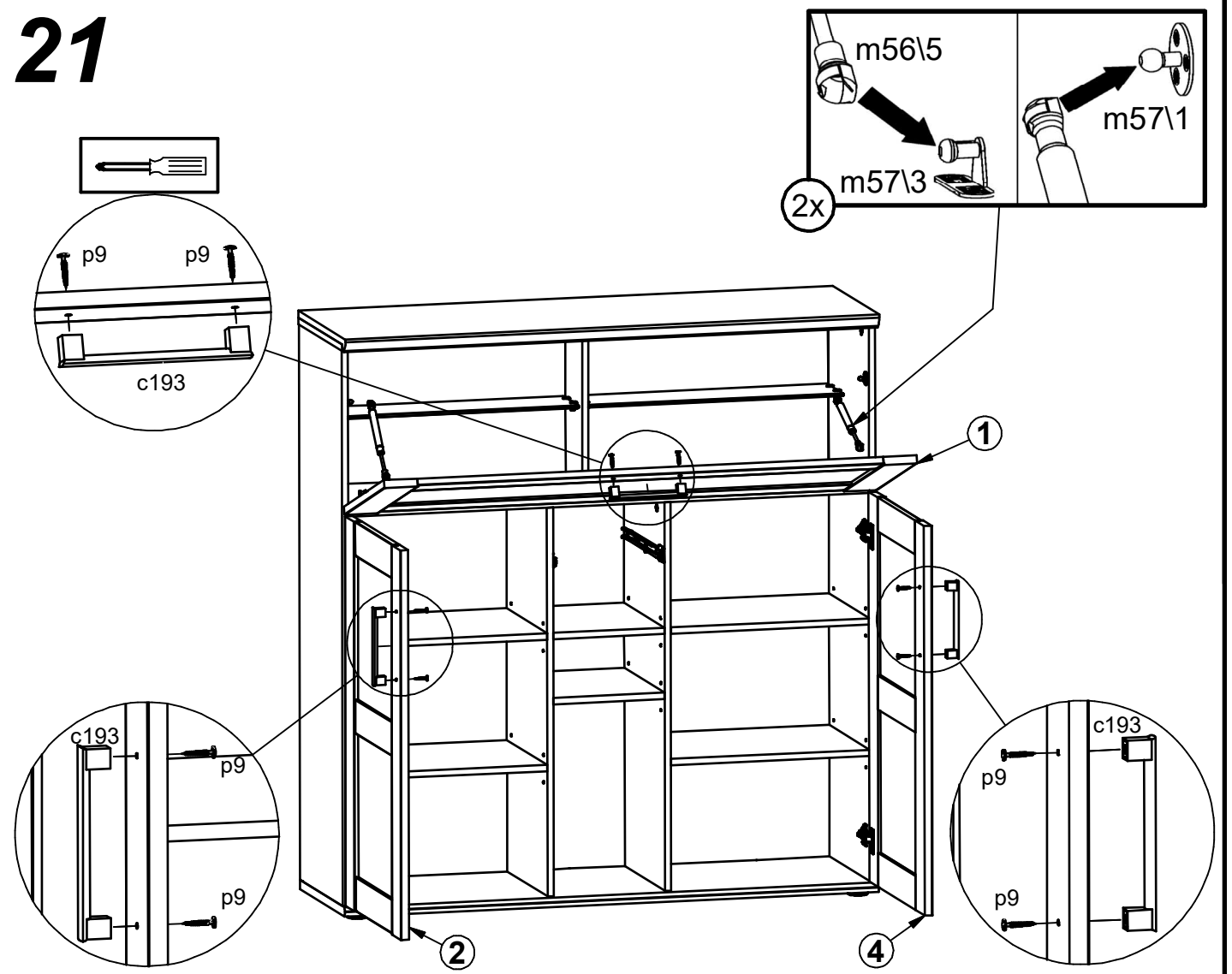
19



20

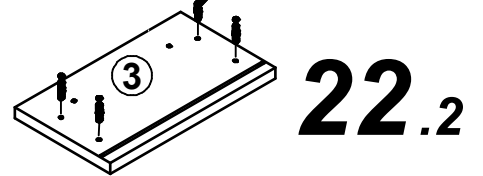
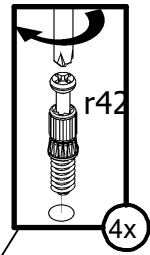
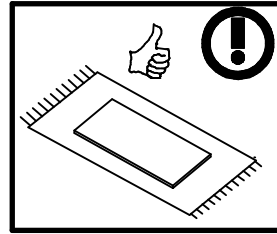
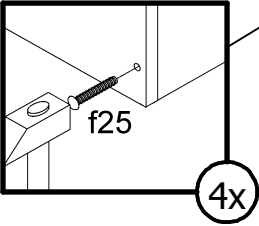
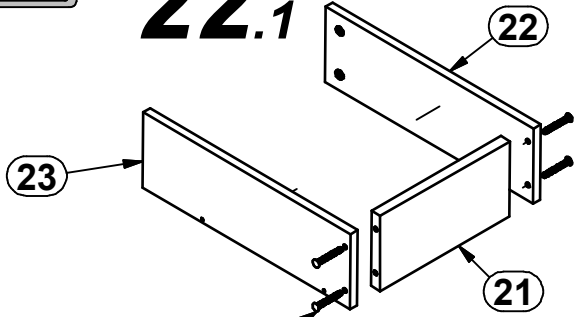


21

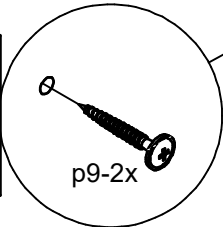
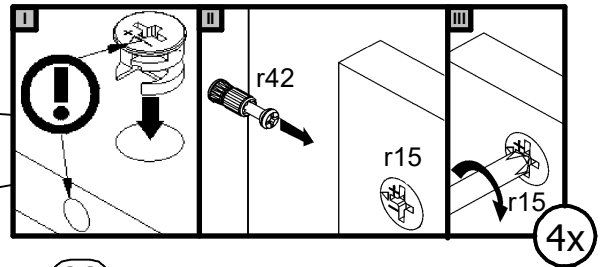
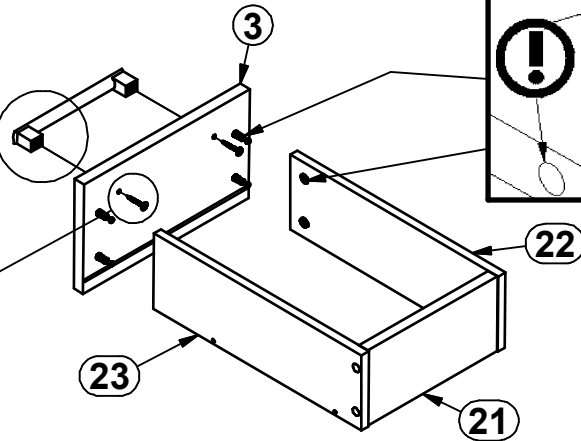
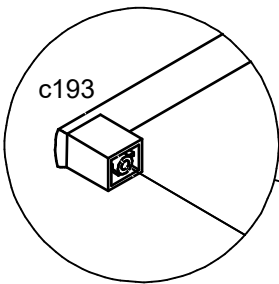




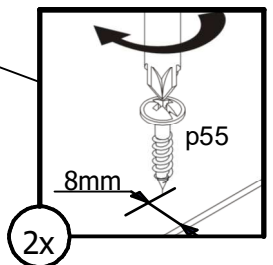
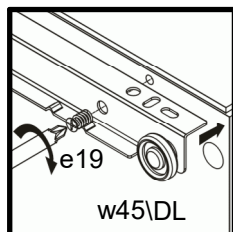
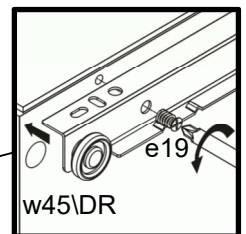
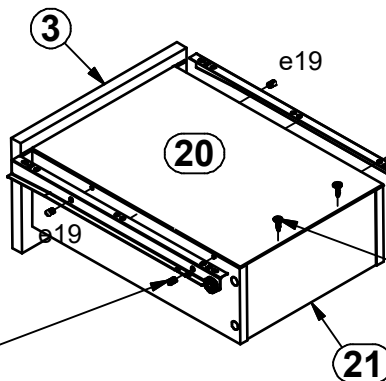
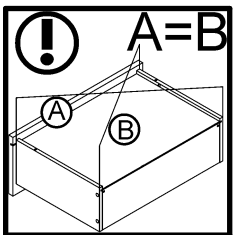
22.1



22.3



22.4



23

