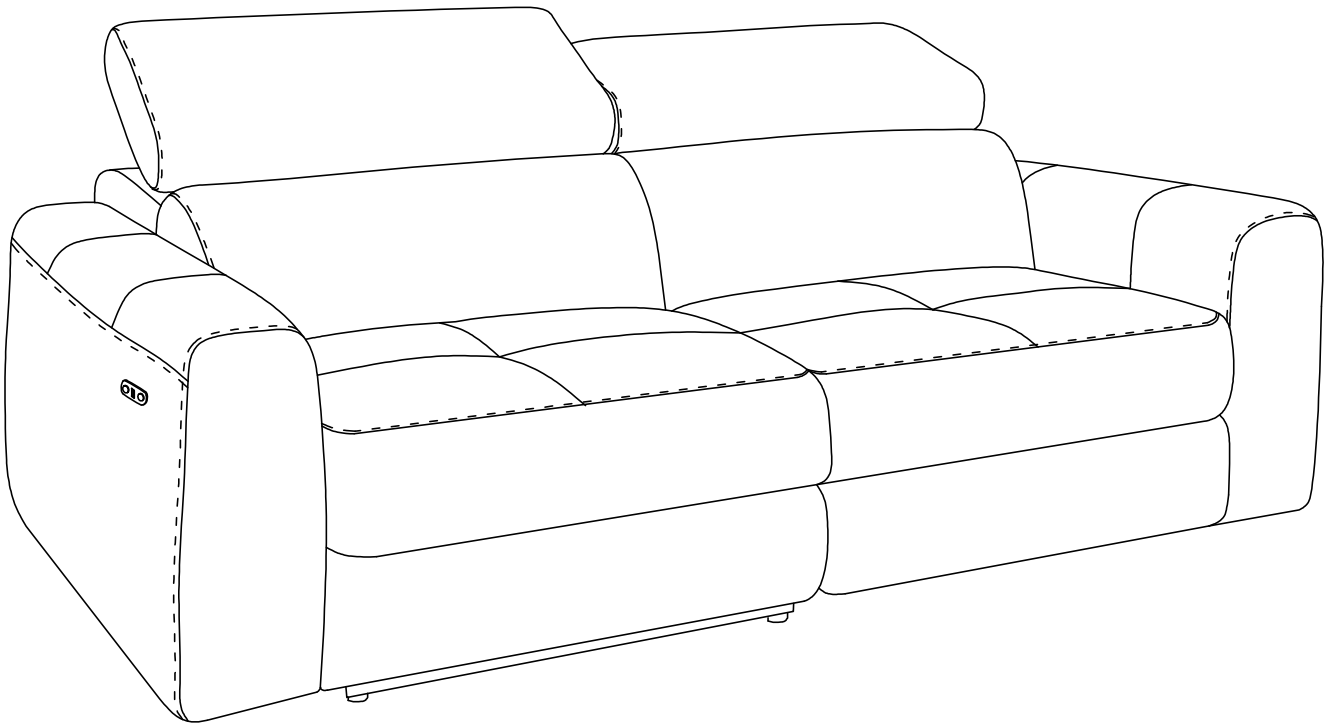
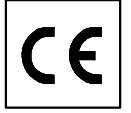
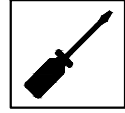
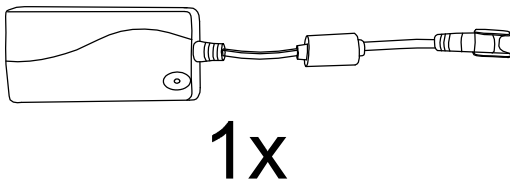
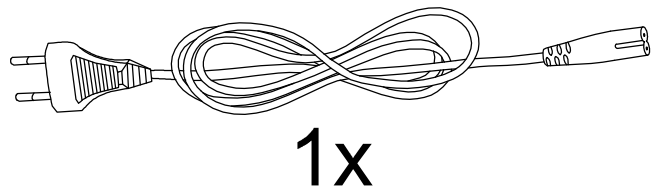
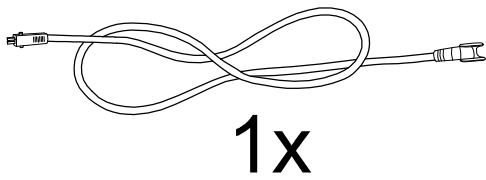
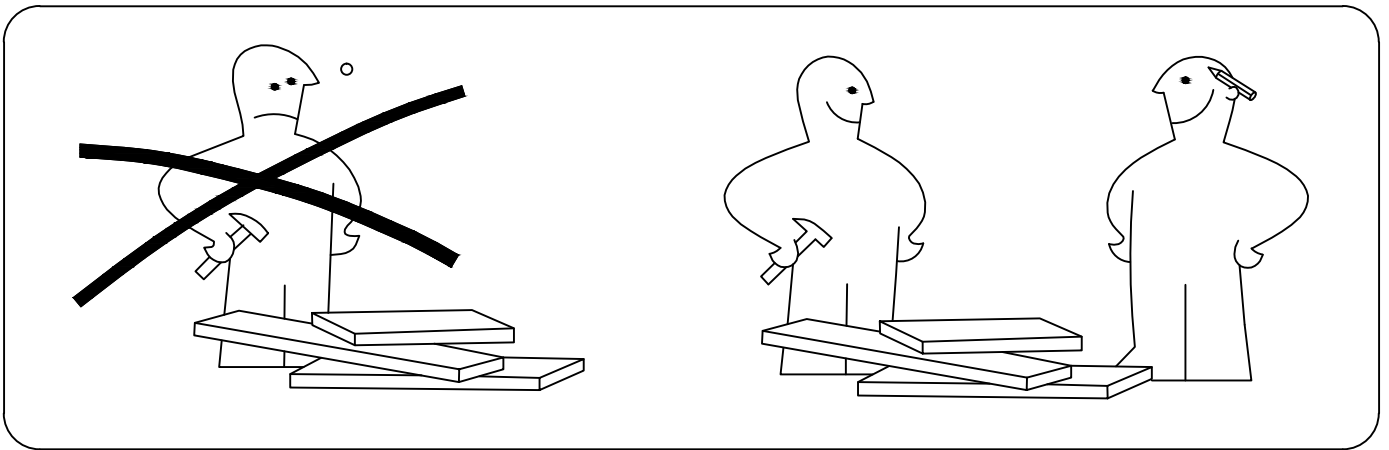
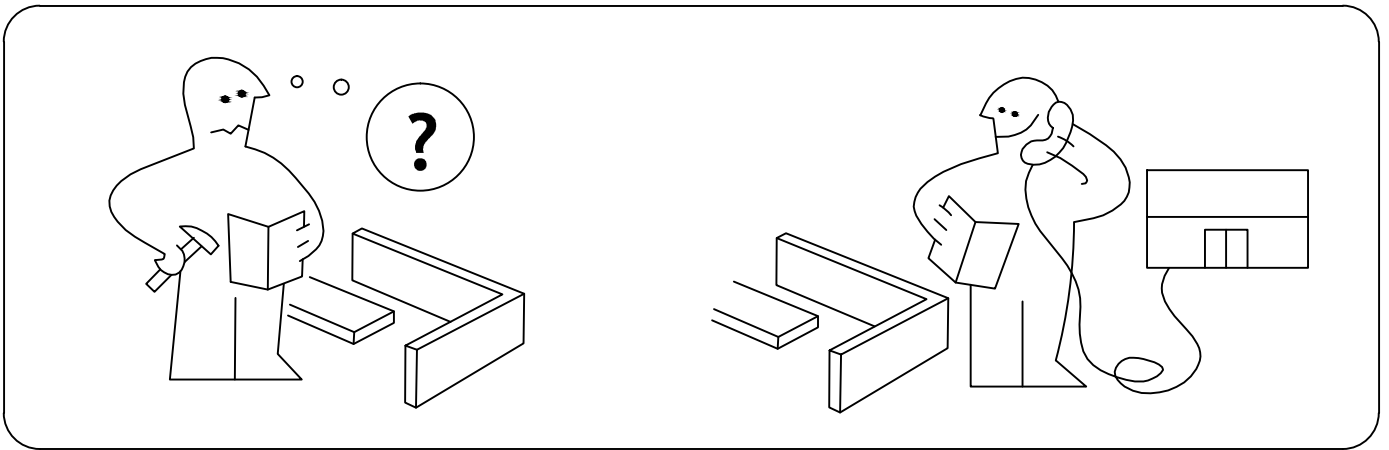
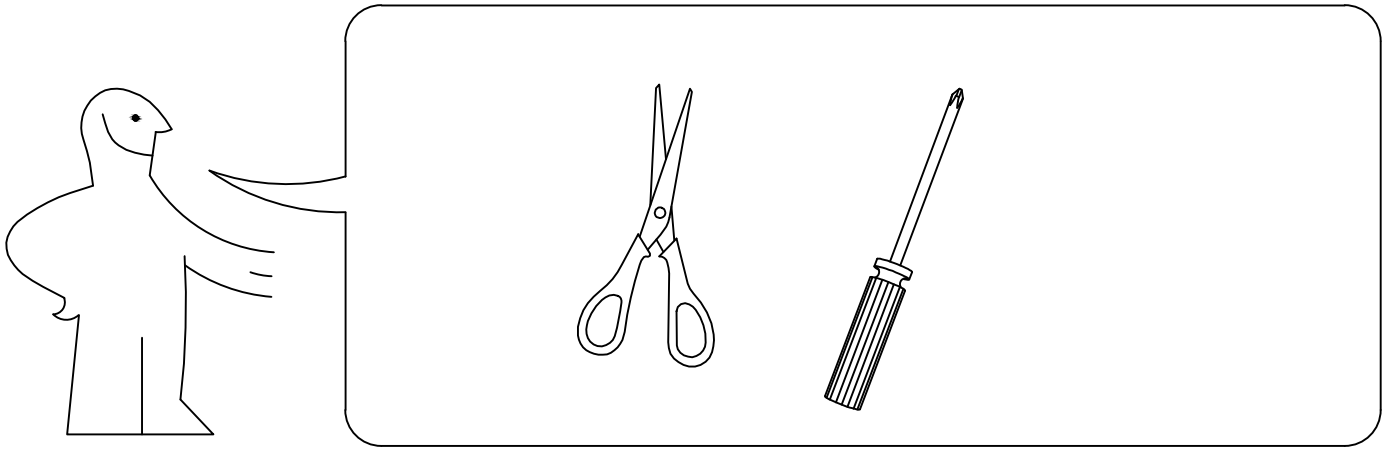
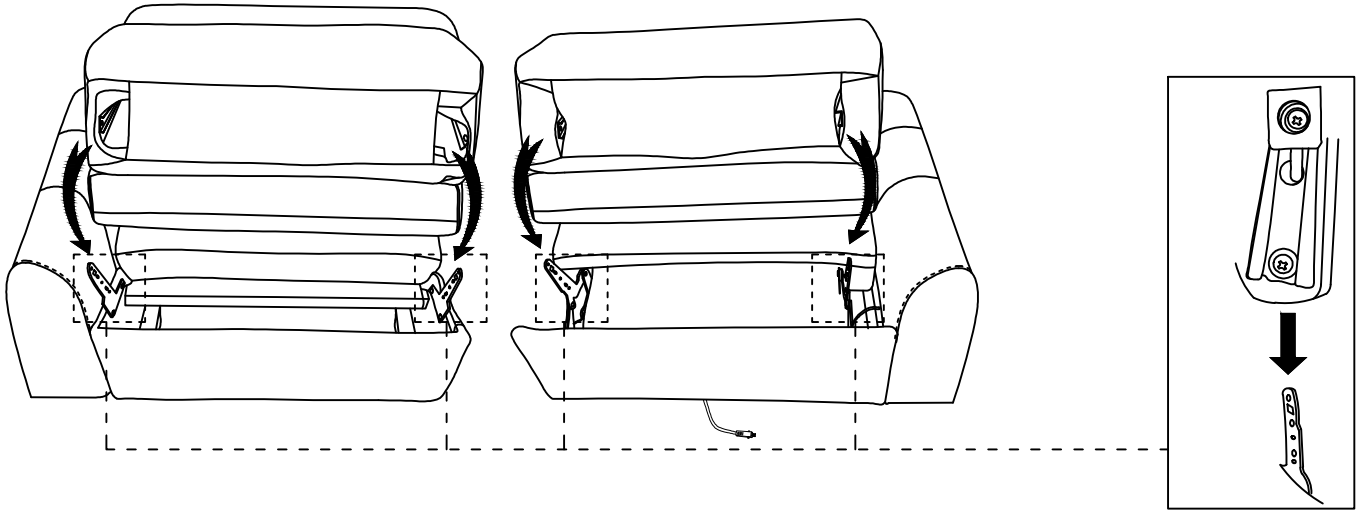


# CAPENA

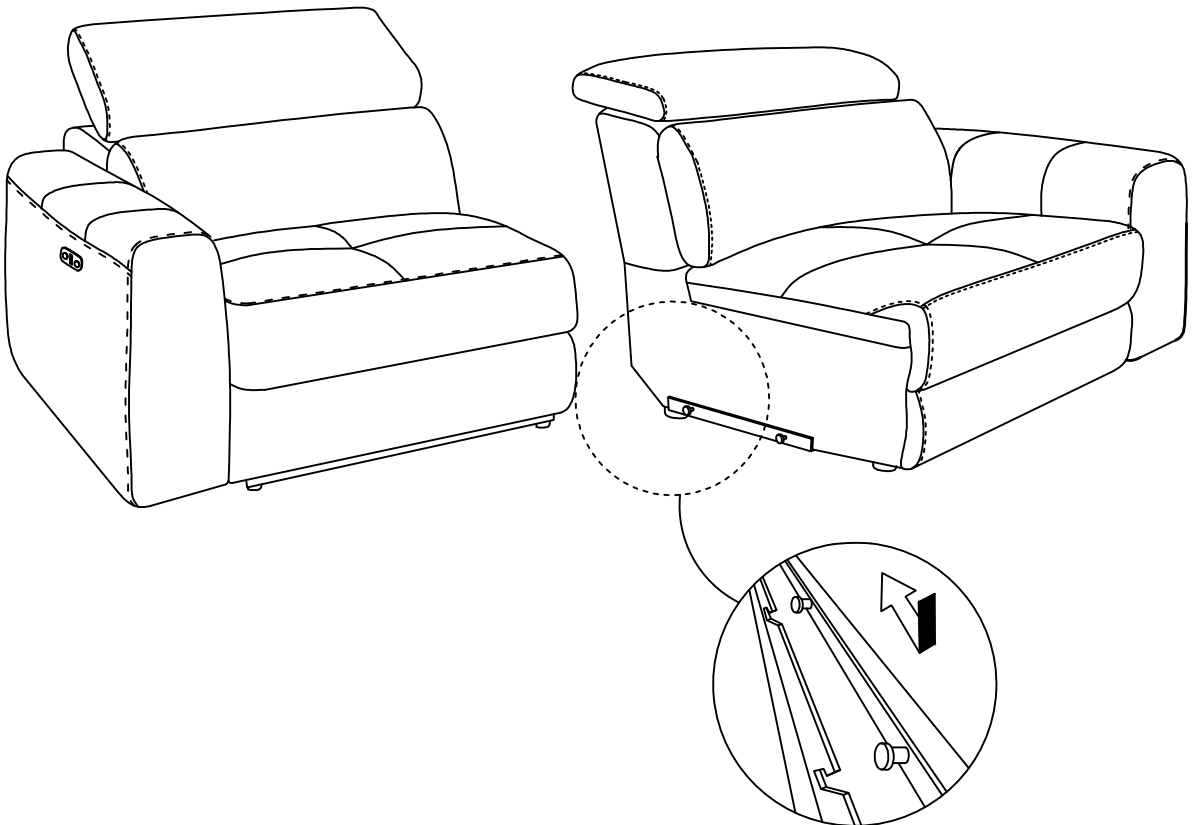




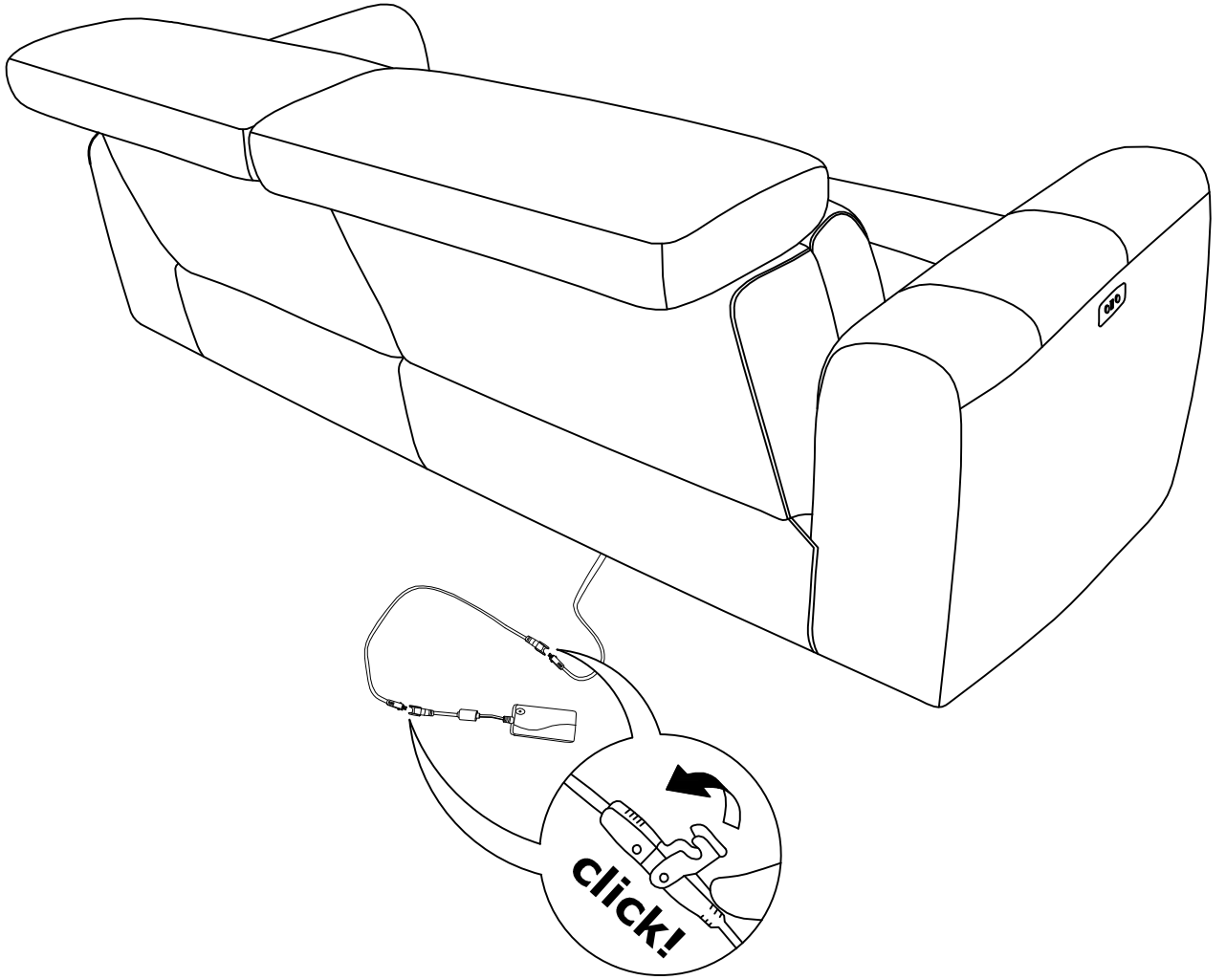
# 1



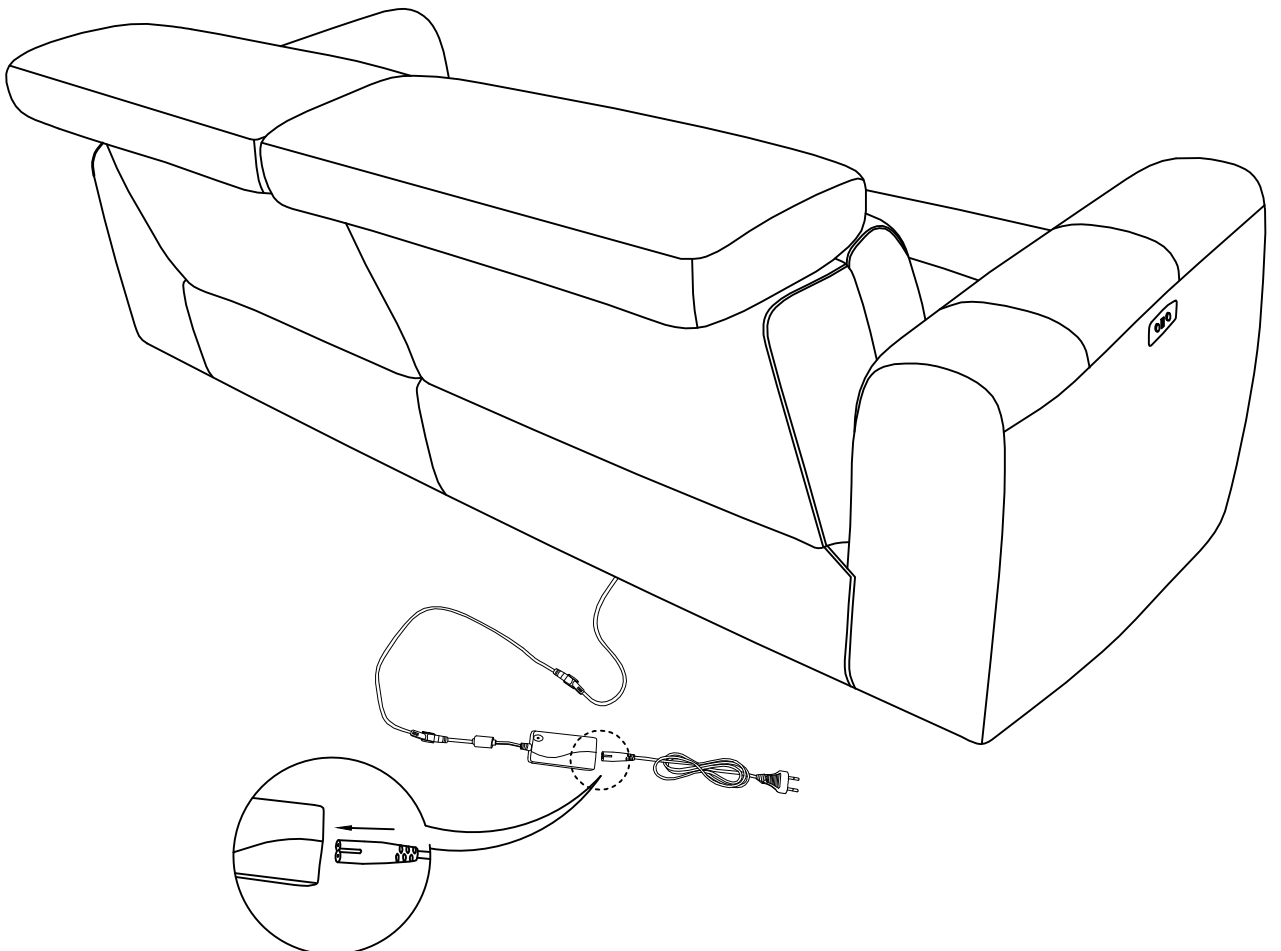
# 2



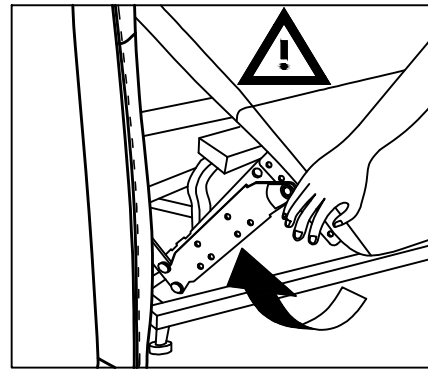
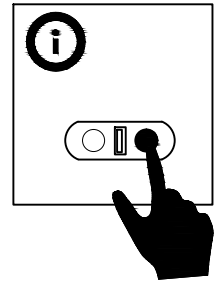
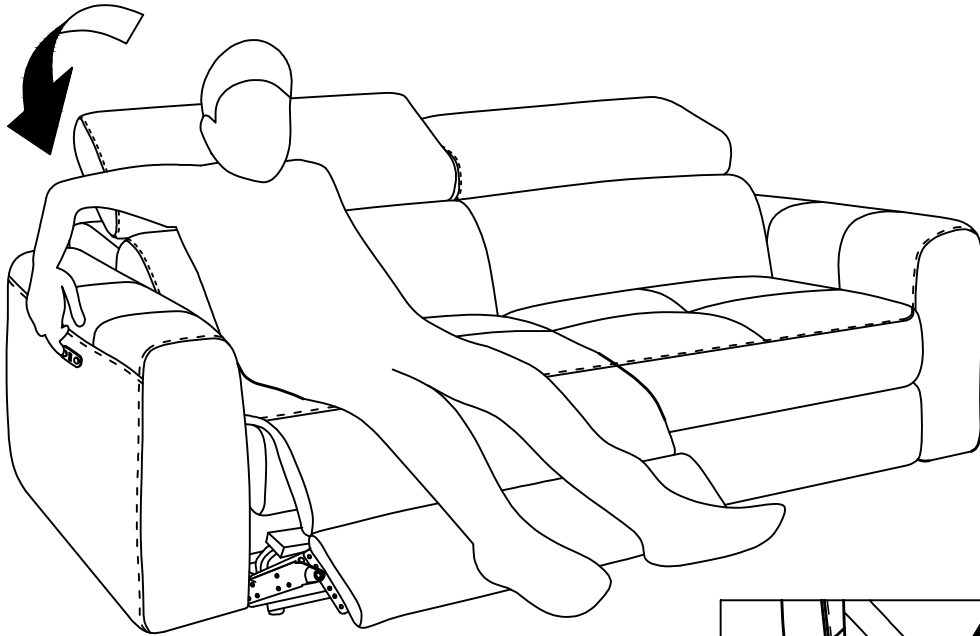
3



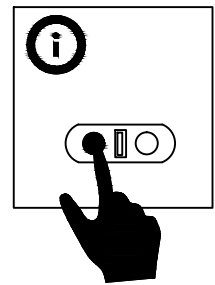
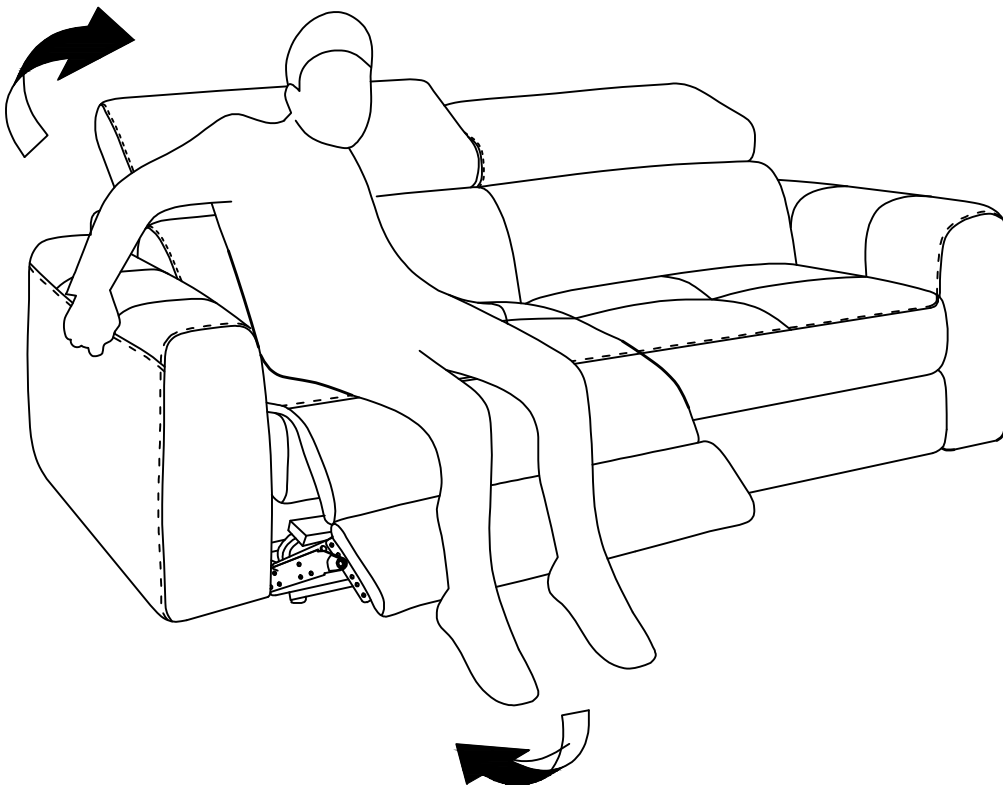
4



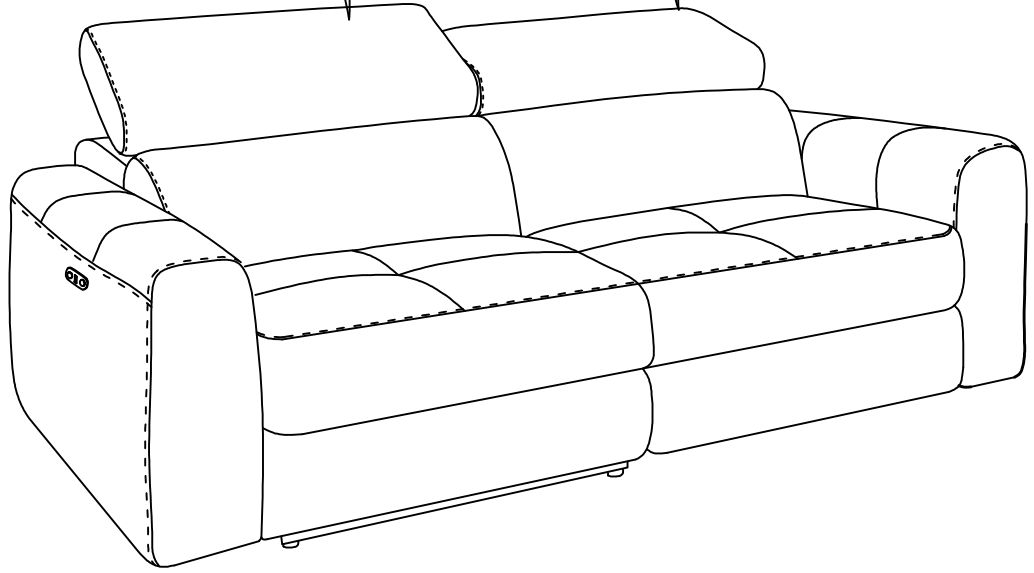
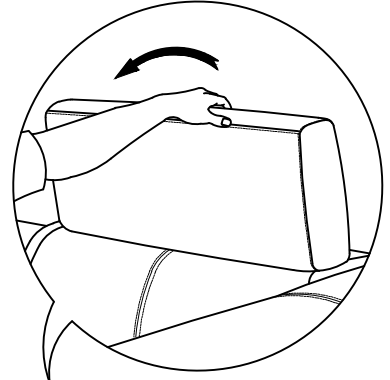
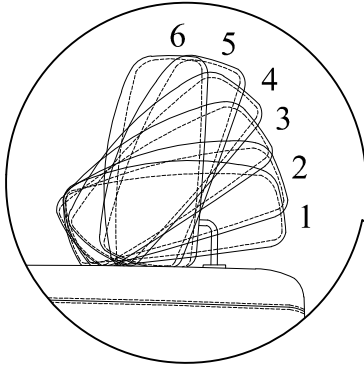
5

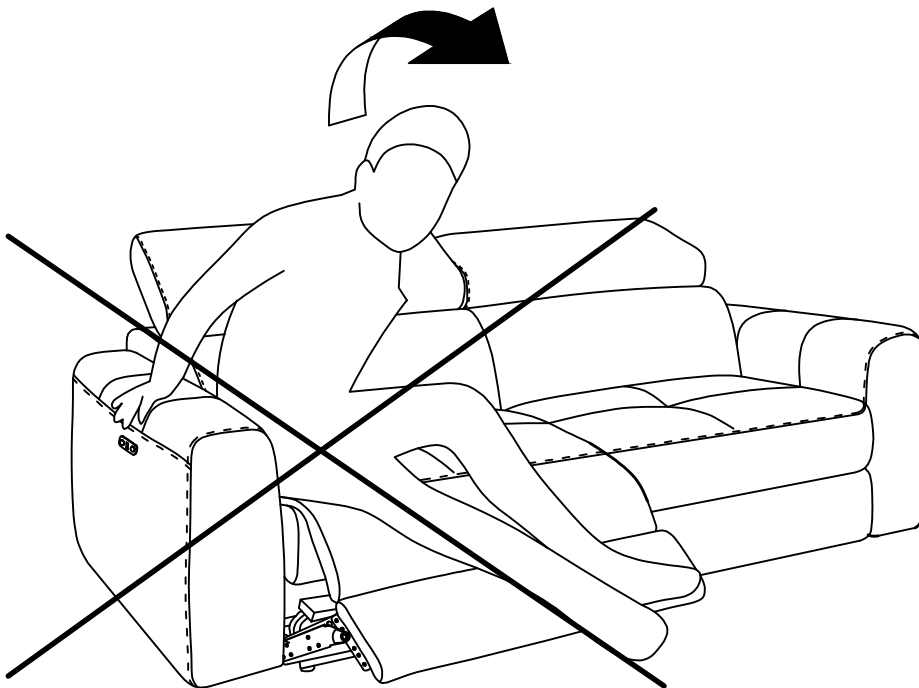
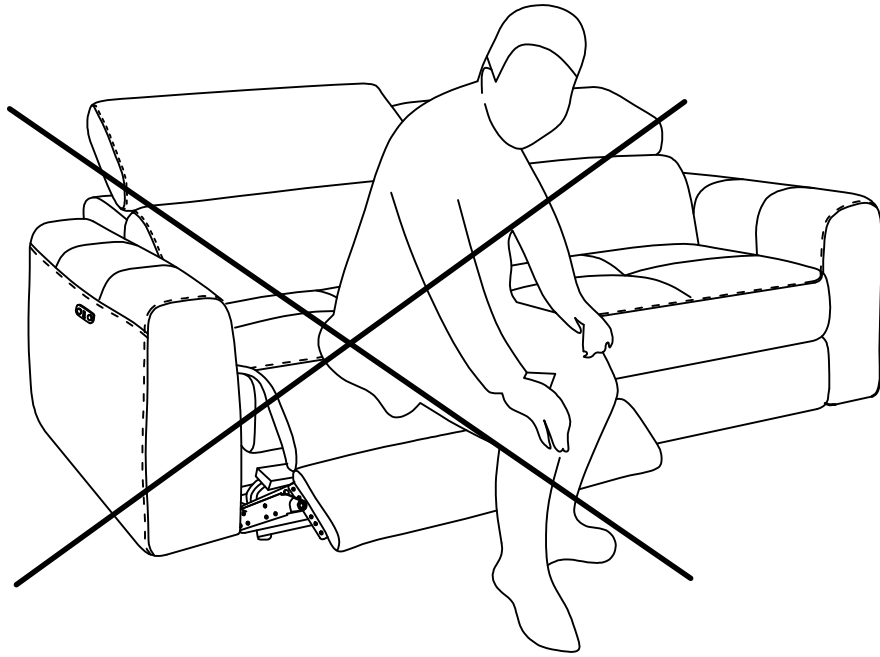


6

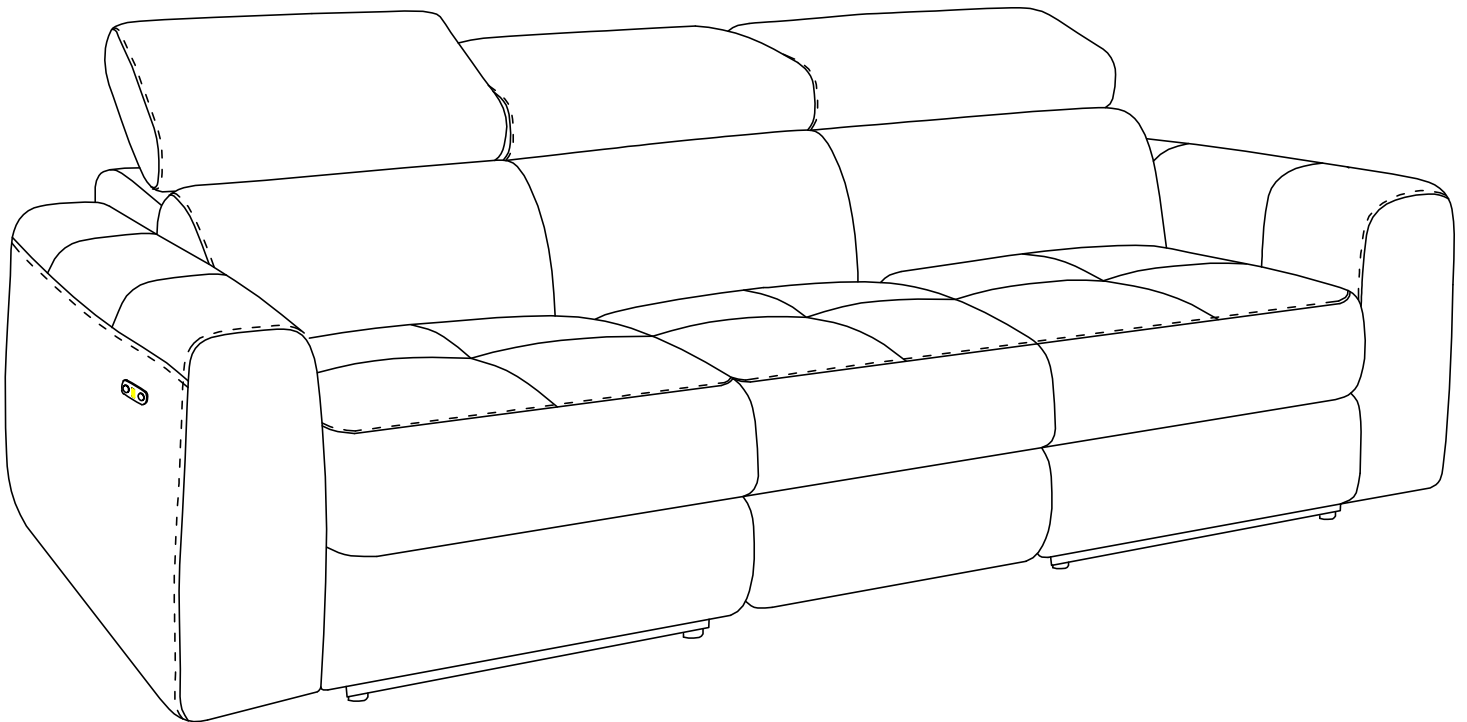
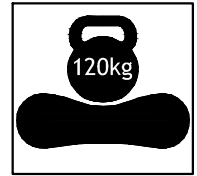
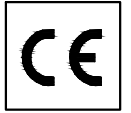


7

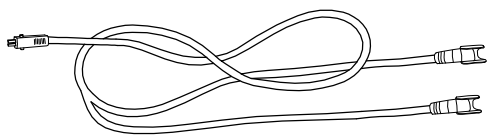
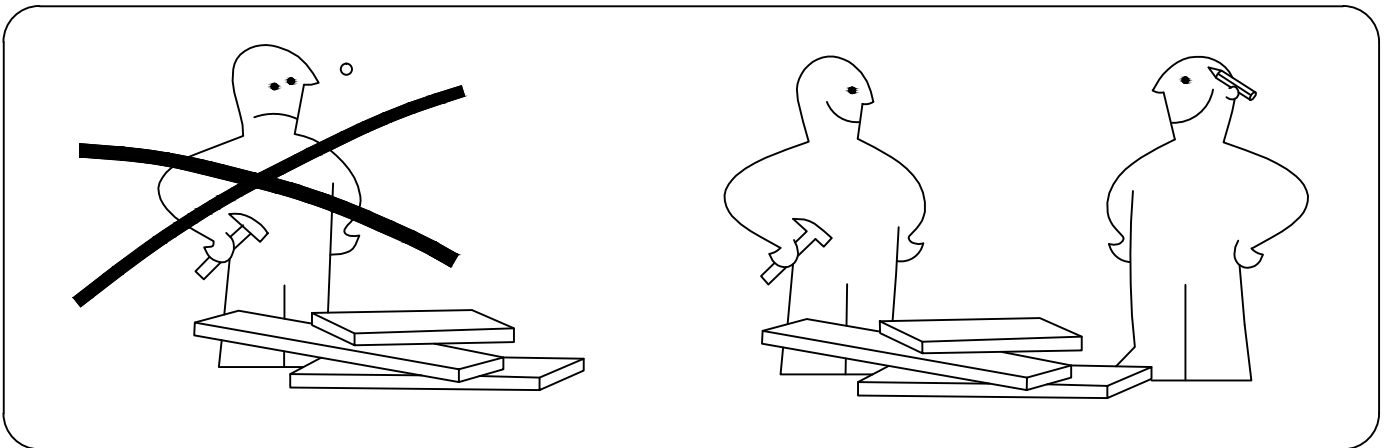
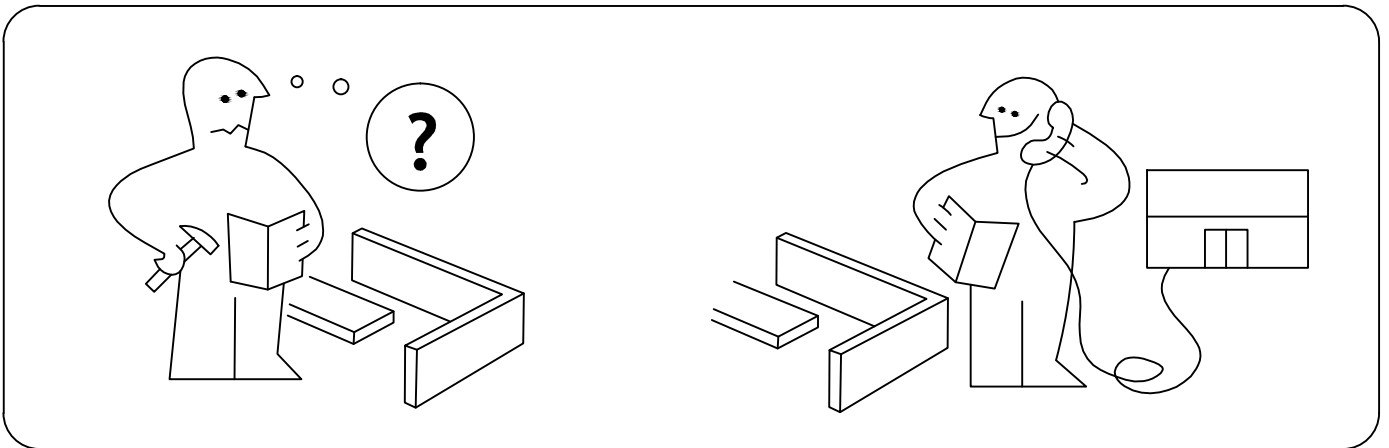
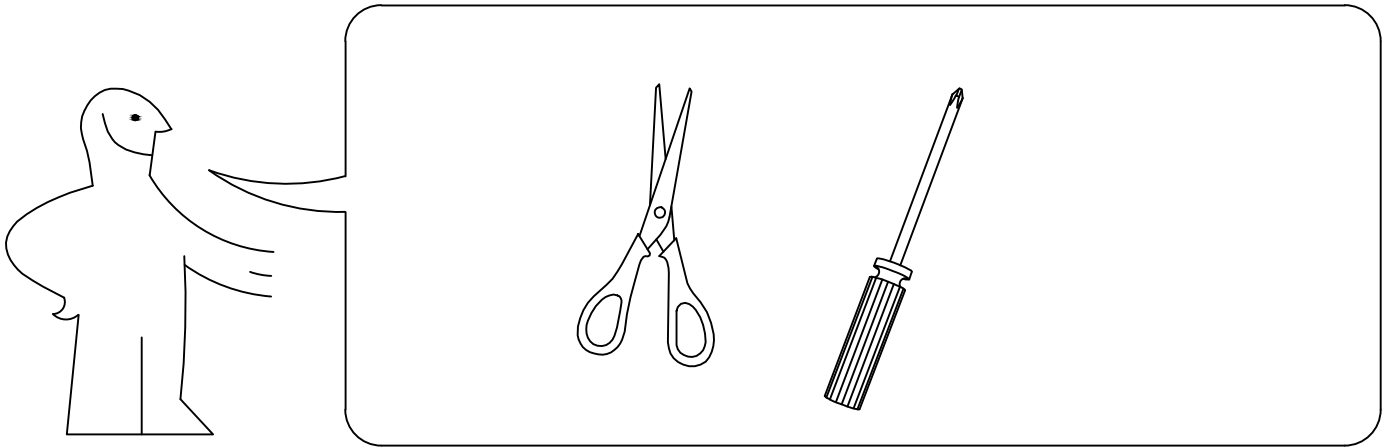




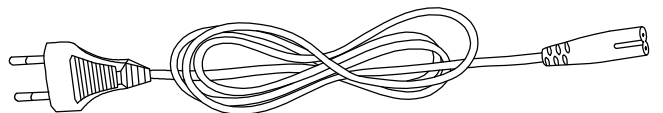
# CAPENA



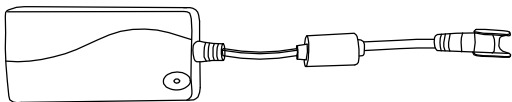




1x

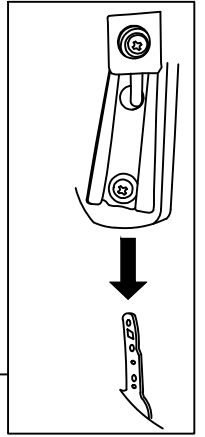
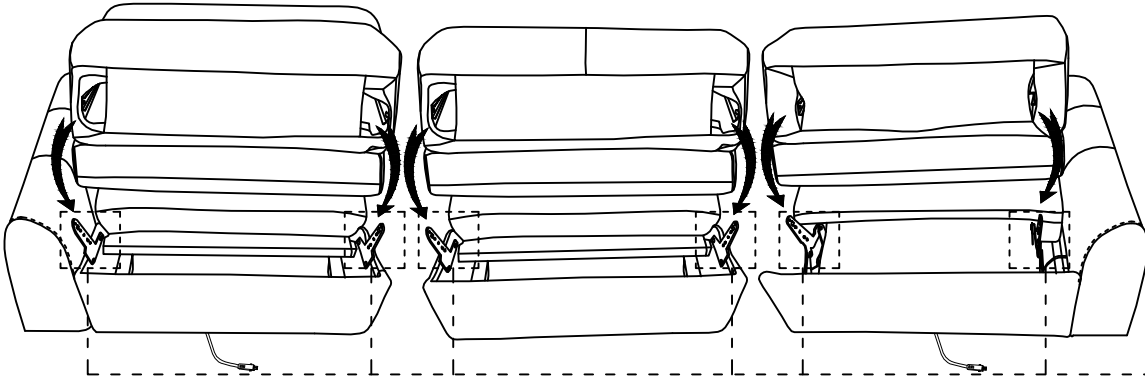


1x

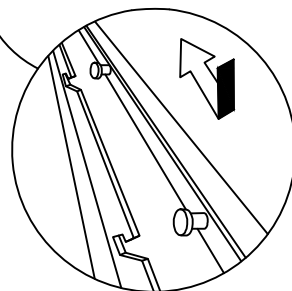
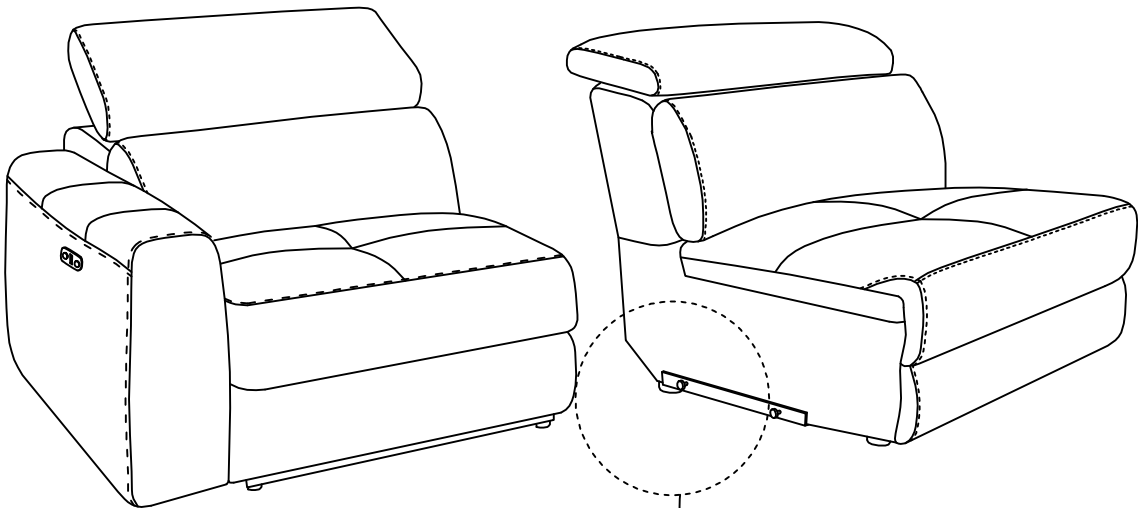


1x

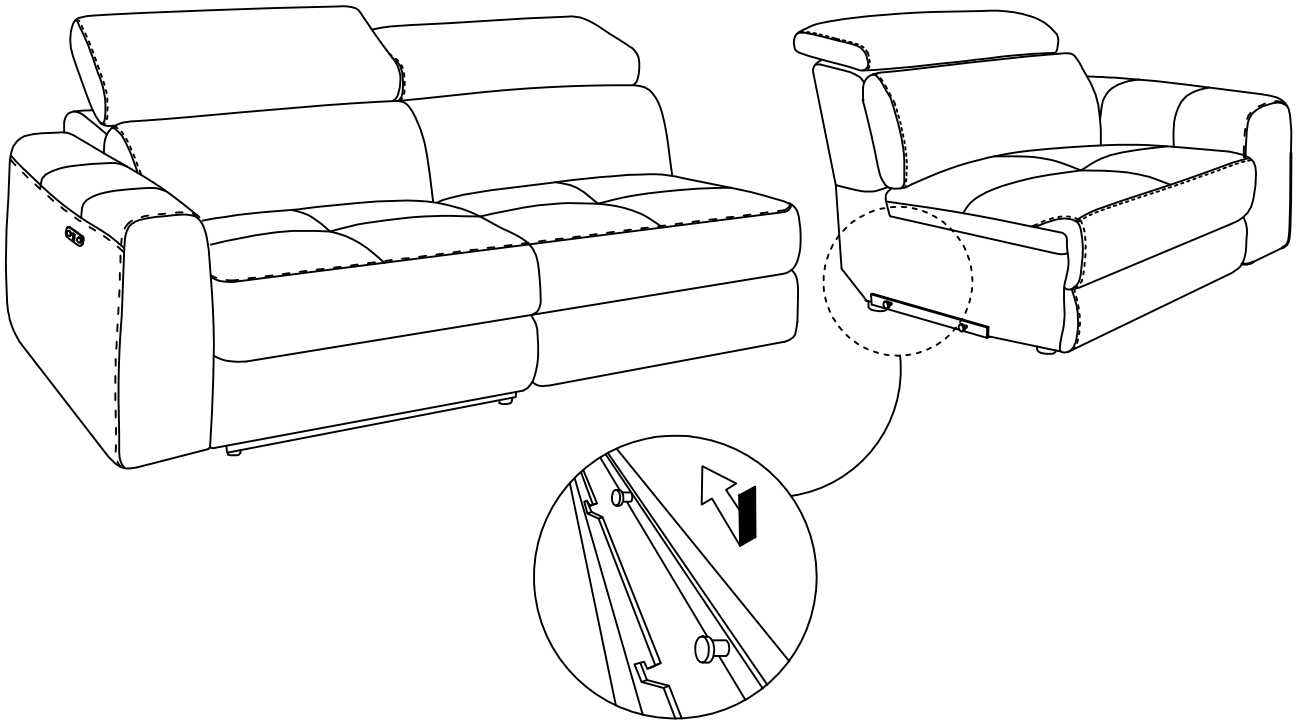
# 1



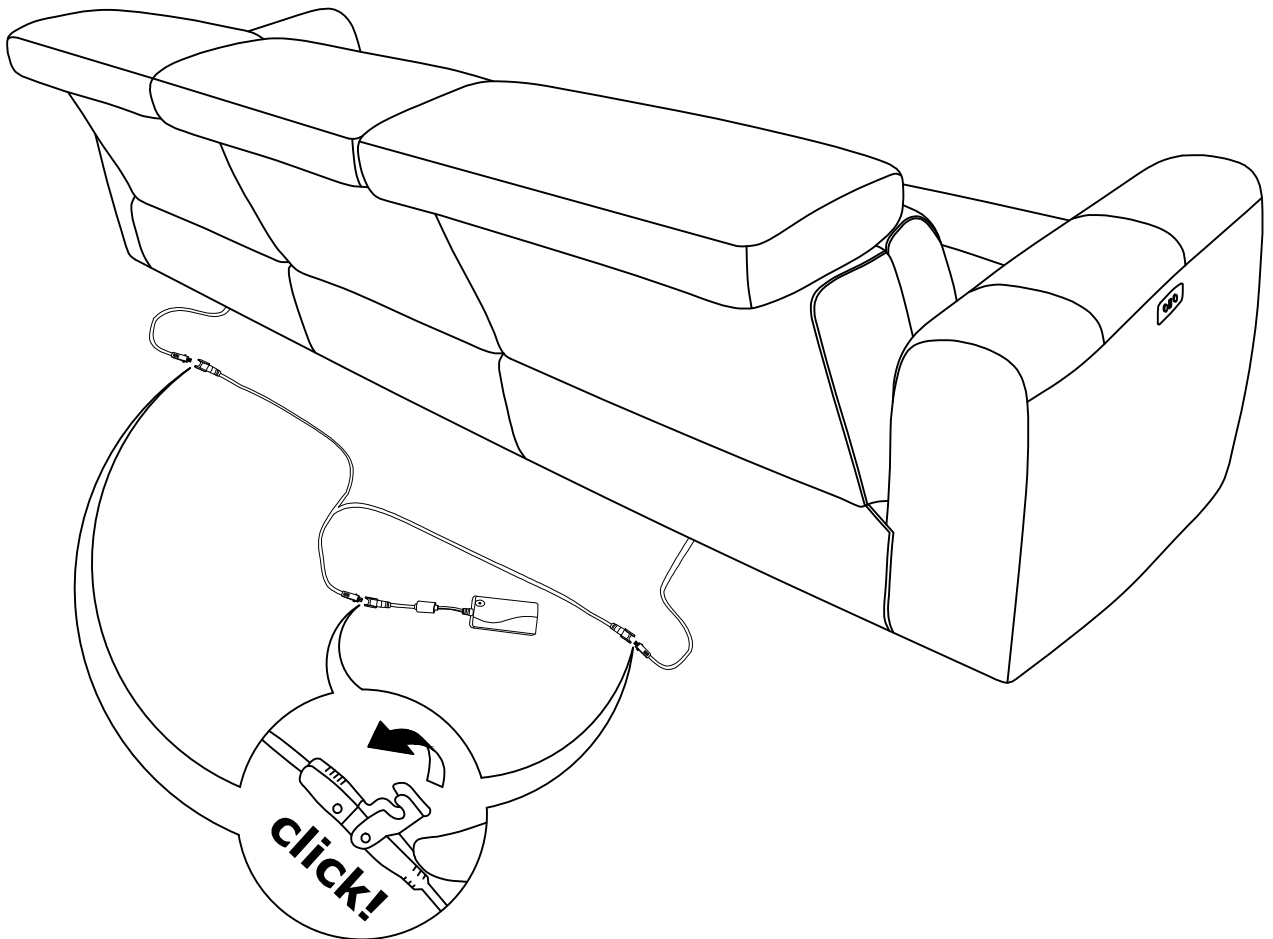
# 2



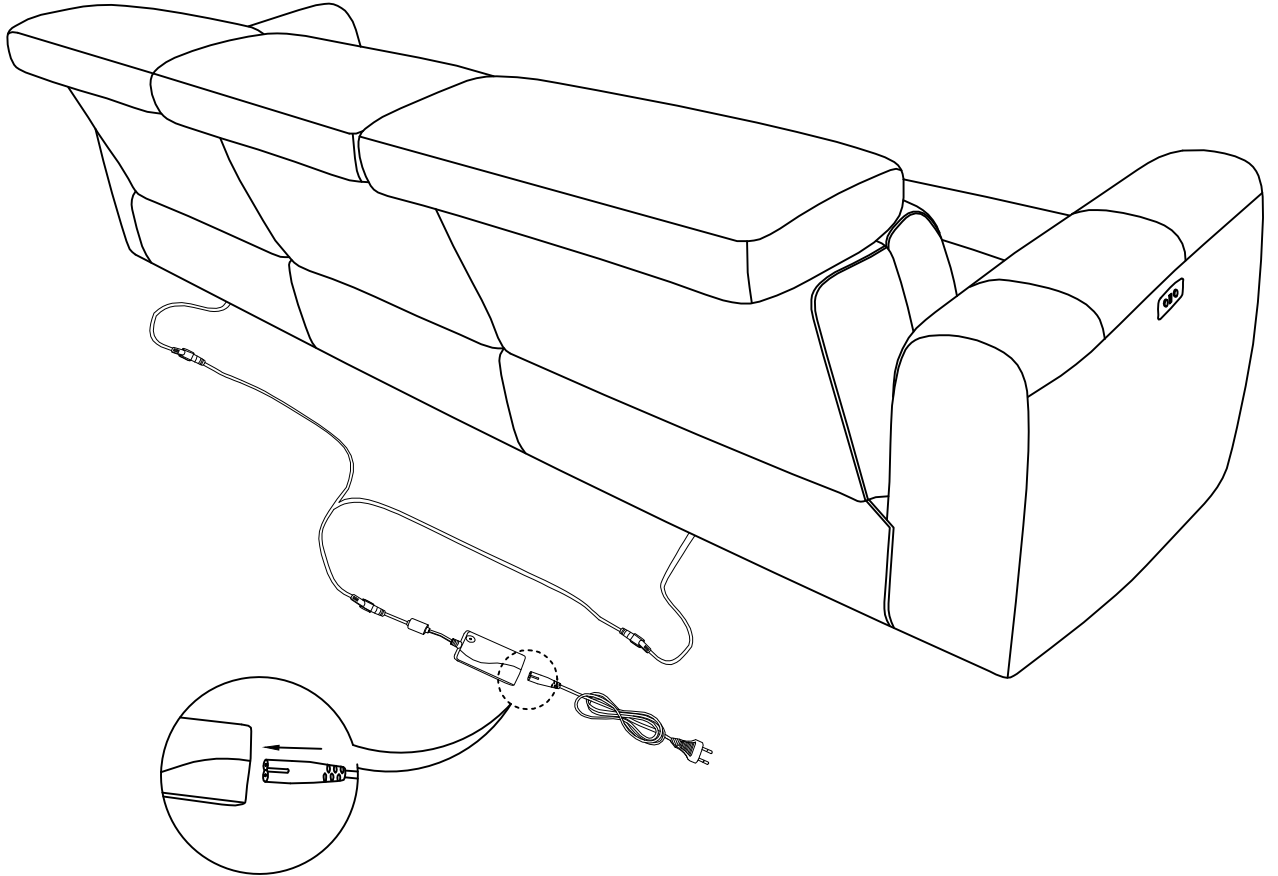
# 3



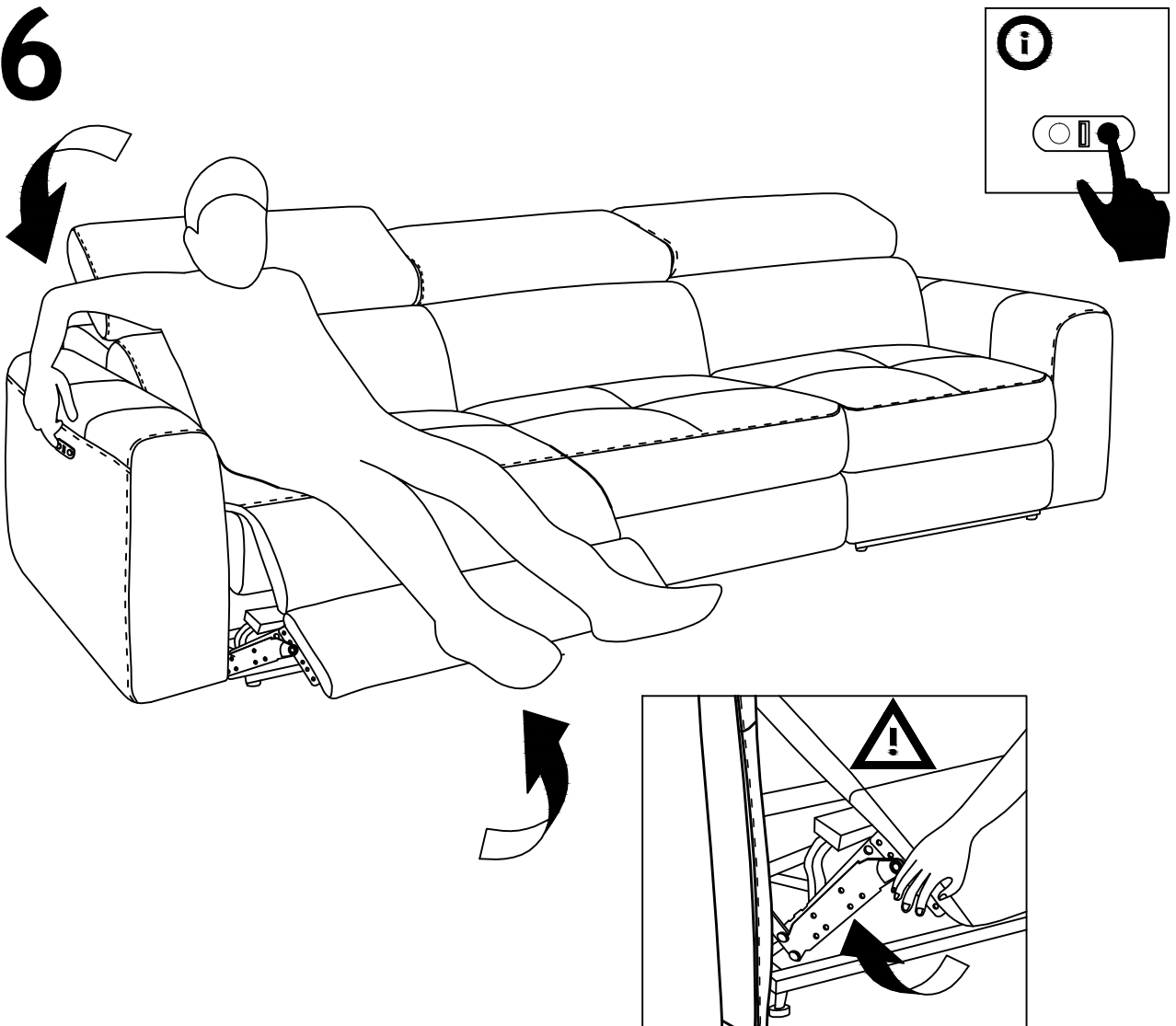
# 4



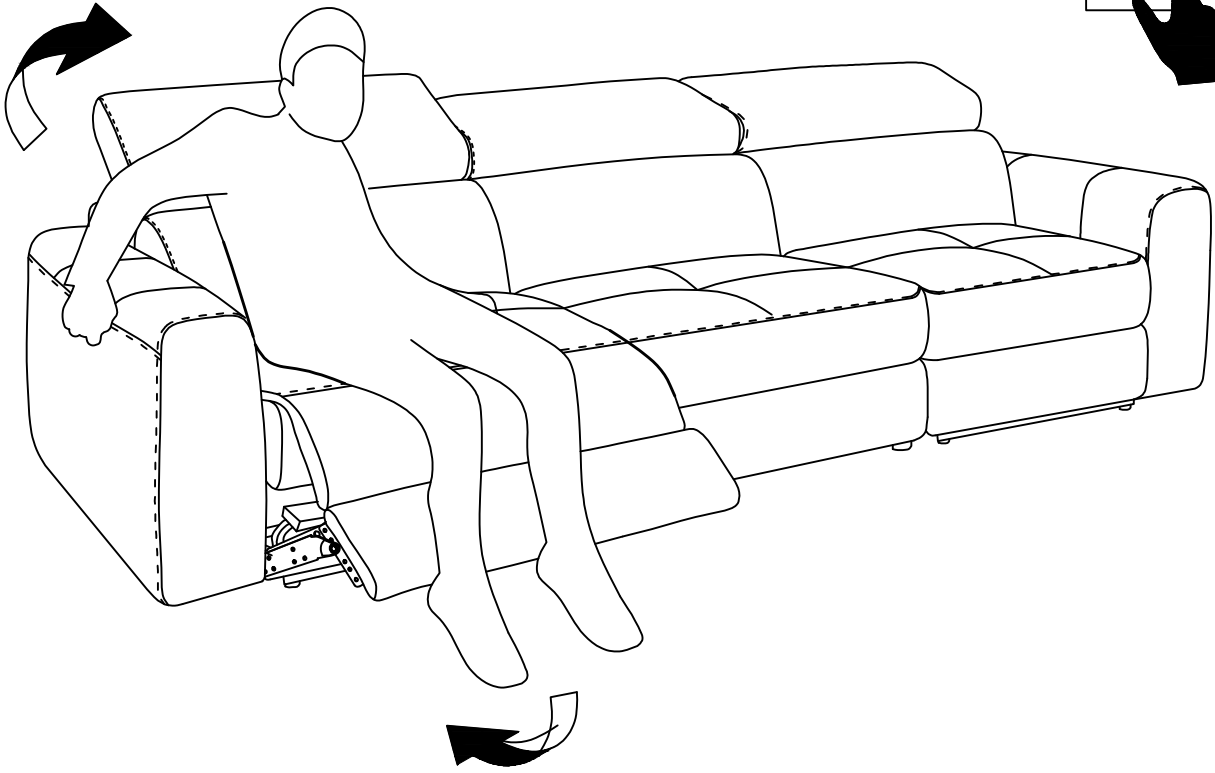
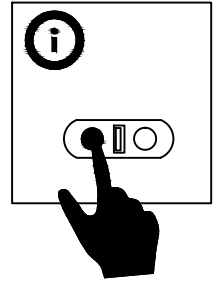
# 5



# 6



# 7



# 8

