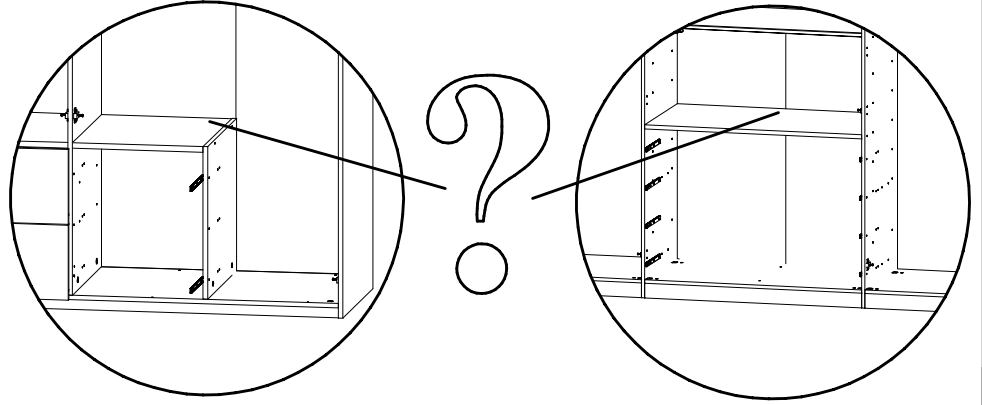
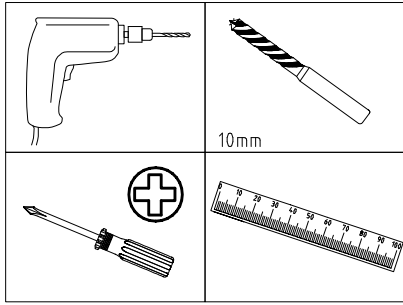
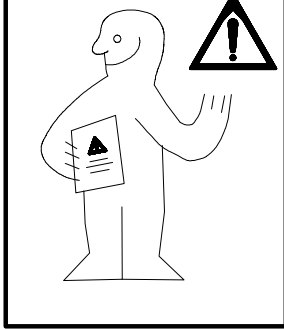
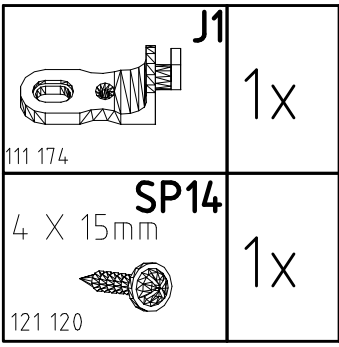
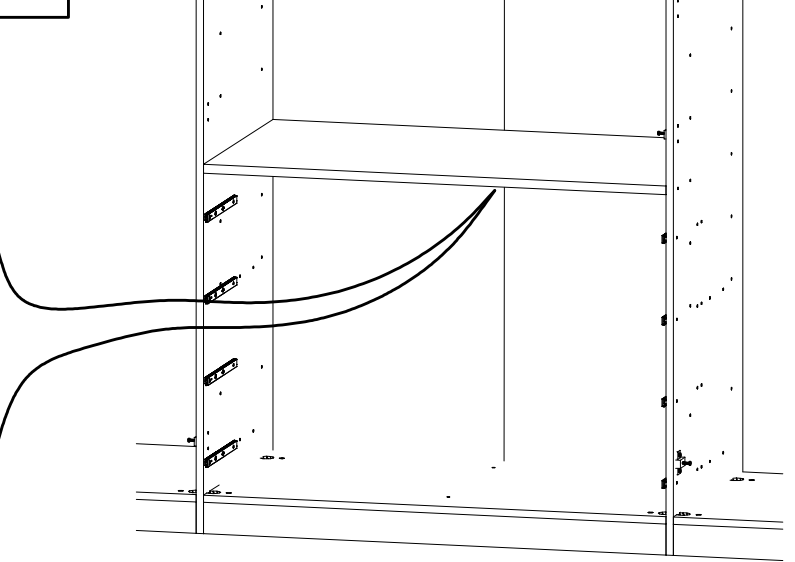
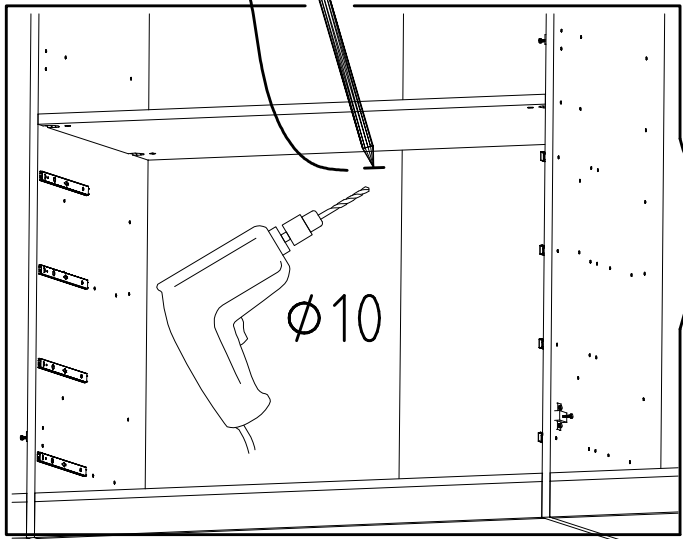
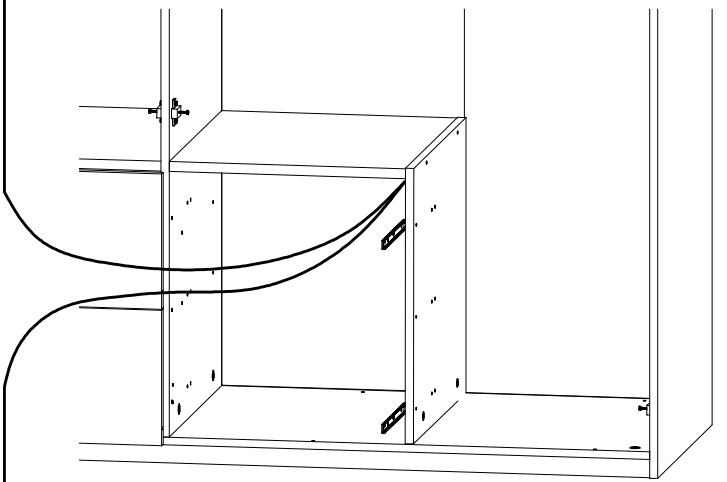
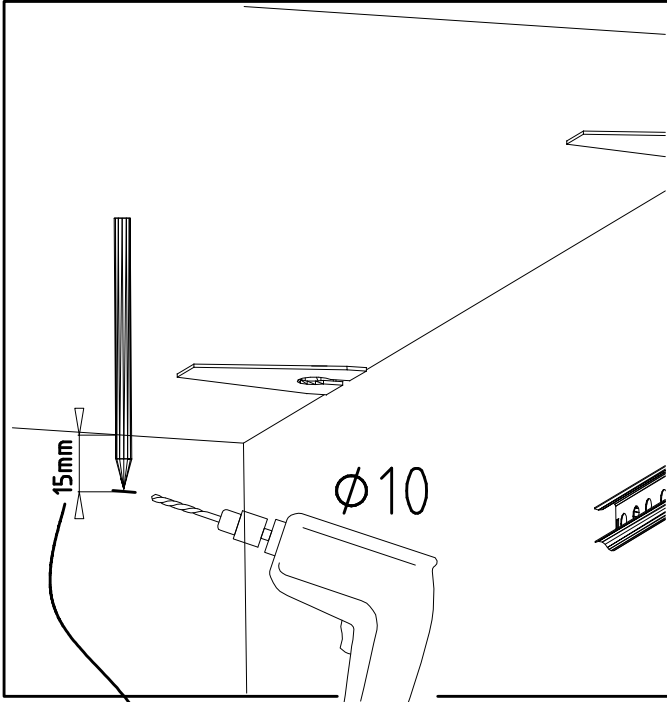


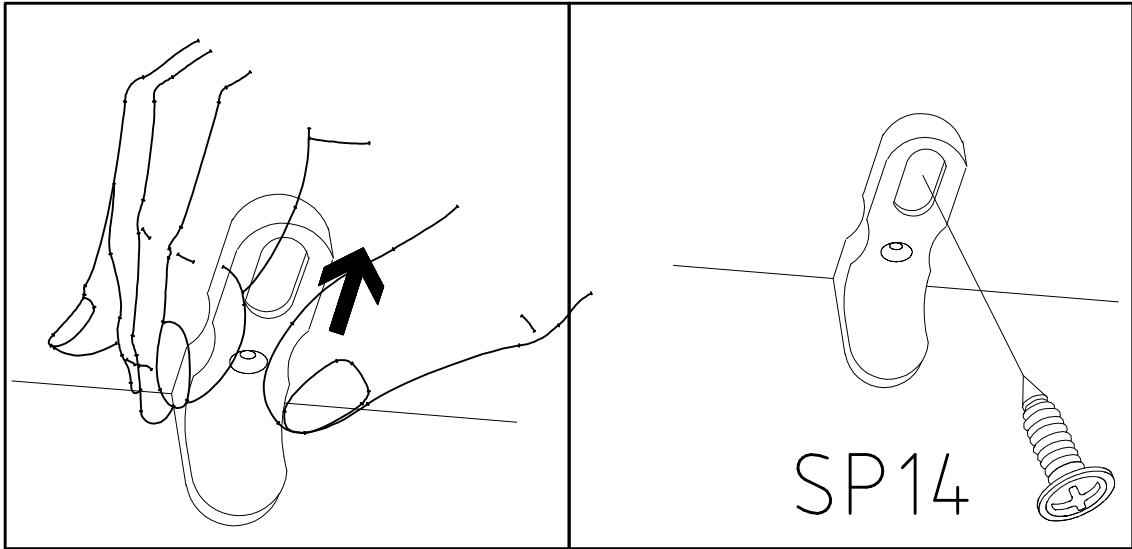
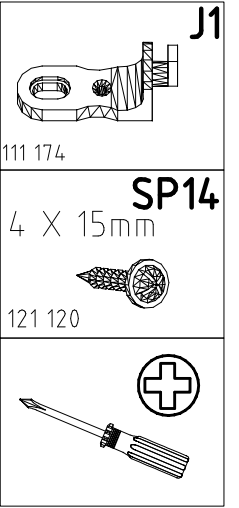
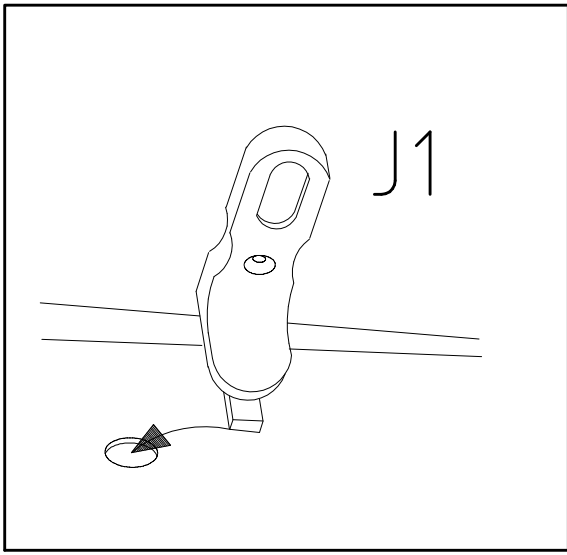
980511



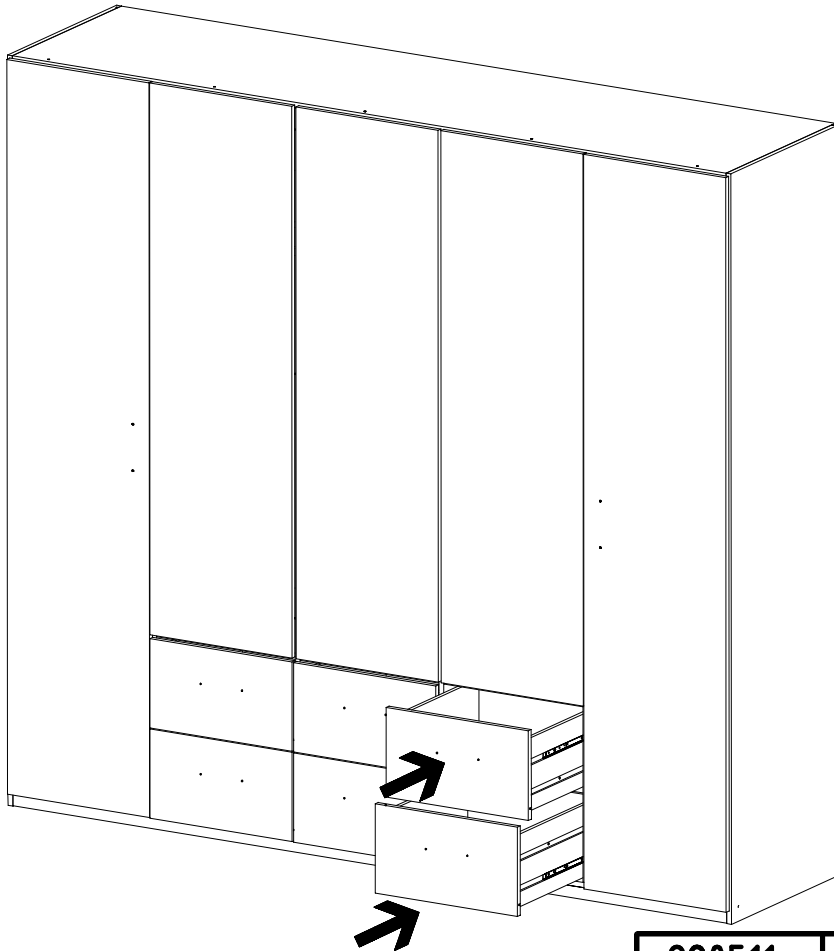
1



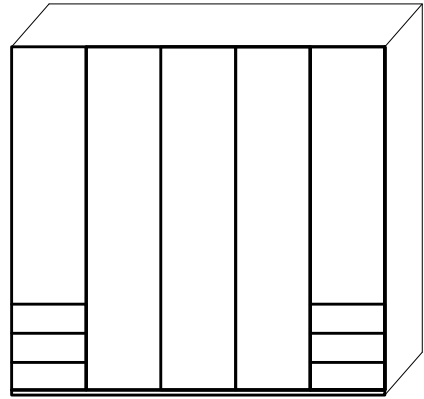
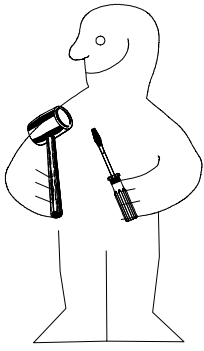
2



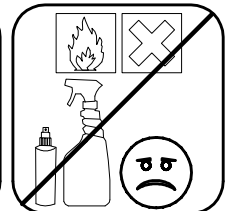
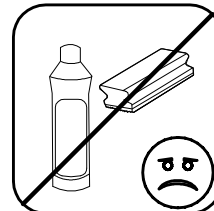
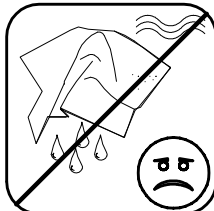
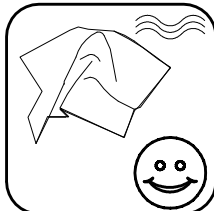
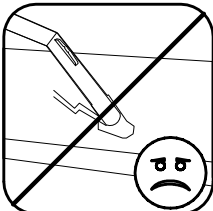
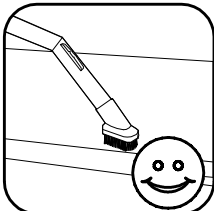
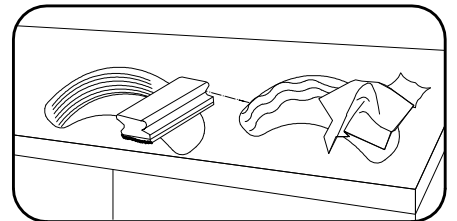
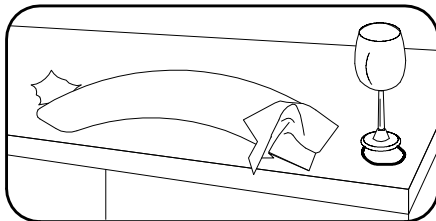
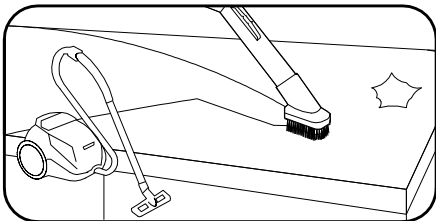
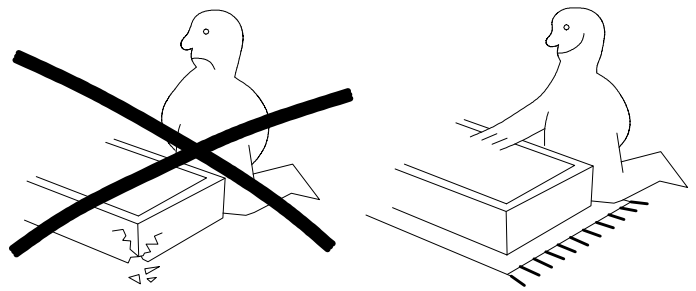
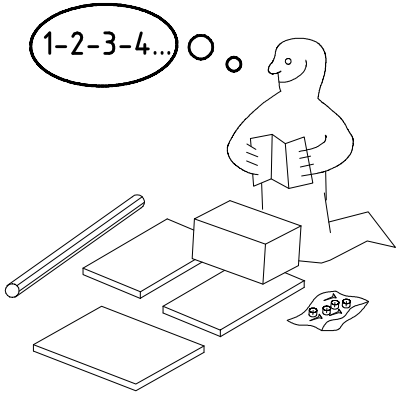
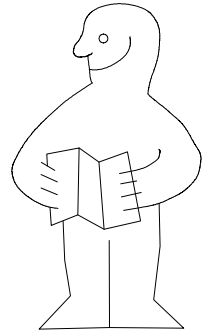
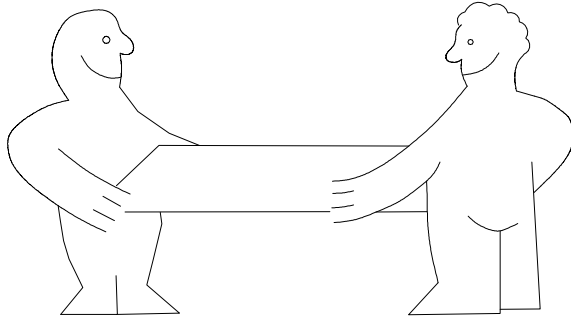
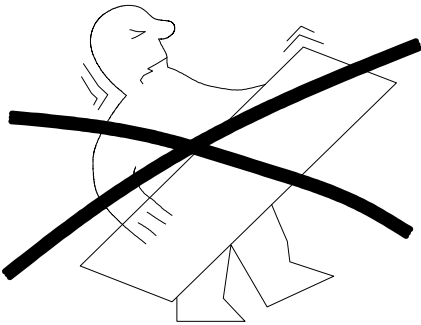
3

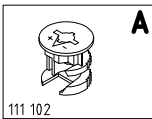
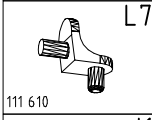
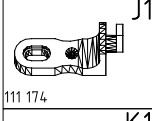
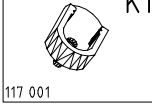


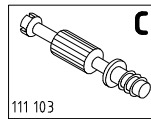
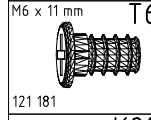
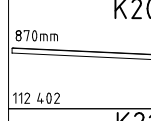
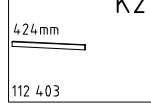
980580

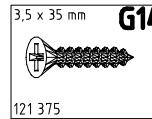
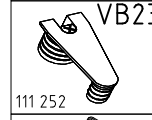
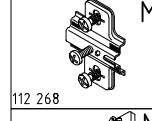
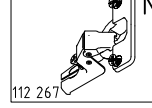


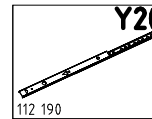
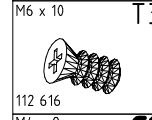
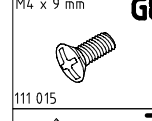

NSP 225

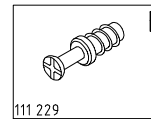
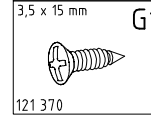


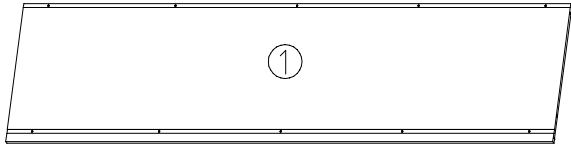
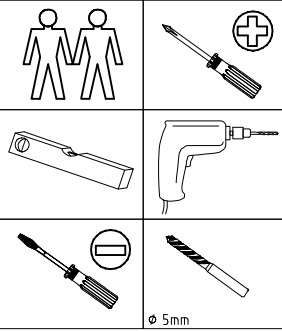
 111 102	A	20x
 111 610	L7	12x
 111 174	J1	6x
 117 001	K1	6x

 111 103	C	20x
 M6 x 11 mm 121 181	T6	6x
 870mm 112 402	K20	2x
 424mm 112 403	K21	1x

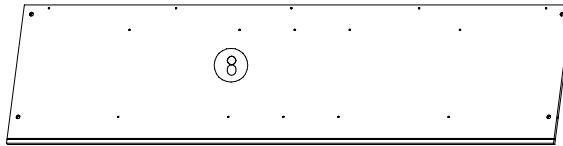
 3,5 x 35 mm 121 375	G14	10x
 111 252	VB23	8x
 112 268	M	15x
 112 267	N	15x

 112 190	Y20	12x
 M6 x 10 112 616	T3	24x
 M4 x 9 mm 111 015	G8	12x
 163 007	Z	3x

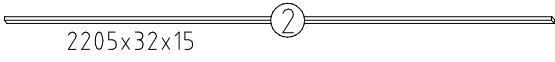
 111 229	F	8x
 3,5 x 15 mm 121 370	G1	12x



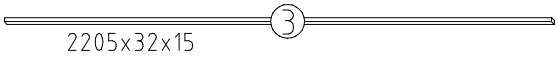
2205x560x15



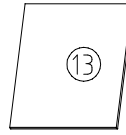
2205x560x15



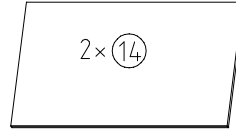
2205x32x15



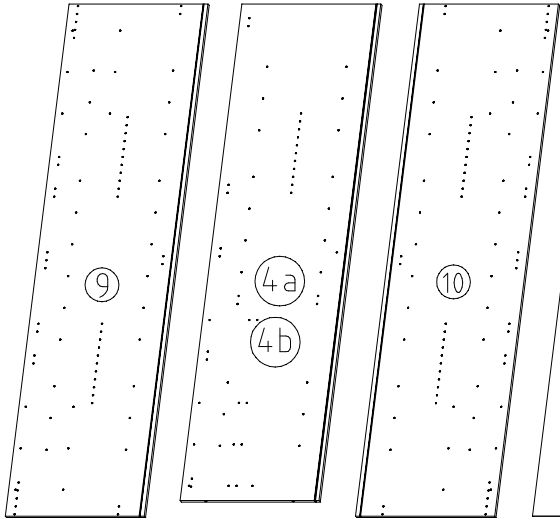
2205x32x15



429x500x18



2x 14
873x500x18



9

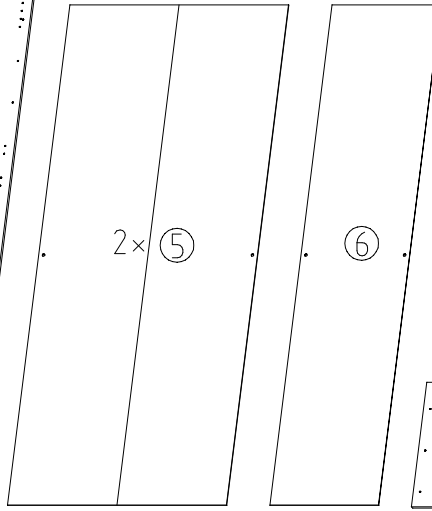
4a
4b

10

2064x560x15

2001x560x15

2064x560x15

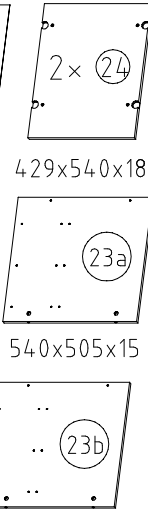


2x 5

6

2015x882x2,5

2015x438x2,5



2x 24

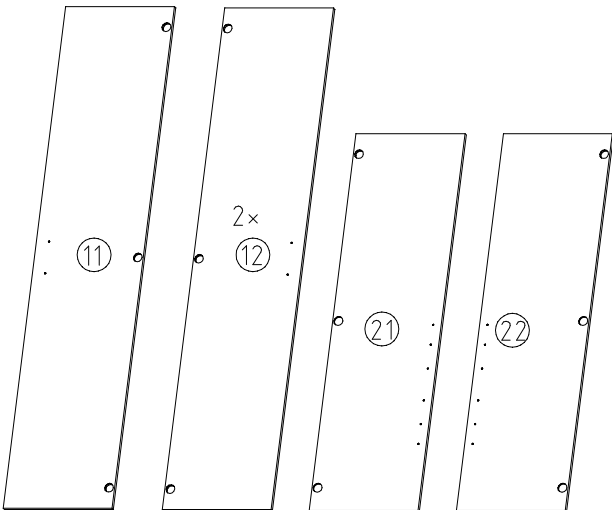
429x540x18

23a

540x505x15

23b

540x505x15



11

2x 12

21

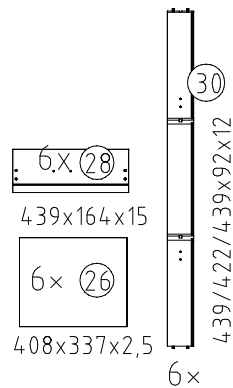
22

2021x439x15

2021x439x15

1518x439x15

1518x439x15



6x 28

439x164x15

6x 26

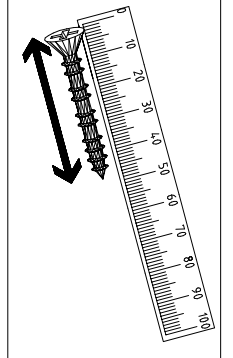
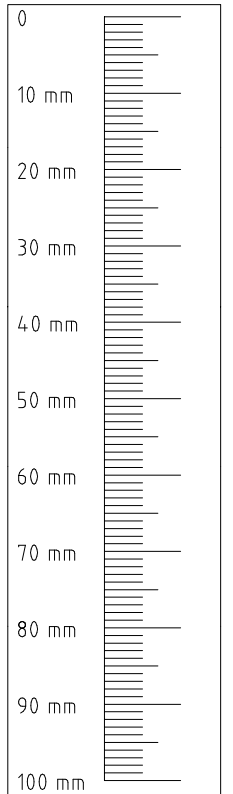
408x337x2,5



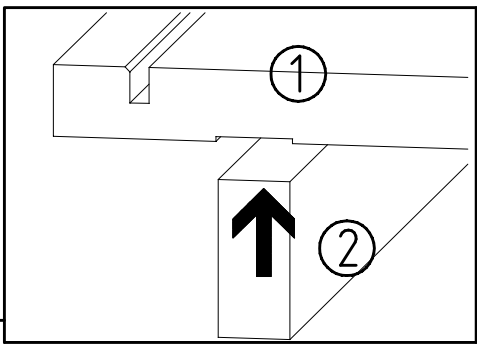
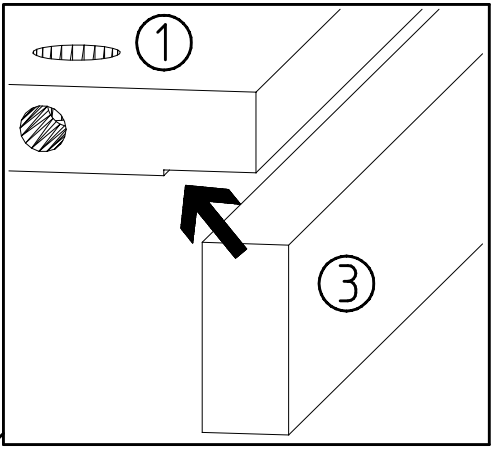
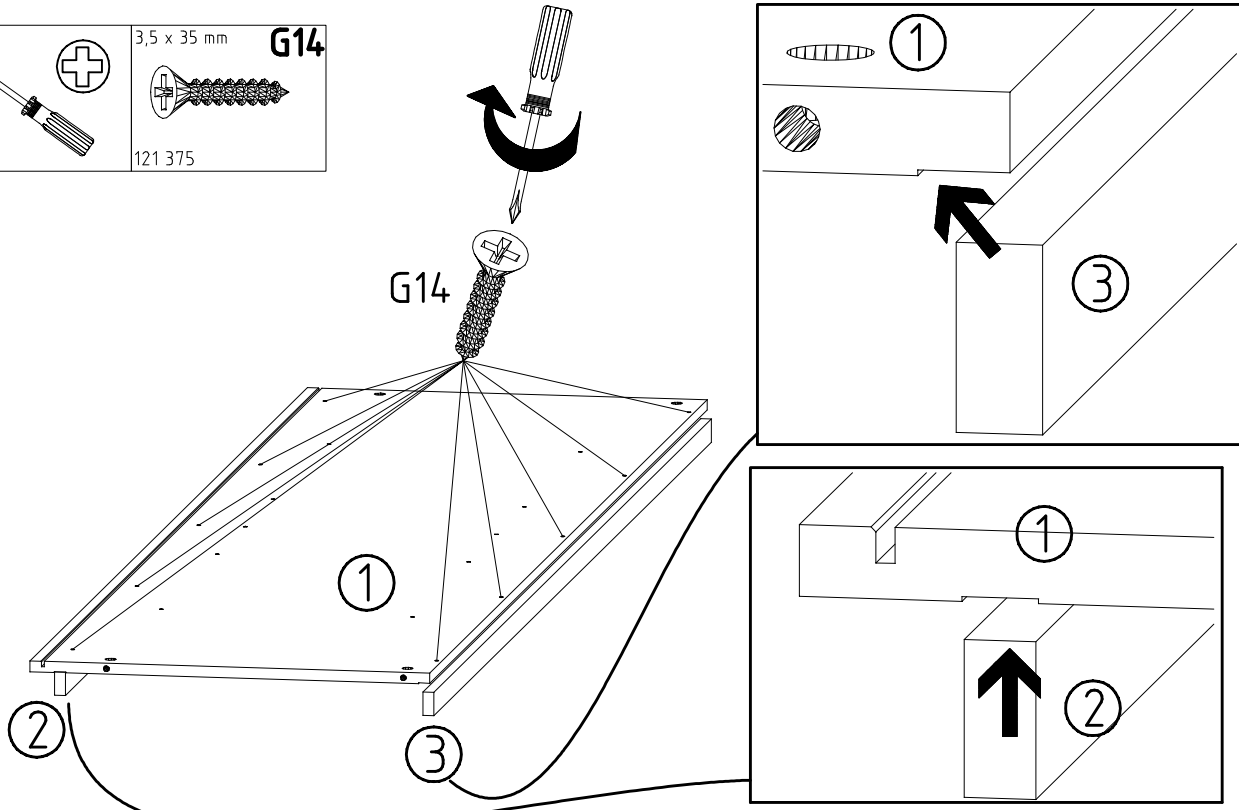
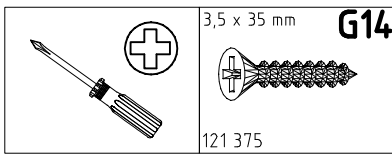
30

439/422/439x92x12

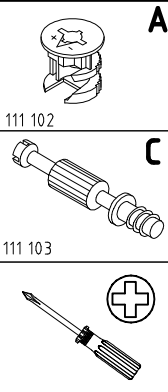
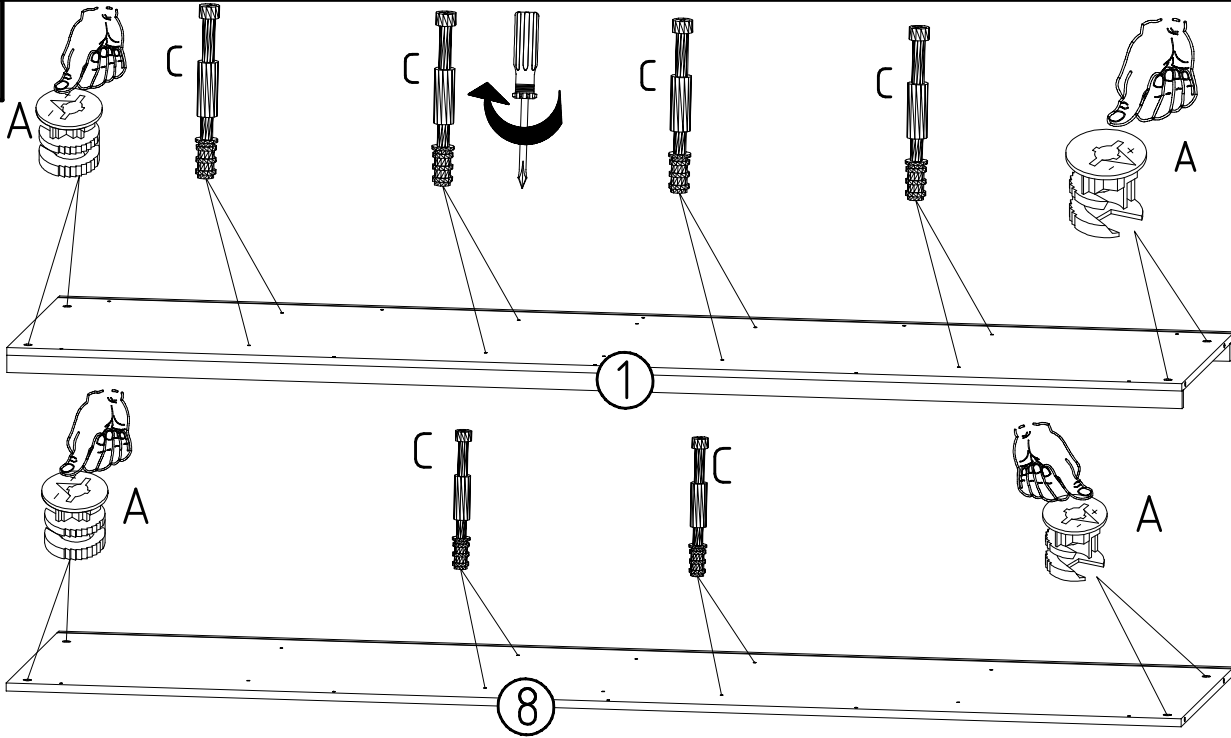
6x



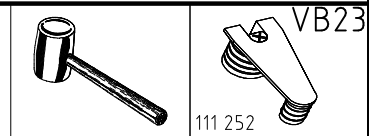
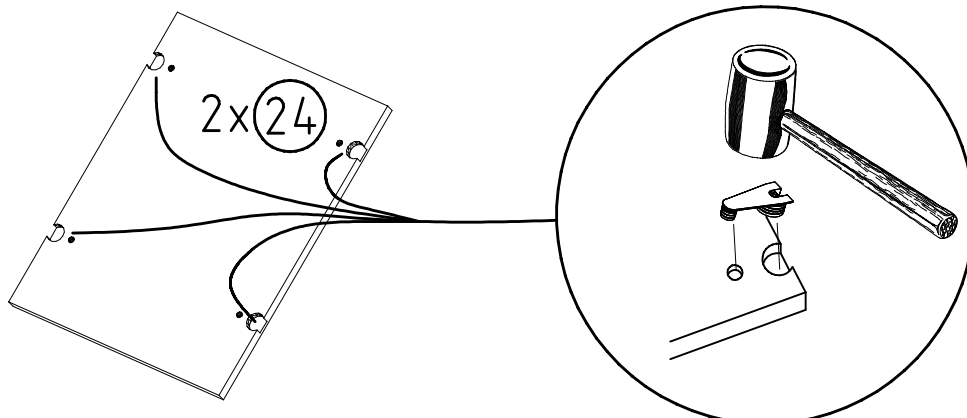
1

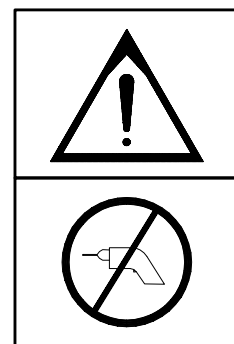
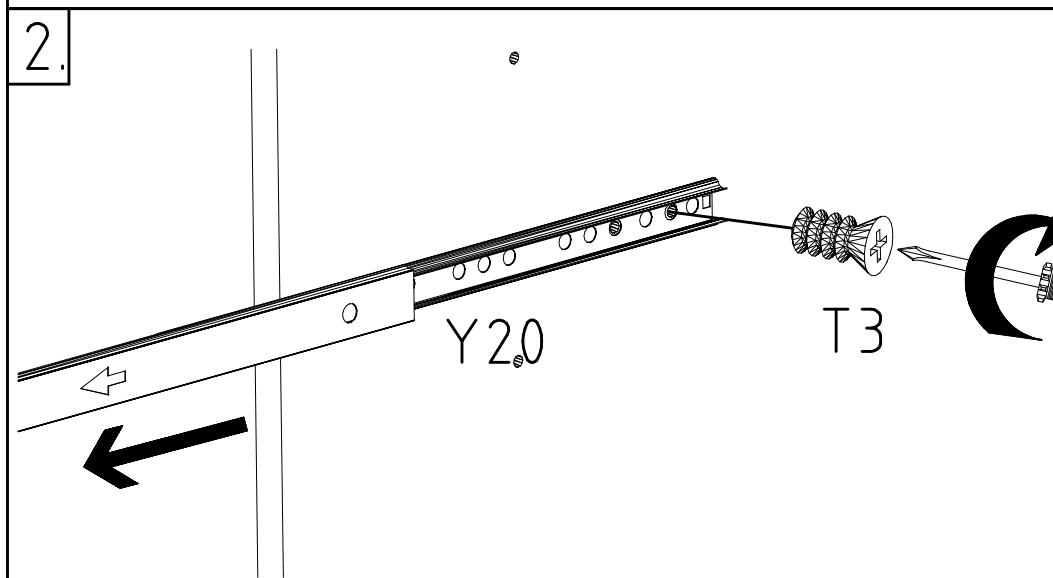
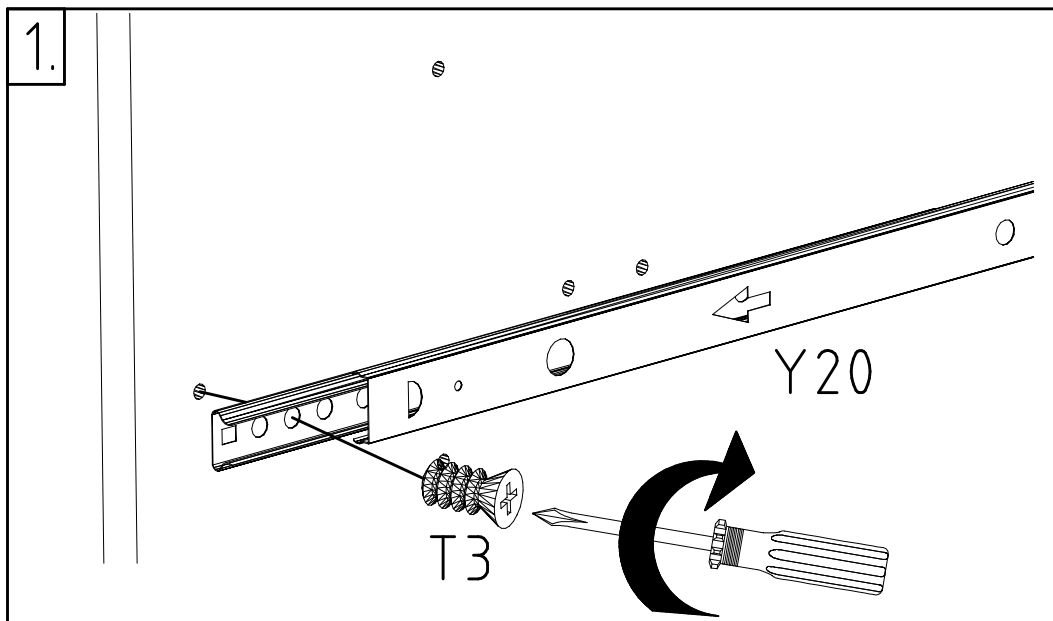
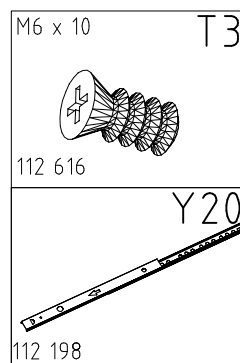
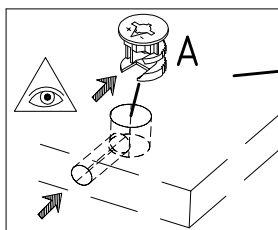
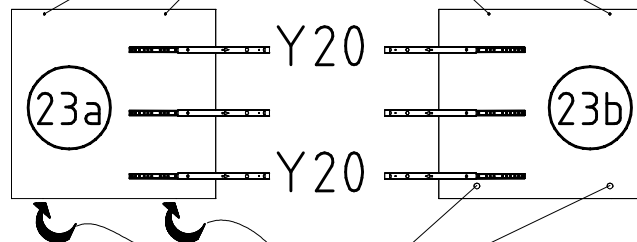
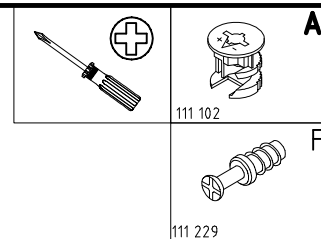
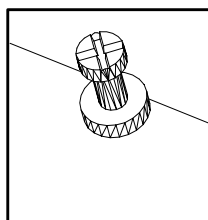
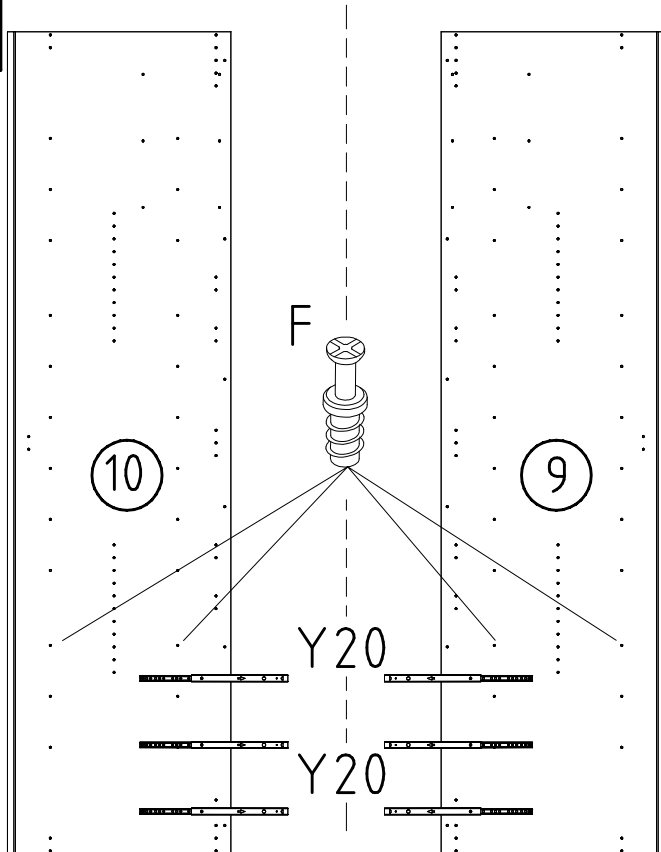


2

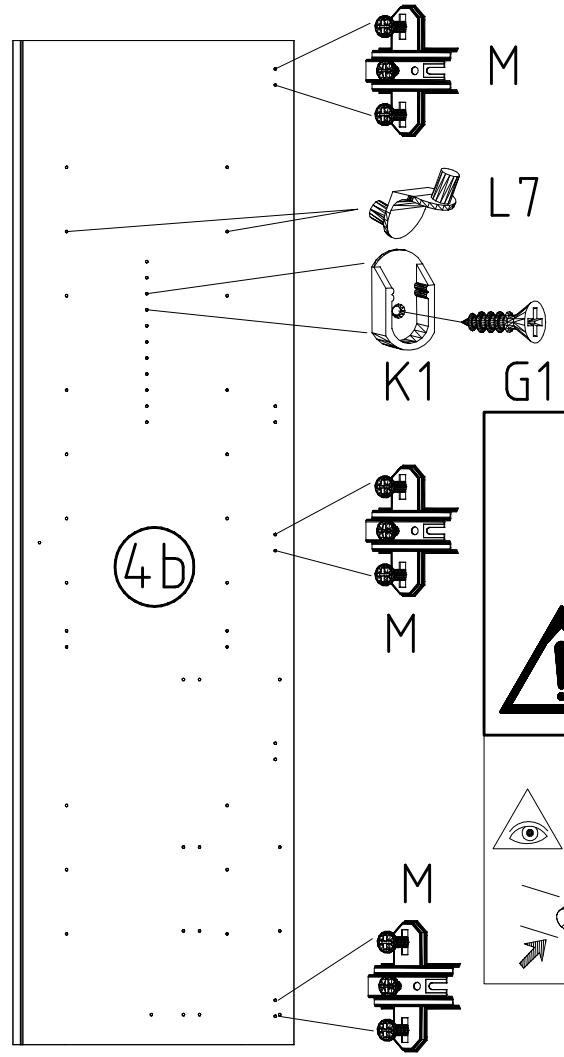
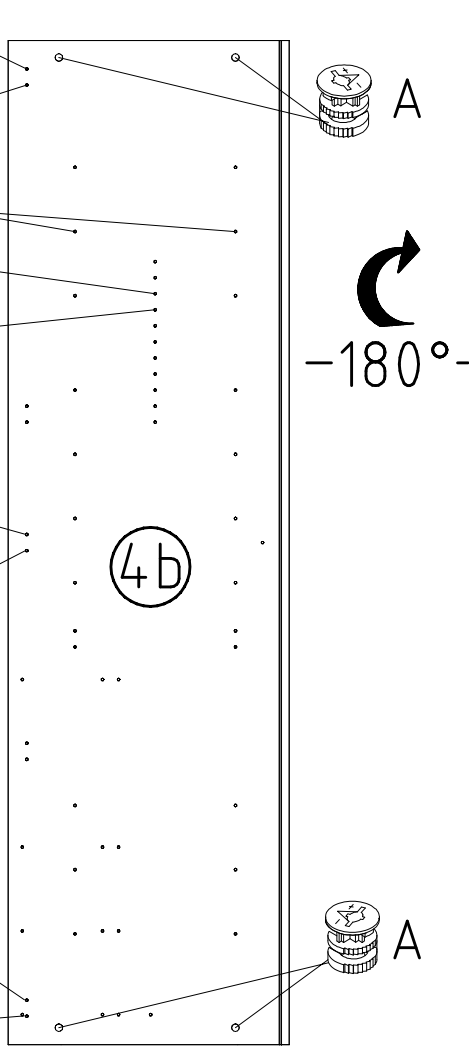
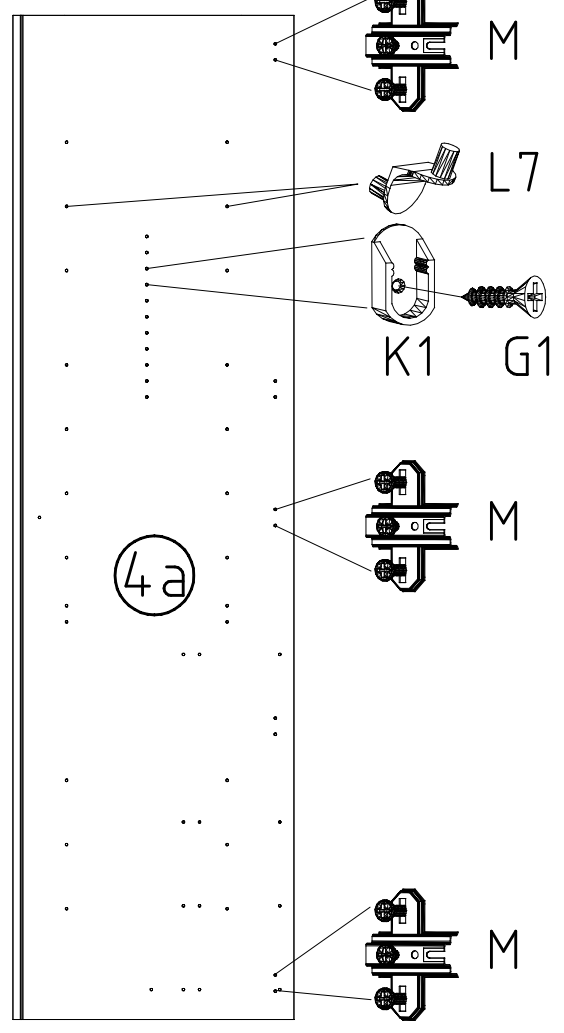
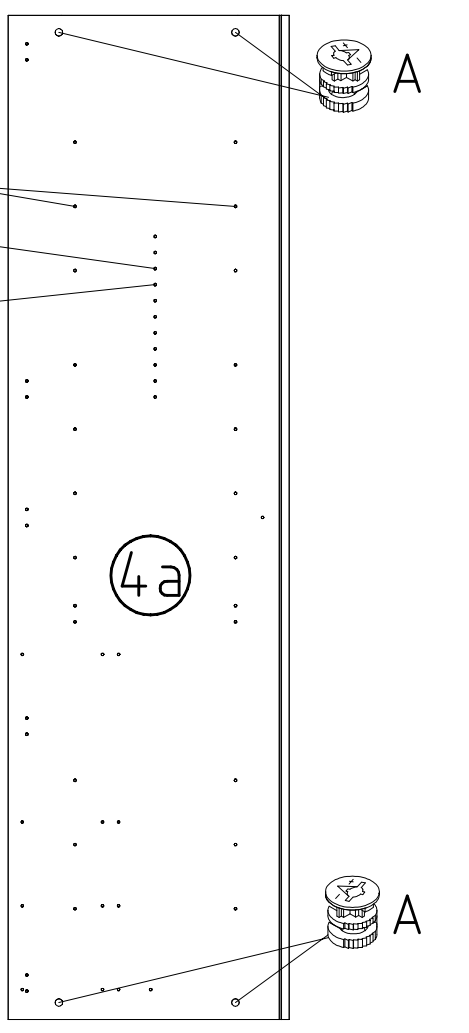


3

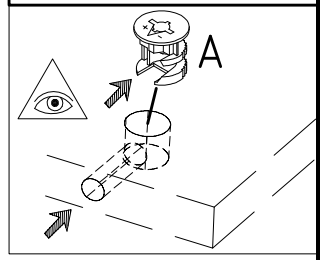
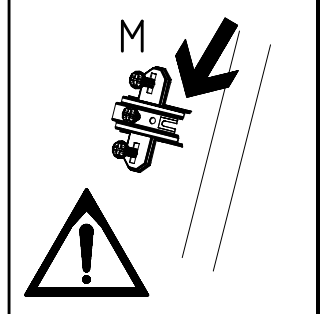




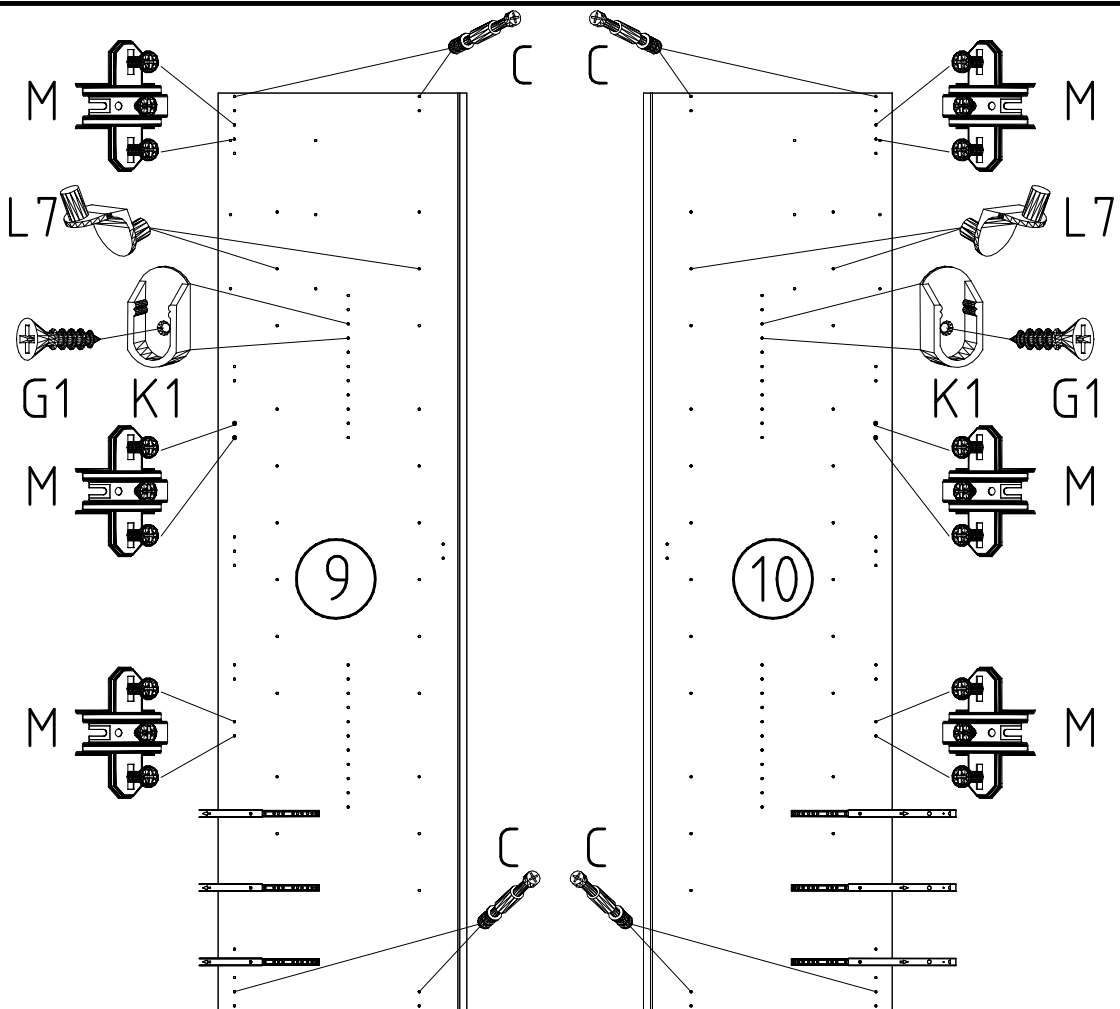
5



L7
111 610 3,5 x 15 mm
G1
121 370
M
112 268
K1
117 001
A
111 102
Mallet
Screwdriver

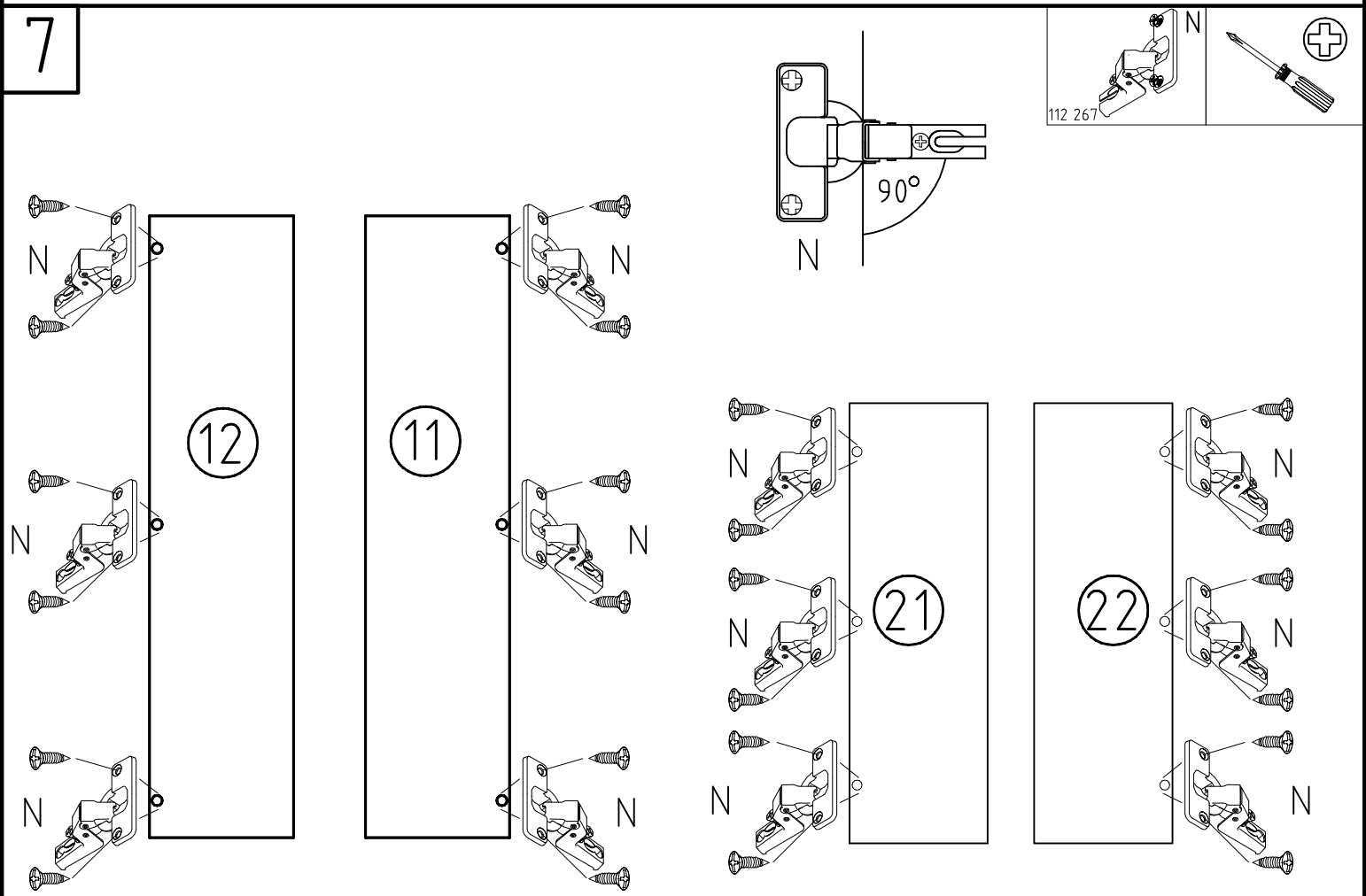


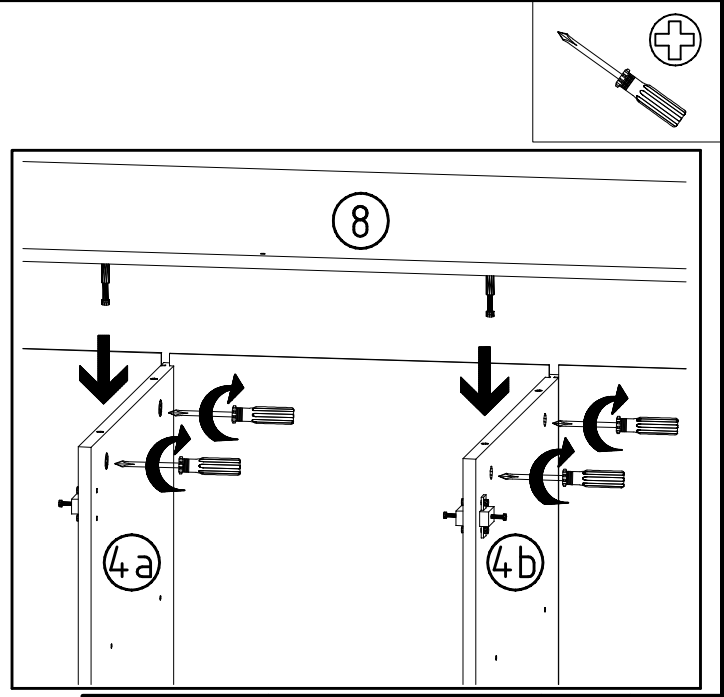
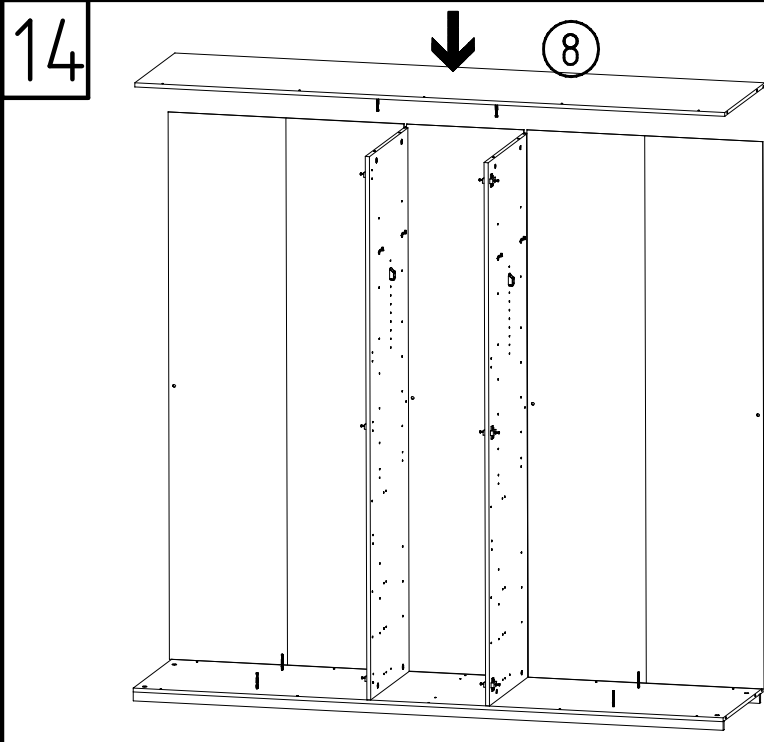
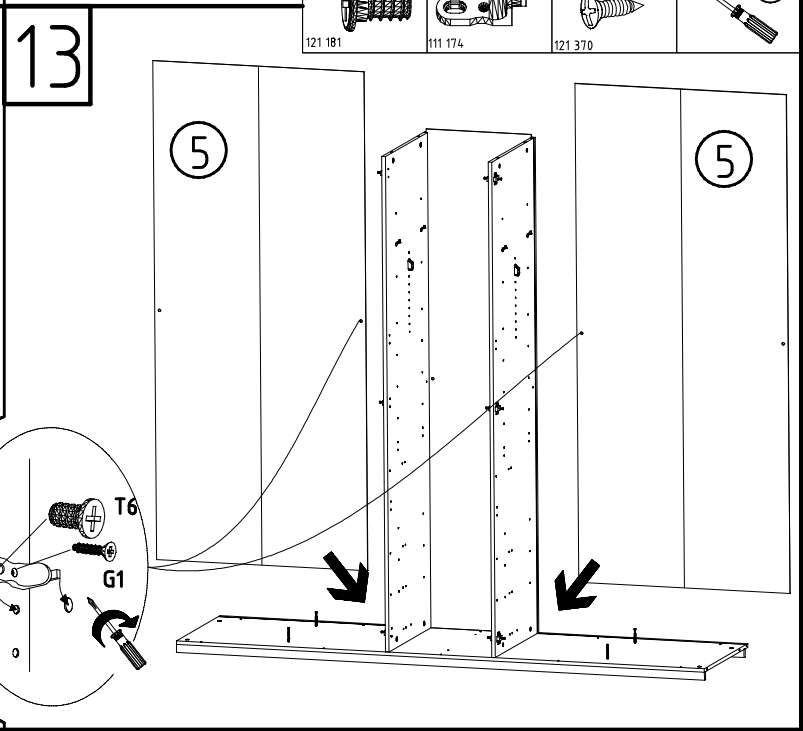
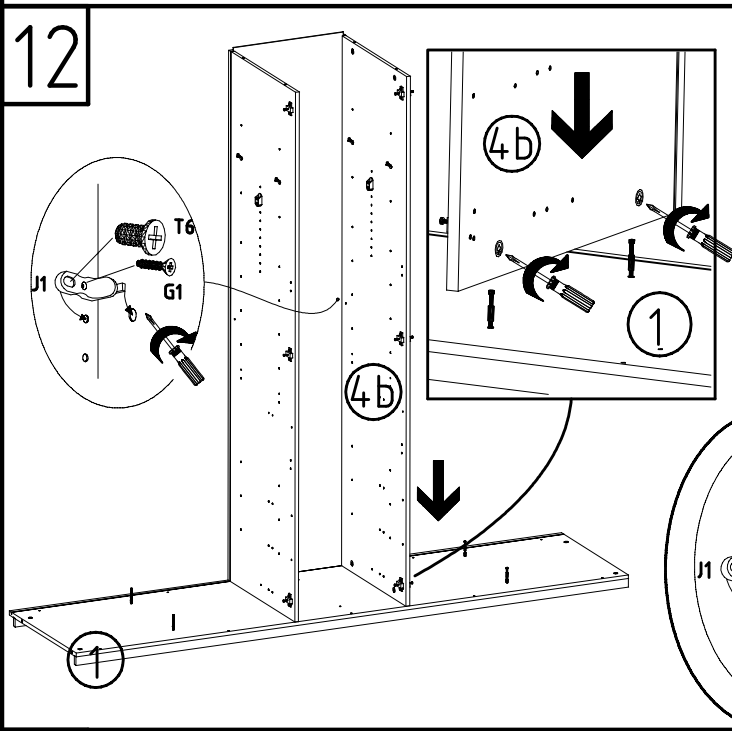
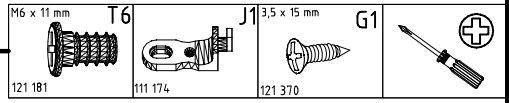
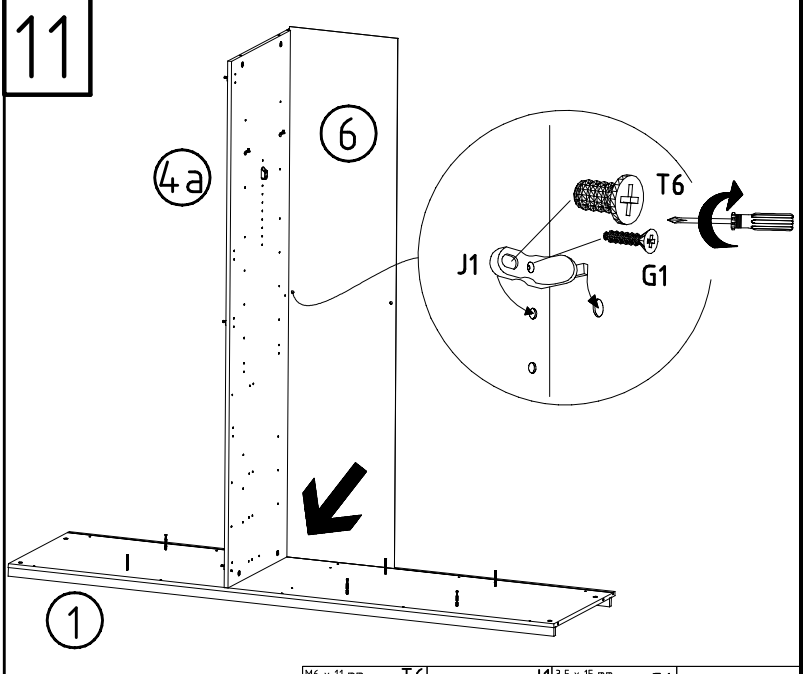
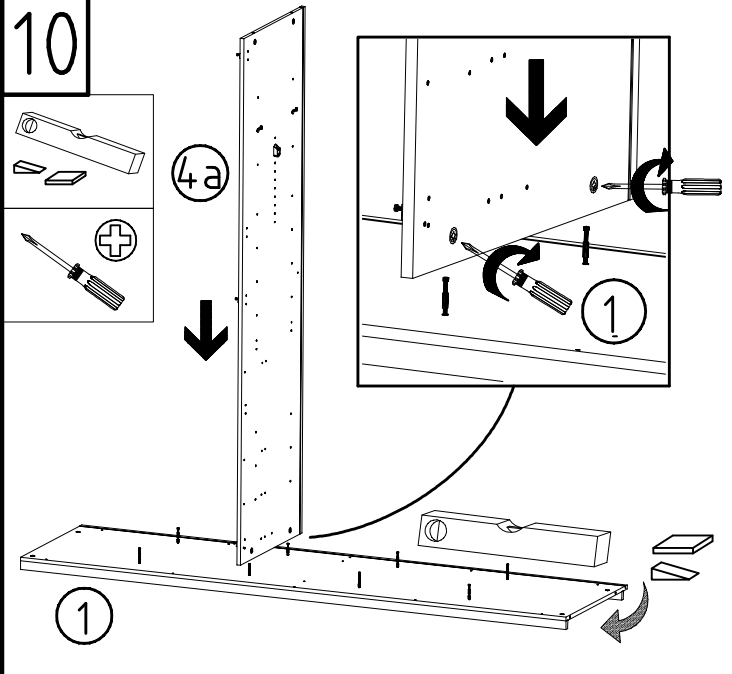
6



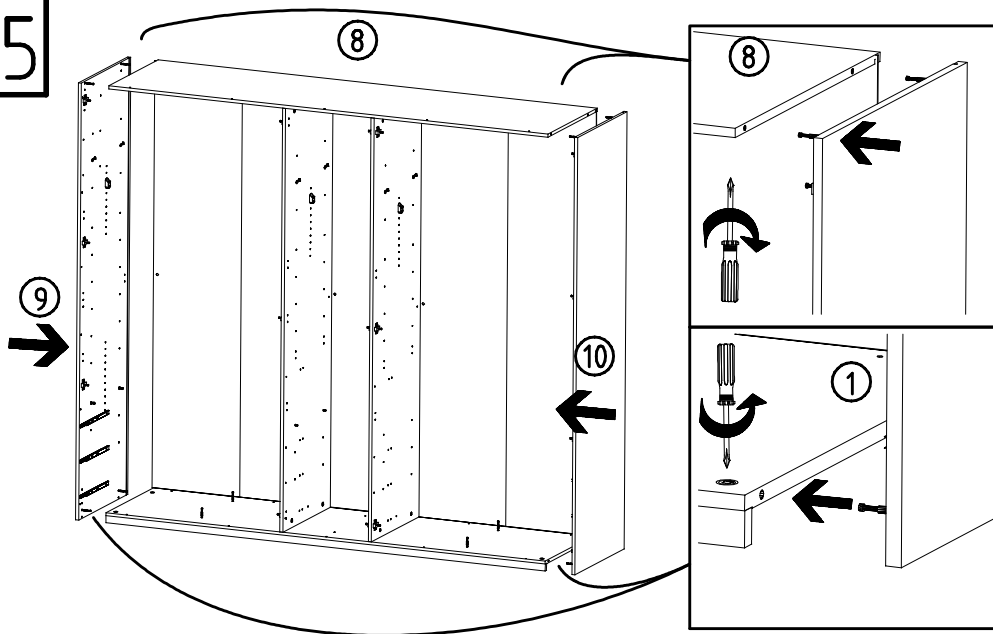
	L7
111 610 3,5 x 15 mm 	G1
121 370 	M
112 268 	K1
117 001 	C
111 103 	

7

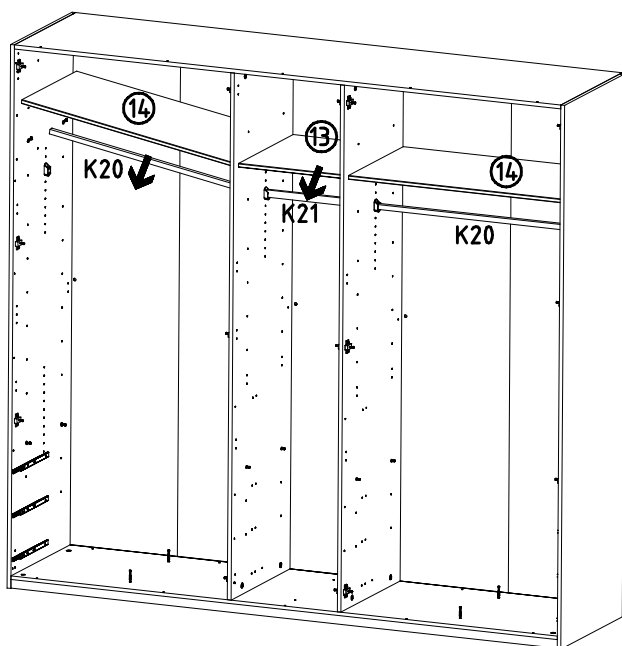




15

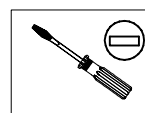
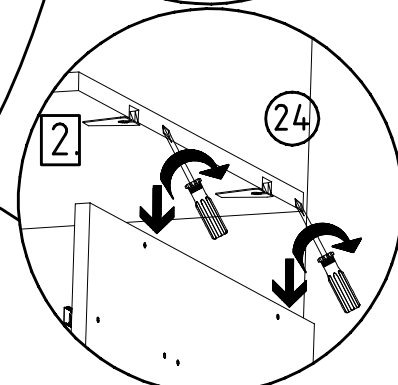
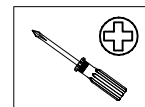
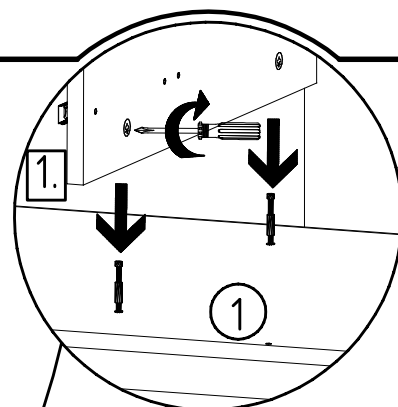
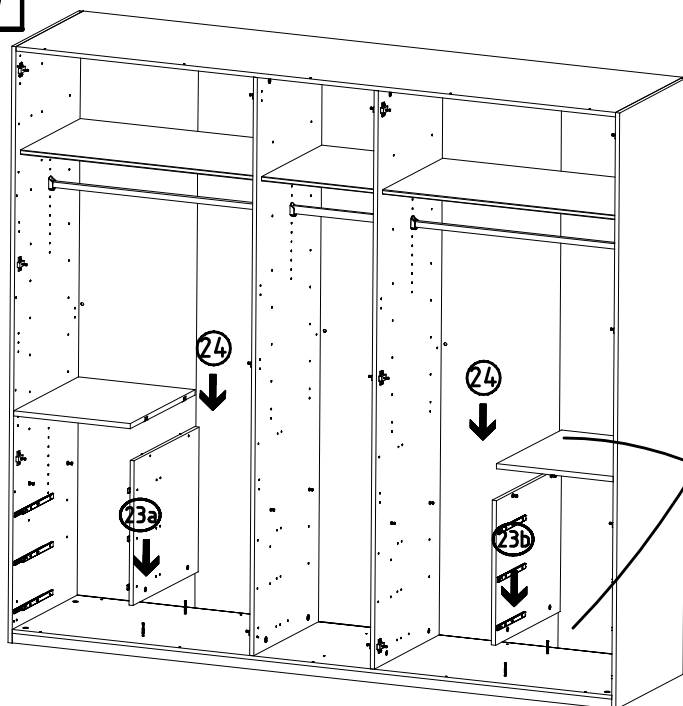


16

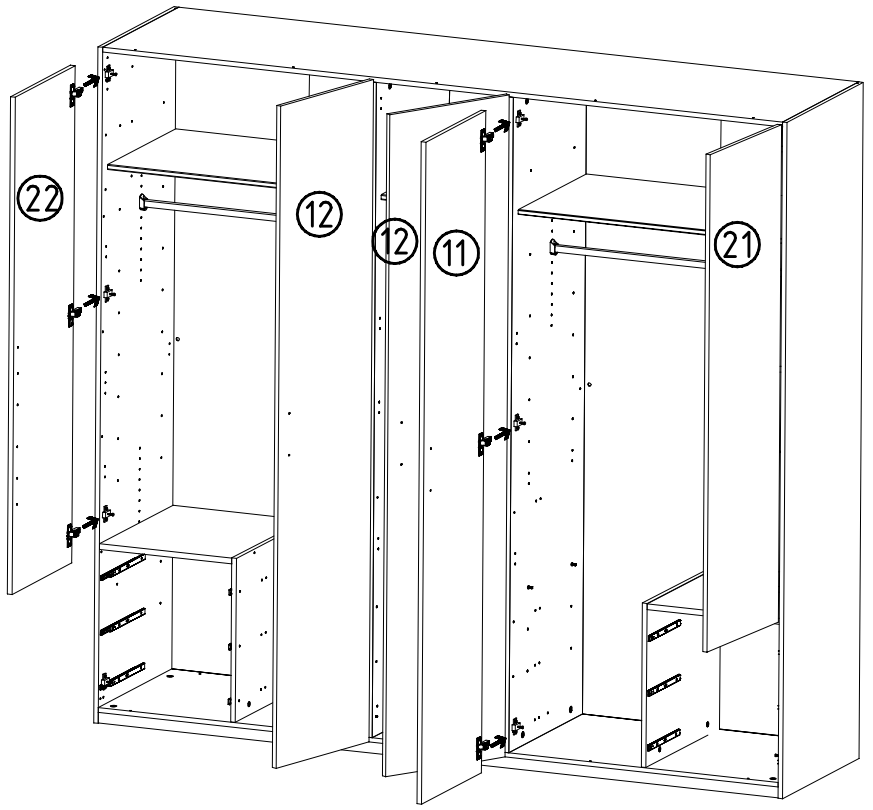
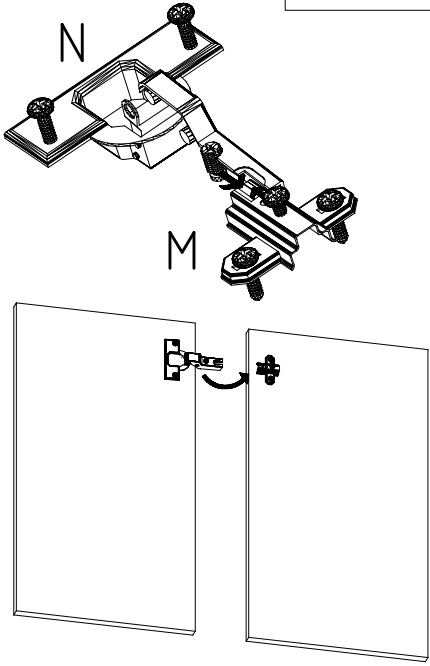
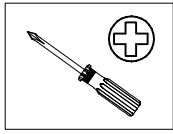


	K21
424mm	
112 403	
	K20
870mm	
112 402	

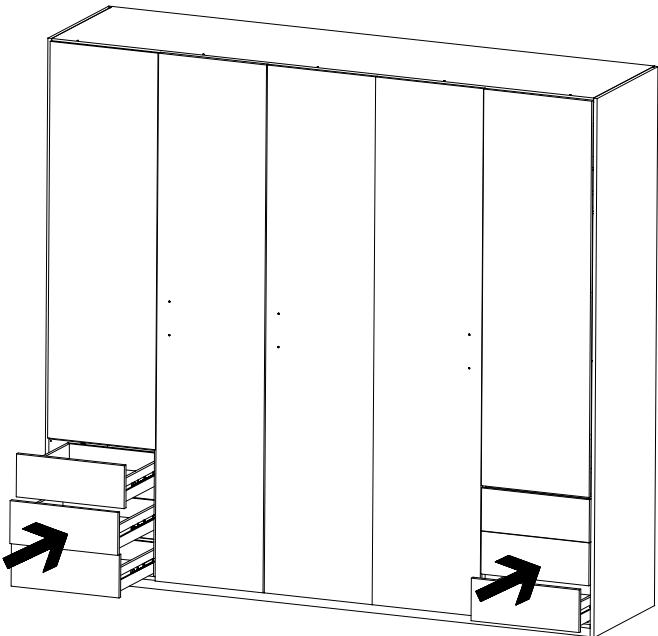
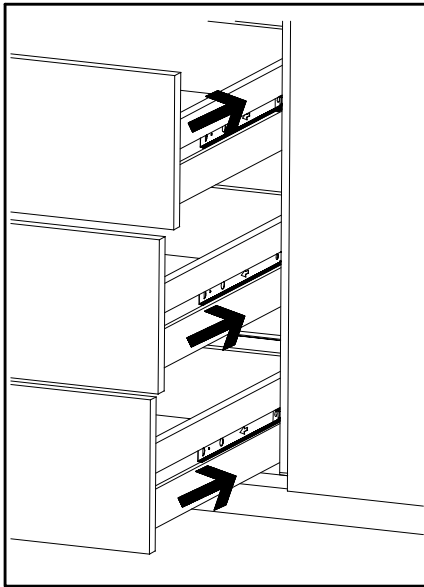
17



18



19

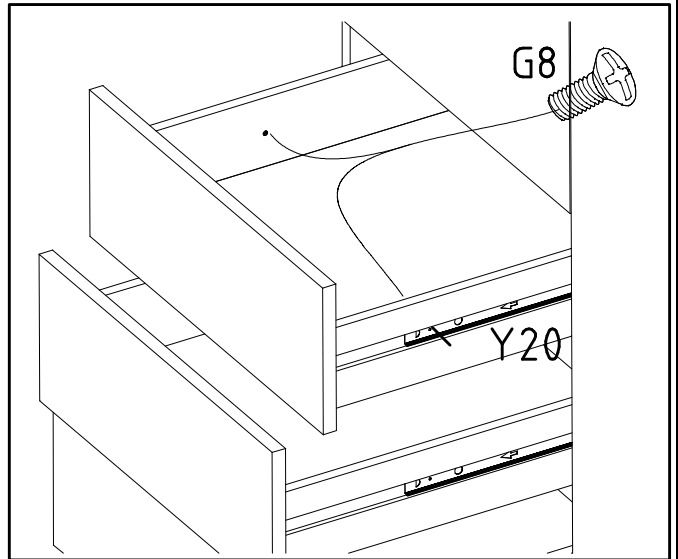
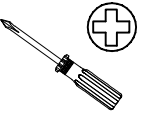


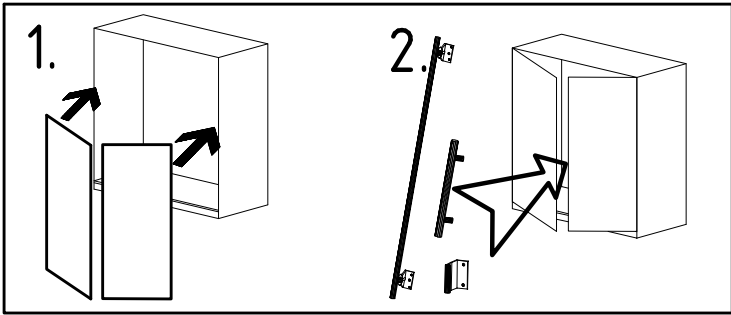
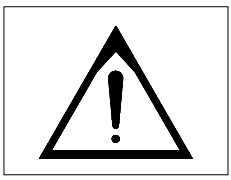
20

M4 x 9 mm G8

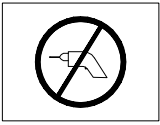
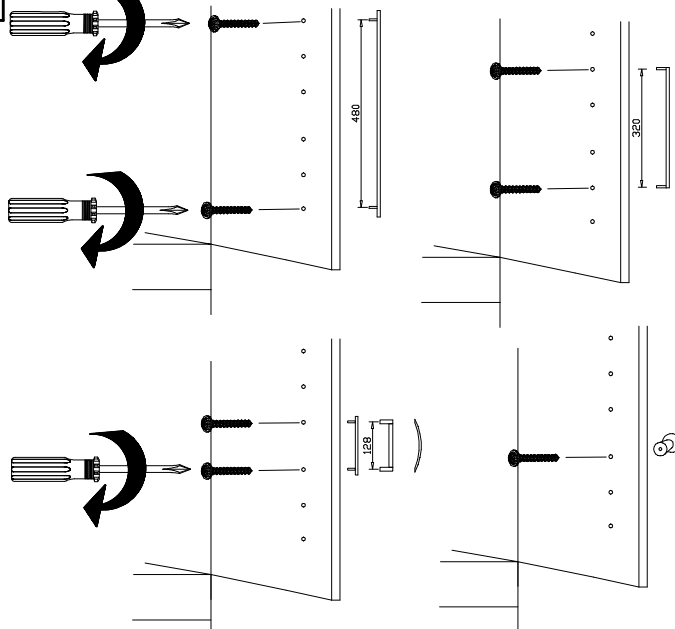
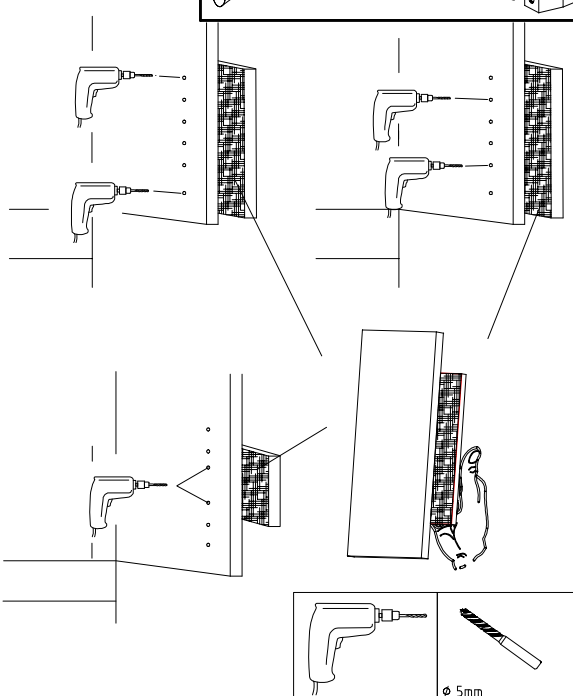
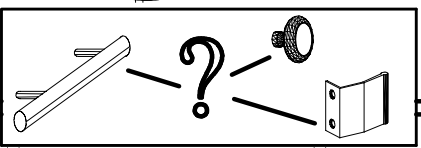
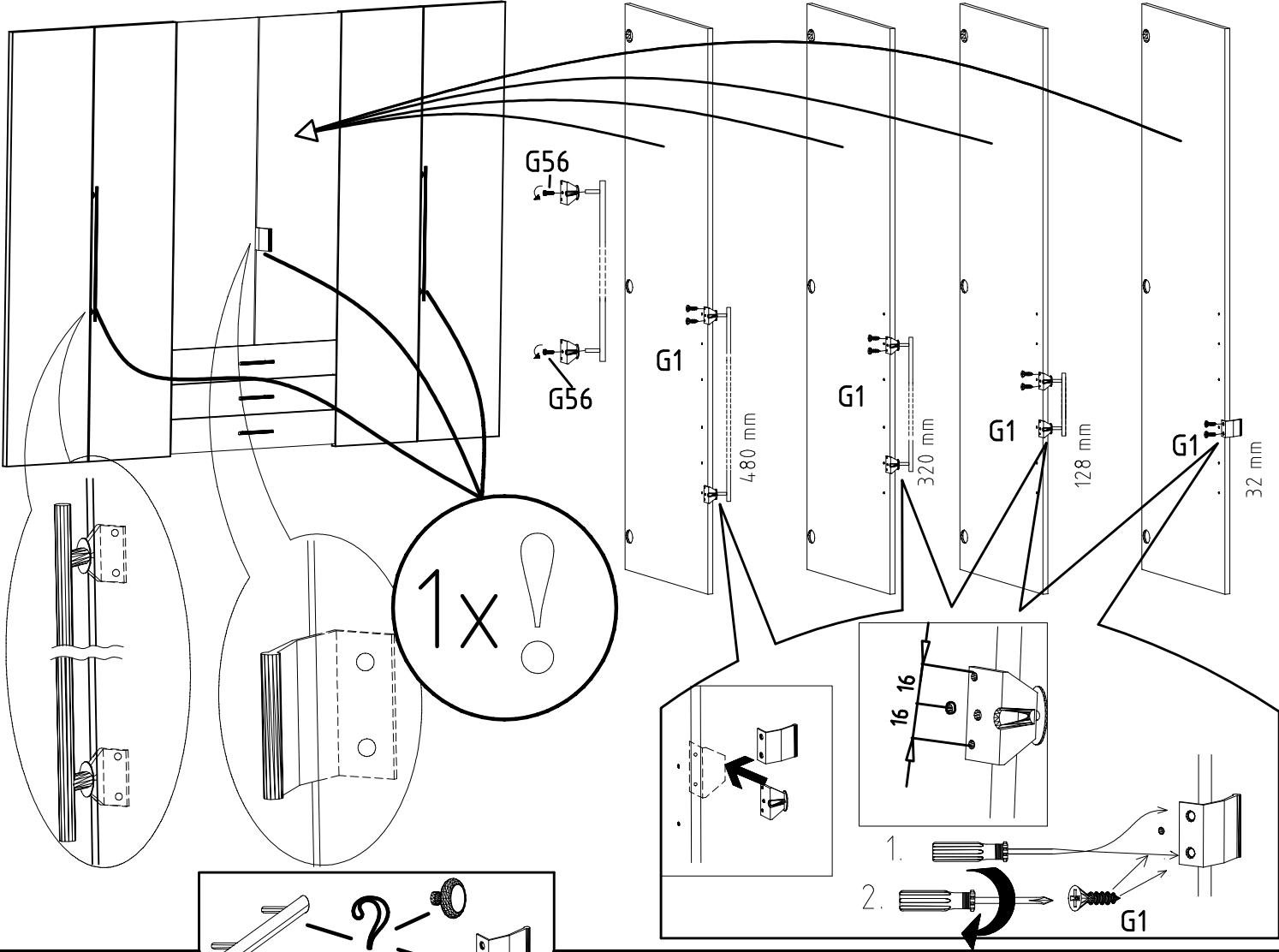


111 015





3,5 x 15 mm 121 370	G1	4,0 x 12 mm 122 625	G56
------------------------	----	------------------------	-----



	SP27
4 X 27mm	
122620	
4,0x22	G49
122 609	

