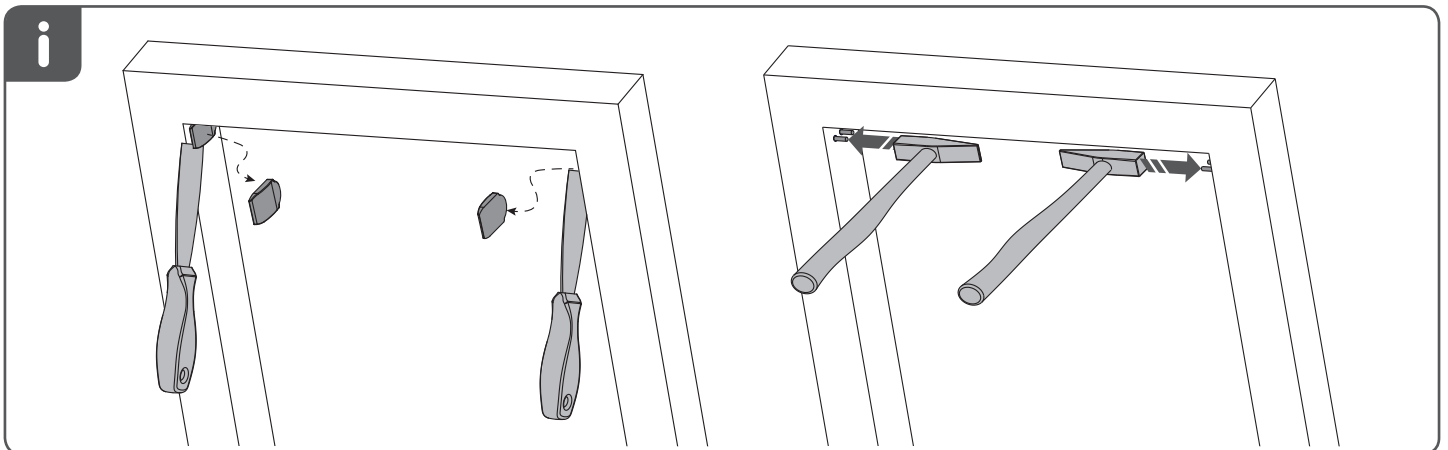
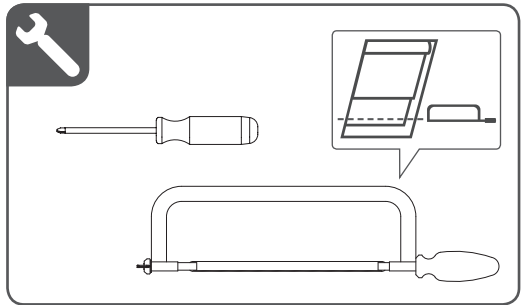


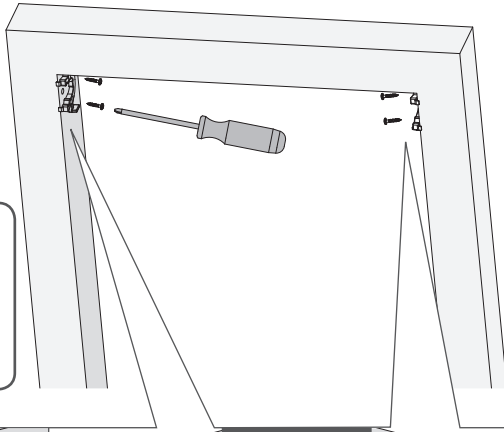
C(K)02, C(K)04, F(K)06, M(K)04, U(K)04:	8 pcs
M(K)06, S(K)06, M(K)08, U(K)08:	10 pcs
P(K)10:	12 pcs

Ø3 x 16mm

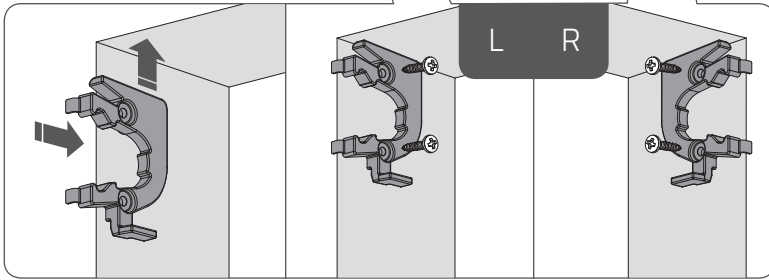
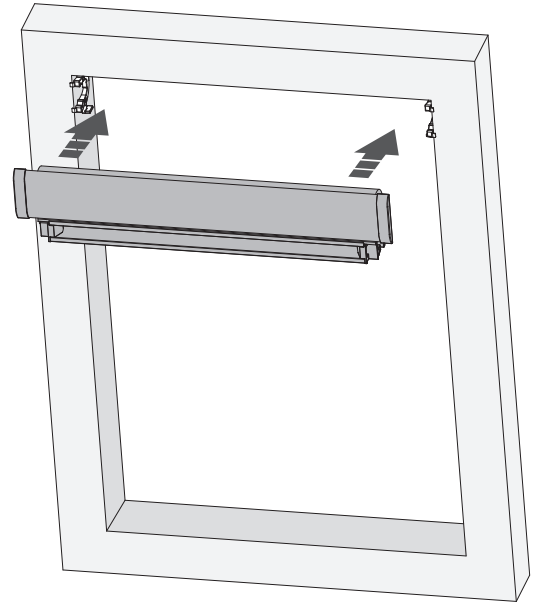


MN190124_20191003

1

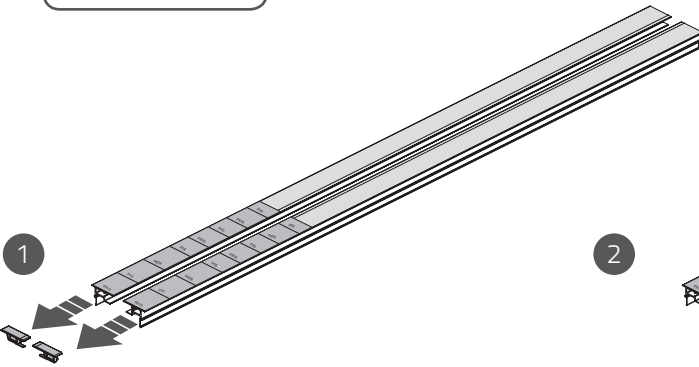


2

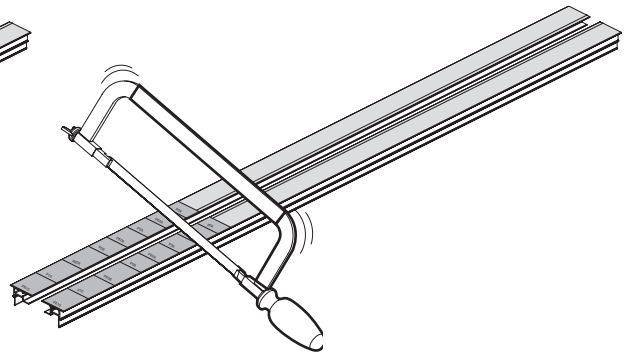


3

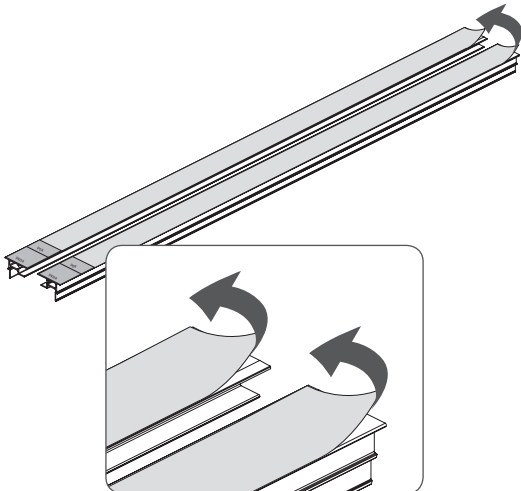
 Optional



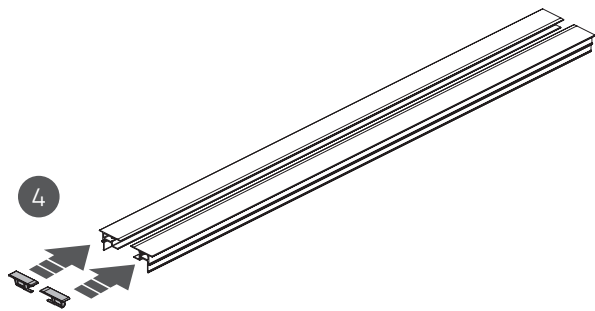
2



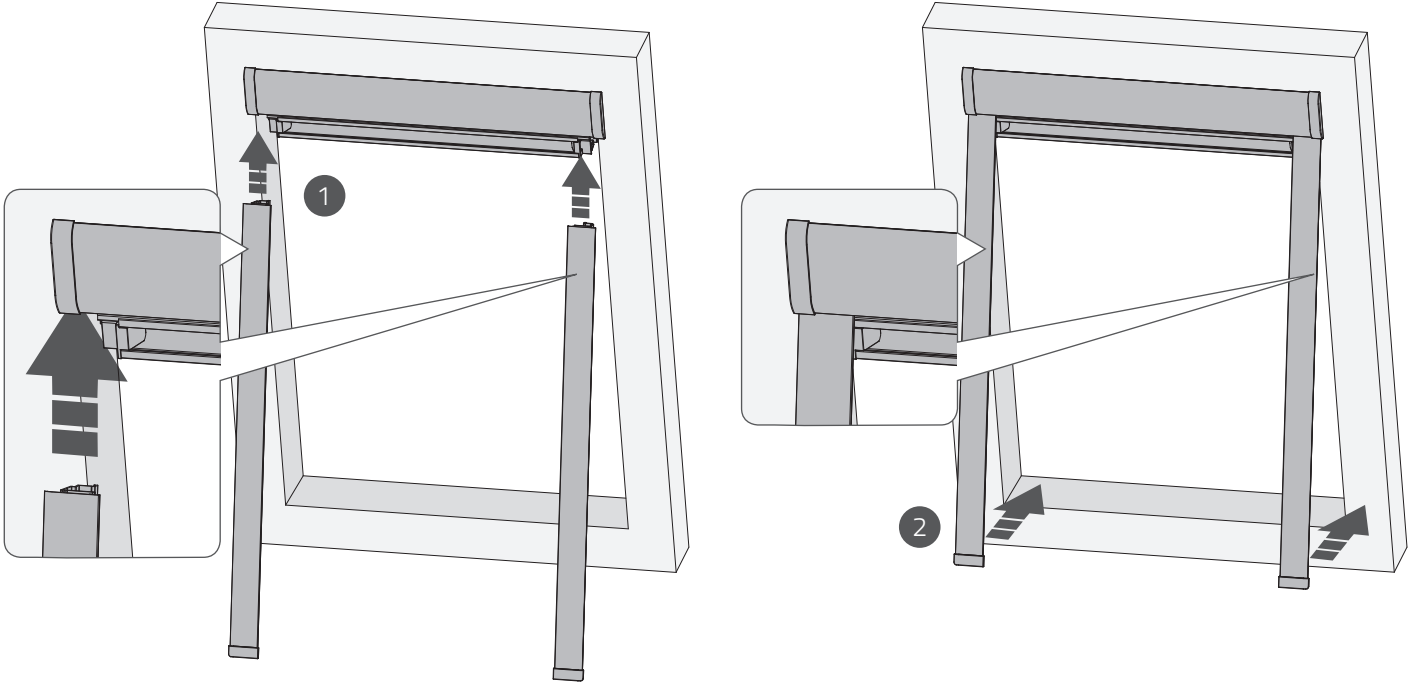
3



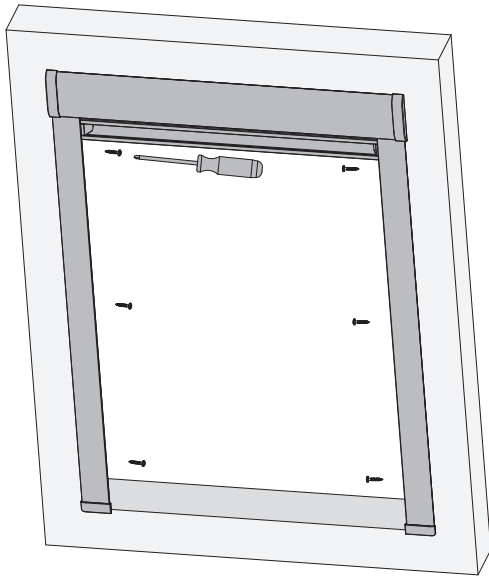
4



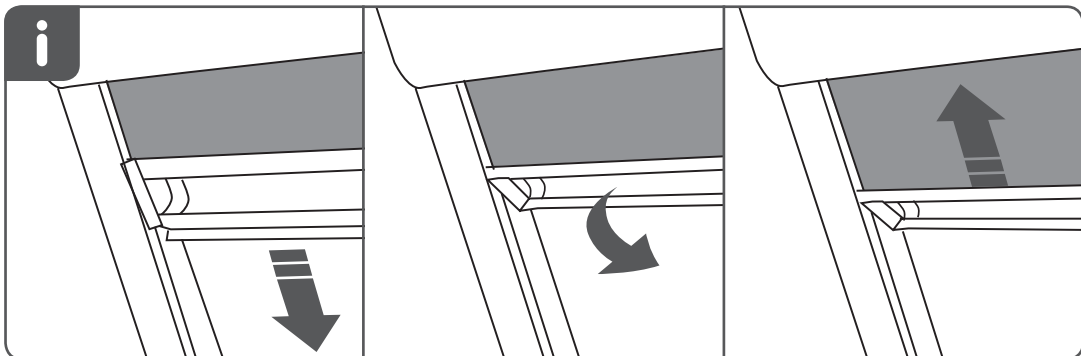
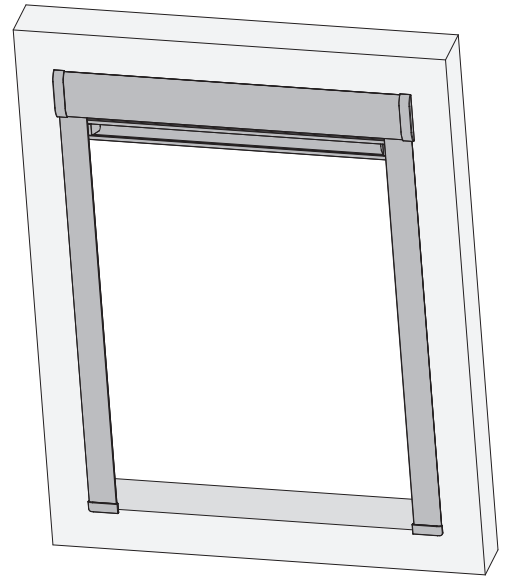
4



5



6



MN190124_20191003