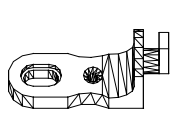

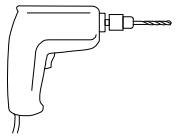
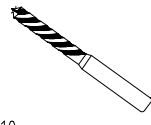
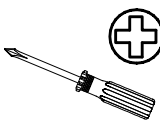
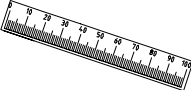


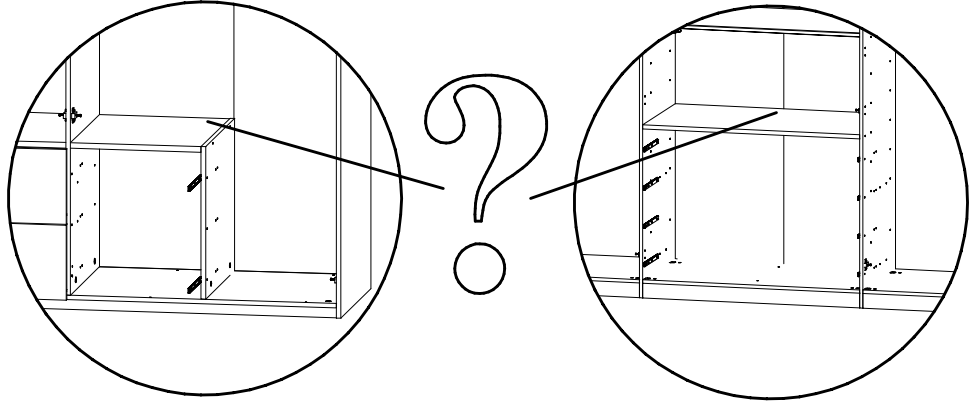
980511

 111 174	J1 1x
 121 120	SP14 4 x 15mm 1x

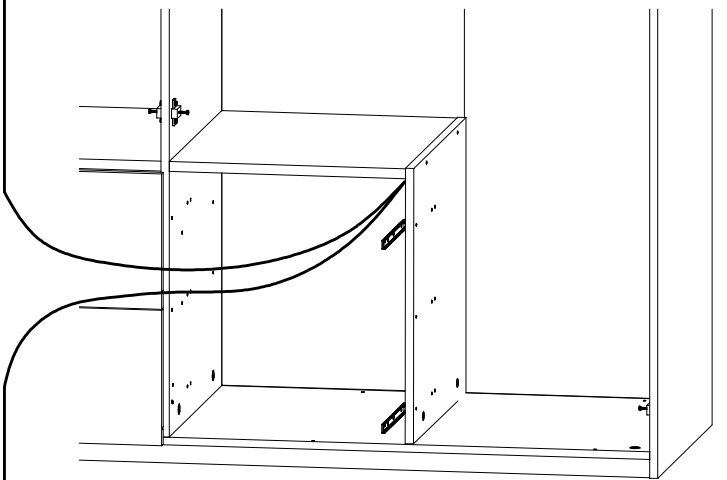
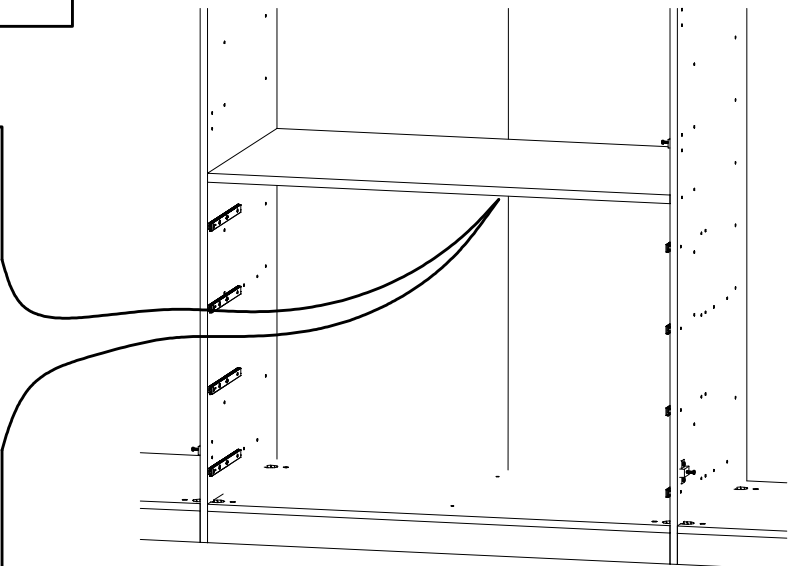


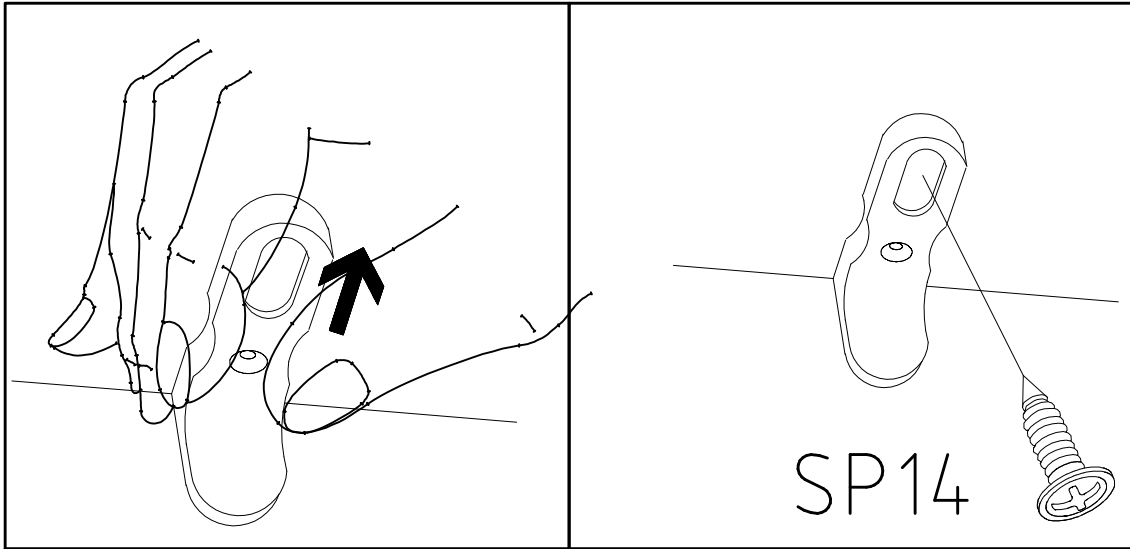
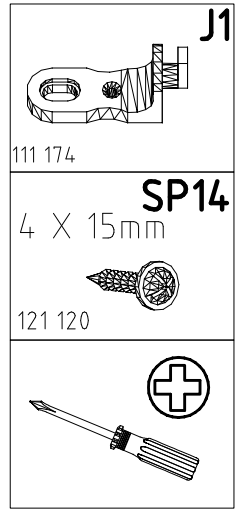
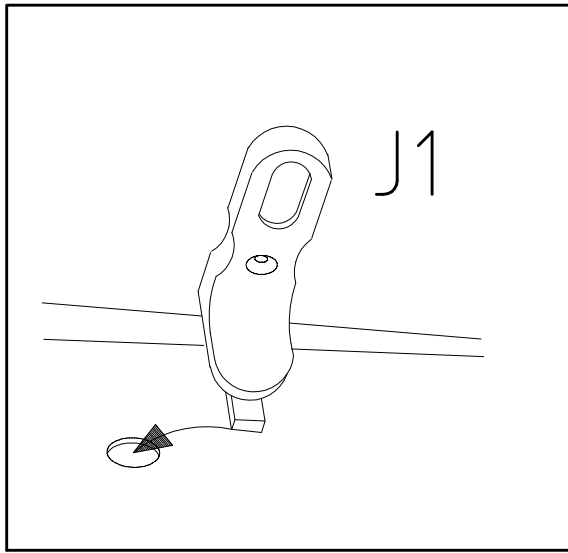
10mm



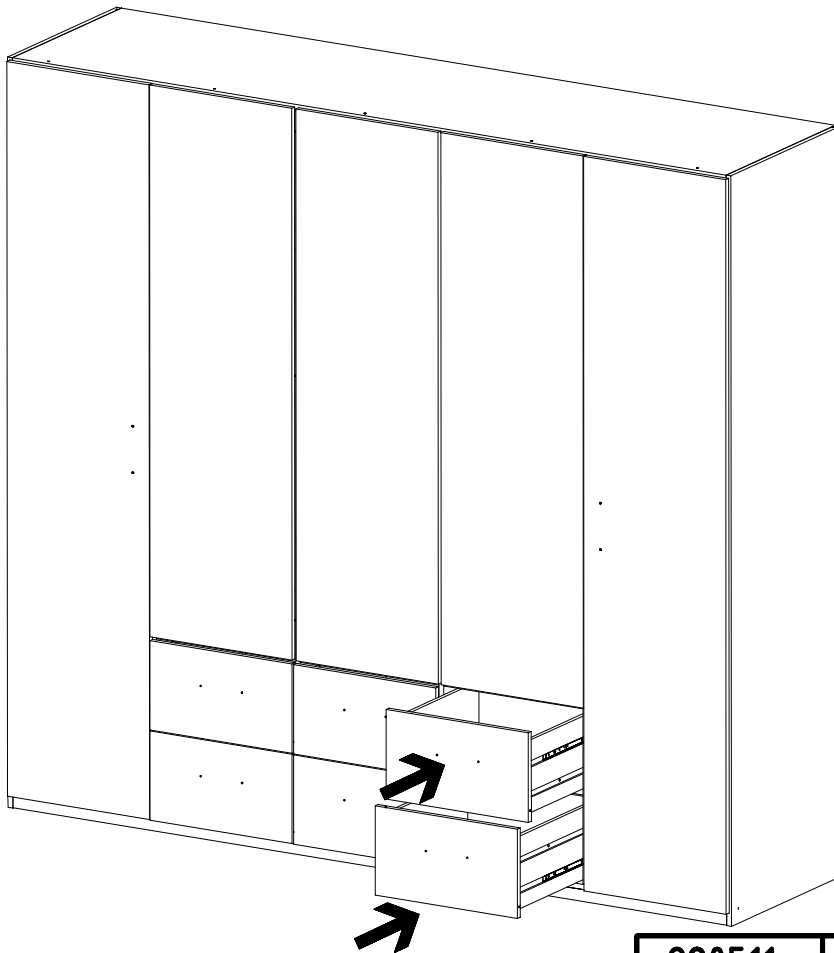
1

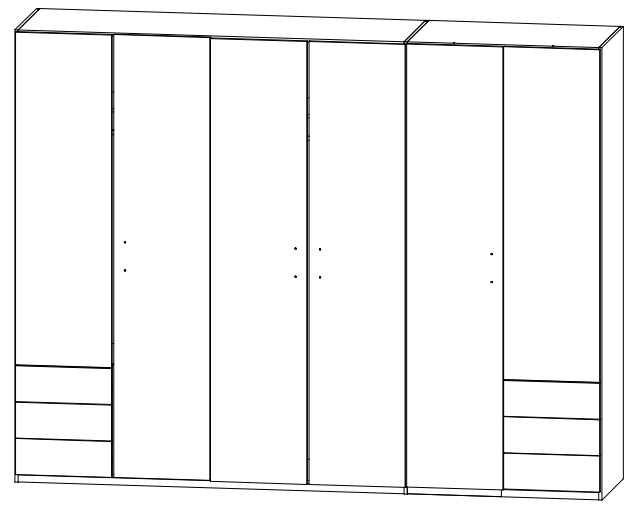
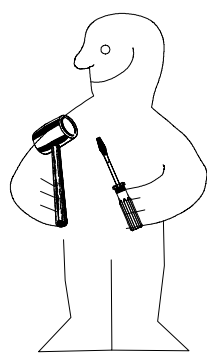
2



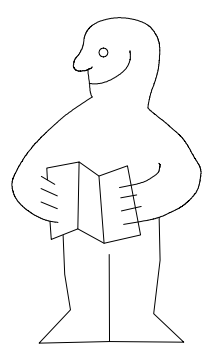
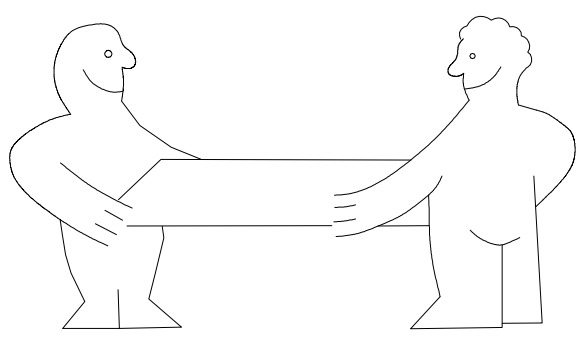
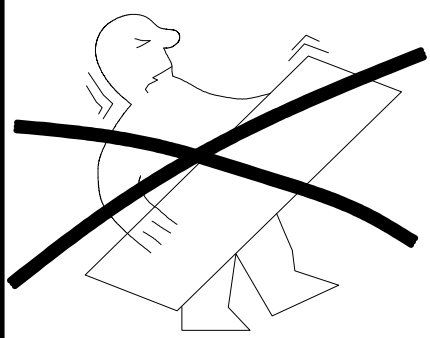
3



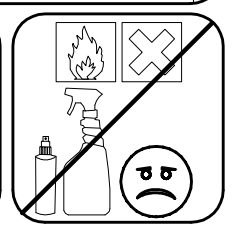
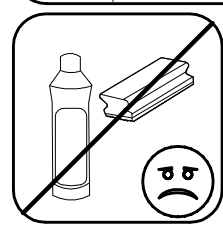
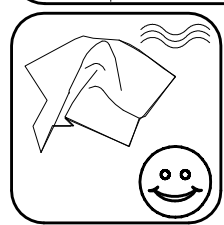
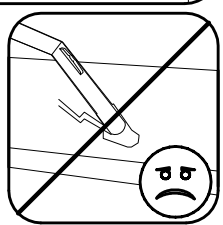
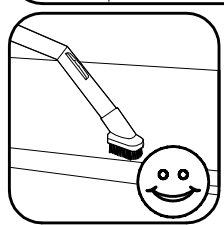
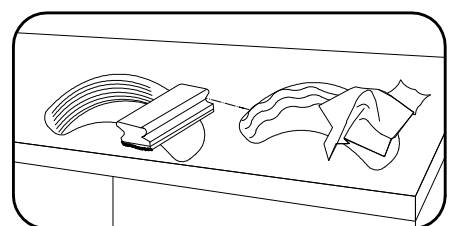
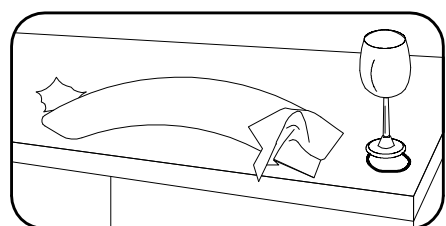
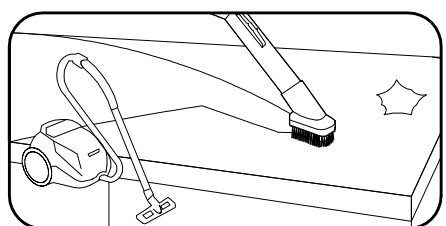
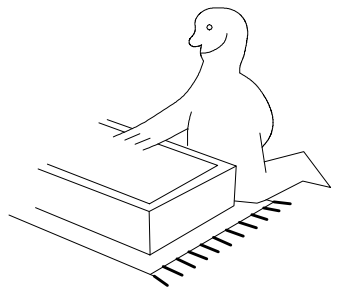
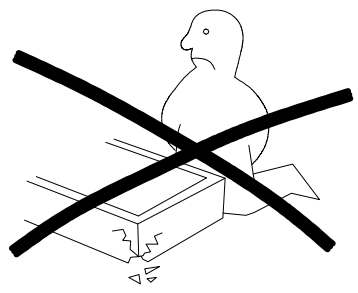
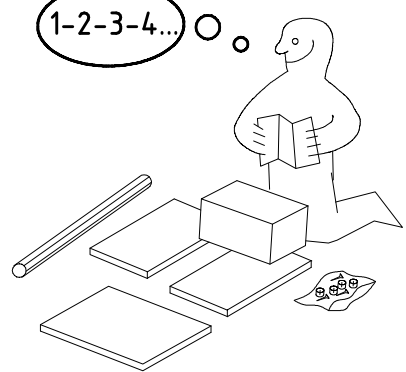
980579



NSP 270



1-2-3-4... ○

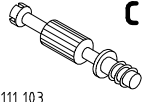
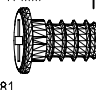
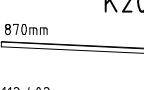



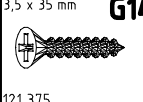

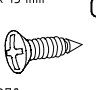
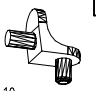
980579

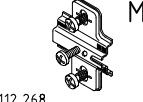
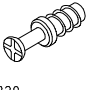
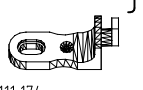

12.03.16 / -

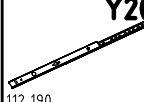


03 16




1/13

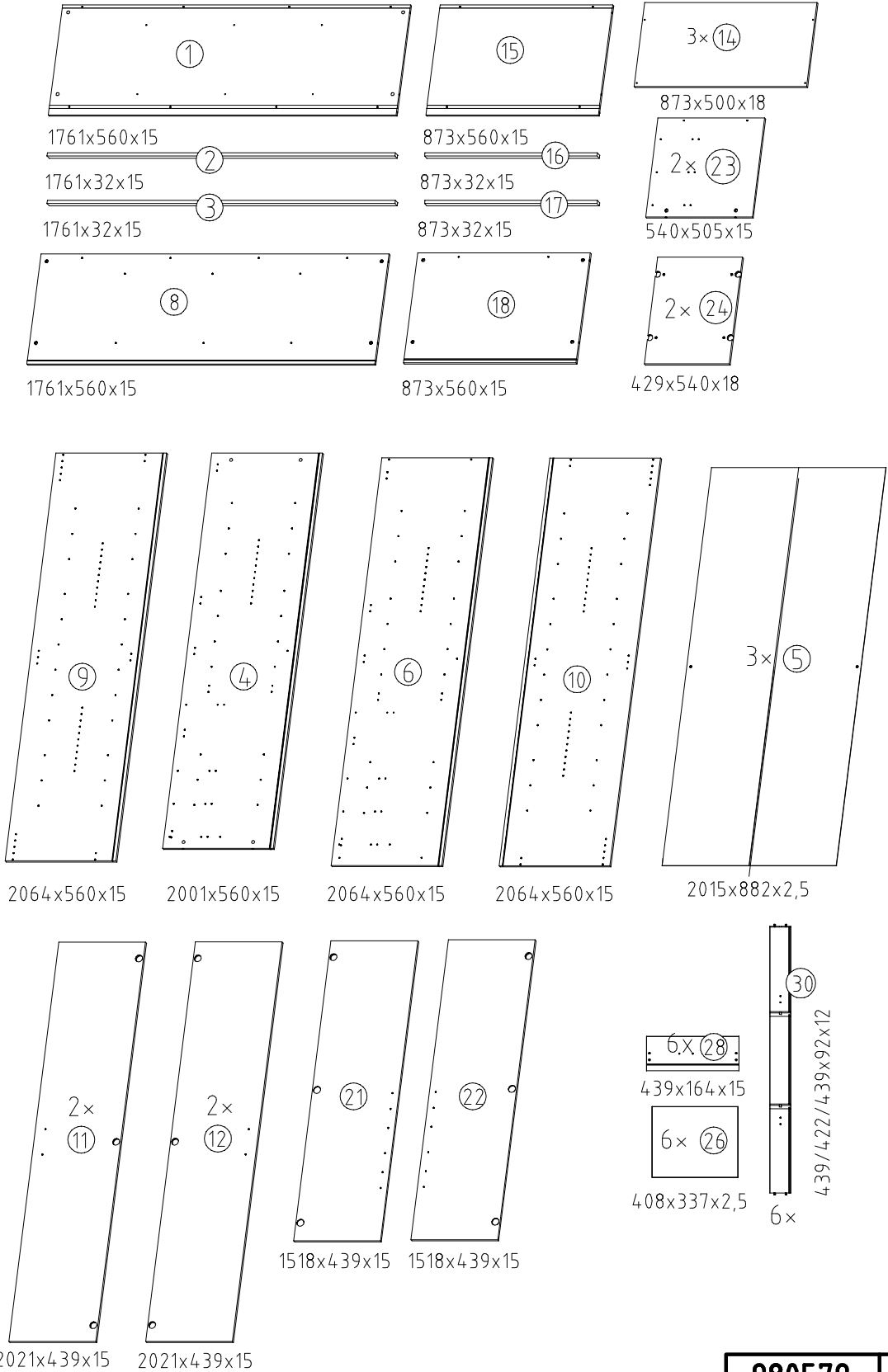
 111 103 M6 x 11 mm	<b>C</b> 16x
 121 181	<b>T6</b> 6x
 112 402 870mm	<b>K20</b> 3x
 111 102	<b>A</b> 24x

 121 375 3,5 x 35 mm	<b>G14</b> 12x
 117 001 3,5 x 15 mm	<b>K1</b> 6x
 121 370	<b>G1</b> 12x
 111 610	<b>L7</b> 12x

 112 268	<b>M</b> 18x
 111 229	<b>F</b> 8x
 111 174	<b>J1</b> 6x
 111 252	<b>VB23</b> 8x

 112 190 M6 x 10	<b>Y20</b> 12x
 112 616 M4 x 9 mm	<b>T3</b> 24x
 111 015	<b>G8</b> 12x

 112 267	<b>F3</b> 4x
 112 267	<b>N</b> 18x
 112 267	<b>Z</b> 4x

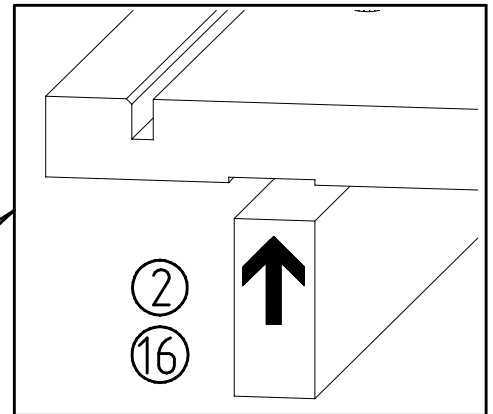
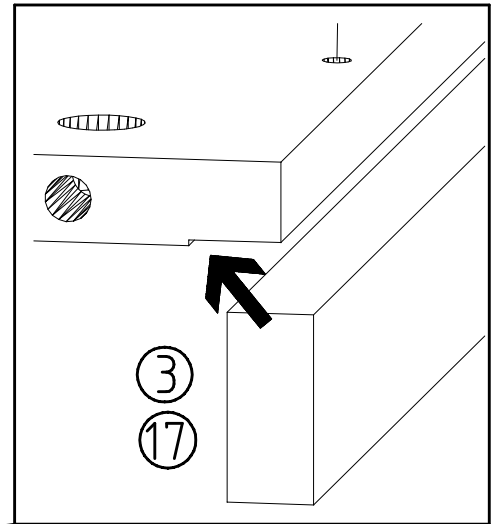
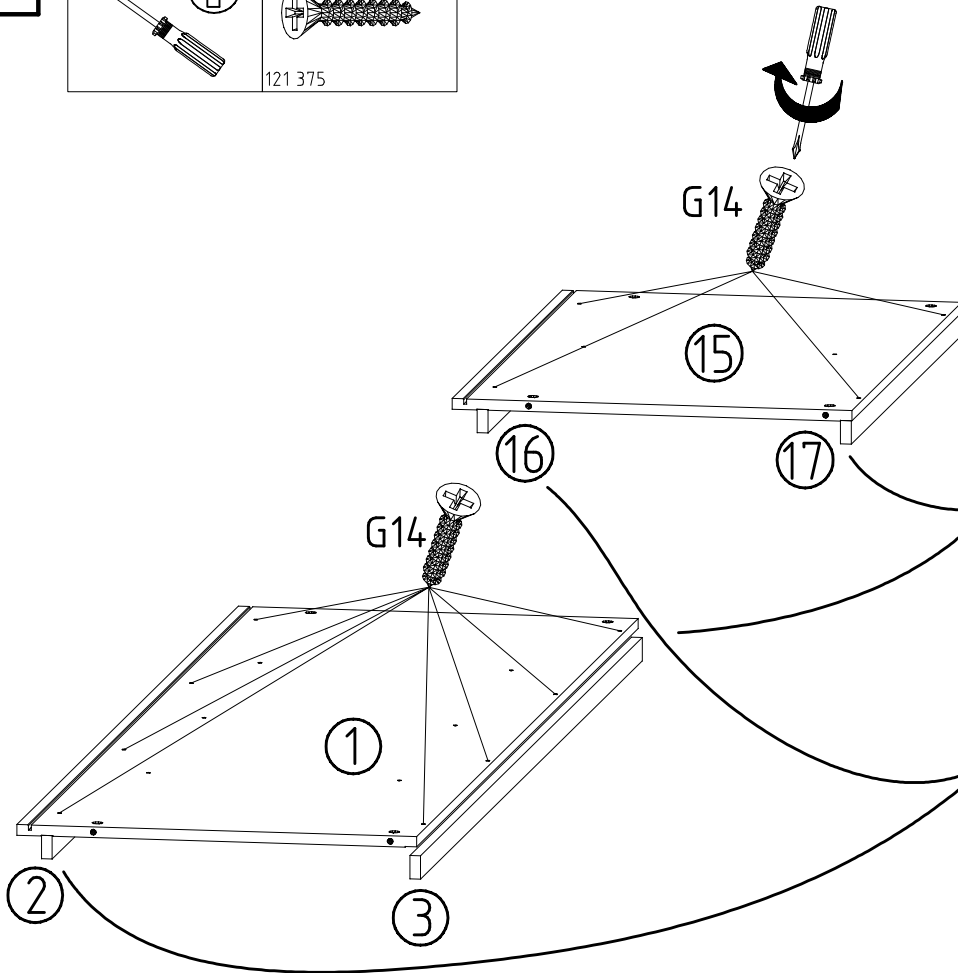
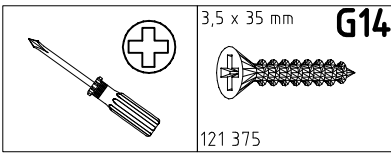


0  
10 mm  
20 mm  
30 mm  
40 mm  
50 mm  
60 mm  
70 mm  
80 mm  
90 mm  
100 mm

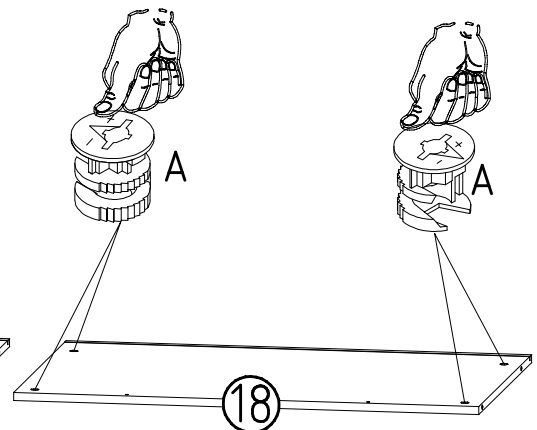
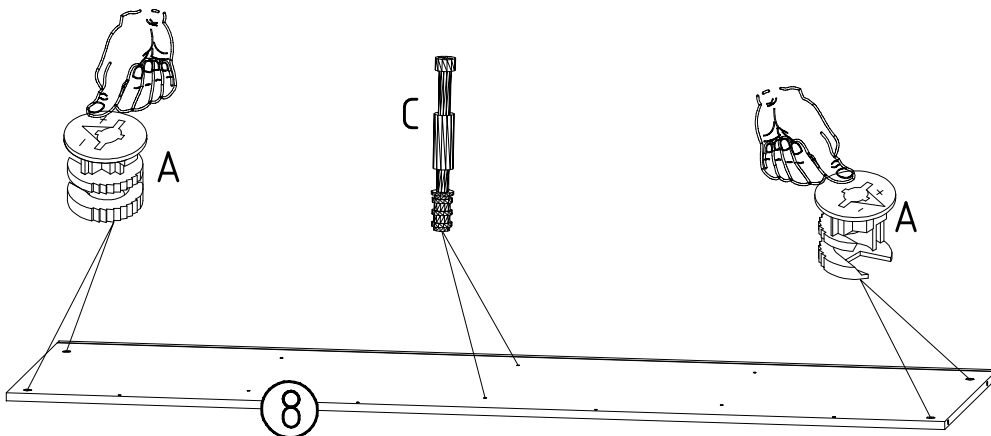
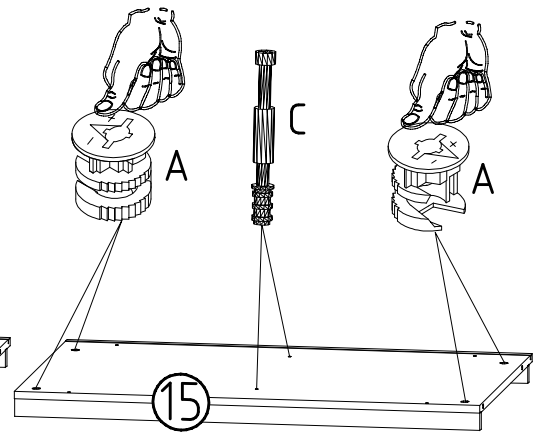
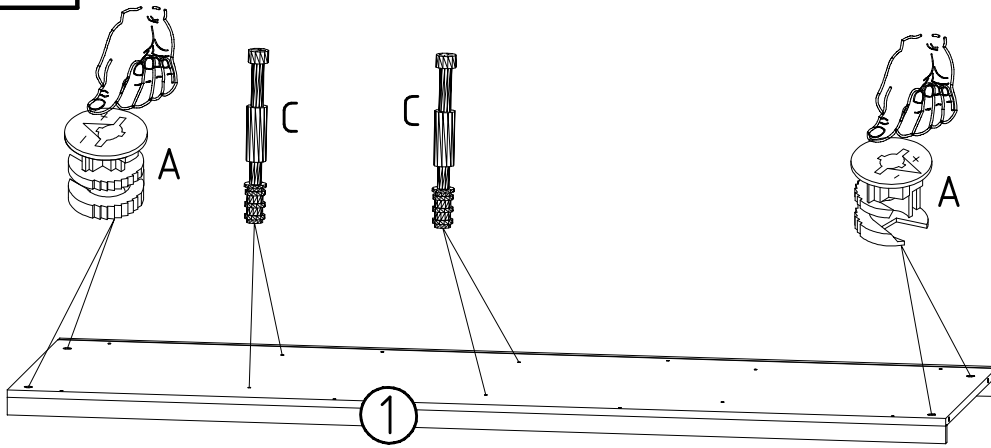
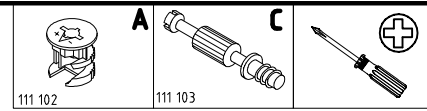
5mm

111 103

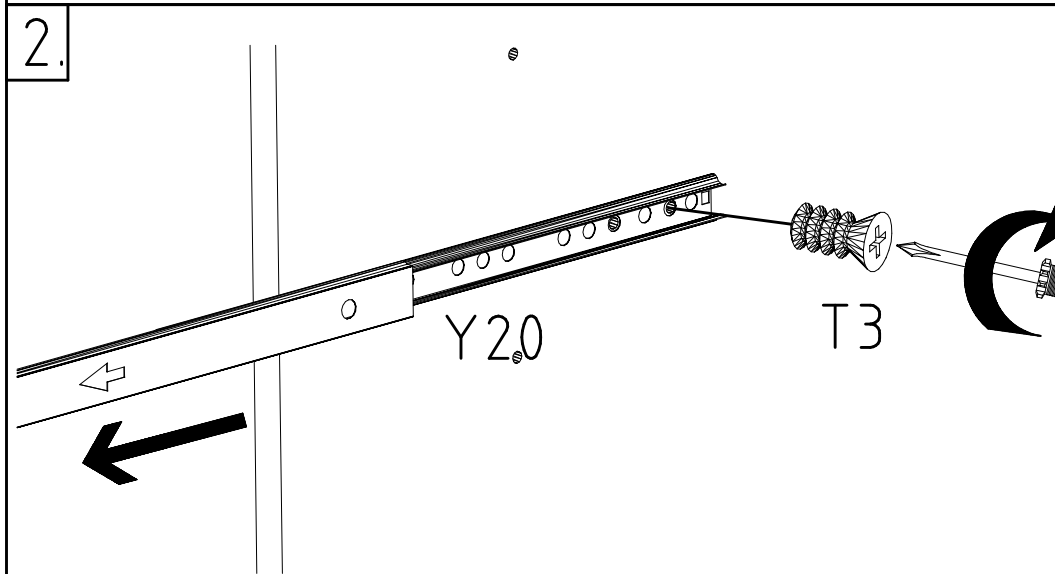
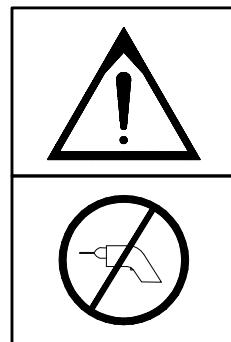
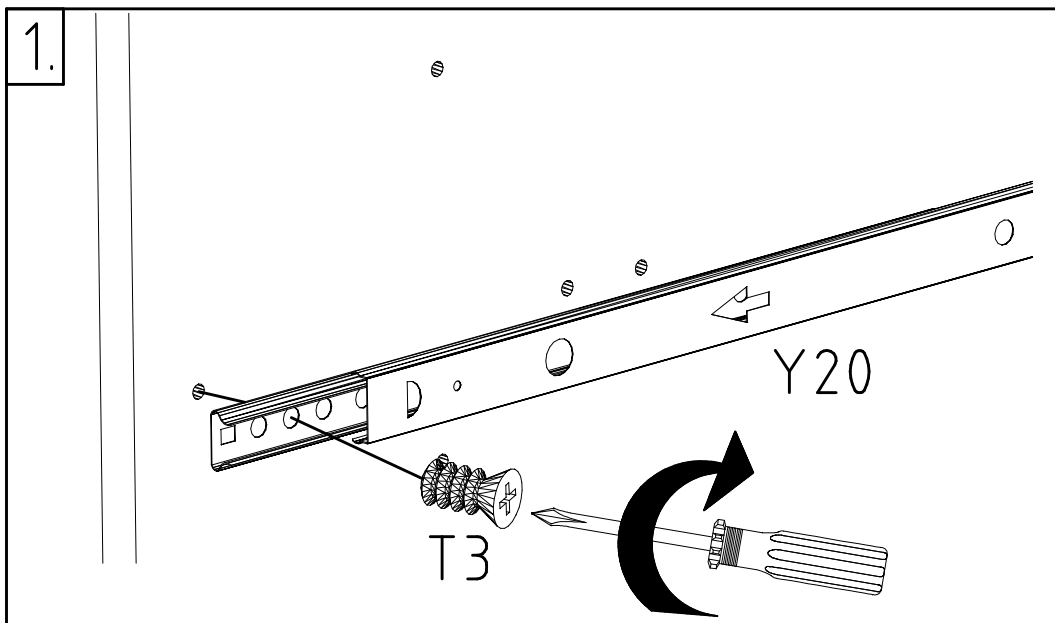
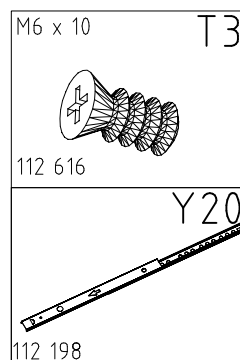
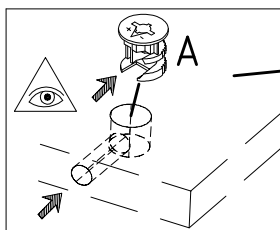
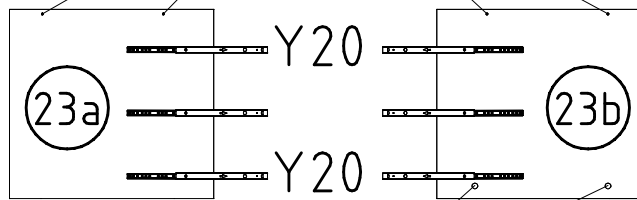
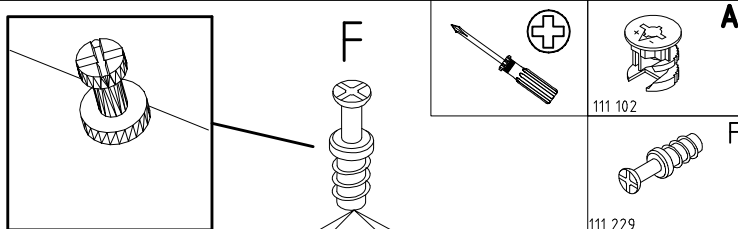
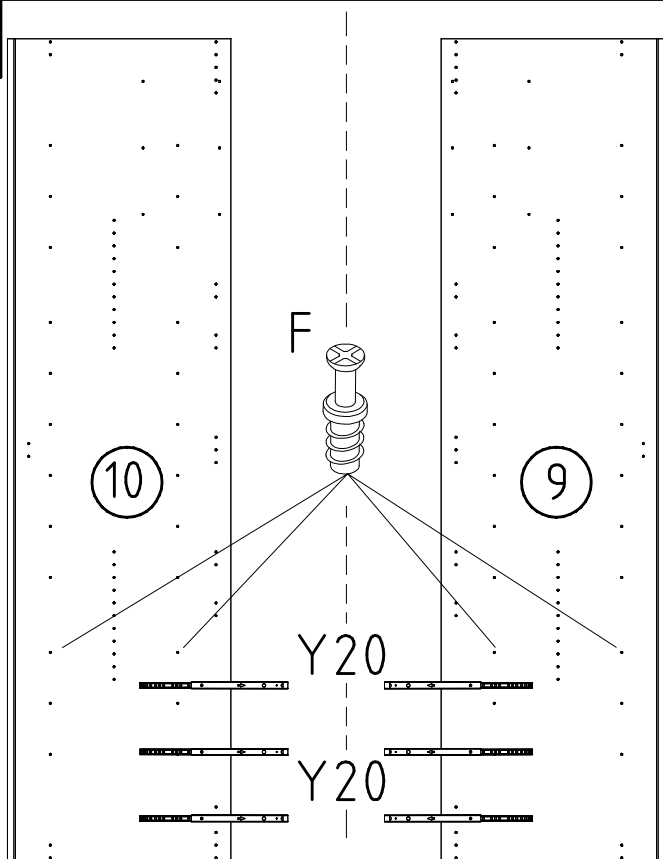
1



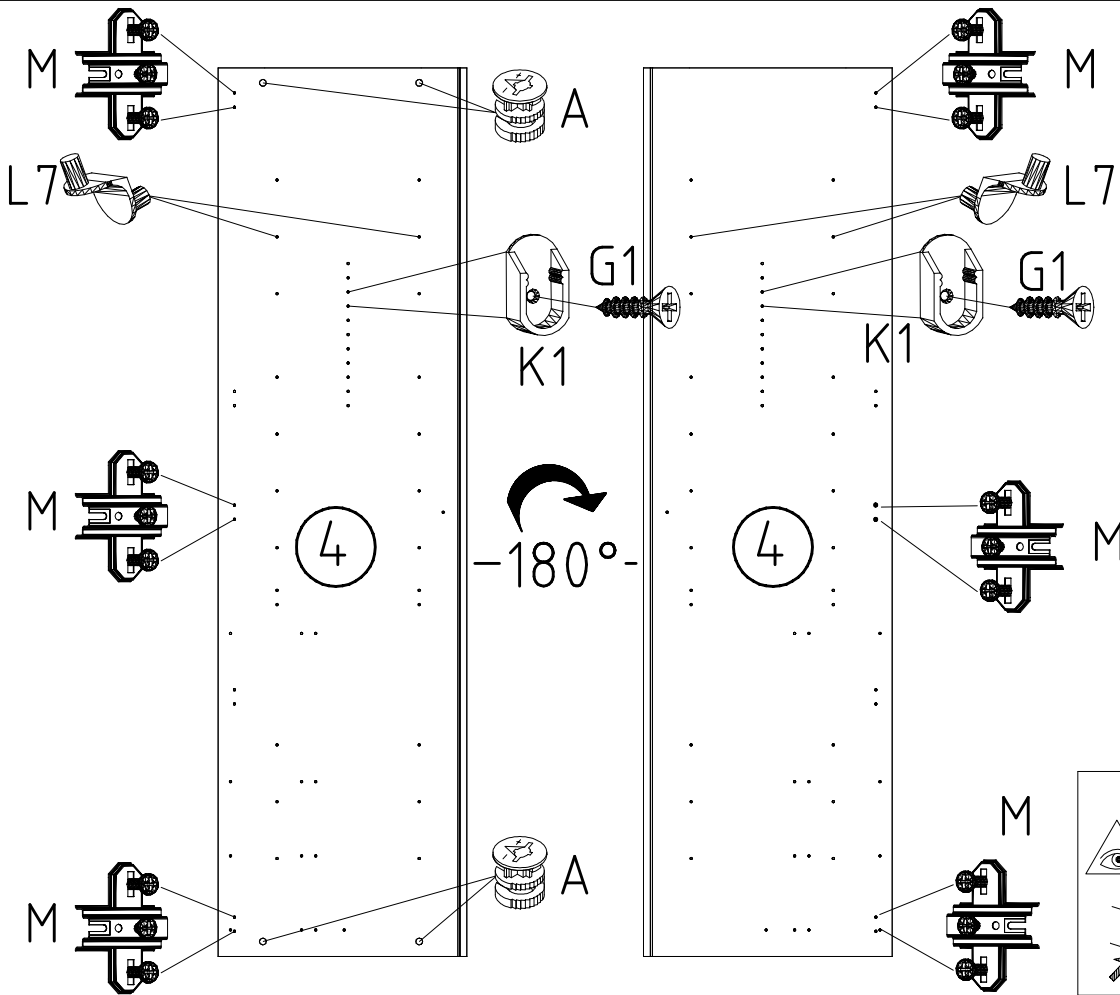
2



3



4



L7

111 610

K1

117 001  
3,5 x 15 mm

G1

121 370

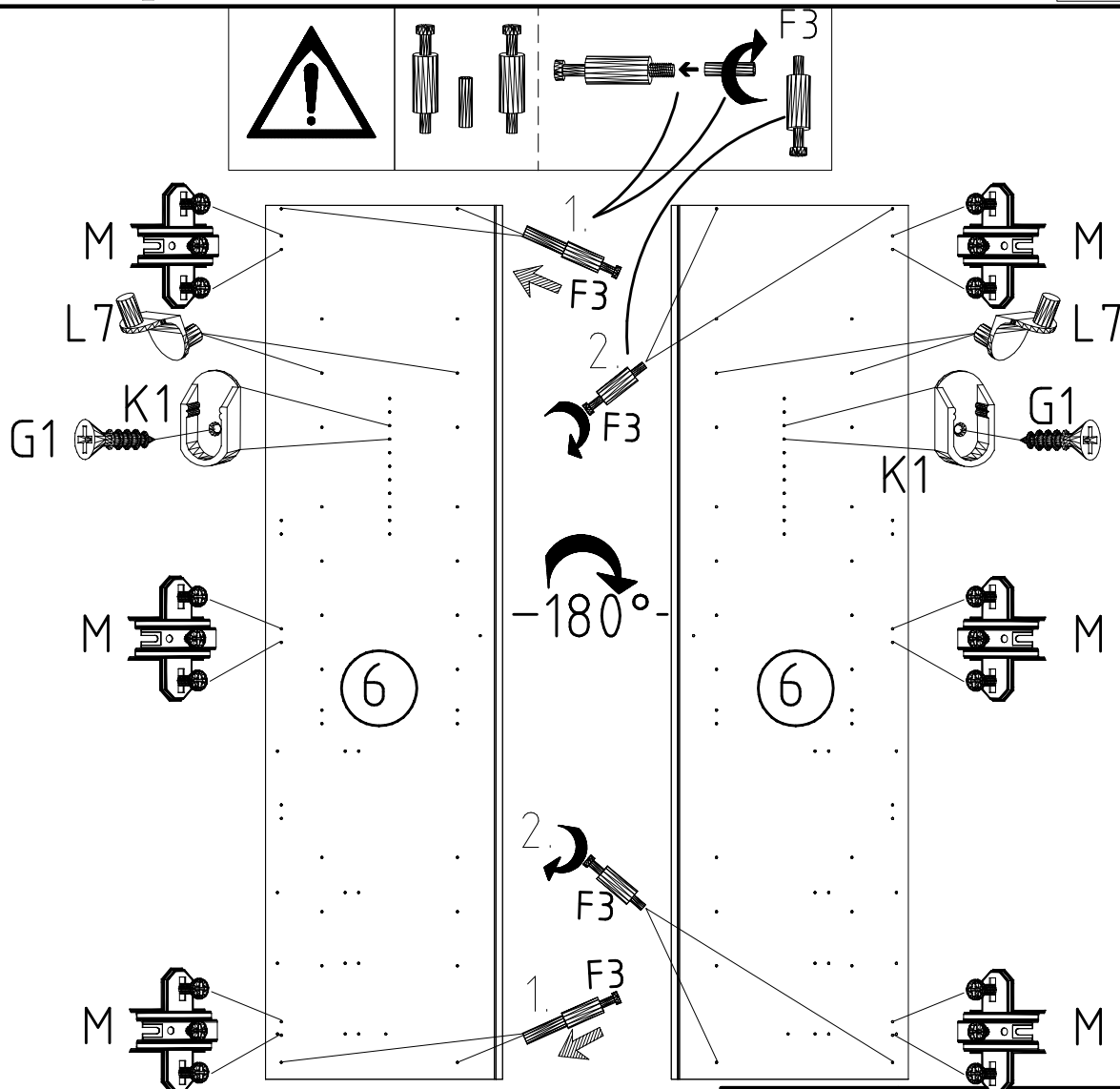
A

111 102

M

112 268

5



L7

111 610

K1

117 001  
3,5 x 15 mm

G1

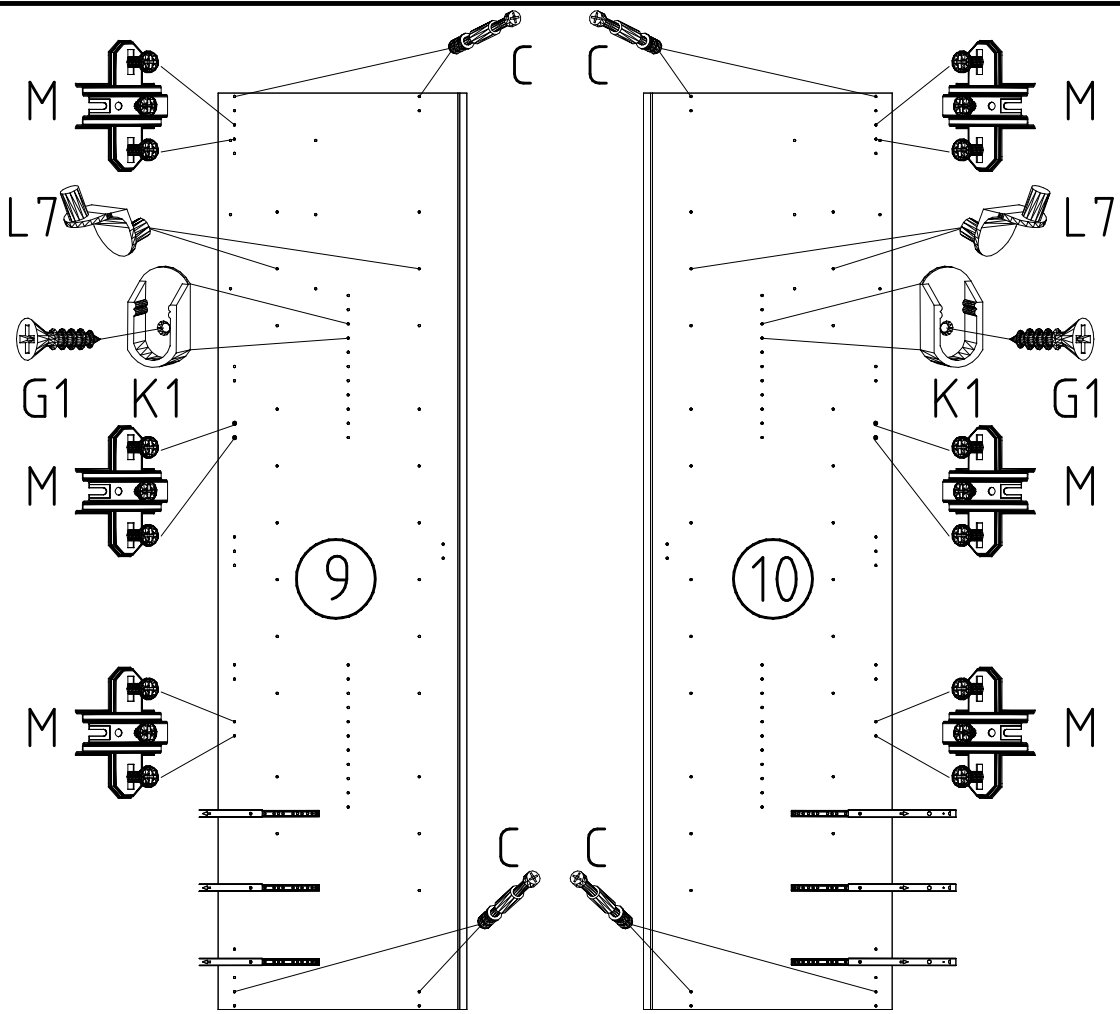
121 370

F3

M

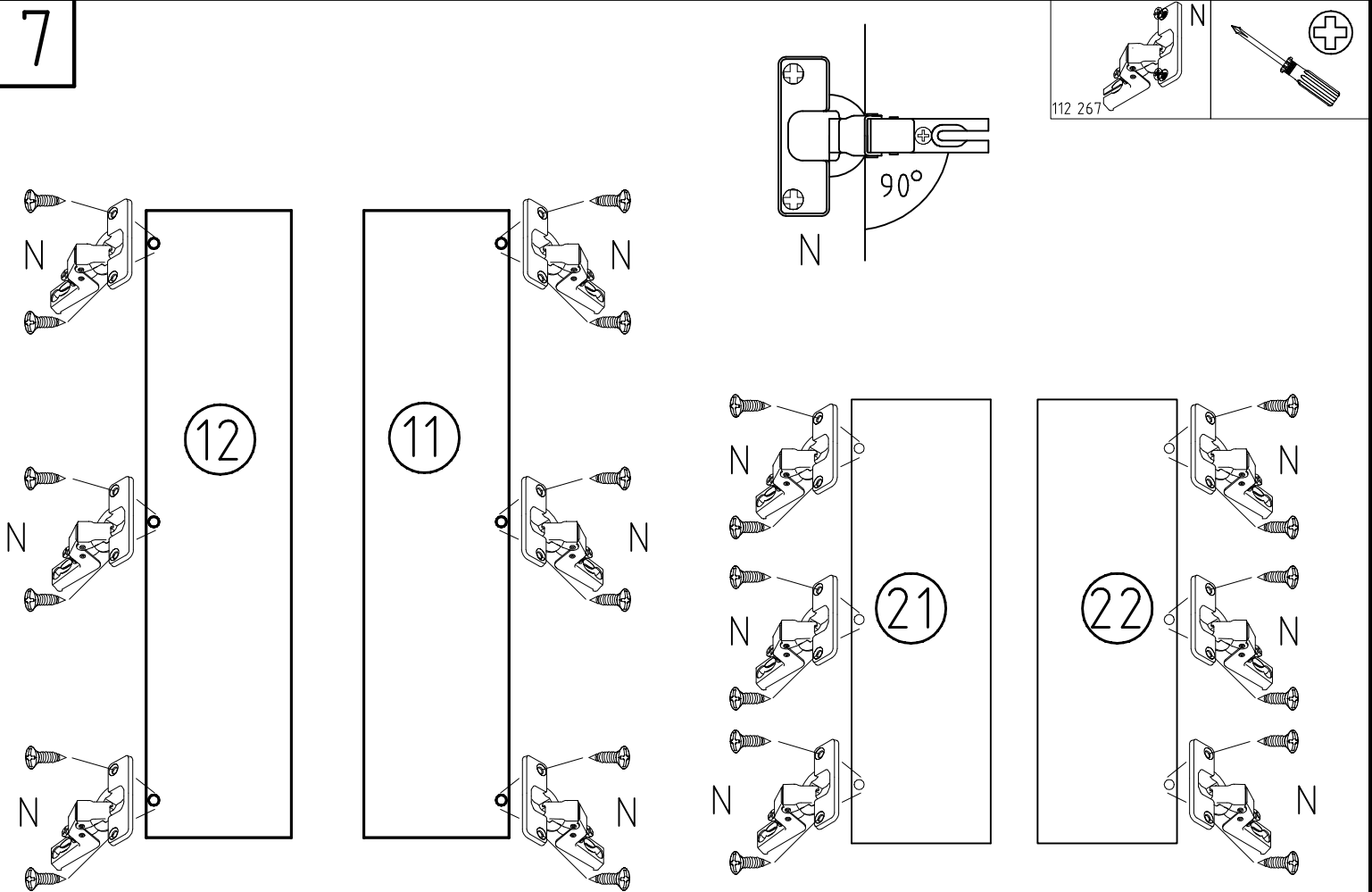
112 268

6



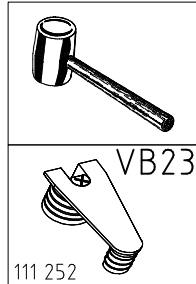
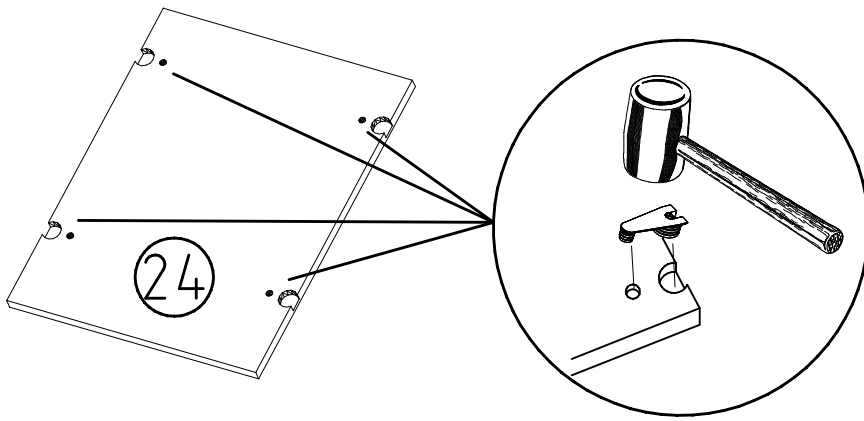
	L7
111 610 3,5 x 15 mm	G1
121 370	M
112 268	K1
117 001	C
111 103	

7

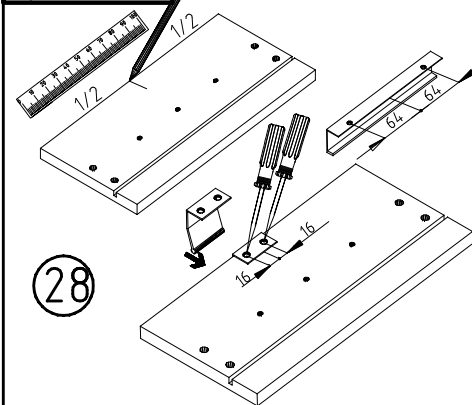
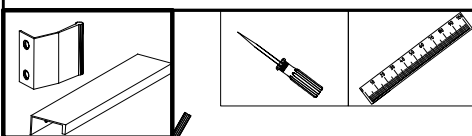
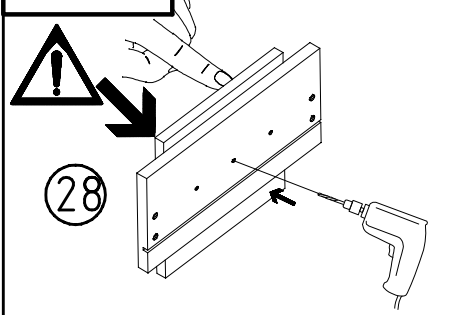
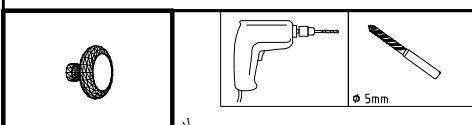
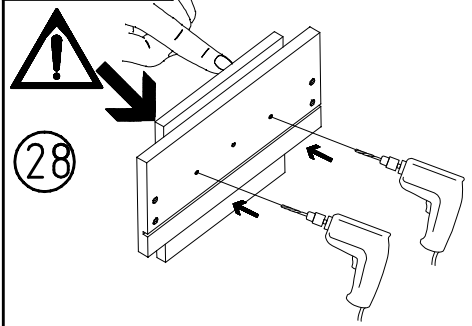
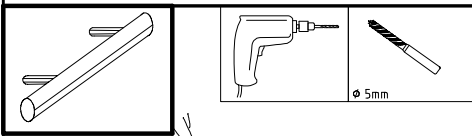
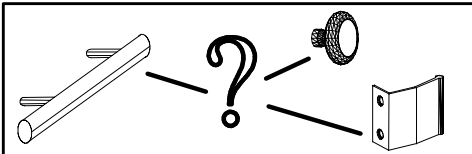
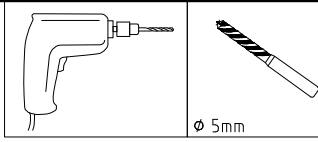




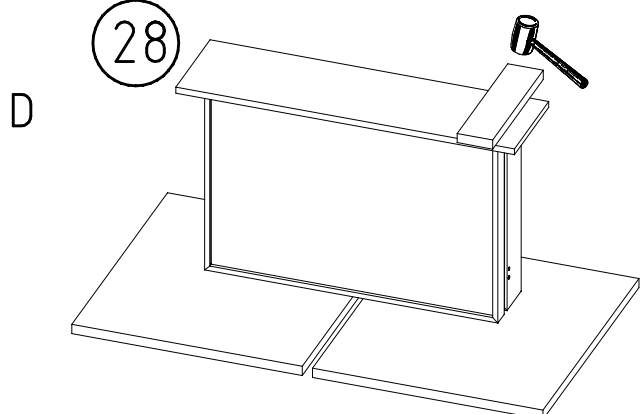
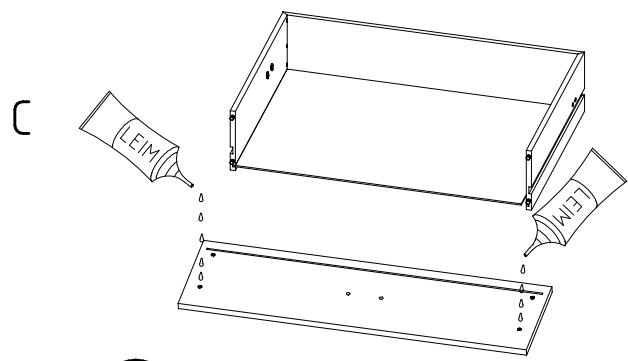
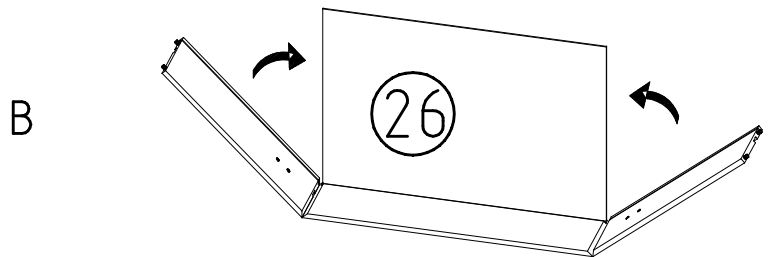
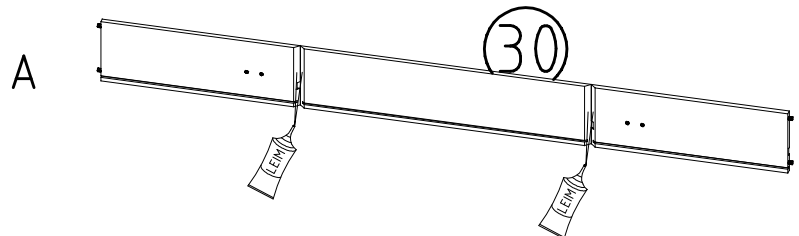
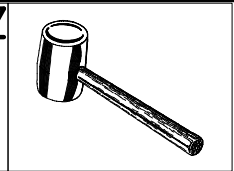
8



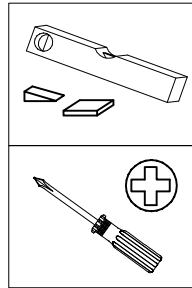
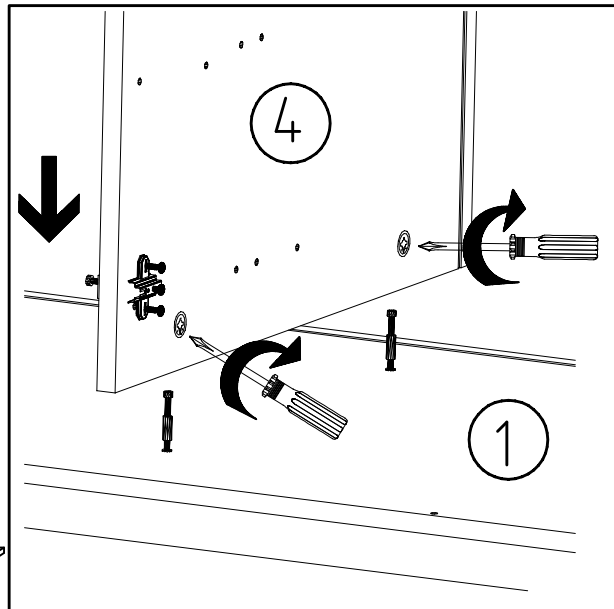
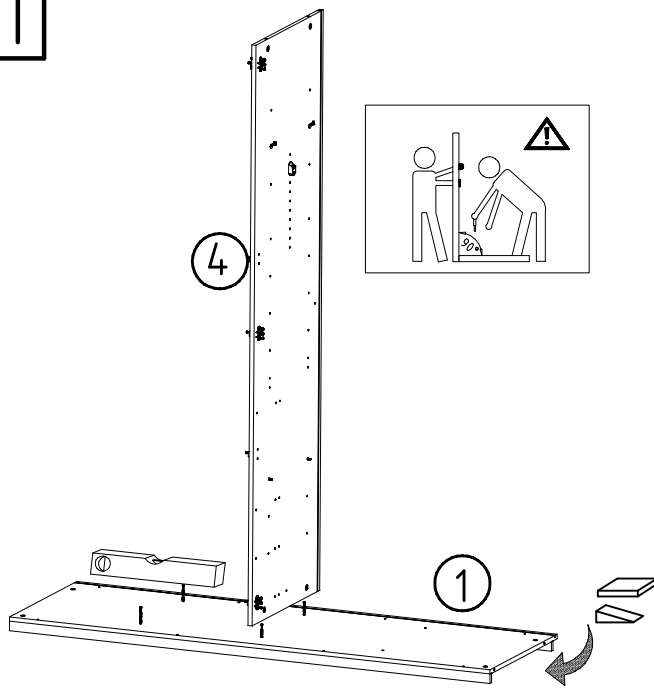
9



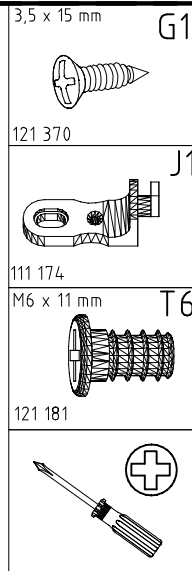
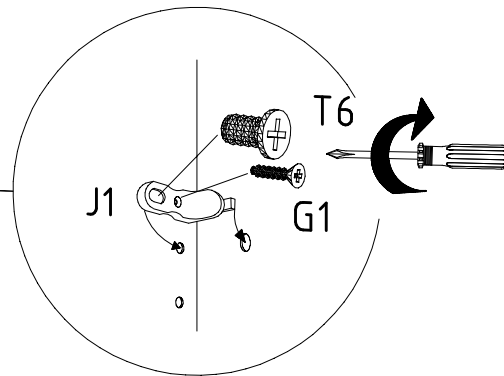
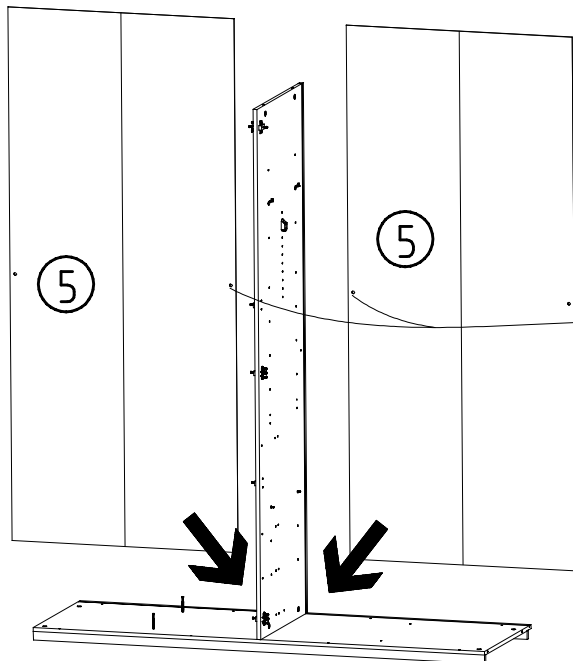
10



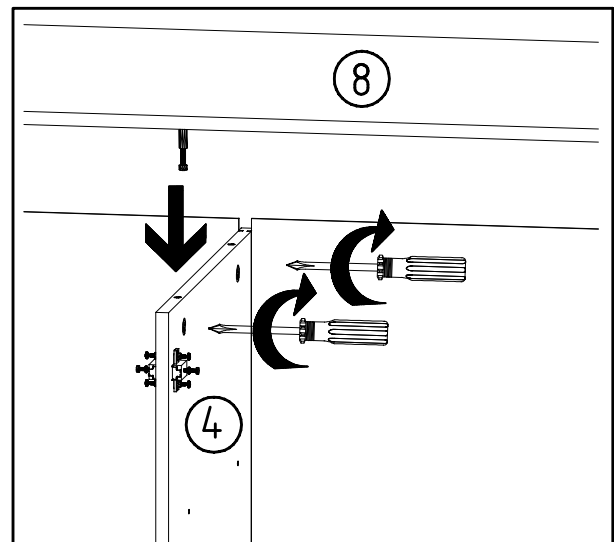
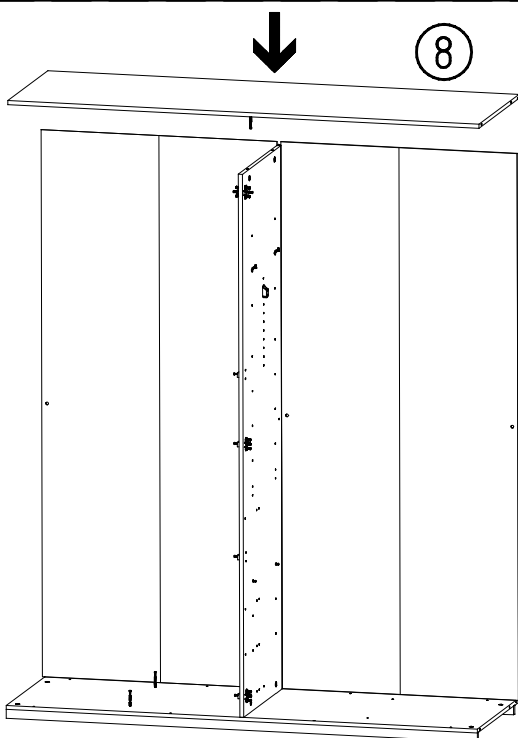
11



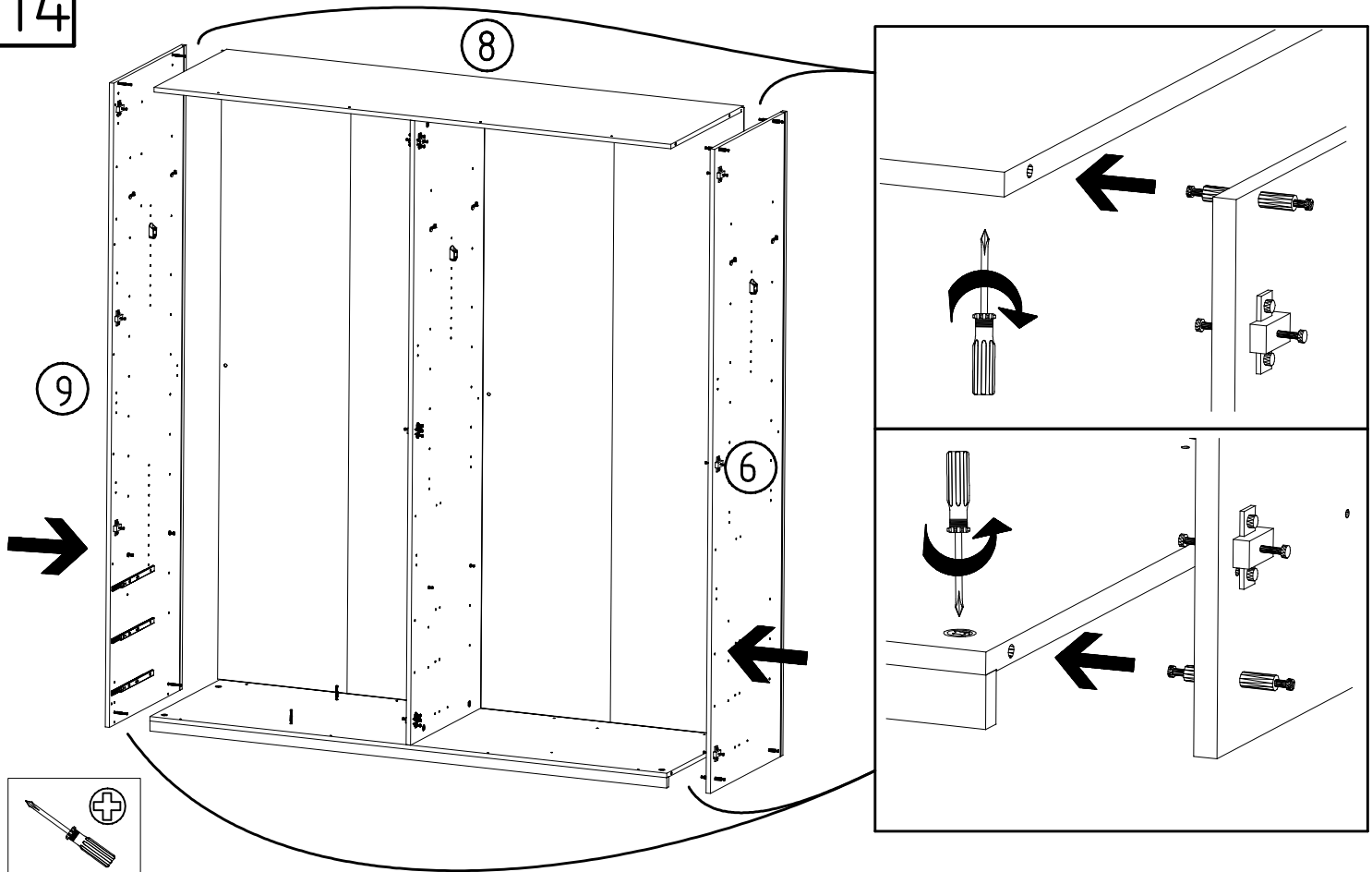
12



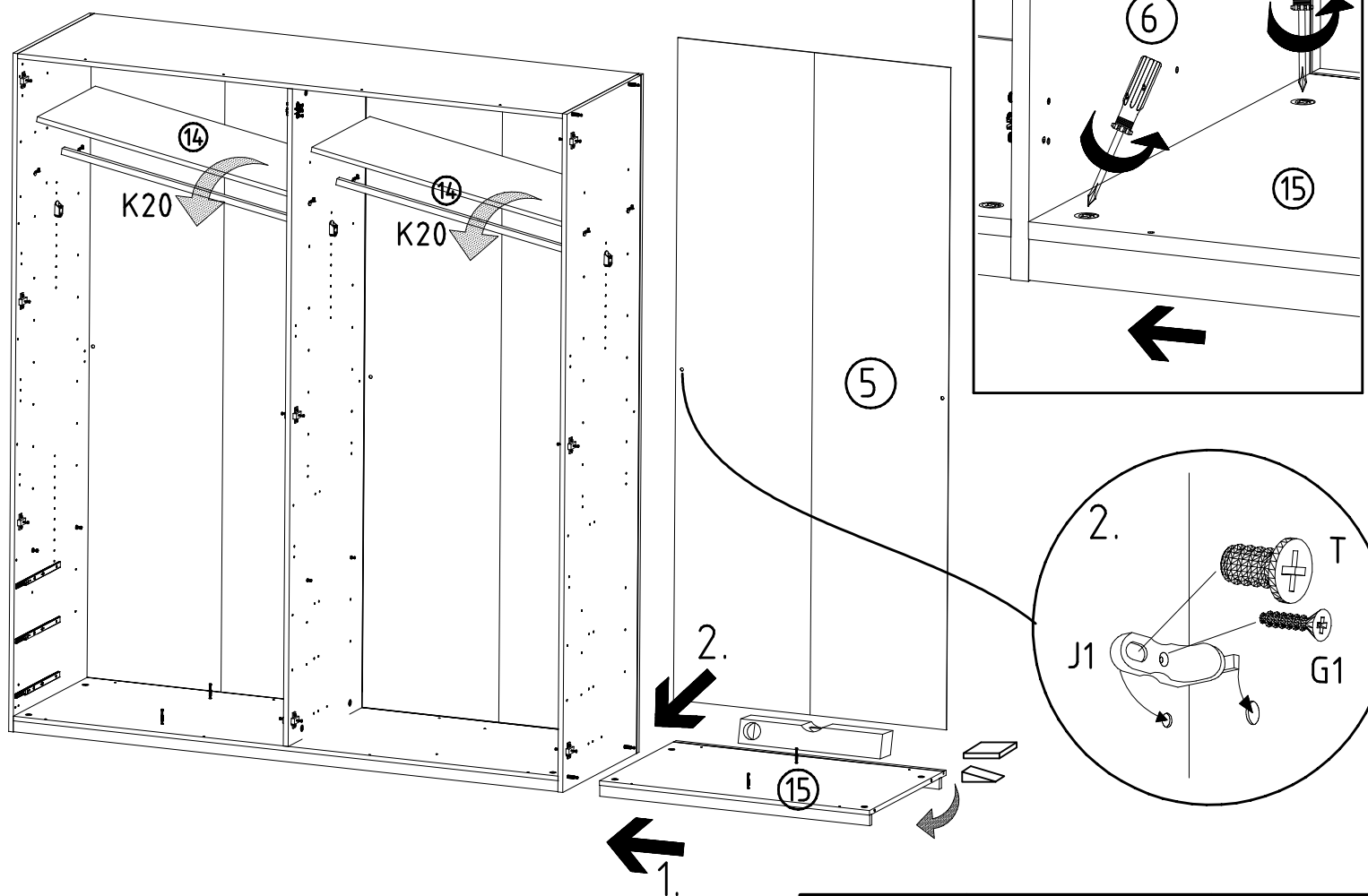
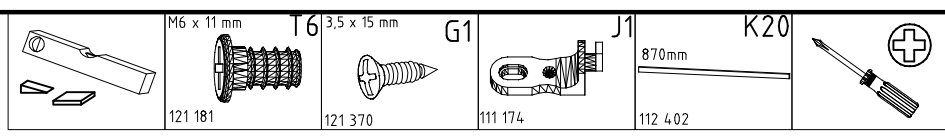
13



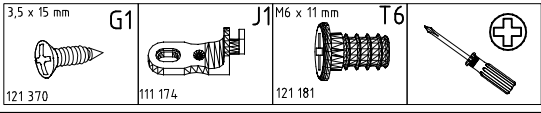
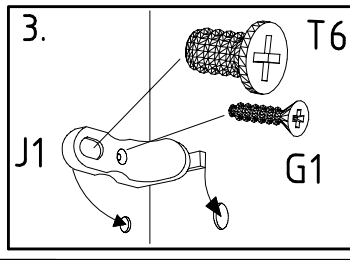
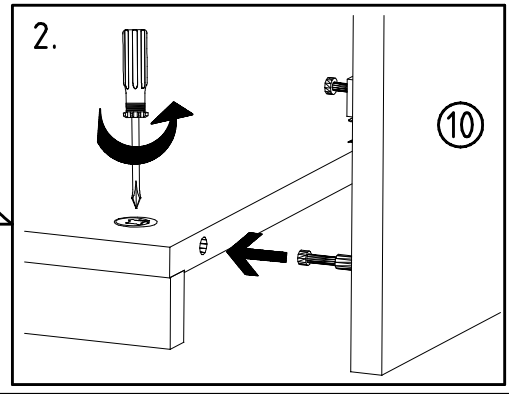
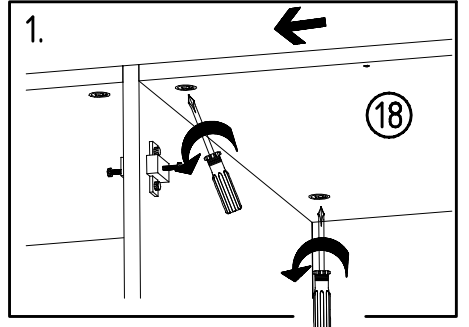
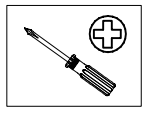
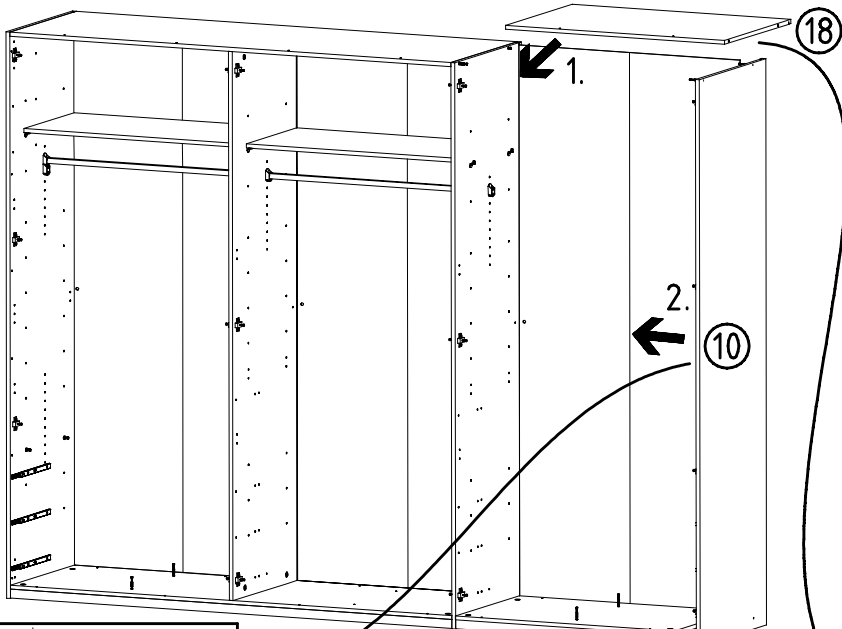
14



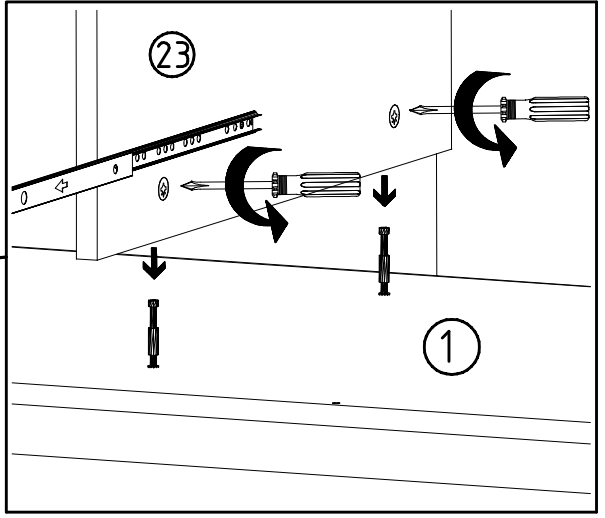
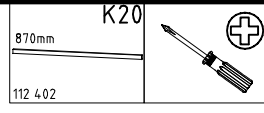
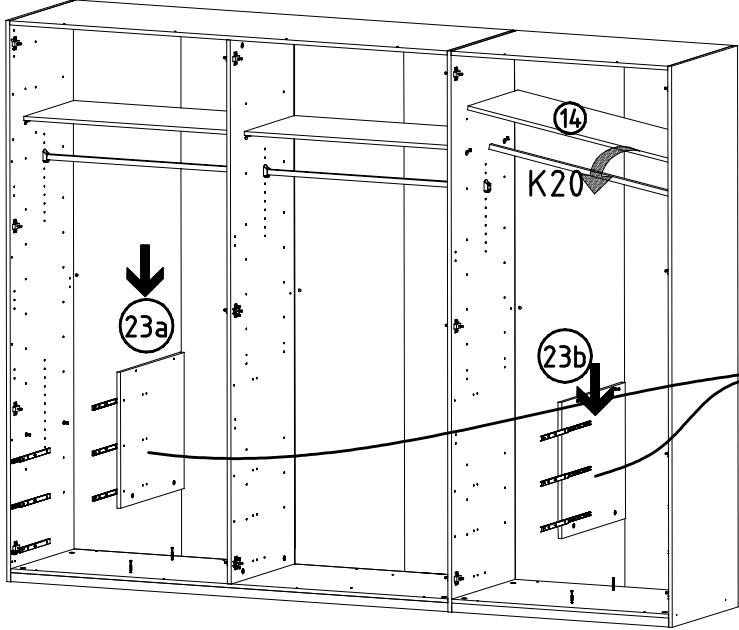
15



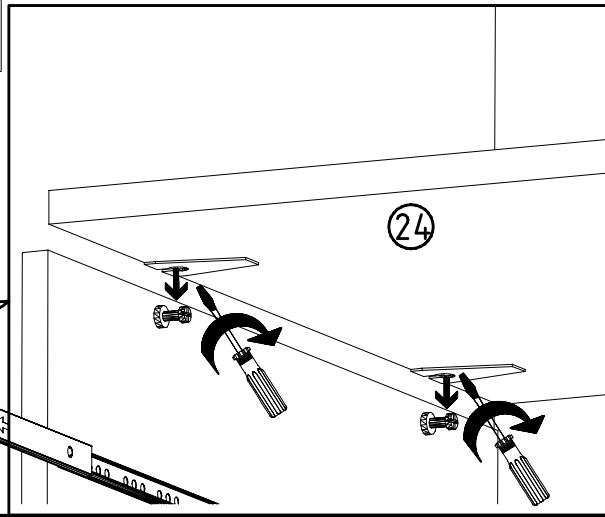
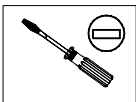
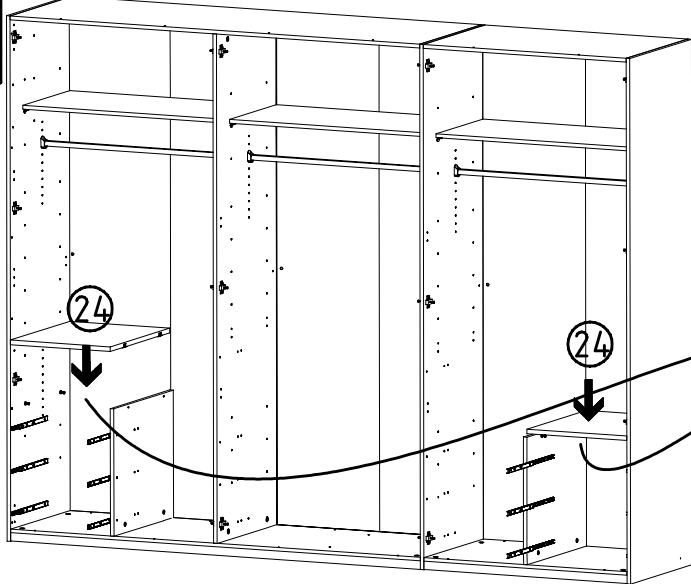
16



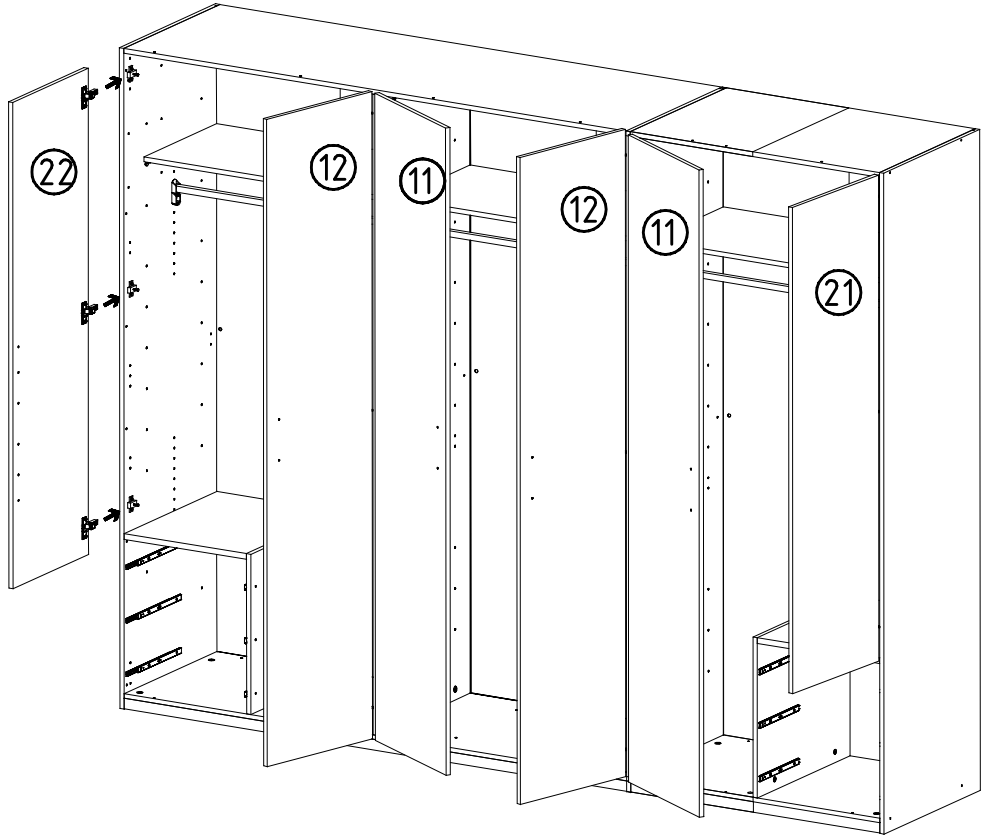
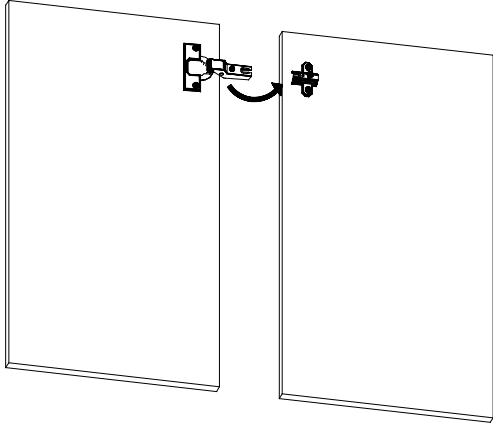
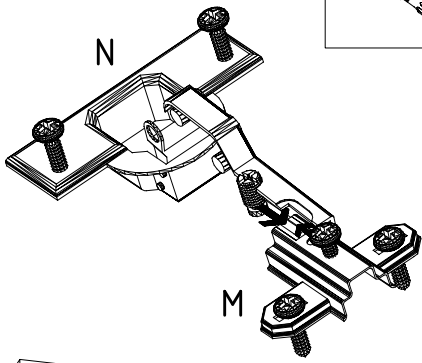
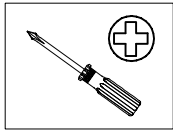
17



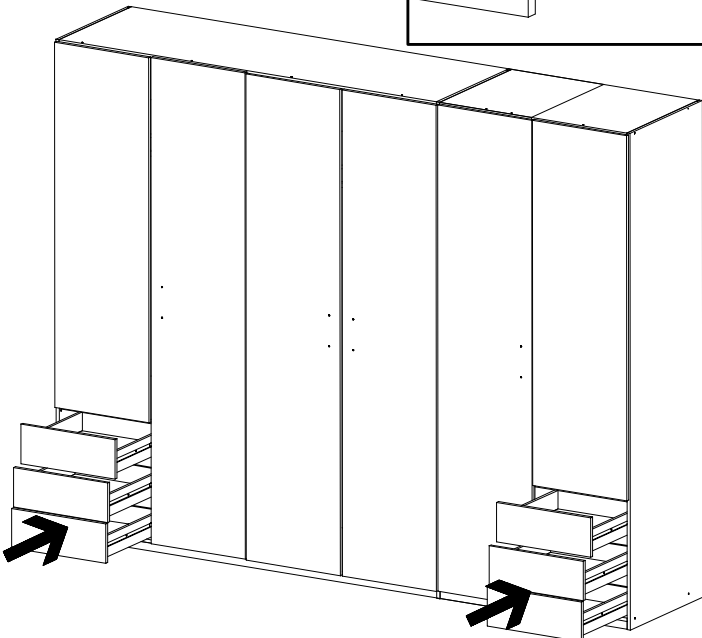
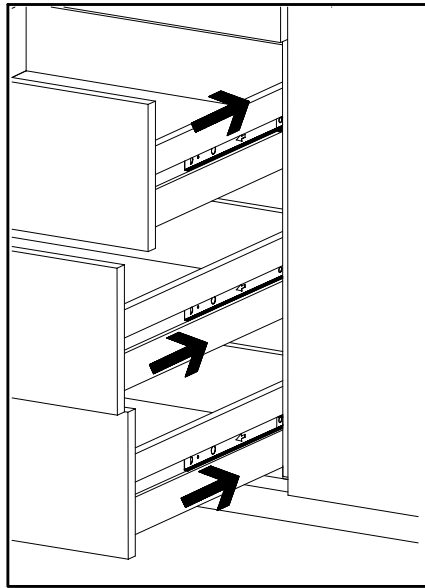
18



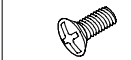
19



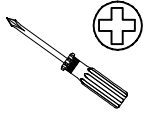
20



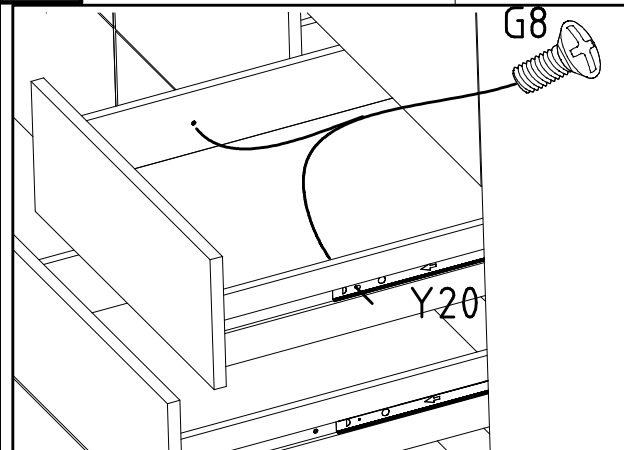
M4 x 9 mm **G8**

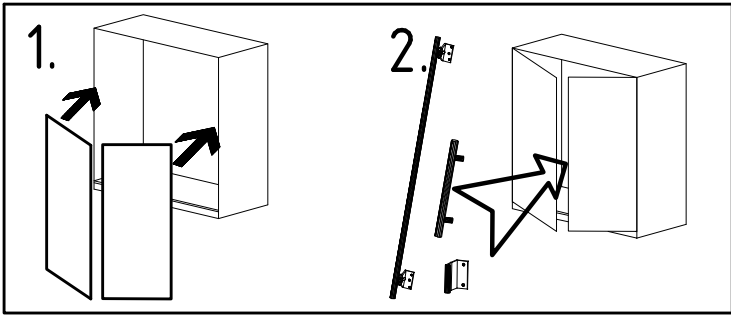
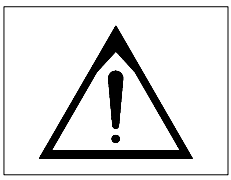


111 015

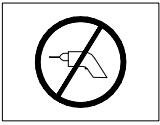
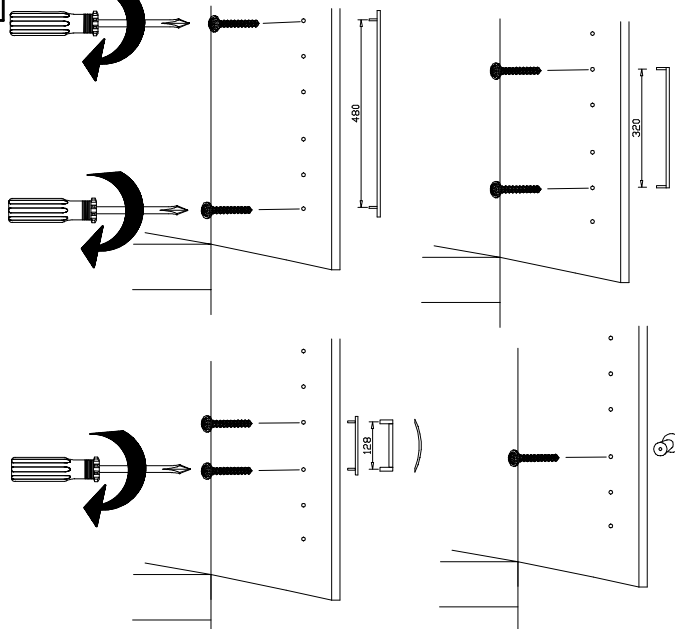
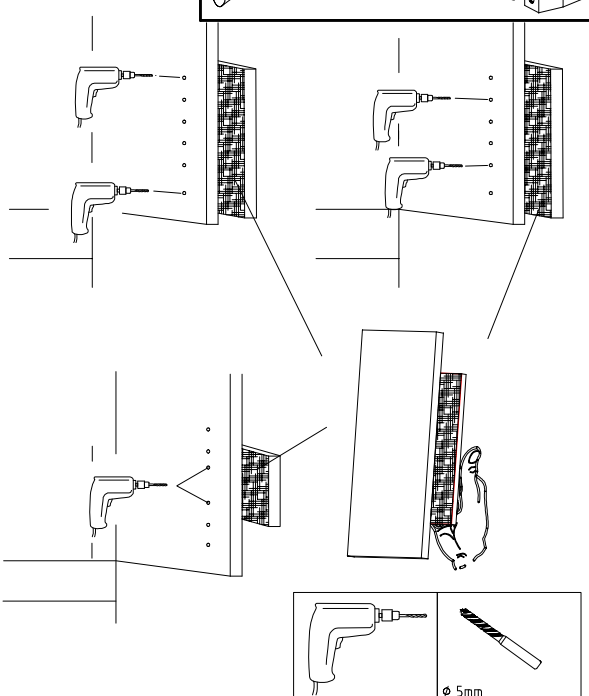
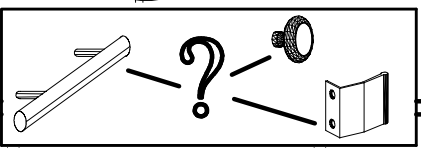
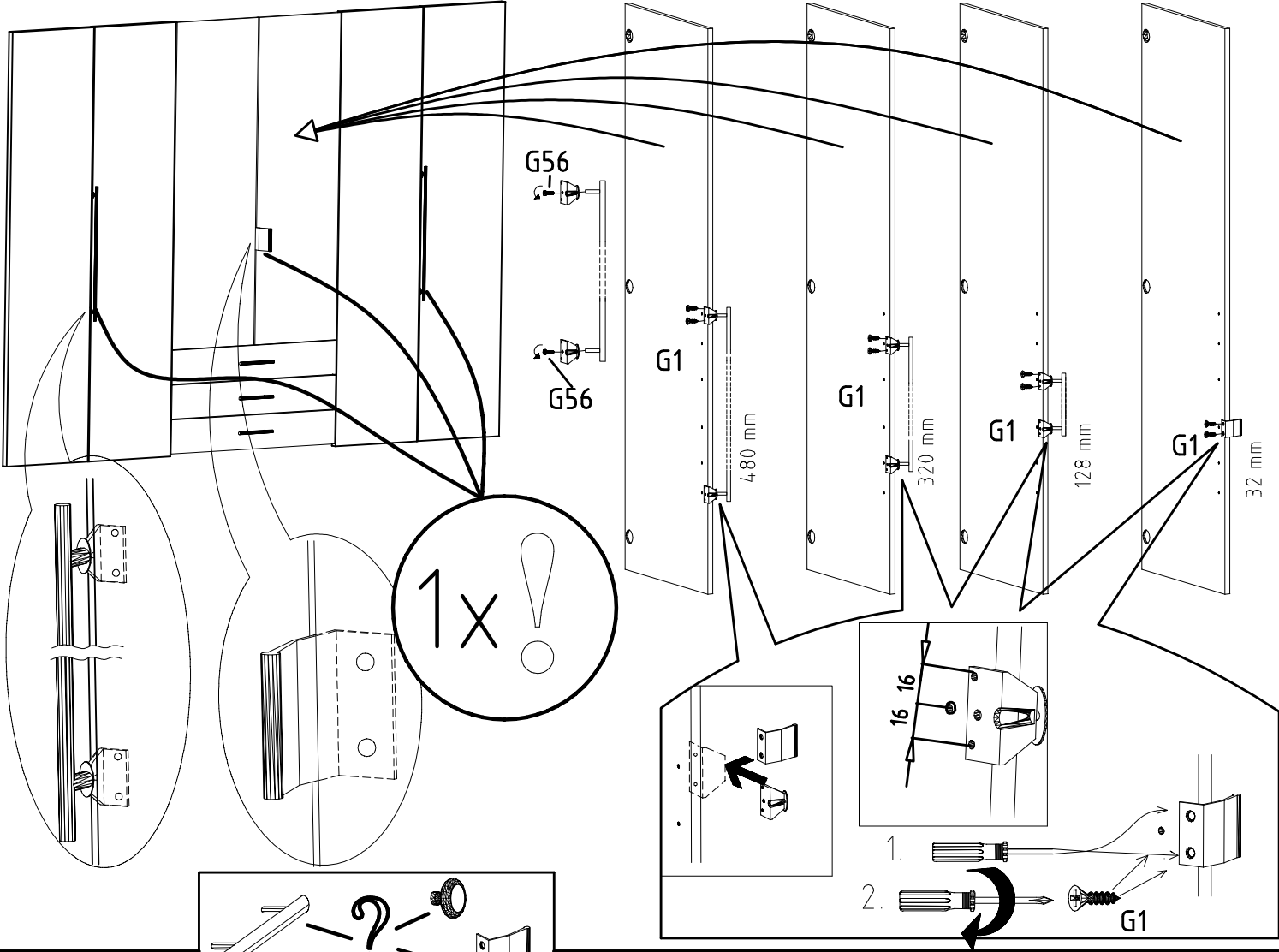


21





3,5 x 15 mm 121 370	G1	4,0 x 12 mm 122 625	G56
------------------------	----	------------------------	-----



	SP27
4 X 27mm	
122620	
4,0x22	G49
122 609	

