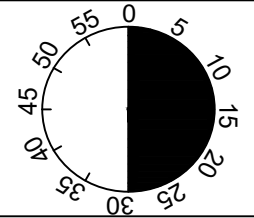
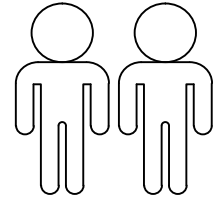
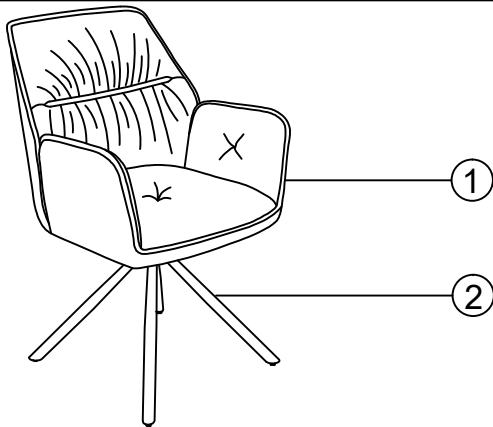
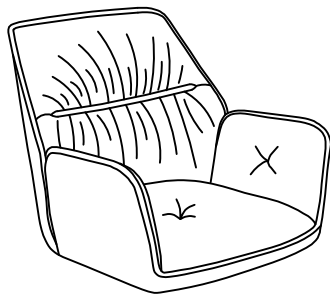


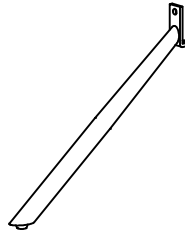
Amira



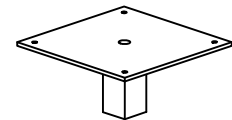
1



2

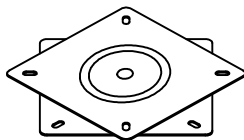


3



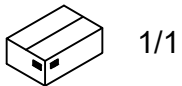
AP 60 165x165mm AR

4






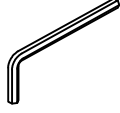
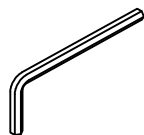



DT 270° AR
175X175mm

1	1x
2	4x
3	1x
4	1x

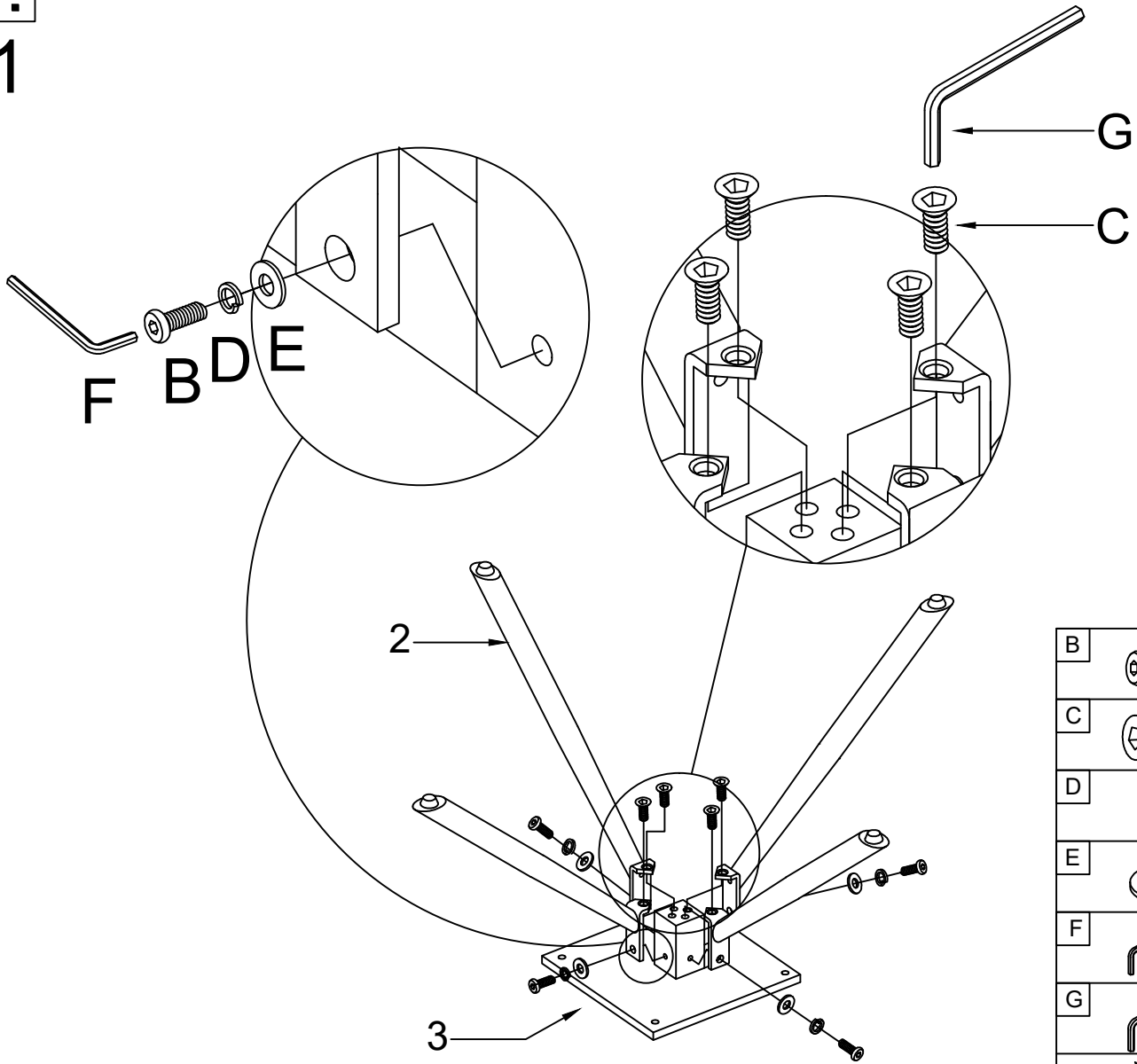


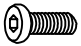






1/1

A	M6X10	B	M6X20	C	M8X16	D	M6	E	Ø18xØ6x1.5	F	4MM
											
4x		8x		4x		4x		12x		1x	
G	5MM	H	Ø17xØ6.5x4								
											
1x		2x									

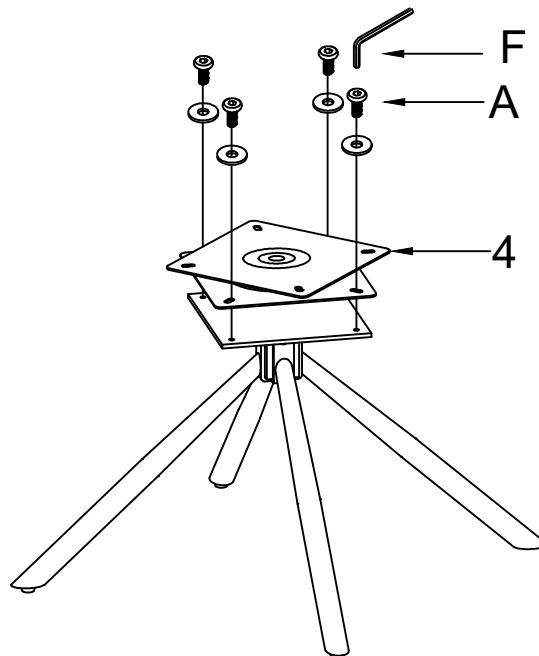
I.





1



B		M6x20 4x
C		M8x16 4x
D		M6 4x
E		Ø18xØ6x1.5 4x
F		4MM 1x
G		5MM 1x
		

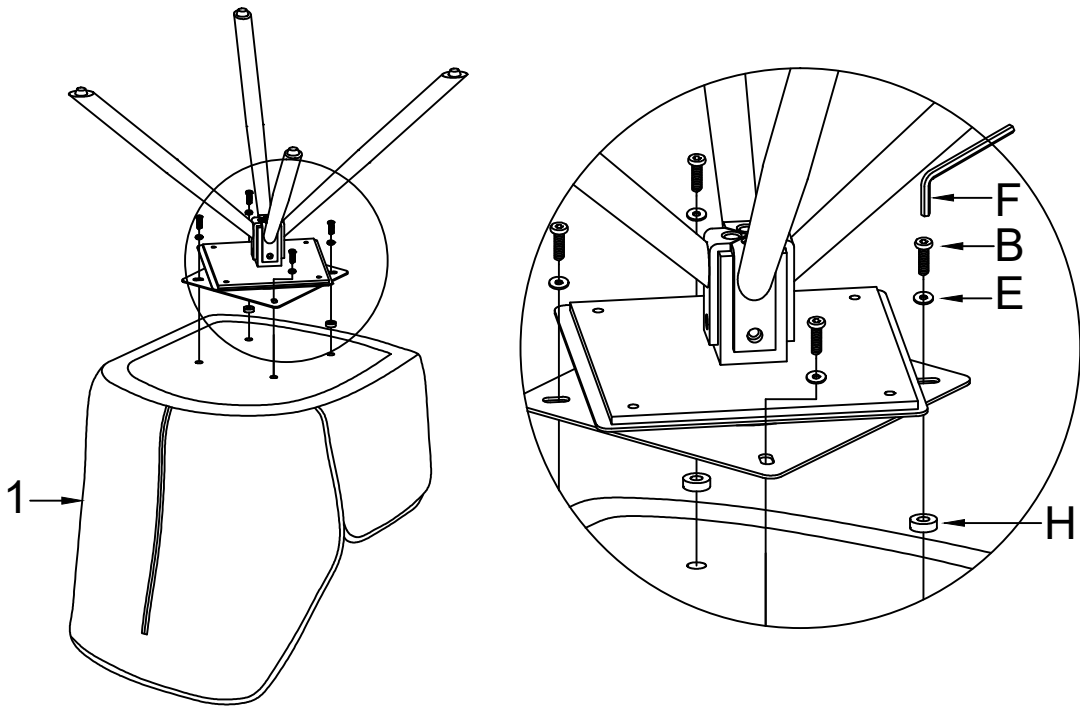
2








A		M6x10 4x
E		Ø18xØ6x1.5 4x
F		4MM 1x
		

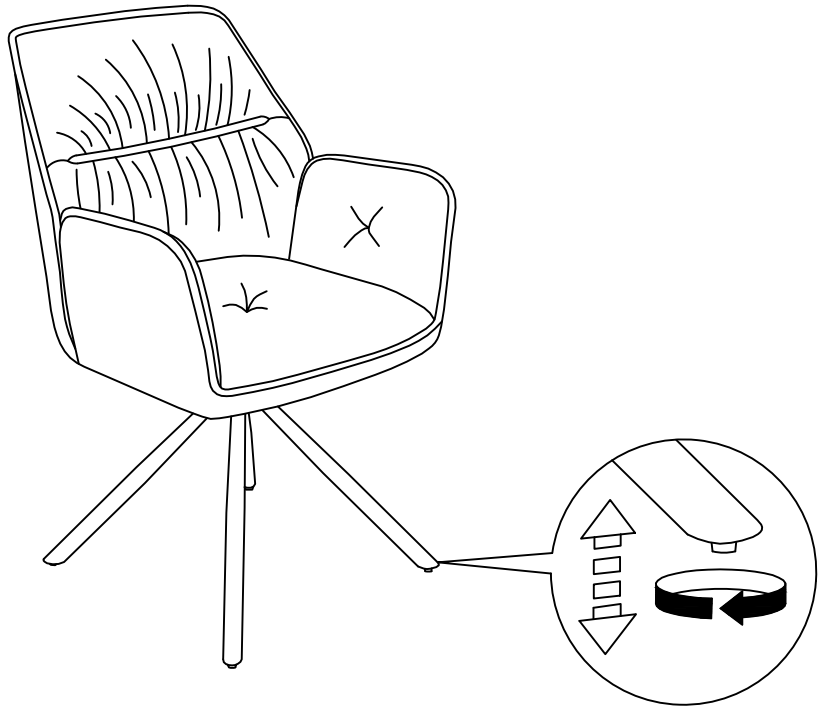
II.



3



B	M6X20
	
	4x
E	Ø18xØ6x1.5
	
	4x
F	4MM
	
	1x
H	Ø17xØ6.5x4
	
	2x
	

4



F	4MM
	
	1x
	



LE TRI + FACILE



Séparez les éléments avant de trier