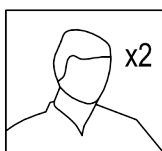
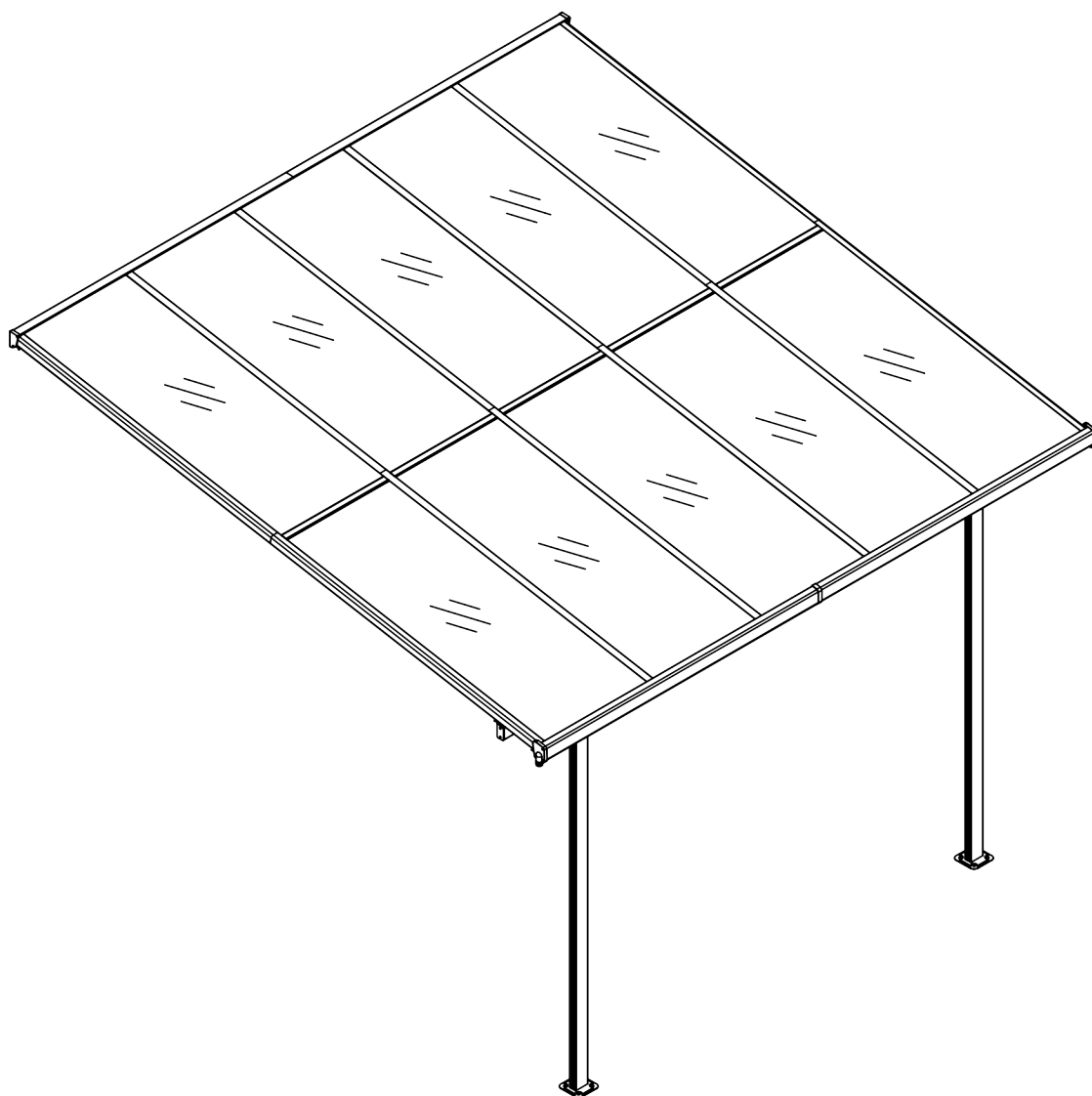




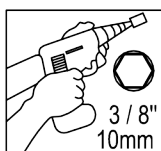
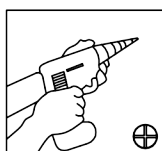
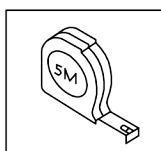
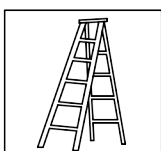
# WESTMANN

## MONTAGEANLEITUNG

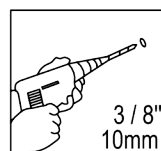
Aluminium Terrassendach 300 x 313 cm



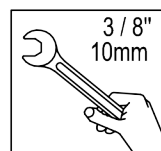
x2



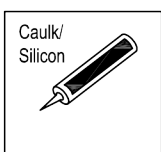
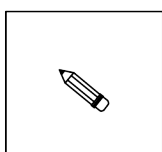
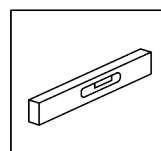
3 / 8"  
10mm



3 / 8"  
10mm



3 / 8"  
10mm



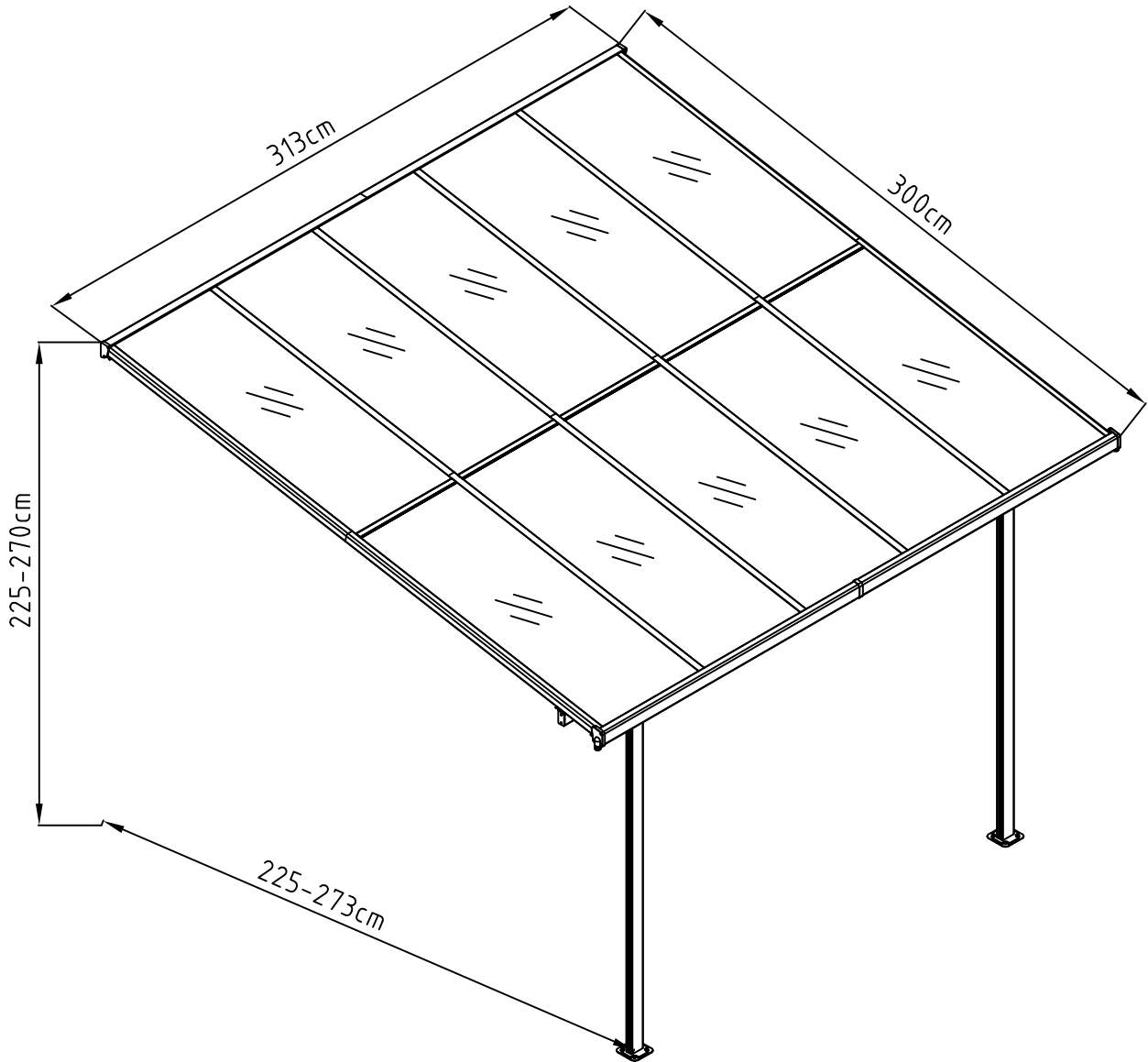
Caulk/  
Silicon

**BEI FRAGEN, KONTAKTIEREN SIE  
UNSEREN KUNDENSERVICE:**

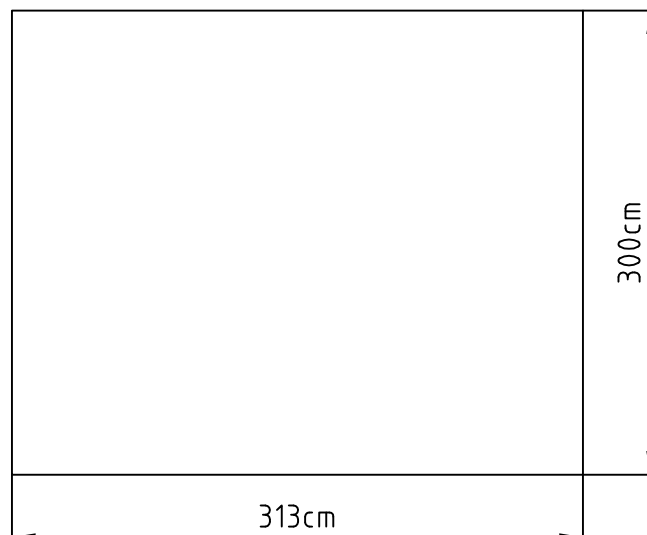
50NRTH GmbH  
Straßburgstraße 14-16  
D-54516 Wittlich

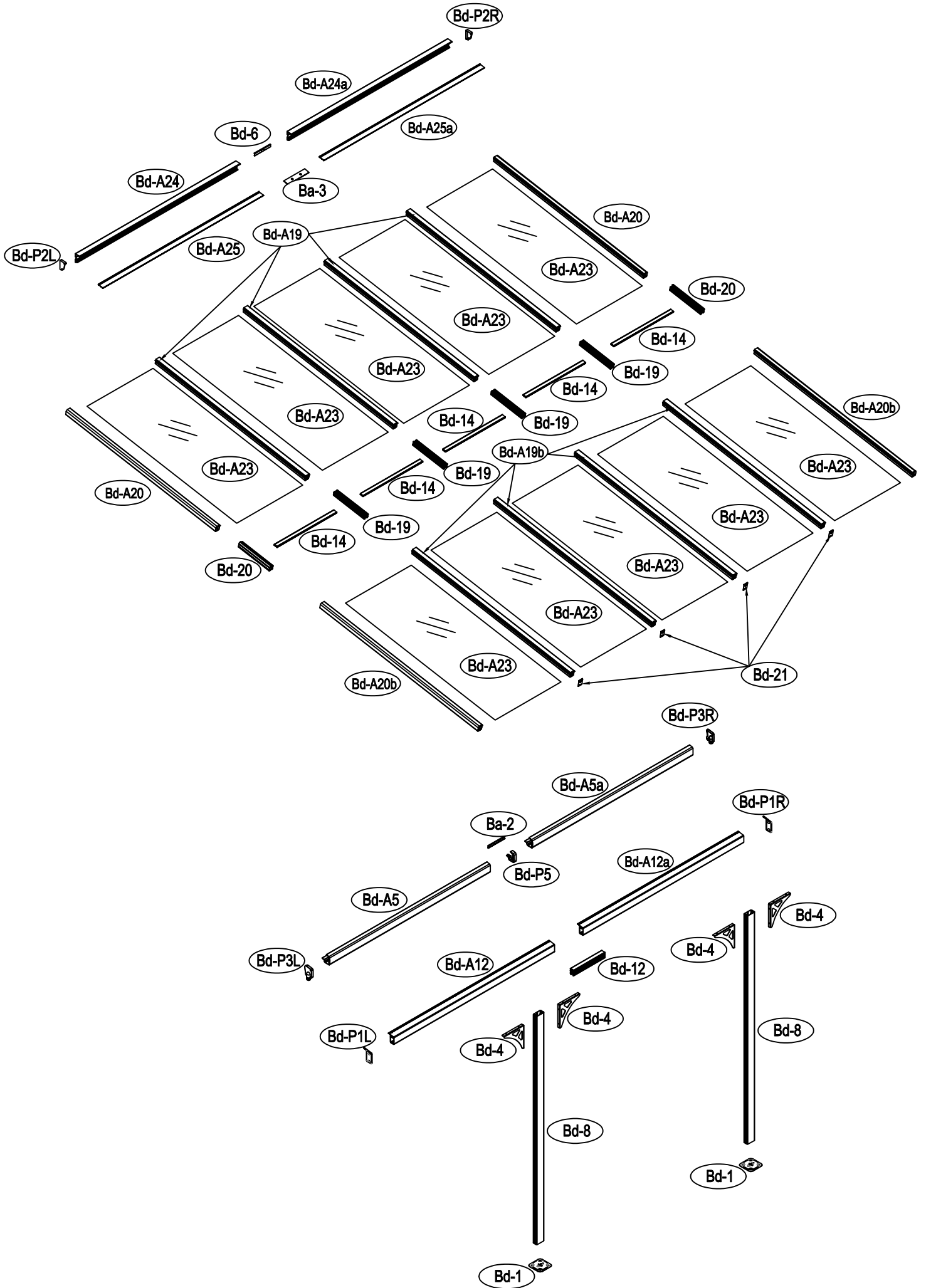
service@50NRTH.com  
+49 (0) 6571 95117-0

# Aufstellmaß Terrassendach

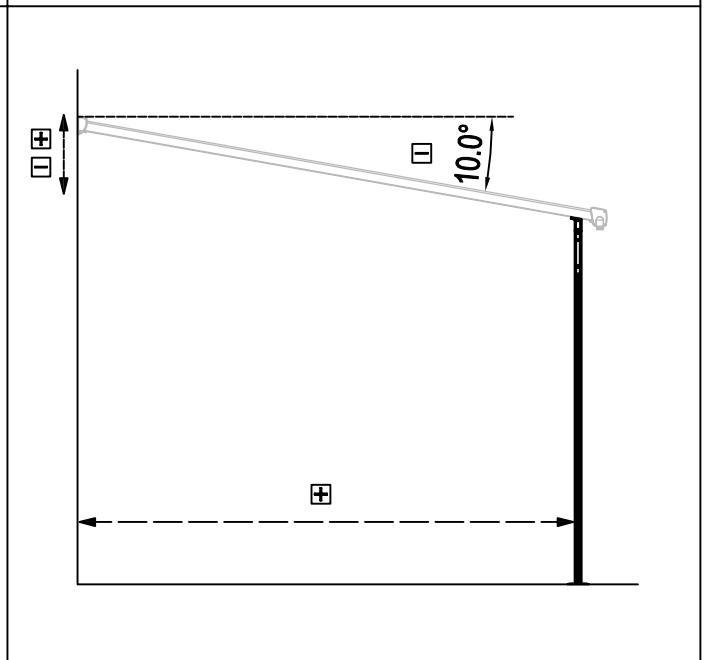
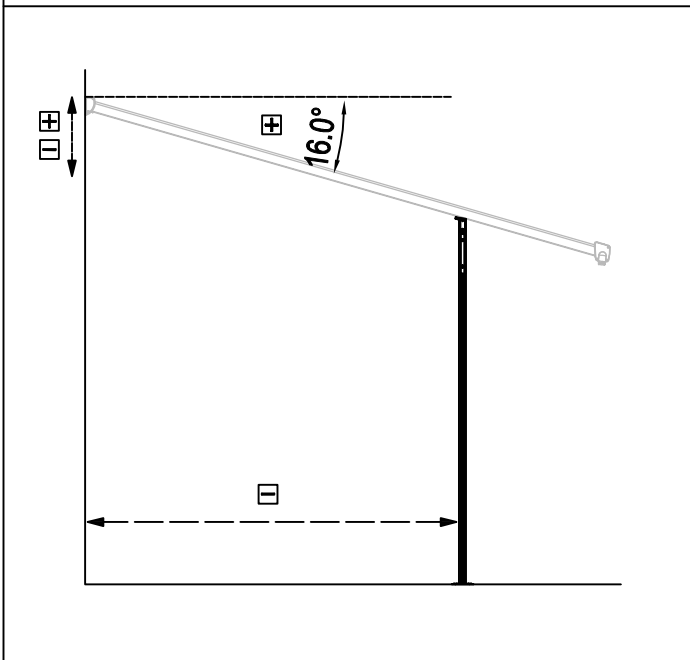
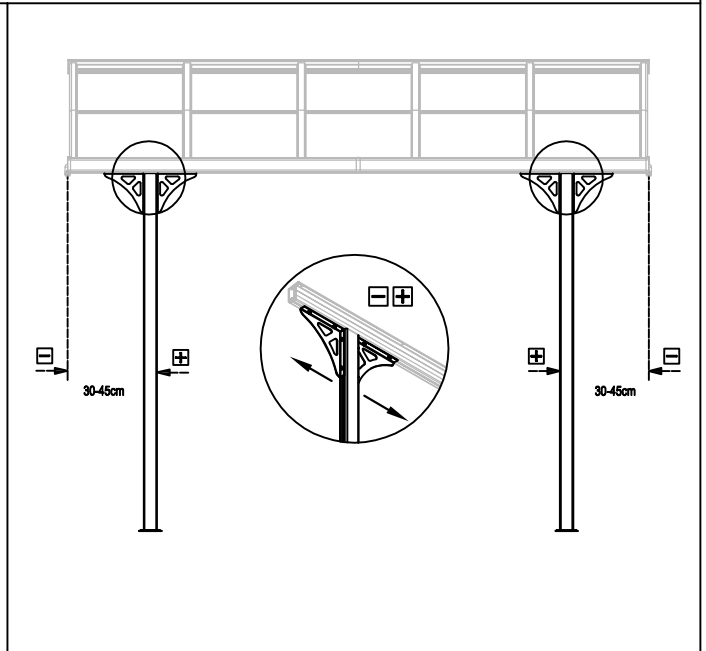
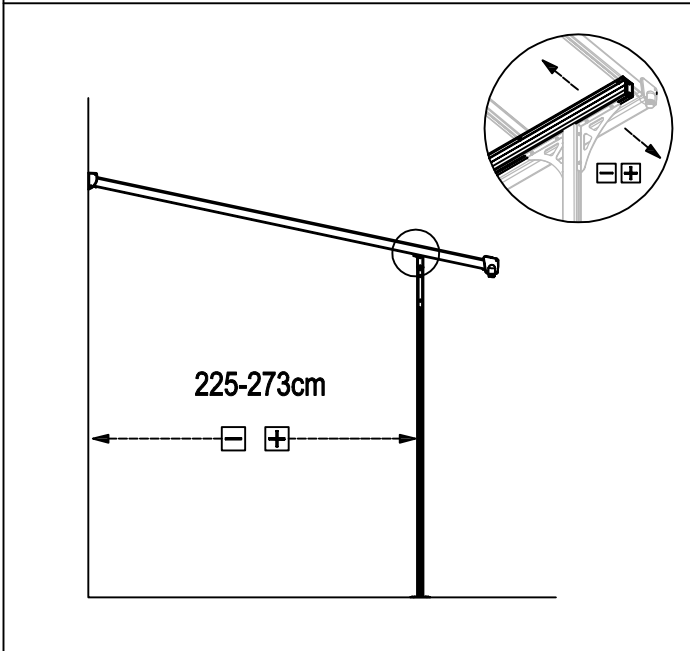
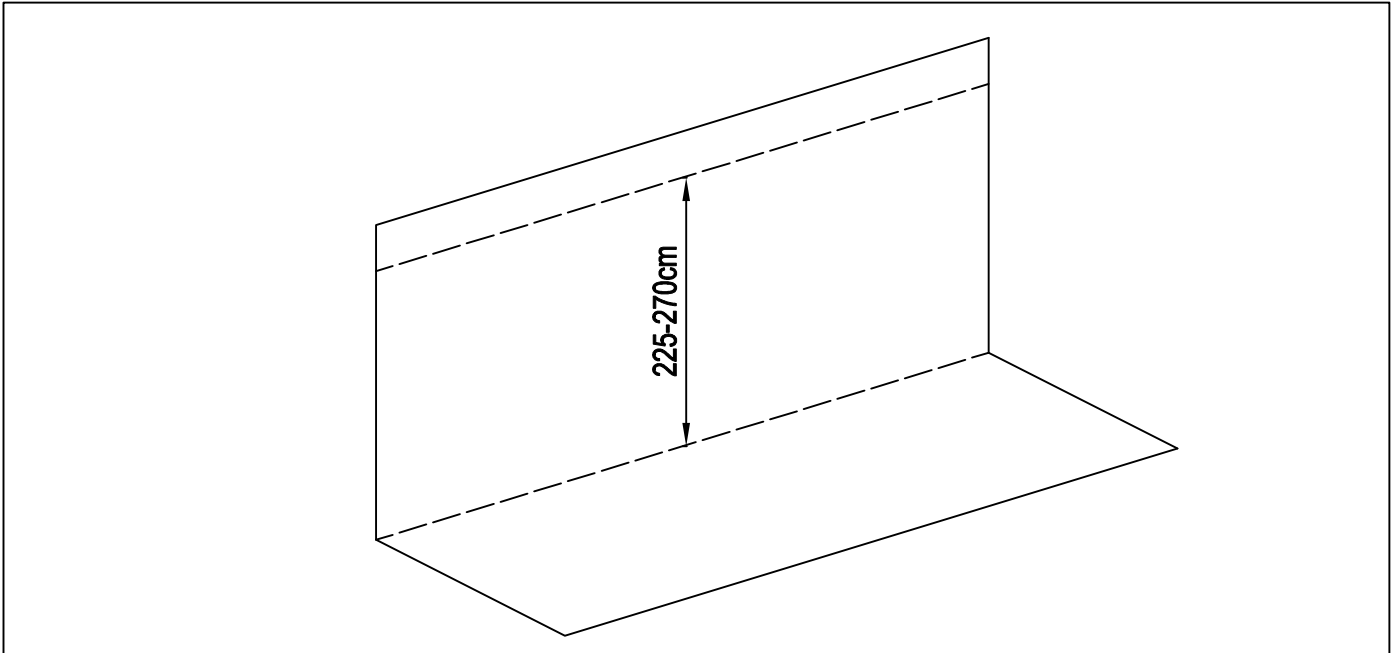


## Fundament Aufstellmaß für den Geräteschrank

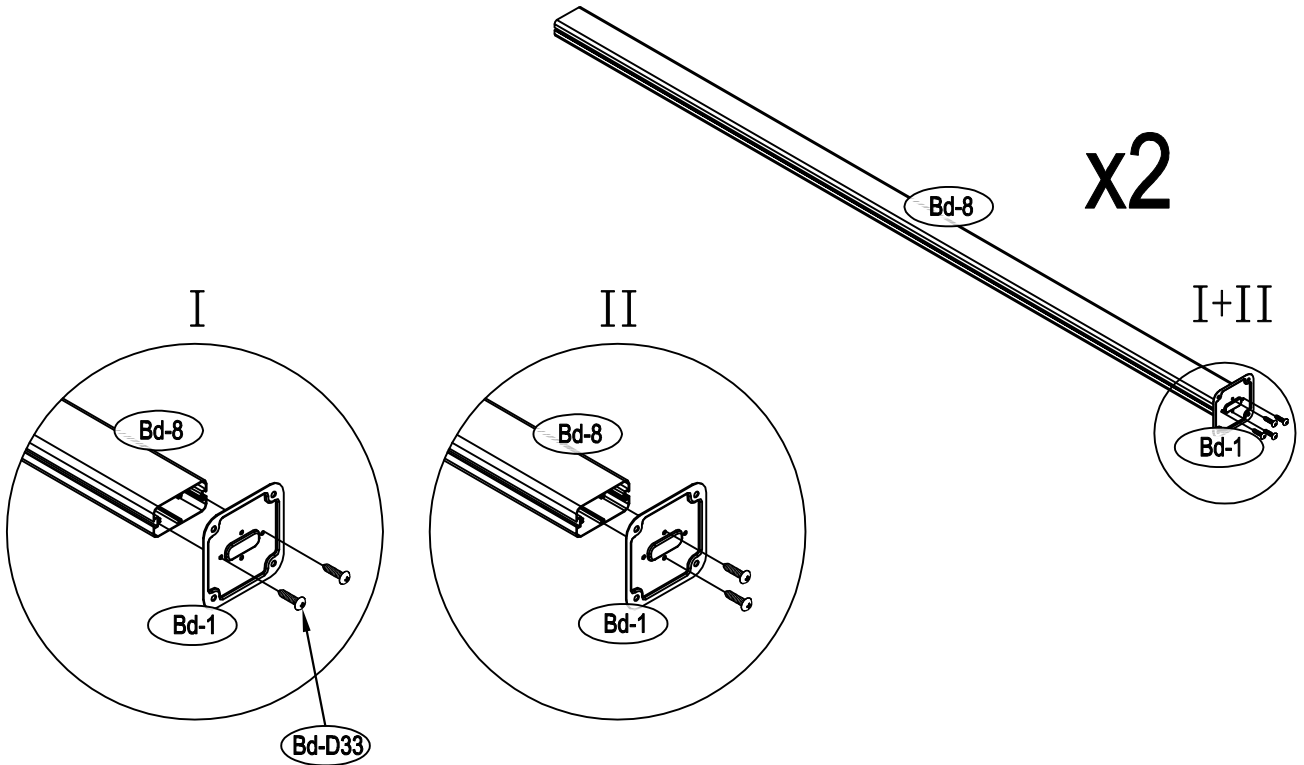









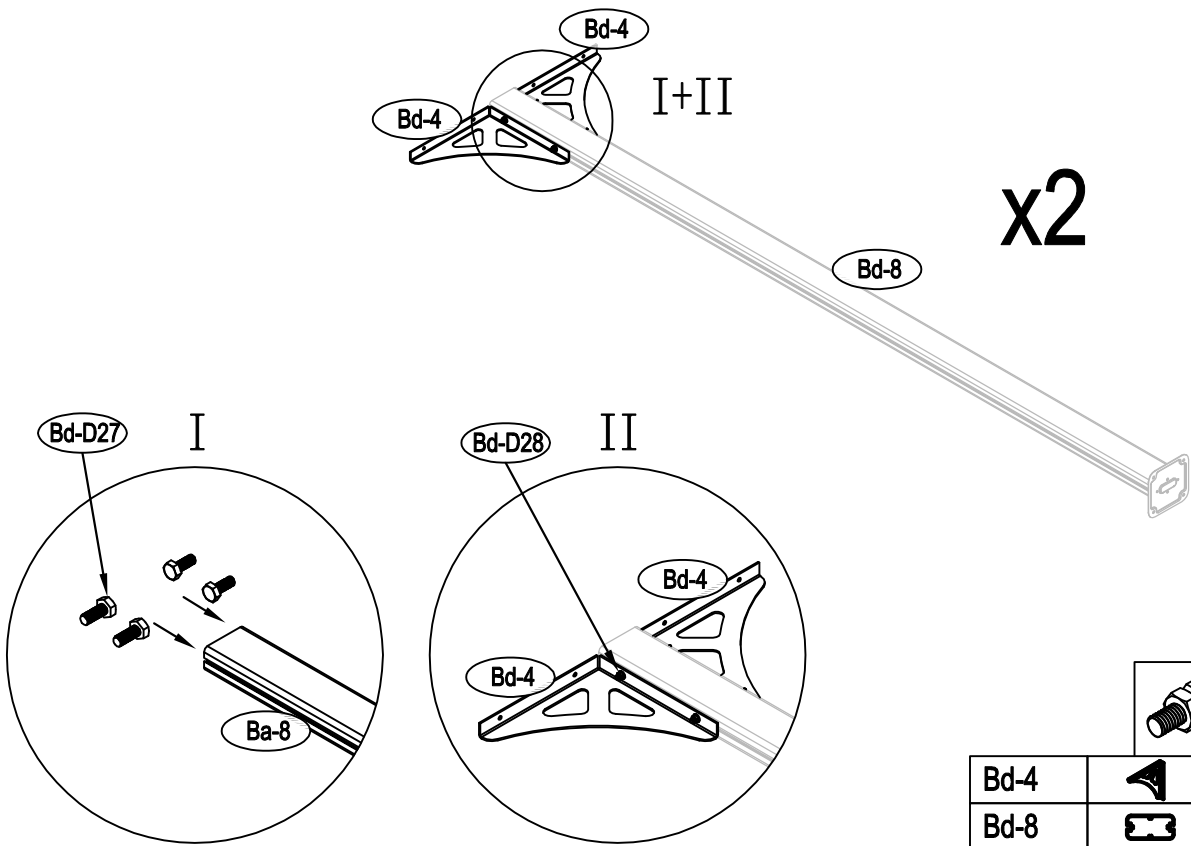








1



Bd-1		x2
Bd-8		x2
Bd-D33		x8

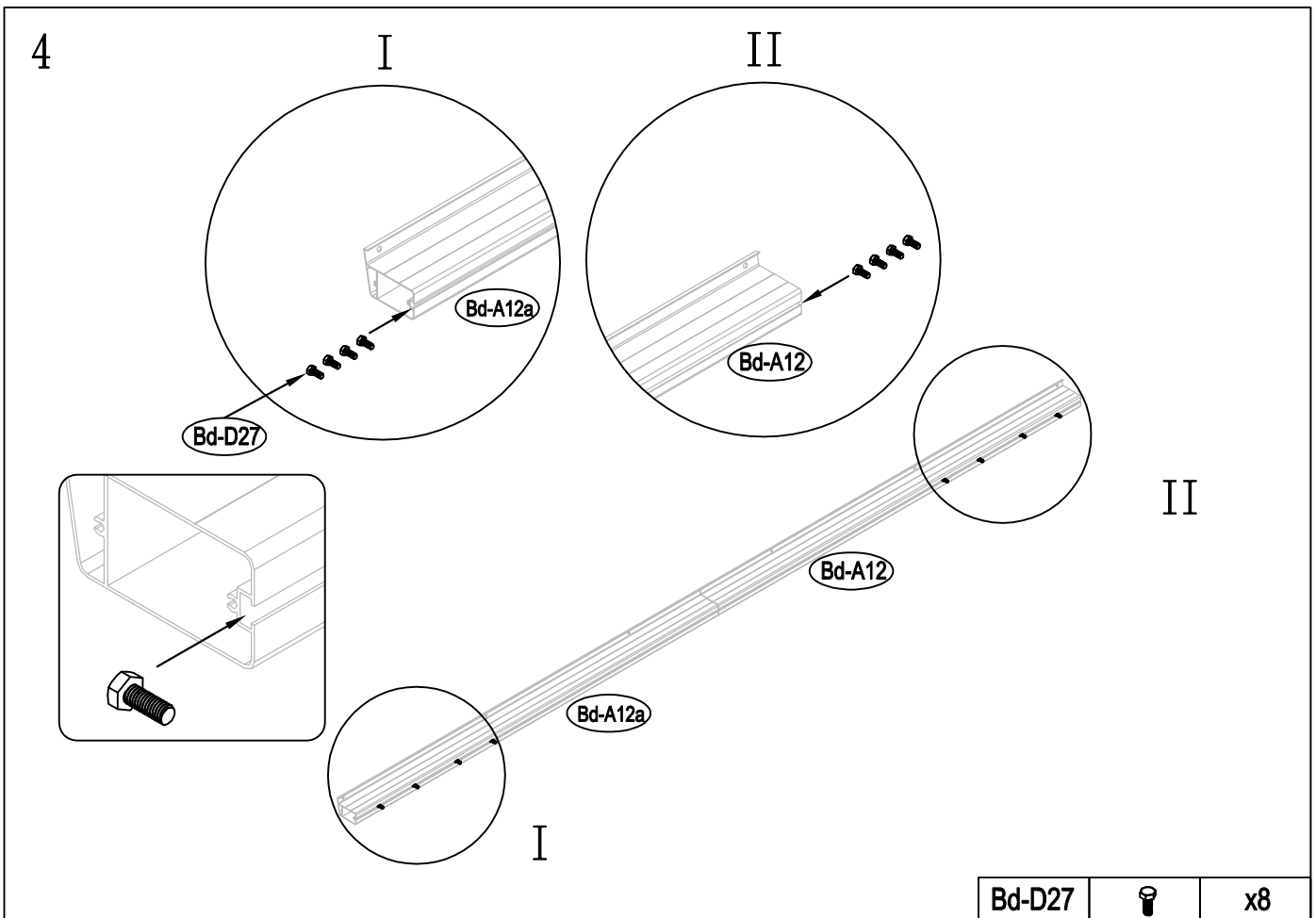
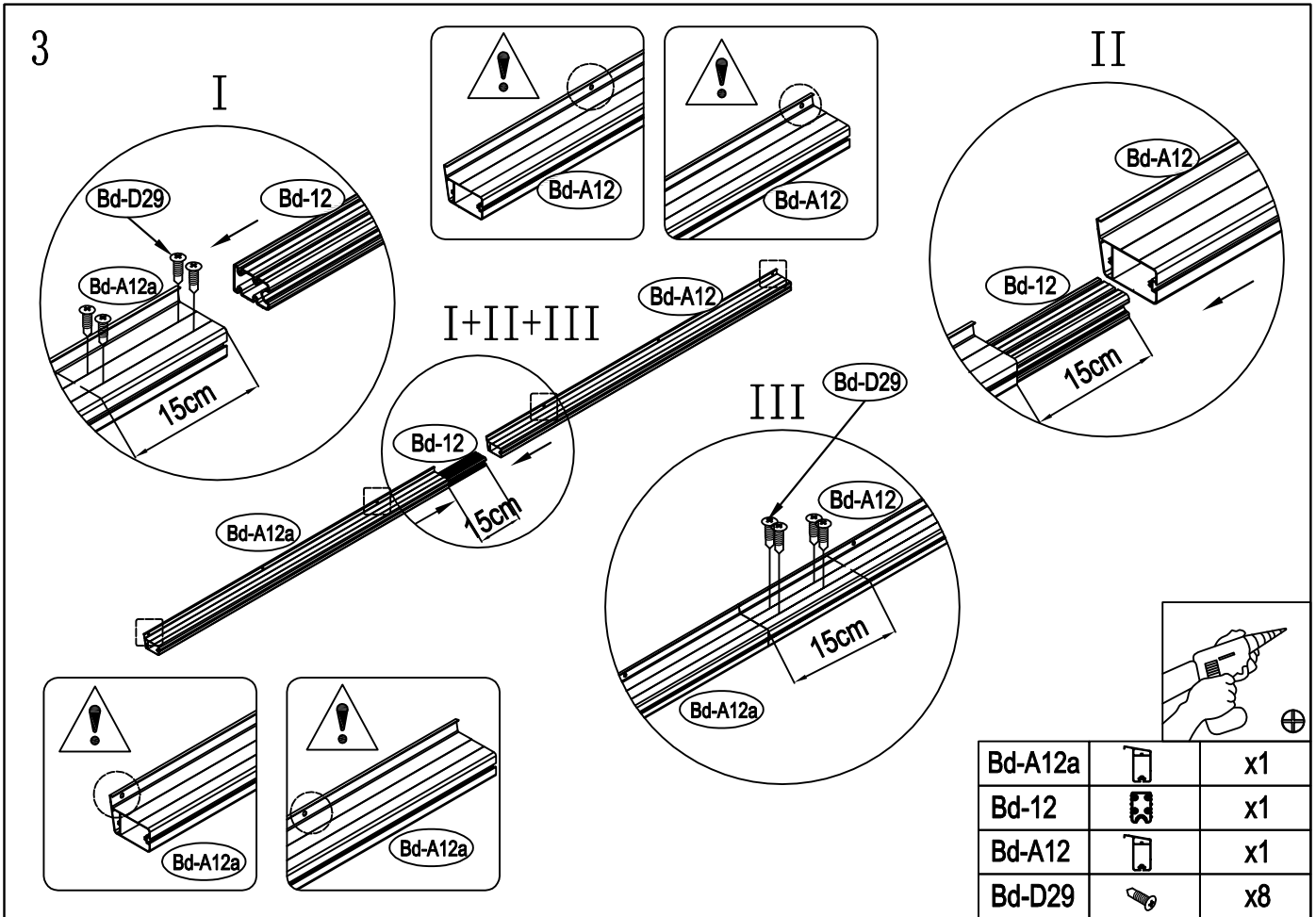
2

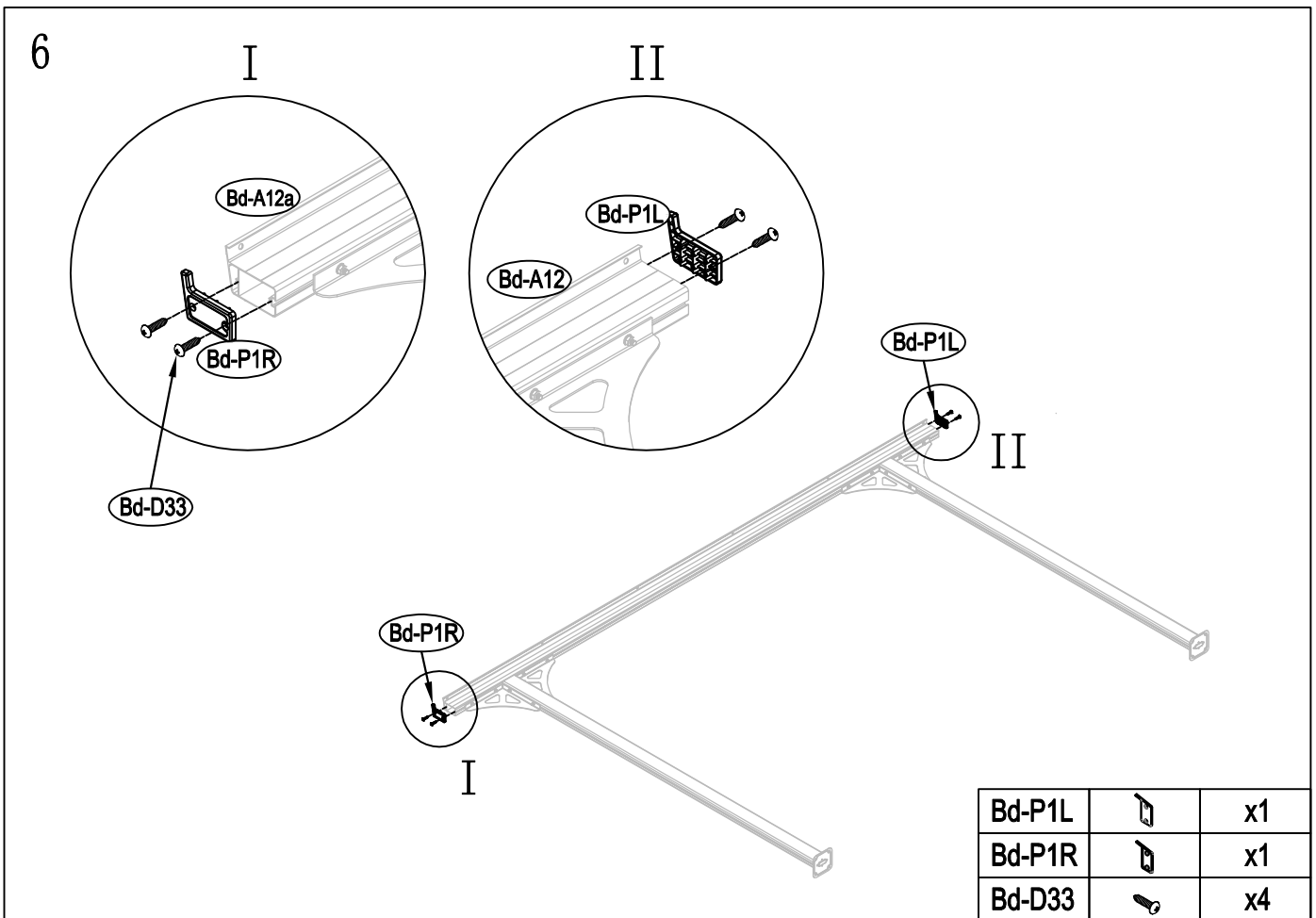
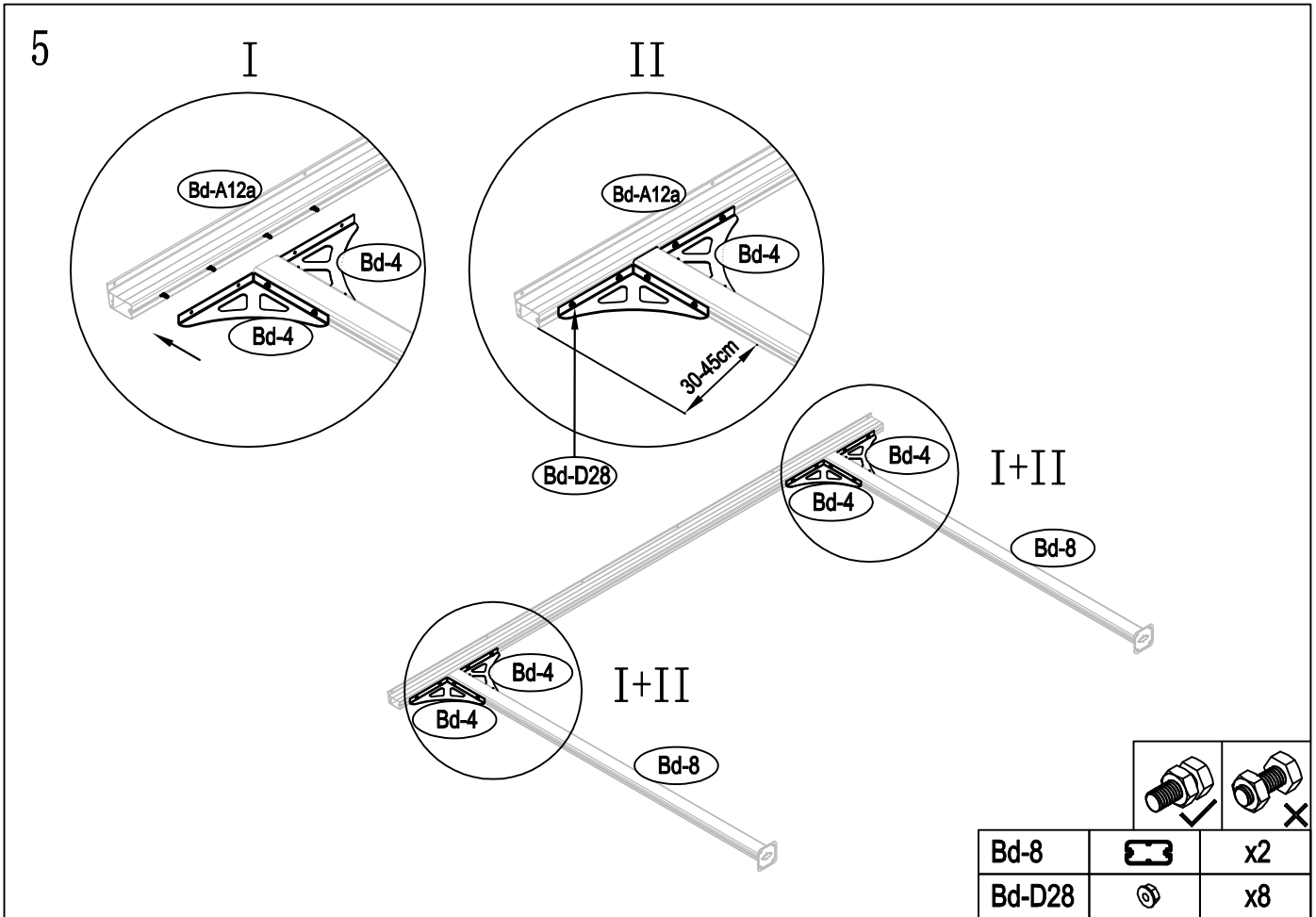


		
Bd-4		x4
Bd-8		x2
Bd-D27		x8
Bd-D28		x8

1

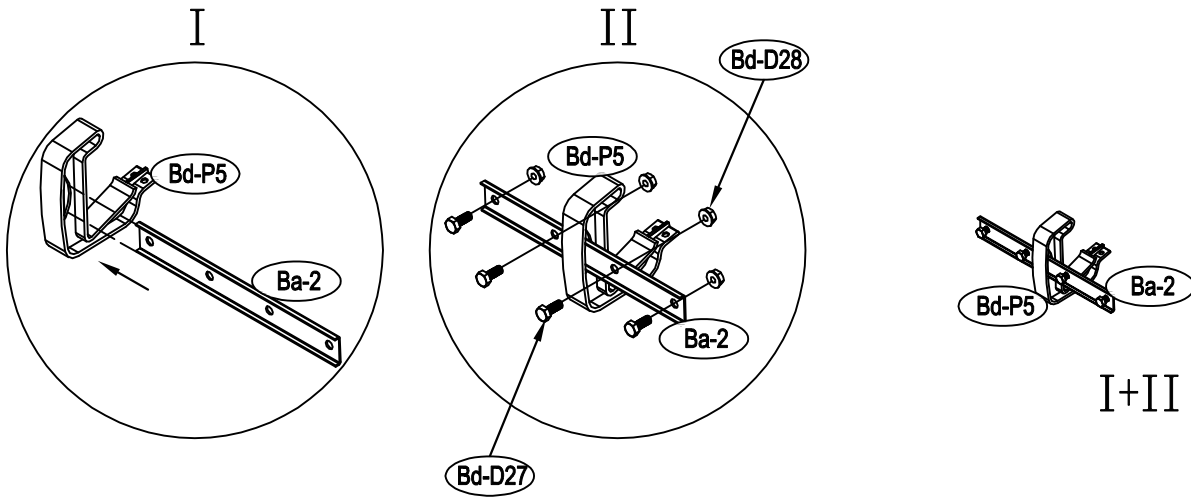






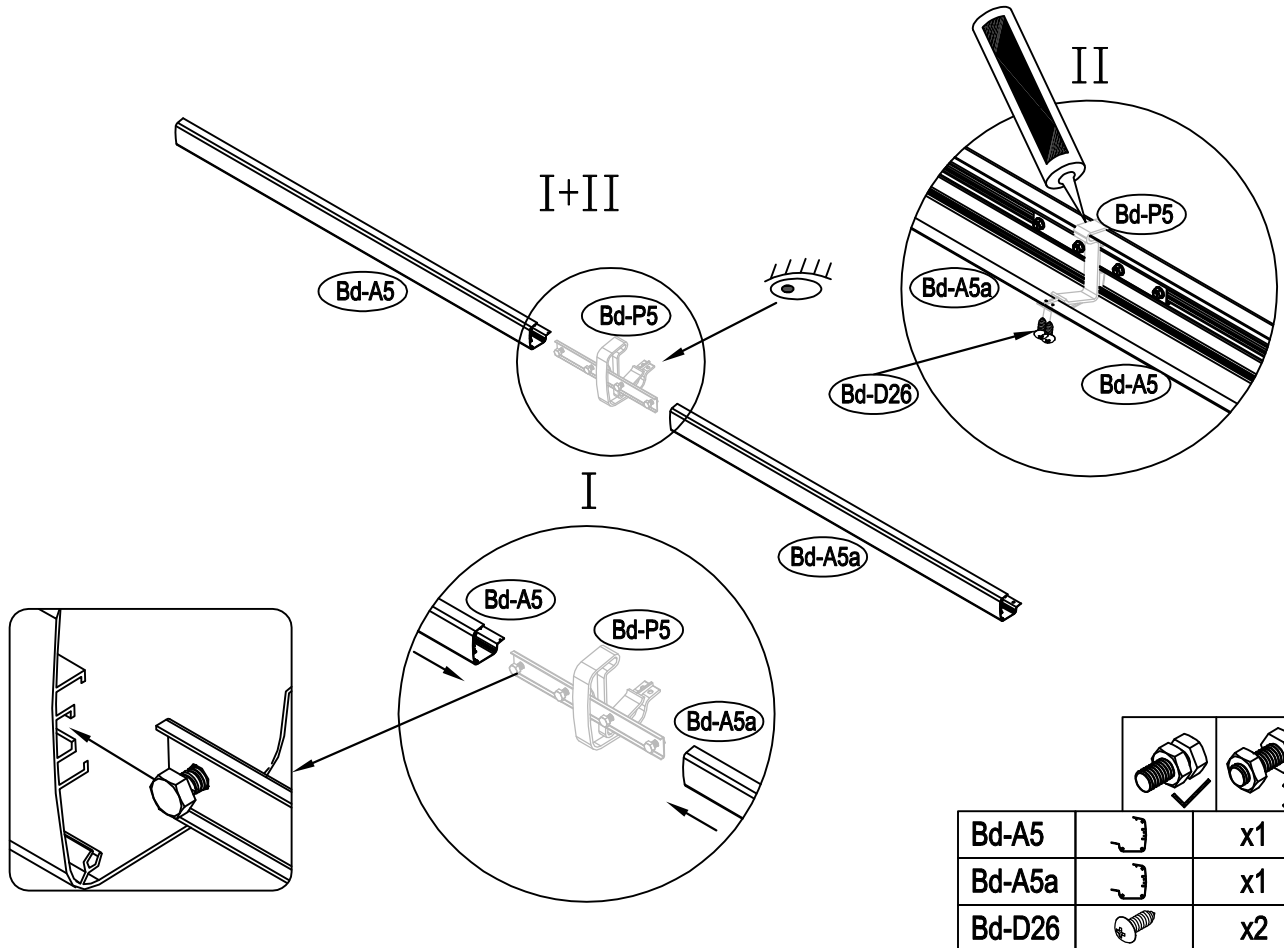


7



Ba-2		x1
Bd-P5		x1
Bd-D27		x4
Bd-D28		x4

8



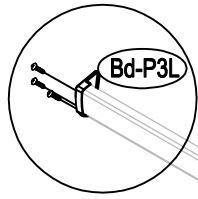
Bd-A5		x1
Bd-A5a		x1
Bd-D26		x2

4



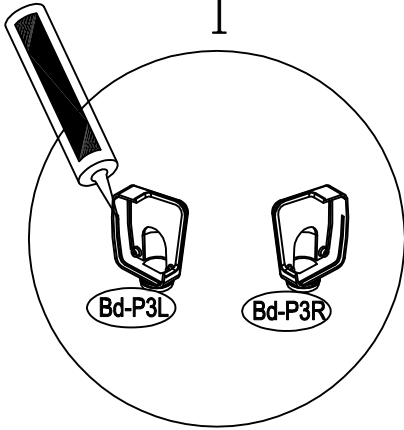
9

I+II

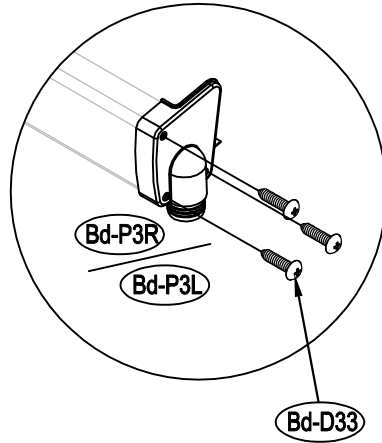


Bd-A5

I



II



I+II

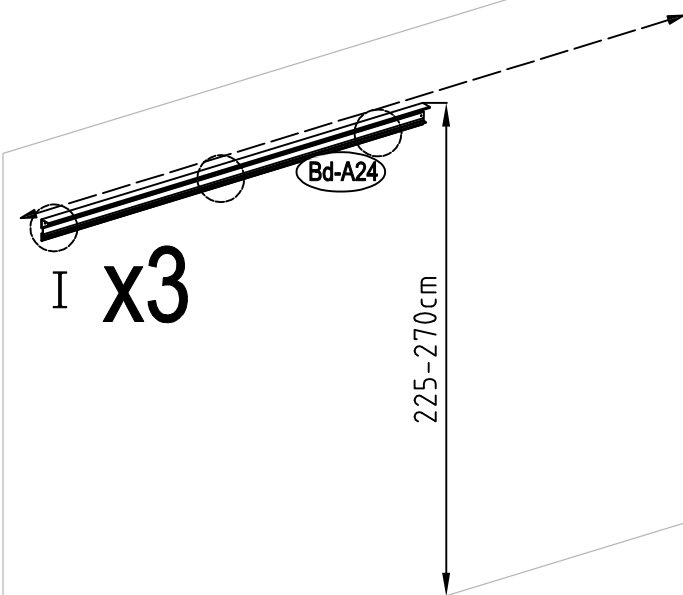
Bd-A5a



Bd-P3L		x1
Bd-P3R		x1
Bd-D33		x6

10

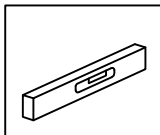
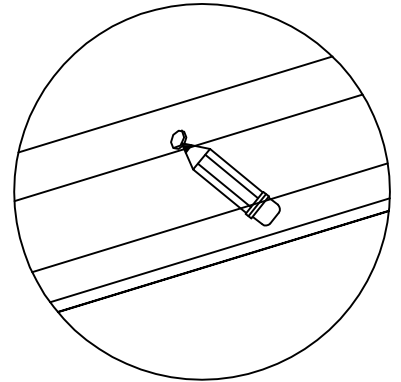
I



I x3

225-270cm

Bd-A24



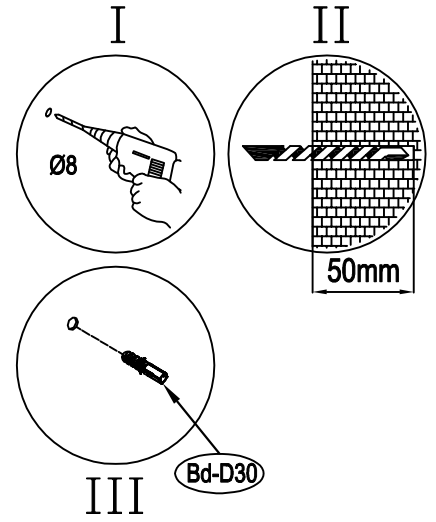
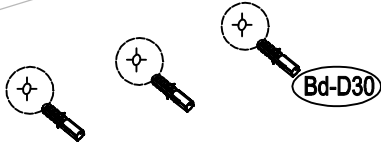
Bd-A24		x1
--------	--	----

5



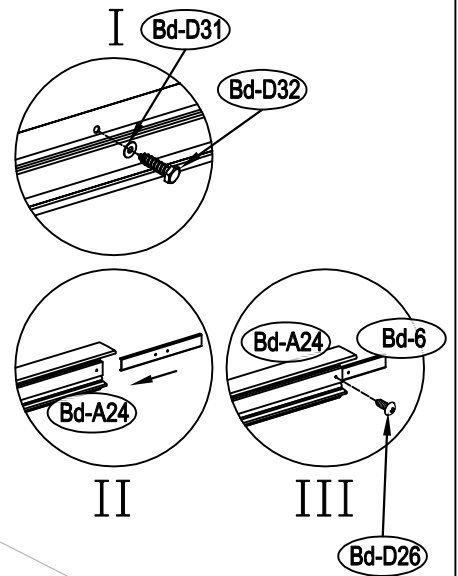
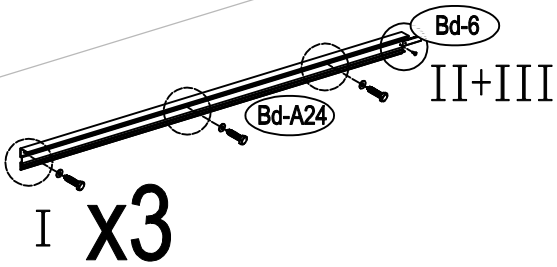
11





I+II+III x3



Bd-D30		x3
--------	---	----

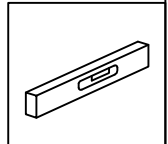
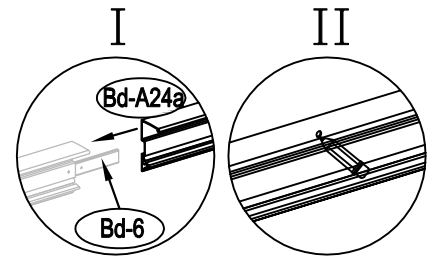
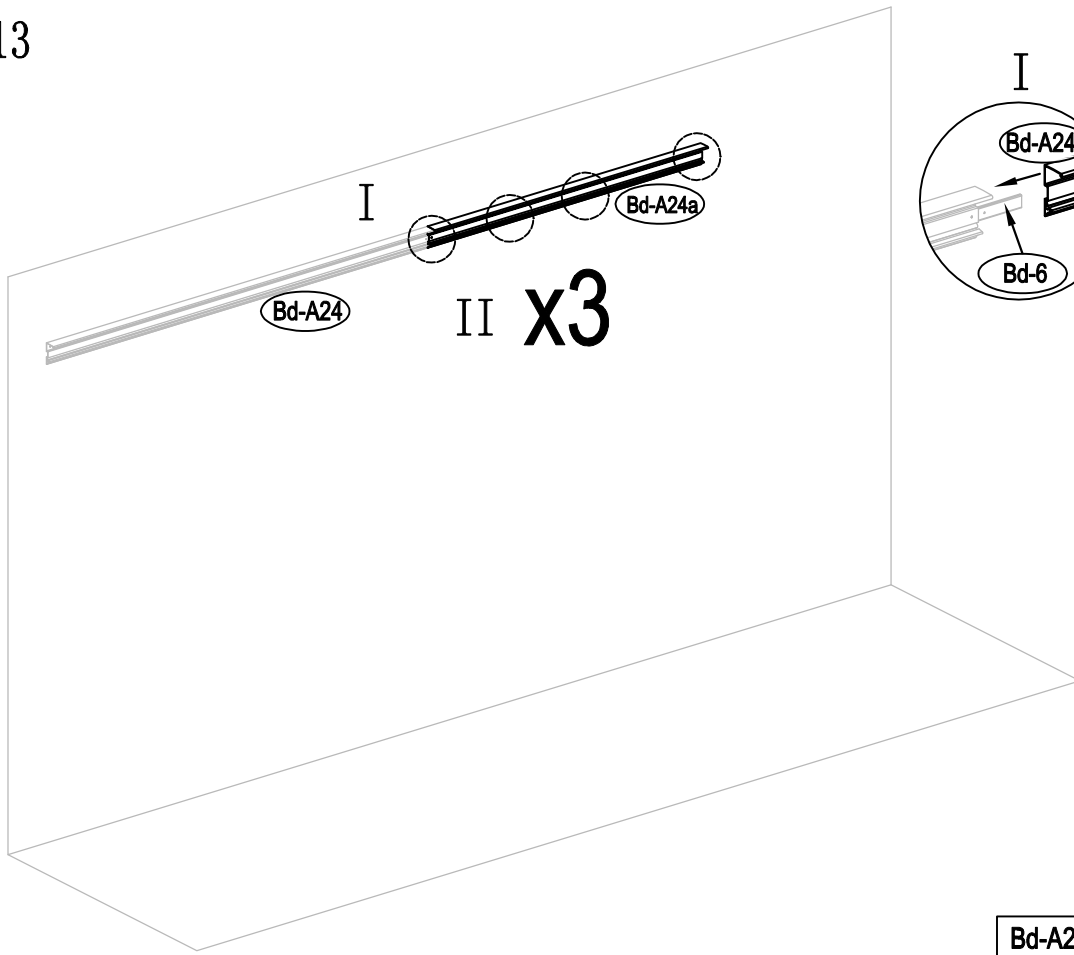
12




Bd-6		x1
Bd-D26		x1
Bd-D31		x3
Bd-D32		x3

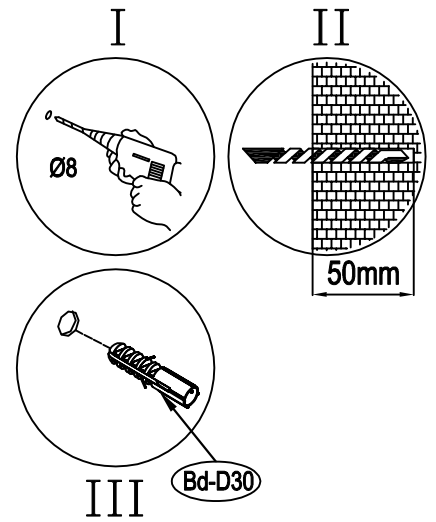
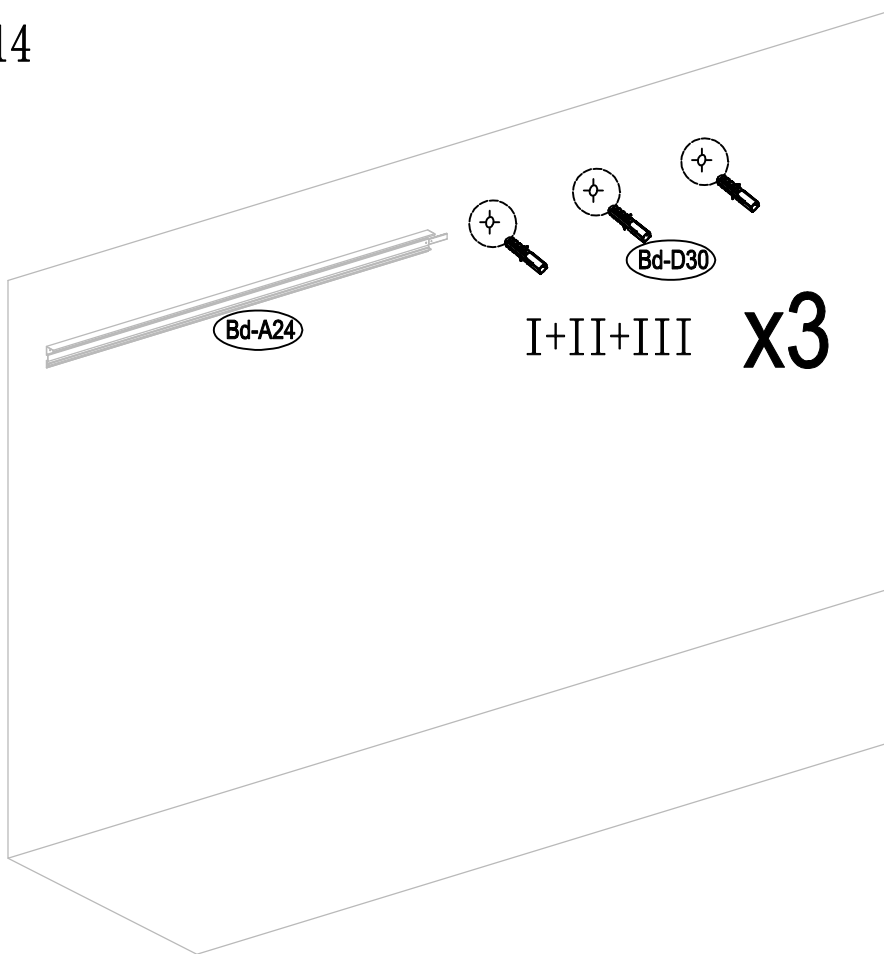


13



Bd-A24a		x1
---------	---	----

14

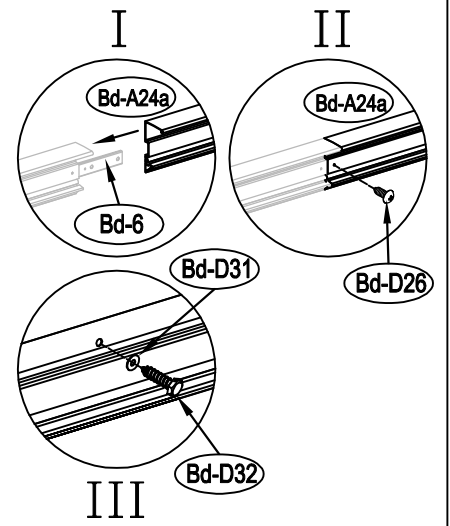
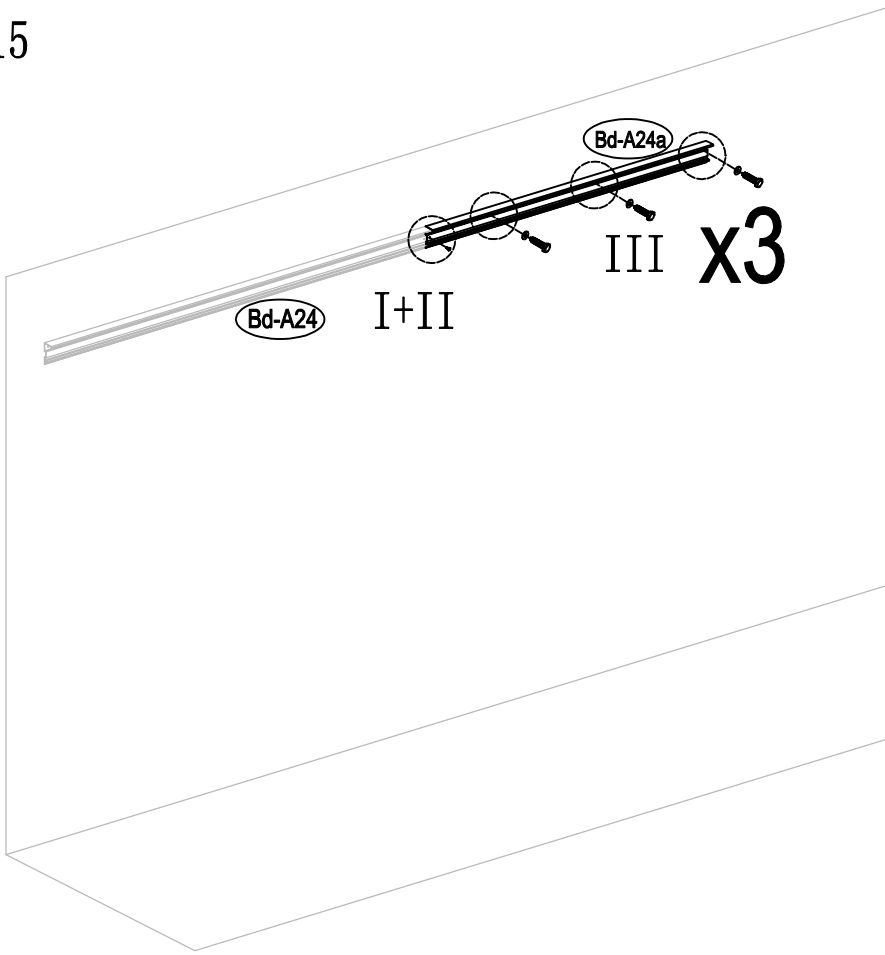


Bd-D30		x3
--------	---	----

7

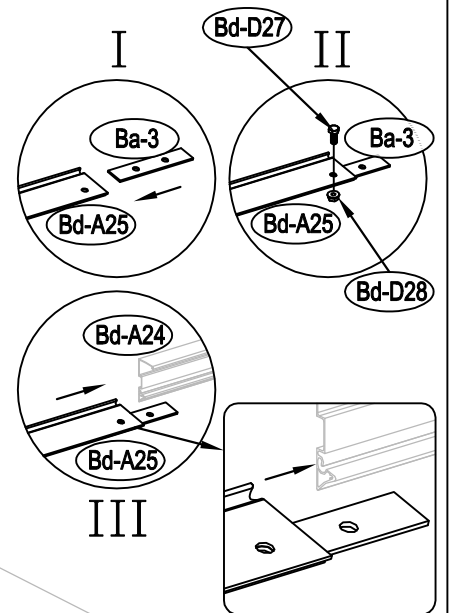
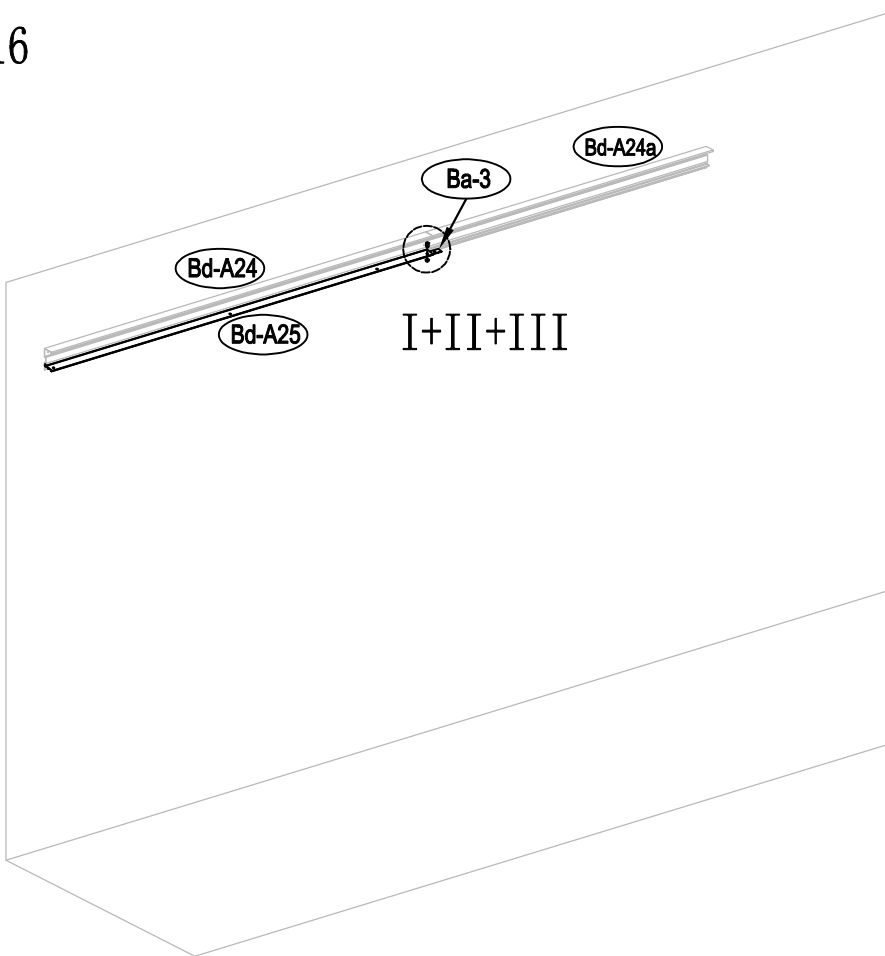


15



Bd-A24a		x1
Bd-D26		x1
Bd-D31		x3
Bd-D32		x3

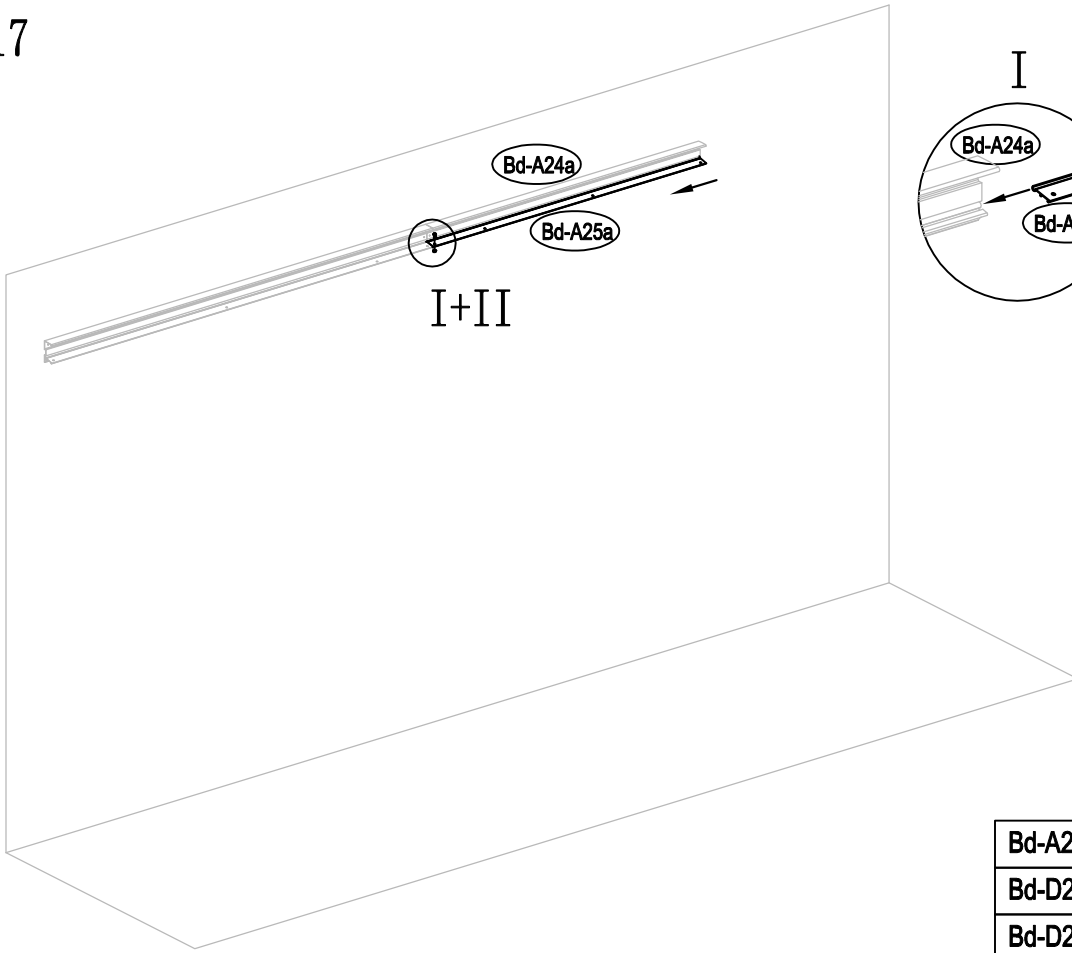
16



Ba-3		x1
Bd-A25		x1
Bd-D27		x1
Bd-D28		x1

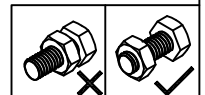
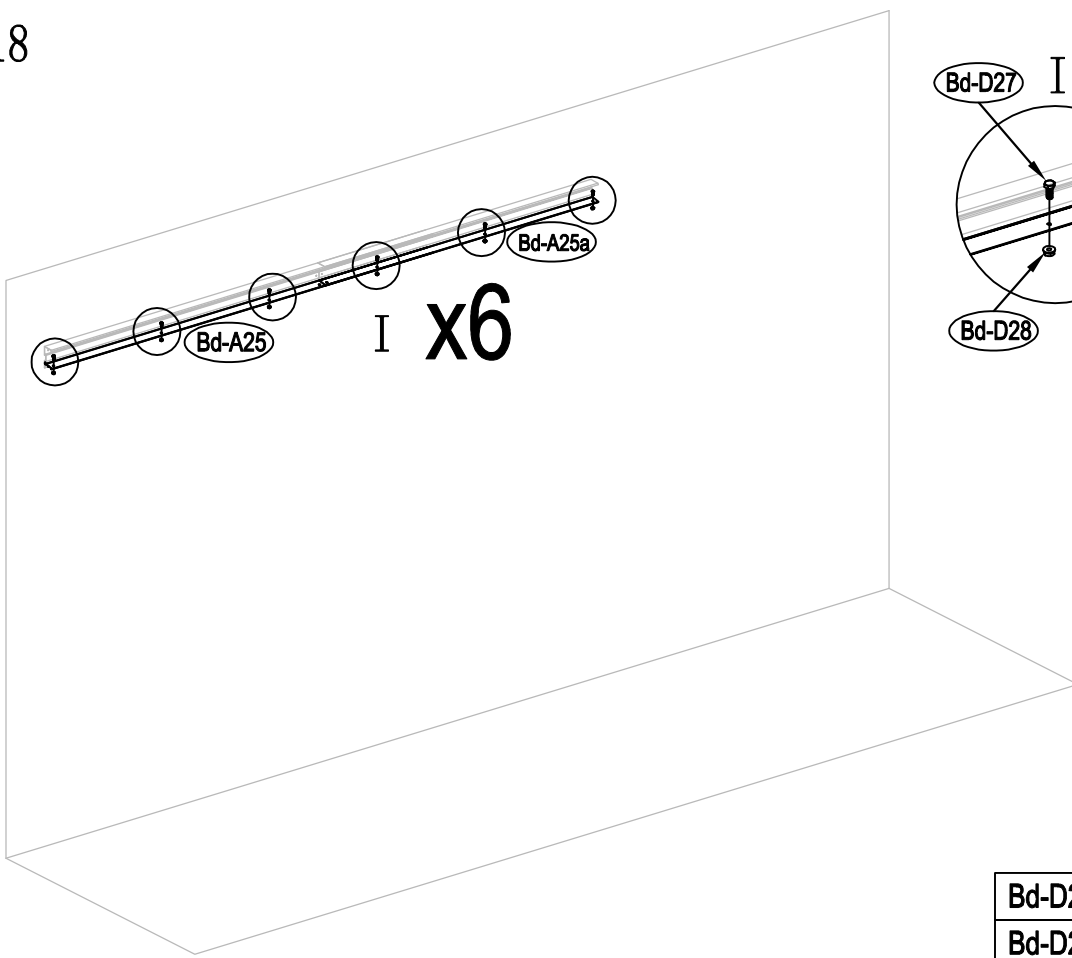


17



Bd-A25a		x1
Bd-D27		x1
Bd-D28		x1

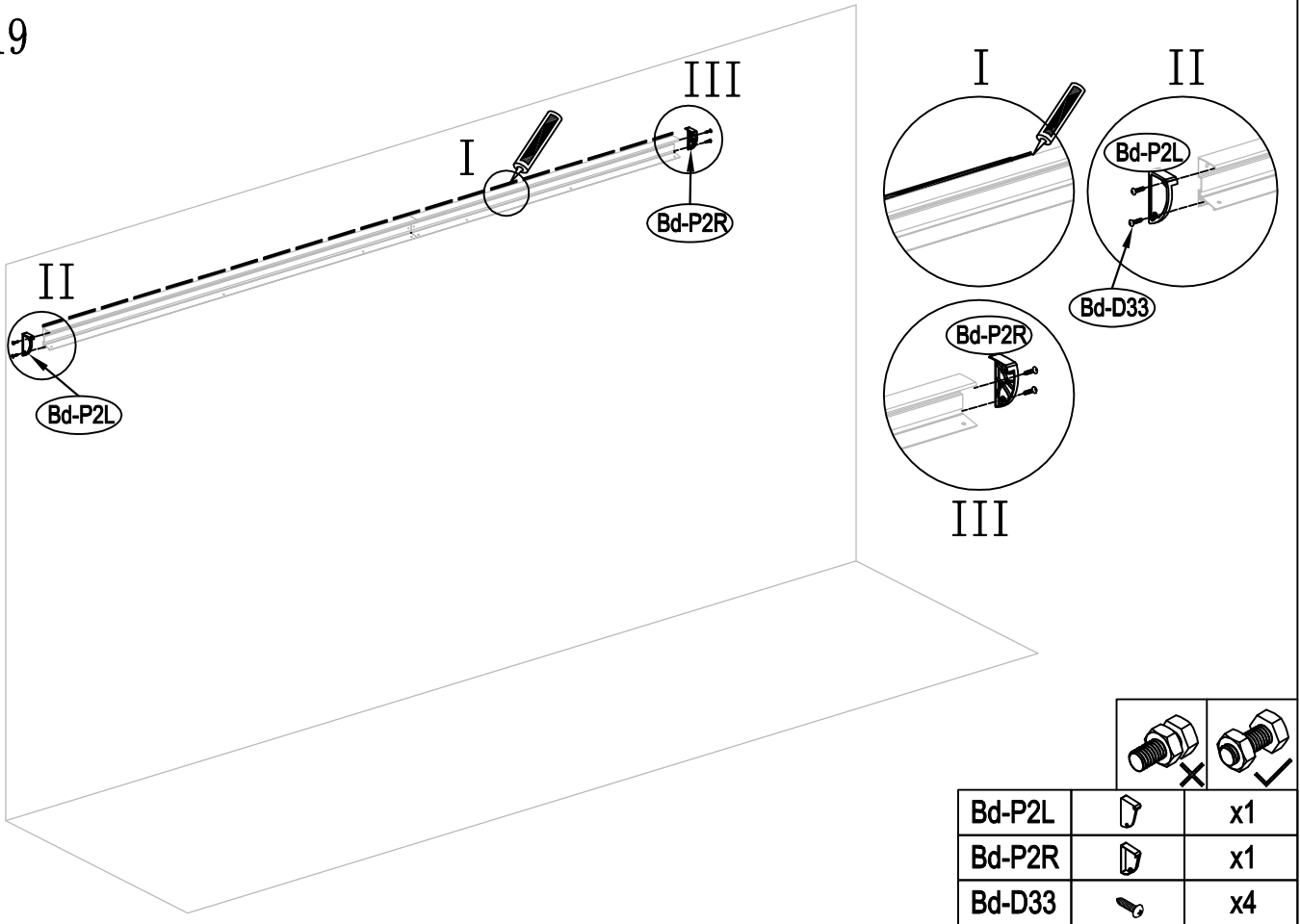
18



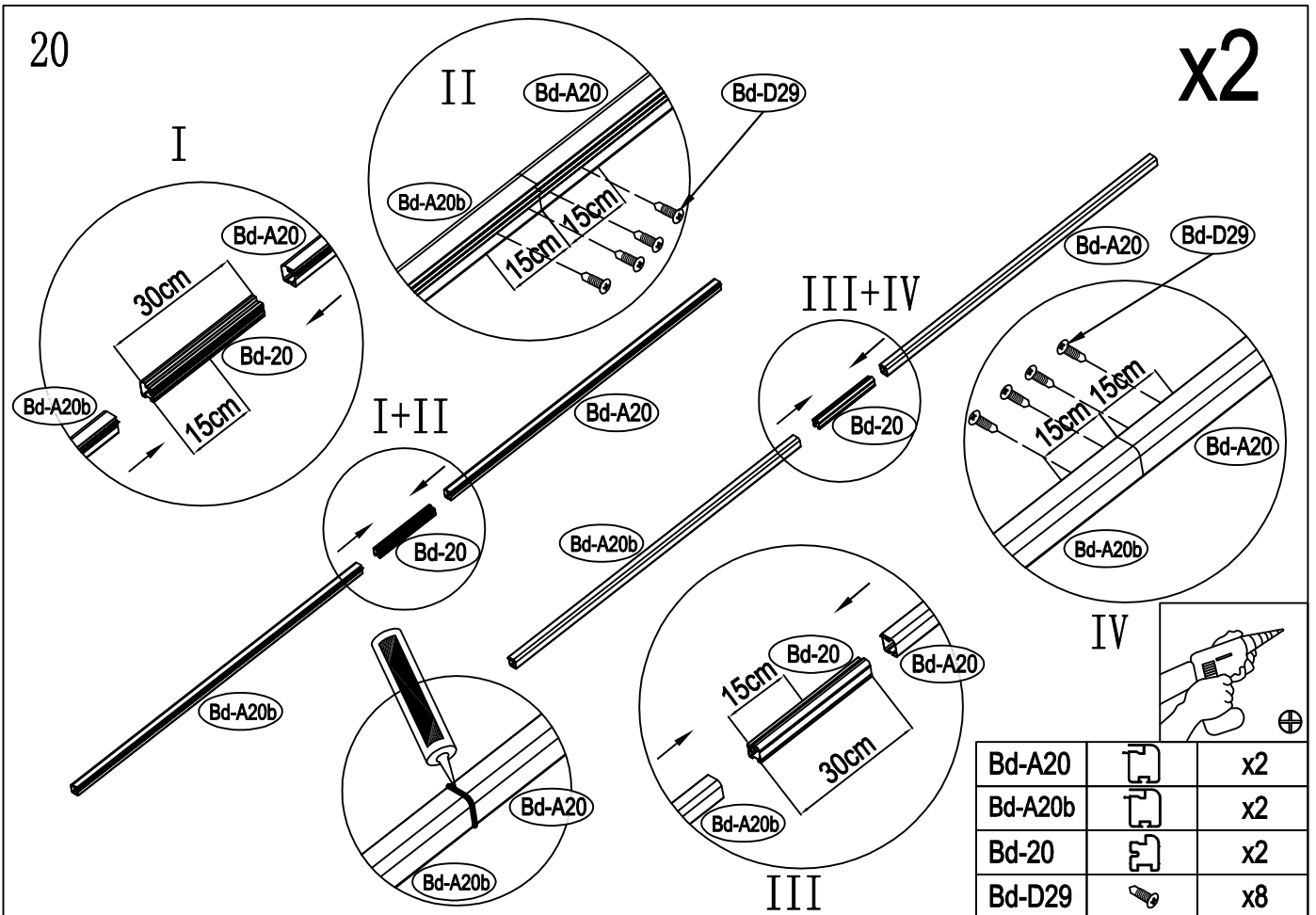
Bd-D27		x6
Bd-D28		x6



19

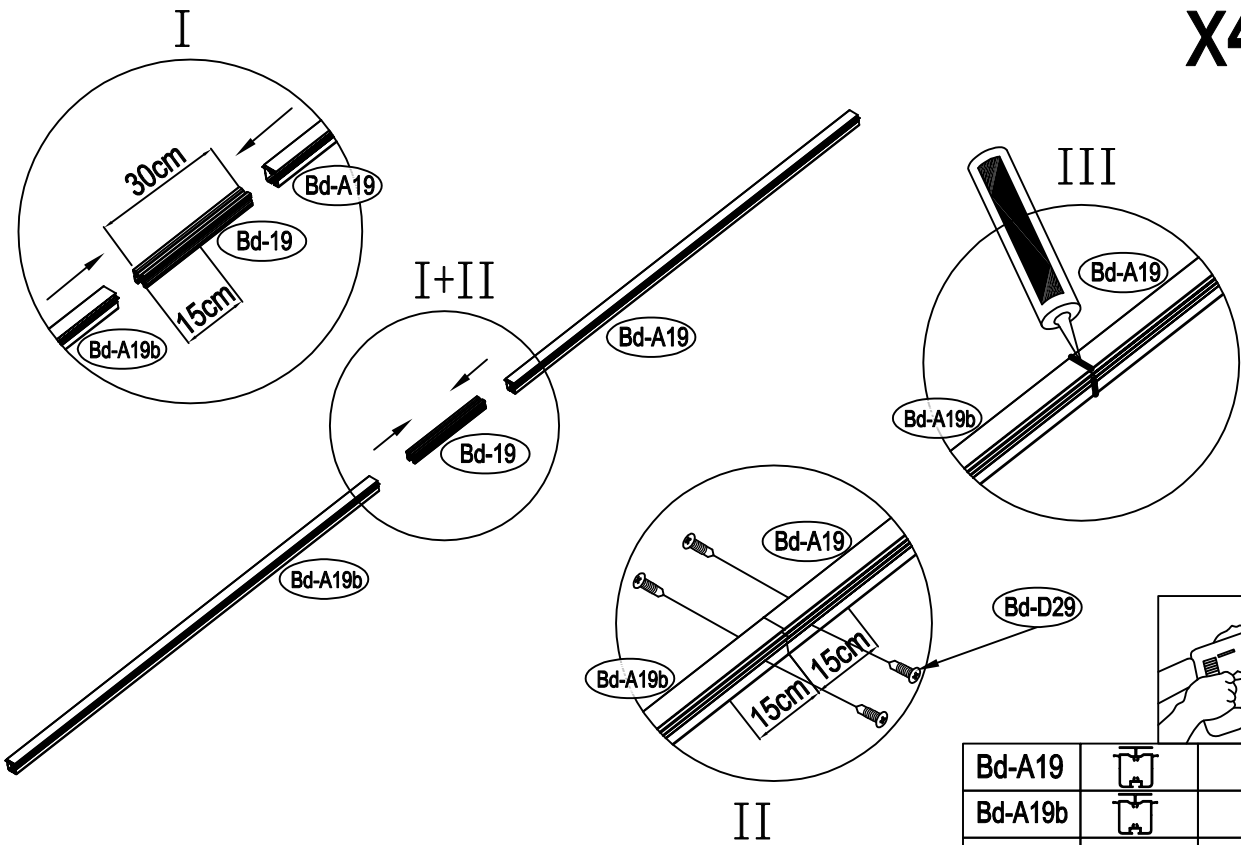


20



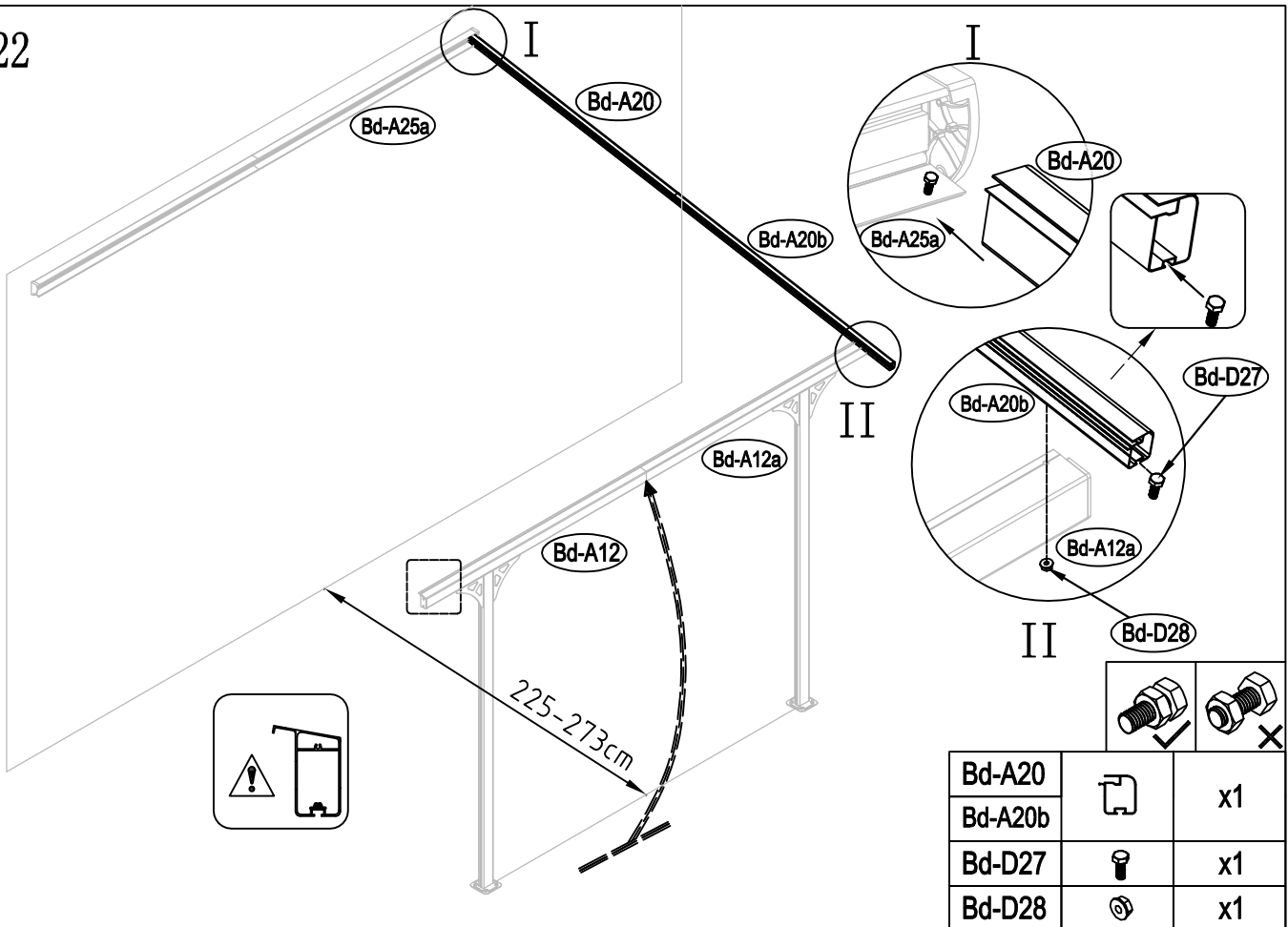
21

x4



Bd-A19		x4
Bd-A19b		x4
Bd-19		x4
Bd-D29		x16

22

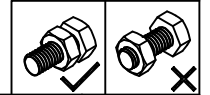
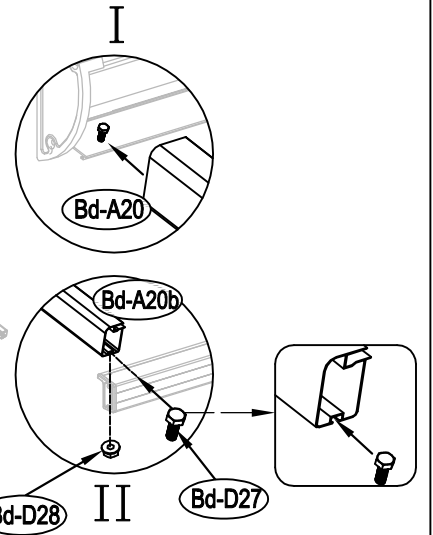
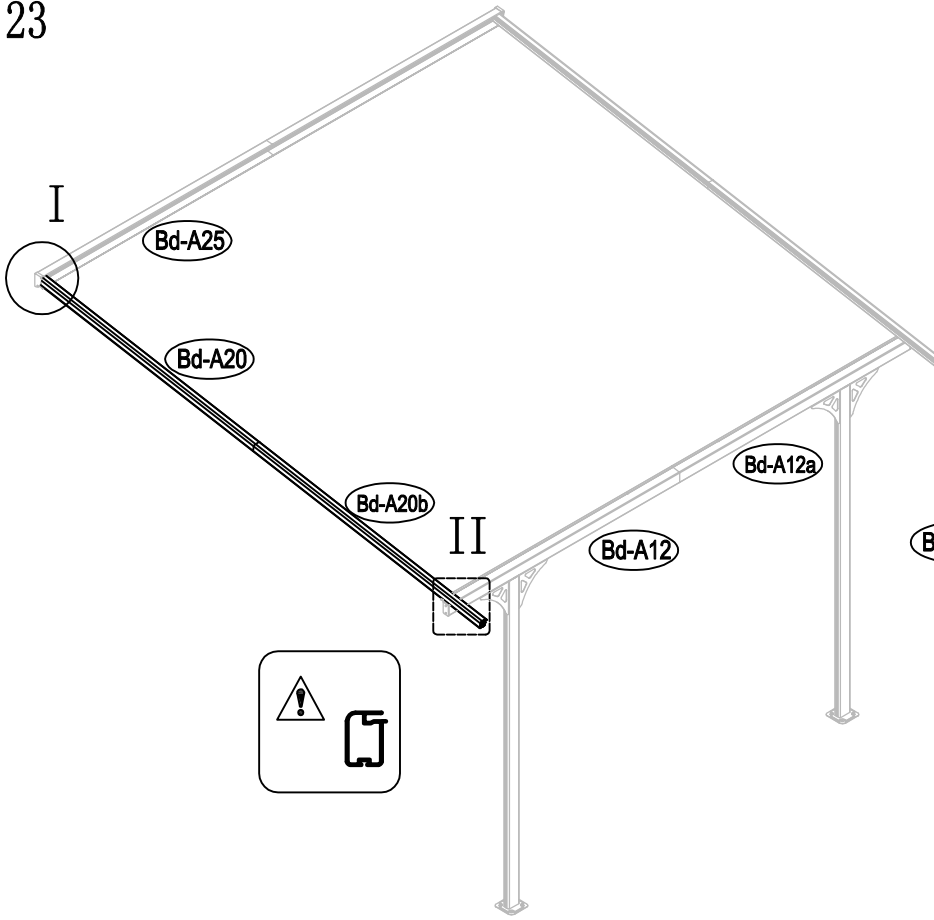


Bd-A20		x1
Bd-A20b		x1
Bd-D27		x1
Bd-D28		x1



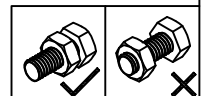
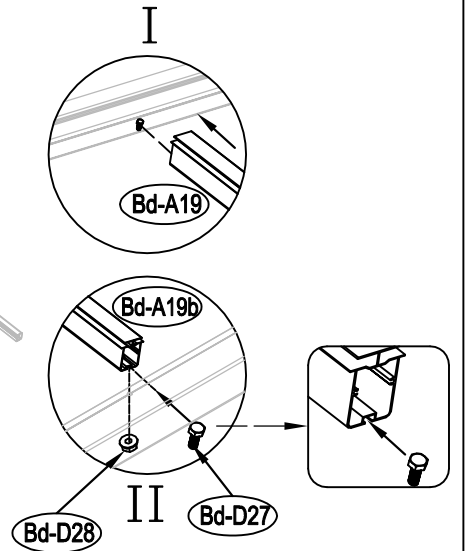
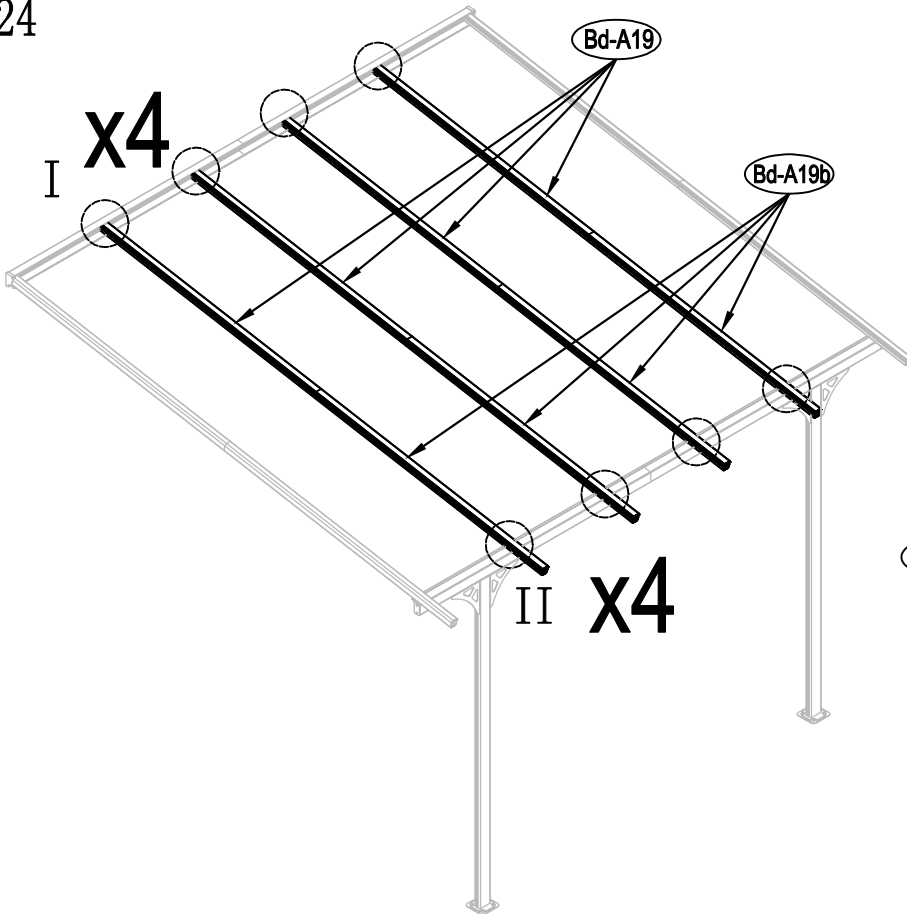


23



Bd-A20		x1
Bd-A20b		x1
Bd-D27		x1
Bd-D28		x1

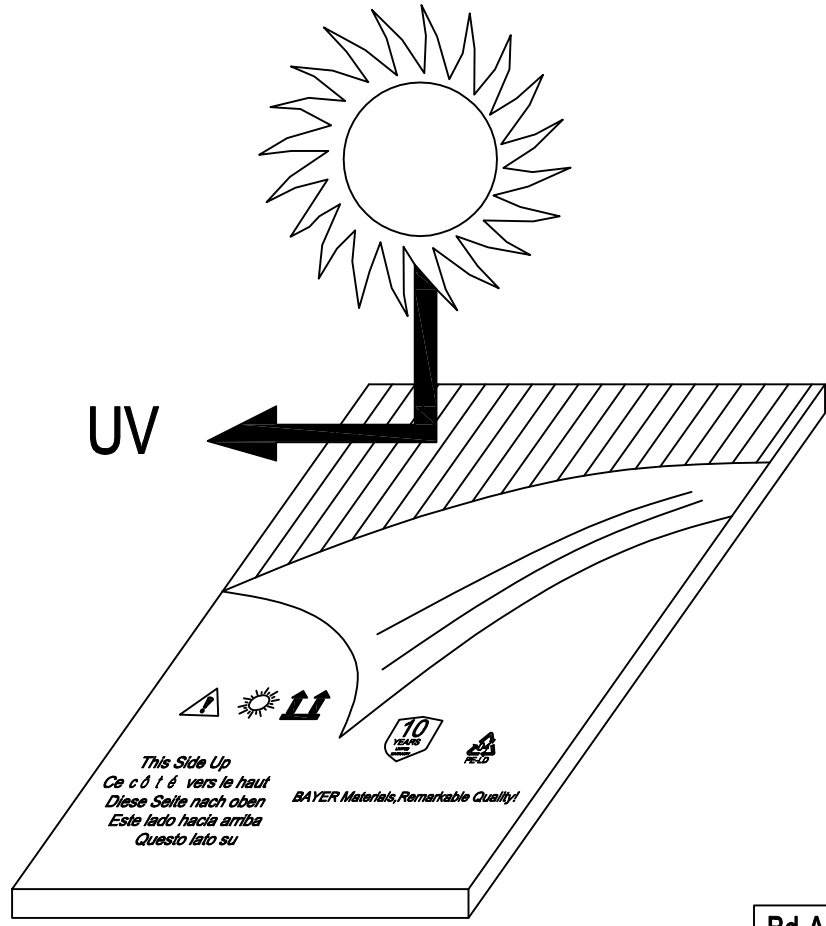
24



Bd-A19		x4
Bd-A19b		x4
Bd-D27		x4
Bd-D28		x4

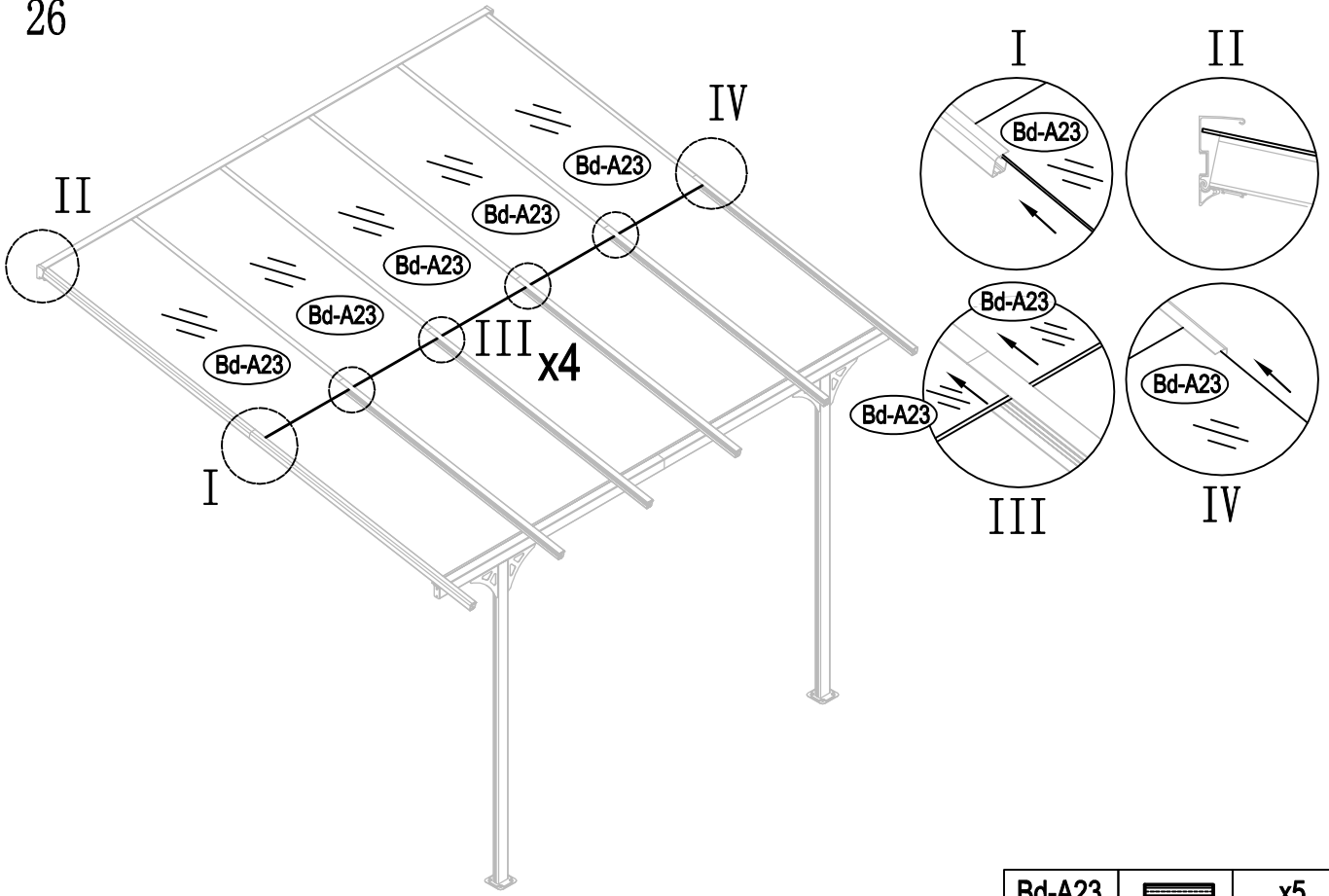



25



Bd-A23		x10
--------	---	-----

26



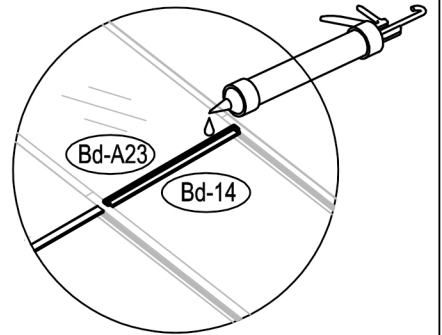
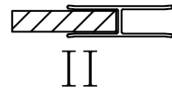
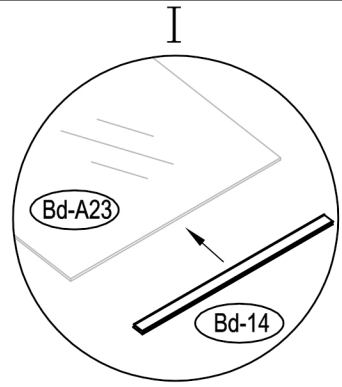
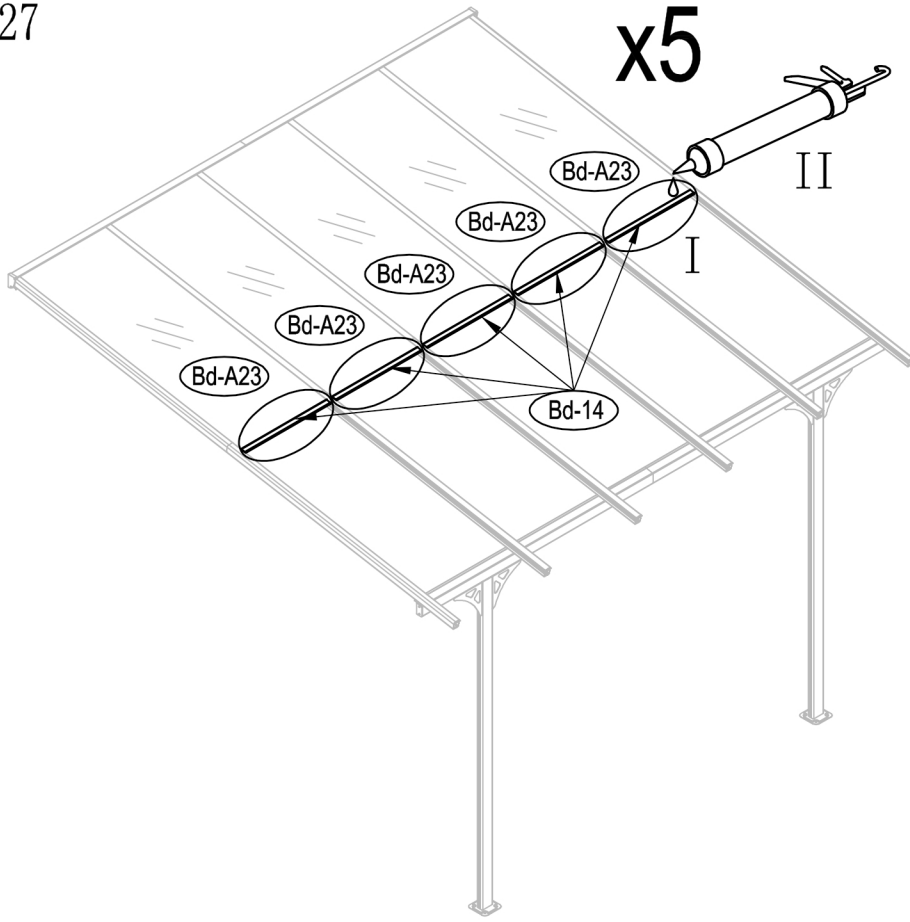
Bd-A23		x5
--------	---	----

13



27

x5



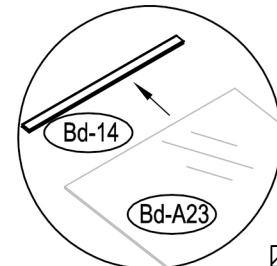
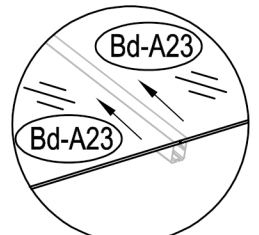
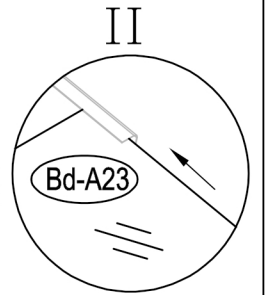
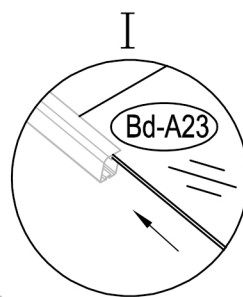
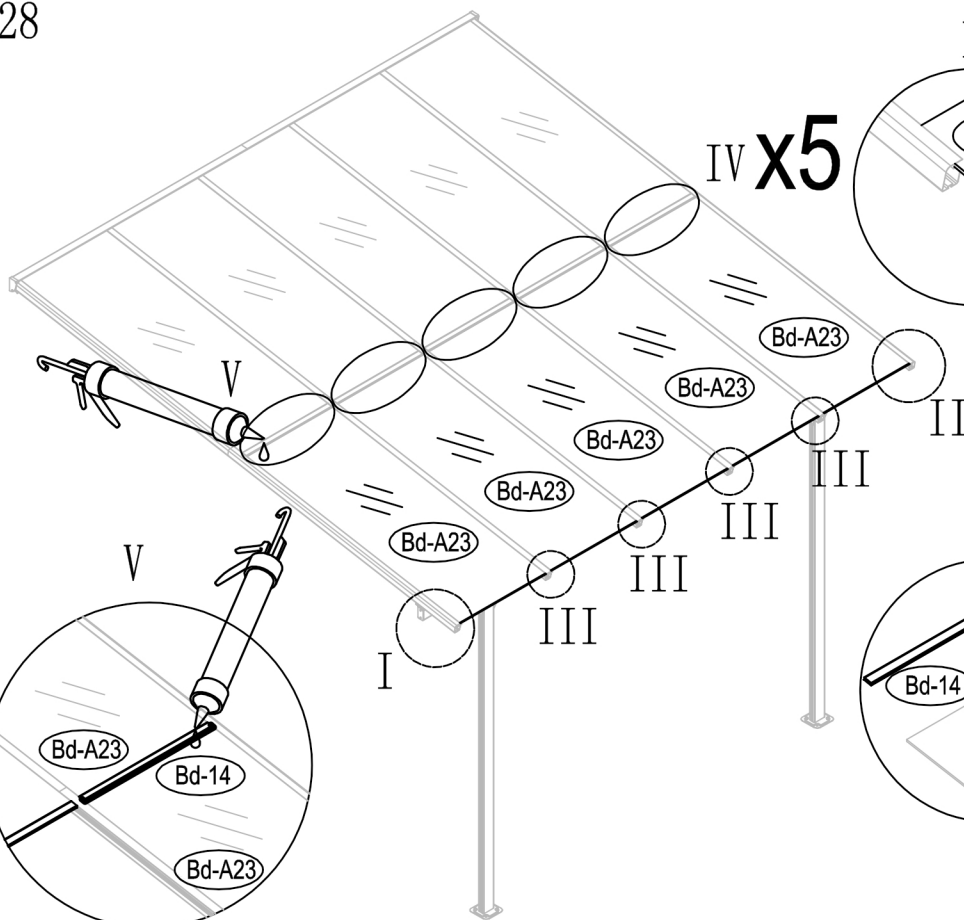
Bd-14



x5

28

IV x5



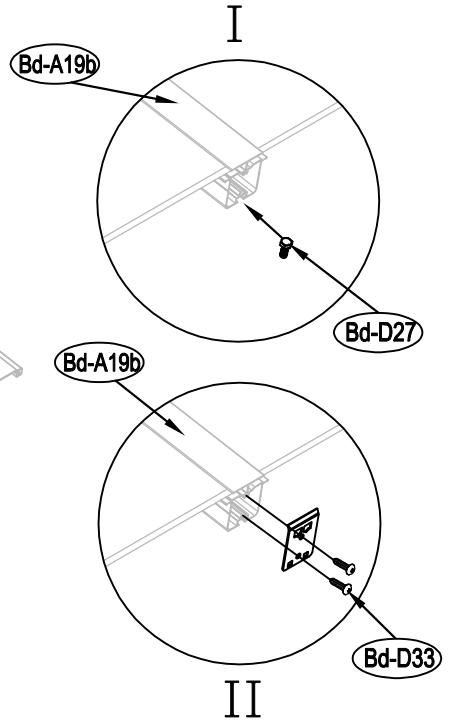
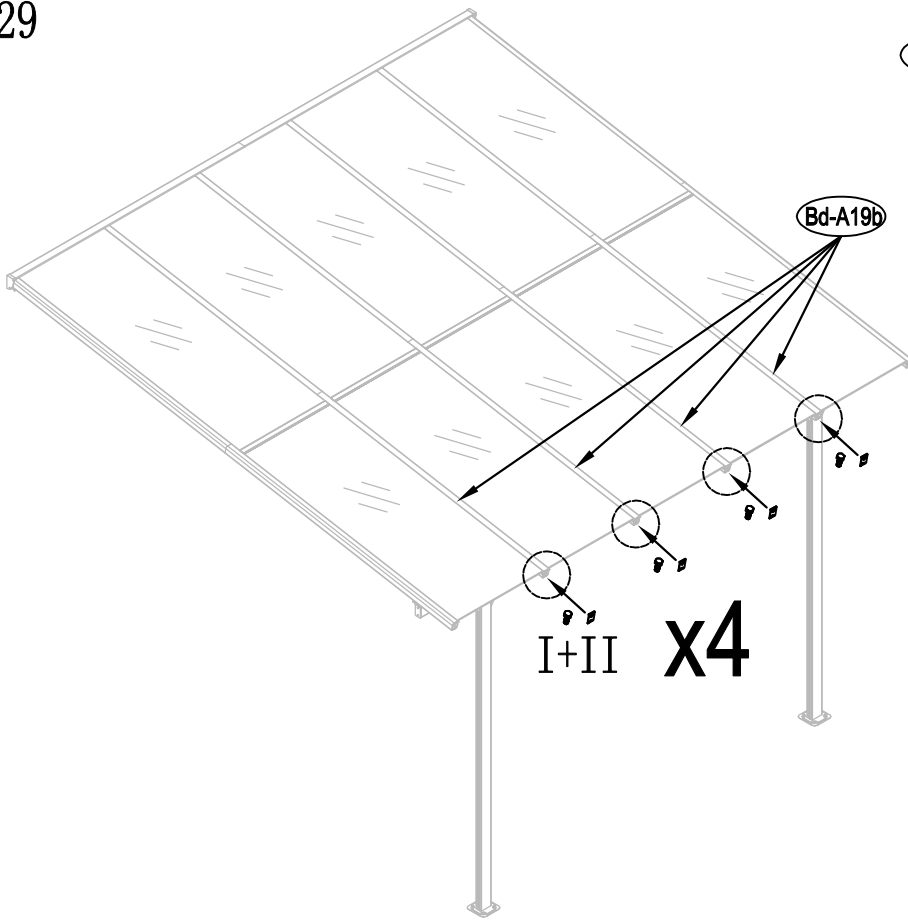
Bd-A23



x5

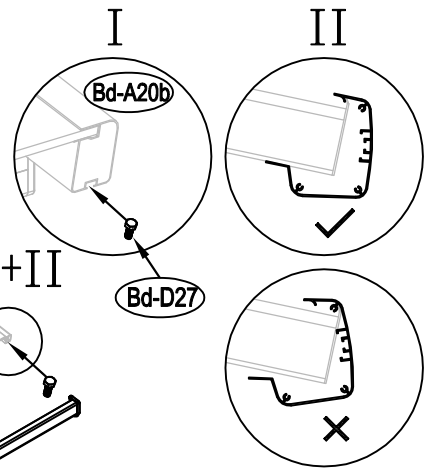
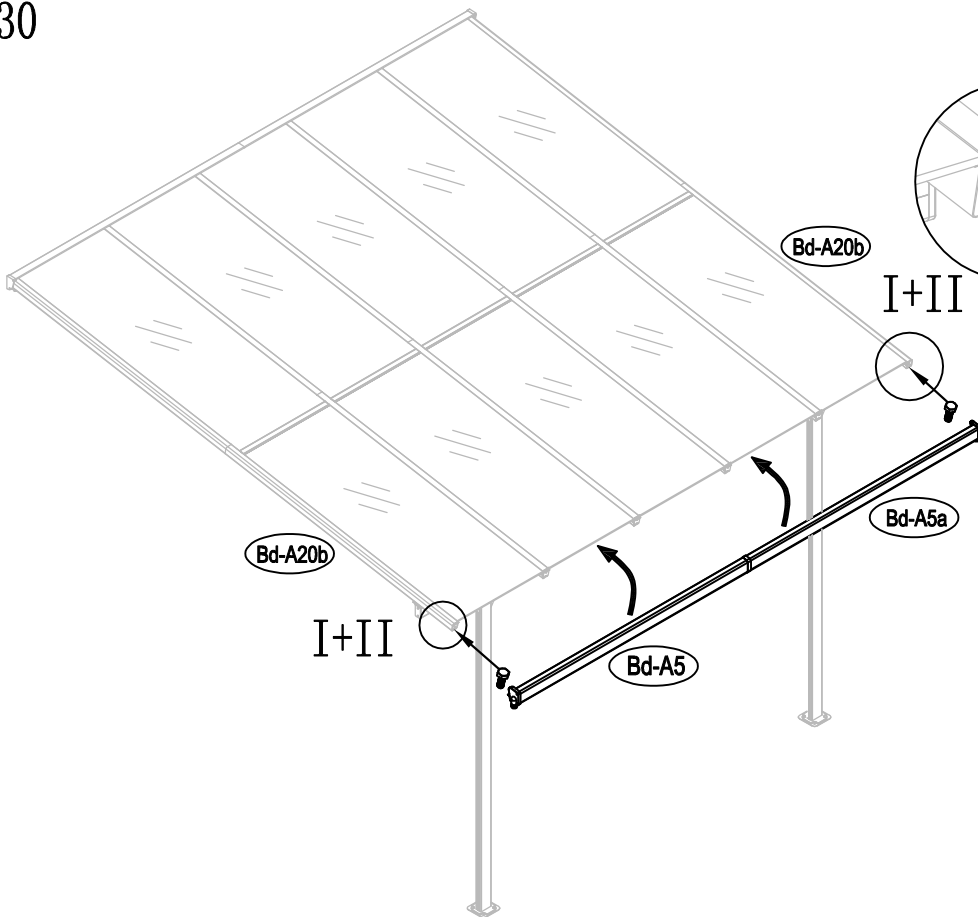


29



Bd-21		x4
Bd-D27		x4
Bd-D33		x8

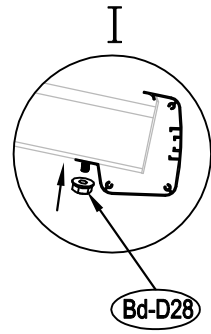
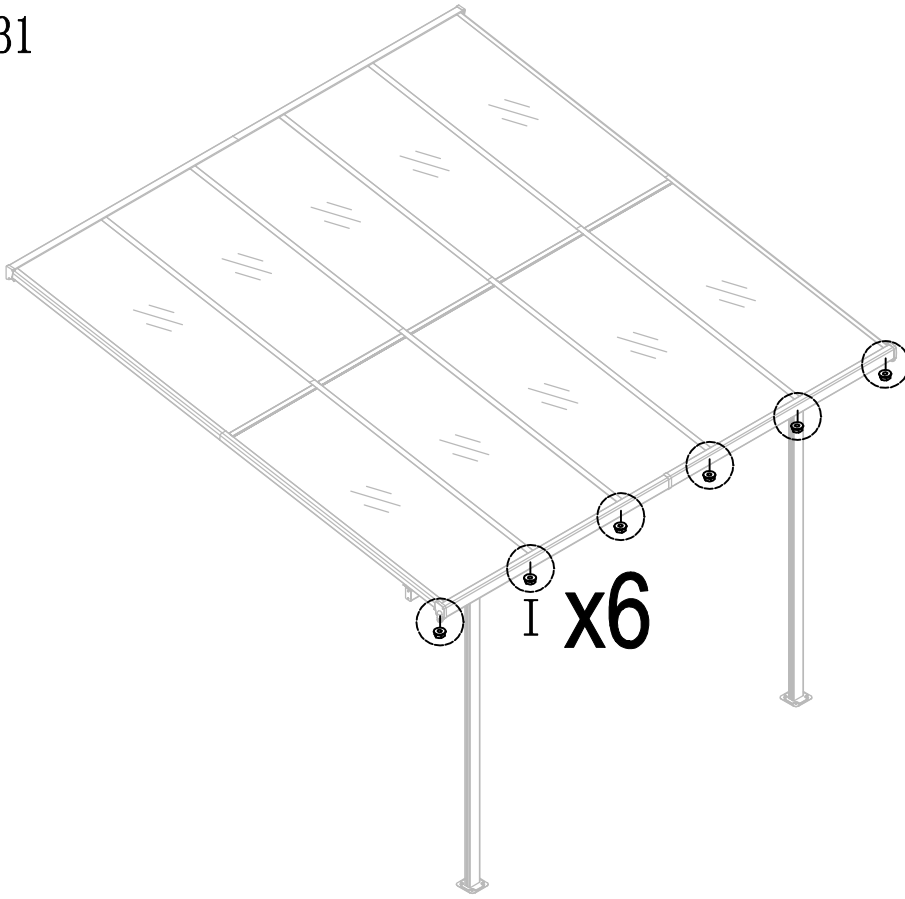
30



Bd-D27		x2
--------	--	----

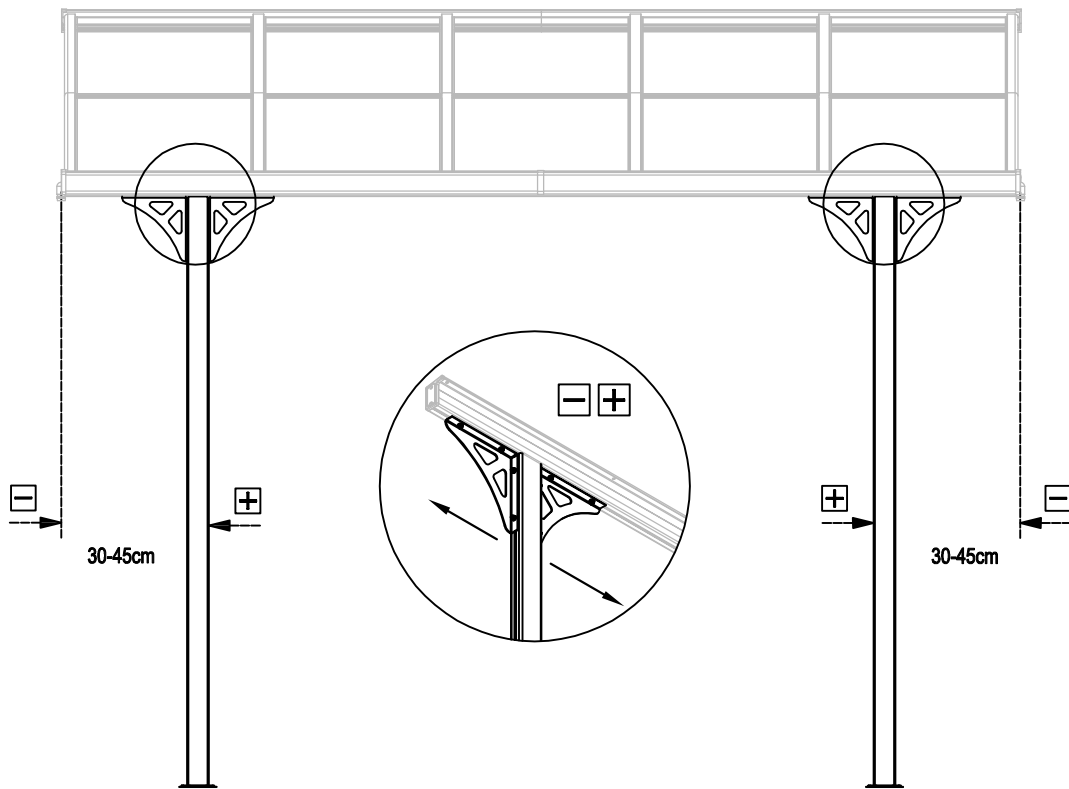


31

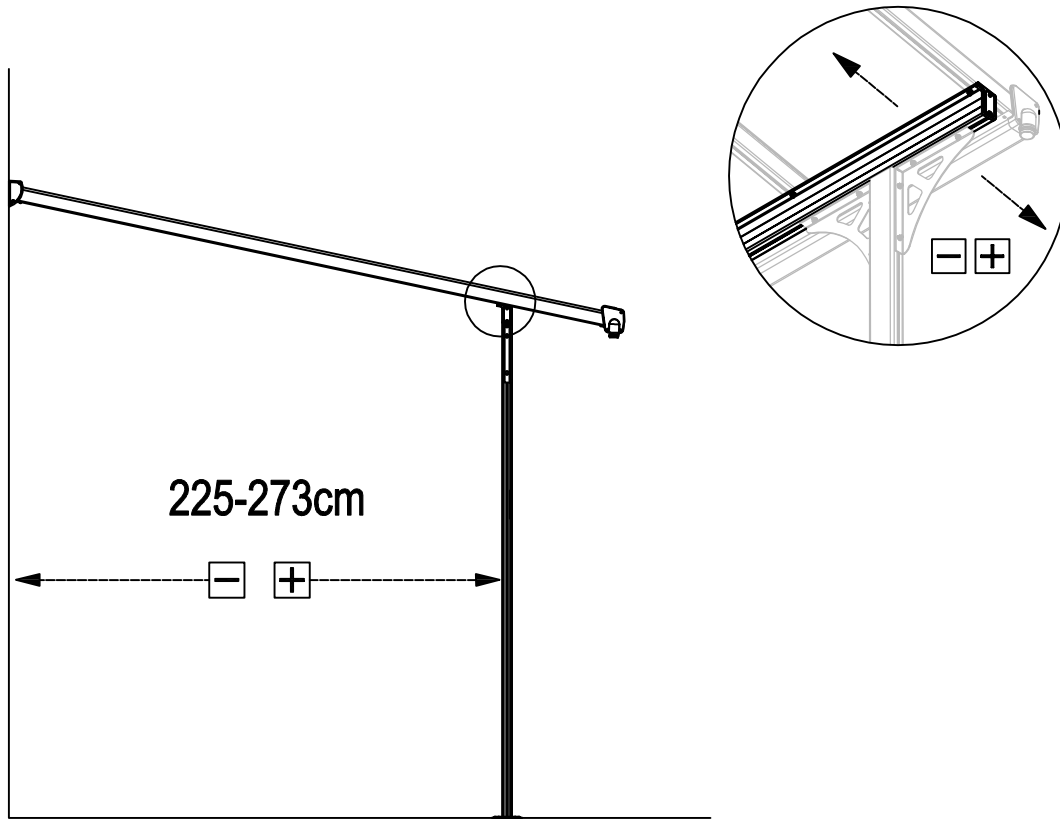


Bd-D28		x6
--------	--	----

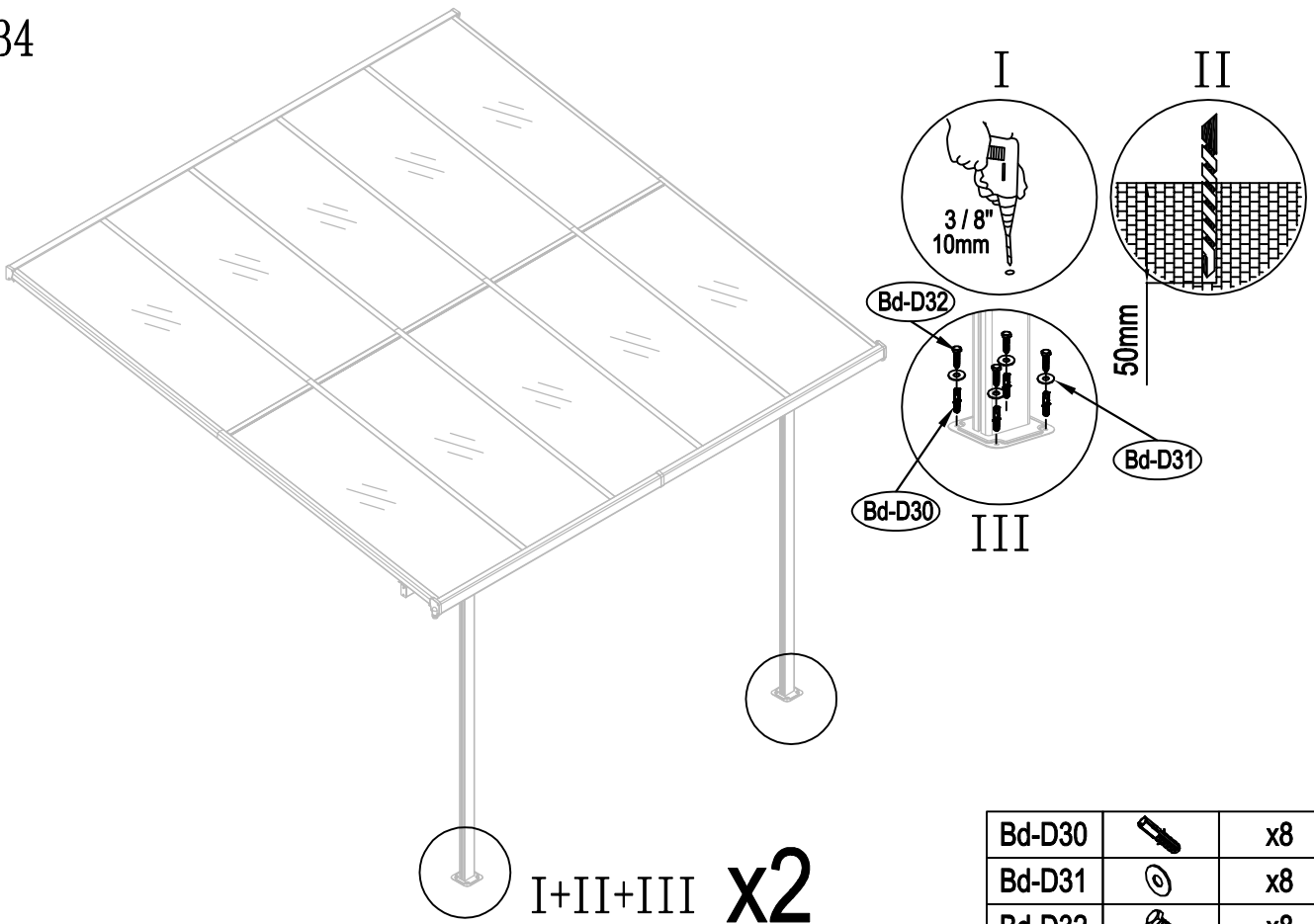
32



33



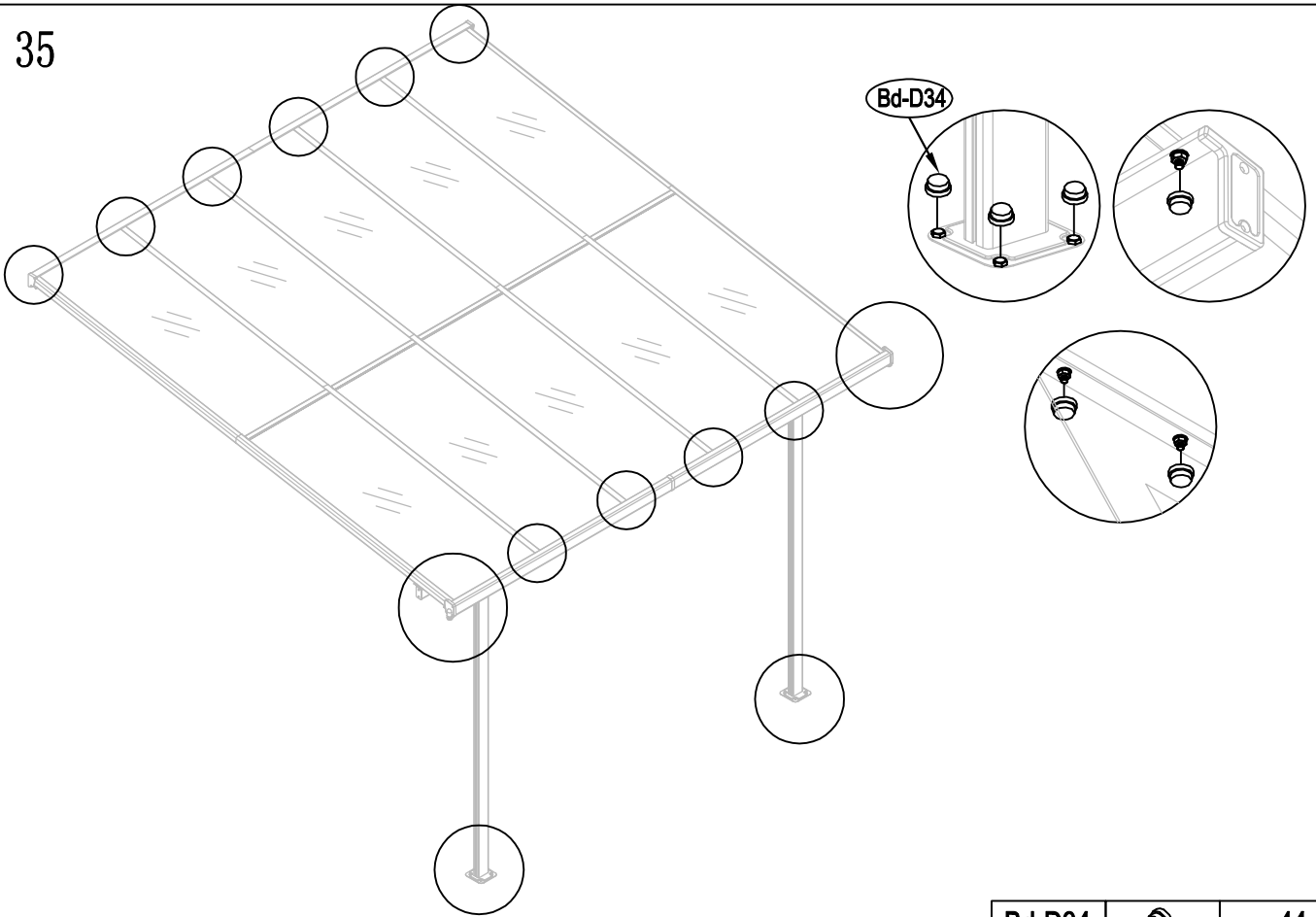
34



Bd-D30		x8
Bd-D31		x8
Bd-D32		x8



35



Bd-D34		x44
--------	---	-----

36

