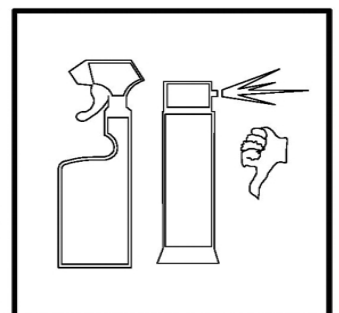
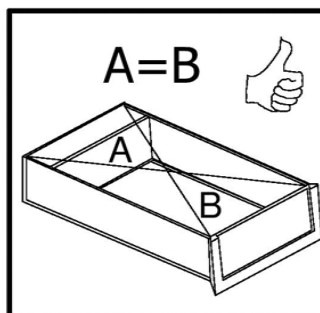
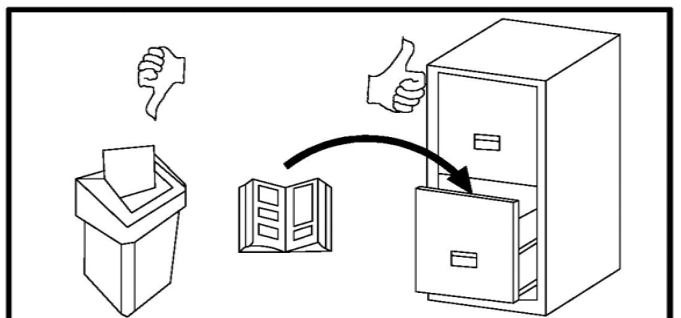
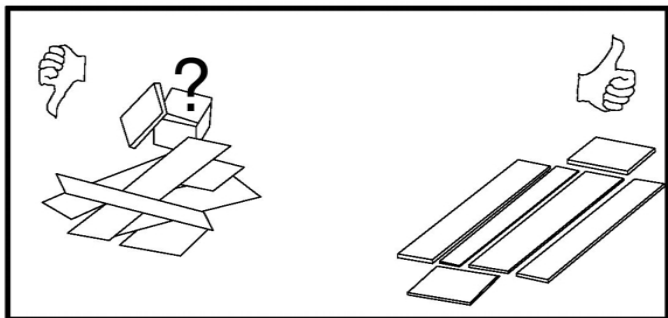
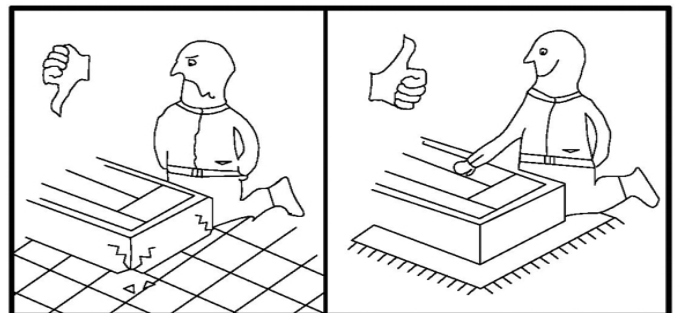
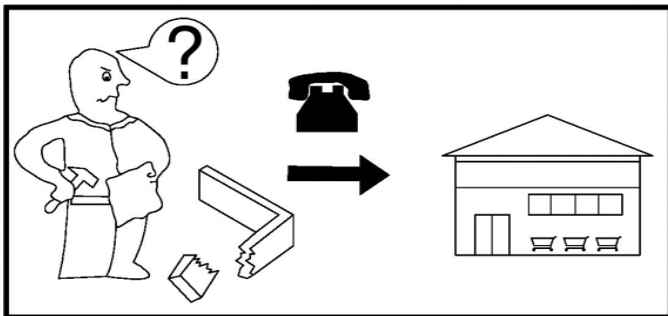
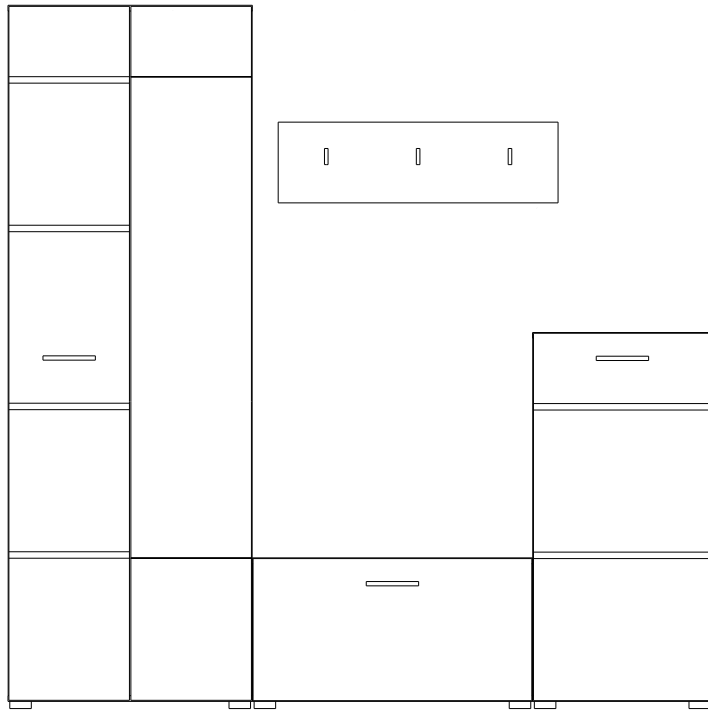
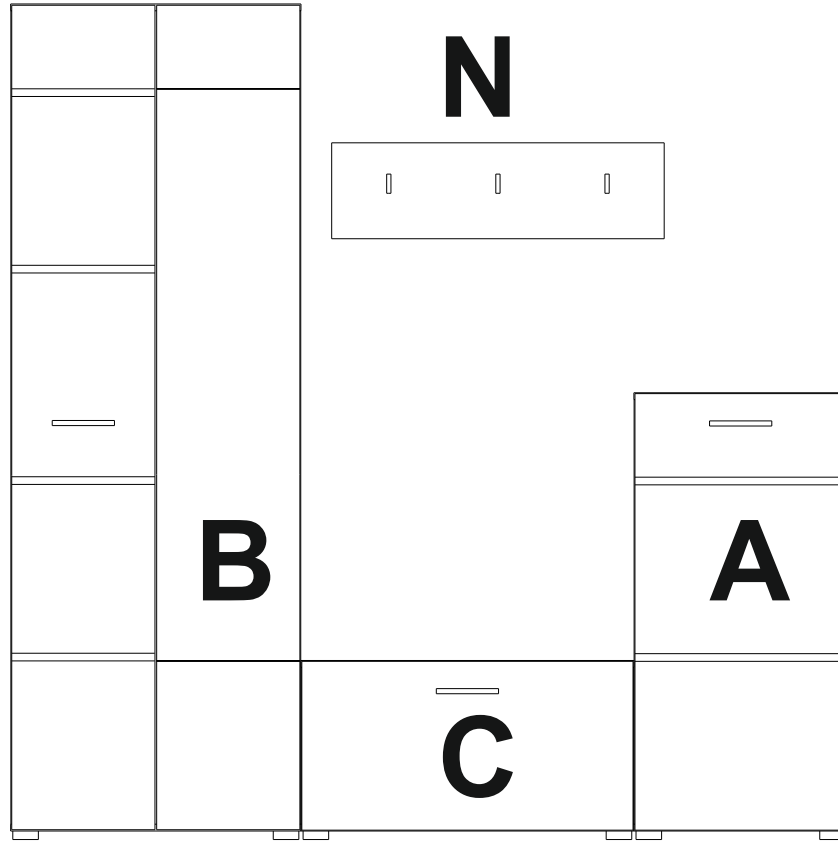
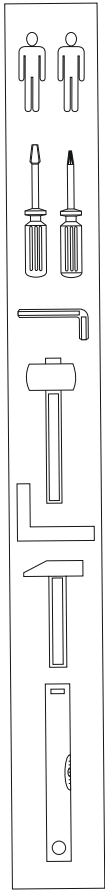
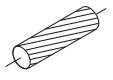
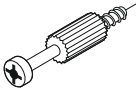

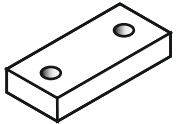
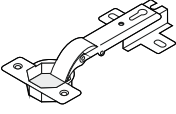

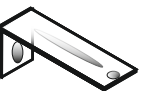

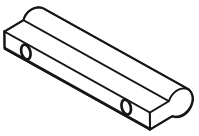



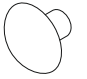


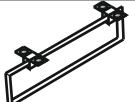
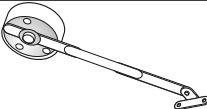


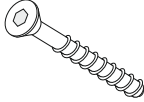

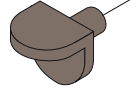

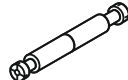
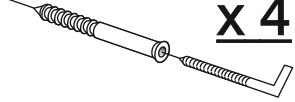
SIXX



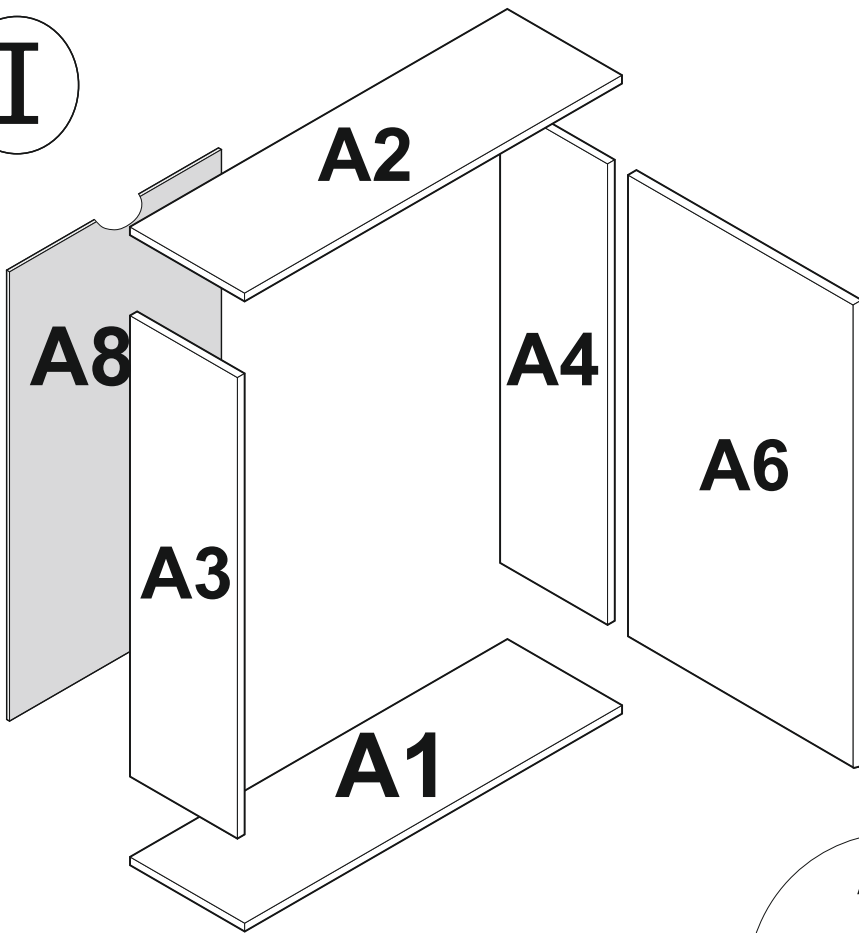


1	 8mm x 35mm	<u>x 32</u>
2		<u>x 18</u>
39	 3x20	<u>x 105</u>
10		<u>x 13</u>
5		<u>x 12</u>
6	 5mm x 11mm	<u>x 58</u>
41		<u>x 2</u>
73		<u>x 3</u>

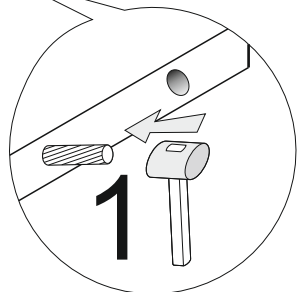
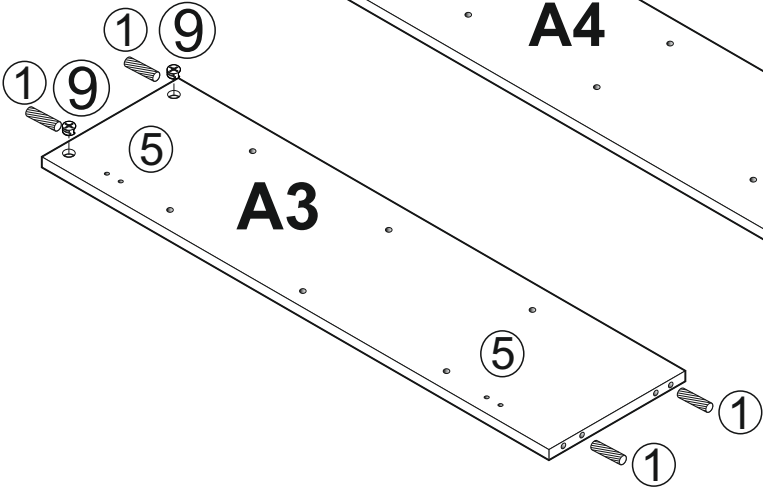
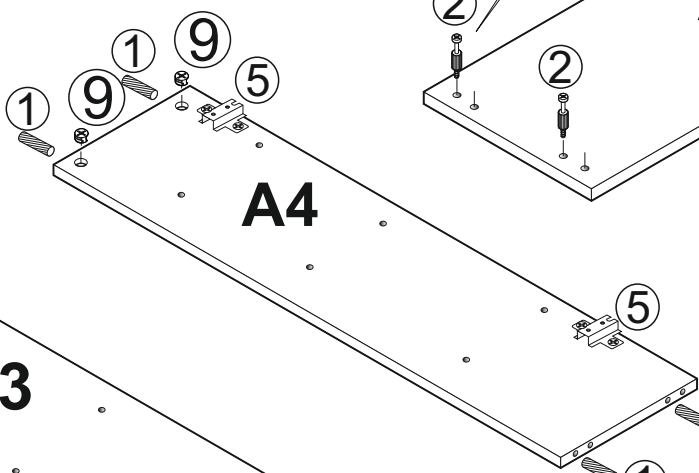
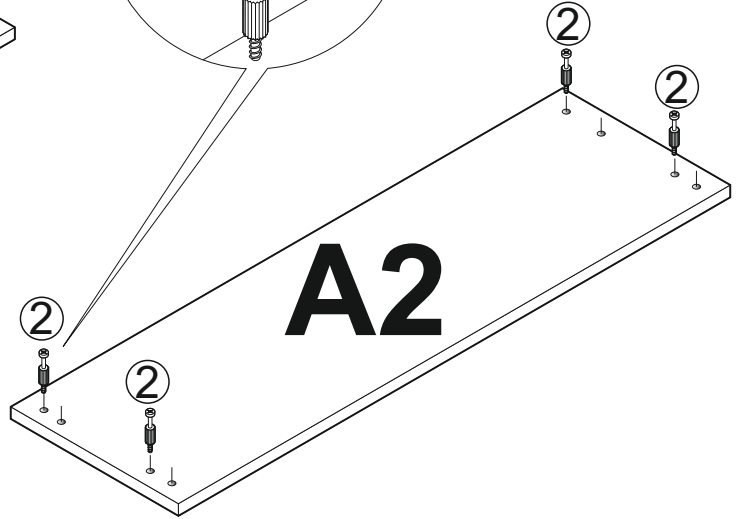
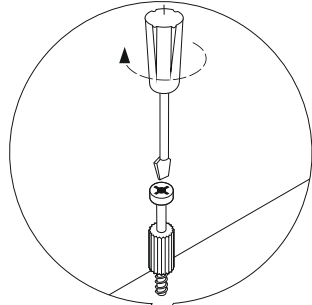
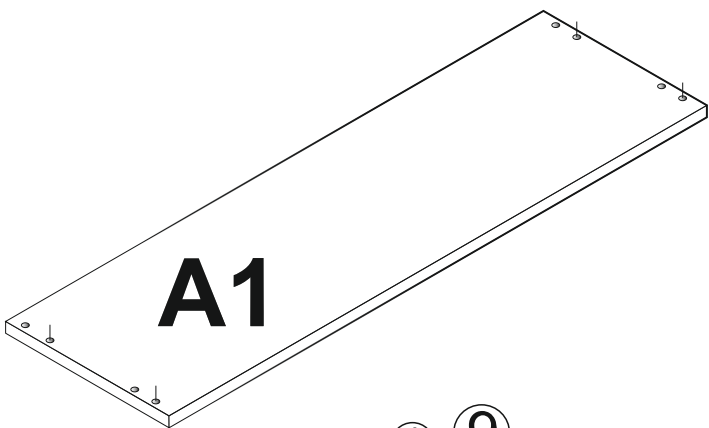
3		<u>x 3</u>
26		<u>x 1</u>
21	 3.5x30	<u>x 12</u>
9		<u>x 26</u>
9A	 <u>x 4</u>	9B  <u>x 22</u>
11	 3.5x13	<u>x 9</u>
67		<u>x 1</u>
71		<u>x 1</u>

22	 7mm x 50mm	<u>x 18</u>
22A		<u>x 18</u>
13		<u>x 12</u>
72		<u>x 2</u>
28		<u>x 4</u>
80		<u>x 4</u>

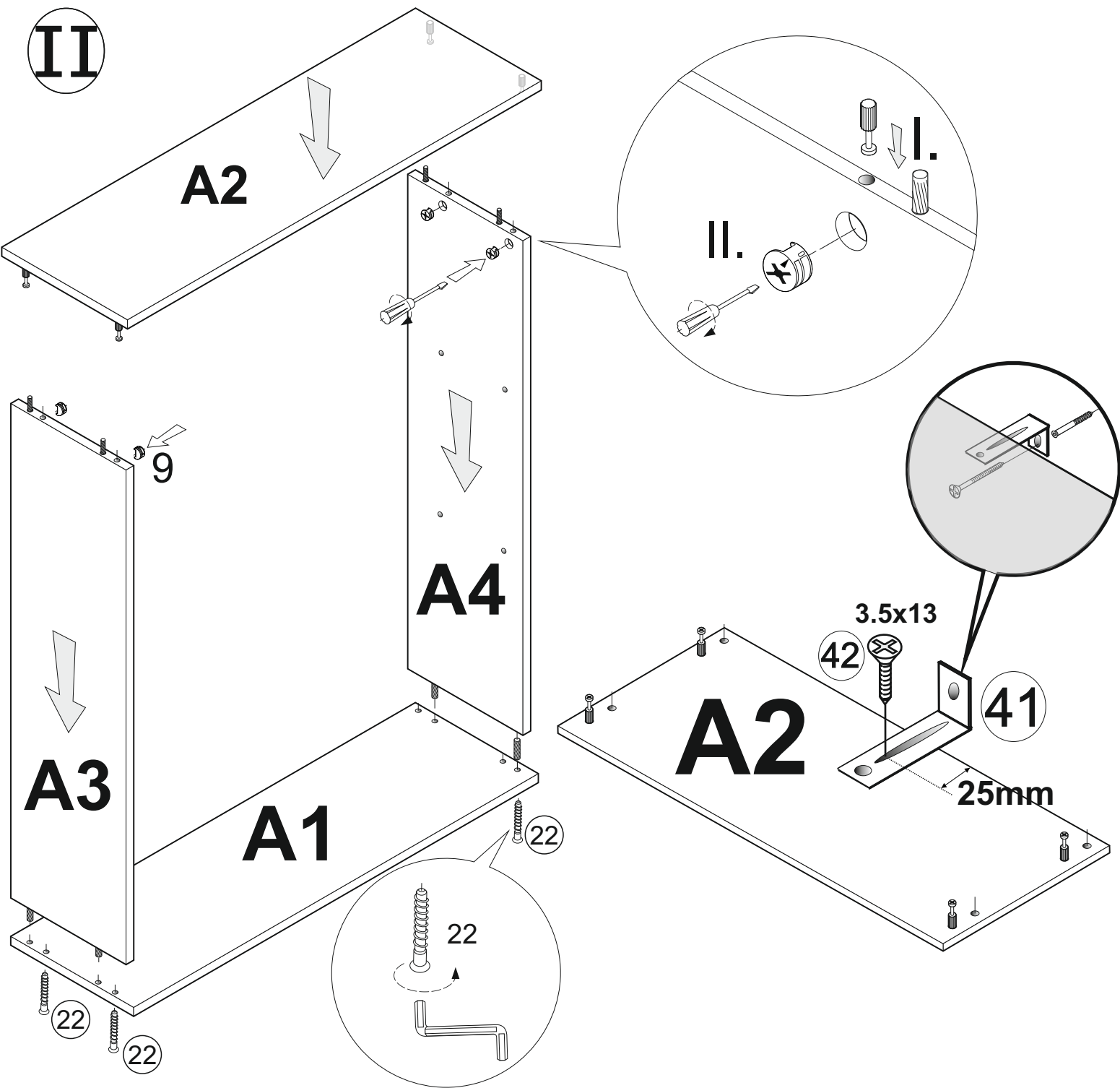
I



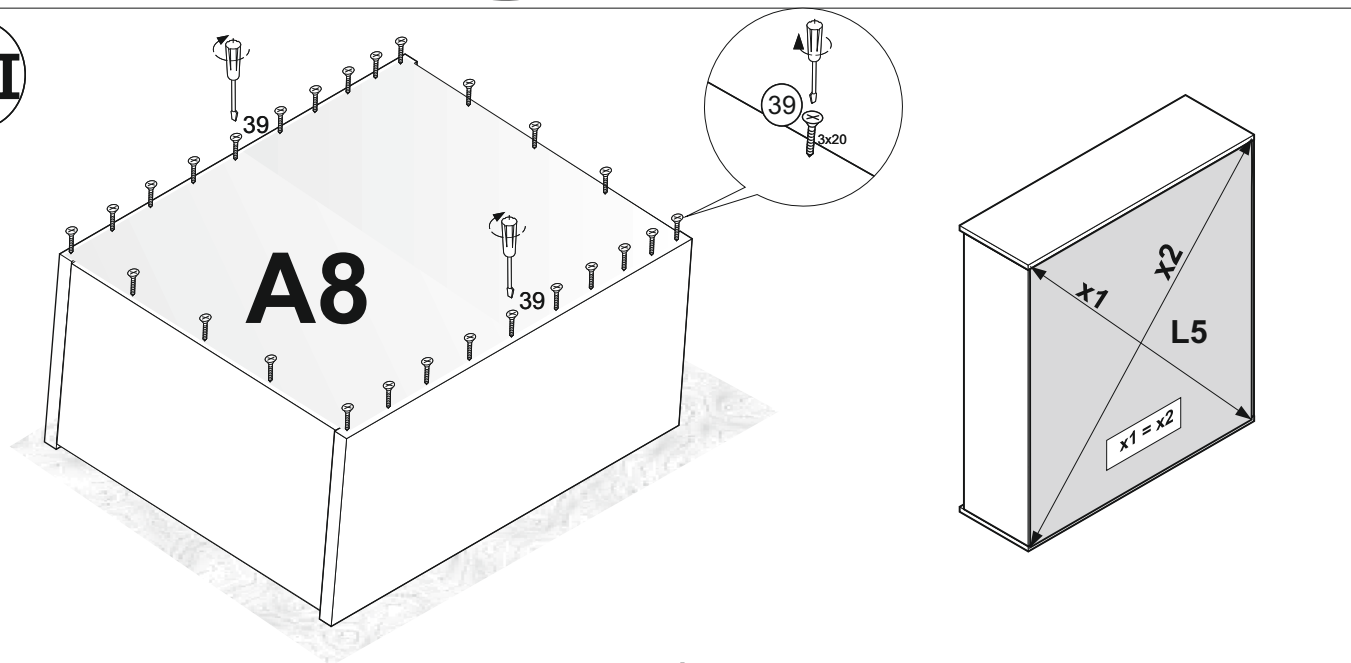
A3/ A4	996mm x 330mm
A1/ A2	501mm x 330mm
A6	1024mm x 496mm
A8	1024mm x 495mm



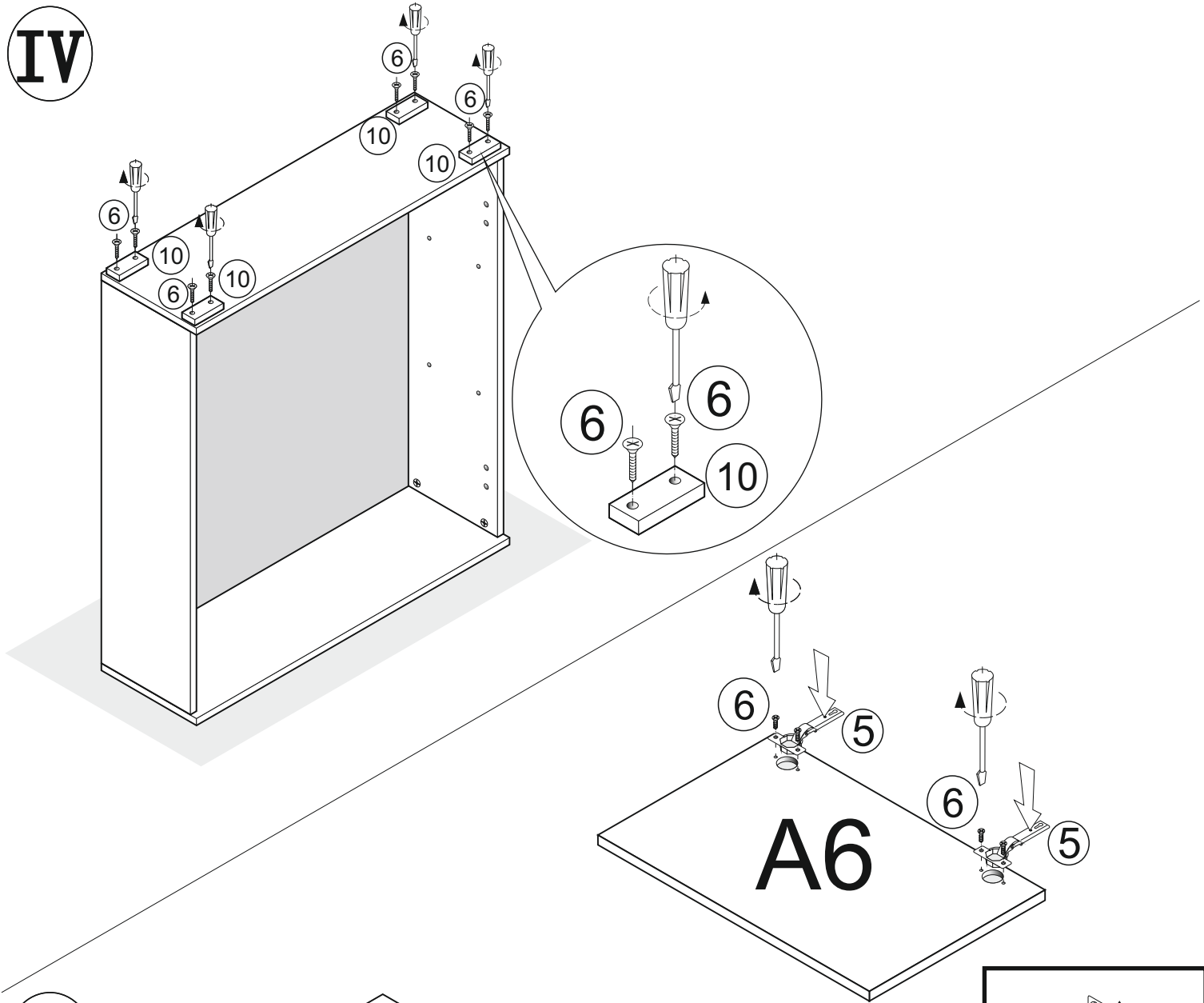
II



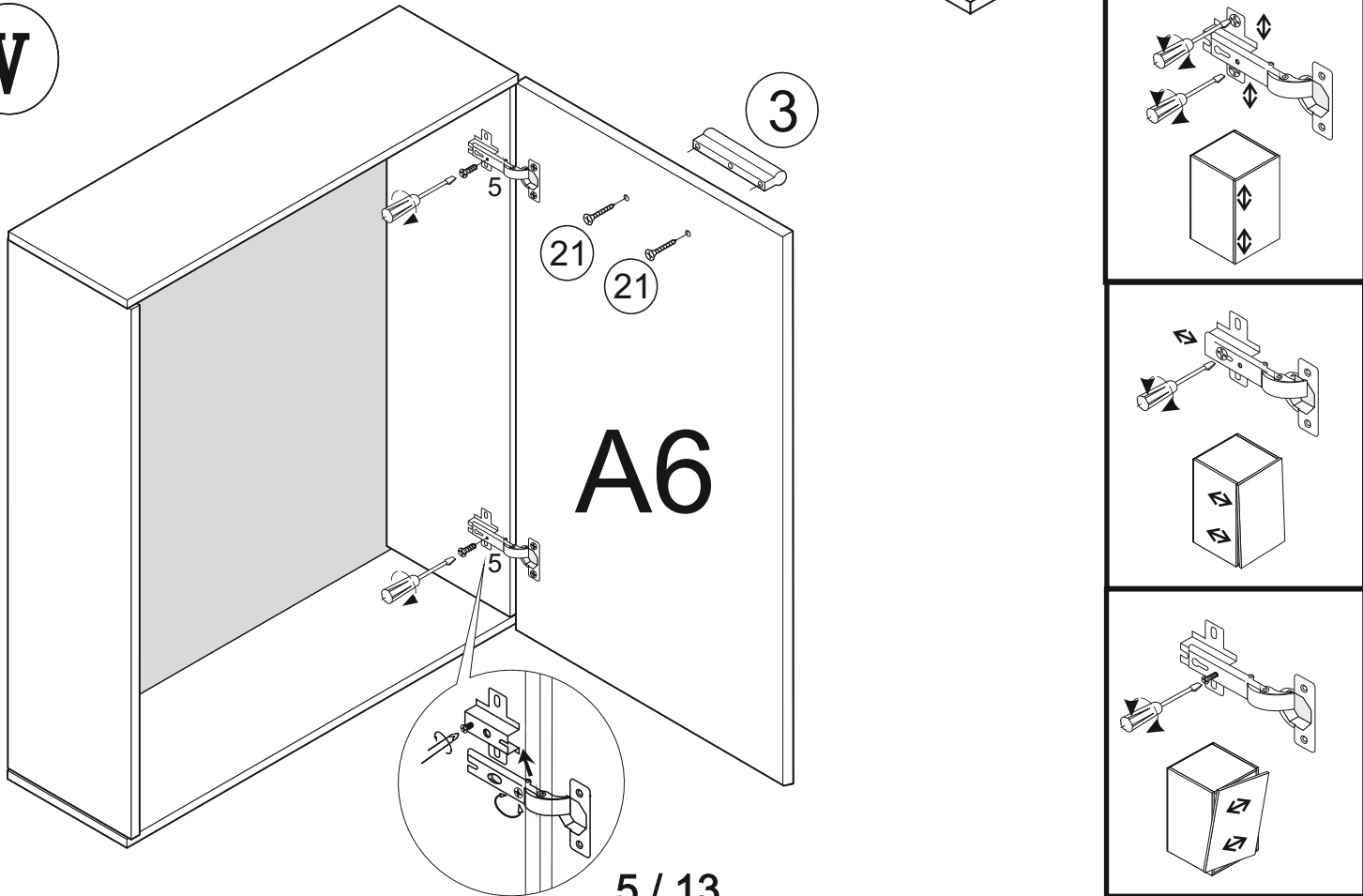
III



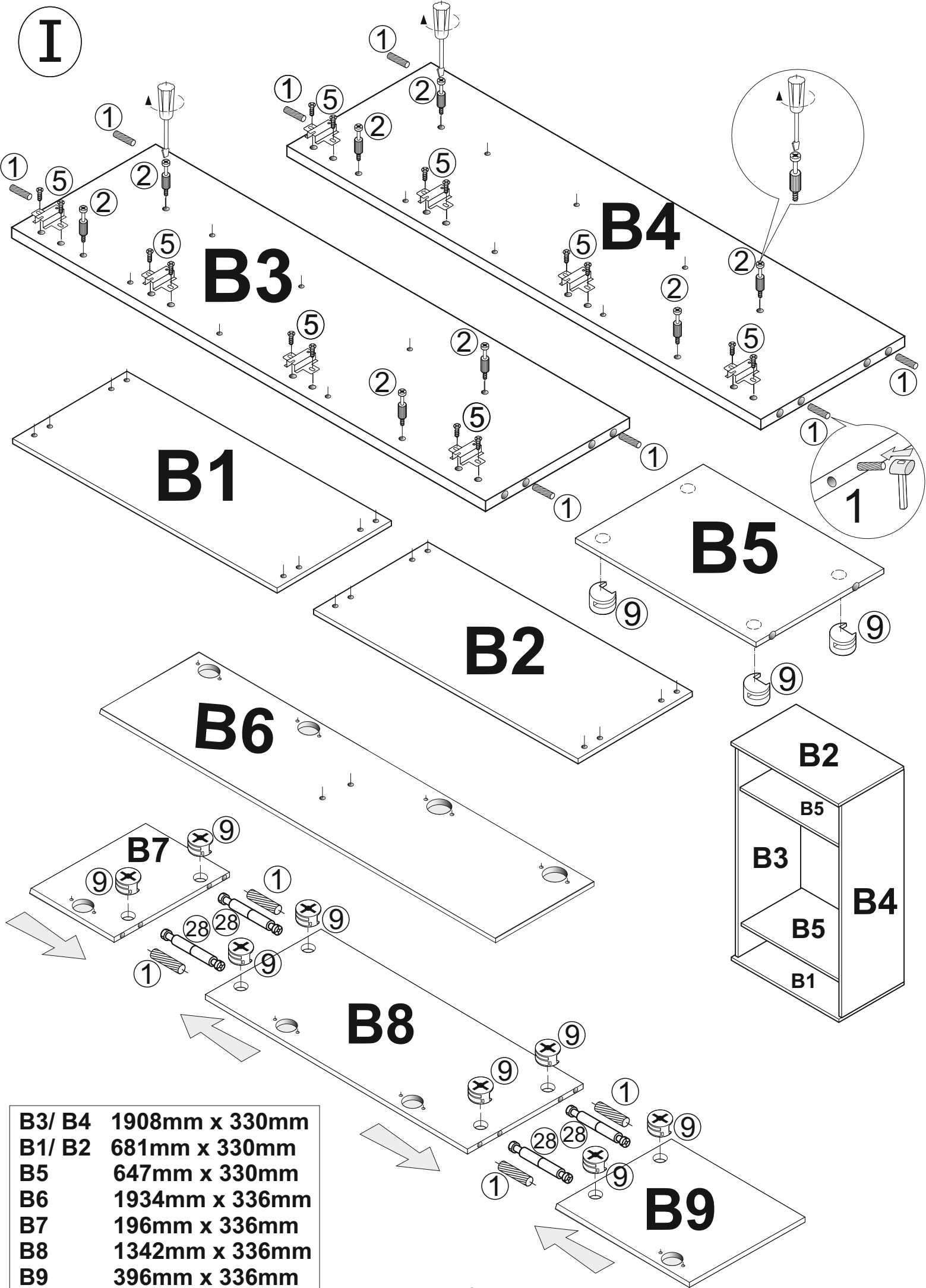
IV



V

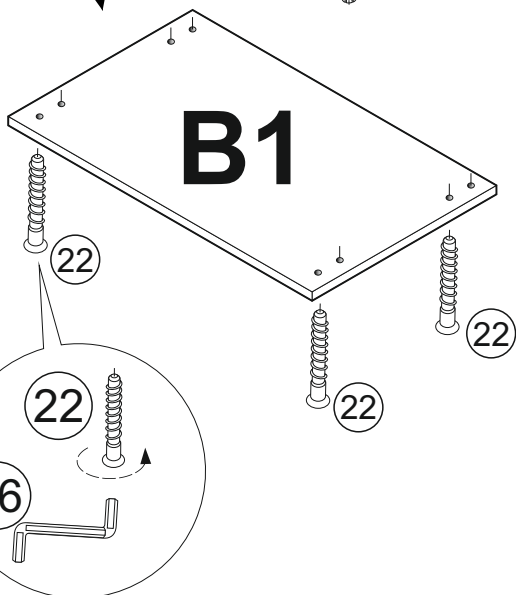
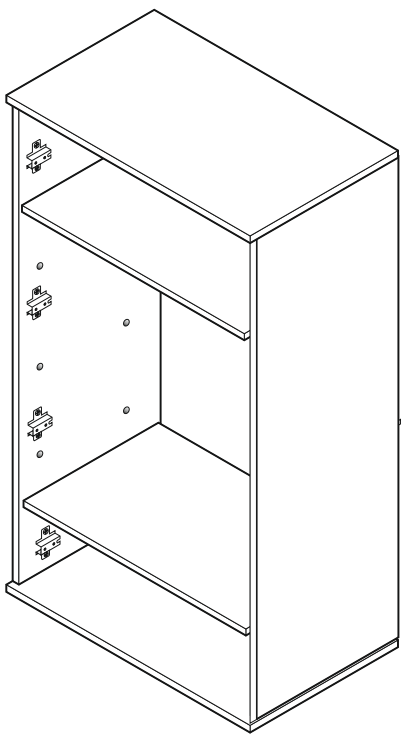
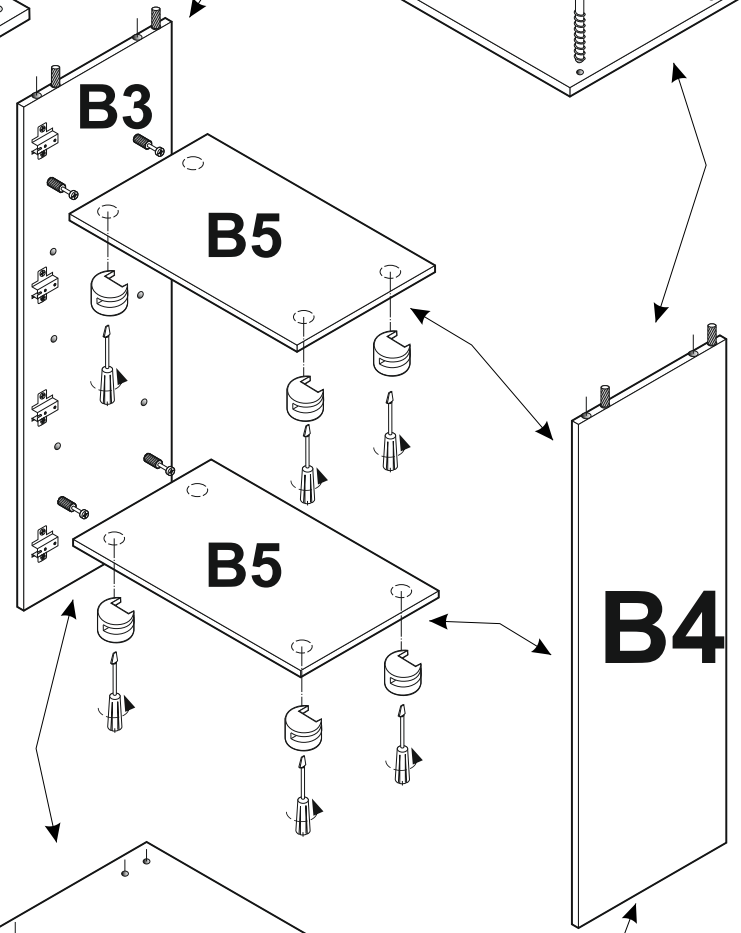
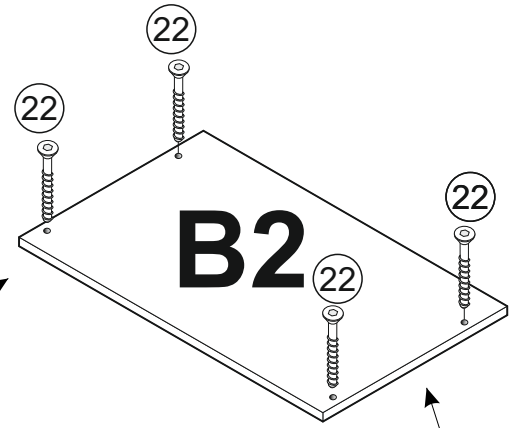
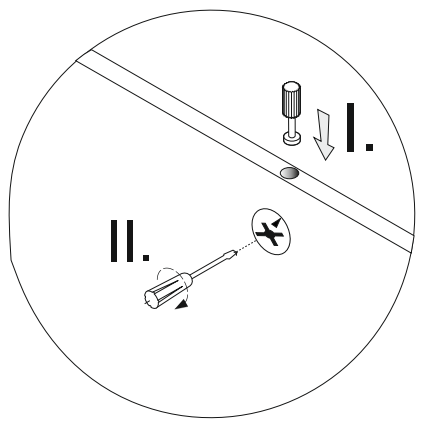
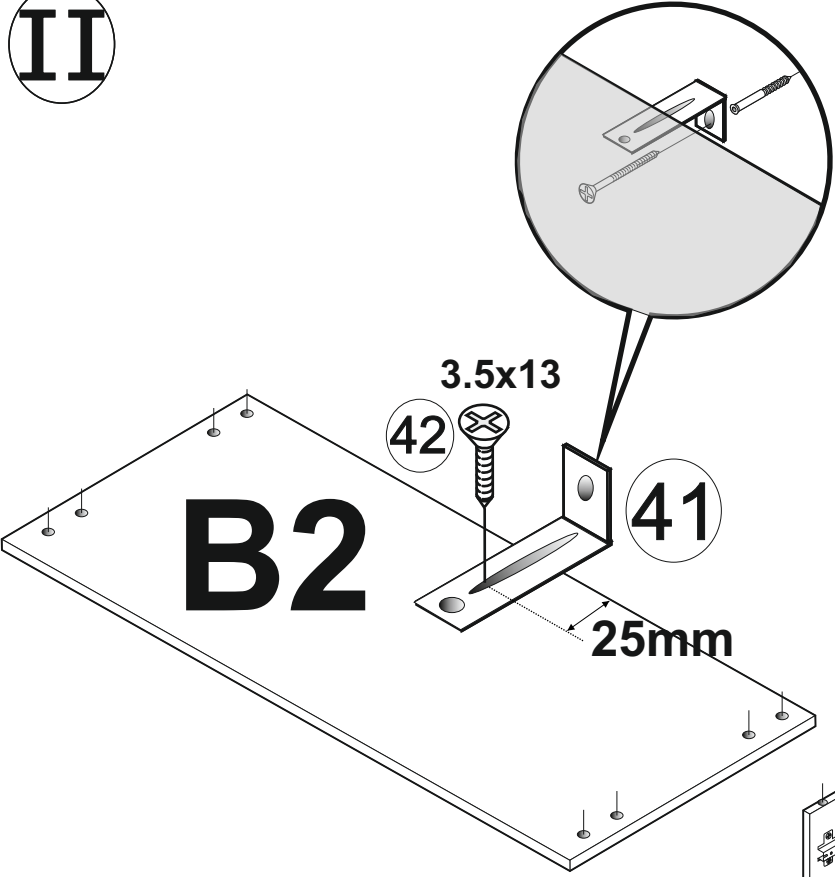
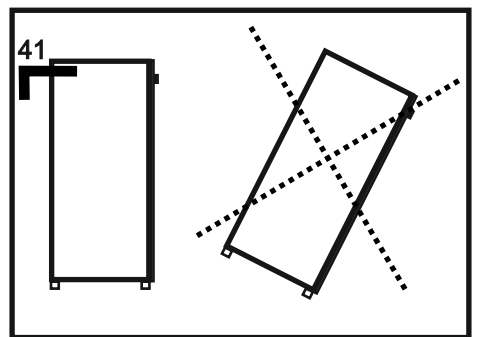


I

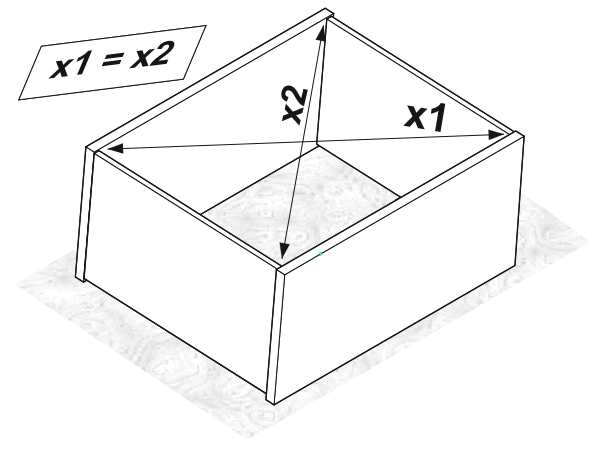
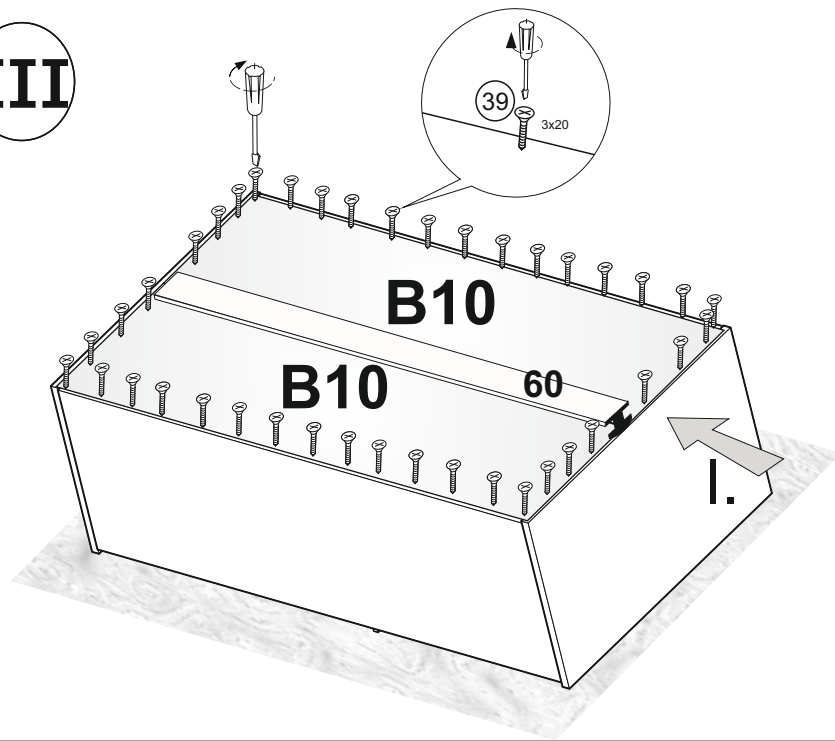


B3/ B4	1908mm x 330mm
B1/ B2	681mm x 330mm
B5	647mm x 330mm
B6	1934mm x 336mm
B7	196mm x 336mm
B8	1342mm x 336mm
B9	396mm x 336mm

II

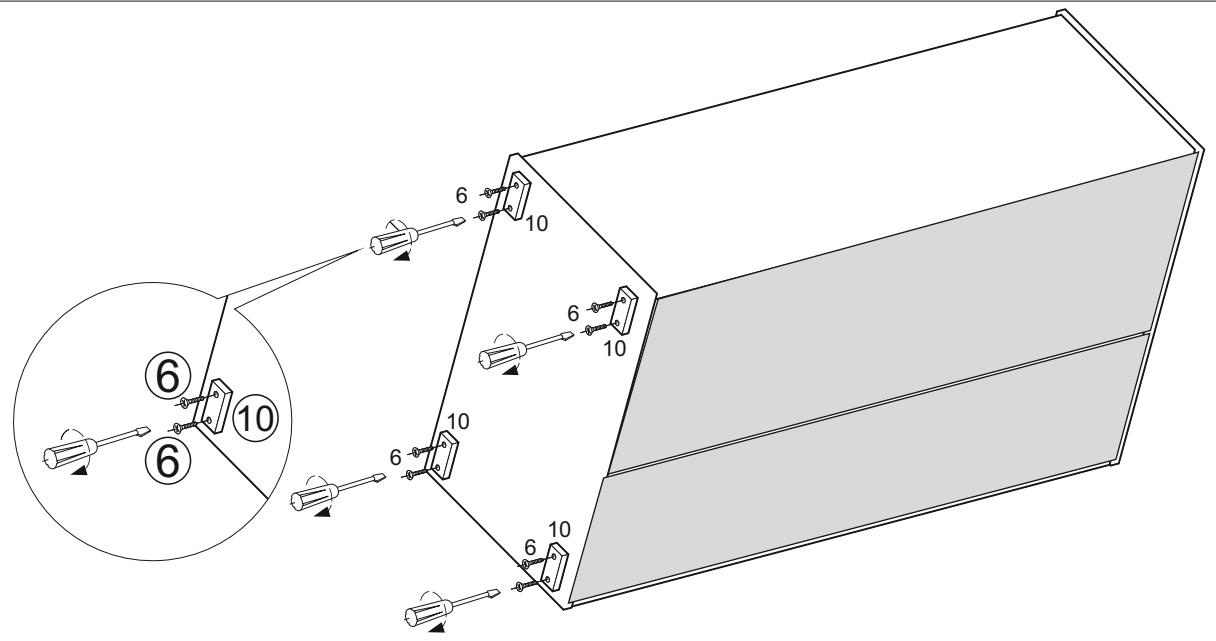


III

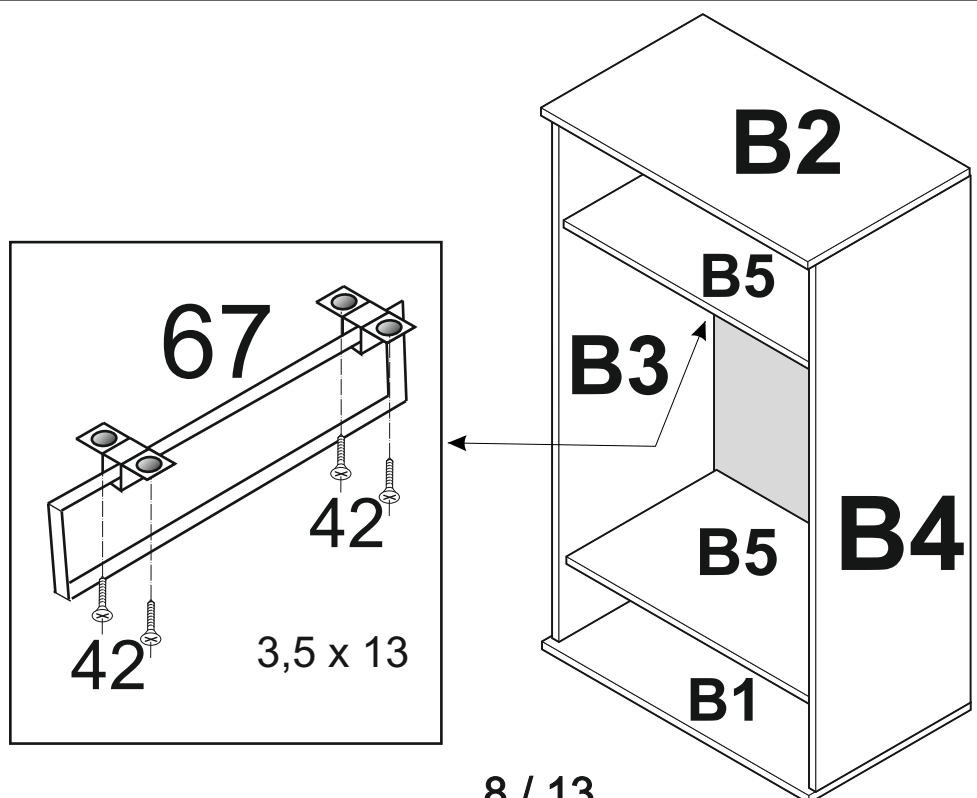


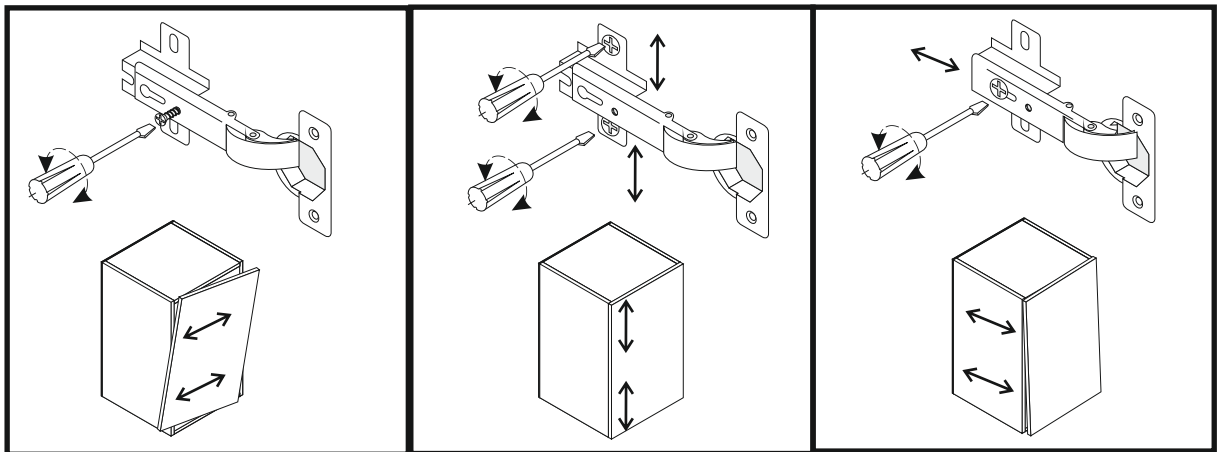
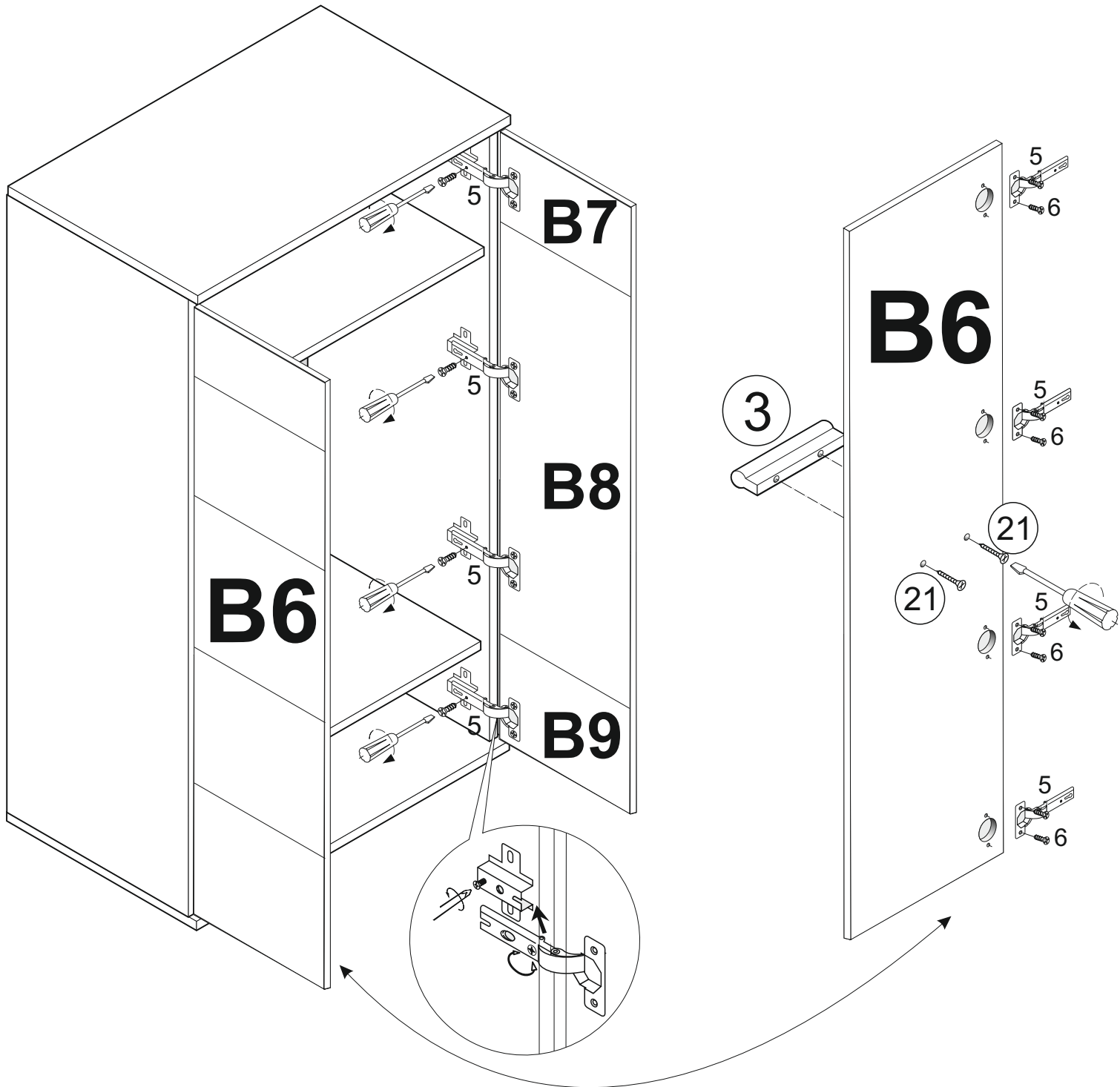
B10 1936mm x 335mm

IV

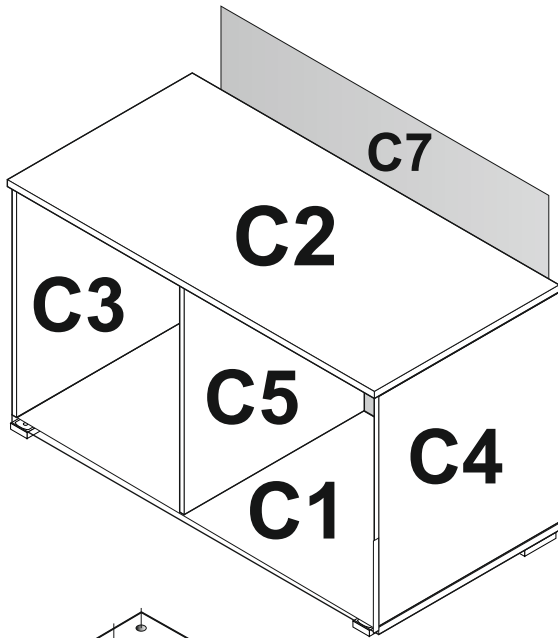


V

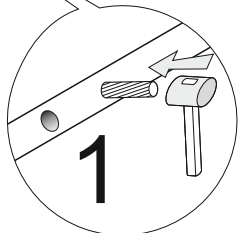
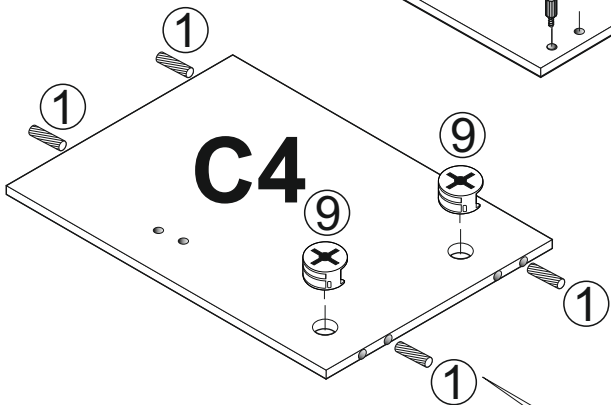
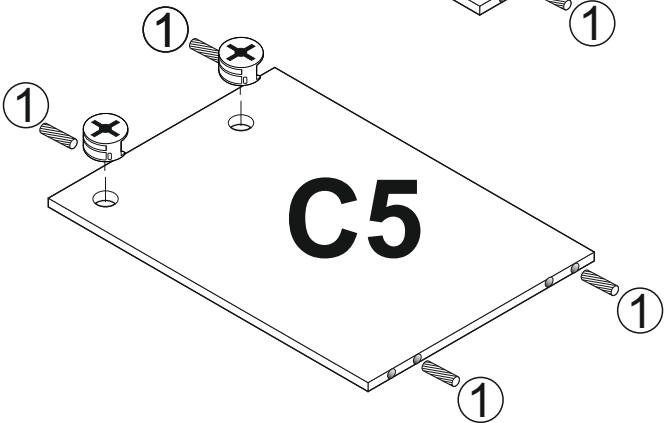
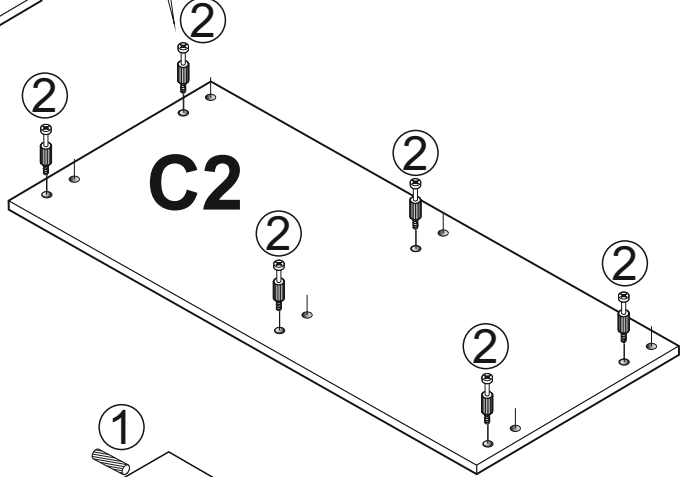
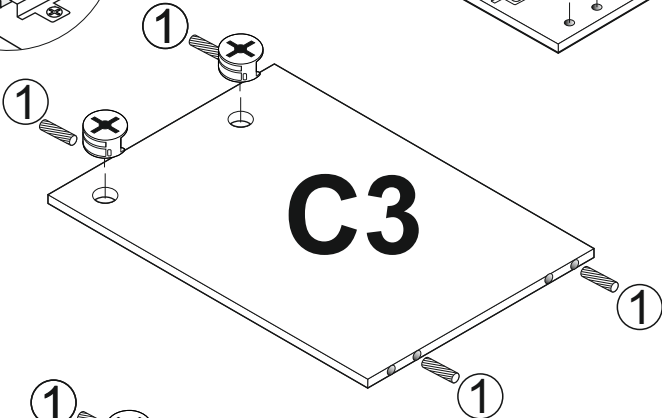
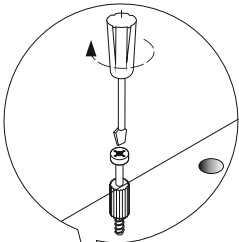
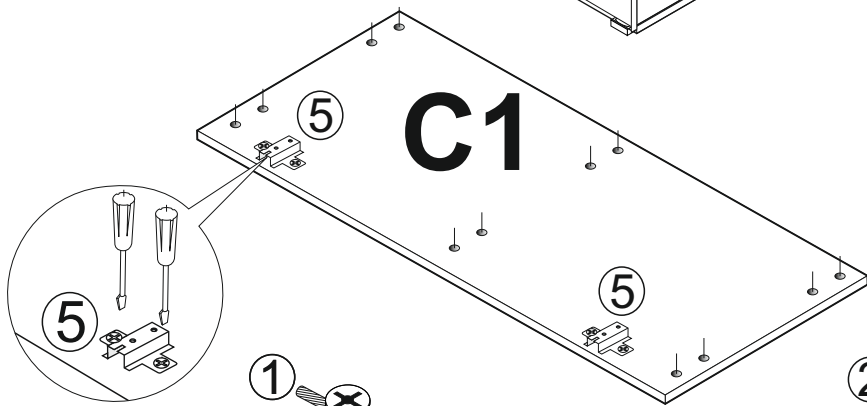




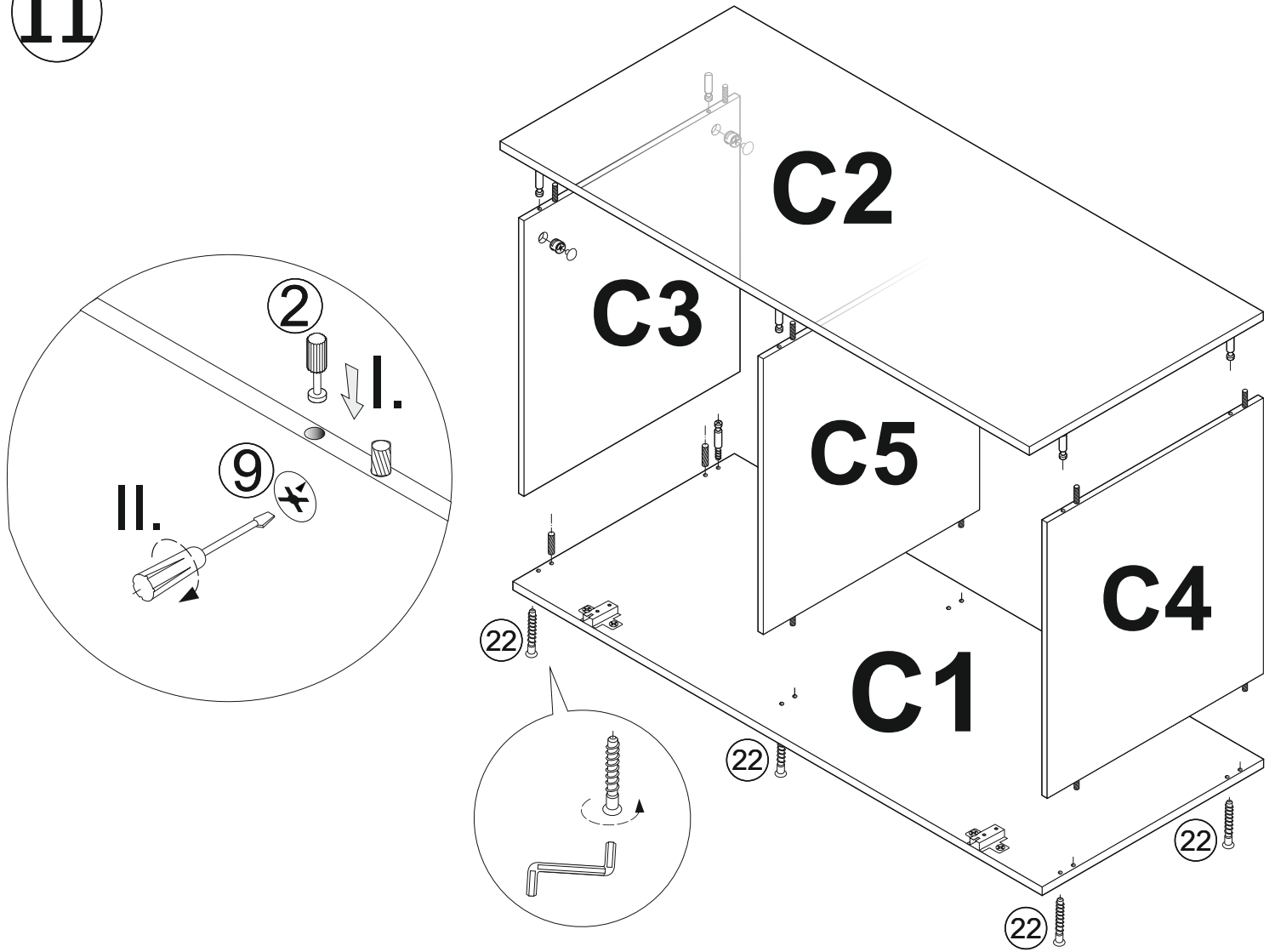
I



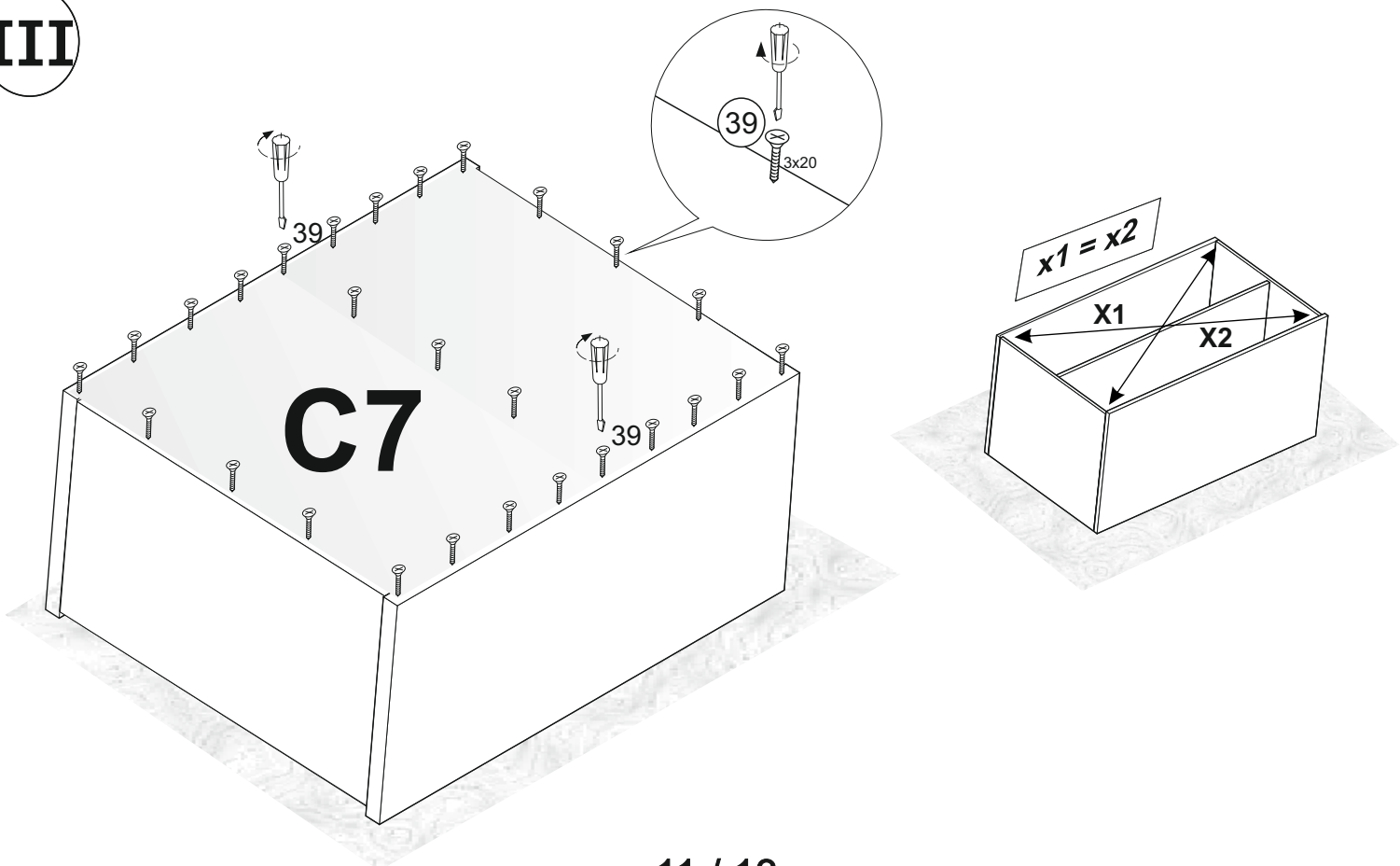
C3/ C4	368mm x 330mm
C1/ C2	781mm x 330mm
C5	368mm x 330mm
C7	775mm x 395mm



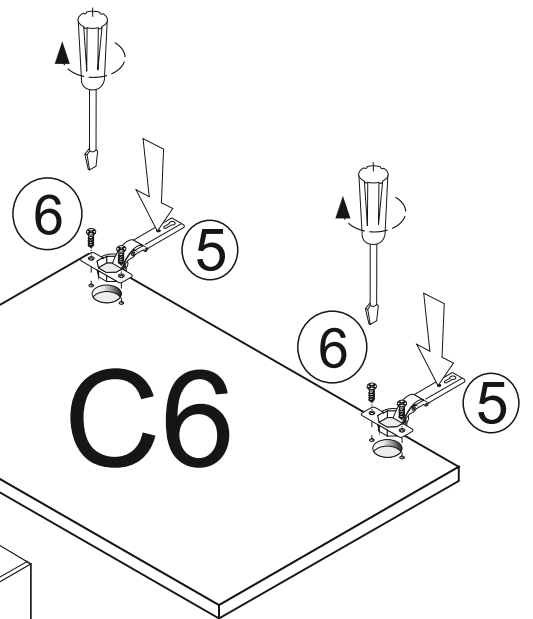
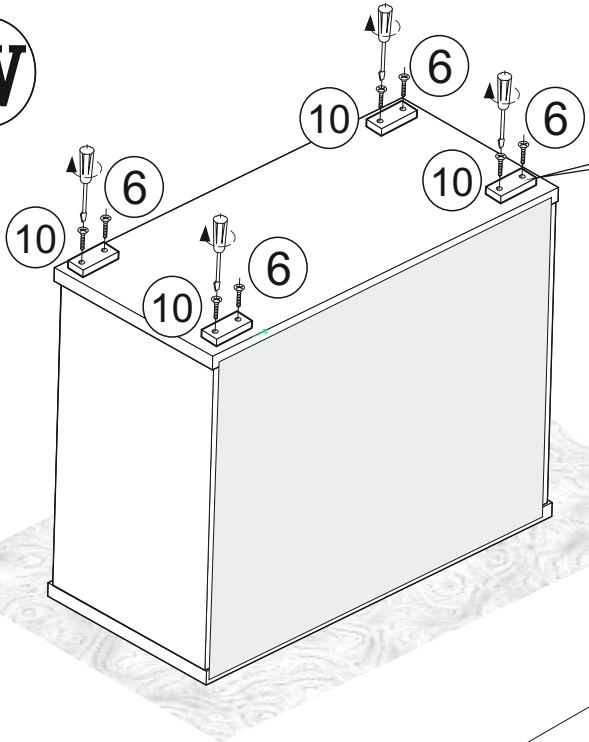
II



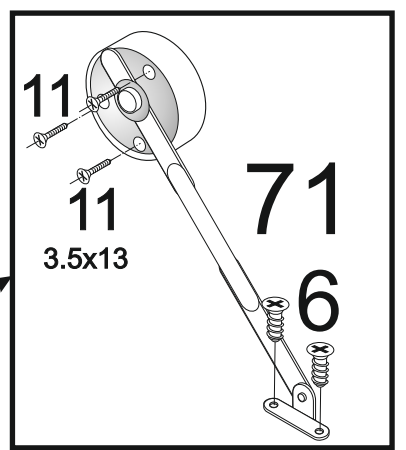
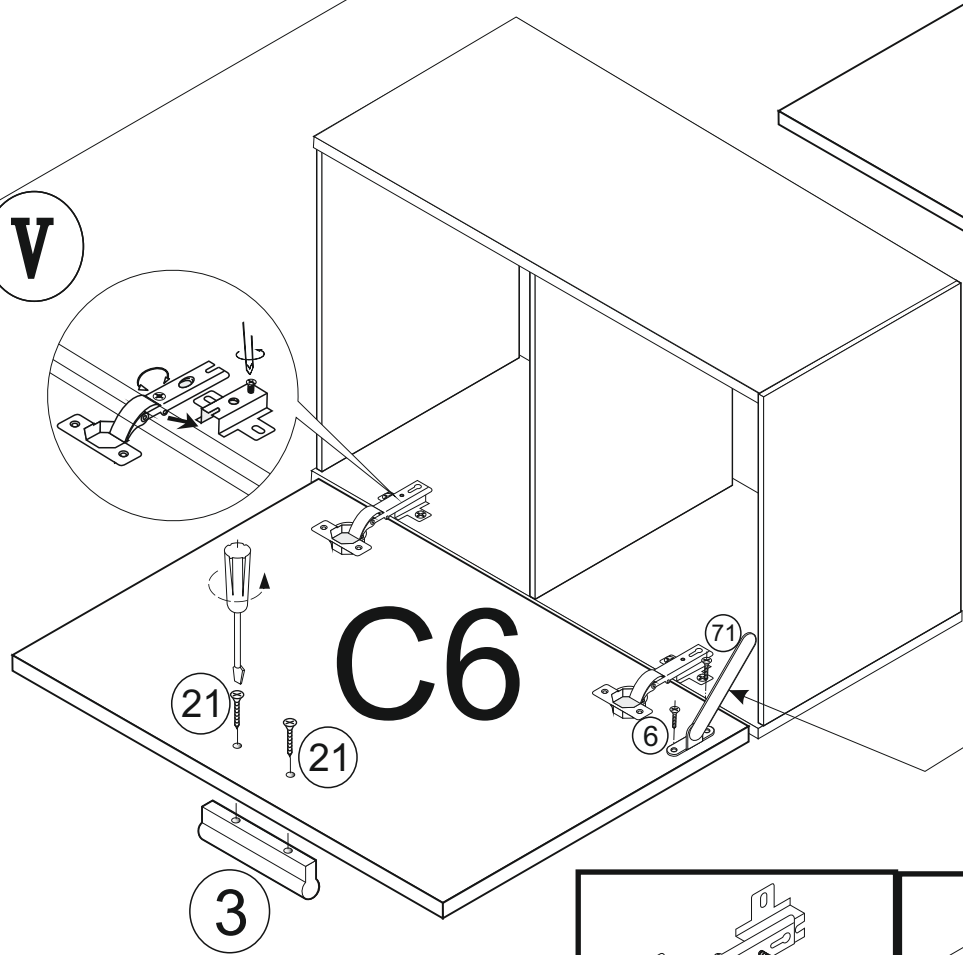
III



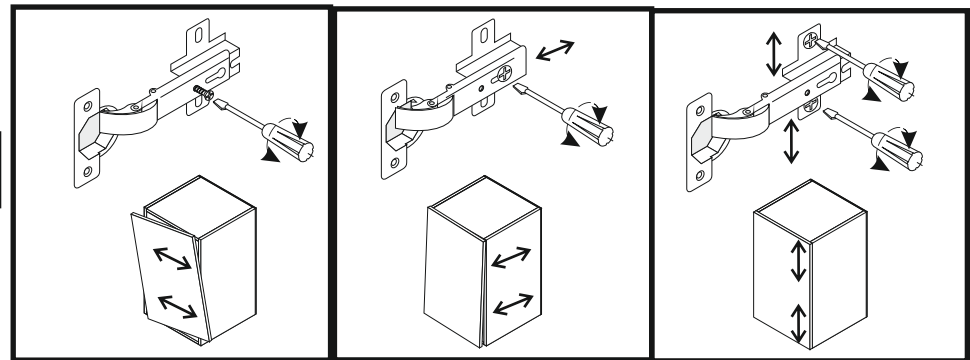
IV



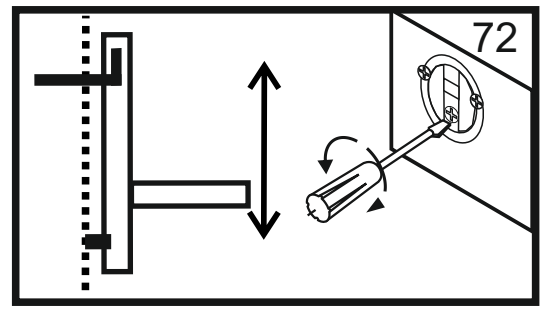
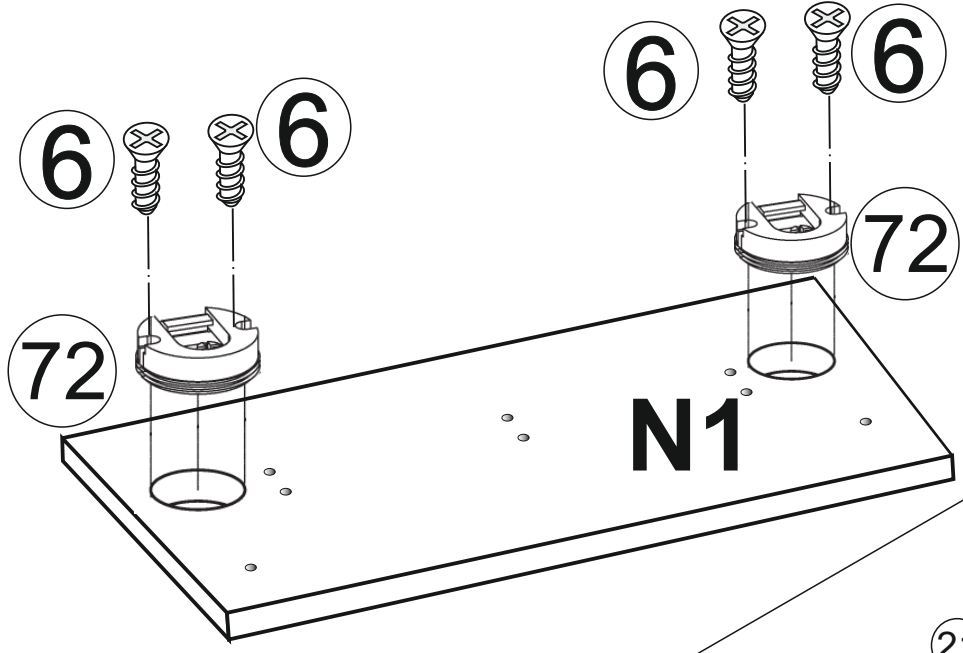
V



C6 776mm x 396mm

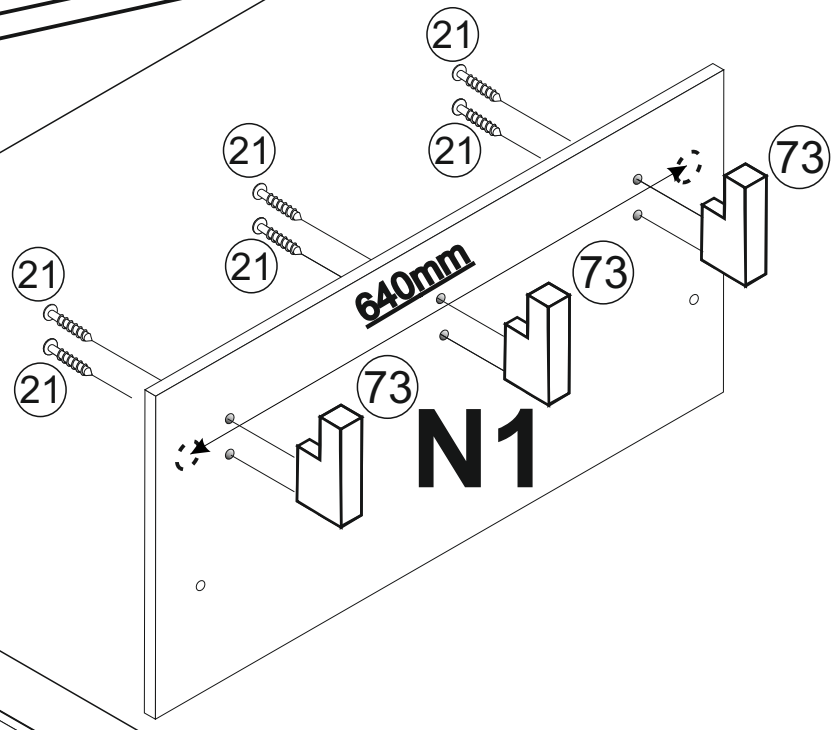


I



N1 780mm x 225mm

II



III

