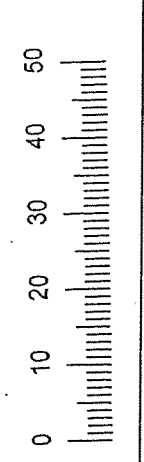


(D) Montageanleitung (GB) Assembly instructions (NL) Handleiding voor de montage (PL) Instrukcja montażu (HU) Szerelési útmutató (RO) Instrucțiuni de montaj
 (FR) Notice de montage (IT) Istruzioni di montaggio (CZ) Montážní návod (SK) Návod na montáž (TR) Montaj talimatı (RU) Инструкция по монтажу

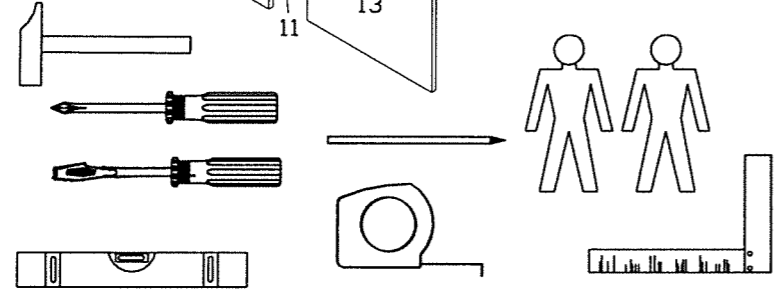
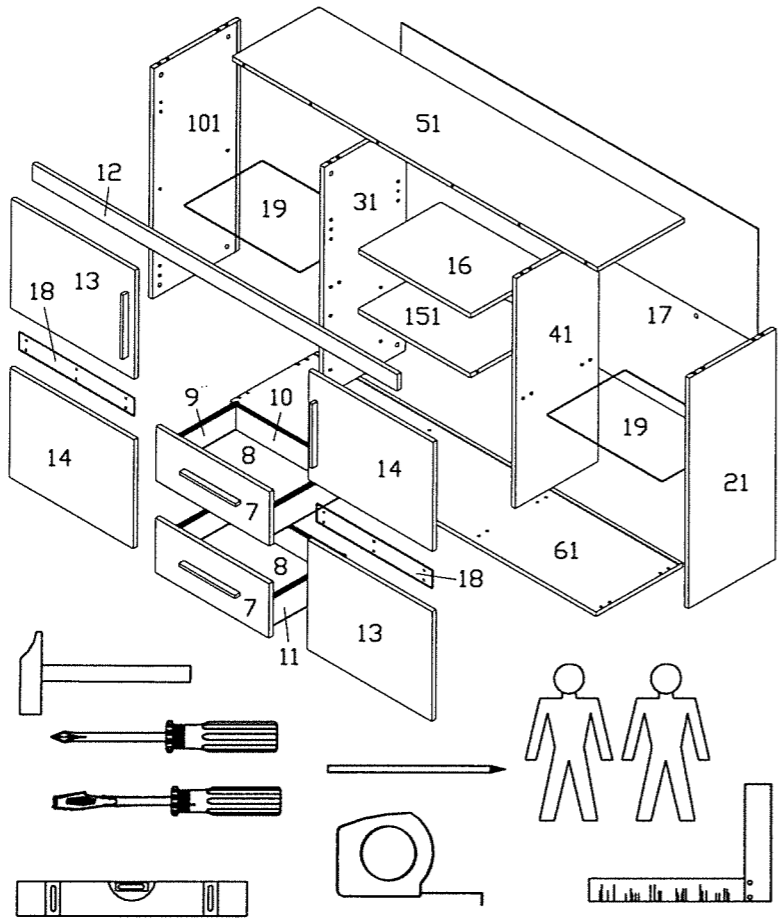


Service • Assistenza • Dienstverlening • Serwis
Servis • Szerviz • Сервисная служба

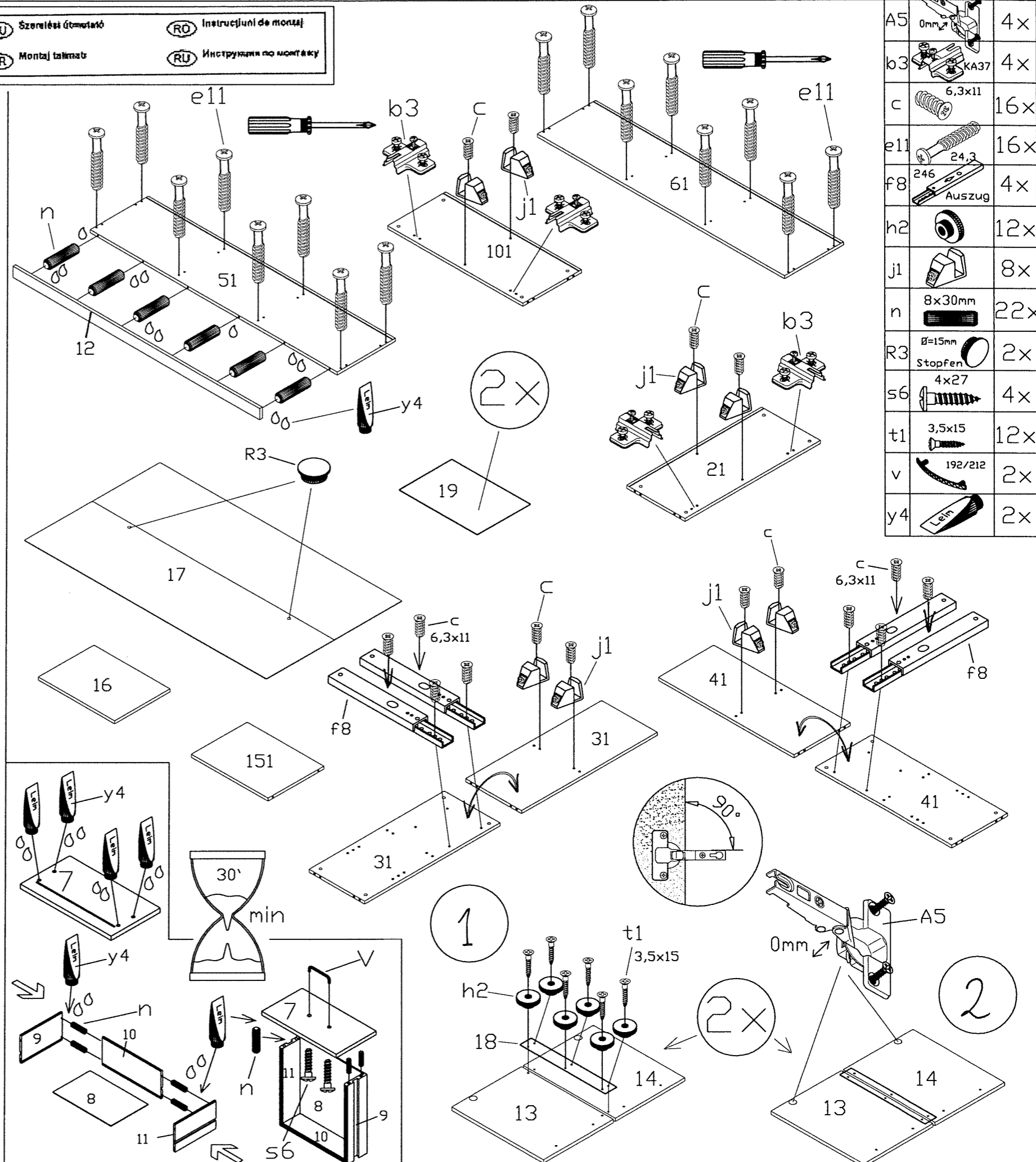
Blues

7.5337

- 101. ASL 766x330x15mm 1
- 21. ASR 766x330x15mm 1
- 31. MSL 766x315x15mm 1
- 41. MSR 766x315x15mm 1
- 51. BL 1400x330x15mm 1
- 61. BD 1400x330x15mm 1
- 7. SKV 436x180x15/16mm 2
- 8. SKB 408x278x3mm 2
- 9. SZL 282x97x12mm 2
- 10. SZH 397x97x12mm 2
- 11. SZR 282x97x12mm 2
- 12. BLE 1399x55x15/16mm 1
- 13. TBD 477x363x15/16mm 2
- 14. TBU 477x363x15/16mm 2
- 151. ZB 431x314x15mm 1
- 16. EB 431x314x15mm 1
- 17. RW 1381x778x3mm 1
- 18. GL 444x60x4mm 2
- 19. GBD 444x300x4mm 2



| | | | | | | | | | | | | | |
|-----|--------|-----|----|-------|---------|-----|-----|--------|---------|-----|---------|-------|-----|
| A5 | 0mm | 4x | f8 | 246 | Auszug | 4x | q10 | M4x9 | 4x | v | 192/212 | 4x | |
| b3 | KA37 | 4x | h2 | | | 12x | r | | 4x | x8 | Fuß | 58x40 | 8x |
| c | 6,3x11 | 16x | h4 | Ø=5mm | Stopfen | 4x | R3 | Ø=15mm | Stopfen | 2x | y4 | Leim | 2x |
| e11 | 24,3 | 16x | j1 | | | 8x | s6 | 4x27 | 8x | y14 | | | 8x |
| f1 | | 16x | l | | | 4x | t1 | 3,5x15 | 12x | z | | | 20x |



| | | |
|-----|------------|-----|
| A5 | 0mm | 4x |
| b3 | KA37 | 4x |
| c | 6,3x11 | 16x |
| e11 | 24,3 | 16x |
| f8 | 246 Auszug | 4x |
| h2 | Ø=5mm | 12x |
| j1 | | 8x |
| n | 8x30mm | 22x |
| R3 | Ø=15mm | 2x |
| s6 | 4x27 | 4x |
| t1 | 3,5x15 | 12x |
| v | 192/212 | 2x |
| y4 | Leim | 2x |

