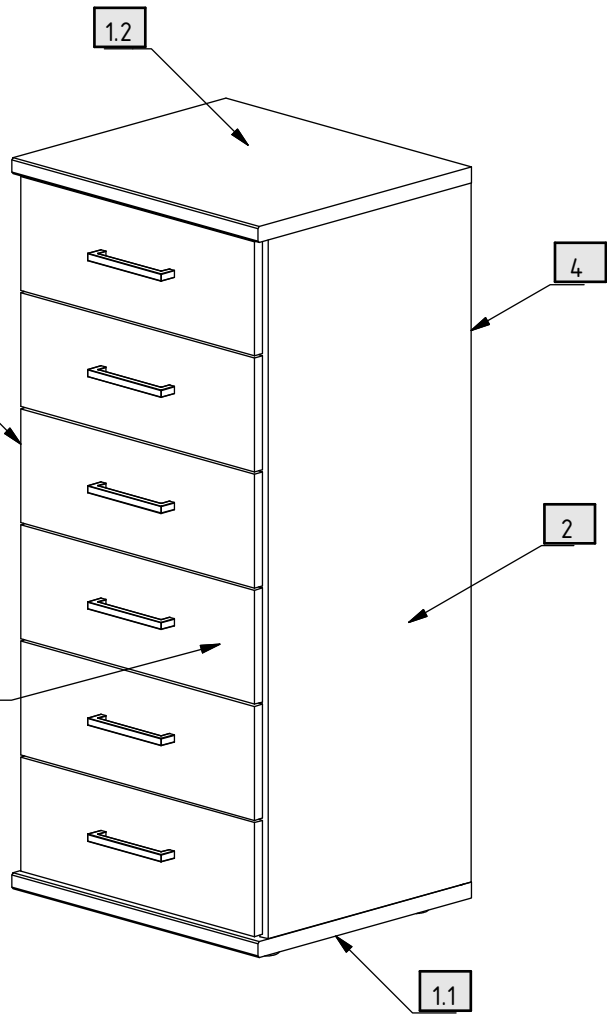
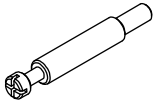


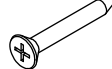
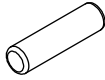
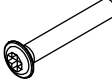
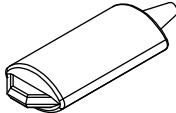

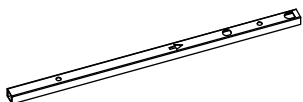
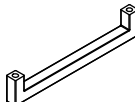


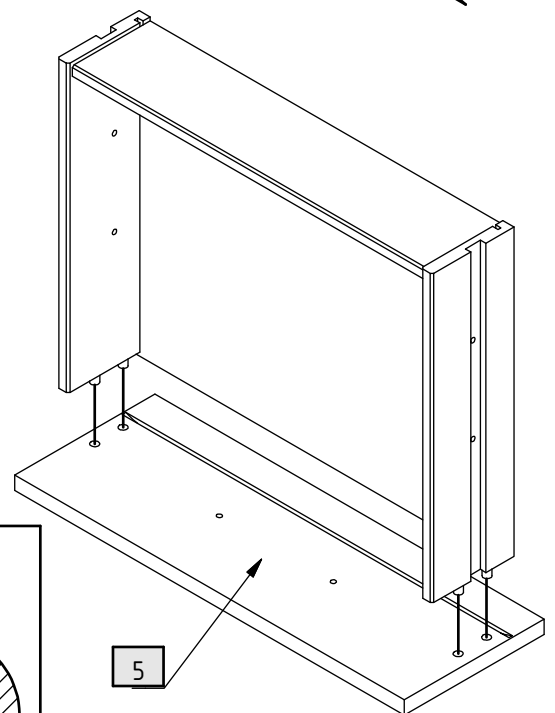
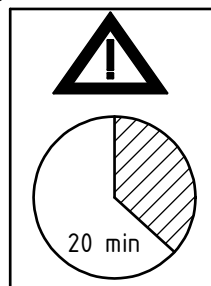
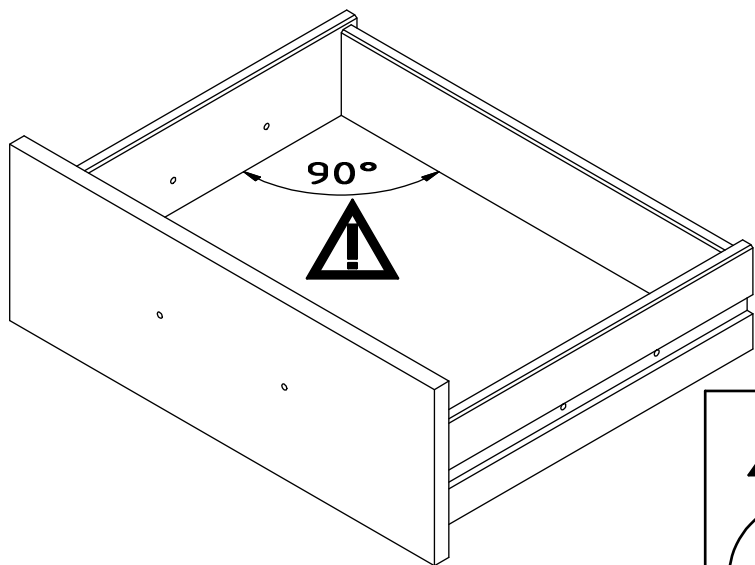
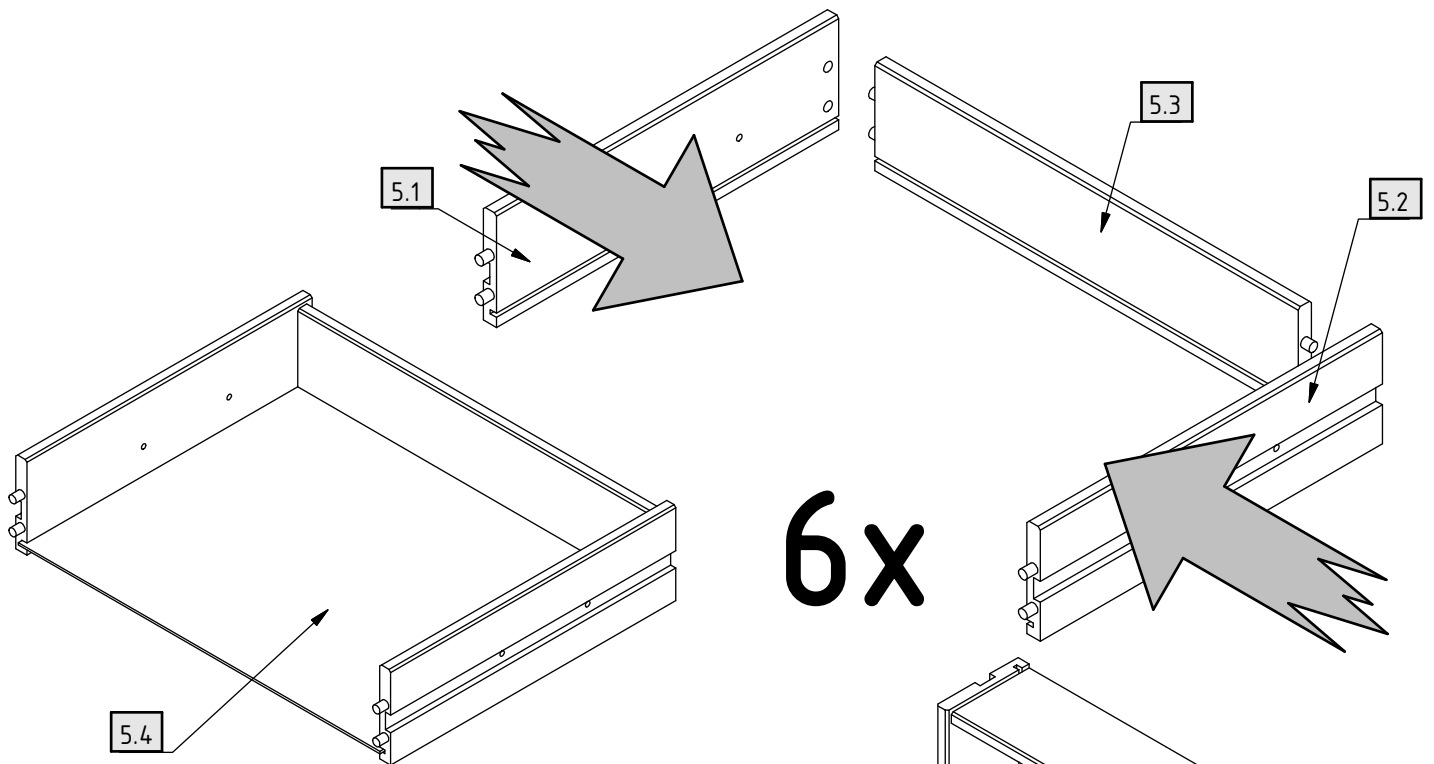
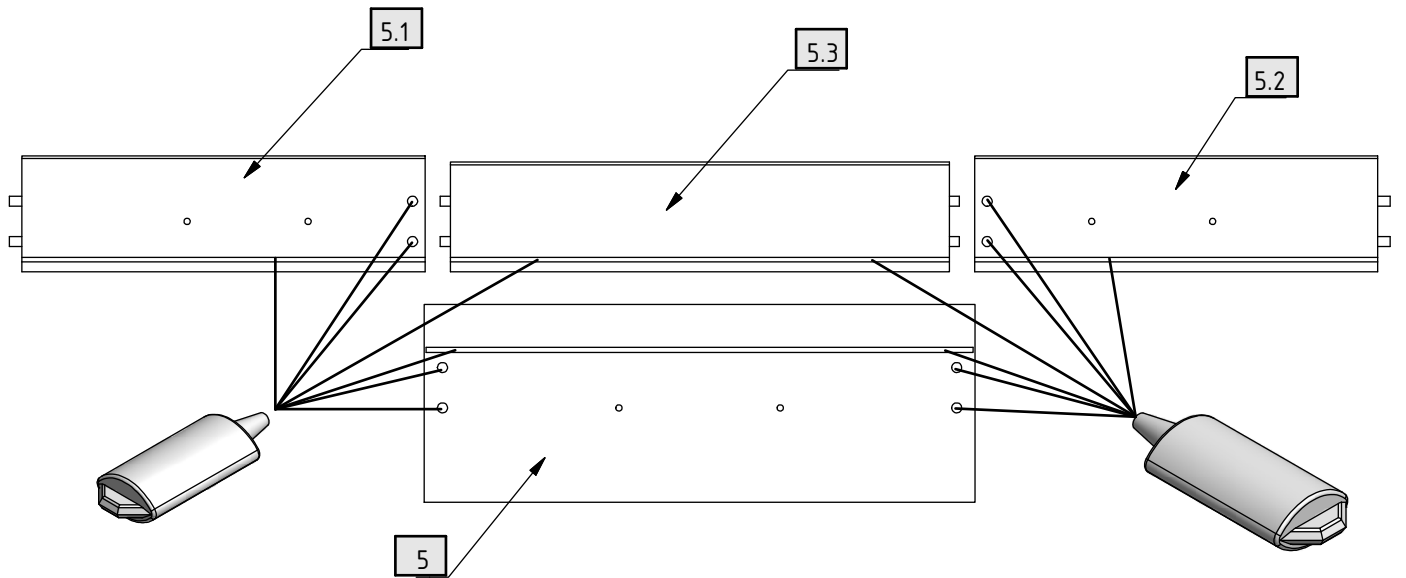
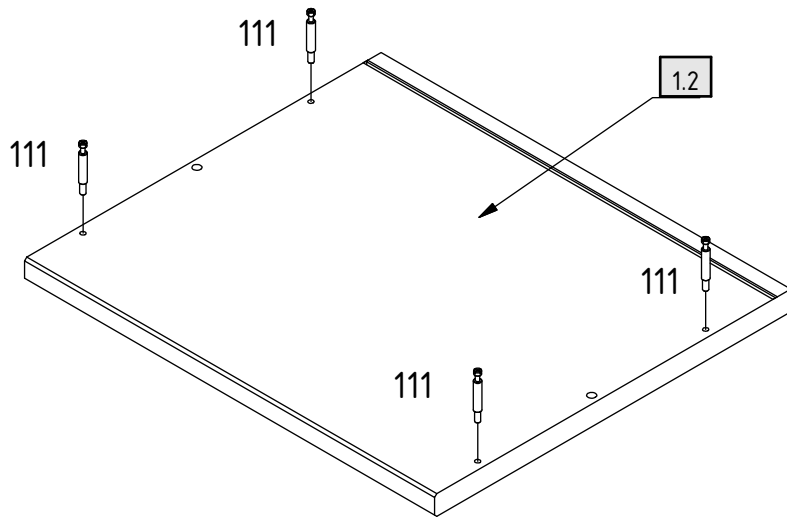


5 + 5.1 + 5.2 + 5.3 + 5.4  
6x

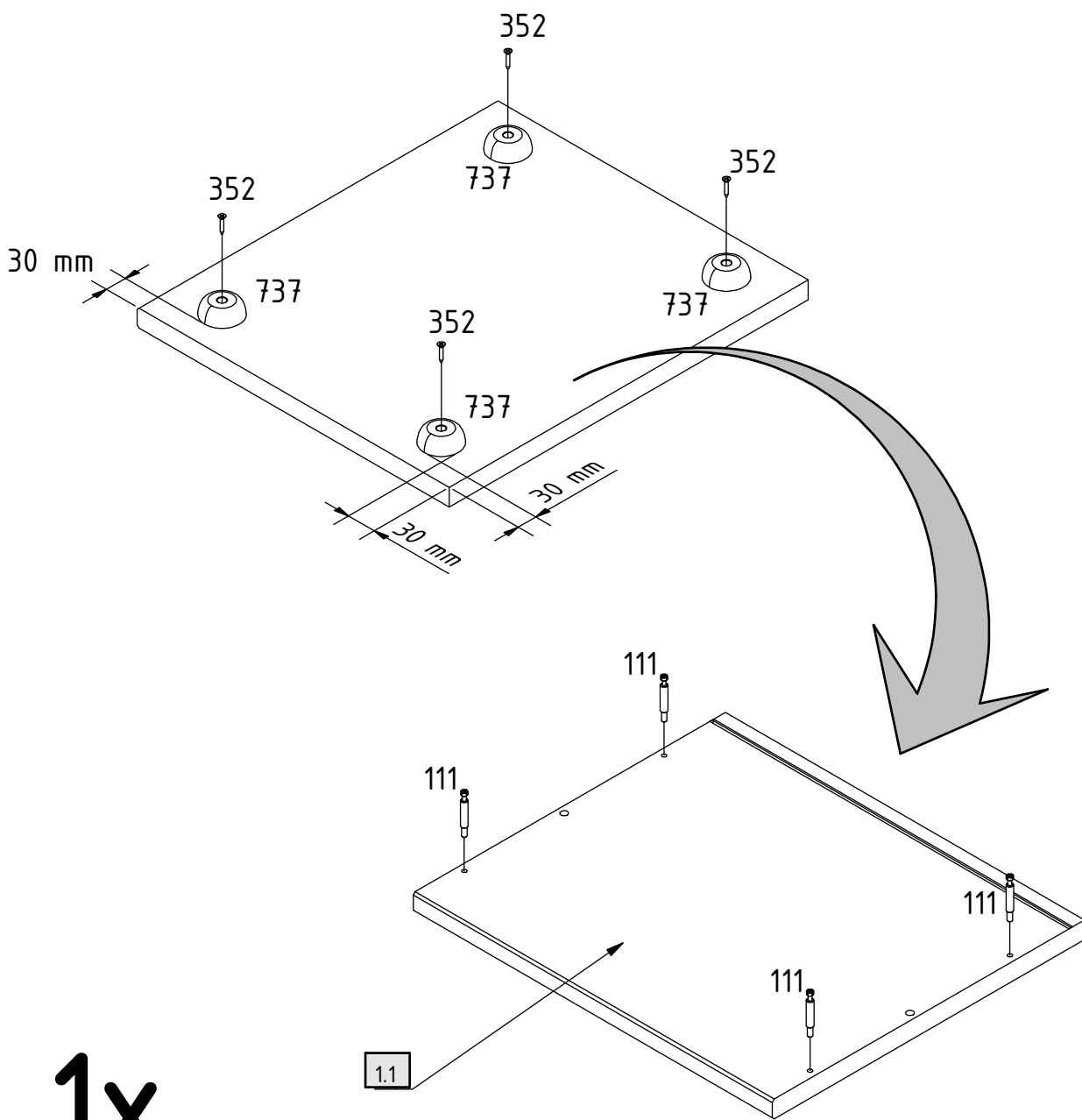


|     |    |   |     |    |  |
|-----|----|---|-----|----|--|
| 111 | 8  |                | 305 | 24 | <br>6 x 9 mm  |
| 120 | 8  |                | 352 | 4  | <br>4 x 20 mm |
| 190 | 4  | <br>Ø8 x 30 mm | 377 | 12 | <br>4 x 25 mm |
| 204 | 4  |                | 408 | 12 | <br>M4 x 9 mm |
| 215 | 12 |                | 503 | 6  |               |
| 220 | 4  |                | 737 | 4  |               |





1x



1x



ca. 90 mm

3

190

120

120

215

305

215

6x

215

215

305

215

215

120

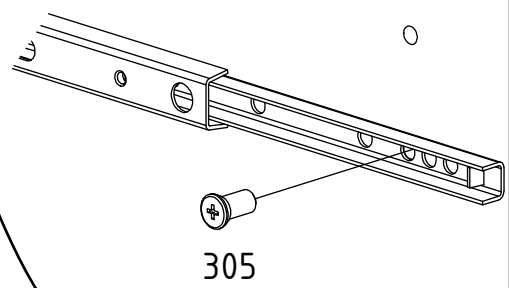
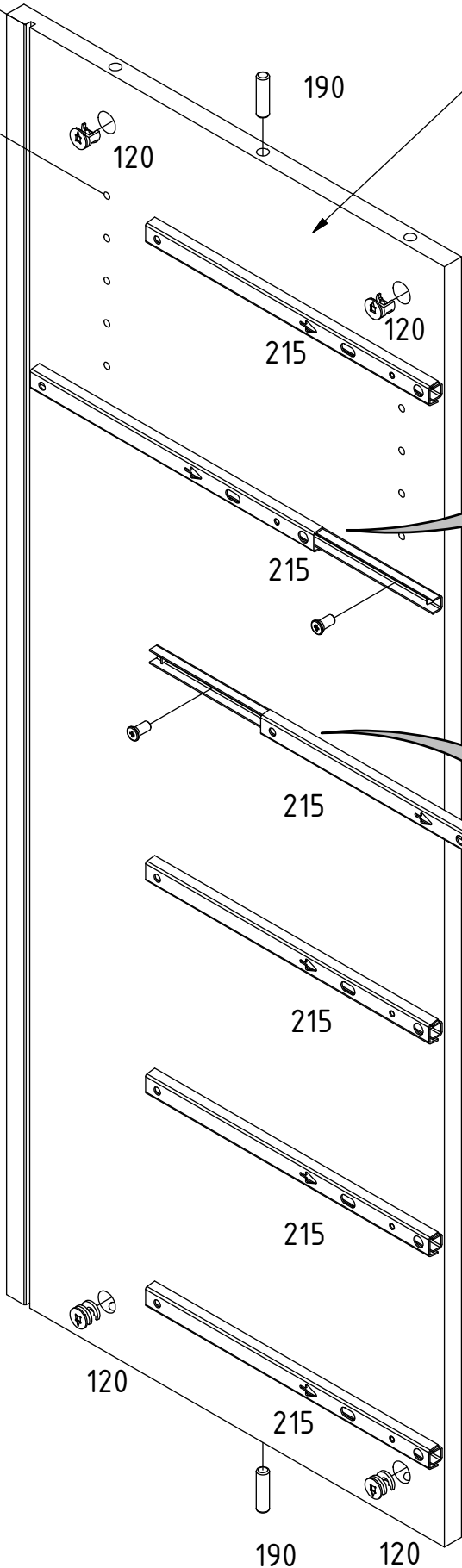
120

190

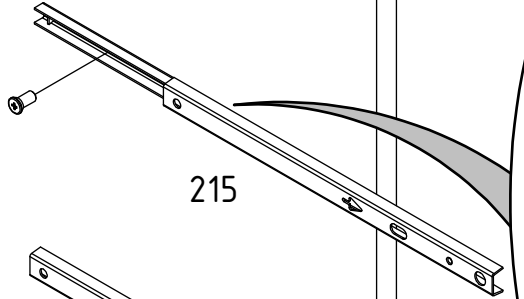


2

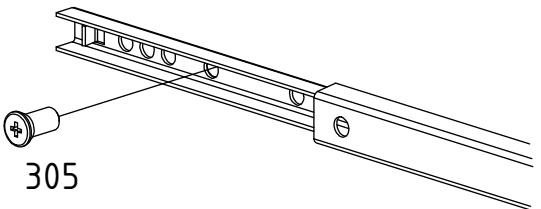
ca. 90 mm



305



215



305

215

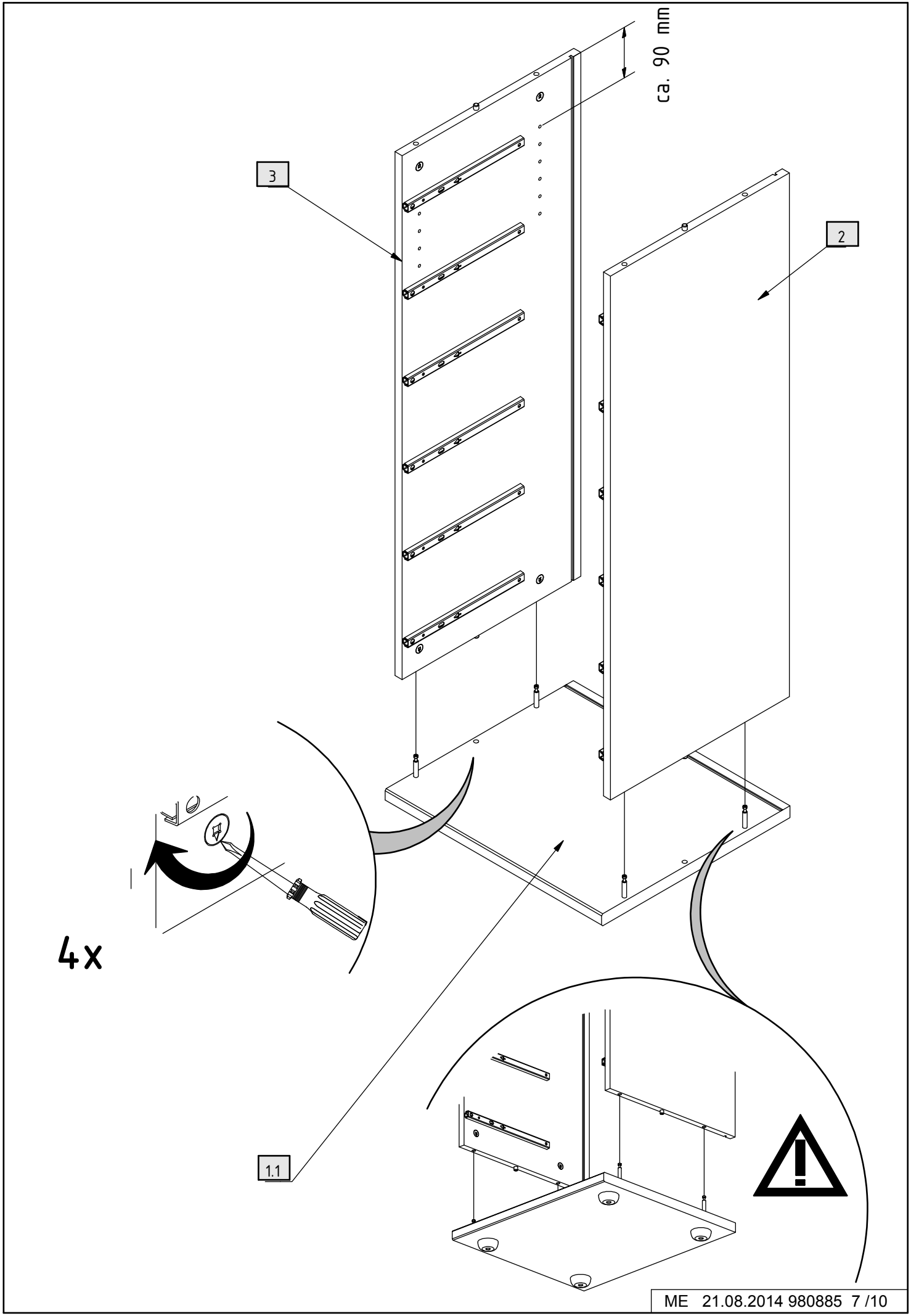
215

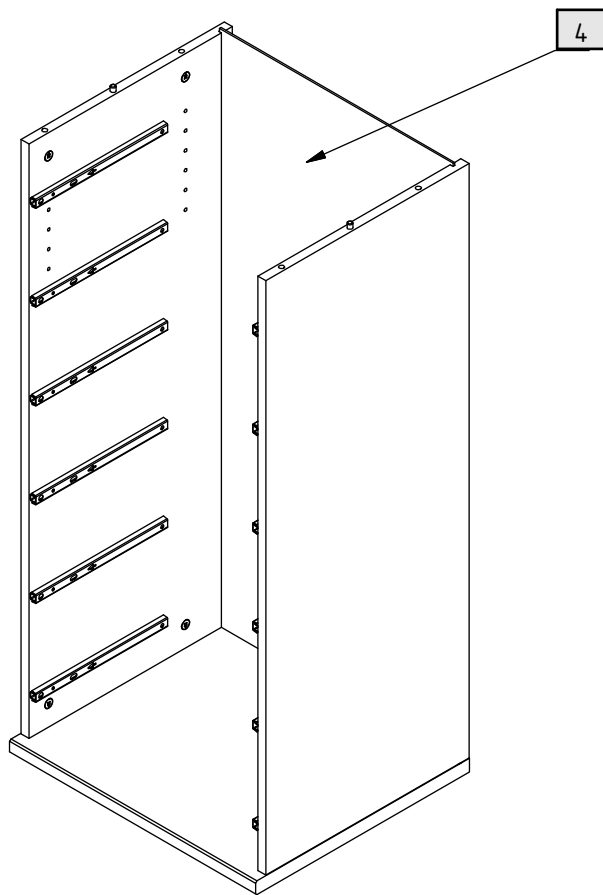
120

215

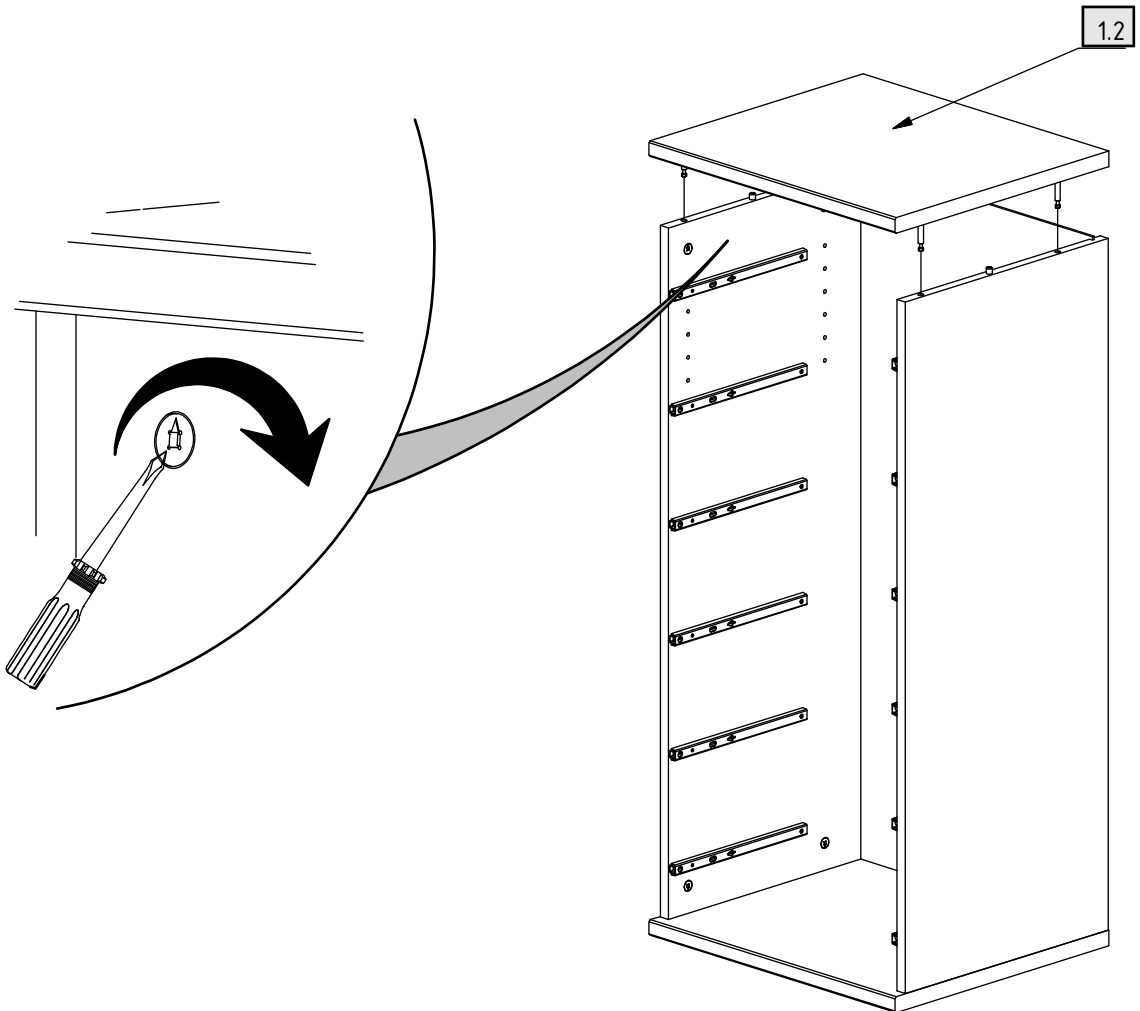
190

120

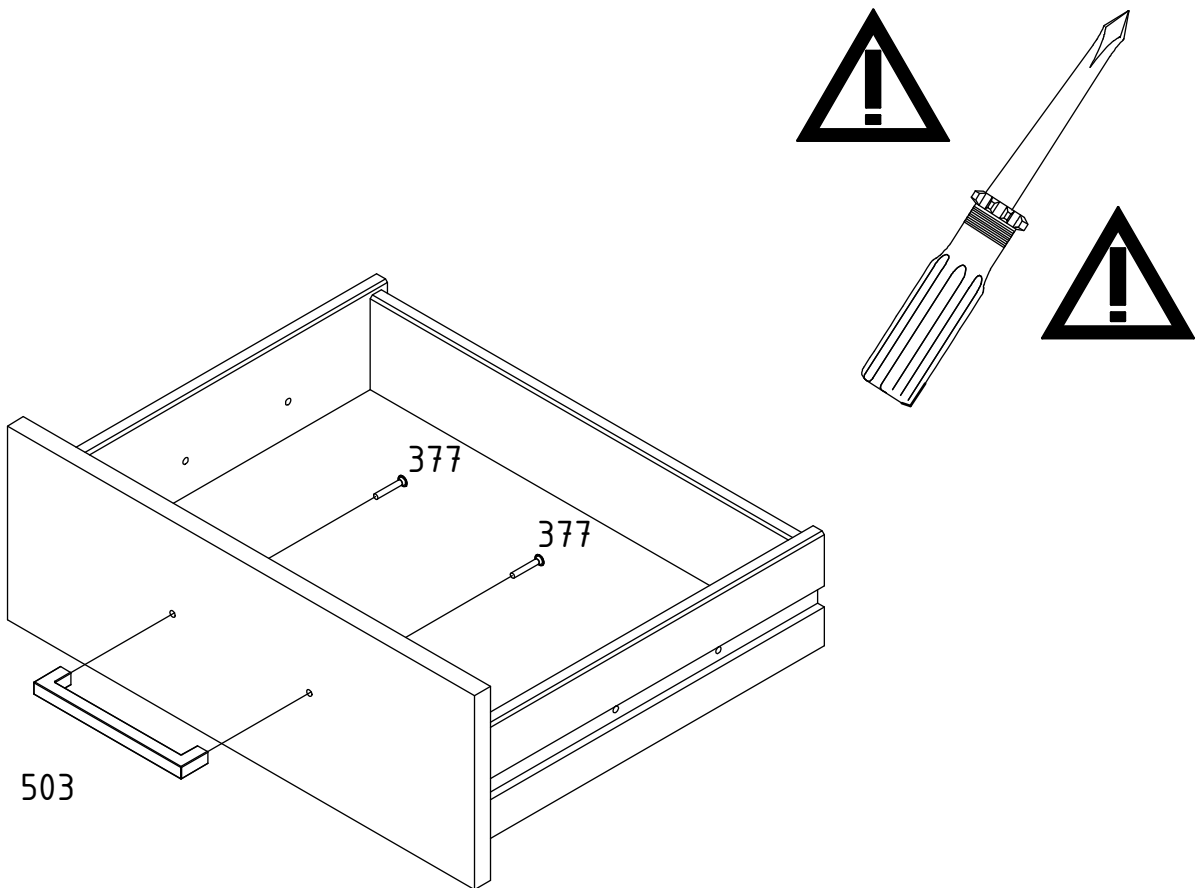
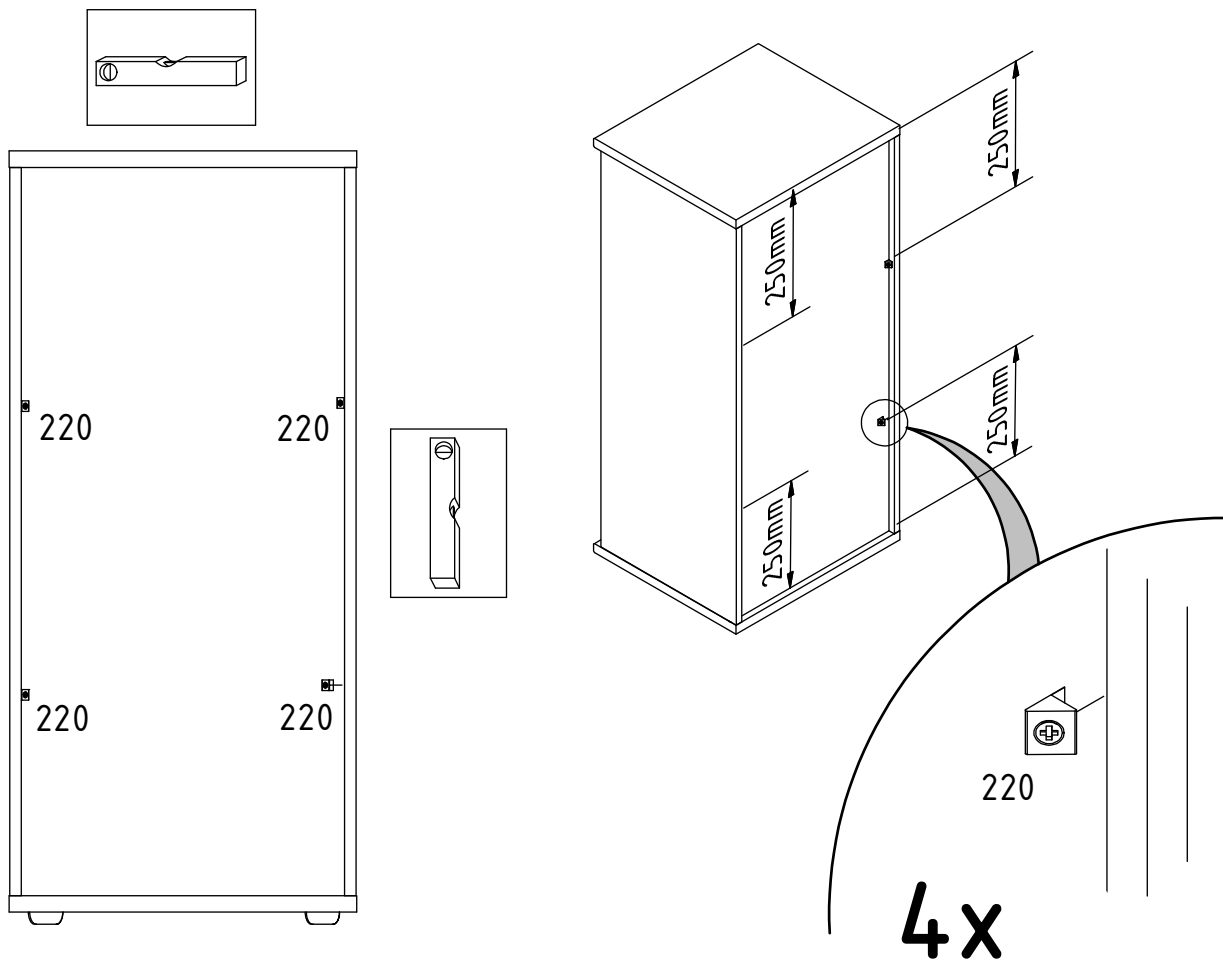


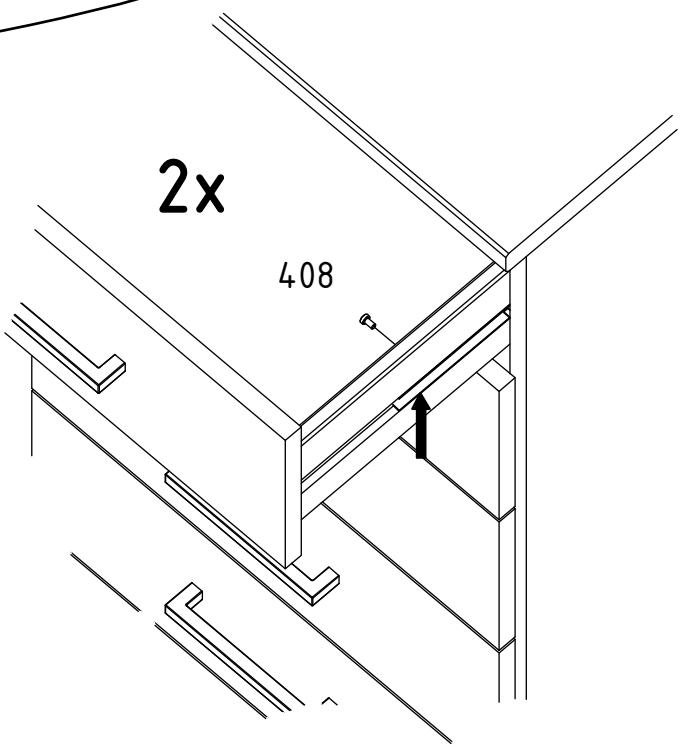
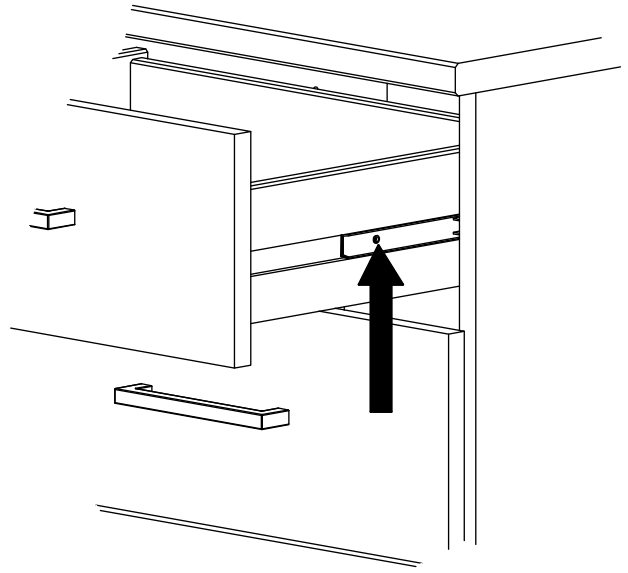
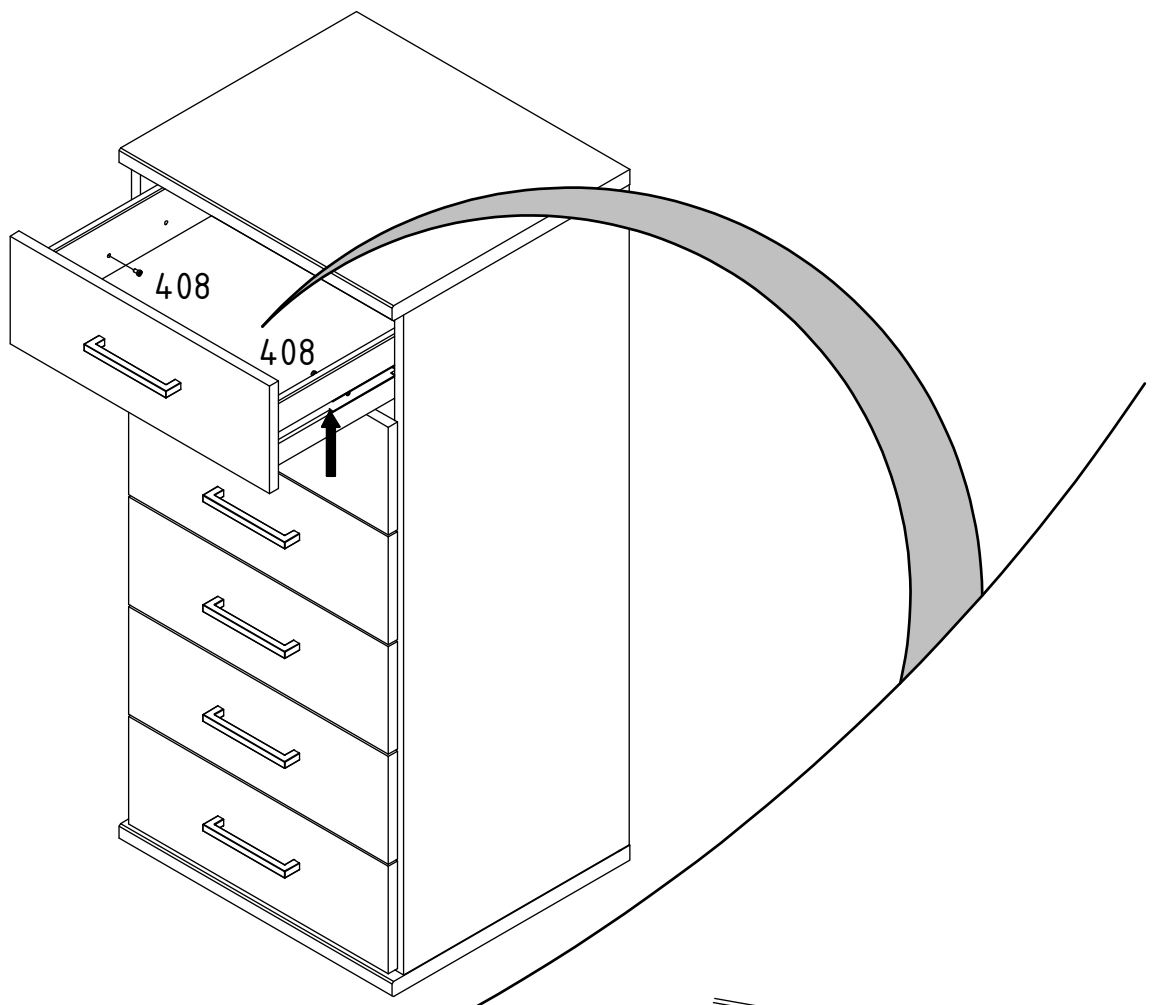


4x









6x