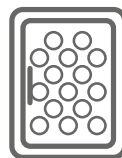


Amica

OPERATING INSTRUCTIONS
GEBRAUCHSANWEISUNG
NOTICE D'UTILISATION
GEBRUIKSAANWIJZING

EN
DE
FR
NL

**Wine cooler / Weinklimaschrank / Cave à vin /
Wijnkoeler**



WK 341 901 S



IO-RFW-0054
(07.2022)

EN- Table of contents

GUIDELINES CONCERNING THE SAFETY OF USE	7
INSTALLATION AND OPERATING CONDITIONS OF THE APPLIANCE	9
CLIMATE RANGE	10
PRACTICAL EVERYDAY TIPS	11
UNPACKING	12
DISPOSAL OF OLD APPLIANCE	13
CONTROLS	14
APPLIANCE CONTROLS- SINGLE AND DUAL ZONE	14
REVERSING DOOR	15
CARE AND CLEANING	16
REMOVING THE SHELVES	16
CLEANING	16
TROUBLESHOOTING	16
IF THE APPLIANCE IS NOT WORKING, CHECK	16
THE APPLIANCE IS WORKING, BUT NOT VERY WELL, CHECK	17
THE APPLIANCE IS NOISY, CHECK	17
THE LIGHT DOES NOT WORK, CHECK	17
THE DOOR WILL NOT CLOSE PROPERLY, CHECK	17
THE DISPLAY SHOWS "E1" OR "E2"	17
EPREL	17
WARRANTY AND AFTER SALES SERVICE	18
WARRANTY	18

DE- Inhaltsverzeichnis

SICHERHEITSHINWEISE	20
INBETRIEBNAHME UND BETRIEBSBEDINGUNGEN DES GERÄTES	23
KLIMAKLASSE	24
PRAKTISCHE RATSCHLÄGE	24
AUSPACKEN	26
ENTSORGUNG VON ALTGERÄTEN	27
STEUERUNGSKOMPONENTEN	28
STEUERUNGSKOMPONENTEN	28
ÄNDERUNG DER ÖFFNUNGRICHTUNG DER TÜR	29
REINIGUNG UND WARTUNG	30
HERAUSNEHMEN DER REGALE	30
REINIGUNG	30
PROBLEMLÖSUNG	30
WENN DAS GERÄT NICHT FUNKTIONIERT, PRÜFEN SIE:	30
WENN DAS GERÄT ZWAR FUNKTIONIERT, ABER NICHT GUT, PRÜFEN SIE:	31
WENN DAS GERÄT LÄRM MACHT, PRÜFEN SIE:	31
WENN DIE BELEUCHTUNG NICHT FUNKTIONIERT, PRÜFEN SIE:	31
WENN DIE TÜR NICHT RICHTIG SCHLIESST, PRÜFEN SIE:	31
WENN IN DER ANZEIGE „E1“ ODER „E2“ ERSCHEINT:	31
EPREL	31
GARANTIE, NACHVERKAUF-SERVICE	32
GARANTIE	32

FR- Table des matières

CONSIGNES DE SECURITÉ D'UTILISATION	34
INSTALLATION ET CONDITIONS DE FONCTIONNEMENT DE L'APPAREIL	37
CLASSE CLIMATIQUE	38
CONSEILS PRATIQUES	38
DÉBALLAGE	40
ÉLIMINATION DES APPAREILS USAGÉS	41
ÉLÉMENTS DE COMMANDE	42
ÉLÉMENTS DE COMMANDE	42
MODIFICATION DU SENS D'OUVERTURE DE LA PORTE	43
NETTOYAGE ET ENTRETIEN	44
RETRAIT DES CLAYETTES	44
NETTOYAGE	44
RÉSOLUTION DES PROBLÈMES	44
SI L'APPAREIL NE FONCTIONNE PAS, VÉRIFIER	44
SI L'APPAREIL FONCTIONNE, MAIS D'UNE MANIÈRE PAS TOUT À FAIT EFFICACE, VÉRIFIER	45
SI L'APPAREIL FAIT DU BRUIT, VÉRIFIER	45
SI L'ÉCLAIRAGE NE FONCTIONNE PAS, VÉRIFIER	45
SI LA PORTE N'EST PAS FERMÉE CORRECTEMENT, VÉRIFIER	45
SI L'AFFICHEUR AFFICHE « E1 » OU « E2 »	45
EPREL	45
GARANTIE, SERVICE APRÈS-VENTE	46
GARANTIE	46

NL- Inhoudsopgave

AANWIJZINGEN VOOR VEILIG GEBRUIK	48
INSTALLATIE EN WERKINGSVOORWAARDEN VAN HET APPARAAT	50
KLIMAATKLASSE	51
PRAKTISCHE TIPS	52
UITPAKKEN	53
VERWIJDERING VAN GEBRUIKTE APPARATUUR	54
BEDIENINGSELEMENTEN	55
BEDIENINGSELEMENTEN	55
OMDRAAIEN VAN DE DRAAIRICHTING VAN DE DEUR	56
REINIGING EN ONDERHOUD	57
UITNEMEN VAN DE SCHAPPEN	57
REINIGING	57
HET OPLOSSEN VAN PROBLEMEN	57
ALS HET APPARAAT NIET WERKT, CONTROLEERT U HET VOLGENDE:	57
ALS HET APPARAAT NIET GOED WERKT, CONTROLEERT U HET VOLGENDE:	58
ALS HET APPARAAT HERRIE MAAKT, CONTROLEERT U HET VOLGENDE:	58
ALS DE VERLICHTING NIET WERKT, CONTROLEERT U HET VOLGENDE:	58
ALS DE DEUR NIET GOED SLUIT, CONTROLEERT U HET VOLGENDE:	58
ALS OP DE DISPLAY "E1" OF "E2" BRANDT	58
EPREL	58
GARANTIE, SERVICE	59
GARANTIE	59

Dear customer,

From now on, your daily housework will be easier than ever before. Your appliance **Amica** is exceptionally easy to use and extremely efficient. After reading these Operating Instructions, operating the appliance will be easy.

Before being packaged and leaving the manufacturer, the appliance was thoroughly checked with regard to safety and functionality.

Before using the appliance, please carefully read these Operating Instructions. By following these instructions carefully you will be able to avoid any problems in using the appliance. It is important to keep these Operating Instructions and store them in a safe place so that they can be consulted at any time.

Follow these instructions carefully in order to avoid possible accidents.

Sincerely,

Amica

GUIDELINES CONCERNING THE SAFETY OF USE

- The appliance is intended for household use only.
- The manufacturer reserves the right to introduce changes which do not affect the operation of the appliance.
- The Manufacturer shall not be held liable for damage arising from the failure to observe the instructions contained in this manual.
- Keep this manual for future reference, or to pass it over to the next user.
- This appliance is not intended for use by persons (including children) with limited physical or mental capabilities and persons who lack experience or familiarity with the appliance.
- Do not allow children to use the appliance. Do not allow them to play with the appliance. They must not climb inside the drawers and swing on the doors.
- The appliance operates properly at the ambient temperature (see product fiche). Do not use it in the cellar, unheated summer cottage during autumn and winter.
- When placing, moving, lifting the appliance, do not hold the door handles, do not pull the condenser at the rear part of the refrigerator and do not touch the compressor unit.
- Pull the plug out from the mains socket before each maintenance activity. Do not pull on the cord, but hold the body of the plug instead.
- The "cracking" sound, which the appliance may emit is caused by the expansion and contraction of parts as a result of temperature variations.
- For safety reasons do not repair the appliance yourself. Repairs carried out by persons who do not have the required qualifications may result in serious danger for the user of the appliance.

- Make sure you do not damage the cooling system, by puncturing the refrigerant pipes in the evaporator or breaking the pipes. The refrigerant is flammable. If the refrigerant makes contact with the eyes, rinse them with clean water and call for medical assistance immediately.
- Important! If the power cord is damaged, it should be replaced by the manufacturer or specialist repair centre or a qualified person in order to avoid danger.
- When performing activities, such as cleaning, maintenance or moving, the appliance must be completely disconnected from power supply (by pulling the plug out from the socket)
- This appliance can be used by children aged 8 years and older or by persons with physical, mental or sensory handicaps, or by those who are inexperienced or unfamiliar with the appliance, provided they are supervised or have been instructed how to safely use the appliance and are familiar with risks associated with the use of the appliance. Ensure that children do not play with the appliance. Cleaning and maintenance of the appliance should not be performed by children unless they are 8 years or older and are supervised by a competent person.
- Do not clean the appliance with steam
- Keep the appliance and its power cord away from children under 8 years old.
- Do not immerse the power cord or plug in water.
- Keep cord away from heated surfaces.
- Do not allow the connection cord hanging over the edge of a table or counter.
- Do not use any electrical appliances inside the chamber
- Do not use any tools to speed up the defrosting process
- Regularly clean the ventilation openings (in case of built-in appliances or those installed under the worktop)

- This appliance is not designed to be controlled by electronic timers or other devices that cut off power directly or remotely.
- In case of accidental spillage of liquids on electrical components, immediately unplug your appliance from the power supply.
- Make sure that the power cord is not crushed or damaged during installation.
- Disable the appliance before disposing of it. Unplug the appliance from the power supply and cut off the power cord. To prevent children or animals from being trapped in the appliance, remove the doors, hinges and locks.
- Note: If the appliance does not have a freezer compartment (❄️❄️❄️), it is not suitable for freezing foodstuffs.
- Pursuant to Commission Regulation (EU) 2019/2019, the minimum availability period for spare parts necessary to repair the appliance is 7 or 10 years depending on the type and purpose of the spare part.
- The list of spare parts and the ordering procedure are available on the websites of the manufacturer, importer or an authorized representative.

INSTALLATION AND OPERATING CONDITIONS OF THE APPLIANCE

- Connect the appliance to the power supply 24 hours after unpacking and setting in the final location.
- Take the product out of the package, remove the scotch tape protecting the door and the equipment. Any remaining adhesive stains may be removed with a mild washing agent.
- Clean the interior surface of the cooler and the elements of the equipment with a washing agent dissolved in lukewarm water, then wipe it dry.
- Place the cooler on an even, flat and stable surface, in dry, aired and shaded room, far from the heat sources such as: oven, hob, central heating radiators, central heating pipes, hot water installation, etc.
- On the exterior surface of the product may be a protective foil, this foils should be removed.
- Make sure the appliance is placed in a horizontal position by screwing in the 2 adjustable front legs (fig. 1)

- Keep free space on the sides and rear of the appliance (see installation drawing)
- When you install your wine cooler inside a furniture cabinet, make sure that the ventilation grille located in the bottom of the appliance is not blocked.
- Odours may be released when you first start your appliance. It will dissipate when the interior of the appliance cools down
- When you first start your wine cooler, the compressor will run continuously until the desired temperature is reached inside the chamber
- When you unplug your appliance from the power supply, it is recommended to wait 5 minutes before you plug it back in. This will reduce the risk of damage to the compressor.
- On selected models, the correct temperature will be shown on the display only a few hours after the wine cooler has been put into operation
- This appliance should be connected to AC 220-240V 50Hz supply socket. The socket must be fitted properly, and must be supplied with an earthing conduit and a 10A fuse.
- It is a legal requirement that the appliance is properly earthed. The manufacturer will not be held liable for any damage or injury which may result from the failure to fulfil this requirement.
- Do not use adapters, multiple sockets and two-wire extension leads. If it is necessary to use the extension lead, it must be equipped with a protection ring and a single socket and must have a VDE/GS safety certificate.
- If an extension lead is used (with a protection ring and safety certificate), its socket must be located at a safe distance, away from the sinks, and must not be in a place where it could be flooded by water or waste water.
- Make sure the appliance can be easily disconnected from the mains, either by pulling the plug out of the mains socket, or by switching the two-pole switch off.

Climate range

The information about the climate range of the appliance is provided on the rated plate. It indicates at which ambient temperature (that is, room temperature, in which the appliance is working) the operation of the appliance is optimal (proper).

Climate class		Allowable ambient temperature
SN	Extended Temperate	This refrigeration appliance is intended for use at an ambient temperature ranging between 10°C and 32°C
N	Temperate	This refrigeration appliance is intended for use at an ambient temperature ranging between 16 °C and 32°C
ST	Subtropical	This refrigeration appliance is intended for use at an ambient temperature ranging between 16 °C and 38 °C
T	Tropical	This refrigeration appliance is intended for use at an ambient temperature ranging between 16 °C and 43 °C

PRACTICAL EVERYDAY TIPS

- If the light inside the appliance remains turned on, keep in mind that the temperature inside the appliance will be higher
- Temperature inside the appliance depends on the amount and type of stored wine bottles
- To ensure user safety and high quality of stored wine, do not install the appliance in damp rooms
- Store wine bottles in designated spaces
- Your wine cooler has a limited capacity. Do not place more bottles in your wine cooler than recommended in specification
- Do not open the wine cooler door if it is not necessary
- Do not cover the shelves with aluminium foil or other material. This blocks the air circulation inside the appliance
- To avoid damage to the door seal, make sure that the door is completely open before pulling out the shelf. The shelves should be inserted as far as possible, otherwise the shelf may deform and damage the door seal.
- Do not extend the loaded shelves beyond the extension limit (about 1/3 of the shelf length)
- This appliance is designed for storing bottles of wine. Do not use it for any other purpose.
- Temperature stability is very important when storing wine.
- Exposing your wine cooler to sunlight, significant temperature fluctuations, high humidity and vibrations may cause the wine to go bad.
- In periods of high humidity, condensed water vapour may appear on the outer surfaces of the glass door. To prevent this, install the appliance in a dry, adequately ventilated room.
- Selected models have an external handle. You need to install it on your own. Do not use electric tools for this purpose (fig. 3*). To do this, pull the door seal slightly to the side and place the screws on the inside of the door. Align the handle with the holes on the outside of the door and tighten the screws with a screwdriver. Reinstall the door seal.
- The maximum capacity of the appliance is given in the product sheet enclosed with the wine cooler. This capacity applies to standard 0.75 litre bottles of Bordeaux.
- Selected models have an Anti-tip kit. Install it according to the enclosed diagram (fig. 6*).
- This refrigeration appliance is intended for use as a built-in appliance.
- To achieve the most effective food preservation for the longest possible time and to avoid wasting any food, position the products as shown in Figure 12. In addition, this figure illustrates the layout of drawers, baskets and shelves, which allows the most efficient use of energy.
- Optimal temperature and storage conditions will extend product shelf life and optimize electricity consumption. Optimal storage temperature range should be stated on the food product packaging.

*According to the model

UNPACKING



During transportation, protective packaging was used to protect the appliance against any damage. After unpacking, please dispose of all elements of packaging in a way that will not cause damage to the environment.

All materials used for packaging the appliance are environmentally friendly; they are 100% recyclable and are marked with the appropriate symbol.

Important! Packaging materials (bags, polyethylene, polystyrene, etc.) should be kept away from children during unpacking.

DISPOSAL OF OLD APPLIANCE



In accordance with European Directive 2012/19/EU and local legislation regarding used electrical and electronic goods, this appliance is marked with the symbol of the crossed-out waste container. This marking indicates that the appliance must not be disposed of together with other household waste after it has been used.

The user is obliged to hand it over to waste collection centre collecting used electrical and electronic goods. The collectors, including local collection points, shops and local authority departments provide recycling schemes.





Proper handling of used electrical and electronic goods helps avoid environmental and health hazards resulting from the presence of dangerous components and the inappropriate storage and processing of such goods.

CONTROLS

Appliance controls- single and dual zone

The control panel is shown in figure 4. For reference it is also shown below:



-  – Power button
-  – Light button
-  – “+” button
-  – “-” button



Child lock button (combined button)

Lock: The button will be locked automatically after power-on or several seconds if no button is operated, or the button will be locked when the button is pressed for long.

To lock / unlock press both buttons at the same time for 5s.



Set the temperature unit °F or °C. (Combined button)

First unlock the control panel. Press both buttons at the same time, and then you can switch over between the Celsius degree and Fahrenheit degree for display. Each time the button is pressed, a switch over will be made.



Power on/off button:

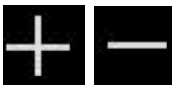
To turn off the appliance press this button for 5s, the display screen will indicate “oF” for 60s.

When the cooler is in the ready mode, touch any button to light the display screen and then press this power button for 5s, the cooler will back to normal work.



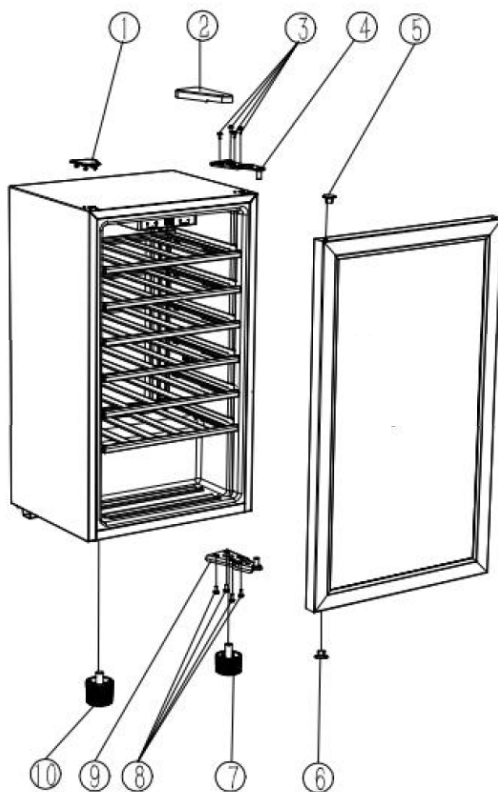
Lamp on/off button

Press the light button to switch the light on or off.



The buttons are used to change the temperature inside the chamber. Before starting, unlock the panel. The temperature range is 5-20°C

REVERSING DOOR



Wine cooler's door can opening from left to right. To reverse the opening direction:

1. Close the door
2. Take the door hinge hole caps(1), and also take off the door hinge cover(2) unscrew the flange the screws(3); Take off the door hinge(4)
3. Take off the door
4. Take off the casing cap(5), (6)
5. Take off the adjustable feet(7, 10), flange screws(8), bottom hinge(9), and high adjustable foot(10)
6. Install the high adjustable foot(10) on the left; Install the bottom hinge(9) with flange screws(8); Install the short adjustable foot(7)
7. Put the casing cap(5), (6) on the door;
8. Install the door;
9. Install the door hinge cover(4) with the flange screws(3); Put the door hinge cover(2) on the door hinge; Install the door hinge hole caps(1)

CARE AND CLEANING

Always disconnect the appliance from the mains electrical supply before any cleaning or maintenance.

Removing the shelves

- To remove a shelf from the wine cooler, first remove all bottles from the shelf, then pull the shelf forwards until the groove on either side of the shelf is level with the plastic peg on either side of the cabinet (as shown in fig 5). Then lift the shelf up and pull forwards.
- To replace the shelves, follow the steps above in reverse order.

Cleaning

- Do not use abrasive products or detergents. After washing, rinse and dry thoroughly.
- The exterior of the appliance and the door seal should be cleaned using mild soapy water and dried thoroughly.
- The interior cabinet should be cleaned using a solution of bicarbonate of soda and lukewarm water.
- Clean the shelves separately by hand using soap and water. Do not put them in the dishwasher.
- Ensure that the cloth is only moist when cleaning the control panel and electrical parts, and that all water is thoroughly dried off before reconnecting the power.
- Once cleaning is complete, reconnect the mains electrical supply.
- If the appliance is not to be used for prolonged periods of time, unplug and clean the appliance thoroughly. The door should be left slightly ajar to prevent the formation of odours or condensation

TROUBLESHOOTING

If you have any problems with your appliance, you should check the troubleshooting guide prior to calling Call Center to prevent unnecessary service calls and potential cost.

If the appliance is not working, check

- There is power to the appliance
- The house fuses or circuit breakers are intact and the fuse in the plug has not blown.
- The plug socket is functioning correctly. To check this, plug another electrical appliance in to see if the socket is working.
- The ambient temperature is between 16°C to 32°C.

The appliance is working, but not very well, check

- The appliance is not overloaded.
- The thermostat is set to an appropriate temperature.
- The door is closing properly.
- The door gasket is sealing properly
- There is enough ventilation at the side and rear walls.
- The ambient temperature is between 16°C to 32°C.

The appliance is noisy, check

- The appliance is level and stable.
- The cooling gas will make some noise, even when the compressor is not running.
- During operation, it is normal for the fan to run, even when the compressor is not running.

The light does not work, check

- There is power to the appliance.
- The house fuses or circuit breakers are intact and the fuse in the plug has not blown.
- The light button is not set to off.

Please note:

The LED lighting cannot be replaced without a service call

The door will not close properly, check

- The appliance is level and stable.
- If the door has been removed, it may not have been correctly refitted.
- The door seal is dirty.
- The shelves are not positioned correctly.

The display shows "E1" or "E2"

- The temperature sensor has failed. Please contact Call Center

EPREL

For more information about the product, please refer to the EU EPREL Product Database at <https://eprel.ec.europa.eu>. For more information, please use your mobile device to scan the QR code on the energy label or enter the product model listed on the energy label in the EPREL search engine <https://eprel.ec.europa.eu/>

WARRANTY AND AFTER SALES SERVICE

Warranty

Warranty service as stated on the warranty card. The manufacturer shall not be held liable for any damage caused by improper use of the product.

Service

- The manufacturer recommends that all repairs and adjustments be carried out by the Factory Service Technician or the Manufacturer's Authorized Service Point. For safety reasons, repairs should be referred to professionals.
- Repairs carried out by unqualified persons may seriously endanger the appliance user.
- The minimum warranty period for the appliance offered by the manufacturer, importer or authorized representative is given in the warranty card.
- The warranty shall be void if you make any independent adaptations or alterations, tamper with seals or other appliance safety devices or its parts or interfere with the appliance contrary to operating instructions.

In the event of appliance malfunction, request assistance or repair.

If your appliance needs repair, please contact the service centre. Please see warranty card for address and contact details of our service centre. Before contacting us, please have ready the appliance serial number, which can be found on the identification sticker: For your convenience, please write it down below:

--	--	--	--	--	--	--	--	--	--	--	--	--	--	--	--	--	--	--	--	--

Manufacturer's Declaration

The manufacturer hereby declares that this product meets the requirements of the following European directives:

- **Low Voltage Directive 2014/35/EC**
- **Electromagnetic Compatibility (EMC) Directive 2014/30/EC**
- **ErP Directive 2009/125/EC**
- **Directive RoHS 2011/65/EC**

and has thus been marked with the  and  symbol and been issued with a declaration of compliance made available to market regulators.

Sehr geehrter Kunde,

Von heute an werden Ihre alltäglichen Pflichten einfacher denn je. Dieses Gerät **Amica** ist eine Verbindung einer außergewöhnlich leichten Bedienung und einer perfekten Effizienz. Nachdem Sie diese Bedienungsanleitung gelesen haben, ist die Bedienung des Gerätes kein Problem mehr.

Bevor das Gerät das Herstellerwerk verlassen konnte, wurde er vor dem Verpacken gründlich auf deren Sicherheit und Funktionalitäten an Prüfständen überprüft.

Bevor das Gerät in Betrieb genommen wird, lesen Sie bitte die Bedienungsanleitung aufmerksam durch. Befolgen Sie die darin stehenden Hinweise, vermeiden Sie verschiedene Bedienfehler. Diese Bedienungsanleitung ist zu erhalten und so aufzubewahren, dass sie jederzeit bei der Hand ist.

Zur Vermeidung möglicher Unfälle befolgen Sie die in der Bedienungsanleitung stehenden Hinweise genau.


Mit freundlichen Grüßen

Amica

SICHERHEITSHINWEISE

- Das Gerät ist ausschließlich für den Einsatz im Haushalt bestimmt.
- Der Hersteller behält sich das Recht vor, Änderungen vorzunehmen, die Gerätefunktion nicht beeinträchtigen.
- Der Hersteller haftet nicht für die Schäden, die Folge der Nichteinhaltung in der vorliegenden Gebrauchsanweisung angeführten Prinzipien sind.
- Bewahren Sie diese Gebrauchsanweisung auf, um sie in Zukunft auszunutzen oder einem eventuellen Nachbesitzer übergeben zu können.
- Das Gerät darf nicht durch Personen (darunter auch Kinder) mit eingeschränkten körperlichen, sinnlichen oder psychischen Fähigkeiten sowie durch unerfahrene sowie solche Personen, die das Gerät nicht kennen, bedient werden, es sei denn, es geschieht unter Aufsicht oder gemäß der Anweisungen der für ihre Sicherheit verantwortlichen Personen.
- Erlauben Sie nicht den Kindern das Gerät ohne Aufsicht zu bedienen. Erlauben Sie den Kinder nicht mit dem Gerät zu spielen. Lassen Sie die Kinder nicht sich auf die aufschiebbaren Bestandteile des Kühlschranks zu setzen oder auf der Kühlschranktür zu hängen.
- Das Gerät arbeitet ordnungsgemäß bei einer Raumtemperatur, die in der Tabelle mit der technischen Spezifikation angegeben ist. Das Gerät ist nur für den Gebrauch in Innenräumen geeignet, allerdings nicht in unbeheizten Kellerräumen, Hausfluren oder Sommerhäusern.
- Zum Aufstellen und Verschieben des Gerätes dürfen nie die Türgriffe, die Kondensatorröhrchen oder die Kompressoreinheit benutzt werden.
- Vor jeder Wartungsarbeit ist der Netzstecker aus der Steckdose zu entfernen. (Nicht am Kabel, sondern immer am Netzstecker ziehen).

- Knackende Geräusche sind eine Folge der Materialausdehnung bzw. -zusammenziehung einzelner Bauelemente, die durch Temperaturschwankungen des Kühlmittels hervorgerufen werden.
- Aus Sicherheitsgründen ist das Gerät niemals selbständig zu reparieren, sondern nur durch Mitarbeiter einer autorisierten Fachwerkstatt. Nur so bleibt die vom Hersteller gewährte Garantie erhalten.
- Das Kühlsystem niemals beschädigen. Das Kältemittel ist leicht entflammbar. Bei Kontakt mit den Augen sofort gründlich mit Wasser spülen und einen Arzt konsultieren.
- Hinweis! Sollte das nicht trennbare Netzanschlusskabel beschädigt werden, sollte dieses beim Hersteller oder in einer Fachwerkstatt durch eine qualifizierte Person zur Vermeidung der Gefahr neu besorgt werden.
- Das Gerät ist für die Dauer solcher Handlungen wie Reinigung, Wartung oder Änderung des Aufstellungsstandortes von der Stromversorgung ganz (durch Ziehen des Netzsteckers aus der Steckdose) zu trennen.
- Das Gerät kann von Kindern ab 8 Jahren und Personen mit eingeschränkten physischen, sensorischen oder geistigen Fähigkeiten oder mit mangelnder Erfahrung und Unkenntnis verwendet werden, wenn sie in die sichere Verwendung des Geräts eingewiesen wurden und sie die mit ihm verbundenen Gefahren verstanden haben. Kinder dürfen nicht mit dem Gerät spielen. Die Reinigung und Wartung des Gerätes dürfen von Kindern nicht erfolgen, es sei denn, dass sie das 8. Lebensjahr vollendet haben und von einer zuständigen Person beaufsichtigt wurden.
- Reinigen Sie das Gerät nicht mit Dampf.
- Halten Sie das Gerät und das Netzkabel von Kindern unter acht Jahren fern.
- Vermeiden Sie Situationen, in denen das Netzkabel oder der Stecker mit Wasser in Berührung kommen.

- Vermeiden Sie den Kontakt des Netzkabels mit Wärmequellen.
- Vermeiden Sie, dass das Netzkabel am Tisch oder Arbeitsblatt herunterhängt.
- Benutzen Sie keine elektrischen Geräte im Inneren des Schrankes.
- Benutzen Sie kein Werkzeug, um das Abtauen zu beschleunigen.
- Reinigen Sie regelmäßig die Lüftungsöffnungen des Geräts (bei Einbau- oder Unterbaugeräten).
- Das Gerät ist nicht für die Steuerung mit elektronischen Zeitschaltuhren oder anderen Geräten für die Direkt- oder Fernabschaltung der Stromversorgung konzipiert.
- Im Fall des versehentlichen Verschüttens von Flüssigkeiten auf die elektrischen Teile, das Gerät sofort von der Stromversorgung trennen.
- Vergewissern Sie sich, dass das Netzkabel bei der Montage nicht geknickt oder beschädigt wurde.
- Bevor das Gerät entsorgt wird, muss es unbrauchbar gemacht werden. Dazu muss es von der Stromversorgung getrennt und das Netzkabel abgeschnitten werden. Damit keine Kinder oder Tiere im Gerät eingeschlossen werden können, nehmen Sie Tür, Scharniere und Schlösser ab.
- Hinweis: Wenn das Gerät kein Gefrierfach  besitzt, bedeutet das, dass der Kühlschrank nicht zum Einfrieren von Lebensmitteln geeignet ist.
- Der Mindestzeitraum, für den zur Reparatur des Geräts erforderlichen Ersatzteile erhältlich sind, beträgt je nach Art und Zweck des Ersatzteils 7 oder 10 Jahre und entspricht der Verordnung (EU) 2019/2019 der Kommission.
- Die Ersatzteilliste und das Bestellverfahren finden Sie auf den Websites des Herstellers, des Einführers und des Vertragshändlers.

INBETRIEBNAHME UND BETRIEBSBEDINGUNGEN DES GERÄTES

- Schließen Sie das Gerät erst 24 Stunden nachdem Sie es ausgepackt und an seinem Standort aufgestellt haben, an den Netzstrom an.
- Das Gerät auspacken. Klebebänder entfernen. Eventuell verbliebene Kleberreste können mit einem milden Reinigungsmittel beseitigt werden.
- Das Innere des Gerätes und seine Ausstattungselemente mit lauwarmem Wasser unter Zusatz eines Geschirrspülmittels abwaschen und trocknen lassen.
- Das Gerät auf einem ebenen, horizontalen und stabilen Grund in einem trockenen und belüftbaren Raum aufstellen. Nicht direkter Sonnenbestrahlung aussetzen. Nicht in der Nähe von Wärmequellen wie Herde Heizkörper, Zentralheizung oder Heisswasser-Anlagen aufstellen.
- Entfernen Sie vor Inbetriebnahme des Geräts die Schutzfolie.
- Das Gerät sollte möglichst eben aufgestellt werden – Unterschiede können dank der höhenverstellbaren Füße ausgeglichen werden (Abb. 1).
- Sorgen Sie für Freiraum neben und hinter dem Gerät (siehe Montagezeichnung).
- Vergewissern Sie sich, dass durch den Einbau des Geräts nicht die Lüftungsgitter unten am Kühlschrank blockiert werden.
- Nach der ersten Inbetriebnahme des Geräts kann ein spezifischer Geruch entstehen. Der Geruch verschwindet, wenn das Innere des Geräts gekühlt wird.
- Bei der ersten Inbetriebnahme läuft der Kompressor zunächst ununterbrochen, bis die gewünschte Temperatur im Kühlschrank erreicht ist.
- Falls Sie die Stromversorgung des Geräts trennen, warten Sie mind. 5 Minuten, bevor Sie es wieder anschließen. Dadurch vermeiden Sie eine Beschädigung des Kompressors.
- Bei bestimmten Modellen wird die richtige Temperatur erst mehrere Stunden nach der Inbetriebnahme des Kühlschranks angezeigt.
- Das Gerät ist an eine 230V / 50 Hz Wechselstromleitung über eine vorschriftsmäßig installierte, geerdete und durch eine 10A –Sicherung geschützte Steckdose anzuschließen.
- Das Gerät erfüllt die VDE – Norm. Der Hersteller lehnt jede Haftung für eventuell entstandene Schäden ab, deren Ursachen auf das Nichtbefolgen dieser Vorschrift zurückzuführen sind.
- Keine Adapter, Mehrfachstecker oder zweiadrige Verlängerungskabel ohne Nullleiter verwenden. Sollte ein Verlängerungskabel nötig sein, muss es der VDE/GS – Norm entsprechen.
- Verlängerungsschnur verwendet wird, muss sich die Steckdose in einem sicheren Abstand zu Amaturen mit fließendem Wasser befinden.
- Das Gerät muss problemlos vom Stromnetz zu trennen sein, indem man den Stecker herauszieht oder den zweipoligen Schalter betätigt.

KLIMAKLASSE

Die Information über die Klimaklasse des Gerätes befindet sich auf dem Typenschild. Sie zeigt, in welcher Umgebungstemperatur (d.h. Temperatur des Raumes, in dem das Gerät betrieben wird) das Gerät optimal funktioniert.

Klimaklasse		Zulässige Umgebungstemperatur
SN	subnormal	Das Kühlgerät ist für Umgebungstemperaturen von 10 °C bis 32 °C geeignet.
N	normal	Das Kühlgerät ist für Umgebungstemperaturen von 16 °C bis 32 °C geeignet.
ST	subtropisch	Das Kühlgerät ist für Umgebungstemperaturen von 16 °C bis 38 °C geeignet.
T	tropisch	Das Kühlgerät ist für Umgebungstemperaturen von 16 °C bis 43 °C geeignet.

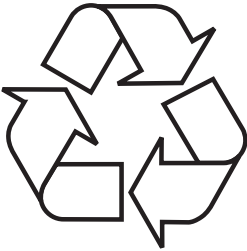
PRAKTISCHE RATSCHLÄGE

- Wenn das Licht im Gerät eingeschaltet bleibt, denken Sie daran, dass die Temperatur im Gerät dadurch ansteigt.
- Die Temperatur im Kühlschrank ist von der Menge und der Art der gelagerten Weinflaschen abhängig.
- Um die Gebrauchssicherheit und eine hohe Qualität des gelagerten Weins zu gewährleisten, stellen Sie das Gerät nicht in feuchten Räumen auf.
- Lagern Sie die Weinflaschen an den dafür vorgesehenen Stellen.
- Der Kühlschrank hat eine begrenzte Kapazität, lagern Sie nicht mehr Flaschen als angegeben (siehe Produktdatenblatt).
- Öffnen Sie die Tür des Kühlschranks nicht unnötig.
- Decken Sie die Regale nicht mit Alufolie oder einem anderen Material ab. Dadurch würde die Luftzirkulation im Gerät blockiert.
- Damit die Türdichtung nicht beschädigt wird, vergewissern Sie sich, dass die Tür vollständig geöffnet ist, bevor Sie ein Regal herausziehen. Die Regale müssen bis zum Anschlag in den Kühlschrank geschoben werden, da sie sonst die Dichtung verformen und dadurch vollkommen beschädigen können.
- Ziehen Sie die beladenen Regale nicht weiter als bis zu Ausziehgrenze heraus (etwa 1/3 der Regallänge).
- Das Gerät ist für die Lagerung von Weinflaschen bestimmt, verwenden Sie es nicht für andere Zwecke.
- Die Temperaturbeständigkeit ist sehr wichtig bei der Weinlagerung.
- Wird das Gerät Sonneneinstrahlung, starken Temperaturschwankungen, hoher Feuchtigkeit oder Vibrationen ausgesetzt, kann das dazu führen, dass der Wein nicht mehr genießbar ist.
- Bei hoher Luftfeuchtigkeit kann sich auf den Außenflächen der Glasstür Kondensationswasser bilden. Um das zu verhindern, sollte das Gerät in einem trockenen, ausreichend gelüfteten Raum aufgestellt werden.

- Bestimmte Modelle haben einen Außengriff, diesen müssen Sie selber anschrauben. Benutzen Sie dazu kein Elektrowerkzeug (Abb. 3). Ziehen Sie dafür die Türdichtung etwas zur Seite und setzen Sie die Schrauben innen an die Tür. Richten Sie den Griff an den Löchern außen an der Tür aus und ziehen Sie die Schrauben mit einem Kreuzschlitzschraubenzieher fest. Befestigen Sie die Türdichtung wieder.
- Die maximale Kapazität des Geräts ist im beiliegenden Produktdatenblatt angegeben. Diese Kapazität bezieht sich auf Standardflaschen vom Typ Bordeaux 0,75 l.
- Bestimmte Modelle verfügen über einen Kippschutz. Bringen Sie den Kippschutz gemäß dem Diagramm an (Abb. 6*).
- Dieser Kühlgerät ist für den Einbau bestimmt.
- Damit sich die Lebensmittel so gut und so lange wie möglich halten und nicht verderben, sollten sie wie in Abb. 12 gezeigt im Kühlschrank untergebracht werden. Die Abbildung zeigt außerdem die beste Anordnung der Schubladen, Körbe und Fachböden im Hinblick auf einen möglichst effektiven Energieverbrauch des Geräts.
- Durch die Aufbewahrung der Lebensmittel bei geeigneten Bedingungen und Temperaturen halten sich die Lebensmittel länger, und der Stromverbrauch wird optimiert. Auf den Verpackungen oder Etiketten der Lebensmittel ist normalerweise angegeben, bei welchen Temperaturen sie aufbewahrt werden sollten.

* Modell abhängig

AUSPACKEN



Das Gerät wird gegen Transportschäden geschützt. Nach dem Auspacken sind die Verpackungsmaterialien so zu entsorgen, dass dadurch kein Risiko für die Umwelt entsteht. Alle Materialien, die zur Verpackung verwendet werden, sind umweltverträglich, können hundertprozentig wiederverwertet werden und sind mit entsprechendem Symbol gekennzeichnet.

Hinweis! Die Verpackungsmaterialien (Polyethylenbeutel, Styroporstücke usw.) sind beim Auspacken außer Kinderreichweite zu halten.

ENTSORGUNG VON ALTGERÄTEN



Dieses Gerät wurde gemäß der Europäischen Richtlinie 2012/19/EG. Eine solche Kennzeichnung informiert darüber, dass dieses Gerät nach dem Ablauf des Nutzungszeitraumes nicht zusammen mit anderen Hausabfällen gelagert werden darf.

Der Benutzer ist verpflichtet, das Gerät an einem Sammelpunkt für verschlissene elektrische und elektronische Geräte abzugeben. Die die Sammlung durchführenden Einheiten, darunter lokale Sammelpunkte, Geschäfte und gemeindeeigene Einheiten, bilden ein entsprechendes System, welches die Abgabe dieses Gerätes ermöglicht.





Die richtige Vorgehensweise mit Elektro- und Elektronikschrott trägt zur Verhinderung schädlicher Folgen für die menschliche Gesundheit und die natürliche Umwelt bei, die aus der Anwesenheit von Schadstoffen sowie einer falschen Lagerung und Weiterverarbeitung solcher Materialien folgen.

STEUERUNGSKOMPONENTEN

Steuerungskomponenten

Abbildung 4 zeigt das Bedienfeld. Ebenfalls gezeigt werden:



-  – Einschalttaste
-  – Lichtschalter
-  – „+“-Taste
-  – „-“-Taste



Kindersicherung

Um das Bedienfeld zu sperren oder zu entsperren, beide Tasten 5 Sekunden lang gedrückt halten. Die Sperre wird nach einer bestimmten Zeit automatisch aktiviert.



Umstellung der Temperatureinheit von °F auf °C und umgekehrt. Um die Einheiten zu ändern, drücken Sie beide Tasten gleichzeitig. Anschließend können Sie auf dem Display zwischen Grad Celsius und Fahrenheit umschalten. Das Umschalten erfolgt jedes Mal, wenn die Taste gedrückt wird.



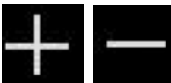
Netzschalter

1. Halten Sie die Taste 5 Sekunden lang gedrückt, um das Gerät auszuschalten. Auf dem Display wird 60 Sekunden lang "oF" angezeigt.
2. Wenn sich das Gerät im Bereitschaftsbetrieb befindet, berühren Sie eine beliebige Taste, um den Bildschirm zu aktivieren. Halten Sie anschließend die Taste 5 Sekunden lang gedrückt, damit der Kühlschrank zum Normalbetrieb zurückkehrt.



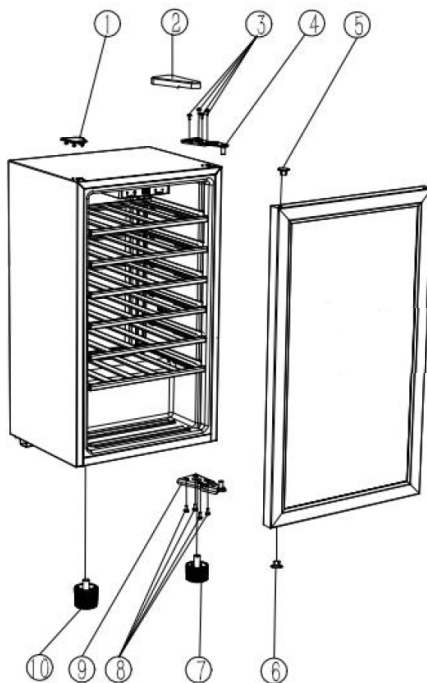
Beleuchtung

Mit der Lichttaste können Sie das Licht ein- und ausschalten.



Mit den Tasten können Sie die Temperatur im Inneren der Kammer ändern. Vor der Änderung muss das Bedienfeld entsperrt werden. Temperaturbereich: 5 - 20 °C.

ÄNDERUNG DER ÖFFNUNGS- RICHTUNG DER TÜR



Die Kühlschranktür lässt sich nach beiden Seiten öffnen. Gehen Sie zum Ändern der Öffnungsrichtung wie folgt vor:

1. Schließen Sie die Tür.
2. Entfernen Sie den Verschluss der Öffnung für das Türscharnier (1) und entfernen Sie auch die Abdeckung des Türscharniers (2); schrauben Sie den Schraubflansch ab (3); entfernen Sie das Türscharnier (4).
3. Nehmen Sie die Tür ab.
4. Entfernen Sie die Buchsen (5 und 6).
5. Entfernen Sie die einstellbaren Füße (7, 10), Schrauben (8) und das untere Scharnier (9).
6. Montieren Sie den hohen Fuß auf der linken Seite (10); befestigen Sie das untere Scharnier (9) mit den Schrauben (8); montieren Sie den kurzen verstellbaren Fuß (7).
7. Setzen Sie die Buchsen (5) und (6) in die entsprechenden Öffnungen ein.
8. Bringen Sie die Tür an.
9. Bringen Sie die Abdeckung des Türscharniers (4) mit den Schrauben (3) an; Bringen Sie die Abdeckung des Türscharniers (2) am Türscharnier an; Bringen Sie die Verschlüsse der Öffnungen für die Türscharniere (1) an.

REINIGUNG UND WARTUNG

Trennen Sie das Gerät immer vom Netzstrom, bevor Sie es reinigen oder warten.

Herausnehmen der Regale

- Um die Regale aus dem Weinkühlschrank zu nehmen, müssen Sie zunächst alle Weinflaschen herausnehmen und dann das Regal nach vorne ziehen, bis die Einkerbungen auf beiden Seiten des Regals mit den Plastikeinsätzen an den Innenseiten des Schrankes auf einer Höhe sind (siehe Abb. 5). Heben Sie dann das Regal an und ziehen es heraus.
- Um das Regal wieder einzulegen, gehen Sie in umgekehrter Reihenfolge vor.

Reinigung

- Benutzen Sie keine scheuernden Materialien oder Reinigungsmittel. Abgewaschene Regale müssen abgespült und sorgfältig abgetrocknet werden.
- Das Gehäuse und die Türdichtungen mit Wasser und sanften Reinigungsmitteln säubern und dann sorgfältig abtrocknen.
- Innen können Sie den Schrank mit einer Sodalösung in warmem Wasser reinigen.
- Die Regale einzeln mit Reinigungsmittel abwaschen. Die Regale nicht in der Spülmaschine reinigen.
- Das Bedienfeld und die elektrischen Teile mit einem feuchten Tuch abwischen und gut abtrocknen, bevor Sie das Gerät wieder an den Strom anschließen.
- Nach der Reinigung das Gerät wieder an den Strom anschließen.
- Sollte das Gerät für längere Zeit nicht genutzt werden, trennen Sie es vom Netzstrom und reinigen Sie es gründlich. Lassen Sie die Tür leicht geöffnet, damit kein Geruch und kein Kondenswasser entsteht.

PROBLEMLÖSUNG

Bei Problemen sollten Sie, bevor Sie den Kundendienst rufen, versuchen, die Probleme anhand der Hinweise selbst zu lösen, um unnötige Servicebesuche und Kosten zu vermeiden.

Wenn das Gerät nicht funktioniert, prüfen Sie:

- Ob das Gerät an den Netzstrom angeschlossen ist.
- Die Sicherungen und Schutzschalter im Haus sind intakt und die Sicherung im Stecker wurde nicht ausgelöst.
- Ob die Steckdose intakt ist. Schließen Sie ein anderes Elektrogerät an, um sich zu vergewissern, dass die Steckdose intakt ist.
- Die Umgebungstemperatur muss zwischen 16°C und 32°C liegen.

Wenn das Gerät zwar funktioniert, aber nicht gut, prüfen Sie:

- Ob das Gerät nicht überladen ist.
- Ob das Thermostat auf die richtige Temperatur eingestellt ist.
- Ob die Tür richtig geschlossen ist.
- Ob die Türdichtung korrekt anliegt.
- Ob die Lüftung neben und hinter dem Gerät ausreichend ist.
- Die Umgebungstemperatur muss zwischen 16°C und 32°C liegen.

Wenn das Gerät Lärm macht, prüfen Sie:

- Ob das Gerät waagrecht und stabil steht.
- Das Kühlgas verursacht Lärm, auch wenn der Kompressor nicht läuft.
- Wenn das Gerät eingeschaltet ist, kann der Ventilator angehen, auch wenn der Kompressor nicht in Betrieb ist.

Wenn die Beleuchtung nicht funktioniert, prüfen Sie:

- Ob das Gerät an den Netzstrom angeschlossen ist.
- Die Sicherungen und Schutzschalter im Haus sind intakt und die Sicherung im Stecker wurde nicht ausgelöst.
- Die Lichttaste steht nicht in der Aus-Position.

Achtung:

Die LED-Lampen müssen von einem Servicetechniker ausgewechselt werden.

Wenn die Tür nicht richtig schließt, prüfen Sie:

- Ob das Gerät waagrecht und stabil steht.
- Wenn die Tür abgenommen wurde, ist sie möglicherweise nicht wieder richtig montiert worden.
- Die Türdichtung ist verschmutzt.
- Die Regale sind nicht richtig eingelegt.

Wenn in der Anzeige „E1“ oder „E2“ erscheint:

- Beschädigung des Temperatursensors. Nehmen Sie mit dem Kundendienst Kontakt auf.

EPREL

Weitere Informationen über das Produkt bietet die EU-Produktdatenbank EPREL auf der Website <https://eprel.ec.europa.eu>. Sie finden die Informationen, indem Sie den QR-Code auf dem Energieetikett scannen oder das auf dem Energieetikett angegebene Produktmodell in die EPREL-Suchmaschine auf der Website <https://eprel.ec.europa.eu/> eingeben.

GARANTIE, NACHVERKAUF-SERVICE

Garantie

Garantieleistungen laut Garantieschein. Der Hersteller übernimmt keine Haftung für Schäden, die durch den unsachgemäßen Betrieb des Produkts entstanden sind.

Wartung

- Der Hersteller empfiehlt, jegliche Reparaturen und Einstellarbeiten von einem Werksservice oder vom Hersteller autorisierten Kundendienst durchführen zu lassen. Aus Sicherheitsgründen sollten Sie das Gerät nicht selbst reparieren.
- Von Personen ohne die erforderlichen Qualifikationen durchgeführte Reparaturen können für den Gerätebenutzer eine ernste Gefahr verursachen.
- Die vom Hersteller, Einführer oder Vertragshändler gewährte Mindestgarantiezeit für das Gerät ist im Garantieschein angegeben.
- Im Fall unbefugter Anpassungen, Änderungen, der Verletzung von Plomben oder anderer Sicherheitsvorrichtungen des Geräts oder Teilen davon, sowie im Fall sonstiger unbefugter Manipulationen am Gerät, die nicht der Bedienungsanleitung entsprechen, verfällt die Garantie für das Gerät.

Reparaturmeldungen und Hilfe bei Fehlern


Wenn das Gerät repariert werden muss, wenden Sie sich bitte an den Kundendienst. Die Adresse und Rufnummer des Kundendienstes sind im Garantieschein angegeben. Halten Sie, wenn Sie den Kundendienst anrufen, bitte die Seriennummer des Geräts bereit. Diese befindet sich auf dem Typenschild. Notieren Sie sich die Seriennummer der Einfachheit halber am besten hier:

--	--	--	--	--	--	--	--	--	--	--	--	--	--

CE-Konformitätserklärung

Der Hersteller dieses Produktes erklärt hiermit in alleiniger Verantwortung, dass dieses Produkt den einschlägigen, grundlegenden Anforderungen der nachfolgenden EU-Richtlinien entspricht:

- **Niederspannungsrichtlinie 2014/35/EG**
- **Elektromagnetische Verträglichkeit 2014/30/EG**
- **ErP – Richtlinie 2009/125/EG**
- **Richtlinie RoHS 2011/65/EG**

Das Gerät ist mit dem  Zeichen gekennzeichnet und verfügt über eine Konformitätserklärung zur Einsichtnahme durch die zuständigen Marktüberwachungsbehörden.

Cher Client

À partir d'aujourd'hui les tâches quotidiennes deviennent encore plus faciles. Cet appareil **Amica** combine une facilité d'utilisation exceptionnelle à une efficacité parfaite. Après la lecture du mode d'emploi, l'utilisation de l'appareil ne vous posera aucun problème.

La sécurité et la fonctionnalité de l'équipement sorti d'usine ont été soigneusement vérifiées sur les postes de contrôle avant son emballage.

Prière de lire attentivement le mode d'emploi avant la mise en fonctionnement de l'appareil. Respecter ses indications vous protégera contre toute utilisation incorrecte. Garder le mode d'emploi dans un endroit accessible.

Respecter les instructions de ce mode d'emploi afin d'éviter des accidents.

Respectueusement


Amica

CONSIGNES DE SECURITÉ D'UTILISATION

- L'appareil n'est destiné qu'à un usage domestique.
- Le fabricant se réserve le droit d'apporter des modifications qui n'affectent pas le fonctionnement de l'appareil.
- Le fabricant n'assume aucune responsabilité pour des dommages causés par une utilisation non conforme aux instructions.
- Veuillez garder cette notice dans le but de s'en servir en avenir soit de la transmettre à un éventuel utilisateur future.
- Cet appareil n'est pas conçu pour être utilisé par des personnes (y compris les enfants) à aptitudes physiques, sensorielles ou mentales réduites ainsi que par des personnes manquant d'expérience et de connaissances à moins que cette utilisation s'effectue sous la surveillance ou en accord avec la notice d'utilisation remise par les personnes responsables de la sécurité.
- Veillez à ce que les enfants sans surveillance n'utilisent pas l'appareil. Ne les laissez pas jouer avec l'appareil. Il est interdit qu'ils s'assoient sur les éléments sortants ainsi qu'ils se penchent sur la porte.
- L'appareil fonctionne convenablement à la température ambiante qui est indiquée dans le tableau des spécifications techniques. Evitez de placer l'appareil dans une cave, un vestibule ou dans un chalet sans chauffage en automne et en hiver.
- Pendant le placement, le déplacement, le soulèvement ne saisissez pas les poignées des portes, ne tirez pas par le réfrigérant à l'arrière du réfrigérateur ainsi que ne touchez pas le groupe compresseur.

- Avant chaque entretien courant débranchez l'appareil. Ne tirez pas par le cordon d'alimentation mais débranchez-le en saisissant la fiche de la prise.
- Les bruits comme des craquements ou des éclatements sont causés par des élargissements et des rétrécissements des pièces résultant des changements de température
- Pour des raisons de sécurité, il ne faut pas dépanner l'appareil de ses propres moyens. Les réparations faites par des personnes non qualifiées dans ce domaine peuvent constituer un danger à la sécurité de l'utilisateur de l'appareil.
- Faites attention à ne pas détériorer le circuit frigorifique, par ex. par le piquage de canaux du produit frigorifique dans l'évaporateur, la rupture des tuyaux. Le fluide frigorigène jaillissant est inflammable. Au cas du contact du produit avec les yeux, rincez les avec de l'eau propre et immédiatement contactez le médecin.
- Attention! Si le câble d'alimentation non débranchable est endommagé, il doit être échangé chez le fabricant, dans un établissement de réparations spécialisé ou par une personne qualifiée afin d'éviter tout danger.
- L'appareil doit être complètement débranché de l'alimentation (en retirant la prise d'alimentation) pour effectuer des tâches telles que le nettoyage, l'entretien ou le changement de son emplacement.
- Cet appareil peut être utilisé par des enfants âgés de 8 ans ou plus, par des personnes avec des capacités motrices, sensorielles ou mentales réduites et par des personnes dénuées d'expérience ou de connaissance de l'équipement uniquement si elles se trouvent sous surveillance et qu'elles aient été instruites auparavant au sujet de l'exploitation de l'appareil de façon sûre et qu'elles connaissent les dangers liés à l'exploitation de l'appareil. Les enfants ne devraient pas jouer avec l'appareil. Le nettoyage et la maintenance

de l'appareil ne devraient pas être effectués par des enfants à moins qu'ils n'aient fini leurs 8 ans et ne soient surveillés par une personne appropriée.

- Il est interdit de nettoyer l'appareil avec de la vapeur
- Tenez l'appareil et son câble d'alimentation loin des enfants âgés de moins de 8 ans.
- Ne pas immerger le câble d'alimentation ni la fiche dans de l'eau.
- Maintenir le câble loin des surfaces chauffées.
- Empêcher que le câble d'alimentation soit suspendu par dessus du bord de la table ou du plan de travail.
- Ne pas utiliser d'appareils électriques à l'intérieur de la chambre
- Ne pas utiliser d'outils pour accélérer le dégivrage
- Nettoyer régulièrement les orifices d'aération de l'appareil (modèles encastrables et sous plan)
- Cet appareil n'est pas destiné à une utilisation avec des programmateurs ou autres dispositifs de mise hors tension à commande directe ou à distance.
- En cas de versement accidentel de liquide sur les éléments électriques, mettre immédiatement l'appareil hors tension.
- Veiller à ne pas écraser ou endommager le câble d'alimentation lors du montage.
- Avant l'élimination de l'appareil, le mettre hors d'usage. Débrancher l'alimentation et couper le câble d'alimentation. Afin d'éviter que des enfants ou des animaux ne s'enferment dans l'appareil, démonter la porte, les charnières et les fermetures.
- Attention : Si l'appareil ne possède pas de compartiment , ceci signifie que l'appareil réfrigérant n'est pas adapté aux besoins de congélation des produits alimentaires.
- La période minimale où les pièces de rechange indispensables à la réparation de l'appareil sont

accessibles est de 7 à 10 ans, selon le type et la destination de la pièce de rechange. Cette période est conforme au règlement (UE) 2019/2019 de la Commission.

- La liste des pièces de rechange et la procédure de commande sont disponibles sur les sites web du fabricant, de l'importateur ou du représentant agréé.

INSTALLATION ET CONDITIONS DE FONCTIONNEMENT DE L'APPAREIL

- Brancher l'appareil à l'alimentation électrique 24 heures après son déballage et son installation à l'endroit choisi.
- Déballez l'appareil, enlevez les bandes adhésives protégeant les portes et l'équipement. Les éventuels restes du col peuvent être enlever avec un détergent délicat.
- Lavez l'intérieur du réfrigérateur ainsi que les autres éléments de l'équipement avec de l'eau tiède avec du produit lave vaisselle et ensuite essuyez et séchez.
- Placez votre réfrigérateur à niveau et en position stable à un sol solide, dans une pièce sèche, régulièrement aérée et non ensoleillée loin des sources de chaleur comme la cuisinière, le radiateur du chauffage central, le tuyau du chauffage central, l'installation de l'eau chaude, etc.
- Le film de protection qui peut recouvrir l'appareil le doit être retiré.
- Placez l'appareil à niveau en visant 2 pieds réglables à l'avant (fig. 1)
- Laisser un espace libre sur les côtés et à l'arrière de l'appareil (voir le dessin de montage)
- S'assurer que l'encastrement de l'appareil ne bloque pas la grille d'aération se trouvant dans la partie inférieure du refroidisseur
- Une odeur particulière peut apparaître après la première mise en marche de l'appareil. Elle disparaîtra une fois l'intérieur de l'appareil refroidi
- A la première mise en marche, le compresseur de l'appareil fonctionnera sans arrêt jusqu'à ce que la température de consigne à l'intérieur de l'appareil soit atteinte
- Si l'alimentation électrique est débranchée, il est conseillé de la brancher de nouveau après au moins 5 minutes. Cela réduit le risque d'endommagement du compresseur.
- Dans les modèles choisis, la température correcte est affichée seulement quelques heures après la mise en marche du refroidisseur
- L'appareil doit être branché au réseau du courant alternatif 220-240V, 50Hz au moyen d'une prise murale correctement installée, mise à la terre et protégée par un coupe-circuit de 10 A.
- La mise à la terre de l'appareil est recommandée par la loi. Le fabricant renonce à une responsabilité quelconque à titre des endommagements éventuels qui peuvent subir les personnes ou les objets suite à ne pas remplir cette obligation imposée par cette règle.

- Il ne faut pas utiliser de raccords adaptatifs, de prises multiples (répartiteurs), de rallonges deux fils. S'il y a la nécessité d'utiliser un rallonge, il est permis d'utiliser qu'un rallonge avec un rouleau de sécurité, à prise unique ayant une attestation de sécurité VDE/GS.
- Au cas d'utilisation d'un rallonge (avec le rouleau de sécurité, ayant le signe de sécurité), sa prise doit être placée à une distance sûre des évier et ne peut pas être exposée à être submerger de l'eau ainsi que des autres égouts.
- Il faut assurer la possibilité de débrancher l'appareil par le retrait de la fiche ou par l'éteint de l'interrupteur bipolaires.

Classe climatique

L'information sur la classe climatique de l'appareil se trouve sur la plaque signalétique. Il indique la température ambiante (c'est-à-dire de la pièce dans laquelle il fonctionne) du fonctionnement optimal (correct) de l'appareil.

Classe climatique		Température ambiante admissible
SN	tempérée élargie	l'appareil réfrigérant est destiné à une utilisation à une plage de températures comprise entre 10 °C et 32 °C
N	tempérée	l'appareil réfrigérant est destiné à une utilisation à une plage de températures comprise entre 16 °C et 32 °C
ST	subtropicale	l'appareil réfrigérant est destiné à une utilisation à une plage de températures comprise entre 16 °C et 38 °C
T	tropicale	l'appareil réfrigérant est destiné à une utilisation à une plage de températures comprise entre 16 °C et 43 °C

CONSEILS PRATIQUES

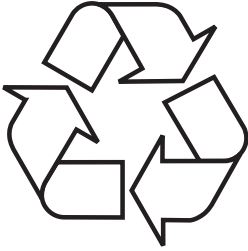
- Si l'éclairage reste allumé à l'intérieur de l'appareil, la température à l'intérieur est également supérieure
- La température à l'intérieur dépend du nombre et du type de bouteilles de vin conservées
- Pour garantir la sécurité de l'utilisateur et la qualité élevée du vin conservé, ne pas installer l'appareil dans des pièces humides
- Conserver les bouteilles aux endroits indiqués
- Le refroidisseur a une capacité limitée, ne pas placer plus de bouteilles qu'indiqué (Voir la fiche du produit)
- Ne pas ouvrir la porte du refroidisseur si cela n'est pas nécessaire
- Ne pas couvrir les clayettes de feuille aluminium ou autre matériau. Cela empêche la circulation de l'air à l'intérieur de l'appareil
- Pour éviter l'endommagement du joint de porte, avant de retirer la clayette, s'assurer la porte est complètement ouverte. Pousser les

clayettes à fond, sinon celles-ci peuvent déformer le joint de porte et par conséquent complètement l'endommager.

- Ne pas tirer les clayettes chargées hors des limites de course (environ 1/3 de la longueur de la clayette)
- Cet appareil est conçu pour la conservation de bouteilles de vin, ne pas l'utiliser à d'autres fins
- Pour la conservation du vin, la stabilité de la température est d'une très grande importance
- L'exposition du refroidisseur aux rayons de soleil, à de grandes variations de température, à une humidité élevée et aux vibrations peut rendre le vin impropre à la consommation
- A des périodes d'humidité élevée, de la condensation peut se former sur les surfaces en verre extérieures de la porte. Pour éviter cela, il est conseillé d'installer l'appareil dans un endroit sec et bien aéré
- Les modèles choisis dispose d'une poignée extérieure, fixez-la par vous-même. Pour ce faire, il est interdit d'utiliser des outils électriques (fig. 3). Pour ce faire, tirer légèrement le joint de porte sur le côté et placer les vis du côté intérieur de la porte. Aligner la poignée sur les orifices à l'extérieur de la porte et serrer les vis avec un tournevis. Fixer de nouveau le joint de porte,
- La capacité maximale de l'appareil est indiquée sur la fiche du produit jointe à l'appareil. Cette capacité concerne les bouteilles standard de type Bordeaux 0,75l
- Les modèles choisis sont équipés d'un système empêchant le renversement. Le monter selon le schéma joint (Fig. 6*).
- Cet appareil réfrigérant est destiné à être encastré.
- Pour assurer la meilleure conservation des aliments pendant longtemps et éviter leur gaspillage, disposer les produits comme montré sur la Fig. 12. De plus, la figure montre la disposition des compartiments, des tiroirs et des clayettes qui permet l'utilisation la plus efficace de l'énergie par l'appareil.
- La conservation des produits alimentaires dans des conditions et une température adaptées prolonge leur limite de consommation et optimise la consommation d'énergie électrique. Les plages de températures devraient être indiquées sur les emballages et les étiquettes des produits alimentaires.
- Il convient de respecter le chargement dans les compartiments indiqués dans la notice et le produit.

*Existe selon le modèle

DÉBALLAGE



Pour son transport, l'appareil a été emballé afin de le protéger contre les endommagements. Après déballage de l'appareil, prière d'éliminer les éléments de l'emballage d'une façon non nuisible à l'environnement. Tous les matériaux utilisés pour l'emballage sont inoffensifs pour l'environnement et recyclables à 100% (ils sont marqués par un symbole approprié)

Attention! Lors du déballage, garder les matériaux d'emballage (petits sacs polyéthylène, morceaux de polystyrène, etc.) hors de portée des enfants.

ÉLIMINATION DES APPAREILS USAGÉS



Cet appareil est marqué par le symbole du conteneur à déchets, rayé, conformément à la Directive Européenne 2012/19/CE. Ce symbole signale que le produit, après sa période d'utilisation, ne pourra pas être éliminé avec d'autres déchets ménagers.

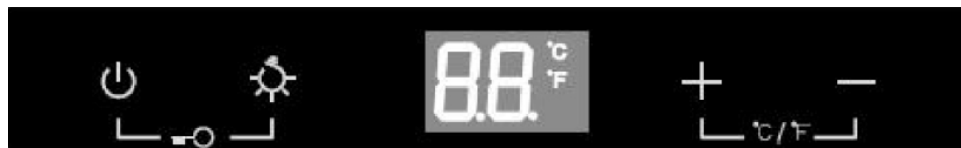
L'utilisateur est obligé de le rendre à un point de collecte des appareils électriques et électroniques usagés. De tels points de collecte sont mis en place par les communes, certains magasins et entreprises de ramassage des déchets.





Respecter les règles d'élimination des appareils électriques et électroniques permet d'éviter des conséquences nuisibles à la santé humaine et à l'environnement naturel, à cause de la possibilité de présence de constituants dangereux ou de transformations inappropriées à ce type d'appareil.

ÉLÉMENTS DE COMMANDE

Éléments de commande

Le panneau de commande est présenté sur la figure 4. Il est présenté également ci-dessous :



-  – Touche d'alimentation
-  – Touche d'éclairage
-  – Touche « + »
-  – Touche « - »



Contrôle parental
Pour verrouiller ou déverrouiller le panneau, appuyer sur les deux touches et les maintenir pressées pendant 5 secondes. Le verrouillage s'active automatiquement après un certain temps



Changement de l'unité de température de °F/°C et l'inverse. Pour modifier les unités, appuyer sur les deux touches simultanément, vous pouvez ensuite passer des degrés Celsius aux degrés Fahrenheit sur l'écran d'affichage. Chaque pression sur la touche entraîne le changement des unités.



Touche d'alimentation
1. Appuyer sur la touche et la maintenir pressée pendant 5 secondes pour éteindre l'appareil. Le symbole « oF » s'affichera sur l'écran d'affichage pendant 60 secondes
2. Quand l'appareil est en mode prêt, appuyer sur une quelconque touche pour éclairer l'écran d'affichage et ensuite, appuyer sur cette touche et la maintenir pressée pendant 5 secondes, le réfrigérateur reprend son travail normal.

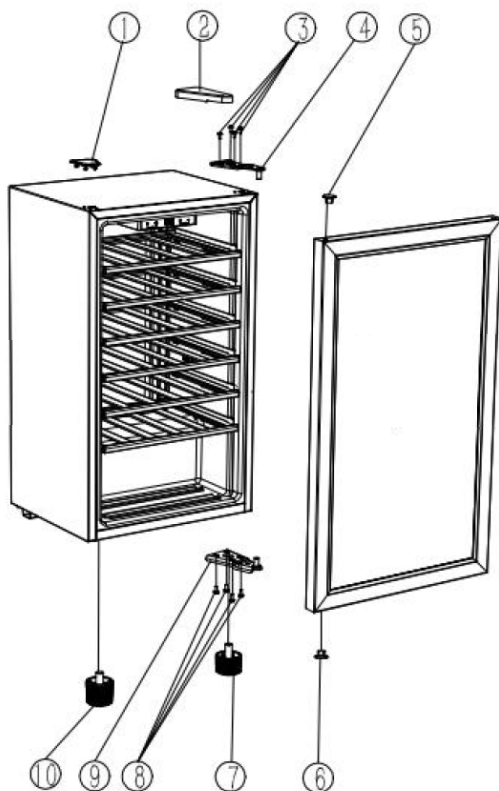


Éclairage
En appuyant sur cette touche, il est possible d'allumer et d'éteindre la lumière.



Les touches servent à modifier la température à l'intérieur du compartiment. Avant de commencer déverrouiller le panneau. La plage de températures est de 5-20°C

MODIFICATION DU SENS D'OUVERTURE DE LA PORTE



La porte du réfrigérateur peut s'ouvrir des deux côtés. Pour changer le sens d'ouverture :

1. Fermer la porte
2. Retirer le bouchon de l'orifice de la charnière de porte (1) ainsi que le protection de la charnière de porte (2); dévisser la bride de la vis (3); Retirer la charnière de porte (4)
3. Retirer la porte
4. Enlever la douille (5), (6)
5. Retirer les pieds réglables (7, 10), les vis (8), la charnière inférieure (9)
6. Monter le pied haut du côté gauche (10); Monter la charnière inférieure (9) à l'aide des vis (8); Monter le pied court réglable (7)
7. Monter les douilles (5), (6) dans les orifices correspondants
8. Installer la porte
9. Monter la protection de la charnière de porte (4) à l'aide des vis (3); Monter la protection de la charnière de porte (2) sur la charnière de porte; Monter les bouchons des orifices des charnières de porte(1)

NETTOYAGE ET ENTRETIEN

Avant le nettoyage et la maintenance de l'appareil, toujours débrancher l'alimentation électrique.

Retrait des clayettes

- Pour retirer les clayettes du refroidisseur à vin, d'abord sortir toutes les bouteilles et ensuite, tirer la clayette jusqu'à ce que les encoches des deux côtés soient ramenées au même niveau que les picots des deux côtés de la chambre (comme indiqué sur le des. 5). Ensuite, soulever la clayette et la tirer.
- Pour replacer la clayette dans le refroidisseur, procéder dans l'ordre inverse.

Nettoyage

- Ne pas utiliser de produits nettoyants abrasifs ou de détergents. Après le nettoyage, rincer et sécher soigneusement.
- Nettoyer le corps de l'appareil et les joints de porte à l'aide d'eau et d'un nettoyant doux et ensuite, sécher soigneusement.
- Nettoyer l'intérieur avec une solution de bicarbonate et d'eau tiède.
- Nettoyer les clayettes séparément avec de l'eau et un produit nettoyant. Ne pas laver les clayettes dans un lave-vaisselle.
- Essuyer le panneau de commande et les éléments électriques avec un chiffon humide et avant de brancher l'appareil à l'alimentation, les sécher soigneusement.
- Après le nettoyage, brancher l'appareil à l'alimentation.
- Si l'appareil n'est pas utilisé pendant une longue période, débrancher l'alimentation et le nettoyer soigneusement. Laisser la porte entrouverte pour éviter la formation d'odeurs et la condensation de l'eau.

RÉSOLUTION DES PROBLÈMES

En cas de problème, avant de faire appel au service technique, vérifier les conseils de résolution des problèmes pour éviter des déplacements et des coûts inutiles.

Si l'appareil ne fonctionne pas, vérifier

- Si l'alimentation est branchée
- Si les fusibles ou les disjoncteurs de protection dans le local fonctionnent correctement et si la protection dans la fiche n'est pas déclenchée.
- Si la prise n'est pas endommagée. Brancher un autre appareil pour vérifier si la prise n'est pas endommagée.
- La température ambiante doit être de 16°C à 32°C.

Si l'appareil fonctionne, mais d'une manière pas tout à fait efficace, vérifier

- Si l'appareil n'est pas surchargé.
- Si le thermostat est réglée sur une température adéquate.
- Si la porte est fermée correctement.
- Si le joint de porte adhère bien
- Si l'aération sur les côtés et à l'arrière est suffisante.
- La température ambiante doit être de 16°C à 32°C.

Si l'appareil fait du bruit, vérifier

- Si l'appareil est mis à niveau et repose sur une surface stable.
- Le réfrigérant gazeux fait du bruit même si le compresseur n'est pas en marche.
- Lors du fonctionnement de l'appareil, le ventilateur peut travailler même si le compresseur n'est pas en marche.

Si l'éclairage ne fonctionne pas, vérifier

- Si l'appareil est branché à l'alimentation électrique.
- Si les fusibles ou les disjoncteurs de protection dans le local fonctionnent correctement et si la protection dans la fiche n'est pas déclenchée.
- La touche d'éclairage n'est pas sur la position éteinte.

Attention:

L'éclairage LED ne peut pas être remplacé sans faire appel au service technique

Si la porte n'est pas fermée correctement, vérifier

- Si l'appareil est mis à niveau et repose sur une surface stable.
- Si la porte a été démontée, elle a pu être montée de nouveau incorrectement.
- Le joint de porte est sale.
- Les clayettes ne sont pas correctement insérées.

Si l'afficheur affiche « E1 » ou « E2 »

- Endommagement du capteur de température. Contacter le service

EPREL

Retrouvez plus d'informations sur le produit dans la base de données européenne EPREL à l'adresse <https://eprel.ec.europa.eu>. Vous pouvez obtenir les informations en scannant le code QR de l'étiquette énergétique ou un saisissant le modèle du produit de l'étiquette énergétique dans le moteur de recherche EPREL <https://eprel.ec.europa.eu/>

Beste klant

Vanaf vandaag zijn de dagelijkse klusjes eenvoudiger dan ooit tevoren. Het apparaat **Amica** is een combinatie van uitzonderlijk bedieningsgemak en perfecte effectiviteit. Na het lezen van de gebruiksaanwijzing kent de bediening voor u geen geheimen meer.

Ieder apparaat dat de fabriek verlaat is vóór het inpakken op controleplekken grondig gecontroleerd op veiligheid en functionaliteit.

Wij vragen u deze gebruiksaanwijzing zorgvuldig door te lezen voordat u het apparaat inschakelt. Naleving van de aanwijzingen die erin zijn opgenomen beschermt u tegen onjuist gebruik. Bewaar de gebruiksaanwijzing en zorg dat u hem altijd binnen handbereik heeft.

Volg de gebruiksaanwijzing nauwkeurig op om ongevallen te voorkomen.

Hoogachtend

Amica

AANWIJZINGEN VOOR VEILIG GEBRUIK

- Het apparaat is uitsluitend bestemd voor huishoudelijk gebruik.
- De producent behoudt zich het recht voor om wijzigingen aan te brengen die het gebruik van het apparaat niet beïnvloeden.
- De producent is niet aansprakelijk voor schade die is veroorzaakt doordat de regels uit deze gebruiksaanwijzing niet zijn nageleefd.
- Bewaar deze gebruiksaanwijzing voor toekomstig gebruik of om door te geven aan een eventuele volgende gebruiker.
- Dit apparaat is niet bestemd voor gebruik door personen (waaronder kinderen) met lichamelijke of geestelijke beperkingen of personen zonder ervaring met of kennis van het apparaat, tenzij dit gebruik plaatsvindt onder toezicht of overeenkomstig de gebruiksaanwijzing van het apparaat, door personen die verantwoordelijk zijn voor hun veiligheid.
- Zorg ervoor dat u het apparaat niet door kinderen zonder toezicht kan worden gebruikt. Laat ze niet spelen met het apparaat. Ze mogen niet op de uittrekelementen zitten of aan de deur hangen.
- Het apparaat werkt correct bij de omgevingstemperatuur die op de productkaart is aangegeven. Gebruik het apparaat niet in een kelder, hal of onverwarmd zomerhuis in de herfst en winter.
- Wanneer u de koelkast plaatst, verschuift of optilt, grijp hem dan niet vast aan de deurgrepen, trek niet aan de condensator op de achterkant van de koelkast en raak de compressor niet aan.
- Haal de stekker uit het stopcontact voordat u begint met onderhoudshandelingen. Trek niet aan de kabel, maar aan de stekker zelf.
- Geluiden als klikken of kraken worden veroorzaakt door onderdelen die uitzetten en krimpen als gevolg van temperatuurveranderingen.
- Om veiligheidsredenen mag u het apparaat niet

zelf repareren. Reparaties die zijn uitgevoerd door personen die niet over de vereiste kwalificaties beschikken, kunnen een ernstig gevaar opleveren voor de gebruiker van het apparaat.

- Let op dat u het koelcircuit niet beschadigt, bijvoorbeeld door het doorprikken van de kanalen voor koelmiddel in de verdampers of het breken van de buizen. Ontsnappend koelmiddel is brandbaar. Bij contact met de ogen moet u ze uitspoelen met schoon water en onmiddellijk een arts raadplegen.
- Opgelet! Indien de vaste voedingskabel beschadigd raakt, dient deze bij de producent of een gespecialiseerde reparateur vervangen te worden of door een bevoegde persoon om gevaar te voorkomen.
- Koppel het apparaat volledig los van het lichtnet (door de stekker uit het stopcontact te trekken) tijdens werkzaamheden als schoonmaken, onderhoud of verplaatsen.
- Dit apparaat mag gebruikt worden door kinderen van 8 jaar en ouder, door personen met een lichamelijke, zintuiglijke of verstandelijke beperkingen en personen zonder ervaring of kennis van het apparaat wanneer op hen gelet wordt of ze geïnstrueerd zijn over het veilig gebruik van het apparaat en ze de gevaren kennen in verband met het gebruik van het apparaat. Kinderen mogen niet met het apparaat spelen. Reiniging en onderhoud mogen niet door kinderen gedaan worden tenzij ze 8 jaar of ouder zijn en er toezicht wordt gehouden door een geschikte persoon.
- Het apparaat mag niet gereinigd te worden met stoom
- Houd het apparaat en de kabel buiten bereik van kinderen jonger dan 8 jaar.
- Dompel de kabel of de stekker niet onder in water.
- Houd de aansluitkabel uit de buurt van hete oppervlakken.
- Laat de kabel niet over de tafelrand of rand van het werkblad hangen.
- Gebruik geen elektrische apparaten in de koelruimte
- Gebruik geen gereedschap om het ontdooien te versnellen

- Maak regelmatig de ventilatieopeningen van het apparaat schoon (voor inbouw- of onderbouwapparaten)
- Dit apparaat is niet ontworpen om te werken met elektronische timers of andere apparaten om de stroomtoevoer direct of op afstand af te sluiten.
- Als u per ongeluk vloeistof op elektrische componenten morst, moet u het apparaat onmiddellijk loskoppelen van het elektriciteitsnet.
- Zorg ervoor dat de voedingskabel niet wordt afgeknelnd of beschadigd tijdens de installatiewerkzaamheden.
- Maak het apparaat onbruikbaar voordat u het weggooit. Dit omvat het loskoppelen en afknippen van de voedingskabel. Verwijder deuren, scharnieren en sloten om te voorkomen dat kinderen of huisdieren opgesloten komen te zitten in het apparaat.
- Opgelet: Als het apparaat geen ruimte met  heeft, betekent dit dat dit koelapparaat niet geschikt is voor het invriezen van voedingsmiddelen.
- De minimumperiode waarin reserveonderdelen die nodig zijn om het apparaat te repareren beschikbaar blijven, bedraagt 7 of 10 jaar, afhankelijk van het type en het doel van het reserveonderdeel, en is in overeenstemming met Verordening (EU) 2019/2019 van de Commissie.
- De lijst met reserveonderdelen en de bestelprocedure zijn beschikbaar op de websites van de fabrikant, importeur of de officiële vertegenwoordiger.

INSTALLATIE EN WERKINGSVOORWAARDEN VAN HET APPARAAT

- Sluit het apparaat pas aan op de voeding 24 uur na het uitpakken en op de definitieve plaats zetten.
- Pak het product uit en verwijder het plakband waarmee de deuren en accessoires zijn vastgezet. Achtergebleven lijmresten kunt u met een mild schoonmaakmiddel verwijderen.
- Maak de binnenkant van de koelkast en de accessoires schoon met lauw water en een beetje afwasmiddel. Maak ze daarna droog.
- Plaats de koelkast op een vlakke, horizontale en stabiele ondergrond, in een droge en eventuele ruimte zonder direct zonlicht, uit de buurt van warmtebronnen zoals een fornuis, radiatoren, cv-leidingen, warmwaterinstallaties etc.
- Op de buitenoppervlakken van het product kan beschermende folie zitten.

- Deze moet u verwijderen.
- Zorg ervoor dat het product horizontaal staat door de 2 stelvoetjes in of uit te schroeven (Afb. 1).
- Houd de ruimte aan de zijkanten en achterkant van het toestel vrij (zie montage-tekening).
- Zorg ervoor dat bij installatie van het apparaat in een inbouwmeubel het ventilatierooster aan de onderkant van de koelkast niet wordt geblokkeerd.
- Na de eerste start van het apparaat kan er een specifieke geur vrijkomen. Deze verdwijnt als de binnenkant van het apparaat is afgekoeld.
- Bij de eerste start zal de compressor van het apparaat continu draaien totdat de gewenste temperatuur in de koelkast is bereikt.
- Na het loskoppelen van de voeding raden we aan het apparaat pas na ten minste 5 minuten opnieuw aan te sluiten. Dit vermindert het risico op beschadiging van de compressor.
- Bij bepaalde modellen wordt de juiste temperatuur pas een paar uur na het opstarten van de koelkast op de display weergegeven.
- Sluit het apparaat aan op wisselstroom van 220-240 V en 50 Hz via een juist geïnstalleerd stopcontact dat is geaard en beveiligd met een zekering van 10 A.
- Aarding van het apparaat is wettelijk verplicht. De fabrikant is niet aansprakelijk voor eventuele schade aan personen of voorwerpen als gevolg van het niet naleven van de verplichting die deze bepaling oplegt.
- Gebruik geen adapters, stekkerdozen (verdelers) of twee-aderige verlengsnoeren. Indien het noodzakelijk is een verlengsnoer te gebruiken, mag dit uitsluitend een verlengsnoer zijn met een beschermring, een enkel stopcontact en een VDE/GS-veiligheidsattest.
- Als u een verlengsnoer gebruikt (met beschermring en veiligheidskeurmerk), moet zijn stopcontact zich op veilige afstand van de gootsteen bevinden en mag het niet worden blootgesteld aan water of afvalwater.
- Zorg ervoor dat het apparaat makkelijk losgekoppeld kan worden van het elektriciteitsnetwerk door de stekker uit het stopcontact te trekken of de dipoolschakelaar uit te schakelen.

Klimaatklasse

Informatie over de klimaatklasse van het apparaat vindt u op het typeplaatje. Het geeft aan bij welke omgevingstemperatuur (nl. in de ruimte waarin het product werkt) het product optimaal (correct) presteert.

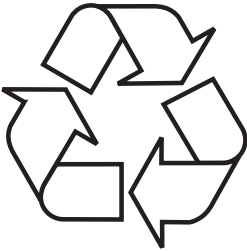
Klimaatklasse		Toelaatbare omgevingstemperatuur
SN	uitgebreid gematigd	Het koelapparaat is bestemd voor gebruik bij omgevingstemperaturen binnen een bereik van 10°C tot 32°C
N	gematigd	Het koelapparaat is bestemd voor gebruik bij omgevingstemperaturen binnen een bereik van 16°C tot 32°C
ST.	subtropisch	Het koelapparaat is bestemd voor gebruik bij omgevingstemperaturen binnen een bereik van 16°C tot 38°C
T	tropisch	Het koelapparaat is bestemd voor gebruik bij omgevingstemperaturen binnen een bereik van 16°C tot 43°C

PRAKTISCHE TIPS

- Als u het licht in het apparaat aan laat, zorgt dit ervoor dat de temperatuur in het apparaat hoger is.
- De binnentemperatuur hangt af van het aantal en het type van de opgeslagen wijnflessen.
- Om de veiligheid van de gebruiker en de hoge kwaliteit van de opgeslagen wijn te garanderen, mag u het apparaat niet in vochtige ruimten plaatsen.
- Bewaar de flessen wijn op de aangeduide plaatsen.
- De koelkast heeft een beperkte capaciteit, plaats niet meer flessen dan de aangegeven hoeveelheid (zie de productkaart).
- Open de deur van de koelkast niet, tenzij dit noodzakelijk is.
- Bedek de schappen niet met aluminiumfolie of enig ander materiaal. Dit blokkeert de luchtcirculatie in het apparaat.
- Om beschadiging van de deurdichting te voorkomen, moet u ervoor zorgen dat de deur volledig open staat voordat u een schap verwijdert. De schappen moeten zo ver mogelijk worden ingeschoven, anders kan het schap de dichting vervormen, waardoor hij volledig beschadigd kan raken.
- Trek beladen schappen niet verder uit dan de uittreklimiet (ongeveer 1/3 van de schaplengte).
- Dit apparaat is bestemd voor het bewaren van flessen wijn. Gebruik het niet voor andere doeleinden.
- Temperatuurstabiliteit is erg belangrijk bij het bewaren van wijn.
- Blootstelling van de koelkast aan zonlicht, grote temperatuurschommelingen, hoge vochtigheid en trillingen maken de wijn naar verwachting ongeschikt voor consumptie.
- Tijdens perioden met een hoge luchtvochtigheid kan zich condens vormen op de buitenoppervlakken van de glazen deur. Om dit te voorkomen, bevelen we aan om het apparaat in een droge, goed geventileerde ruimte te installeren.
- Bepaalde modellen zijn uitgerust met een externe handgreep die u zelf moet vastschroeven. Gebruik hiervoor geen elektrisch gereedschap (Afb. 3)*. Trek hiertoe de deurdichting voorzichtig opzij en plaats de schroeven aan de binnenkant van de deur. Lijn de handgreep uit met de gaten aan de buitenkant van de deur en draai de schroeven vast met een schroevendraaier. Plaats de deurdichting terug.
- De maximale capaciteit van het apparaat staat vermeld op de productkaart die is meegeleverd met de koelkast. Deze capaciteit geldt voor standaard Bordeaux-flessen van 0,75 l.
- Bepaalde modellen zijn uitgerust met een kantelbeveiliging. Installeer deze volgens het bijgevoegde schema. (Afb. 6)*.
- Dit koelapparaat is bedoeld voor gebruik als inbouwapparaat.
- Om voedingsmiddelen zo lang mogelijk te kunnen bewaren en verspilling te voorkomen, plaatst u de producten zoals weergegeven op Afb. 12. Bovendien toont deze afbeelding de verdeling van laden, manden en planken die zorgt voor het meest efficiënte energiegebruik van het koelapparaat.
- Het bewaren van voedingsmiddelen onder de juiste omstandigheden en bij de juiste temperatuur verlengt de houdbaarheid en optimaliseert het elektriciteitsverbruik. Het juiste temperatuurbereik moet op de verpakking of etiketten van voedselproducten zijn vermeld.

*Afhankelijk van het model

UITPAKKEN



Het apparaat is beveiligd tegen transportschade. Na het uitpakken moet het verpakkingsmateriaal zo verwerkt worden dat er geen risico voor het milieu ontstaat. Al het materiaal dat voor de verpakking is gebruikt is milieuvriendelijk, het kan voor 100% hergebruikt worden en het is gelabeld met het bijbehorende symbool.

Attentie! Het verpakkingsmateriaal (polyethyleenzakjes, stukken polystyreen etc.) bij het uitpakken buiten het bereik van kinderen houden.

VERWIJDERING VAN GEBRUIKTE APPARATUUR



Dit product is overeenkomstig met de Europese richtlijn 2012/19/EG. Dit merkteken informeert dat dit apparaat na afloop van zijn levensduur niet samen met ander huishoudelijk afval verwijderd mag worden.

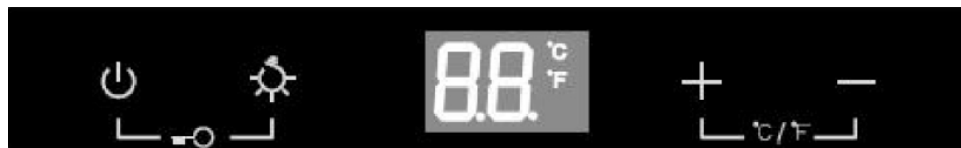
De gebruiker is verplicht om het aan te bieden bij een inzamelpunt voor gebruikte elektrische en elektronische apparatuur. De inzamelende instanties, waaronder lokale inzamelpunten, winkels en gemeentelijke instanties vormen een geschikt systeem voor de inzameling van deze apparatuur.





De juiste behandeling van gebruikte elektrische en elektronische apparatuur leidt tot het vermijden van consequenties die schadelijk zijn voor de menselijke gezondheid en de natuurlijke omgeving en voortkomen uit de aanwezigheid van gevaarlijke bestanddelen en verkeerde opslag en verwerking van dergelijke apparatuur.

BEDIENINGSELEMENTEN

Bedieningselementen

Het bedieningspaneel wordt getoond op afbeelding 4. Het staat ook hieronder weergegeven:



-  - Aan/uit-knop
-  - Verlichtingsknop
-  - Knop "+"
-  - Knop "-"



Kinderslot
U kunt het paneel blokkeren of deblokkeren door beide knoppen gedurende 5 seconden in te drukken. Het kinderslot schakelt na enige tijd automatisch in.



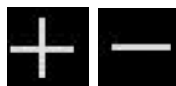
Wijziging van de temperatuureenheid °F/°C en omgekeerd. Om de eenheid te wijzigen, drukt u tegelijkertijd op beide knoppen. Vervolgens kunt u op de display schakelen tussen Celsius en Fahrenheit. Iedere druk op de knop zorgt voor een omschakeling.



Aan/uit-knop
1. Houd de knop gedurende 5 seconden ingedrukt om het apparaat in te schakelen. Op het scherm verschijnt gedurende 60 seconden het symbool "oF".
2. Wanneer het apparaat in de stand-bymodus staat, raakt u een willekeurige knop aan om de display te verlichten. Houd deze knop vervolgens 5 seconden ingedrukt en de koelkast zal weer normaal werken.

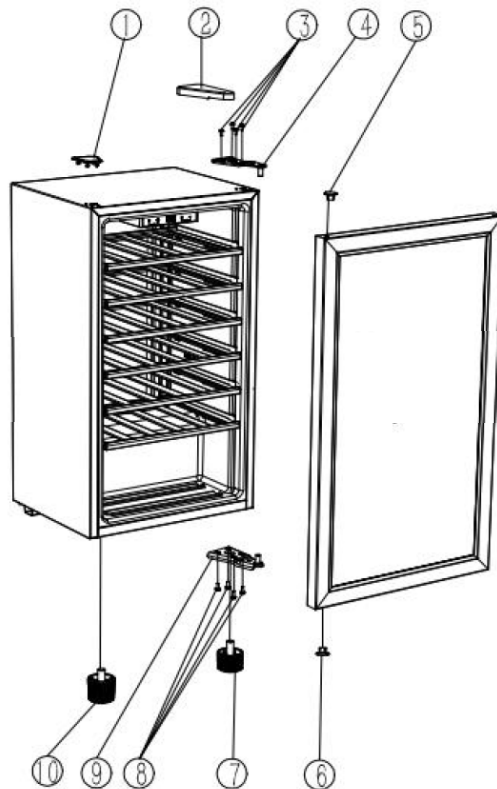


Verlichting
Met het indrukken van de verlichtingsknop schakelt u de verlichting aan of uit.



De knoppen dienen voor wijziging van de temperatuur in de ruimte. Voordat u begint moet u het paneel deblokkeren. Het temperatuurbereik is 5-20°C

OMDRAAIEN VAN DE DRAAI- RICHTING VAN DE DEUR



v

De koelkastdeur kan naar een willekeurige kant opengaan. Om de draai-richting te veranderen:

1. Sluit de deur
2. Verwijder het afdekdoopje van het scharniergat (1) en verwijder ook het scherm van het scharnier (2) en draai de boutkraag (3) los; Verwijder het scharnier (4)
3. Neem de deur van het apparaat
4. Verwijder de hulzen (5), (6)
5. Verwijder de verstelbare voetjes (7, 10), schroeven (8), onderste scharnier (9)
6. Monteer het hoge voetje aan de linkerkant (10); Monteer het onderste scharnier (9) met de schroeven (8); Monteer het lage verstelbare voetje (7)
7. Plaats de hulzen (5), (6) in de betreffende gaten
8. Installeer de deur
9. Monteer het scherm van het scharnier (4) met de schroeven (3); Plaats het scherm van het scharnier (2) op het scharnier; Monteer de afdekdoopjes op de scharniergaten (1)

REINIGING EN ONDERHOUD

Koppel het apparaat los van het elektriciteitsnet voordat u begint met schoonmaken of onderhoud.

Uitnemen van de schappen

- Om de schappen uit de wijnkoelkast te verwijderen, verwijdert u eerst alle flessen en trekt u het schap naar voren totdat de inkepingen aan beide zijden van het schap uitgelijnd zijn met de plastic lipjes aan beide zijden van de koelruimte (zoals getoond op Afb. 5). Til vervolgens het schap op en trek het naar voren uit de koelkast.
- Ga in omgekeerde volgorde te werk om het schap in de koelkast te plaatsen.

Reiniging

- Gebruik geen schurende schoonmaakmiddelen of detergenten. Na het wassen grondig afspoelen en drogen.
- Maak de behuizing van het apparaat en de deurdichtingen schoon met water en een mild schoonmaakmiddel, droog ze daarna goed af.
- Maak de binnenkant van het apparaat schoon met een oplossing van soda in warm water.
- Maak de schappen apart schoon met water en schoonmaakmiddel. Was de schappen niet af in de vaatwasmachine.
- Veeg het bedieningspaneel af met een vochtige doek en droog het goed af voordat u het apparaat weer op het elektriciteitsnet aansluit.
- Sluit na het schoonmaken het apparaat weer aan op het elektriciteitsnet.
- Als het apparaat gedurende lange tijd niet zal worden gebruikt, haal dan de stekker uit het stopcontact en maak het apparaat grondig schoon. Laat de deur op een kier staan om geurvorming en condensatie te voorkomen.

HET OPLOSSEN VAN PROBLEMEN

Controleer in geval van problemen eerst de tips voor het oplossen van problemen voordat u de servicedienst belt, zodat u onnodige bezoeken van de servicedienst en kosten voorkomt.

Als het apparaat niet werkt, controleert u het volgende:

- Is het apparaat aangesloten op het elektriciteitsnet?
- Werken de zekeringen of stroomonderbrekers in uw huis nog goed?
- Functioneert het stopcontact? Sluit andere elektrische apparaten aan om te controleren of het stopcontact nog functioneert.
- De omgevingstemperatuur moet vallen binnen de klimaatklasse waarvoor het apparaat is ontworpen.

Als het apparaat niet goed werkt, controleert u het volgende:

- Is het apparaat niet overbelast?
- Is er wel de juiste temperatuur ingesteld?
- Is de deur goed gesloten?
- Sluit de deurdichting goed aan?
- Is de ventilatie aan de zijkanten en de achterkant wel voldoende?
- De omgevingstemperatuur moet vallen binnen de klimaatklasse waarvoor het apparaat is ontworpen.

Als het apparaat herrie maakt, controleert u het volgende:

- Staat het apparaat waterpas en stabiel?
- Het koelgas in het systeem maakt geluid, zelfs als de compressor niet werkt.
- Tijdens de werking van het apparaat kan de ventilator draaien, zelfs als de compressor niet werkt.

Als de verlichting niet werkt, controleert u het volgende:

- Is het apparaat aangesloten op het elektriciteitsnet?
- Werken de zekeringen of stroomonderbrekers in uw huis nog goed?
- Staat de lichtknop niet in de uit-stand?

Opgelet:

Ledverlichting moet worden onderhouden door een technicus. Repareer de verlichting niet zonder de juiste bevoegdheid.

Als de deur niet goed sluit, controleert u het volgende:

- Staat het apparaat waterpas en stabiel?
- Als de deur eerder verwijderd is, kan het zijn dat hij niet correct is gemonteerd.
- De deurdichting is vuil.
- De schappen zijn niet correct geplaatst.

Als op de display "E1" of "E2" brandt

- Beschadiging van de temperatuurvoeler. Neem contact op met de servicedienst.

EPREL

Meer informatie over het product vindt u in de Europese productdatabase voor energie-etikettering EPREL op de website <https://eprel.ec.europa.eu>. U kunt de informatie verkrijgen door de QR-code op het energie-etiket te scannen of door het productmodel in te voeren in de zoekmachine van EPREL <https://eprel.ec.europa.eu/>

GARANTIE, SERVICE

Garantie

De garantieverplichtingen blijken uit het garantiebewijs. De producent is niet aansprakelijk voor schade die is veroorzaakt door oneigenlijk gebruik van het product.

Service

- De producent van het apparaat raadt aan om alle reparaties en afstelwerkzaamheden uit te laten voeren door de fabrieksservice of de geautoriseerde service van de producent. Om veiligheidsredenen mag u het apparaat niet zelf repareren.
- Reparaties die zijn uitgevoerd door personen die niet over de vereiste kwalificaties beschikken, kunnen een ernstig gevaar opleveren voor de gebruiker van het apparaat.
- De minimale garantieperiode voor het apparaat die door de fabrikant, importeur of gevolmachtigde wordt aangeboden, staat vermeld op het garantiebewijs.
- Het apparaat verliest zijn garantie als gevolg van eigenhandige aanpassingen, wijzigingen, schending van de verzegeling of andere beveiligingen van het apparaat of onderdelen daarvan, en andere eigenhandige interventie in de apparatuur die niet in overeenstemming is met de gebruiksaanwijzing.

Reparatiemelding en assistentie bij storingen


Als het apparaat gerepareerd moet worden, moet u contact opnemen met de klantenservice. De adresgegevens en het telefoonnummer van de klantenservice vindt u op het garantiebewijs. Als u contact opneemt, zorg er dan voor dat u het serienummer van het apparaat bij de hand heeft, dit staat op het typeplaatje. Voor uw gemak kunt u het hieronder noteren:

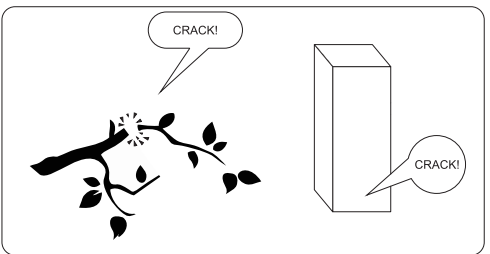
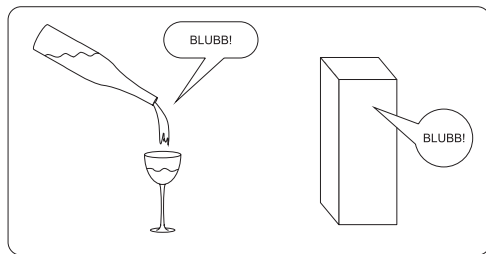
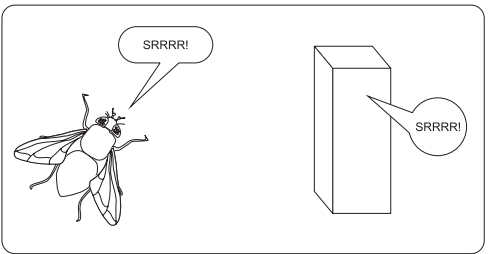
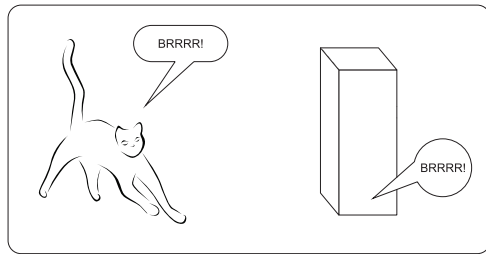
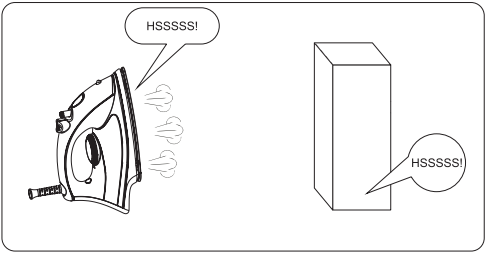
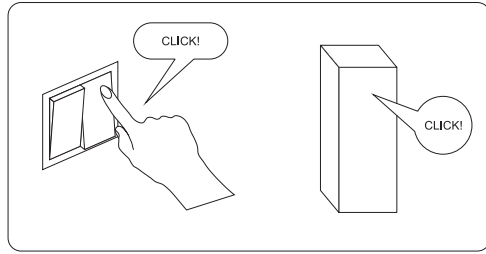
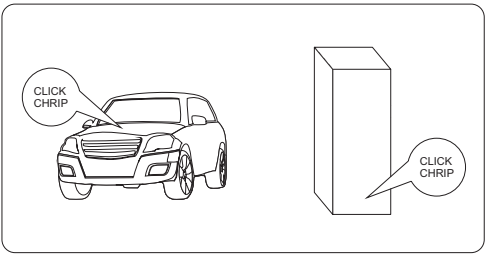
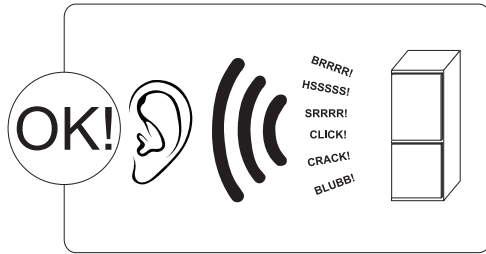
--	--	--	--	--	--	--	--	--	--	--	--	--	--	--	--	--	--	--	--	--	--	--

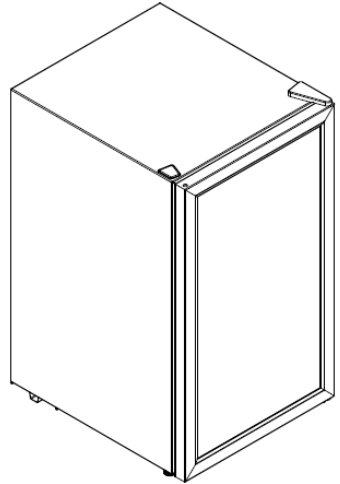
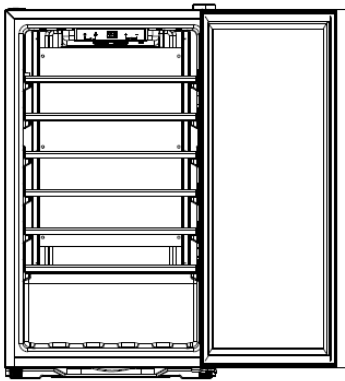
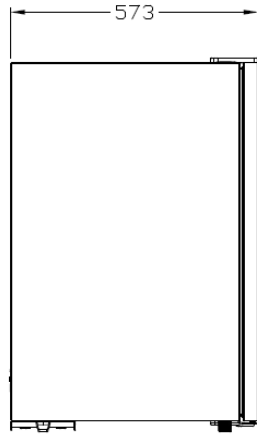
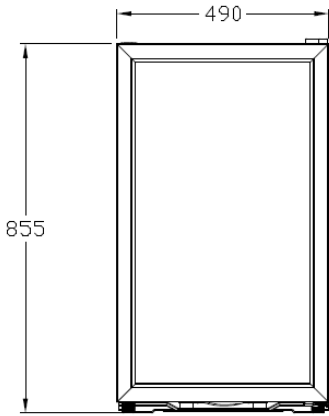
Verklaring van de producent

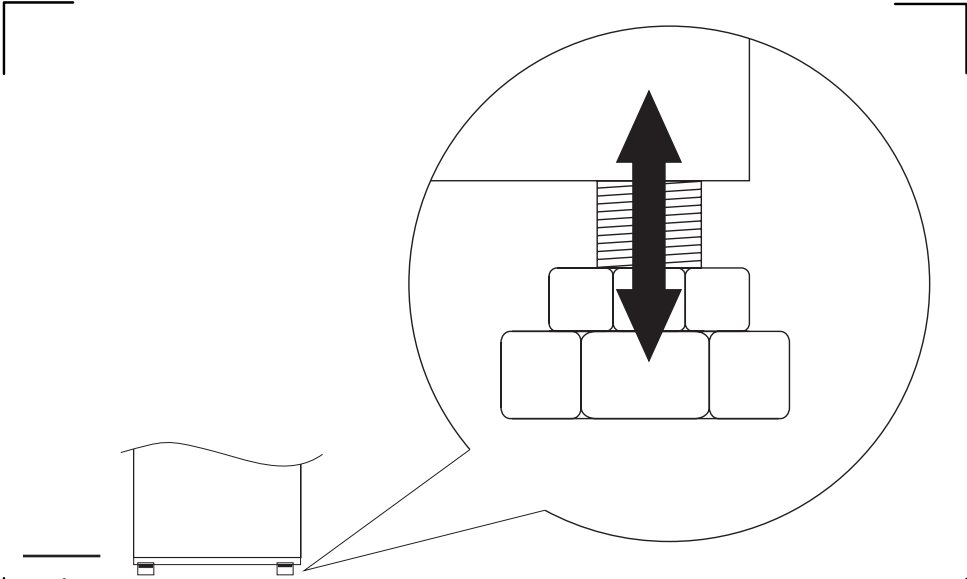
Hierbij verklaart de producent, dat het product aan de eisen van de onderstaande Europese richtlijnen voldoet:

- **Laagspanningsrichtlijn 2014/35/EC**
- **Richtlijn elektromagnetische compatibiliteit 2014/30/EC**
- **Richtlijn 2009/125/EC**
- **Richtlijn RoHS 2011/65/EC**

en over de certificering  en de conformiteitsverklaring voor organen die toezicht op de markt houden beschikt.



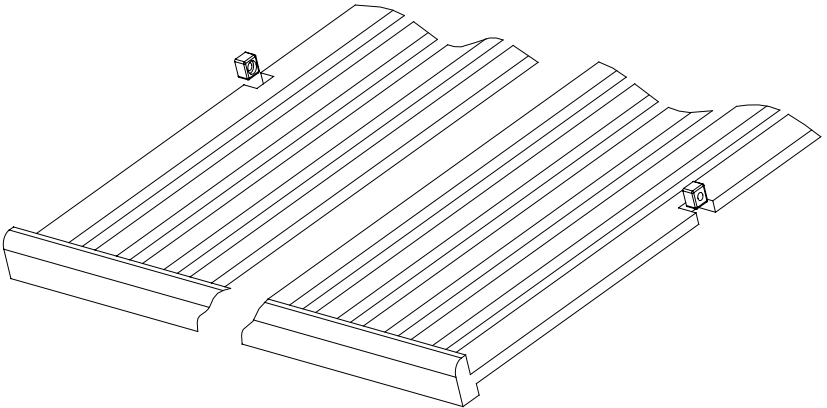




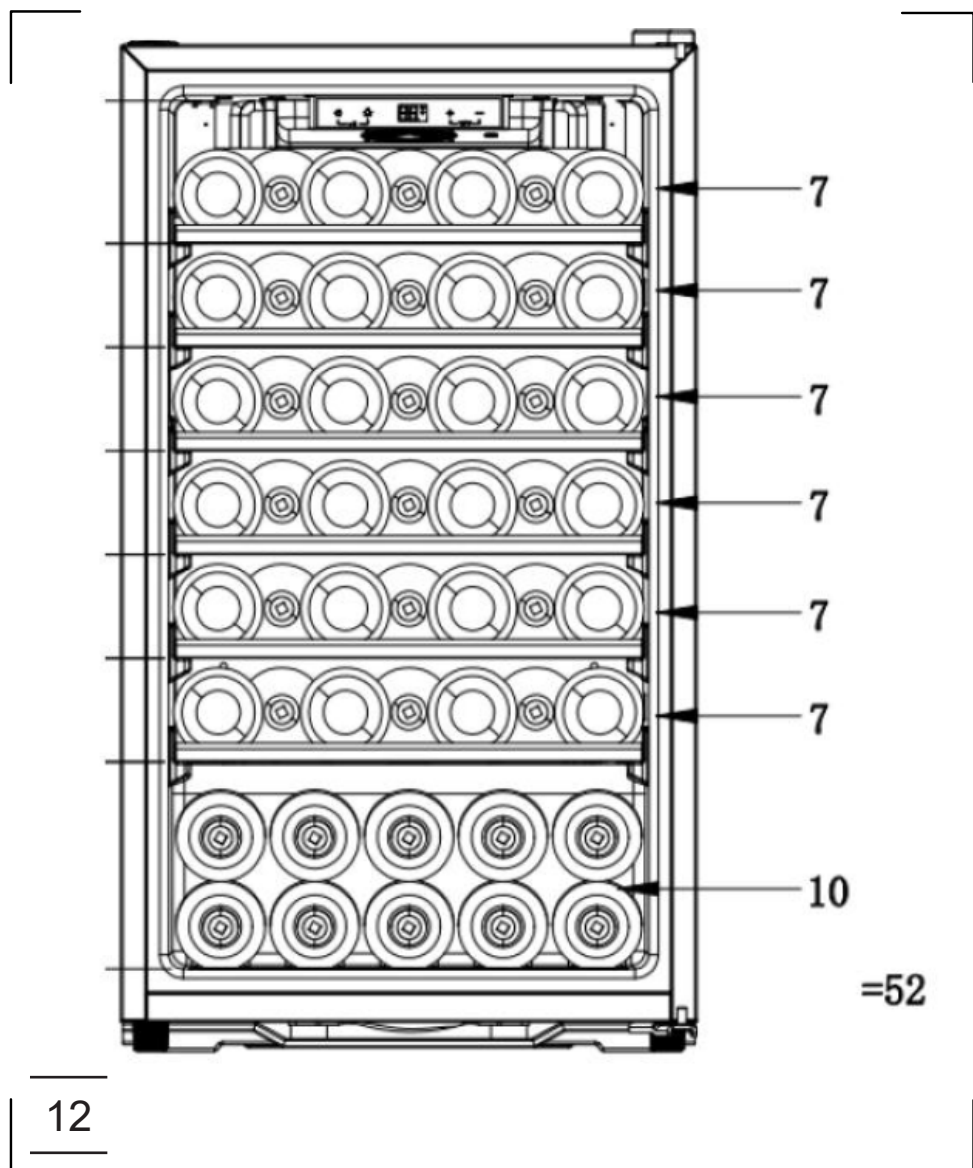
1



4



5



Amica S.A.
ul . Mickiewicza 52 / 64-510 Wronki
tel. 67 25 46 100 / fax 67 25 40 320
www.amica.pl

Amica International GmbH
Lüdinghauser Str. 52
D-59387 Ascheberg
Tel: 0 25 93 - 95 67-0
www.amica-group.de