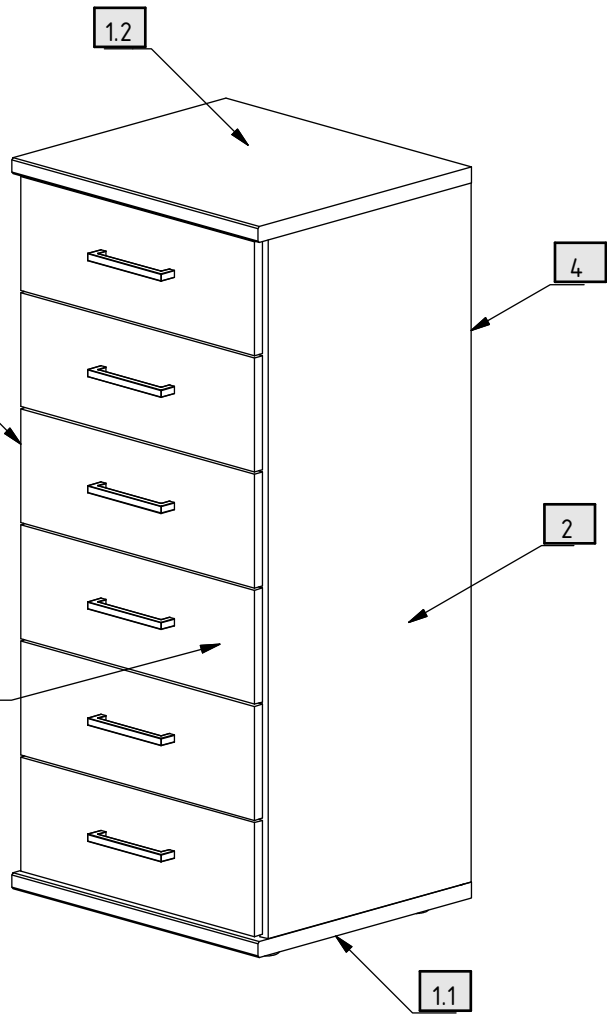
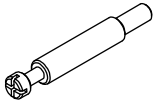


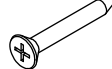
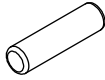
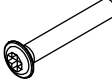
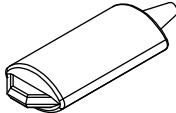

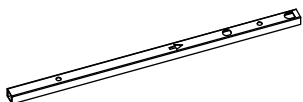
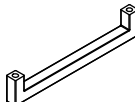


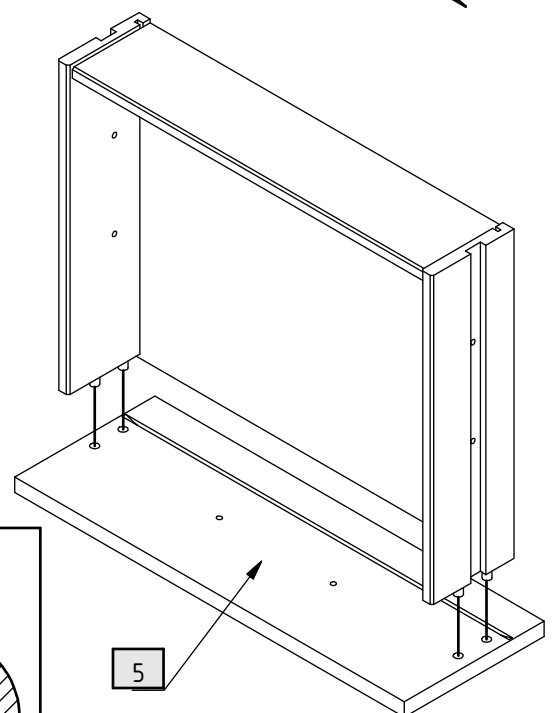
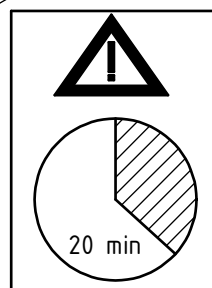
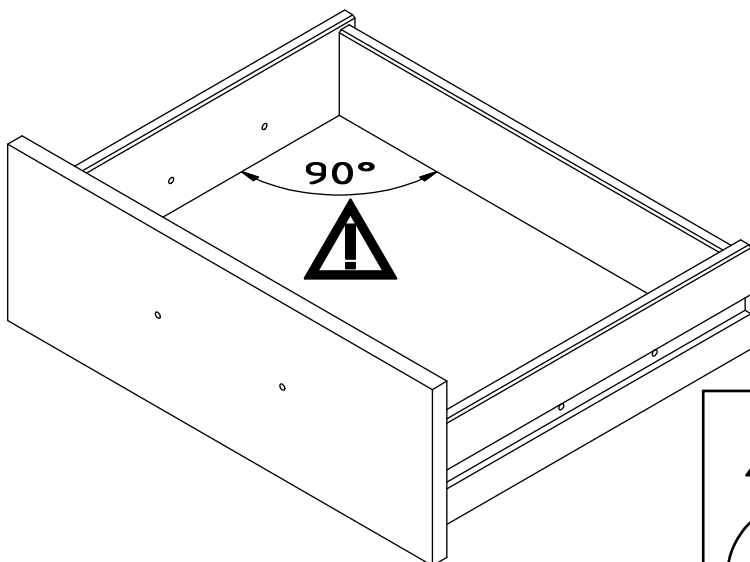
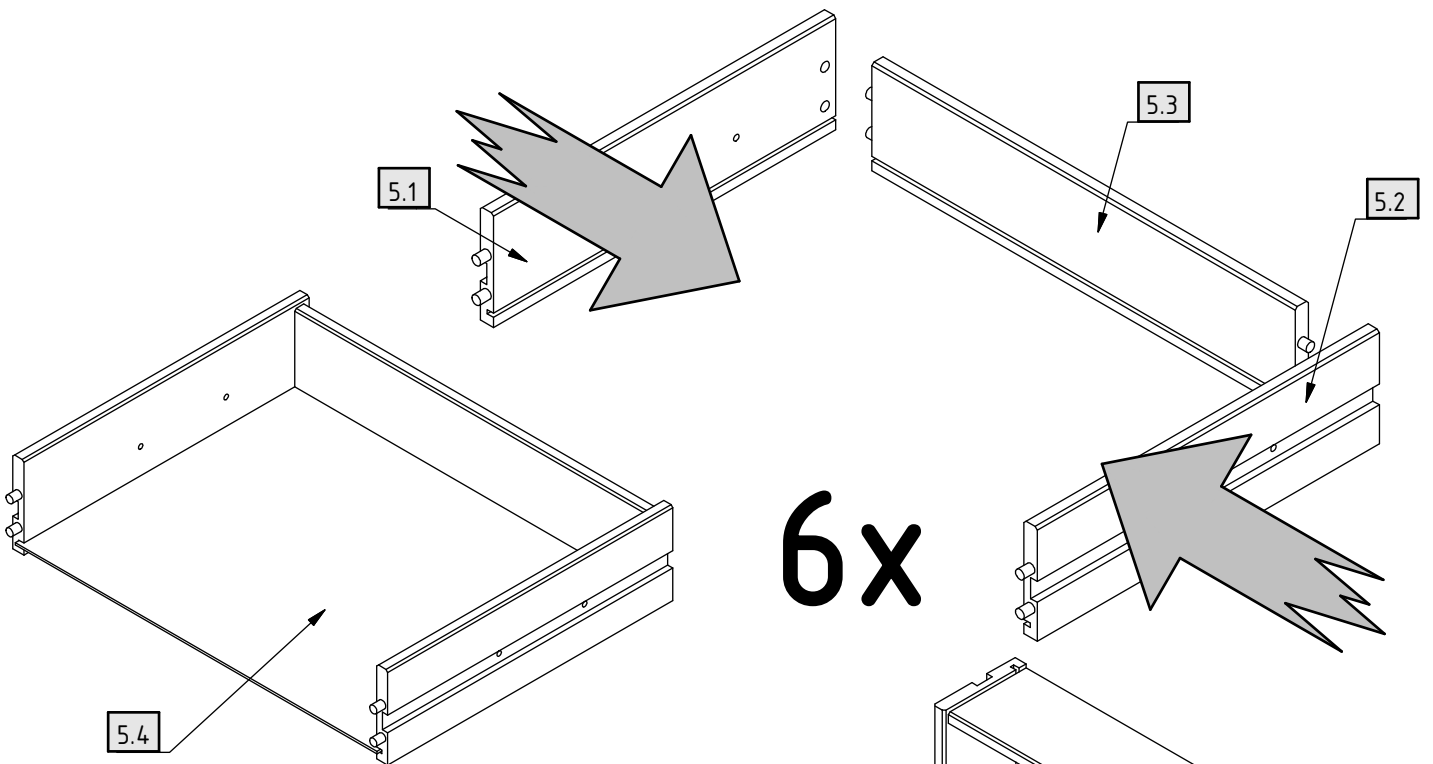
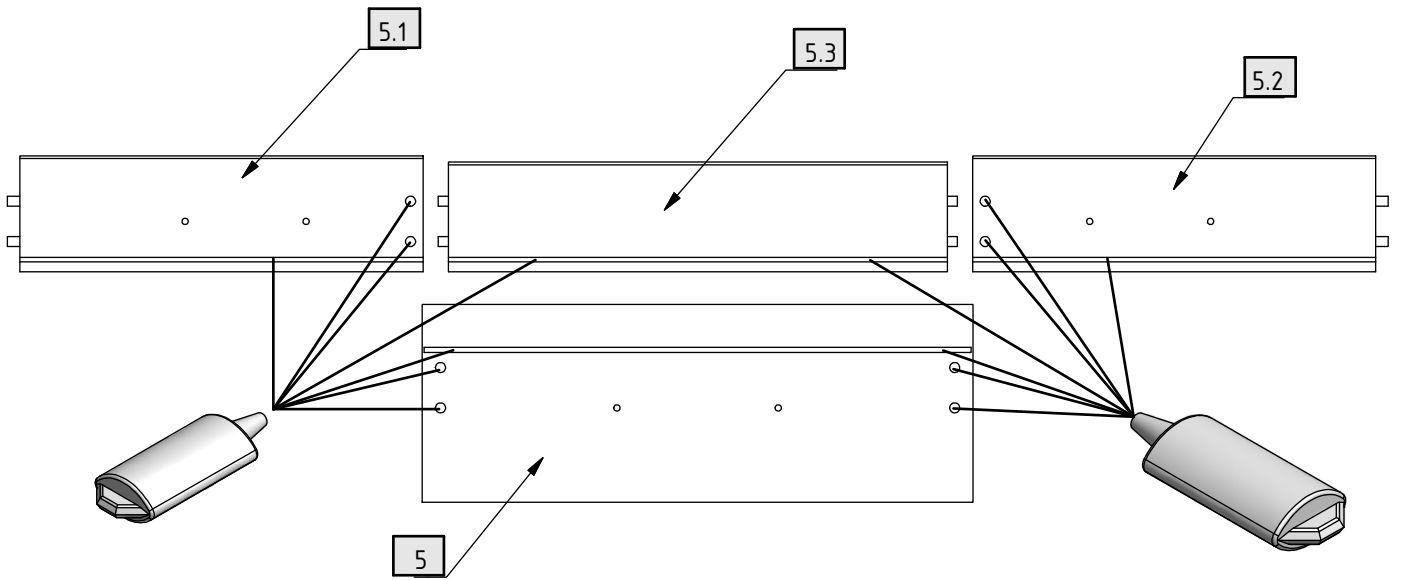
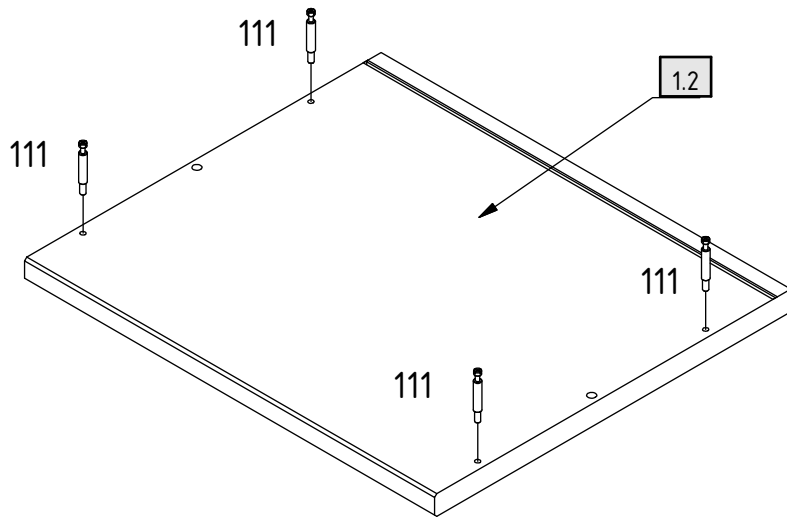


5 + 5.1 + 5.2 + 5.3 + 5.4
6x

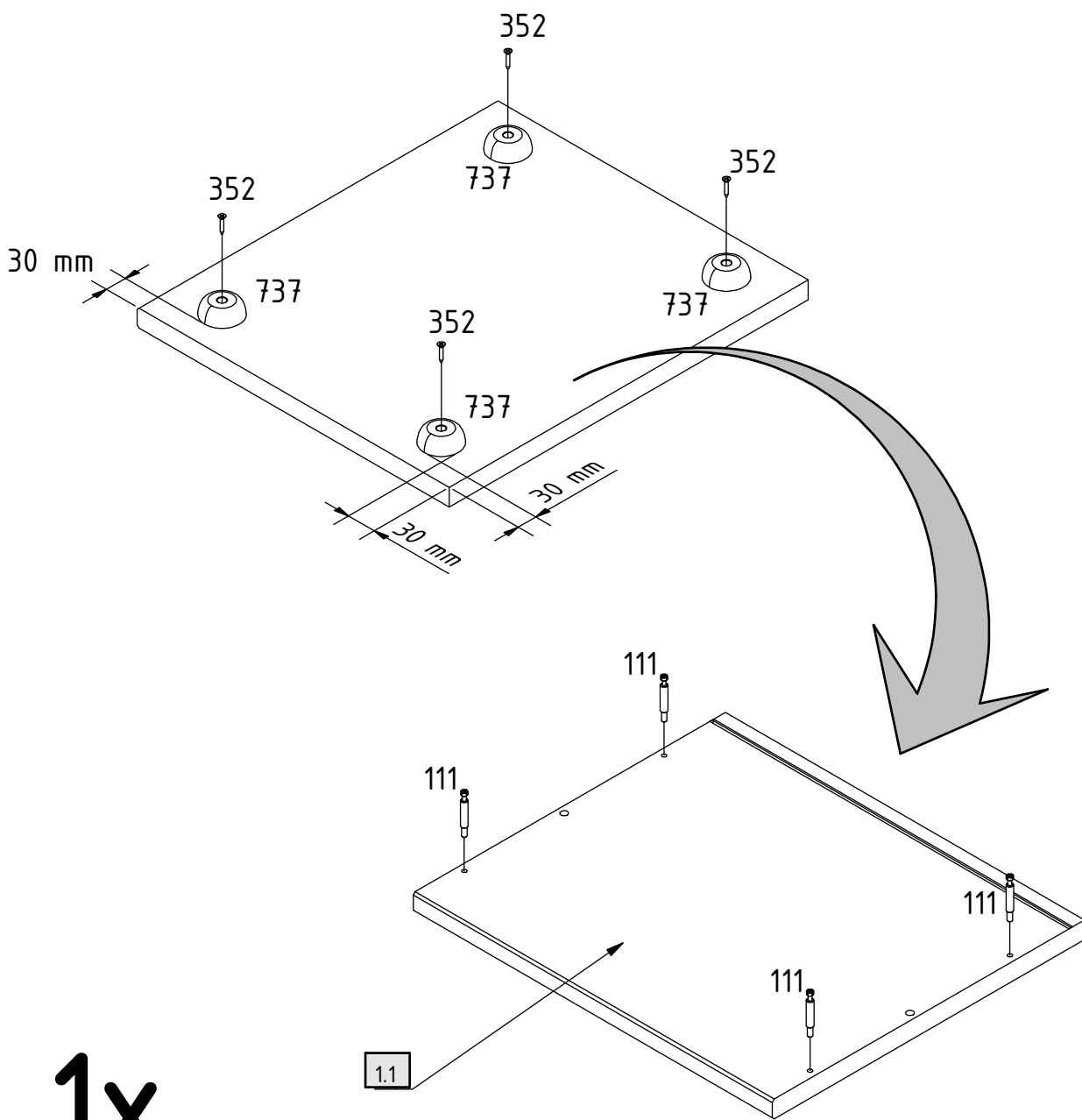


111	8		305	24	 6 x 9 mm
120	8		352	4	 4 x 20 mm
190	4	 Ø8 x 30 mm	377	12	 4 x 25 mm
204	4		408	12	 M4 x 9 mm
215	12		503	6	
220	4		737	4	





1x



1x



ca. 90 mm

3

190

120

120

215

305

215

6x

215

215

305

215

215

120

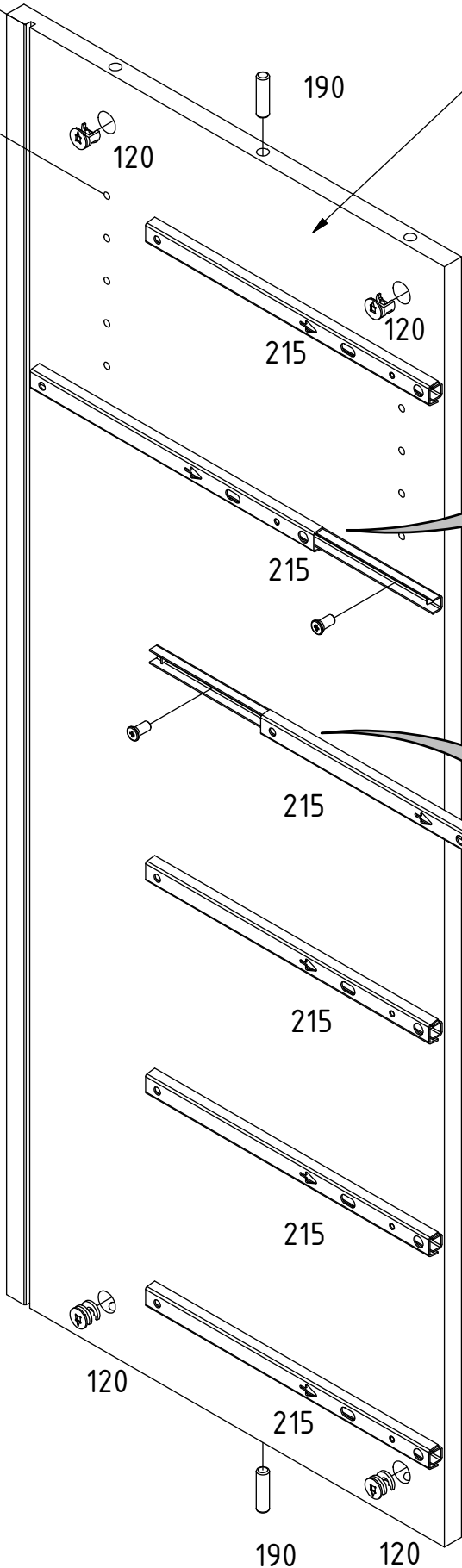
120

190



2

ca. 90 mm



190

120

215

120

215

215

215

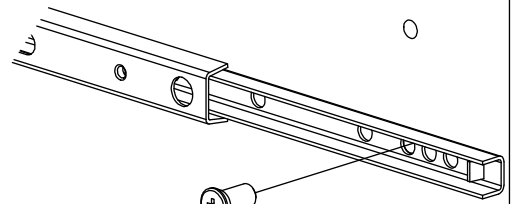
215

120

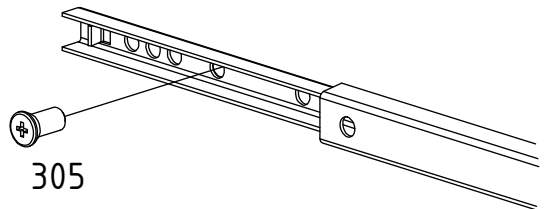
215

190

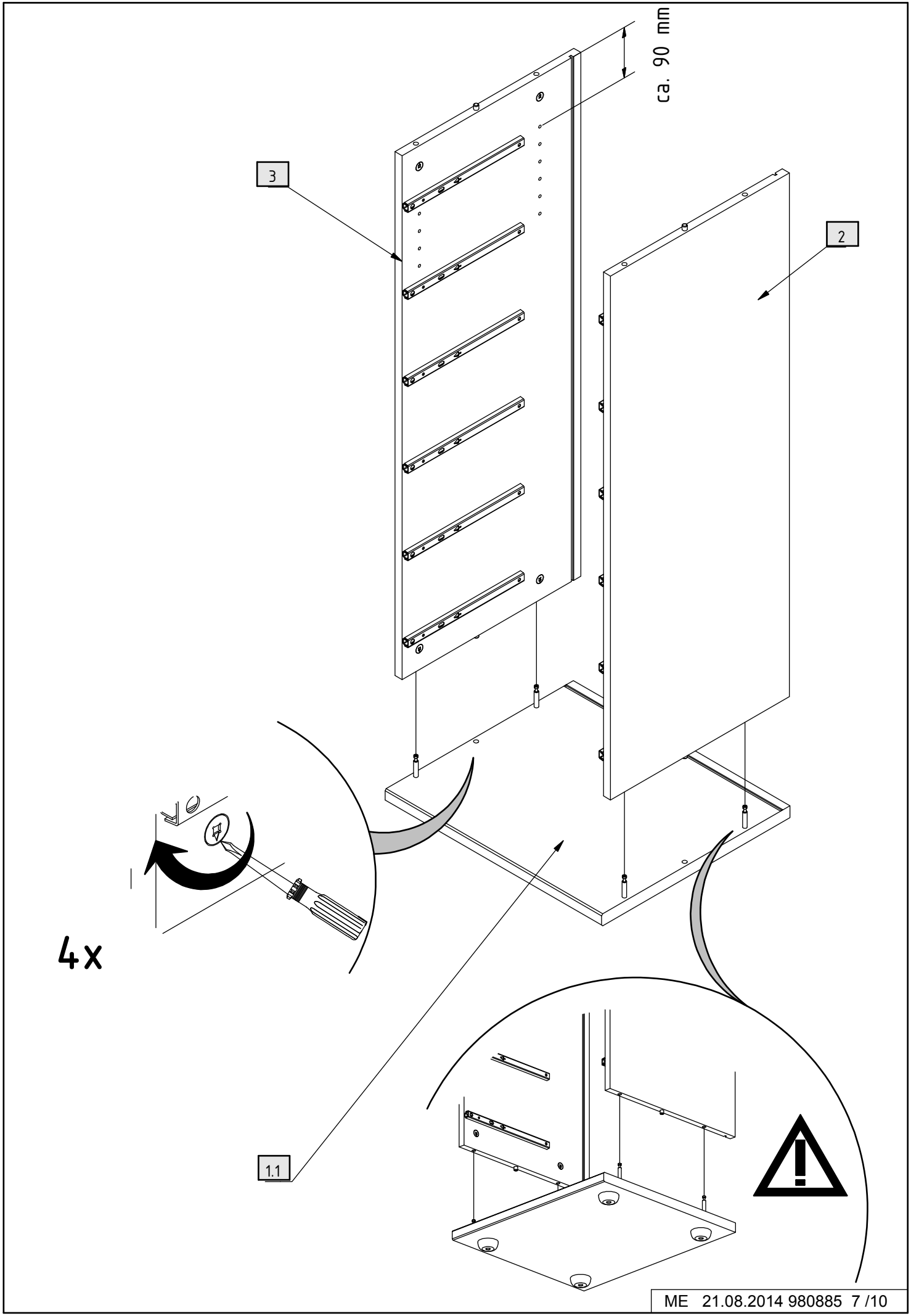
120



305



305



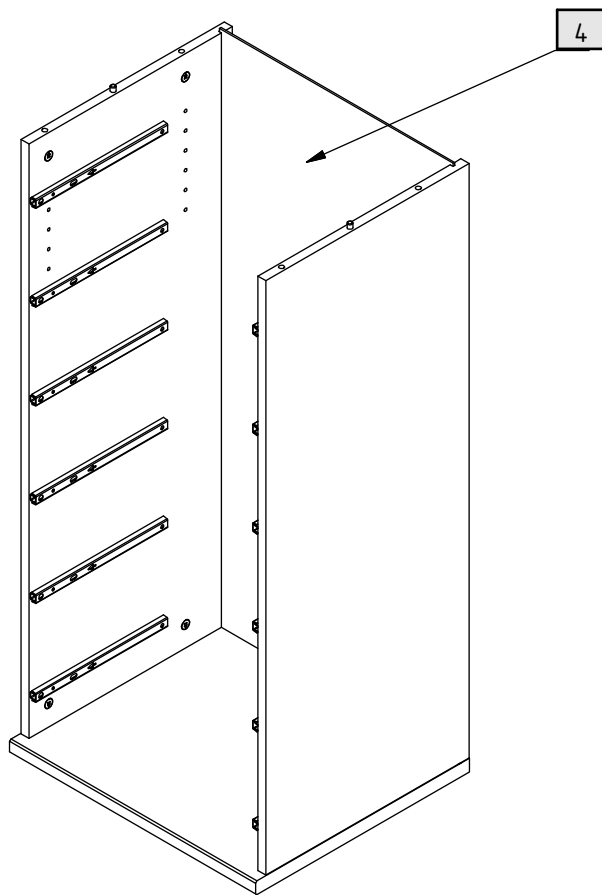
ca. 90 mm

3

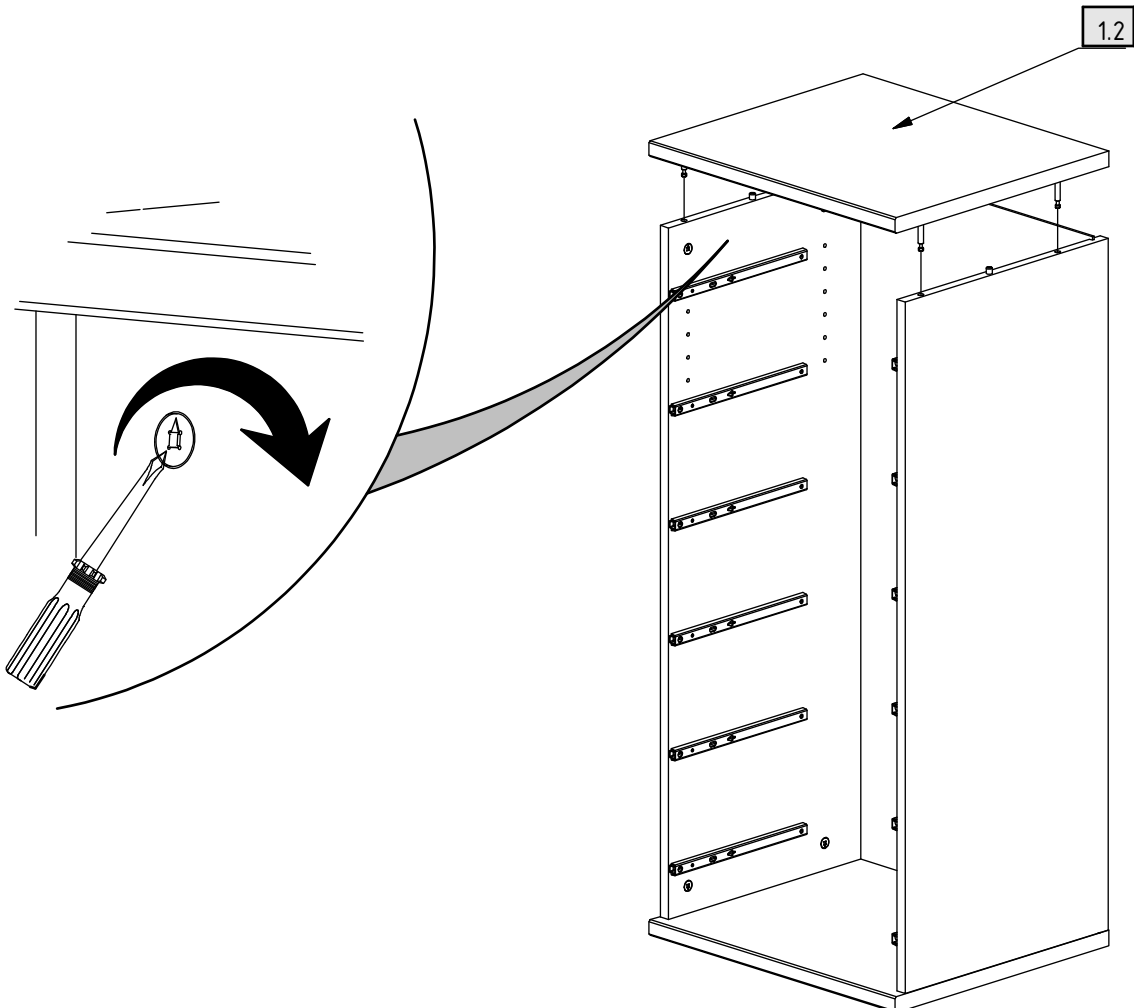
2

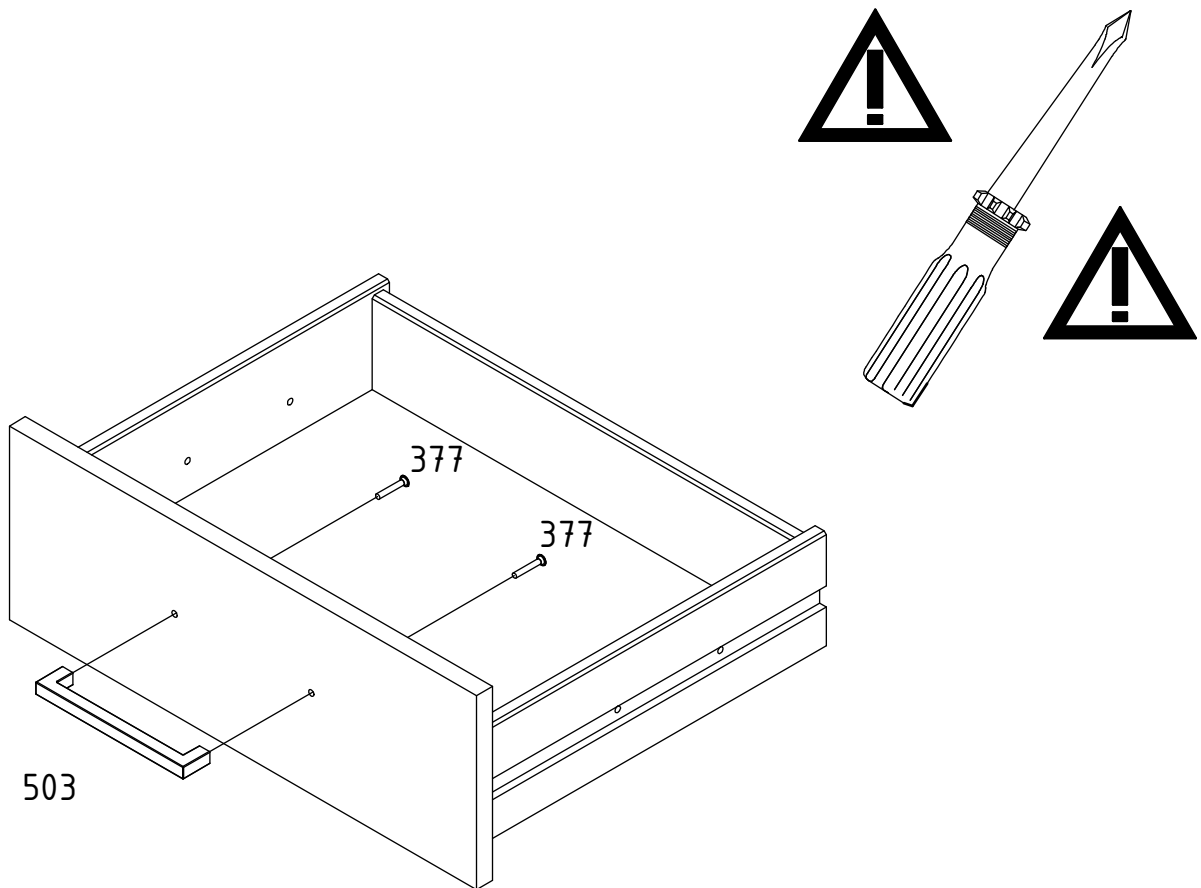
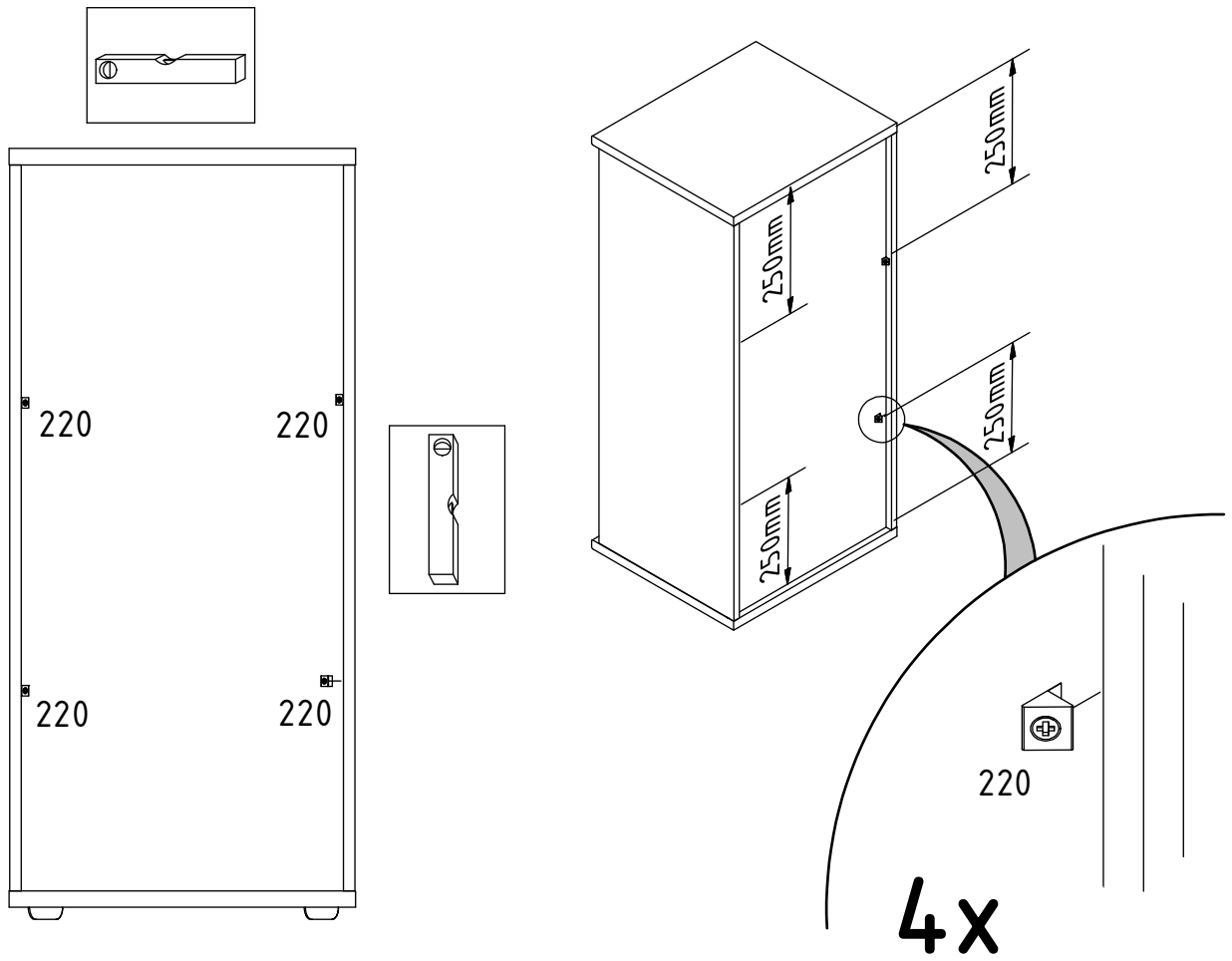
1.1

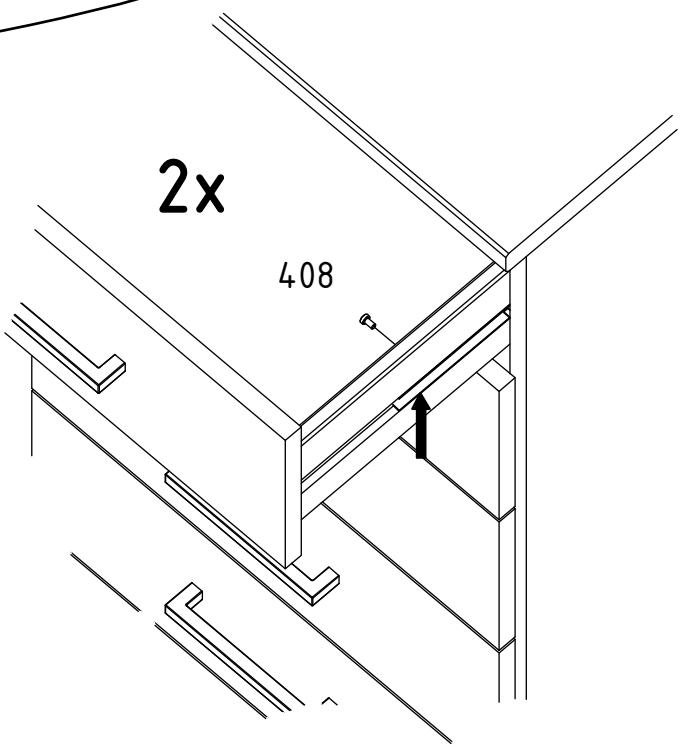
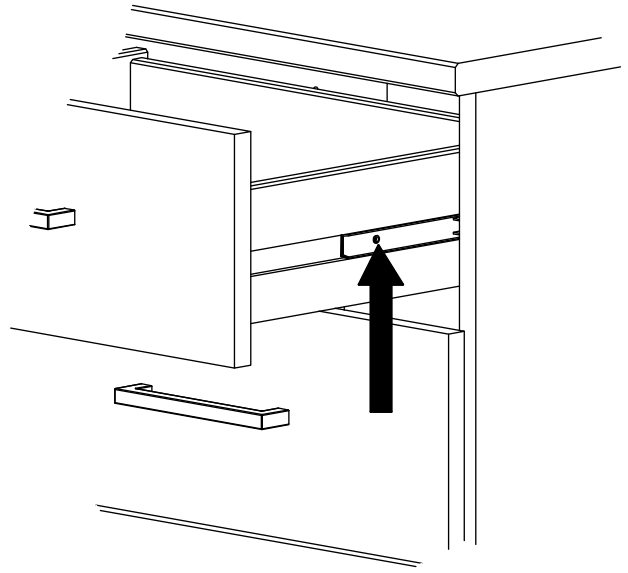
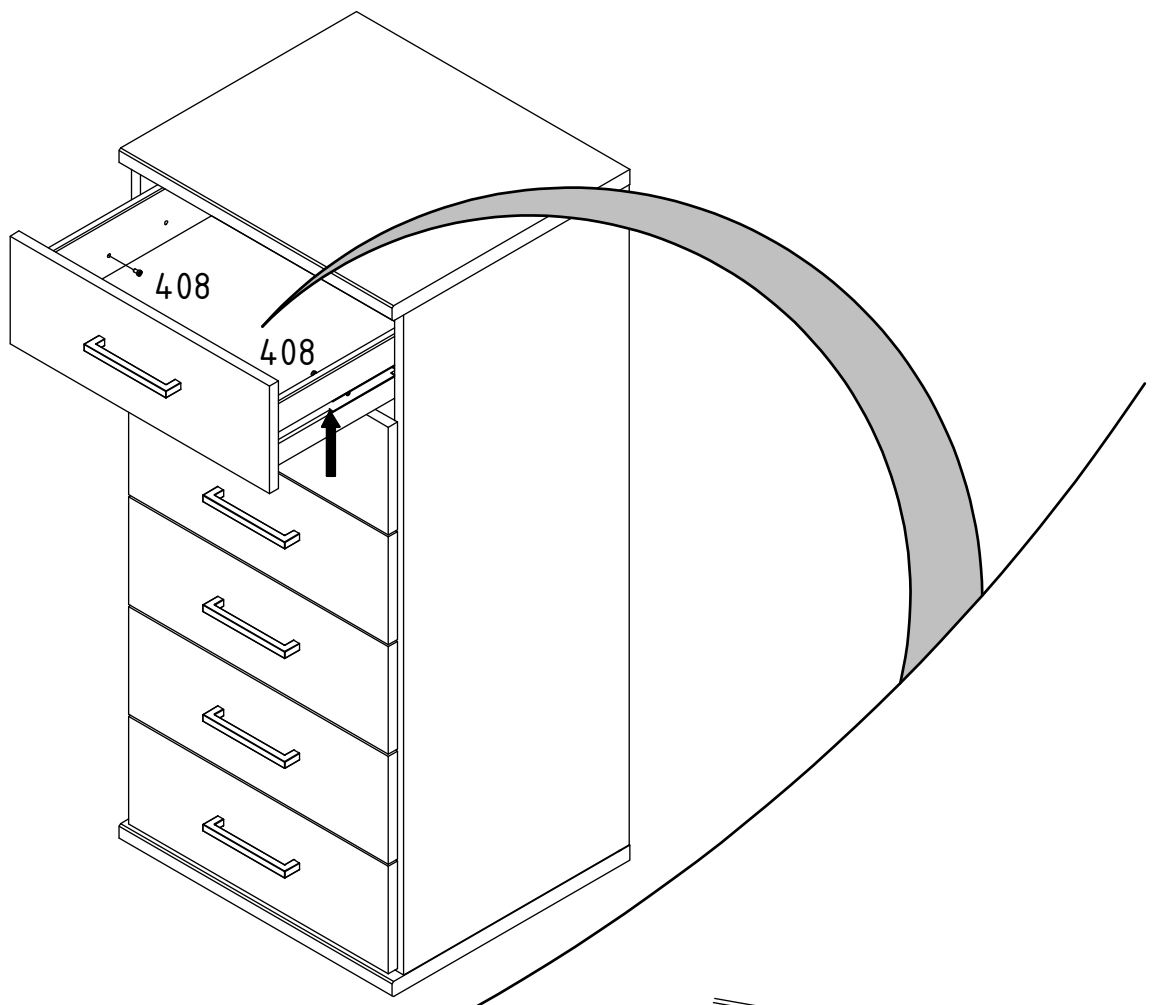
4x



4x







6x