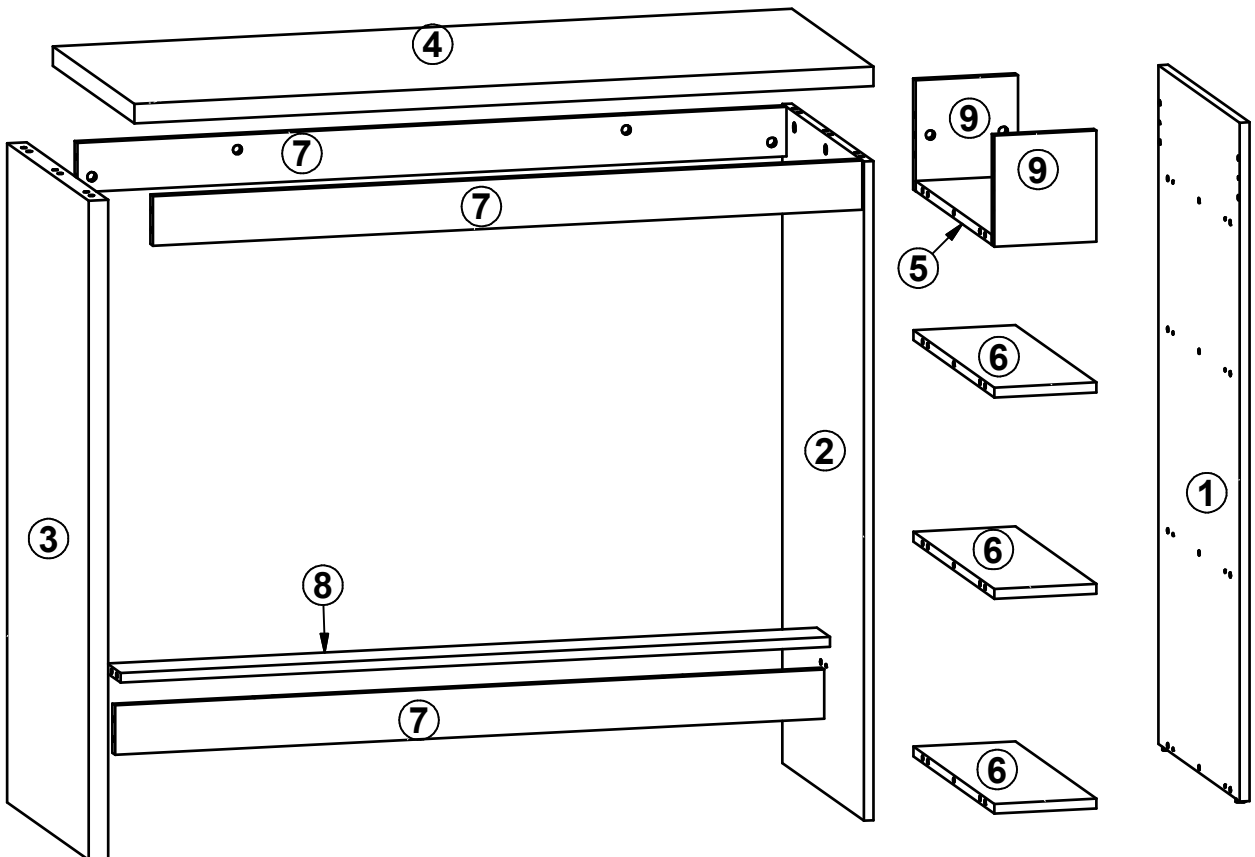
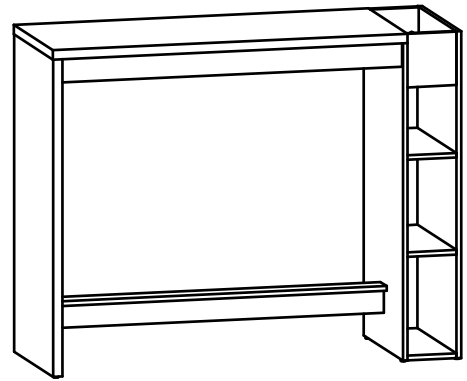
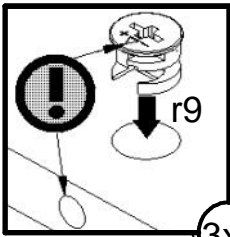


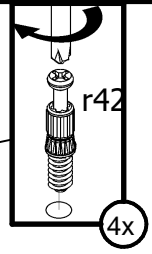
A	B	C1	C2	C3	D
1	S540-1016	1100	500	16	2/2
2	S540-1017	1068	500	16	2/2
3	S540-1018	1068	500	32	1/2
4	S540-2004	1216	501	32	1/2
9	S540-4501	180	168	16	2/2
5	S540-3016	467	168	16	2/2
6	S540-3017	498	168	16	2/2
7	S540-4008	1167	80	16	2/2
8	S540-4009	1167	80	16	2/2



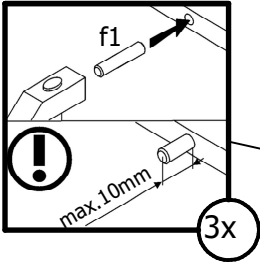
1



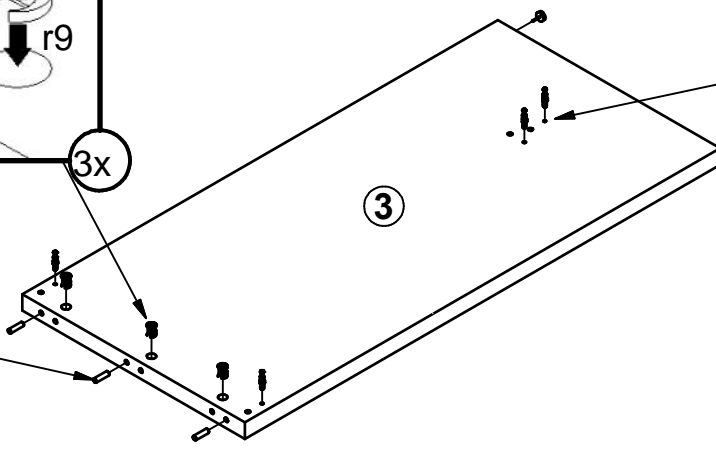
3x



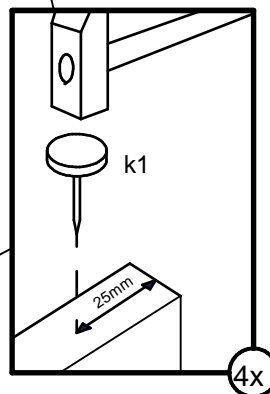
4x



3x

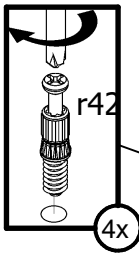


3

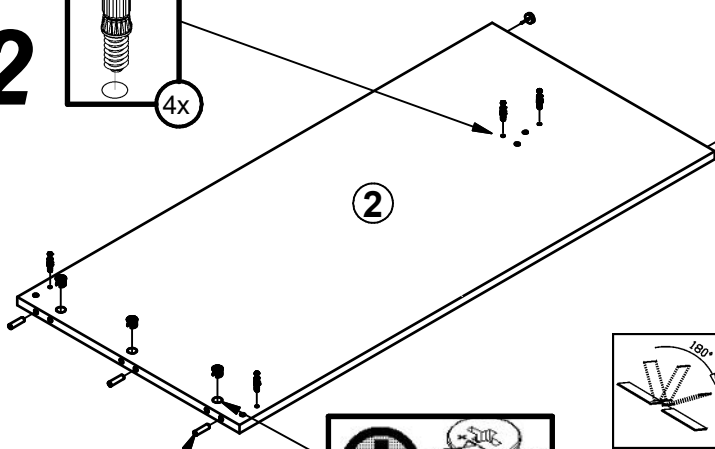


4x

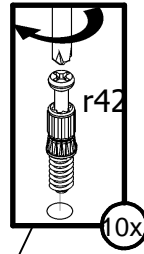
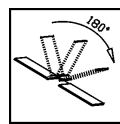
2



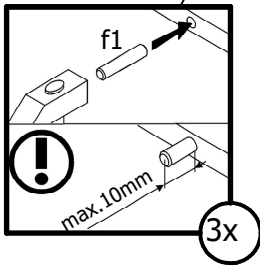
4x



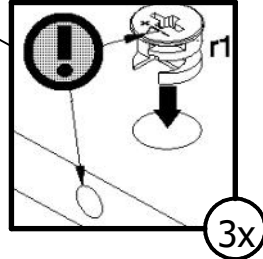
2



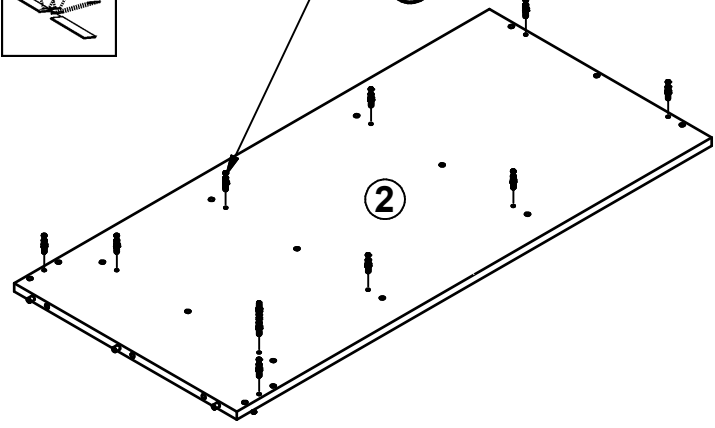
10x



3x

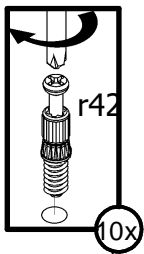


3x

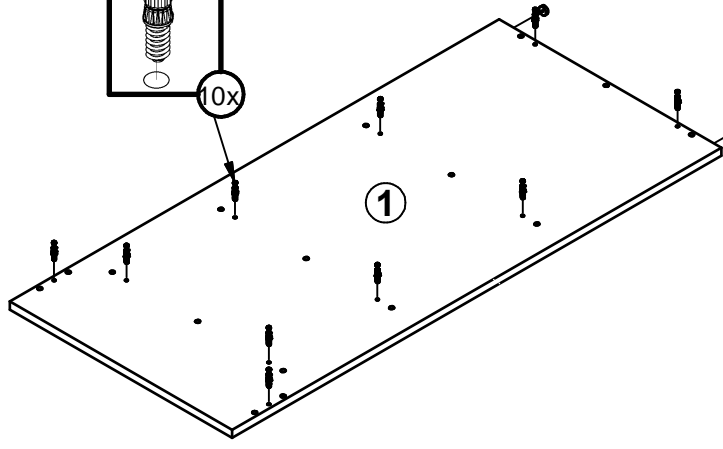


2

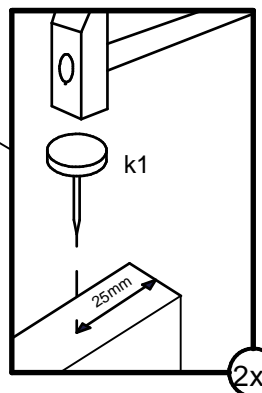
3



10x

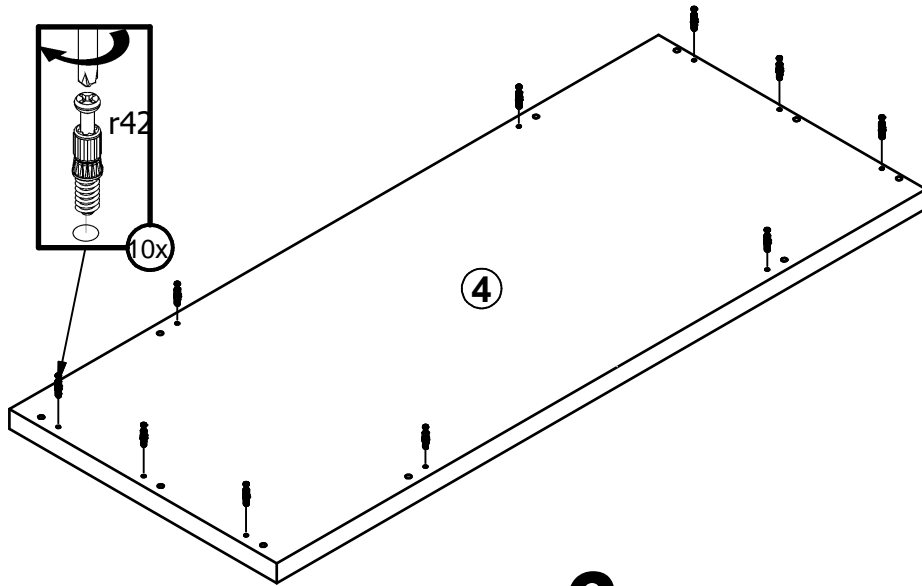


1



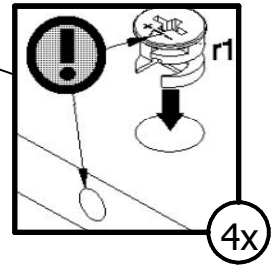
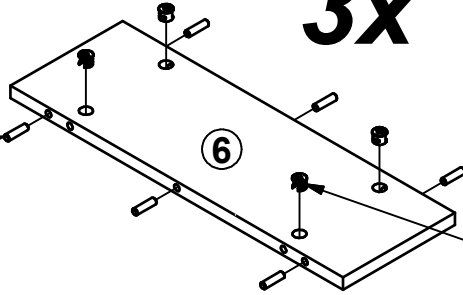
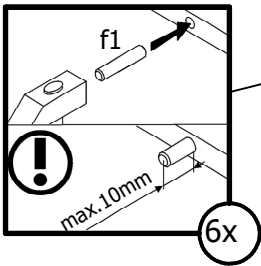
2x

4

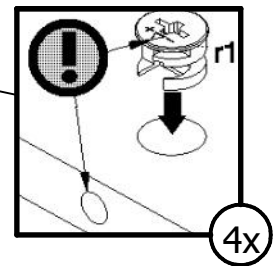
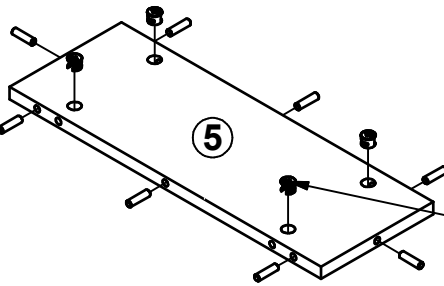
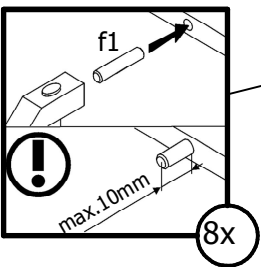


5

3x

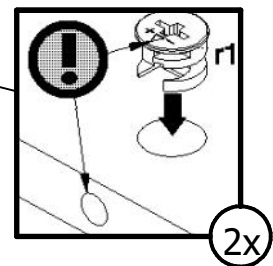
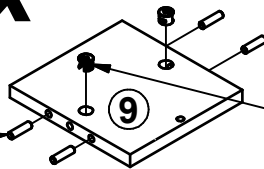
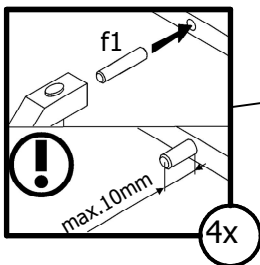


6

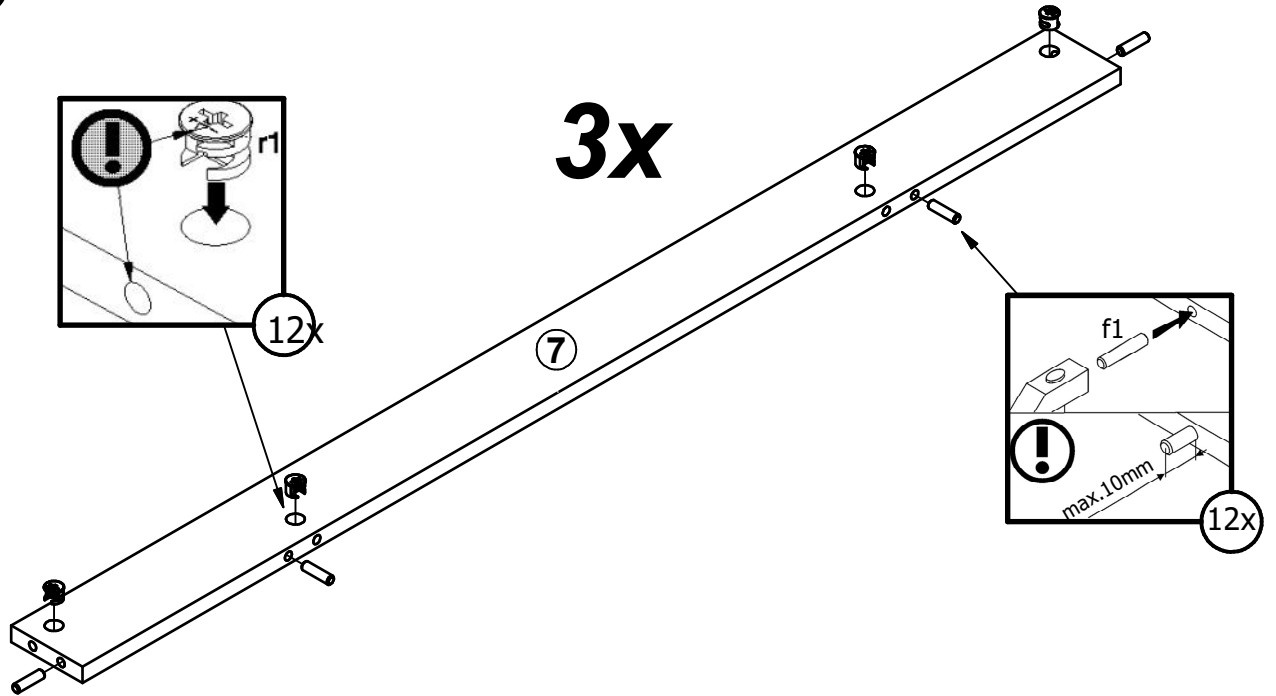


7

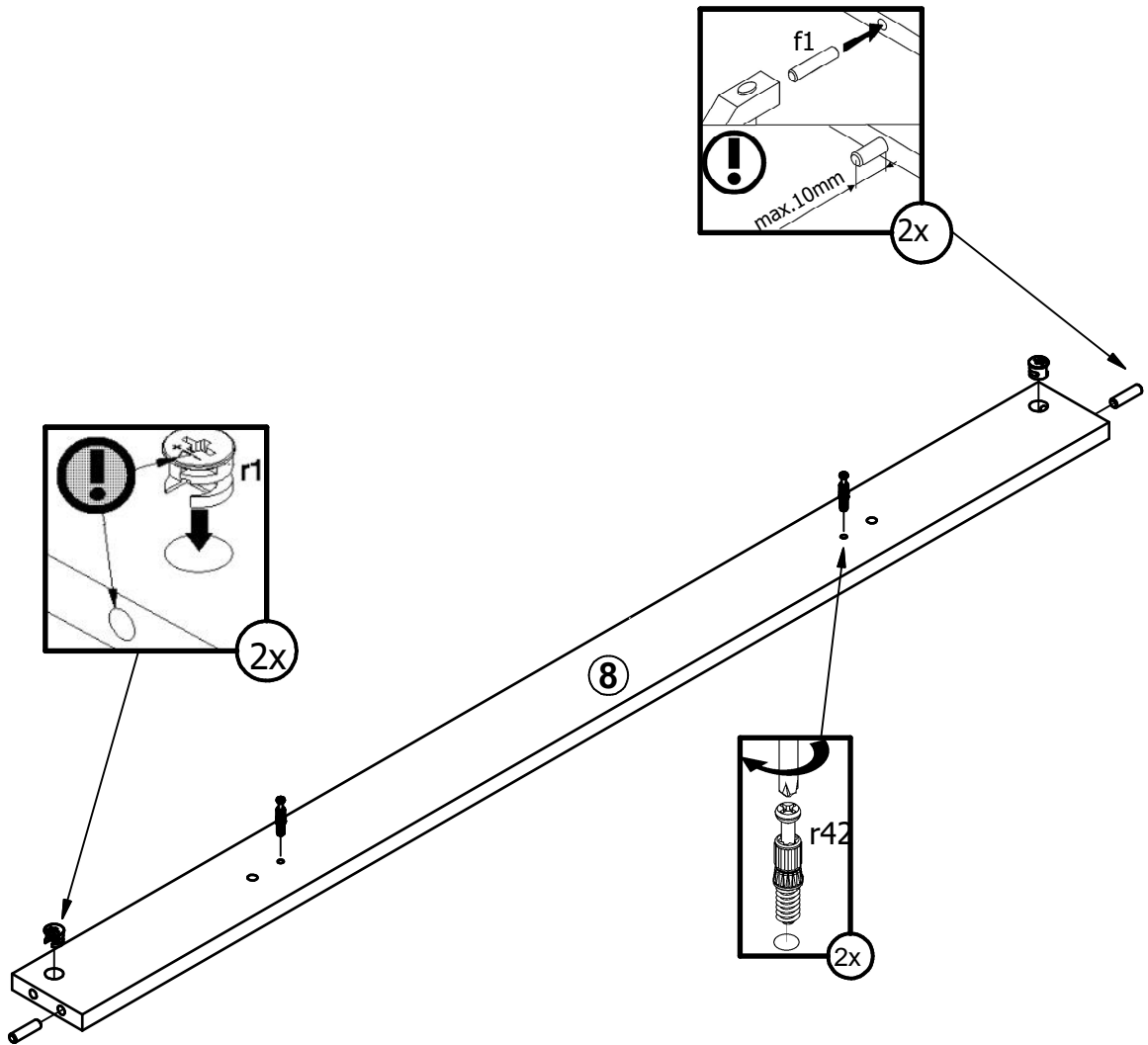
2x



8

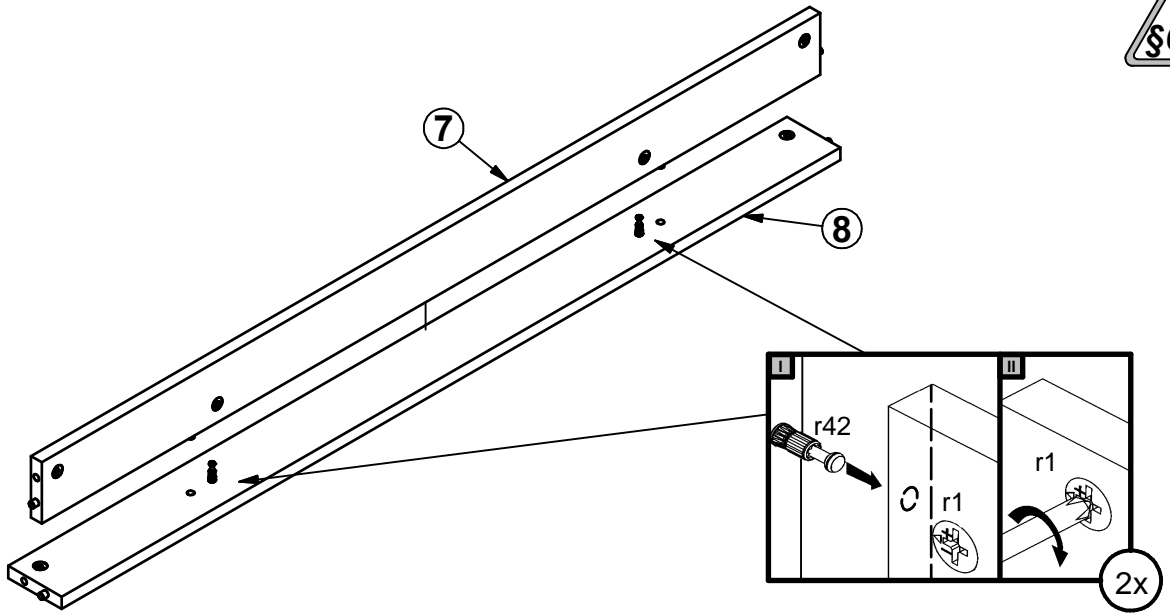


9

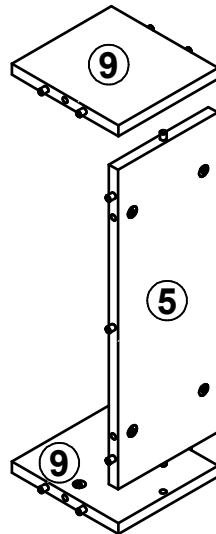




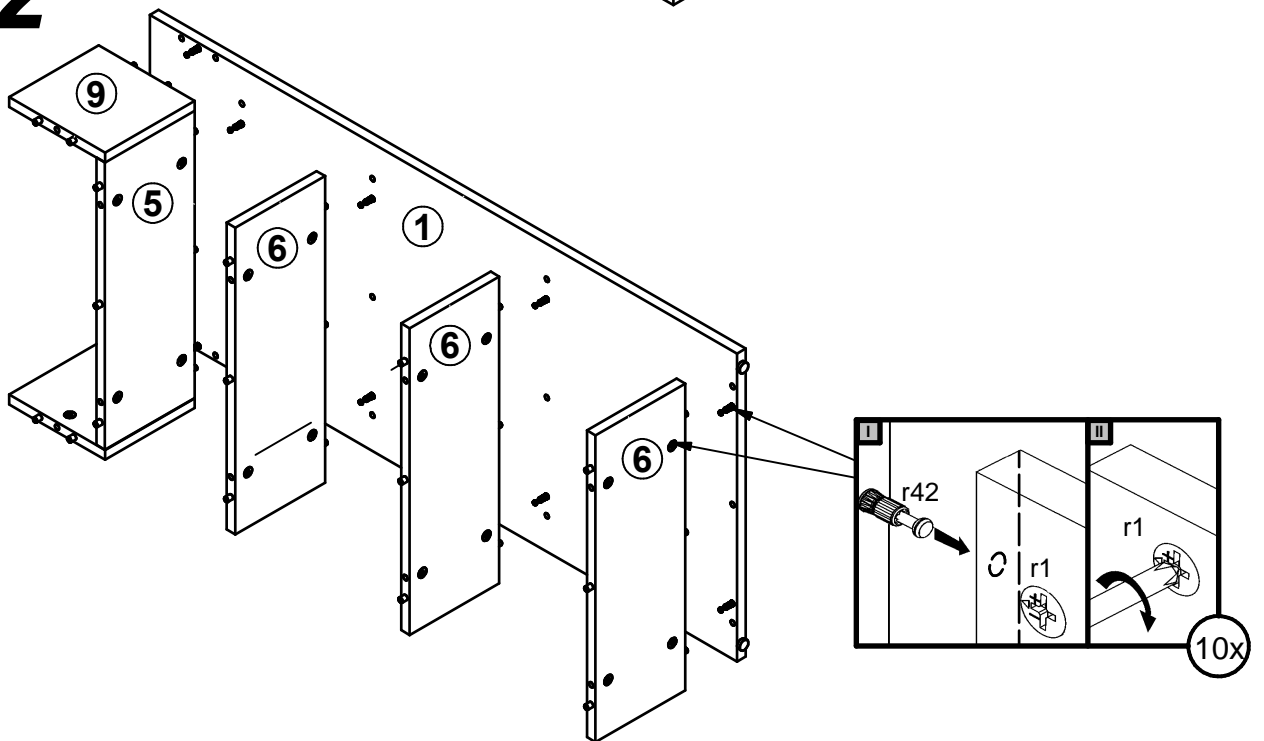
10



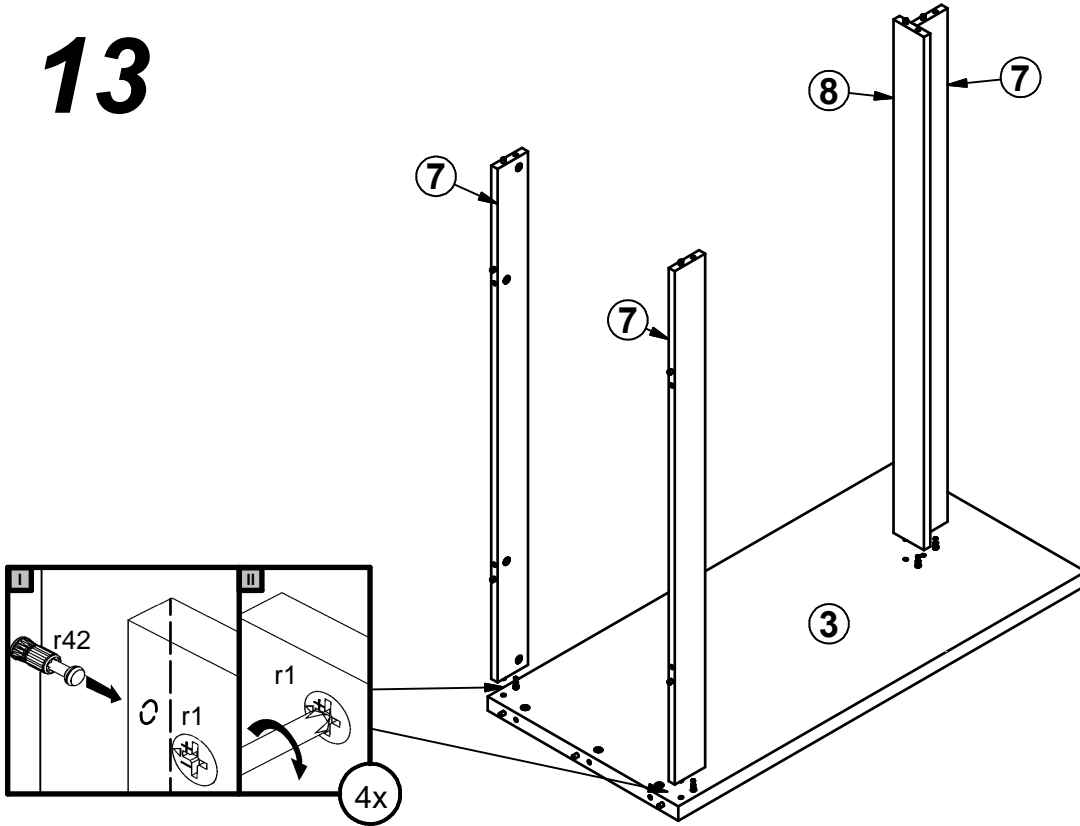
11



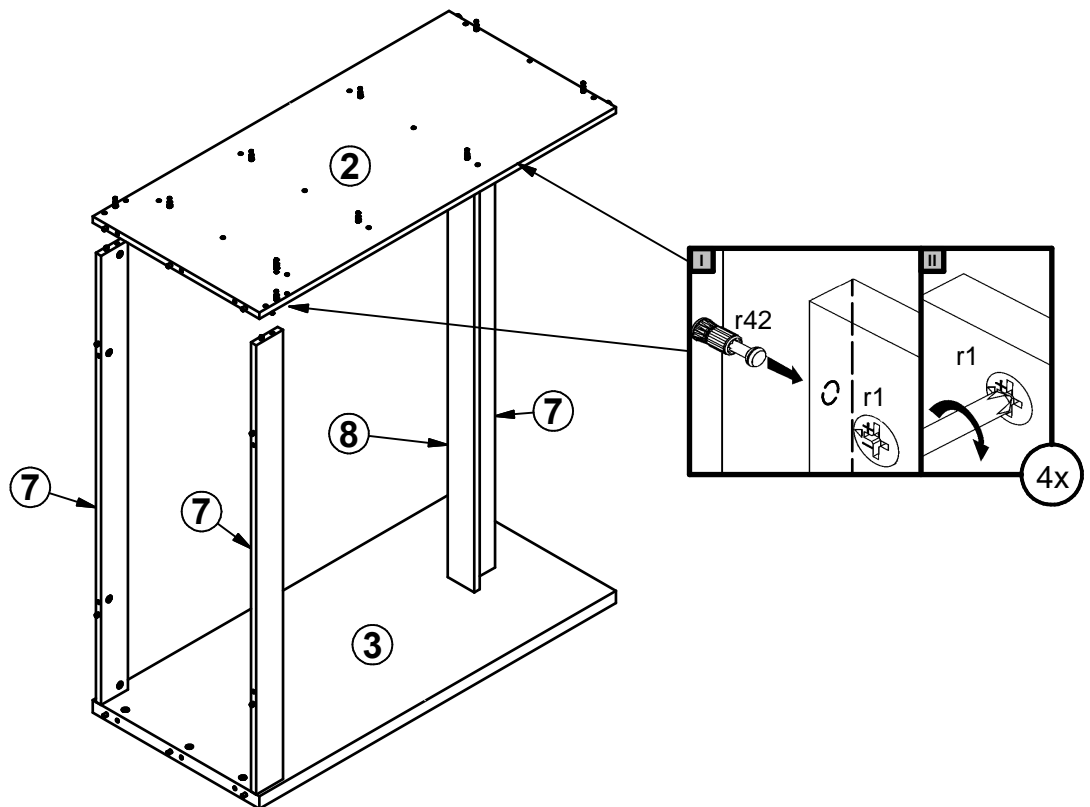
12



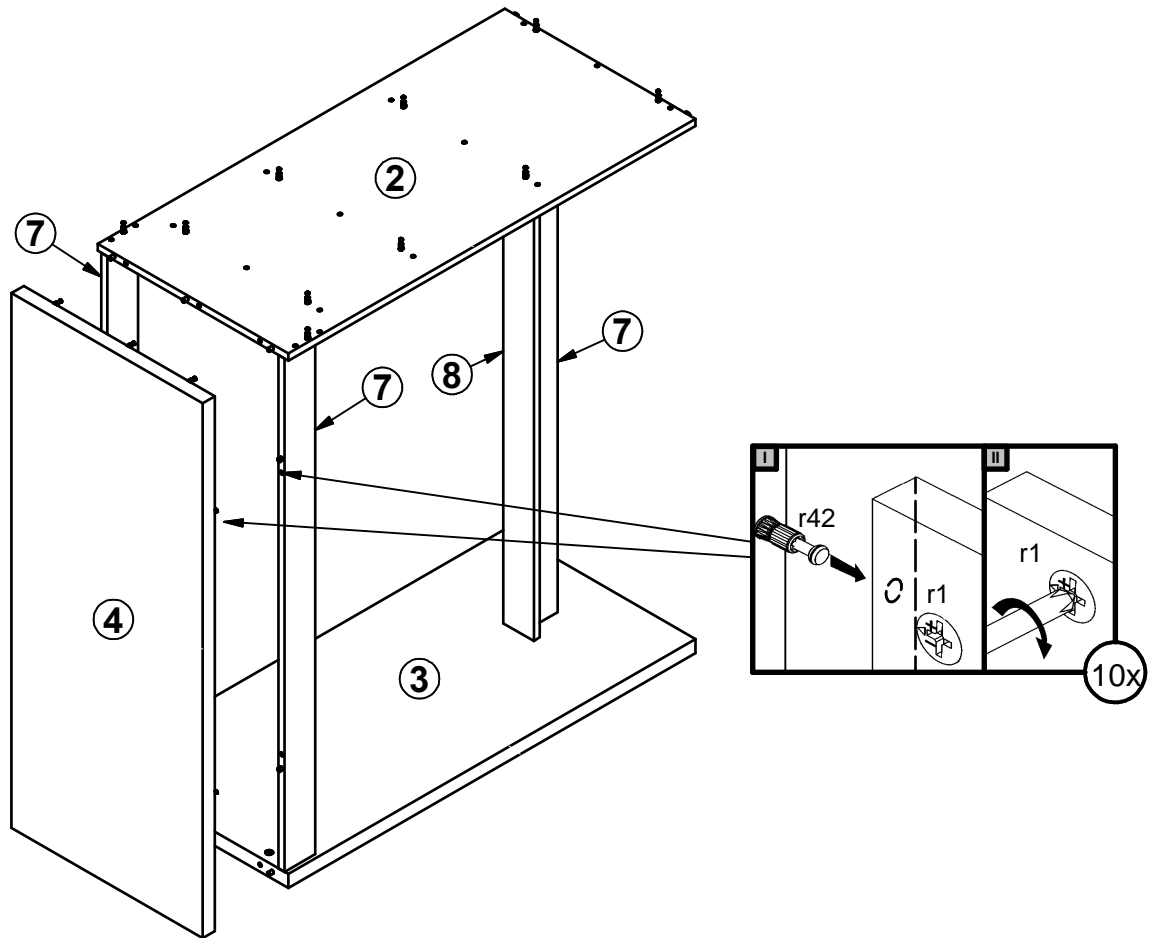
13



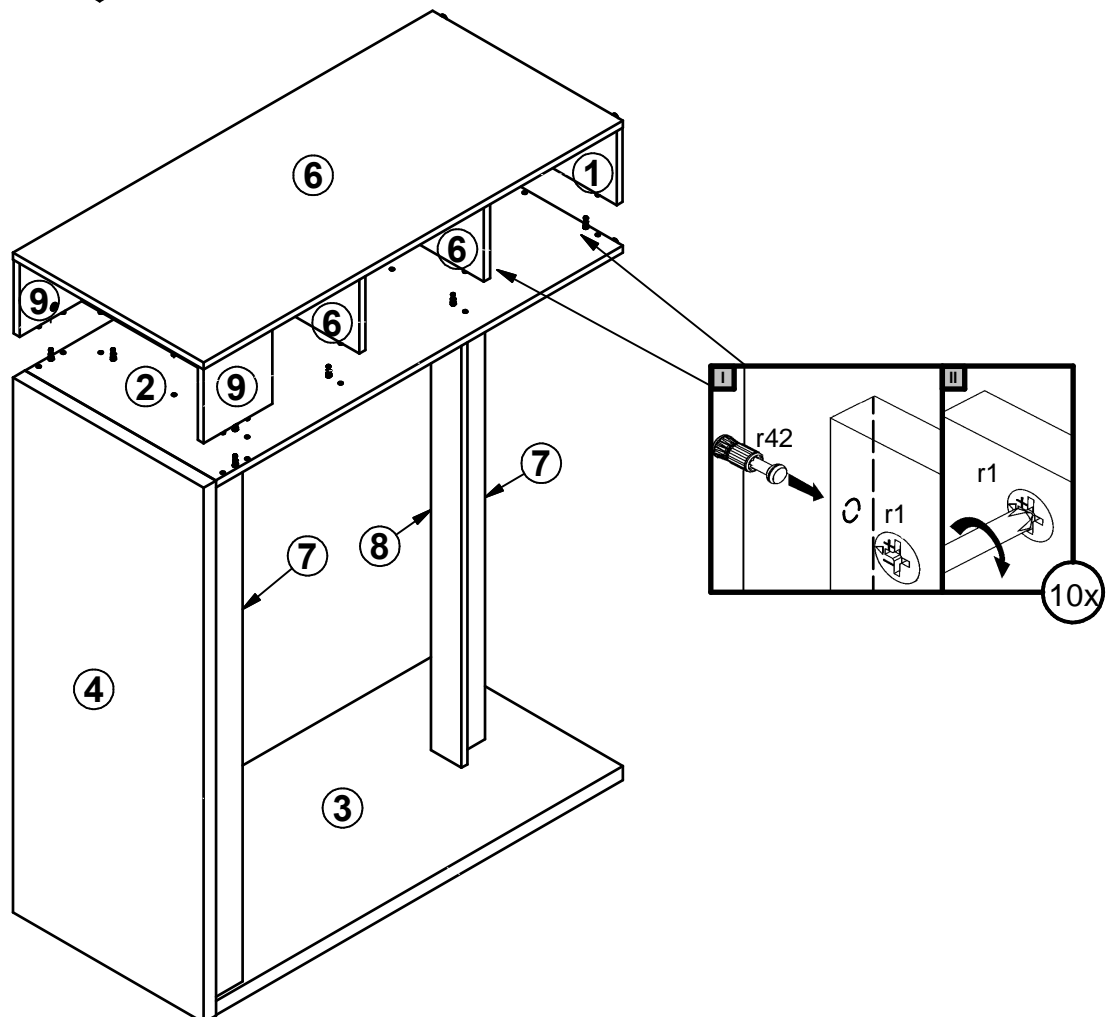
14



15



16



17

