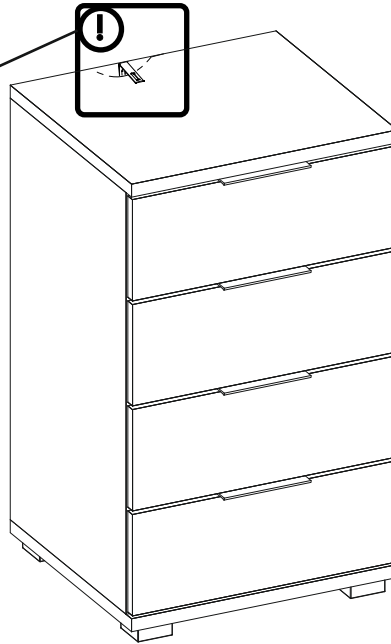
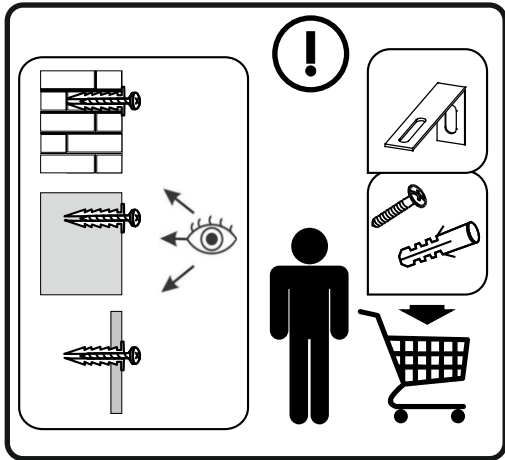
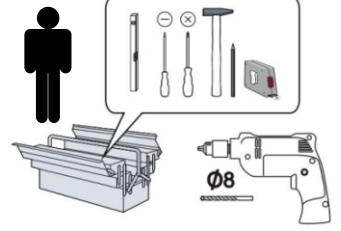
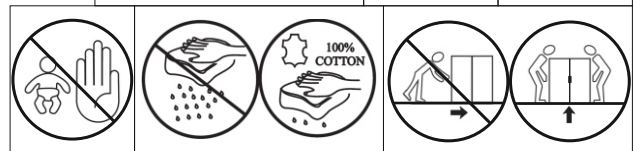
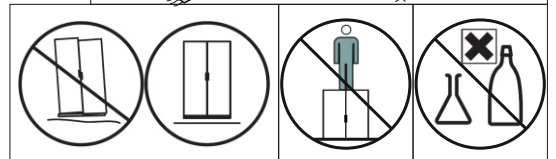
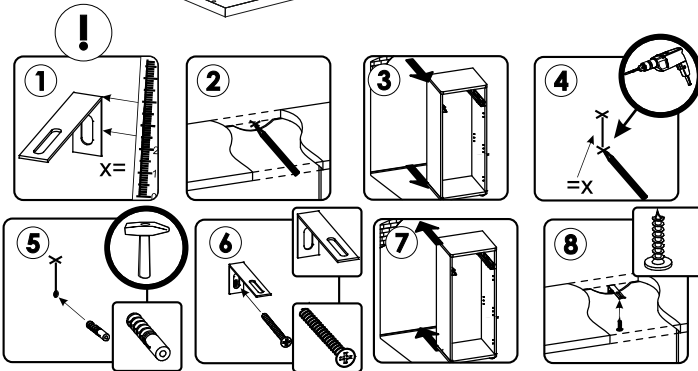
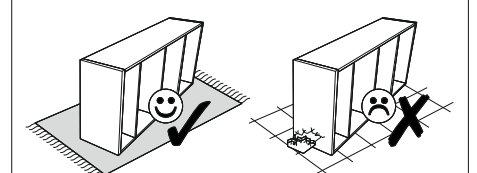
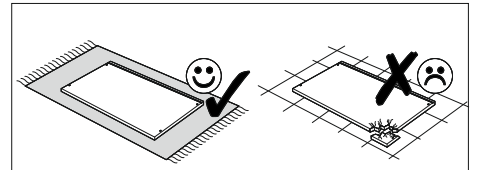
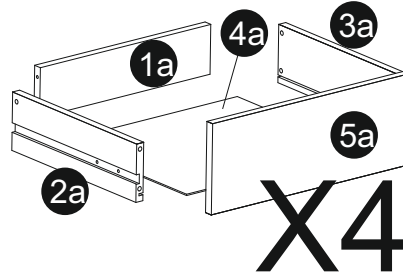
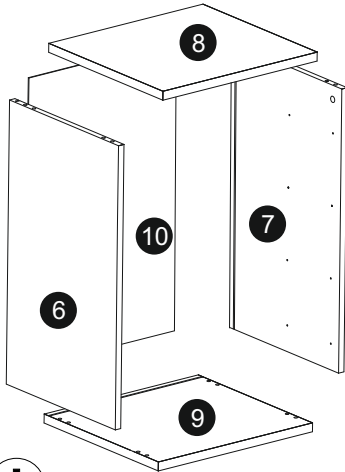




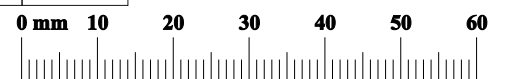
wyprodukowano dla / made for / produziert für  
**BEGA GRUPPE**  
 producent: **MEBLE OKMED POLAND**



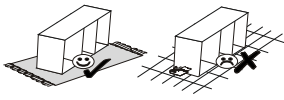
1/1			
	<b>1a</b>	16x85x395	X4
	<b>2a</b>	12x100x350	X4
	<b>3a</b>	12x100x350	X4
	<b>4a</b>	3x405x355	X4
	<b>5a</b>	16x172x454	X4
	<b>6</b>	16x401x715	X1
	<b>7</b>	16x401x715	X1
	<b>8</b>	22x460x420	X1
	<b>9</b>	22x460x420	X1
	<b>10</b>	3x444x731	X1



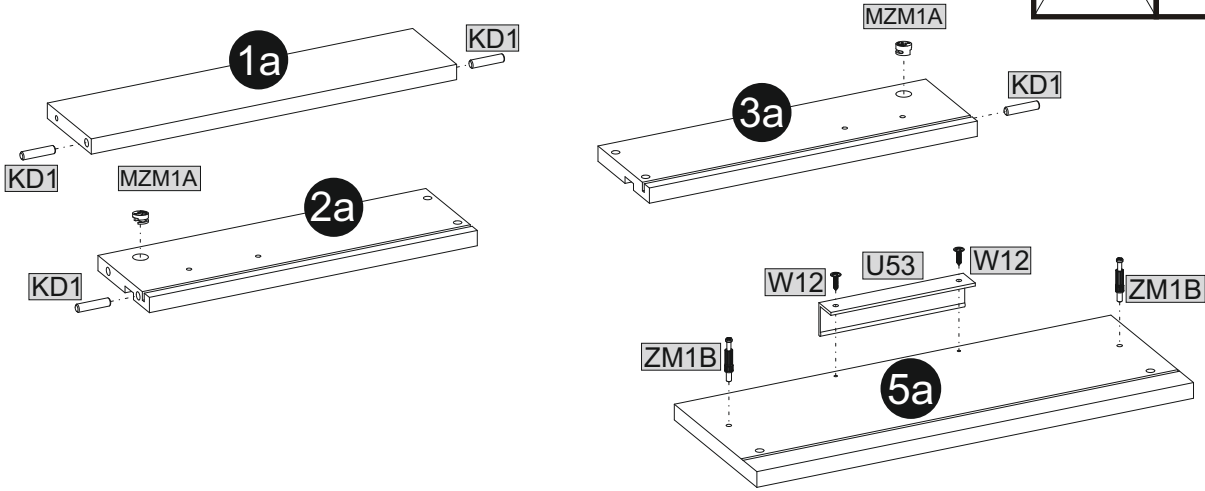
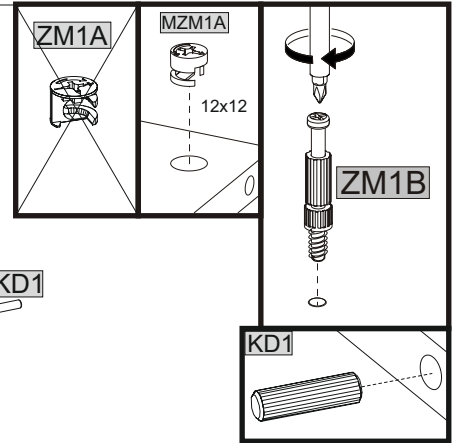
KK1 X1	K1 X12	ZM1B X12	ZM1A X4	MZM1A X8	
KD1 X24	KSK1 X1	W1 X16	S1 X10	SS2 X4	W7 X8
W12 X8	U53 X4	SR4 X8	PKU2 X8	ME1 X16	



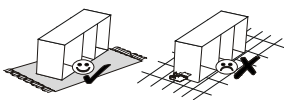
**01**  
**X4**



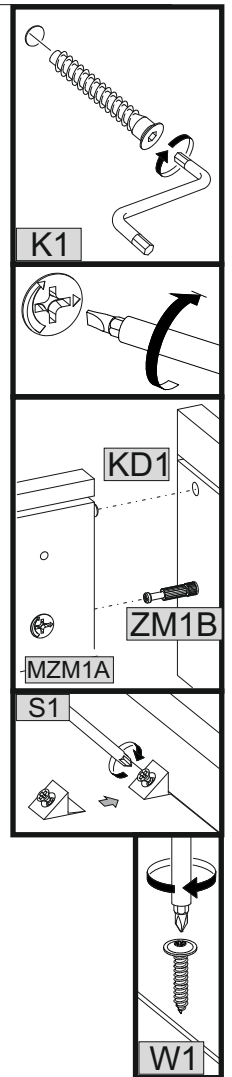
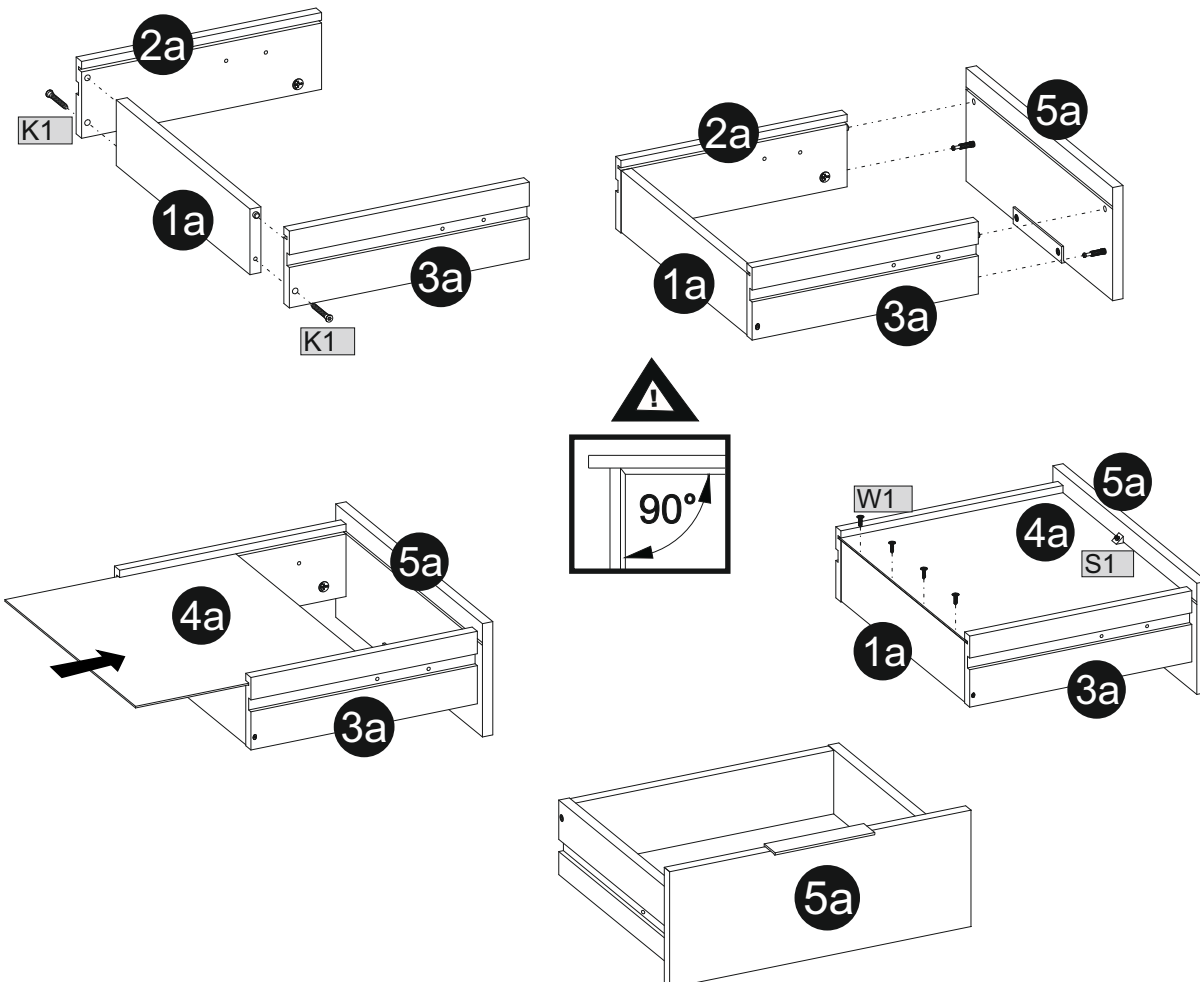
	12x12		8x35		
MZM1A	2	KD1	4	ZM1B	2



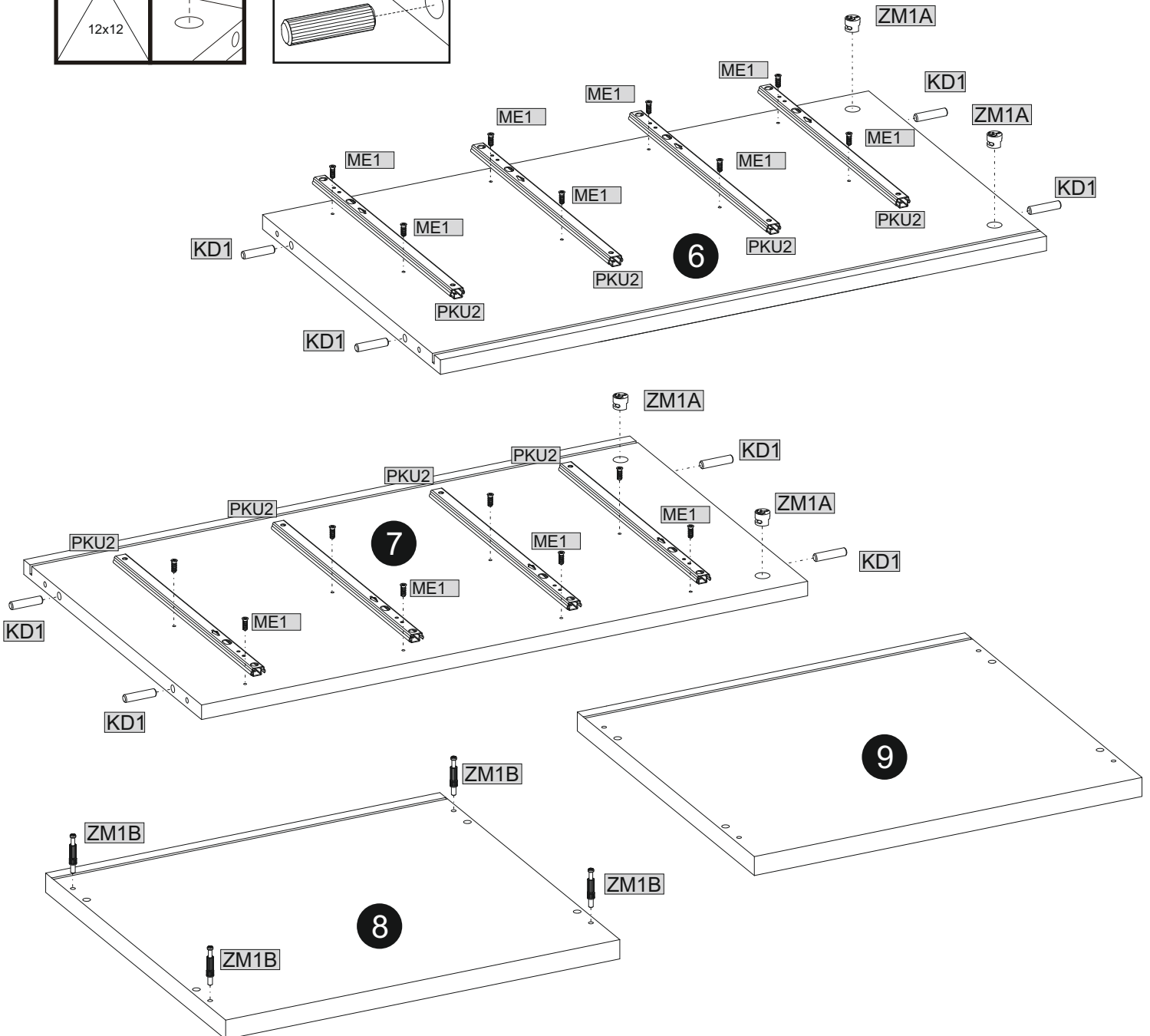
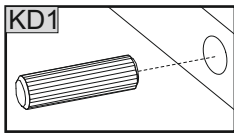
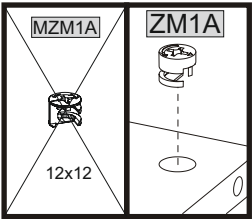
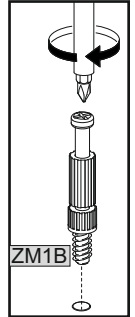
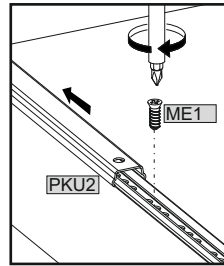
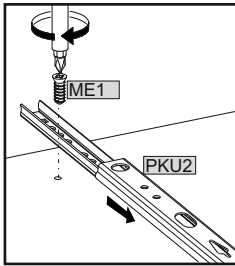
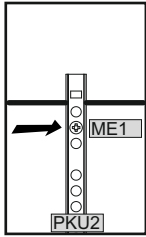
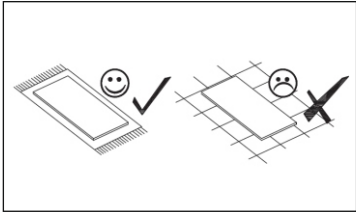
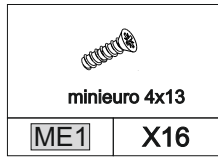
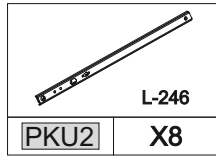
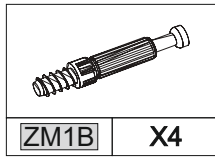
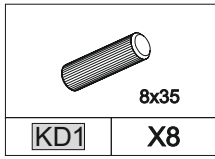
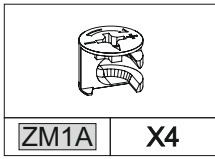
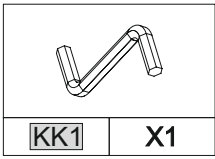
**02**  
**X4**



	7x50		3x16				
K1	2	W1	4	KK1	1	S1	1
			4x30				
U53	1	WU	2				



## 02



## 03

