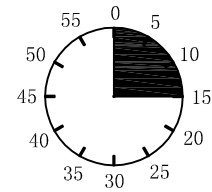
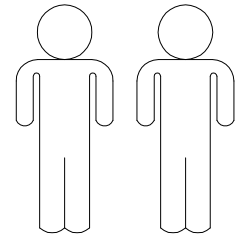
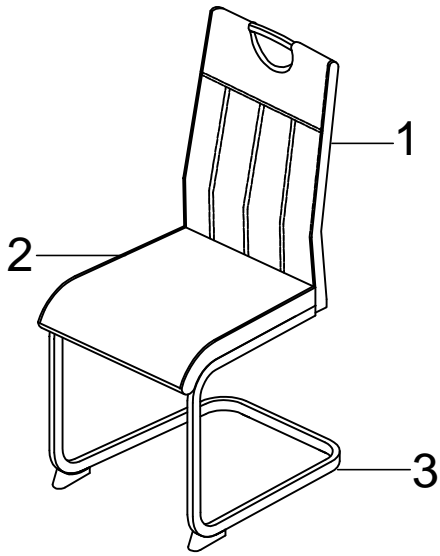


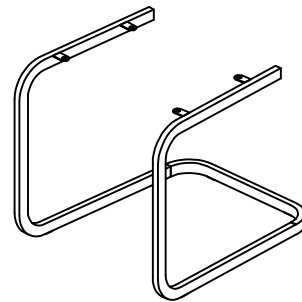
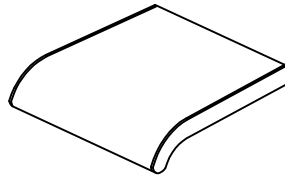
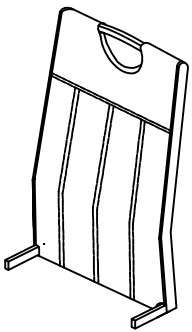
Britta



1

2

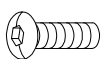
3



1	1X
2	1X
3	1X

A

M6*12



4X

B

M6*18



4X

C

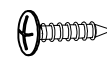
Ø18*Ø6.5*1.5



4X

D

M4*20



4X

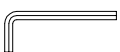
E



2X

F

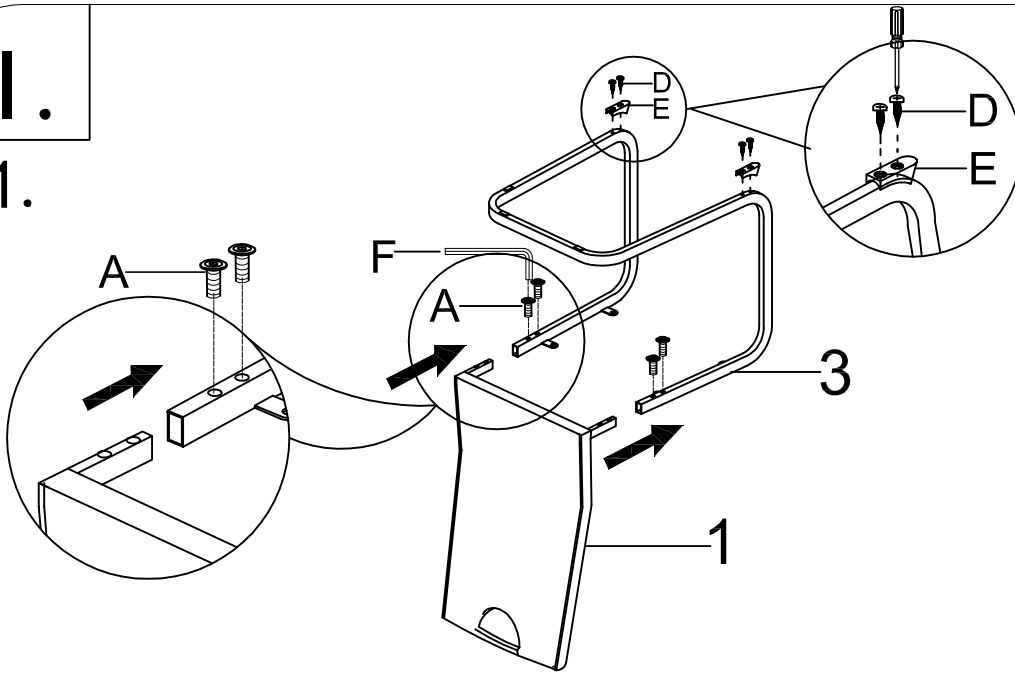
4mm



1X

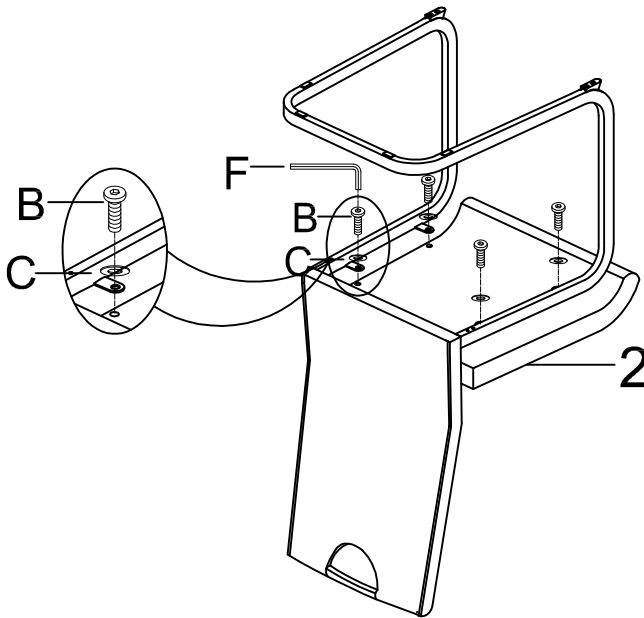
I.

1.



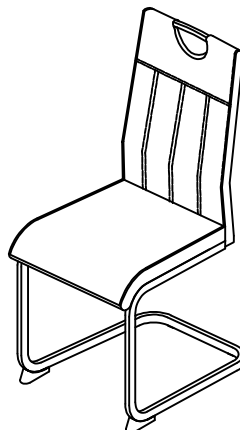
- A M6*12 4X
 - D M4*20 4X
 - E 2X
 - F 4mm 1X
- 75%

2.



- B M6*18 4X
 - C Ø18*Ø6.5*1.5 4X
 - F 4mm 1X
- 75%

3.



- F 4mm 1X
- 100%

