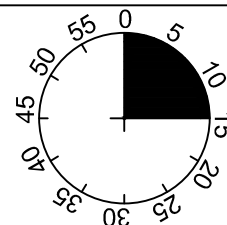
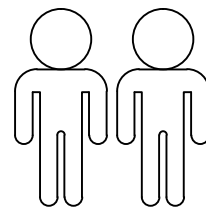
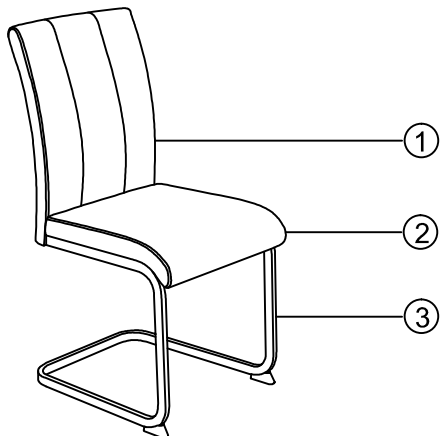


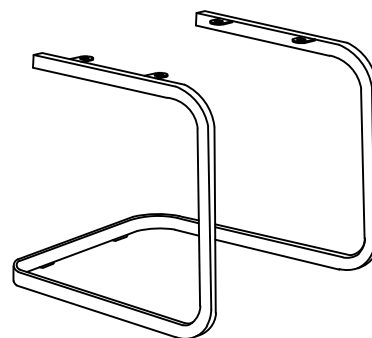
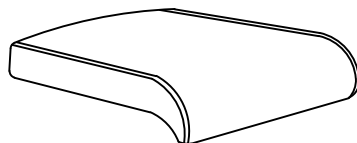
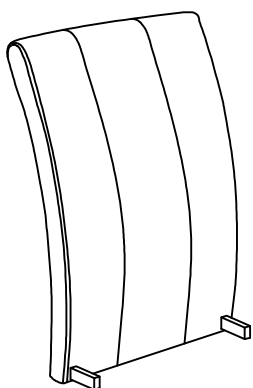
Linn



1

2

3



| | |
|---|----|
| 1 | 1x |
| 2 | 1x |
| 3 | 1x |

| | | | | | | | | | | | |
|---|-------|---|-------|---|------------|---|-----|---|-------|---|----|
| A | M6X20 | B | M6X12 | C | Ø18xØ6x1.5 | D | 4MM | E | M4x25 | F | |
| | 4x | | 4x | | 4x | | 1x | | 4x | | 2x |

I.

1

E M4x25
4x

F
2x

100%

2

B M6x12
4x

D 4MM
1x

75%

3

A M6x20
4x

C Ø18xØ6x1.5
4x

D 4MM
1x

75%

4

D 4MM
1x

100%

