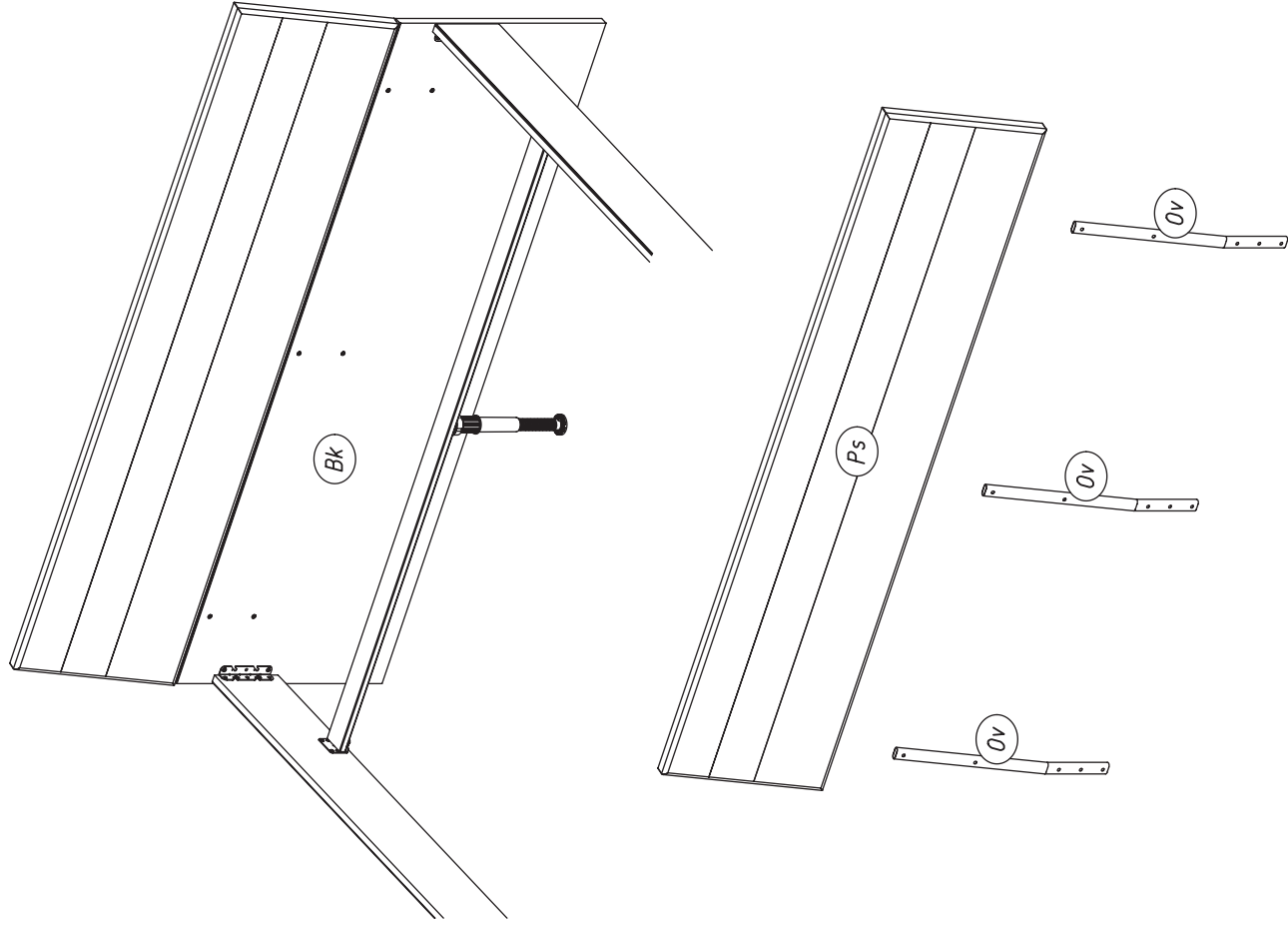


1.

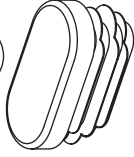
MZ004\_01

rauch



2.

114



203



4x30

580



M4x15

582

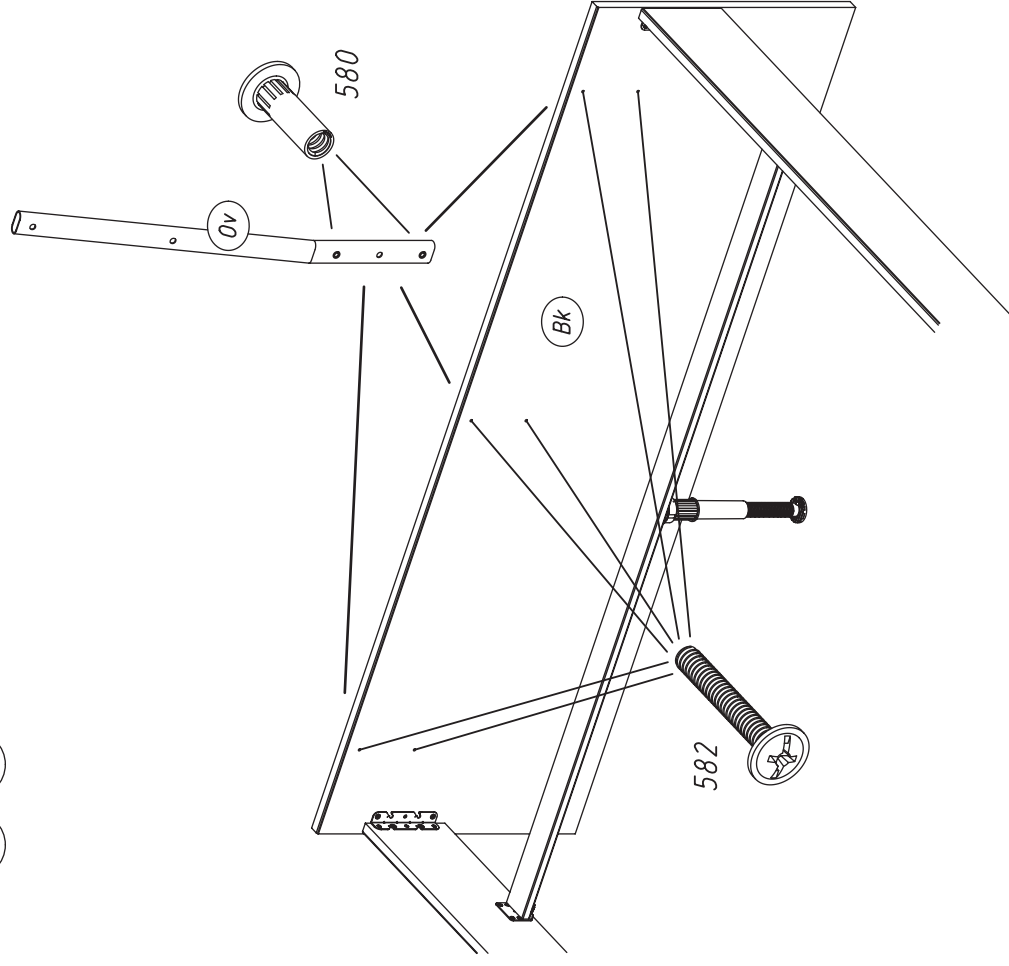


M4x28

1

580

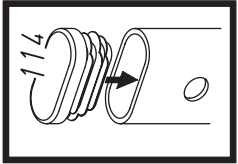
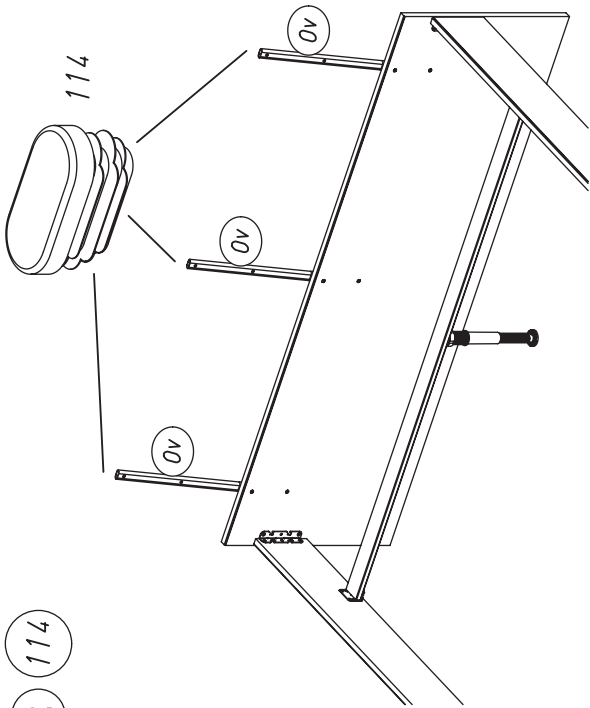
582



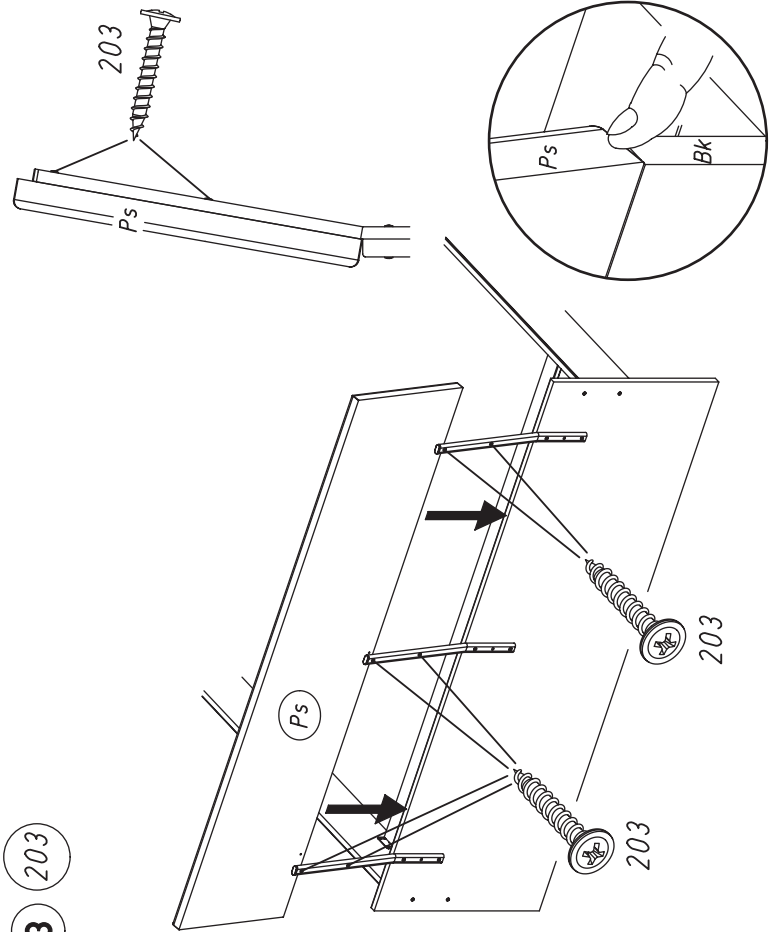
MZ004

3.

2 114



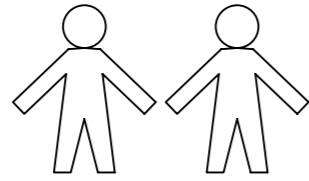
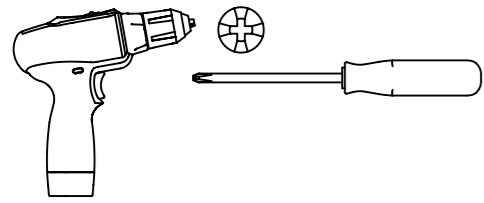
3 203



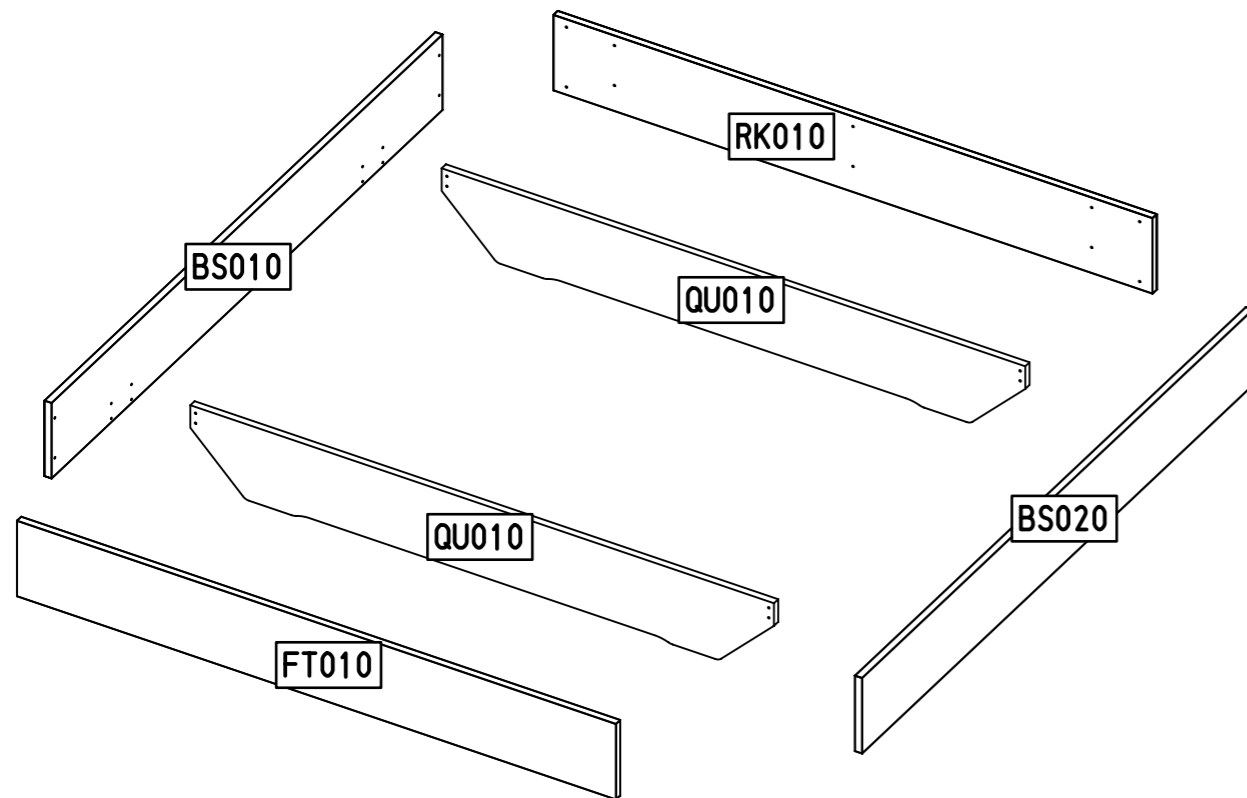
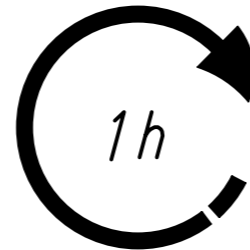
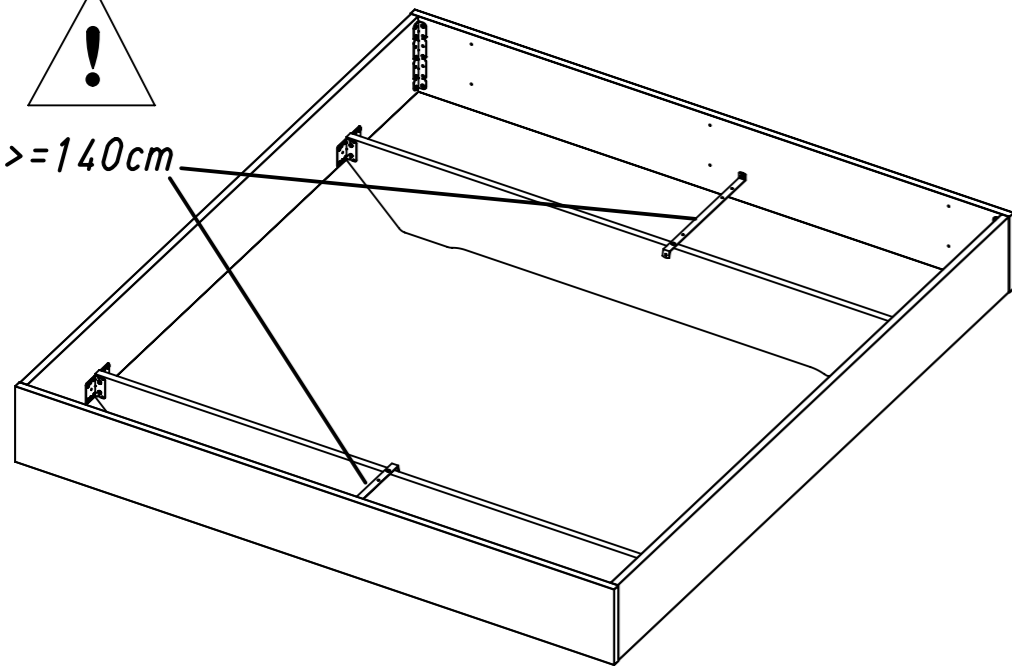
1.

M2361\_02

rauch

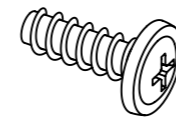


$\geq 140\text{cm}$



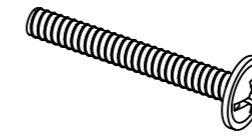
2.

30x (25)



6,3x18

8x (56)



M4x32

8x (176)



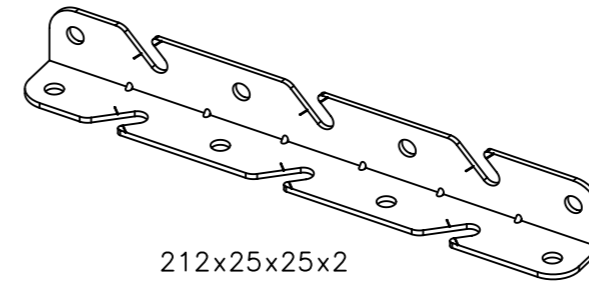
M4

30x (202)



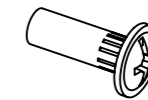
4.5x16

4x (456)



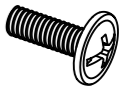
212x25x25x2

4x (580)



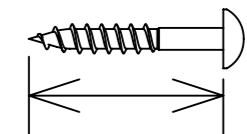
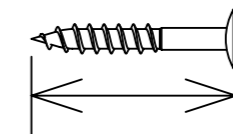
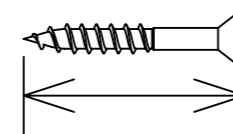
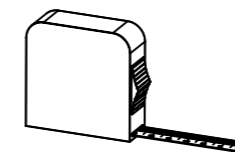
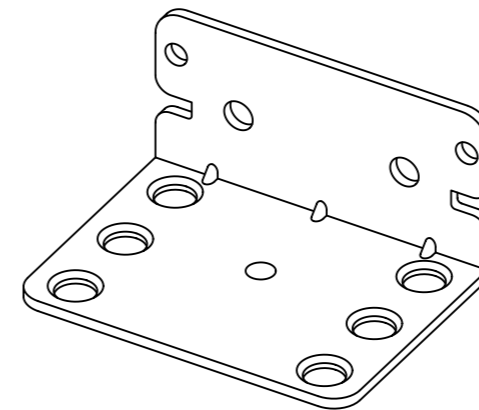
M4x15

4x (803)



M4x12

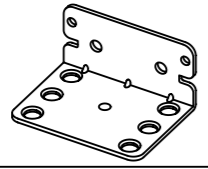
8x (856)



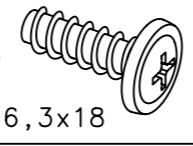
3.

1

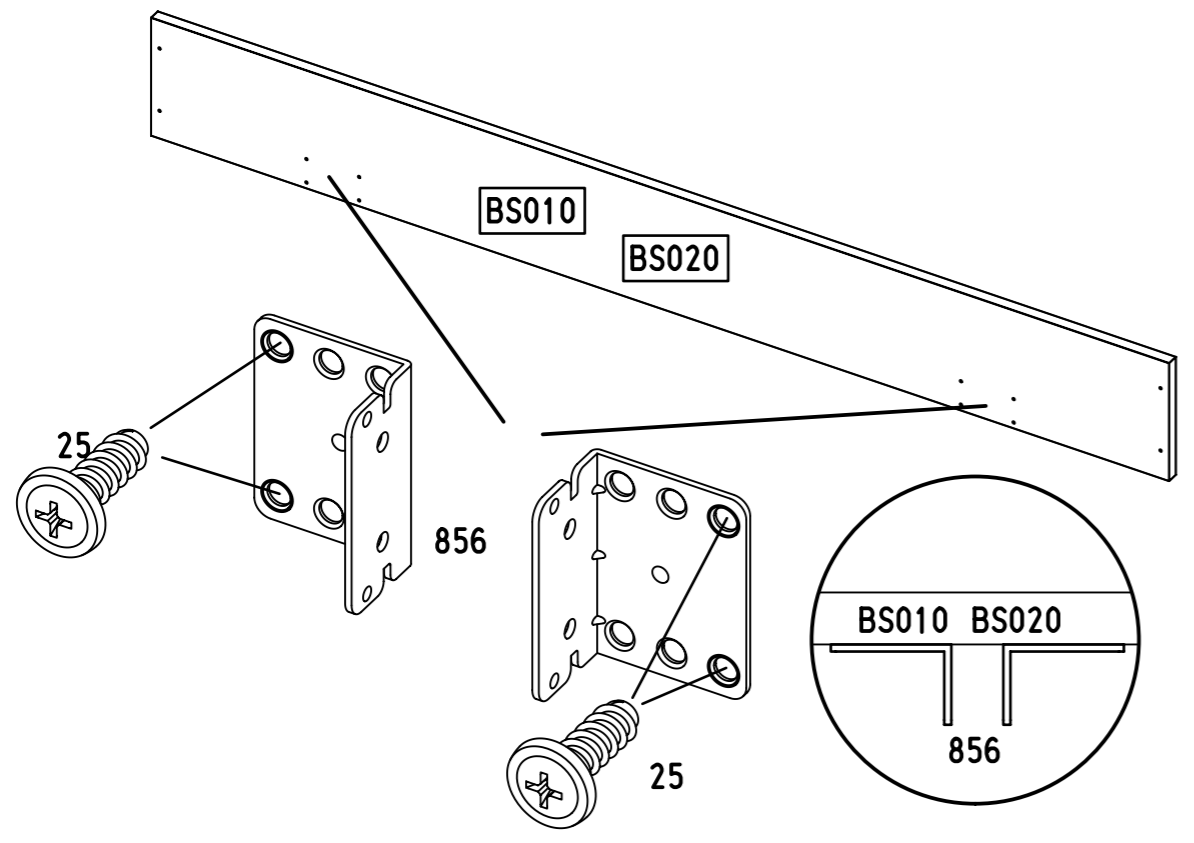
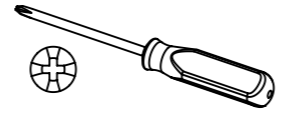
8x 856



16x 25

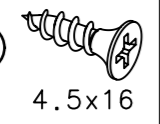


6,3x18

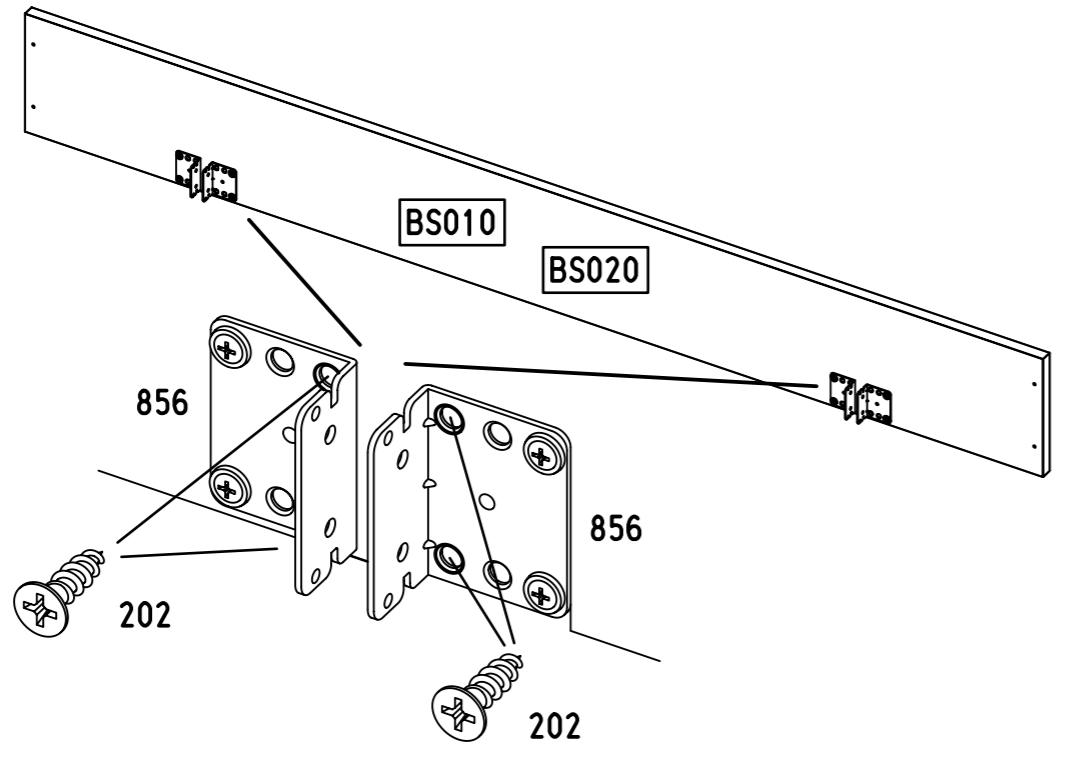
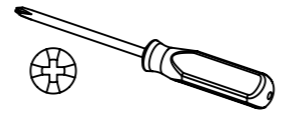


2

16x 202



4.5x16

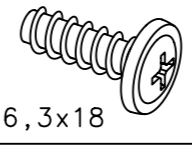


M2361

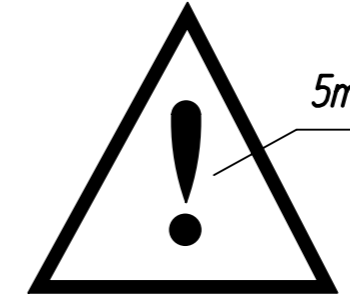
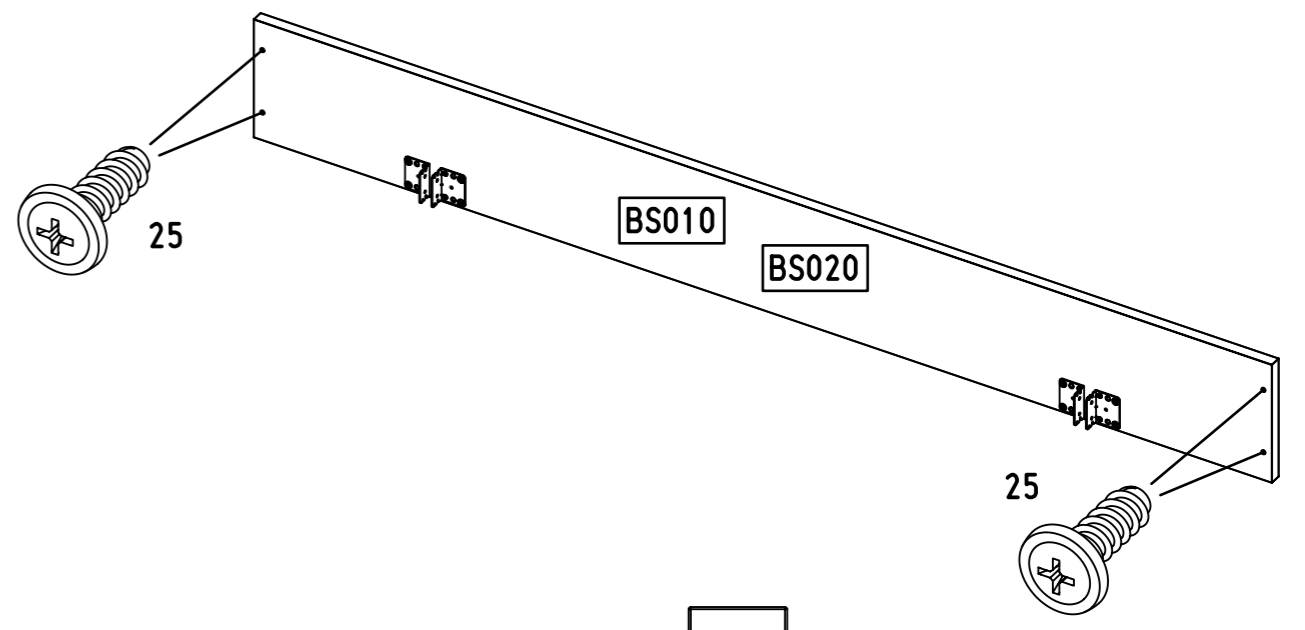
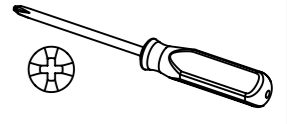
4.

3

8x 25



6,3x18



5mm

25

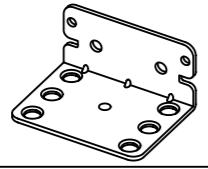
BS010  
BS020

25

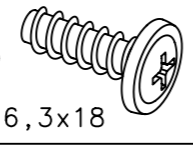
M2361

1

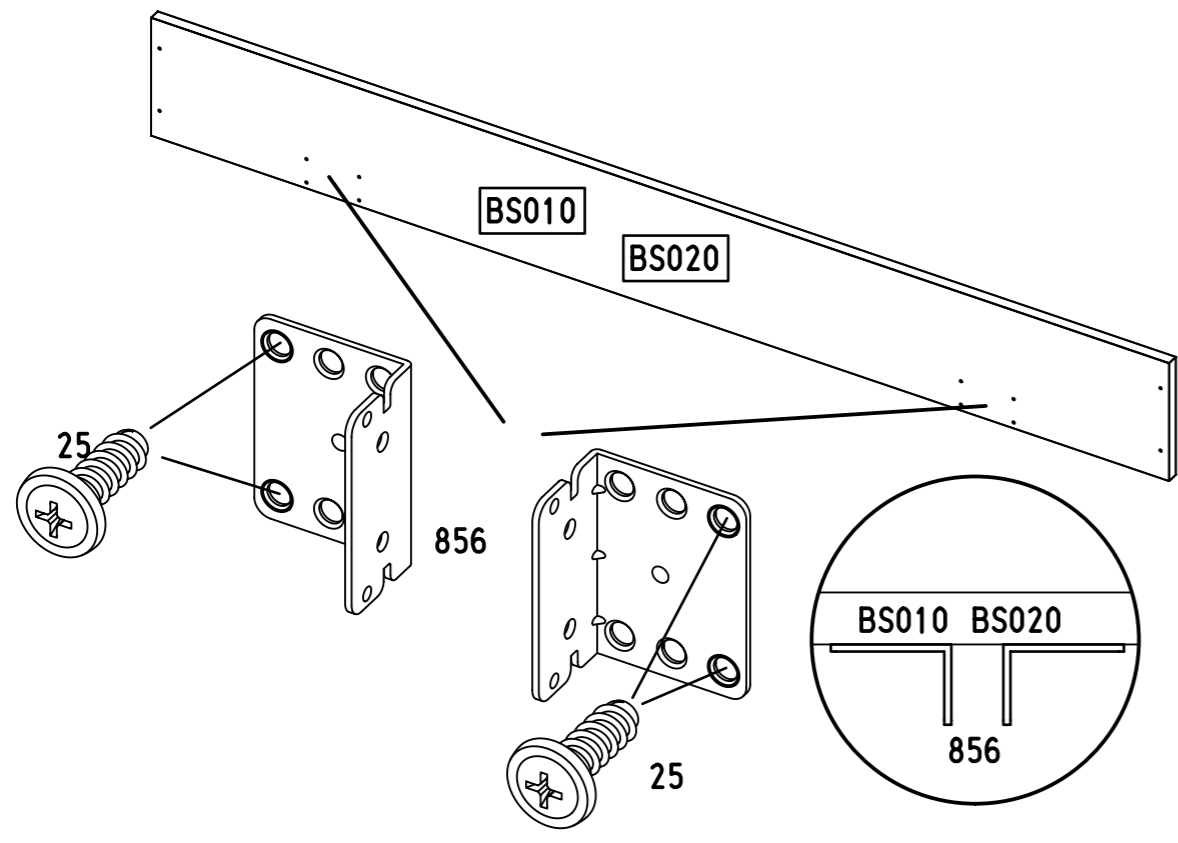
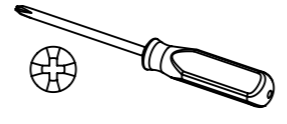
8x 856



16x 25



6,3x18

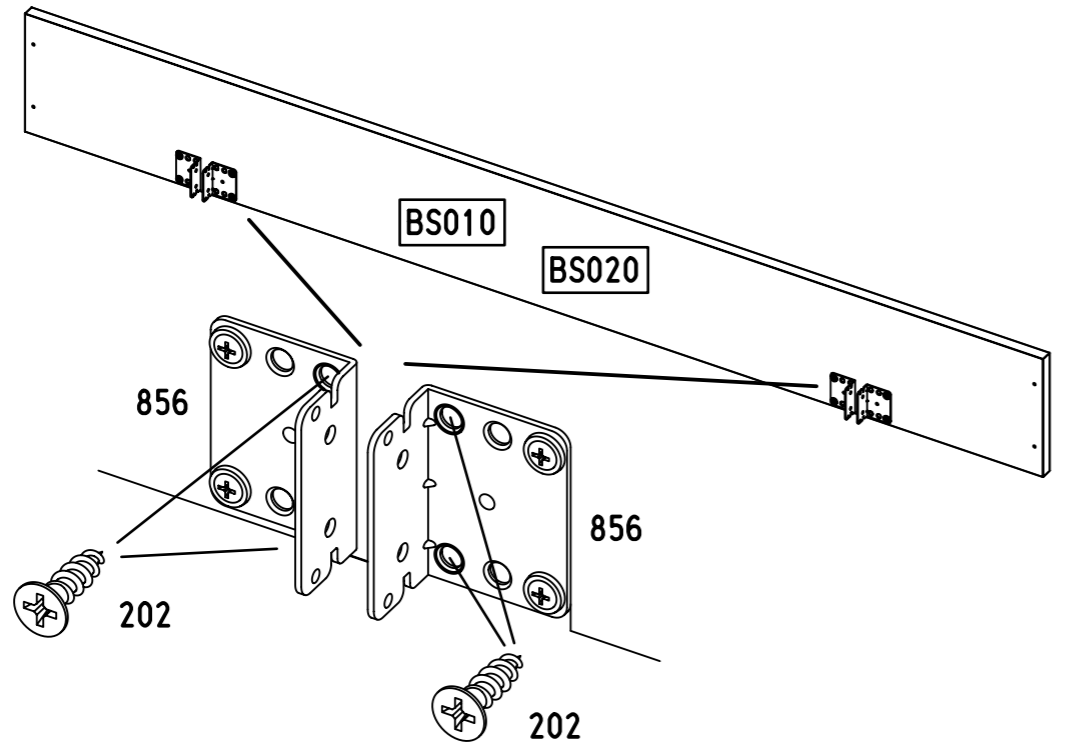
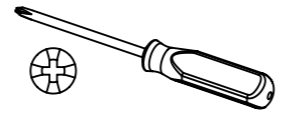


2

16x 202

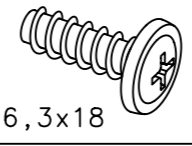


4.5x16

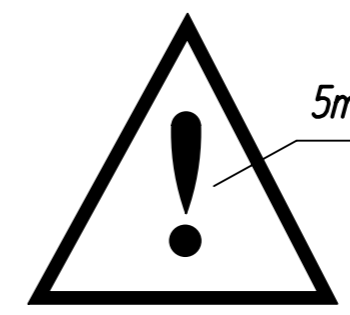
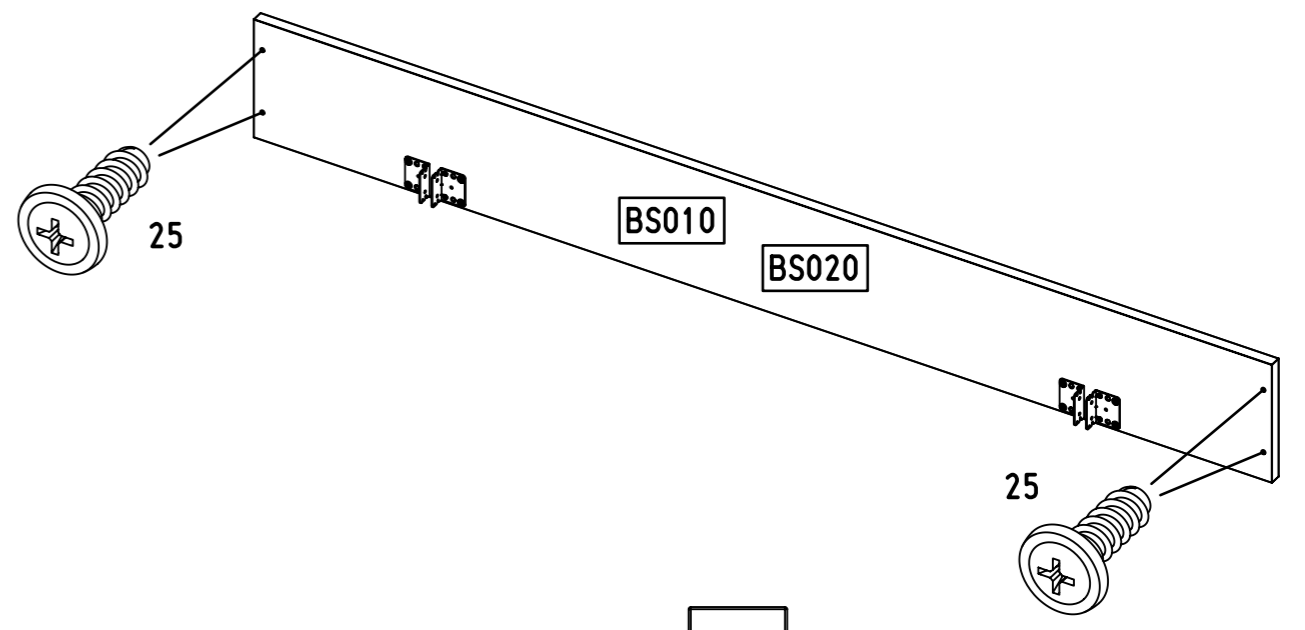
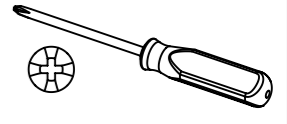


3

8x 25



6,3x18



5mm

25

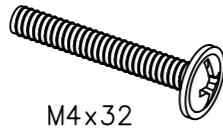
BS010  
BS020

25

5.

4

8x 56

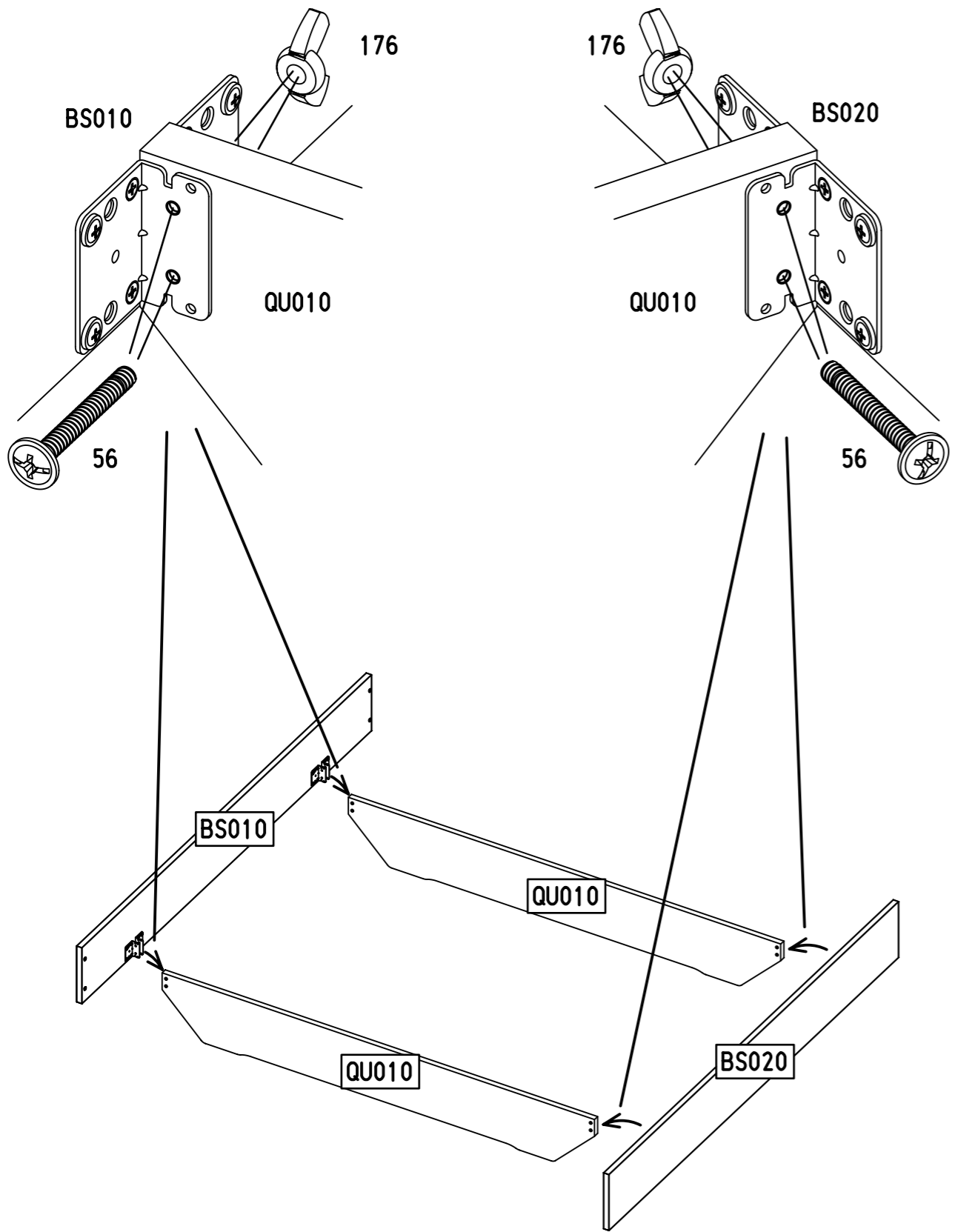
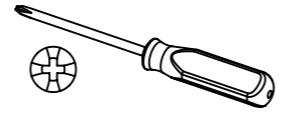


M4x32

8x 176



M4

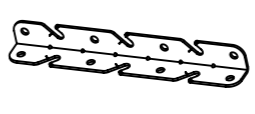


M2361

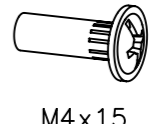
6.

5

2x 456



4x 580

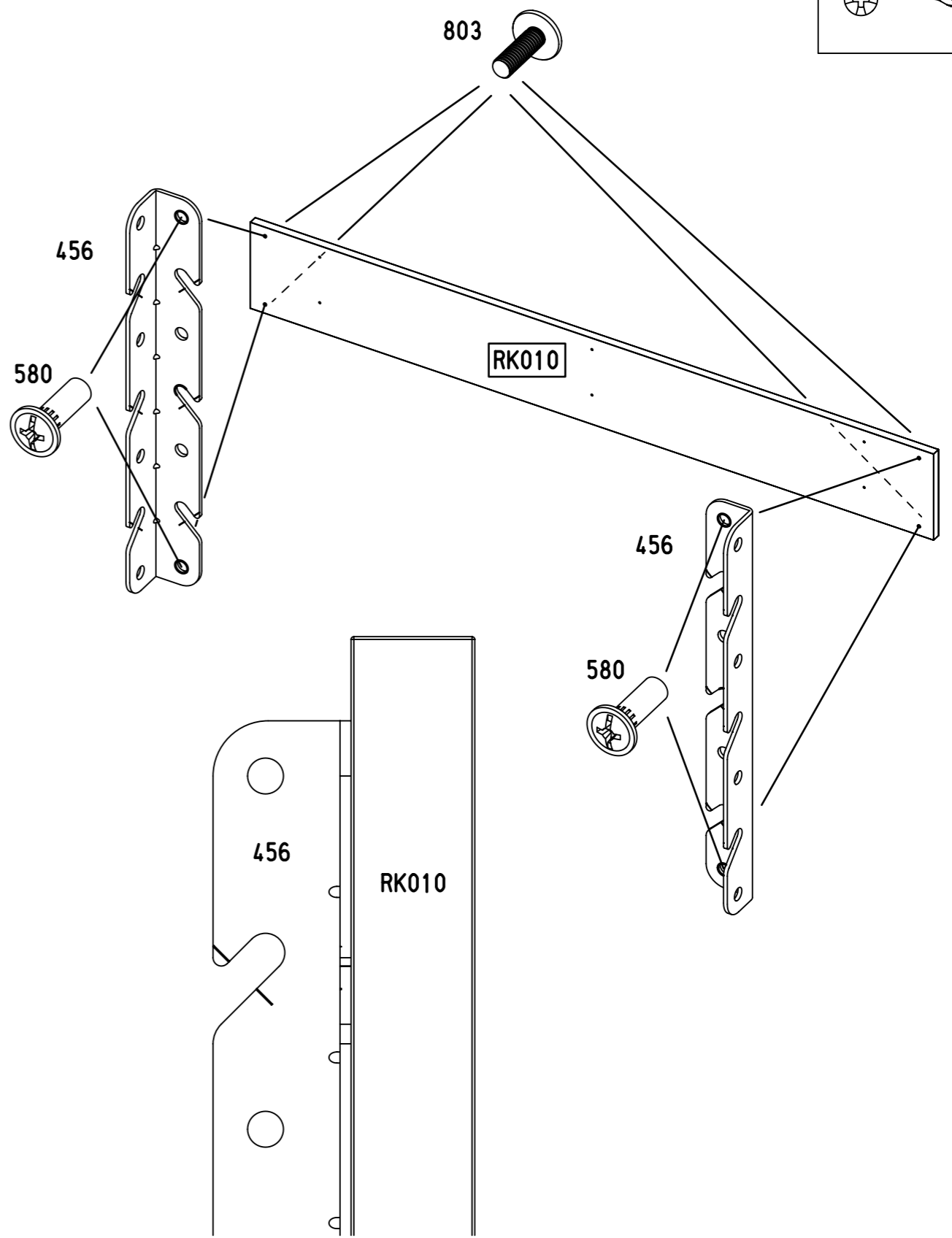
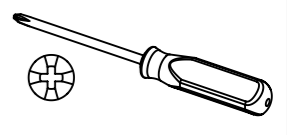


M4x15

4x 803



M4x12

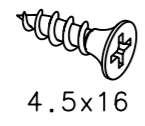


M2361

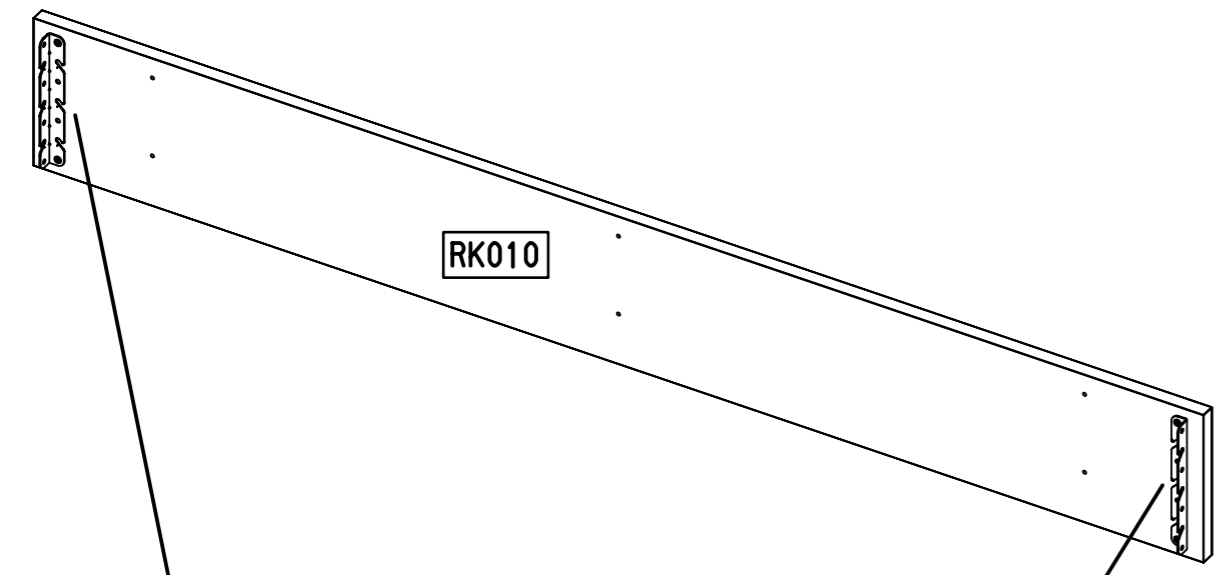
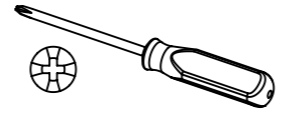
7.

6

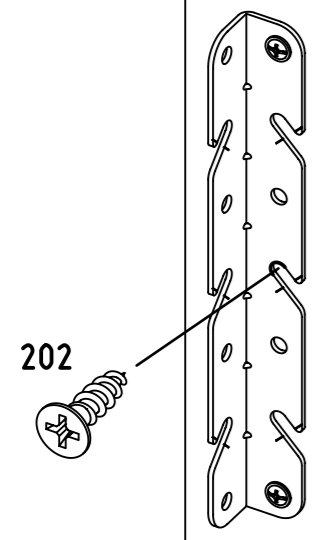
2x 202



4.5x16

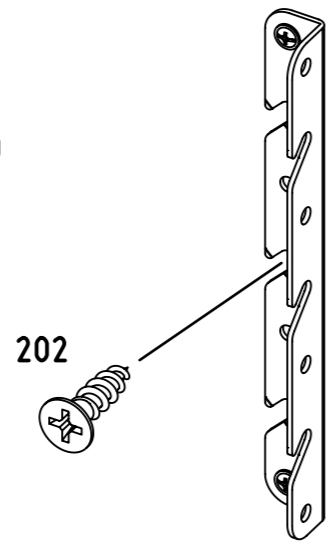


RK010



202

RK010

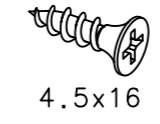


202

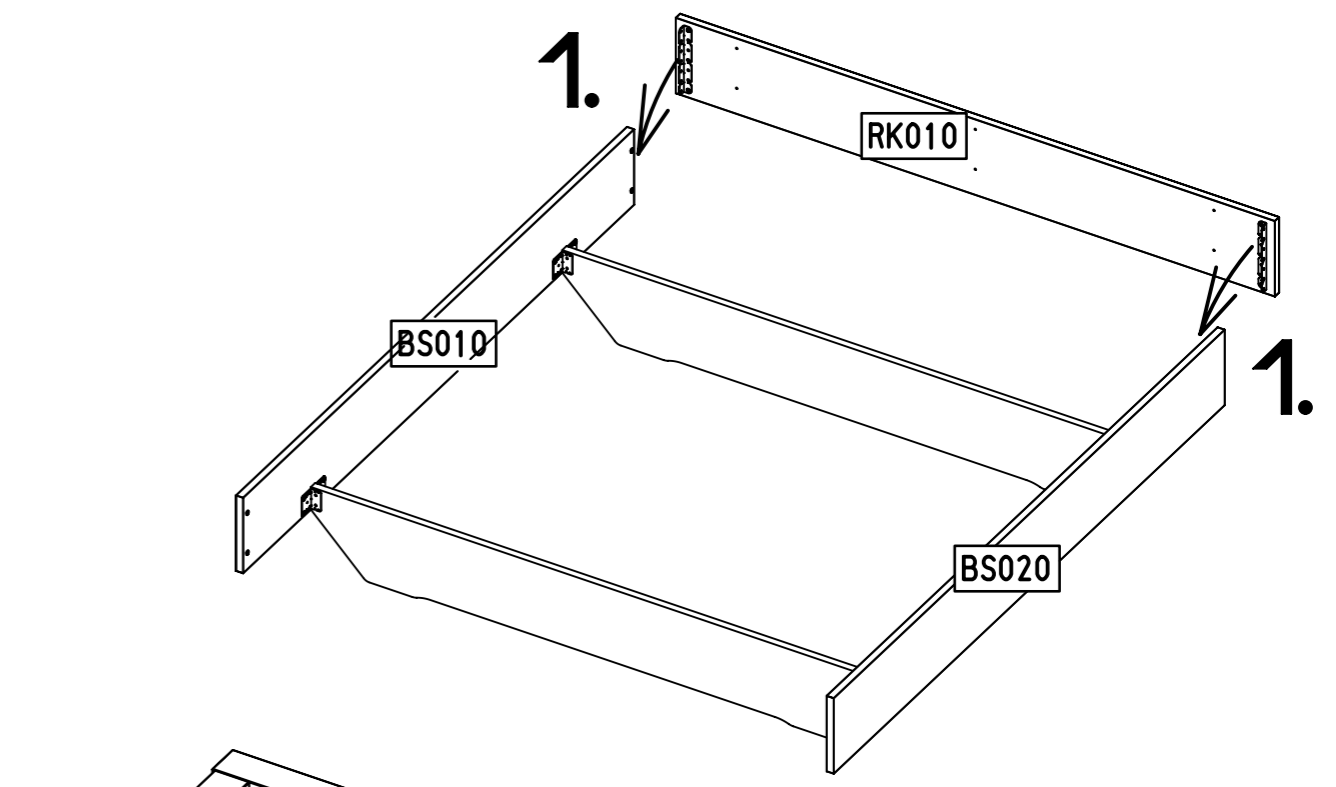
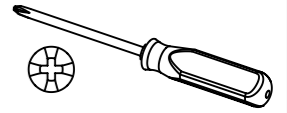
8.

7

6x 202



4.5x16



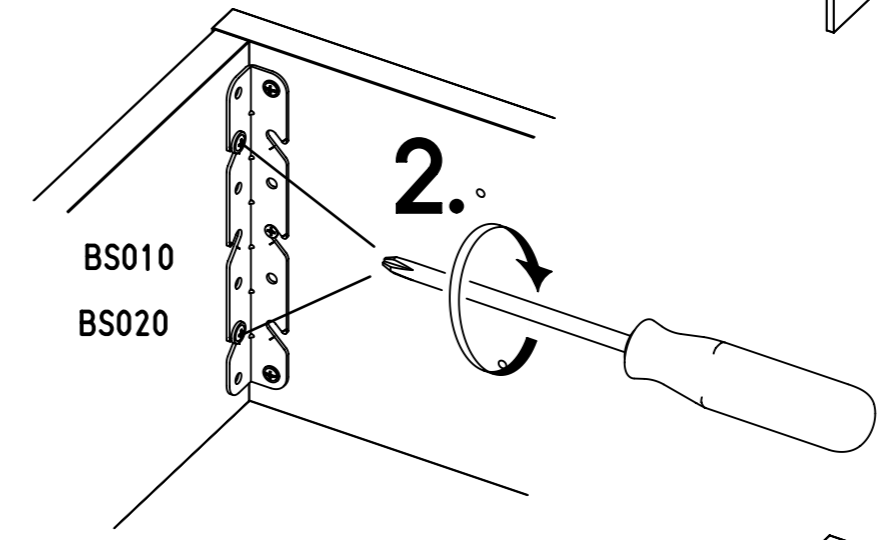
1.

RK010

BS010

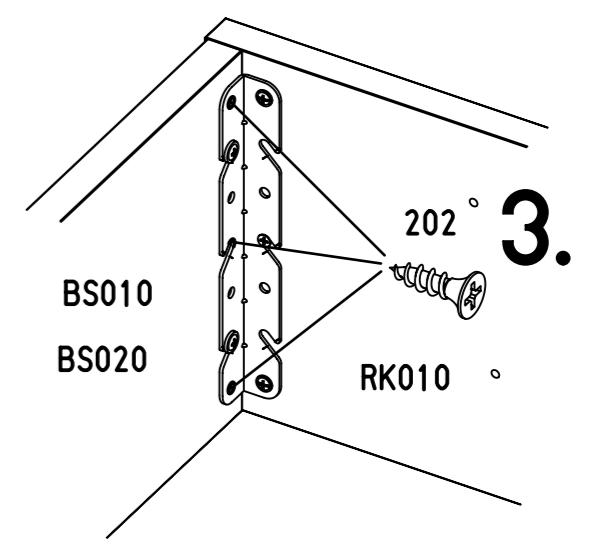
BS020

1.



2.

BS010  
BS020



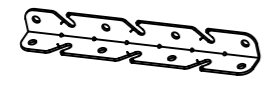
3.

BS010  
BS020

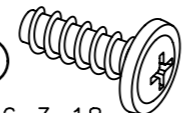
RK010

8

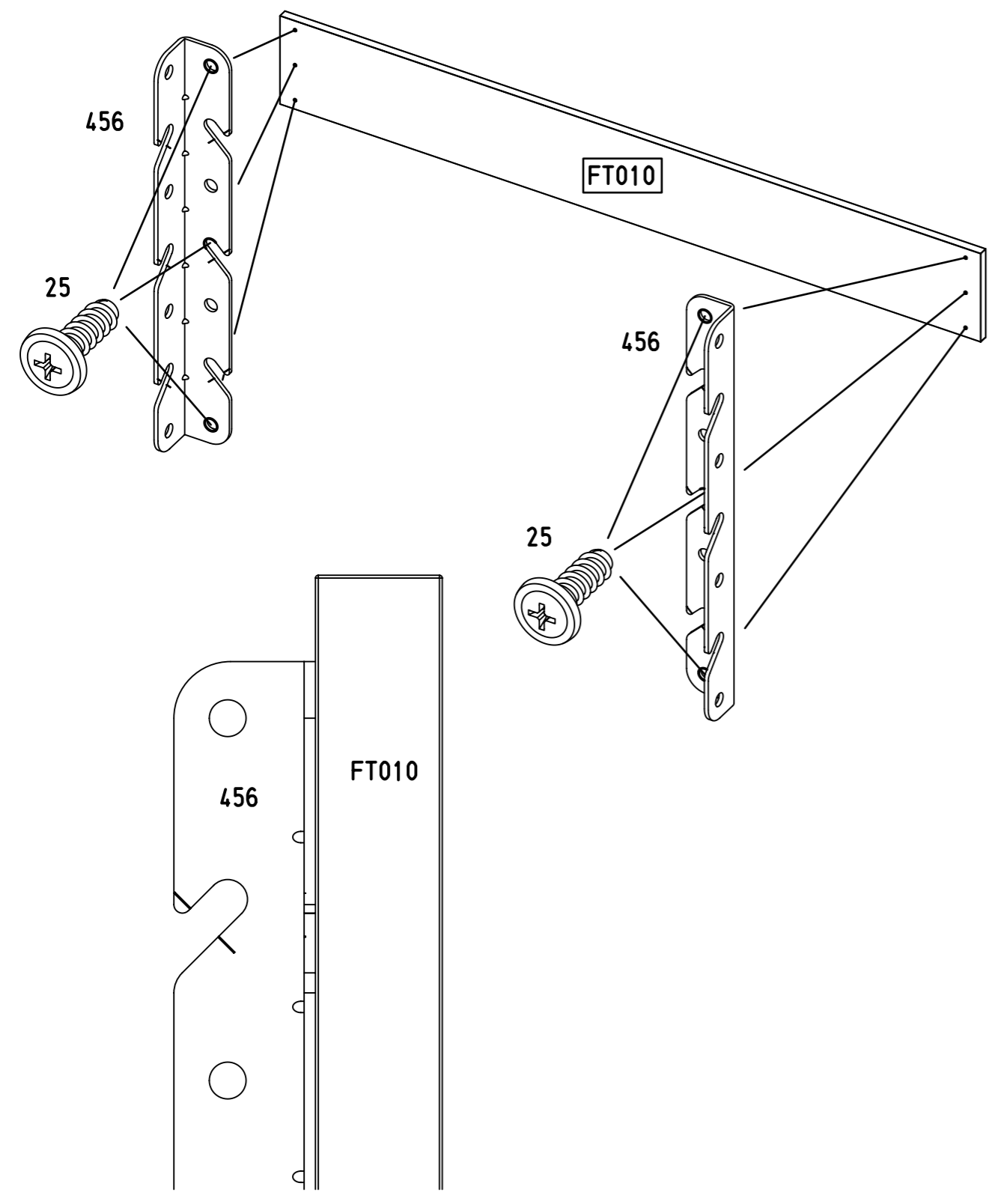
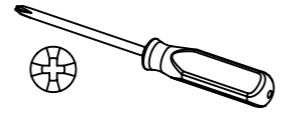
2x 456



6x 25

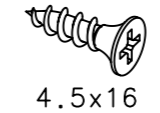


6,3x18

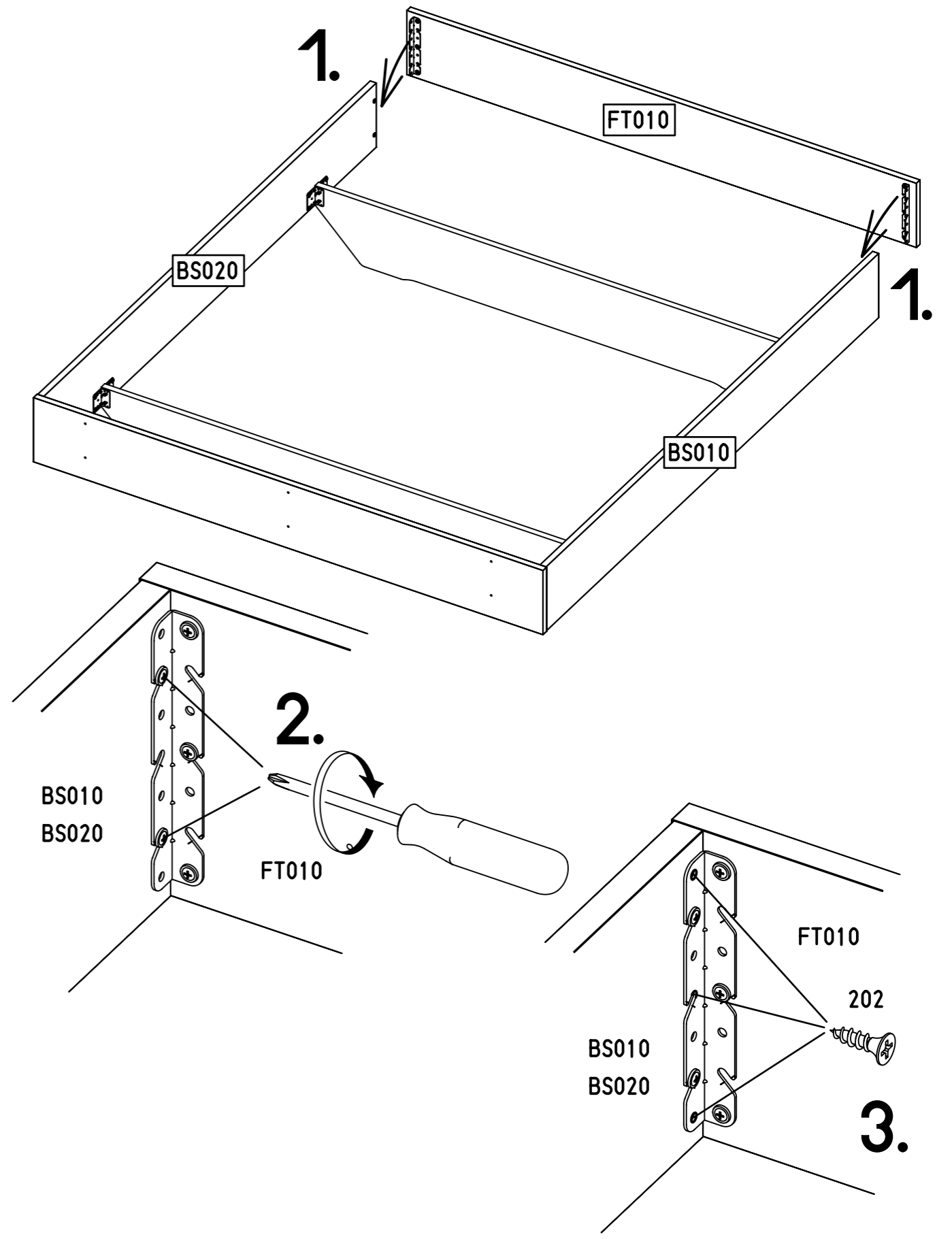
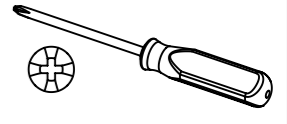


9

6x 202



4.5x16





10

