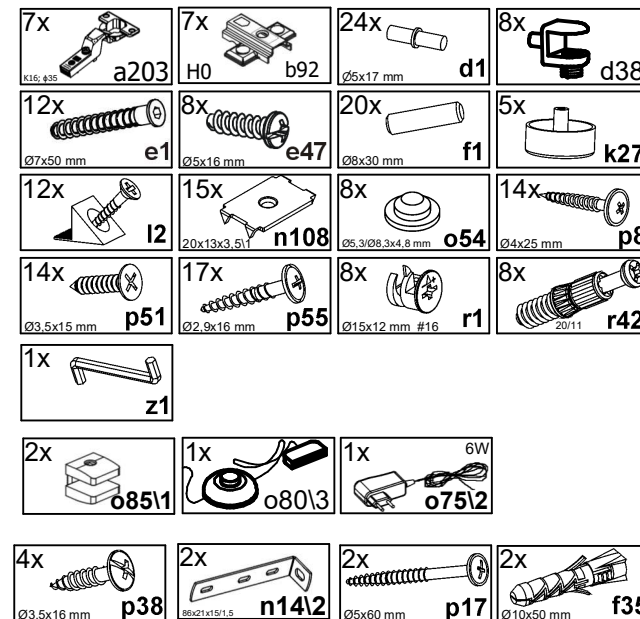
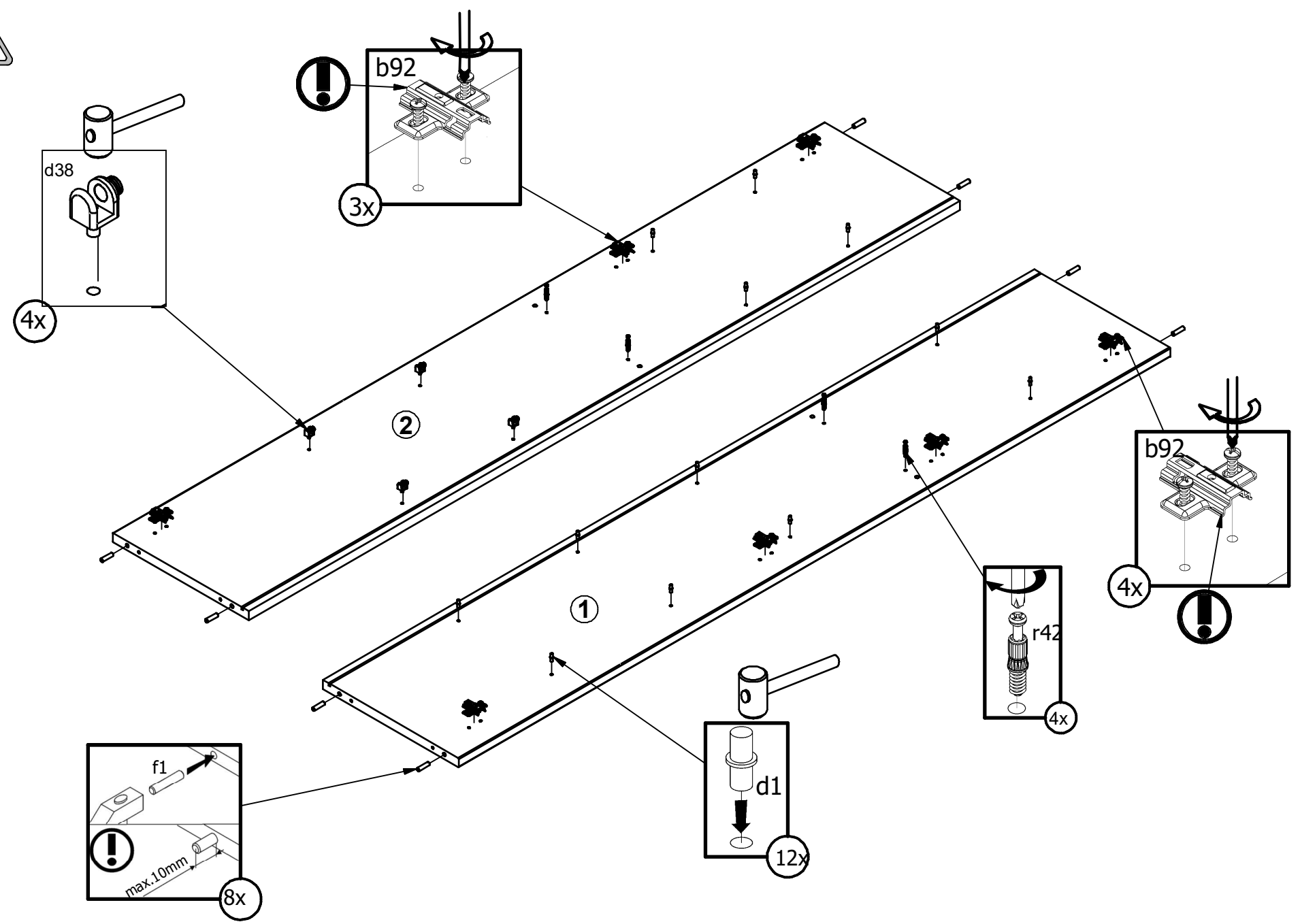


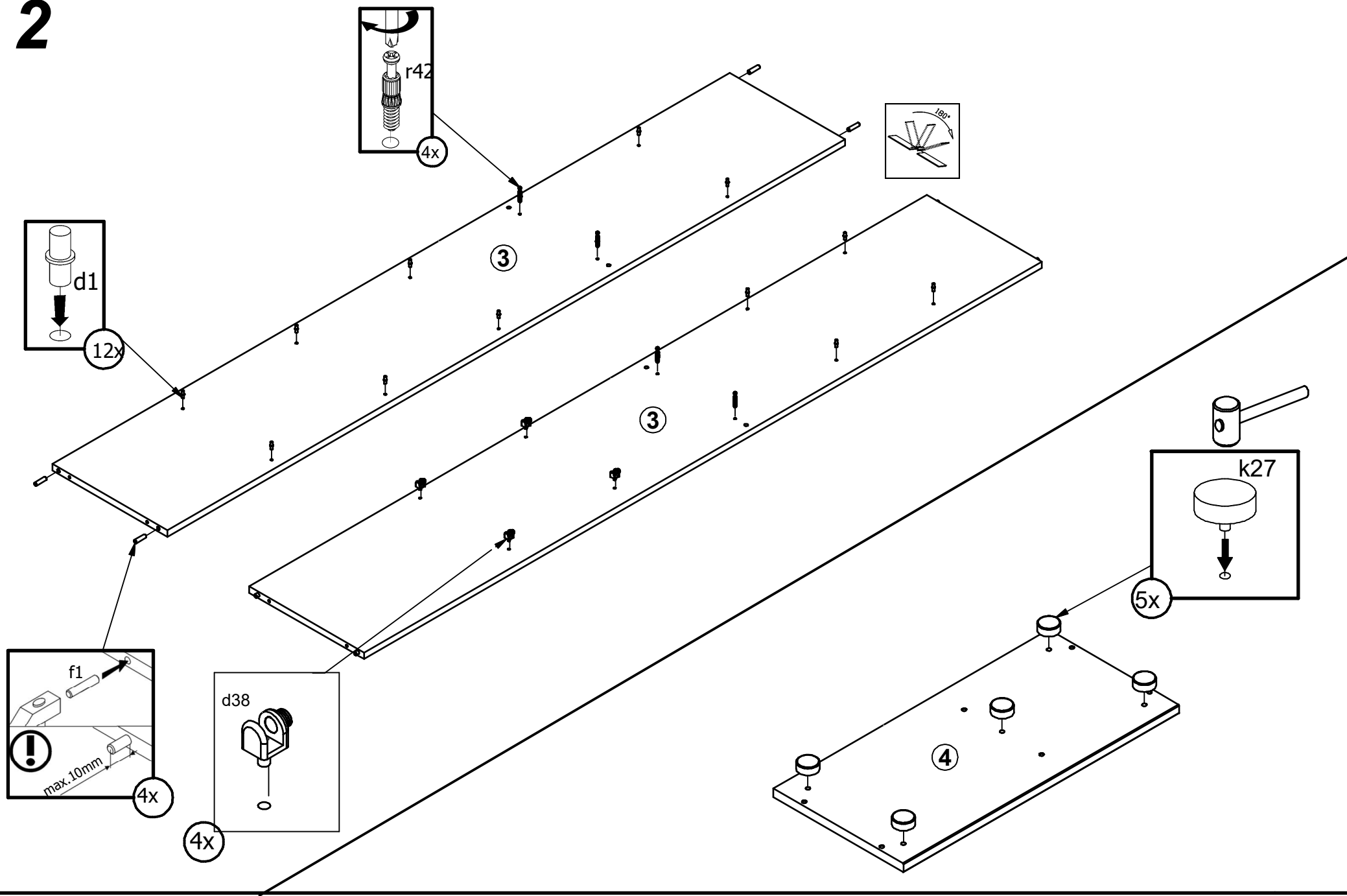
A	B	C1	C2	C3	D
1	S551-1001	1956	374	22	2/3
2	S551-1002	1956	374	22	2/3
3	S551-1003	1956	332	16	2/3
4	S551-2001	795	376	22	1/3
5	S551-2002	795	376	22	1/3
6	S551-3001	441	322	16	3/3
7	S551-3002	442	332	16	3/3
8	S551-3003	291	322	16	1/3
9	S551-3004	292	332	16	1/3
10	S551-3005	435	320	6	1/3
11	S551-5501	980	437	4	3/3
12	S551-7001	296	1232	19	3/3
13	S551-7002	296	718	19	3/3
14	S551-7003	446	156	19	3/3
15	S551-7004	446	156	19	3/3
16	S551-7005	446	718	19	3/3
17	S551-7302	288	100	12	3/3
18	S551-7303	438	100	12	3/3
19	S551-9001	1966	305	2,5	2/3
20	S551-9002	840	455	2,5	3/3
21	S551-9012	455	1126	2,5	3/3



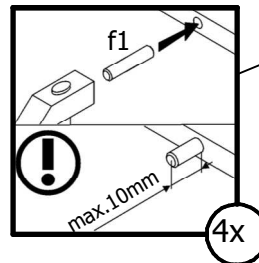
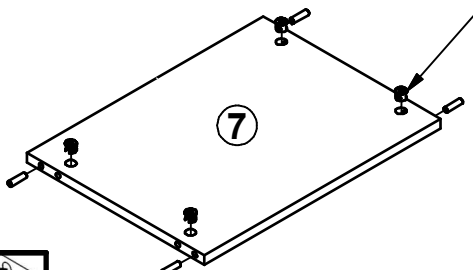
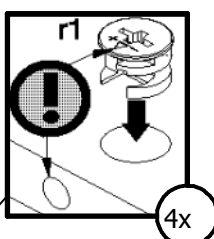
1 



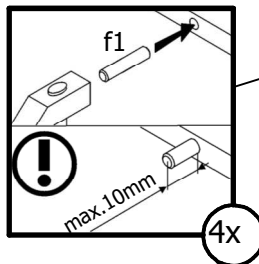
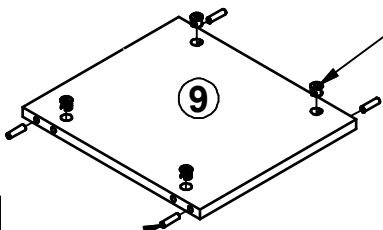
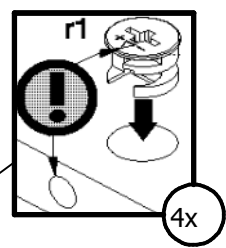
2



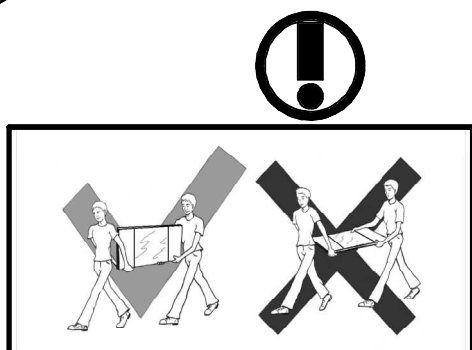
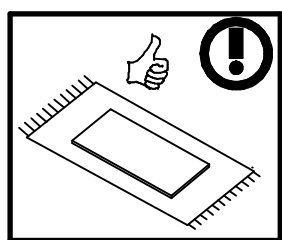
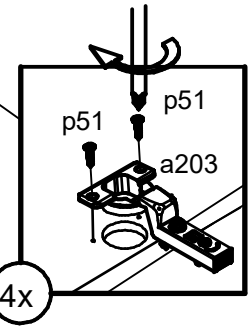
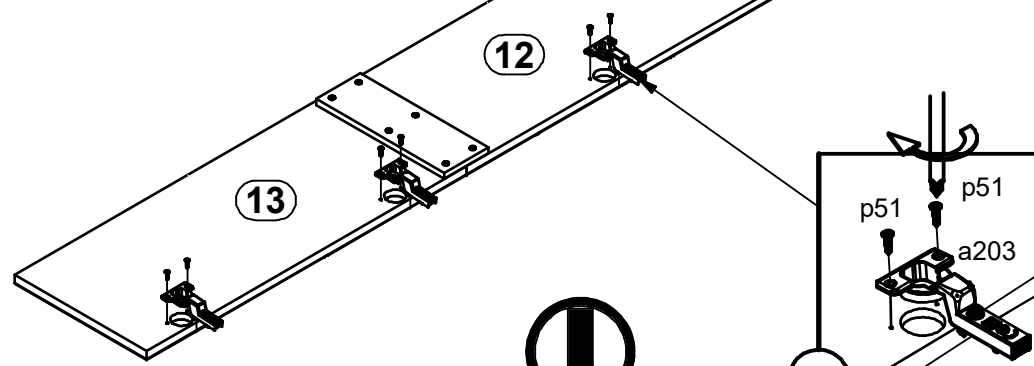
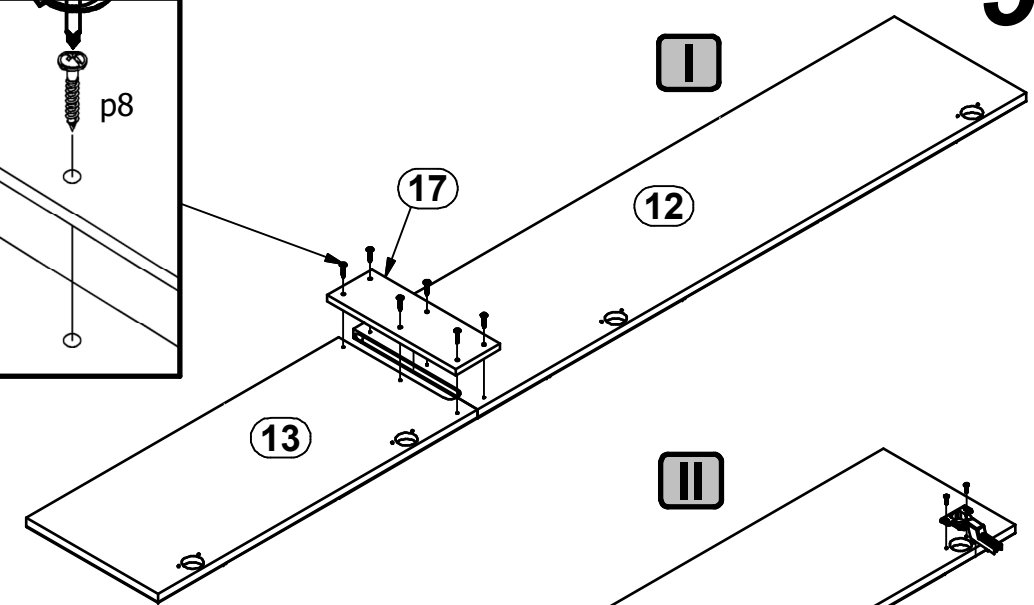
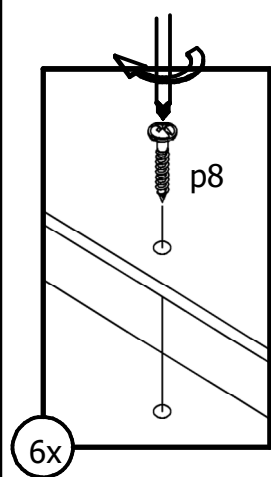
3



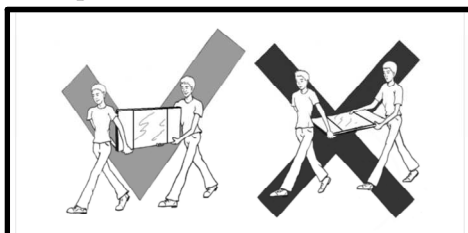
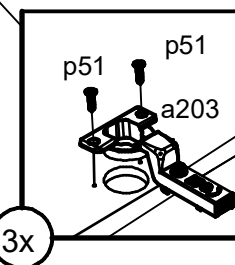
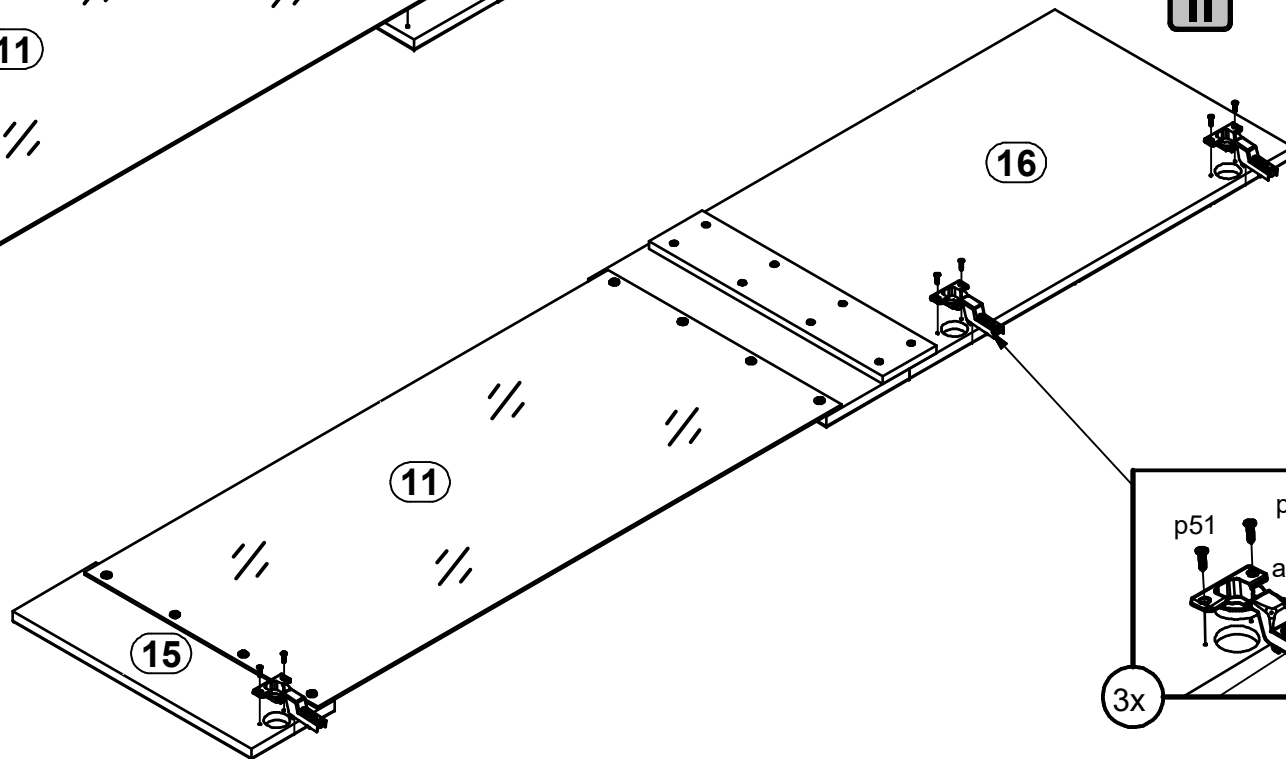
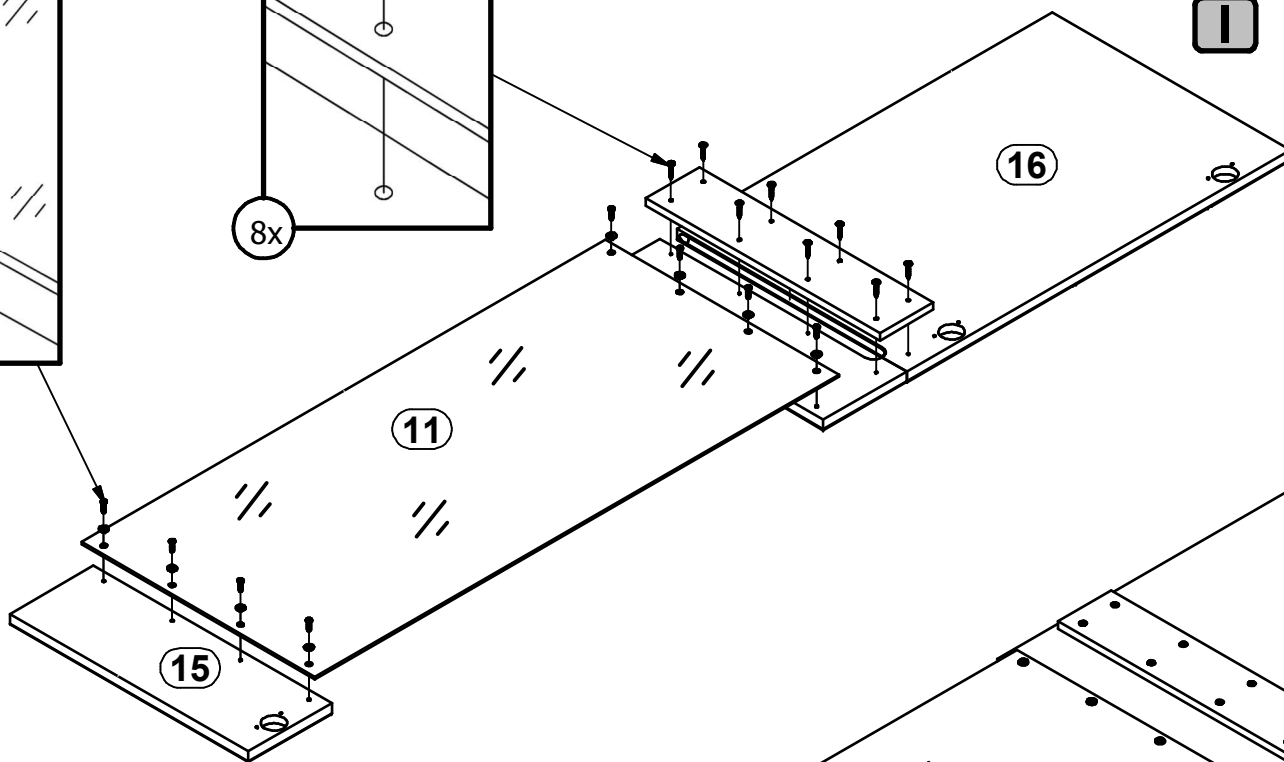
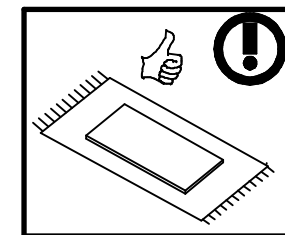
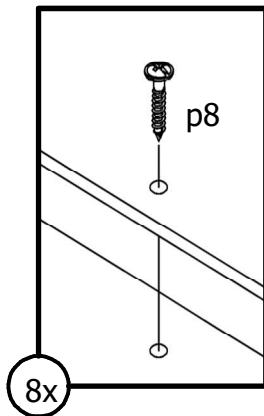
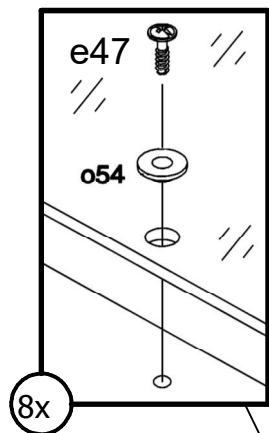
4



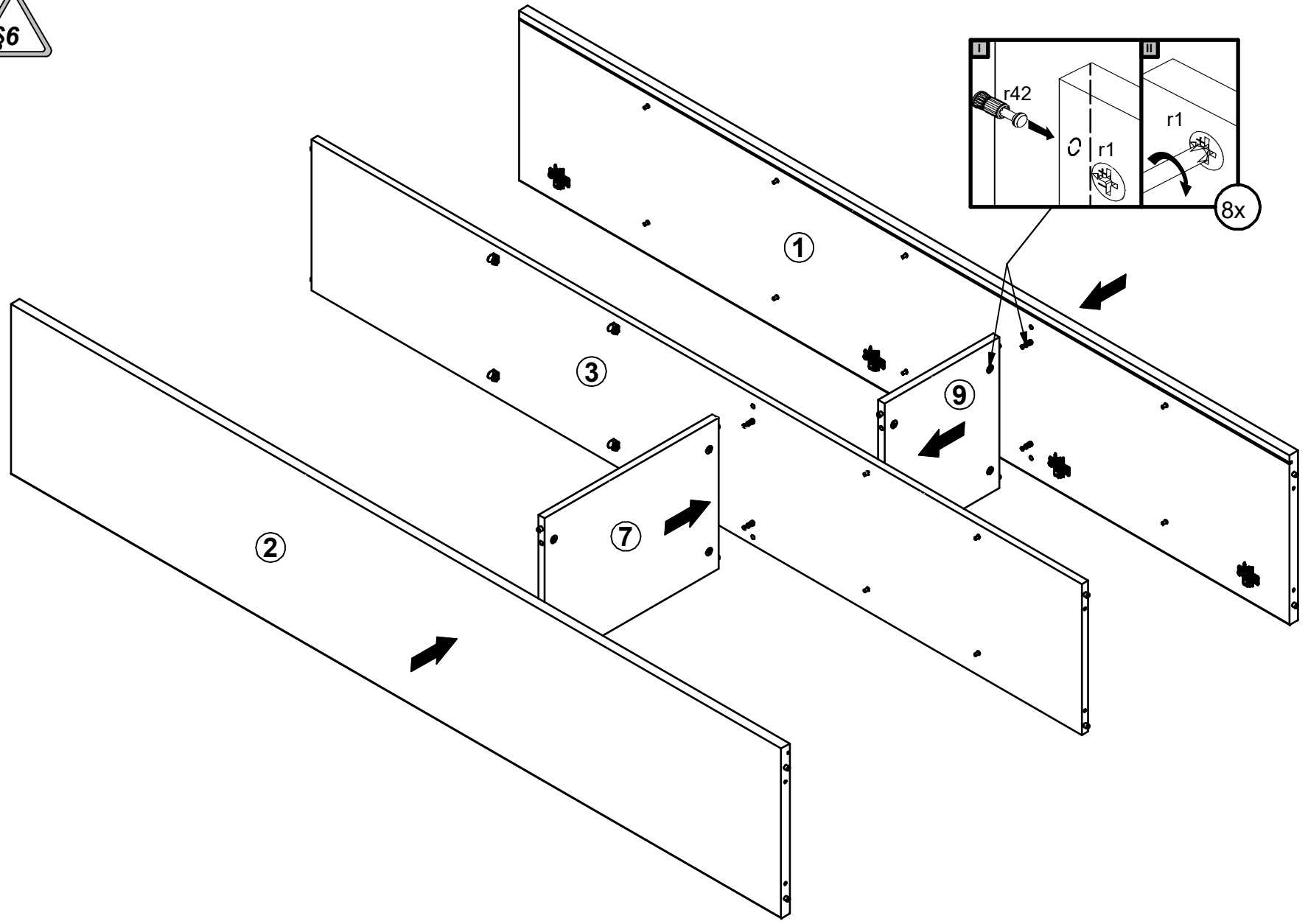
5

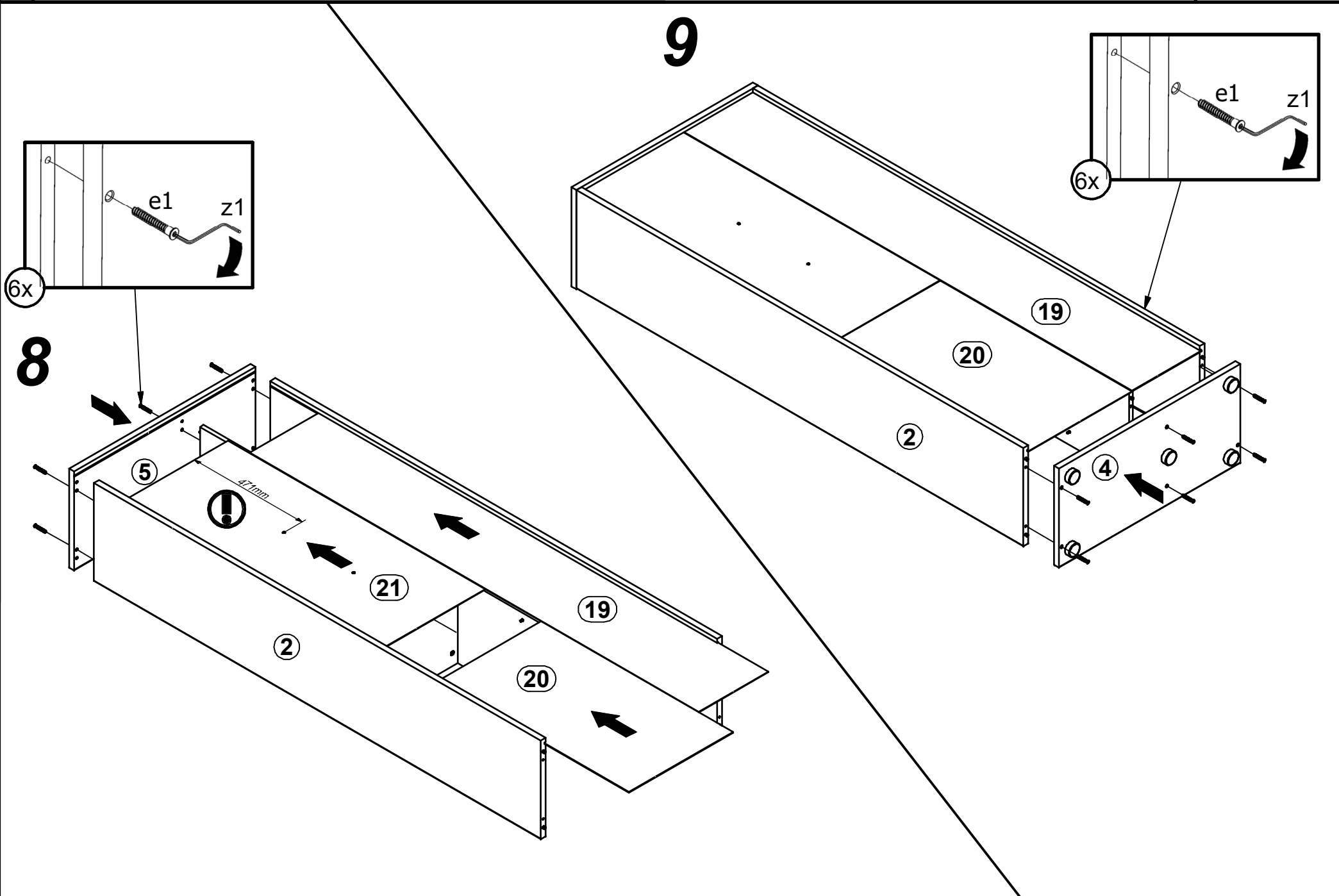


4x



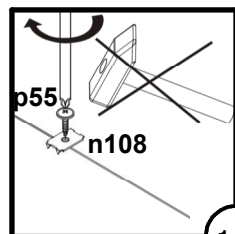
7 



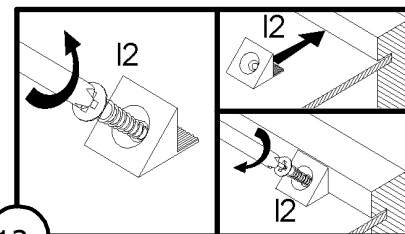




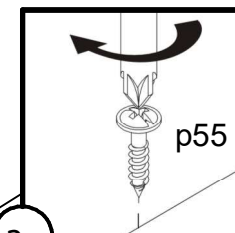
10



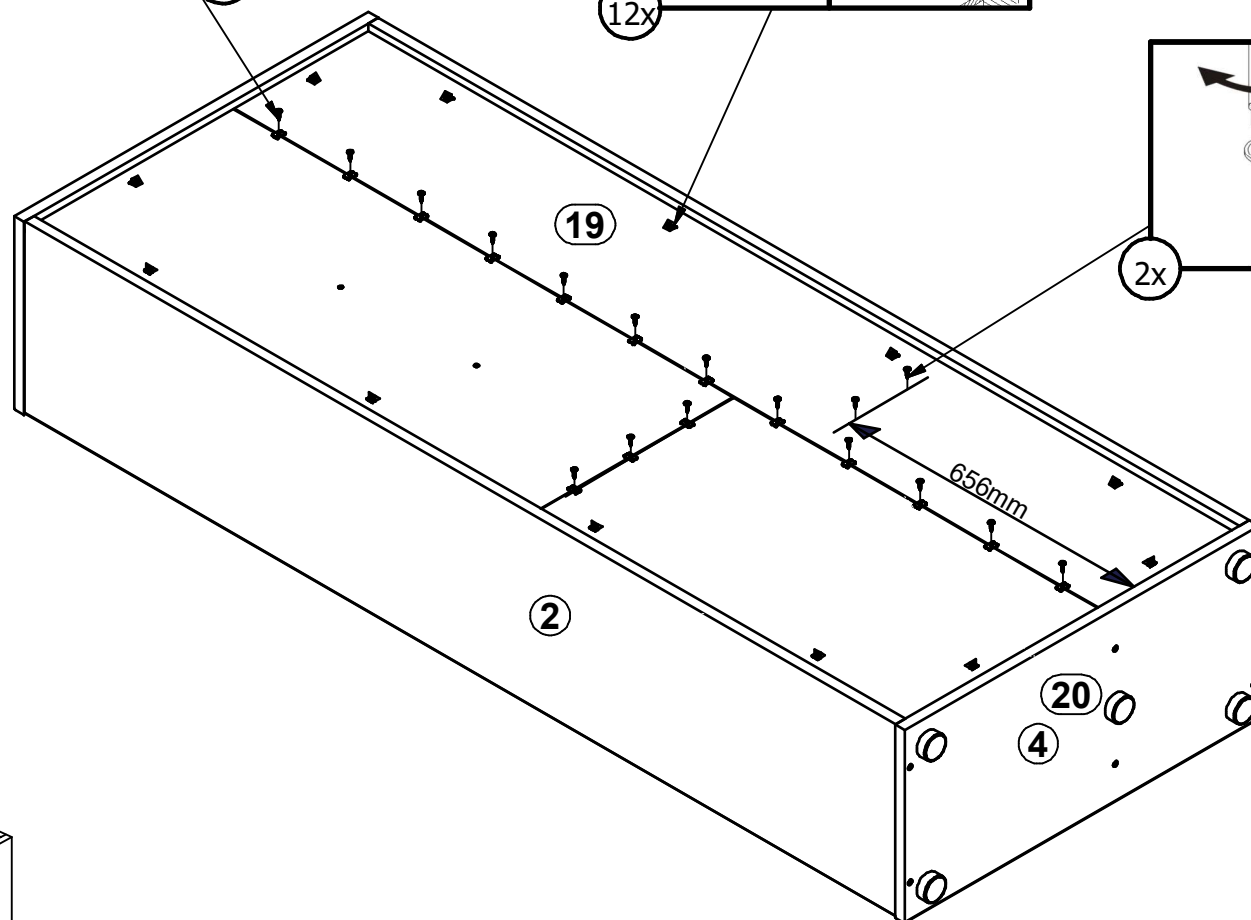
15x



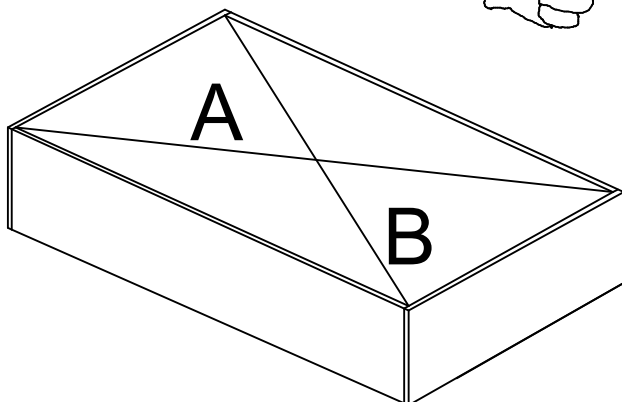
12x



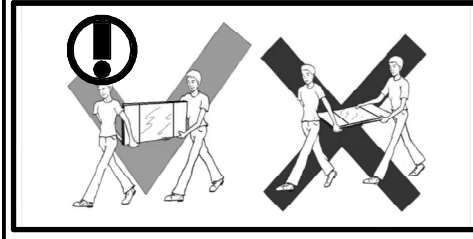
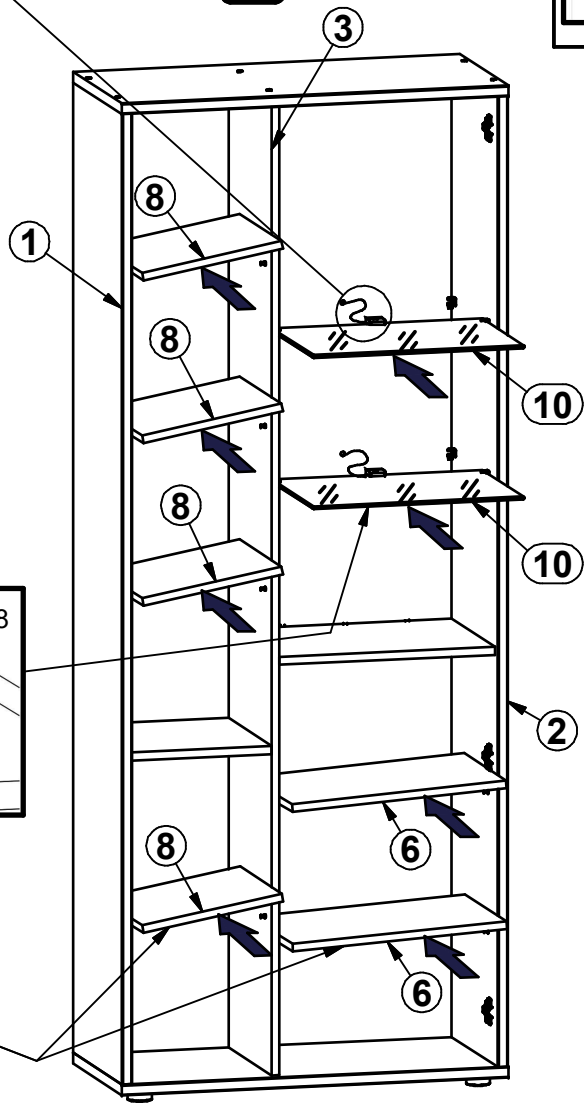
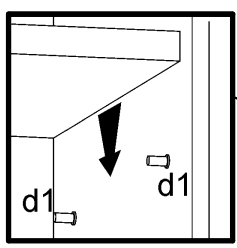
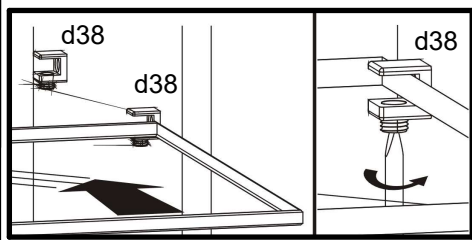
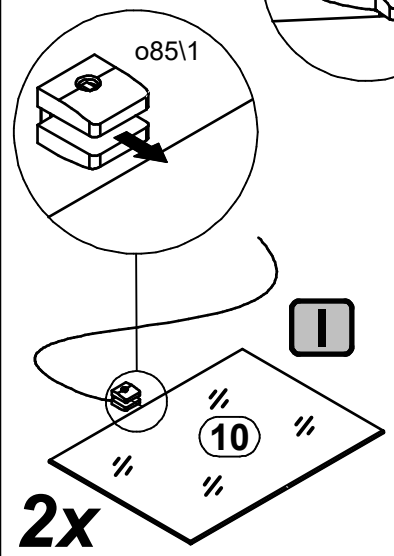
2x



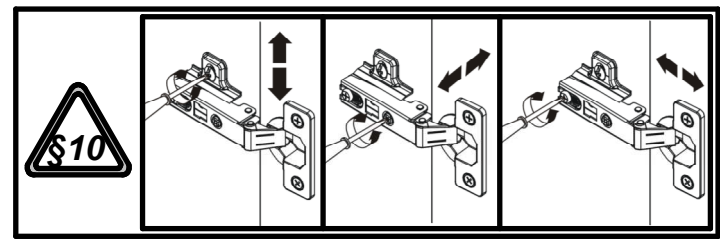
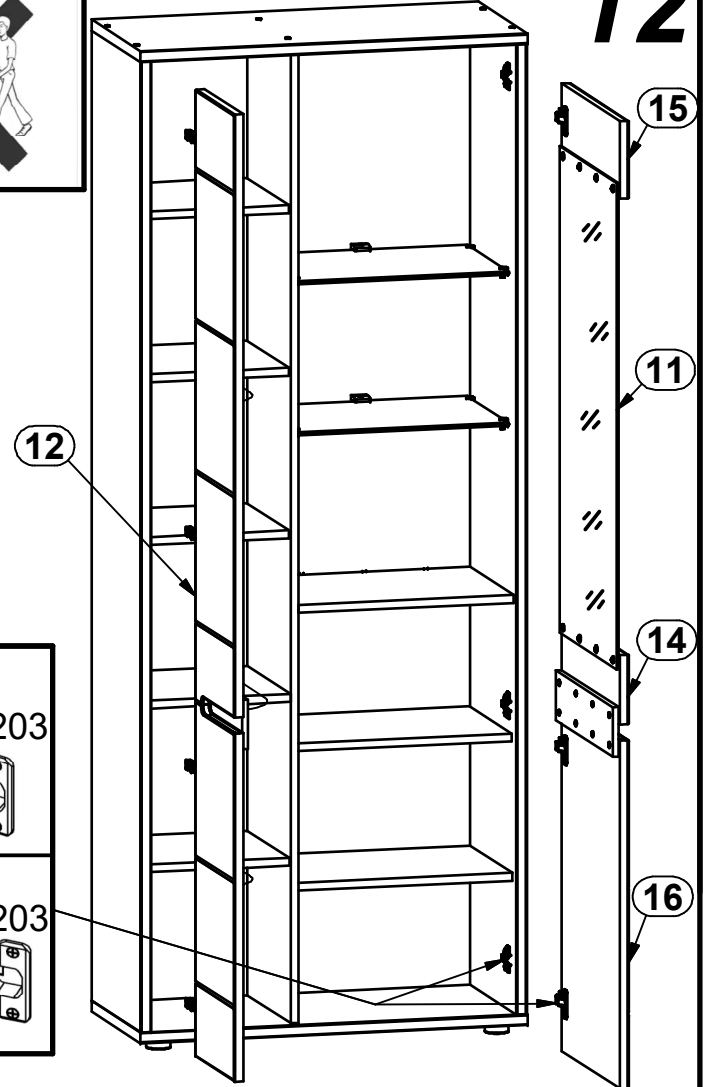
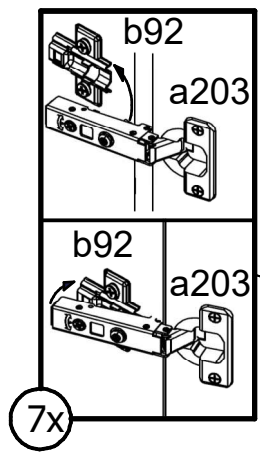
⚠ A=B



11



12



# 13

