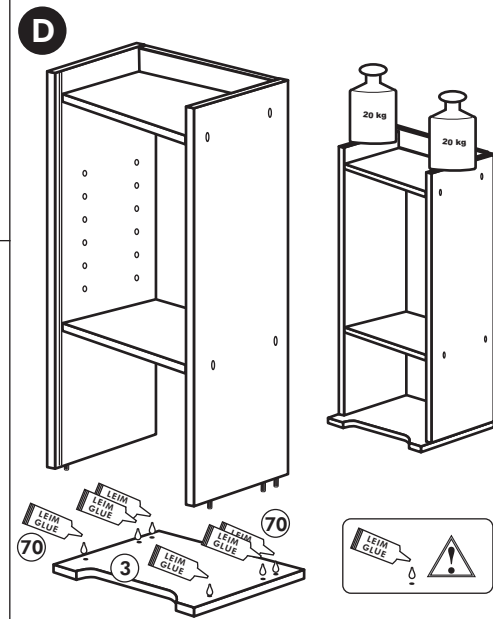
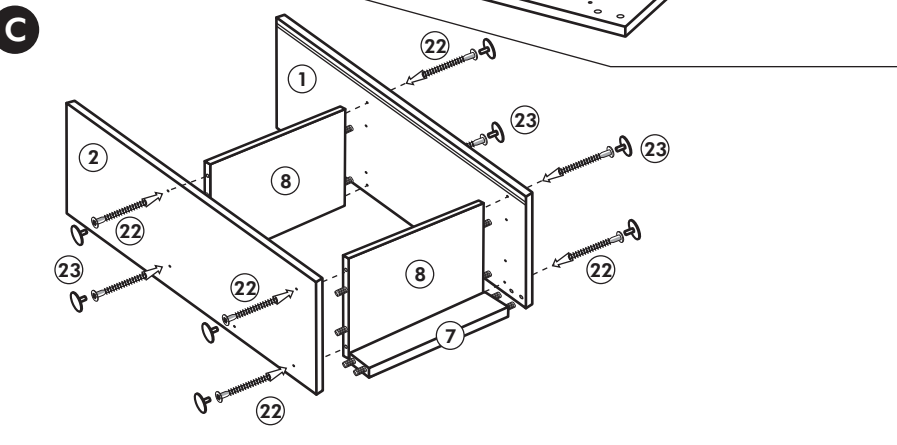
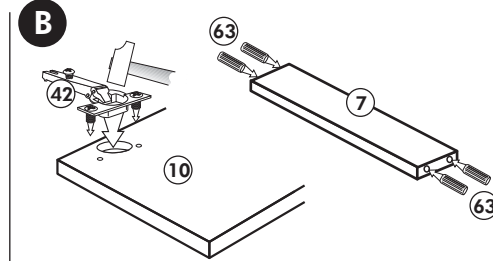
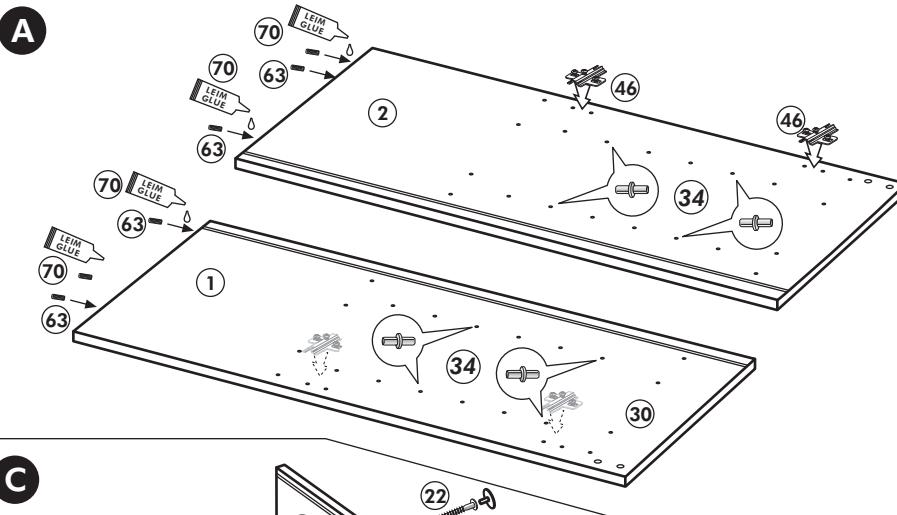
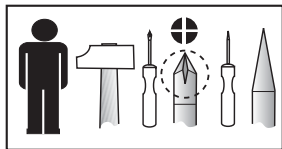


Backofenumbau

165cm

Nr. 300 Rev.00



| | | | |
|------|------|-------|-----------|
| 1x 1 | 1x 2 | 1x 7 | 22 |
| | | 1x 3 | 8x |
| | | 2x 8 | 23 |
| | | 2x 11 | 8x |
| | | | Ø 3 |
| | | | 26 |
| | | | 2x |
| | | | 4,0 x 30 |
| | | | M4 |
| | | | 60 |
| | | | 2x |
| | | | Ø 5 |
| | | | 21 |
| | | | 1x |
| | | | 63 |
| | | | 10x |
| | | | 8 x 30 |
| | | | 70 |
| | | | 1x |
| | | | LEIM GLUE |
| | | | 42 |
| | | | 2x |
| | | | 27 |
| | | | 10x |
| | | | 3,0 x 20 |
| | | | 34 |
| | | | 8x |
| | | | 46 |
| | | | 2x |

