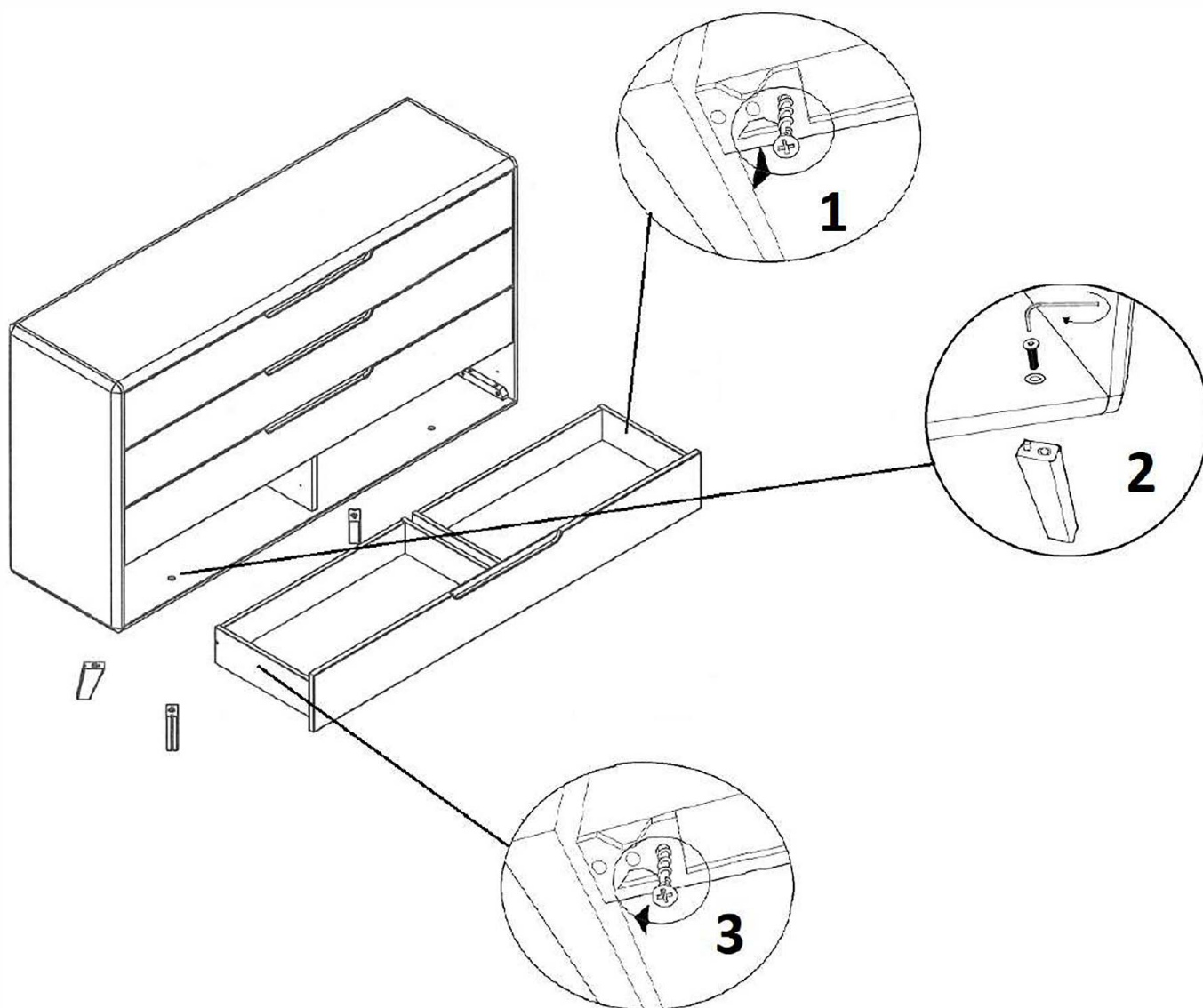
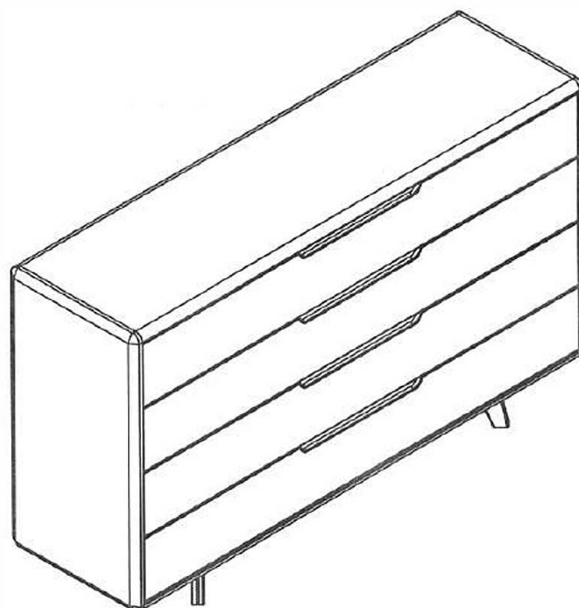





88634420

1500x420x900

1. Opening the drawer and unscrewing the screw
2. Leg placement and clamping
3. Replacing the drawer and tightening the screw



		
<b>4x</b>	<b>M8x40</b> <b>4x</b>	<b>SW 5 mm</b> <b>1x</b>