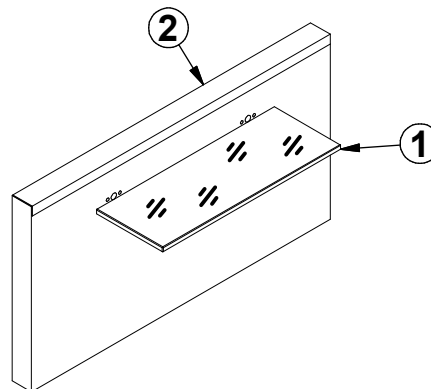
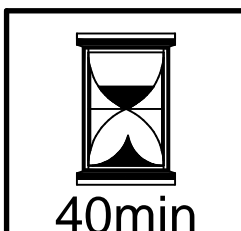
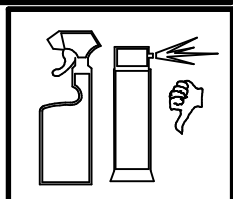
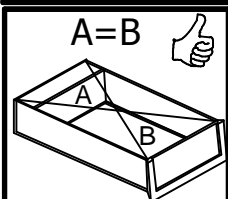
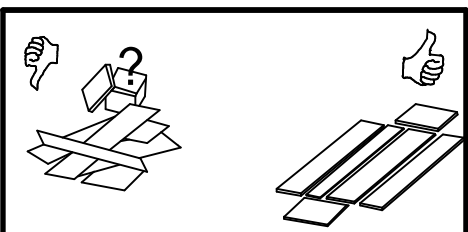
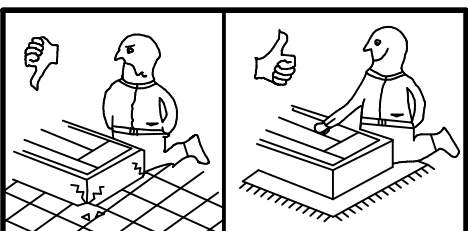
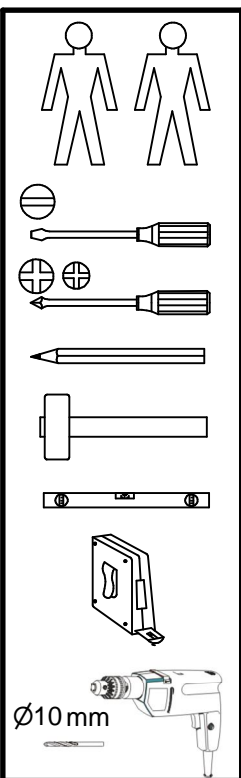
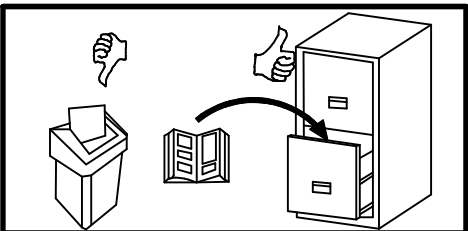
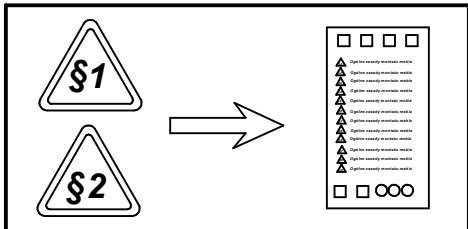
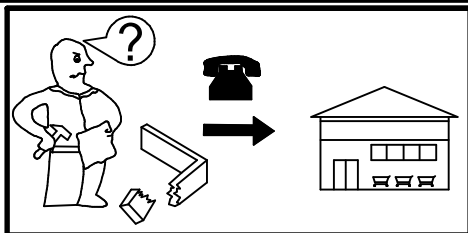
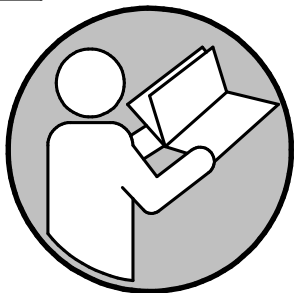
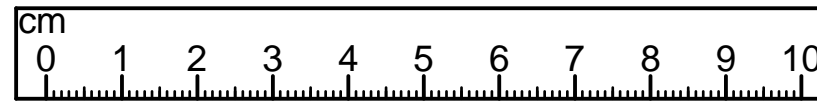
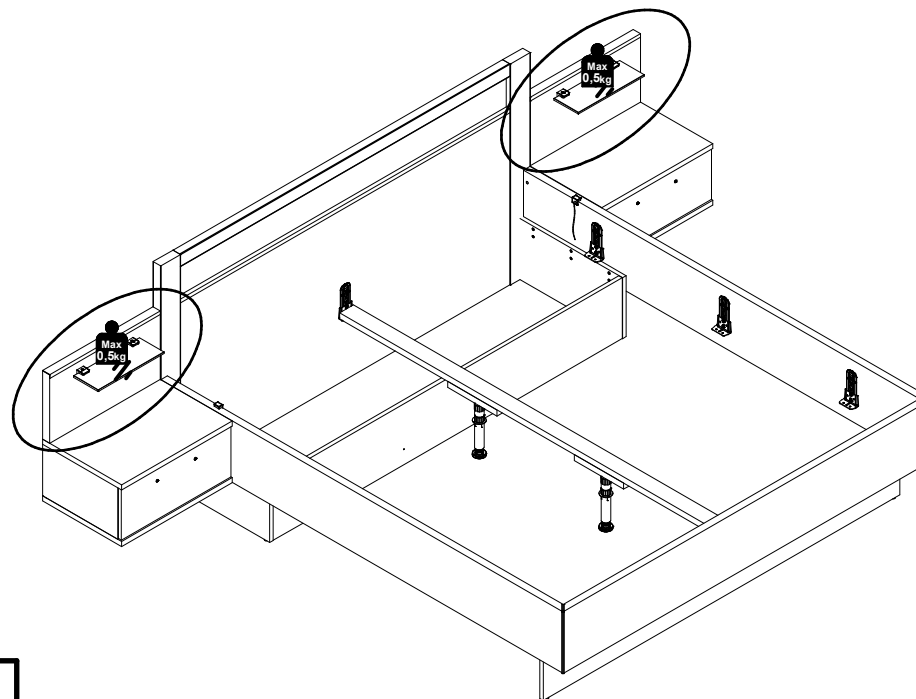
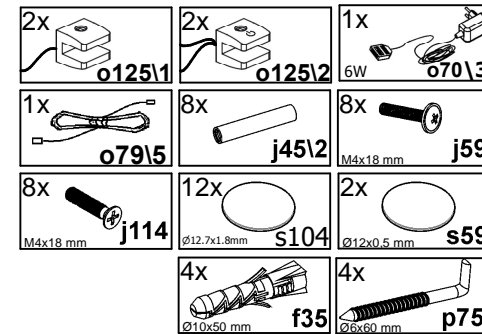


A**L93-PAN/3/6****31-180-U2**

1 / 5



A	B	C1	C2	C3	D
1	L93-3001	334	125	8	1/1
2	L93-Z007	301	560	37	1/1



A

L93-PAN/3/6

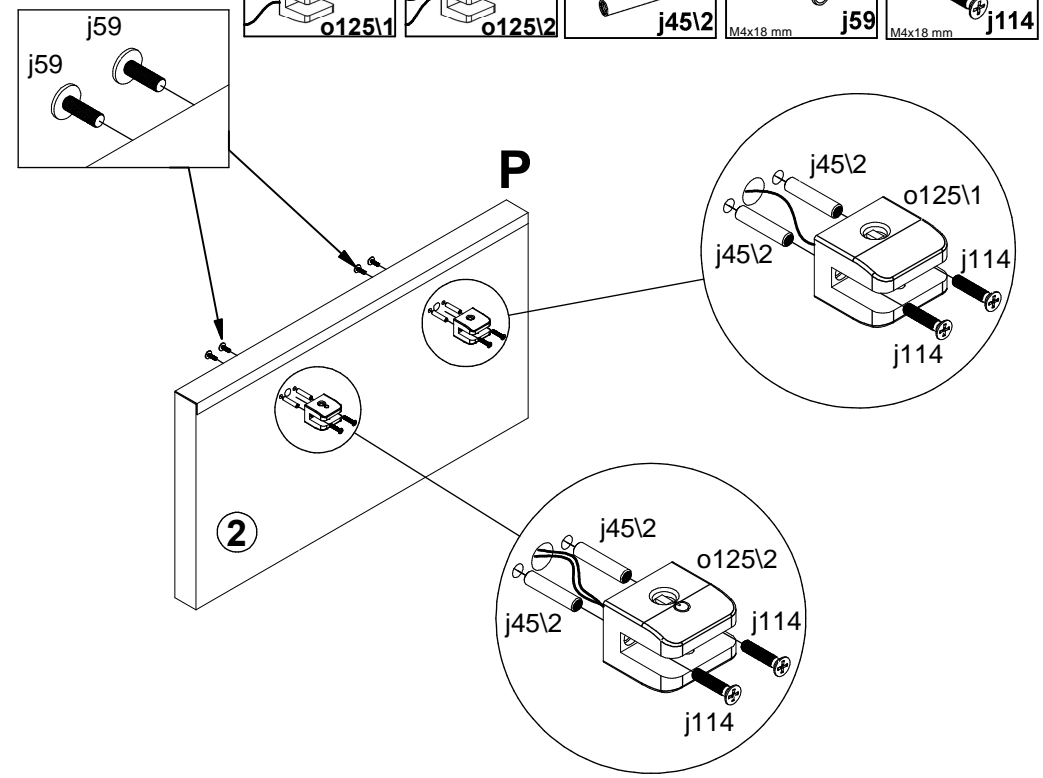
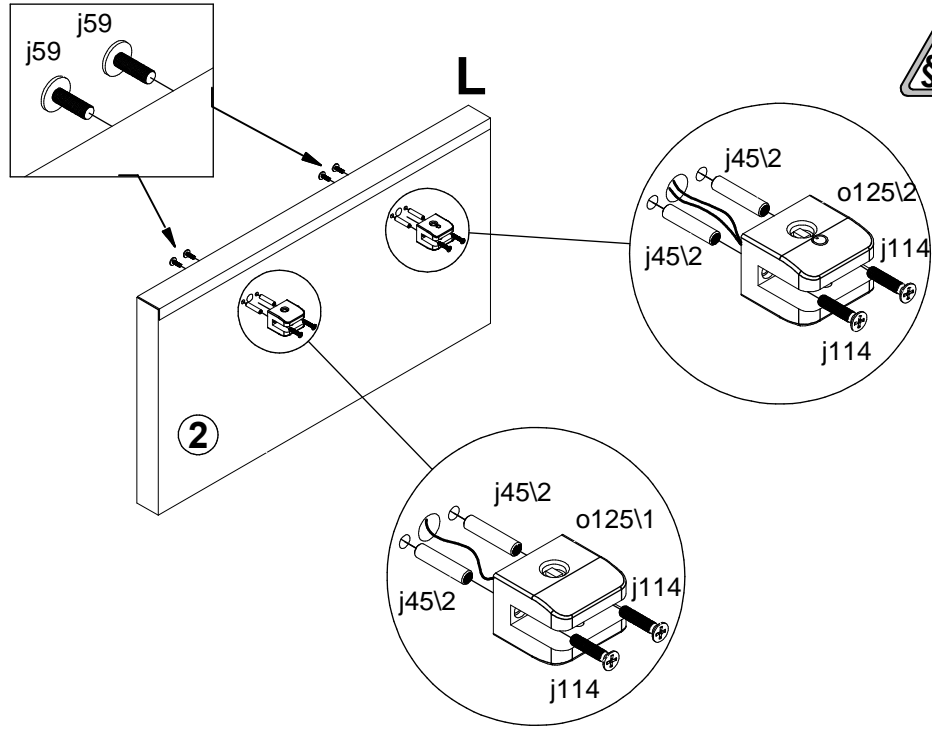
31-180-U2

- 1x o125\1
- 1x o125\2
- 4x j45\2
- 4x M4x18 mm j59
- 4x M4x18 mm j114

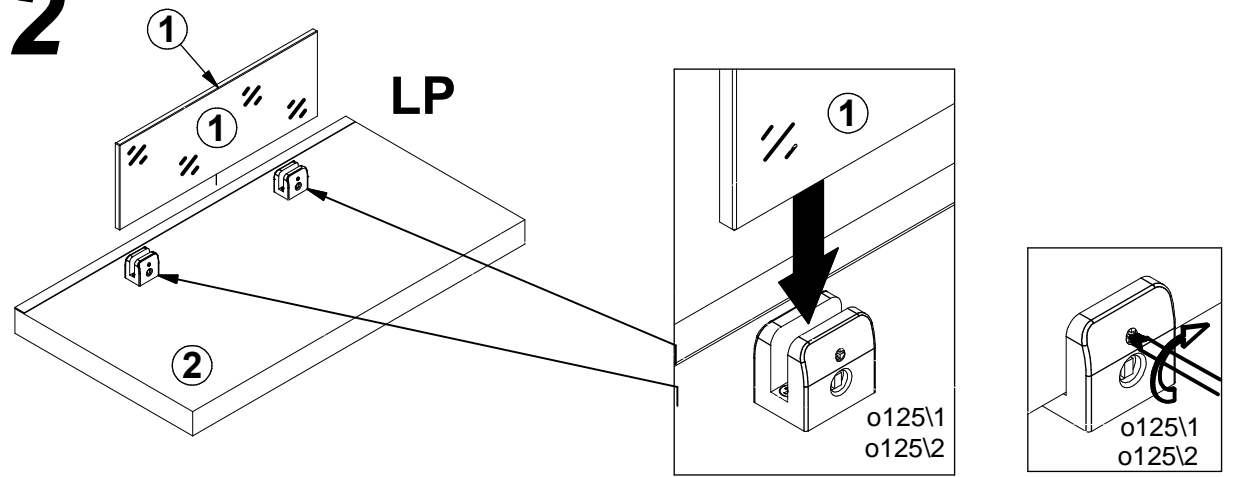
1



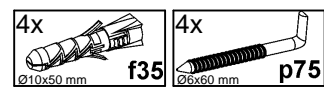
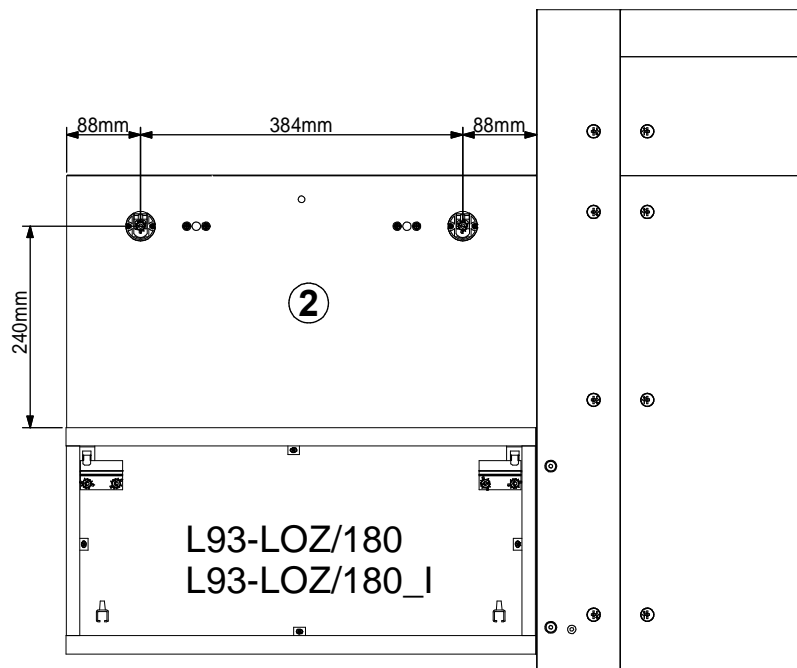
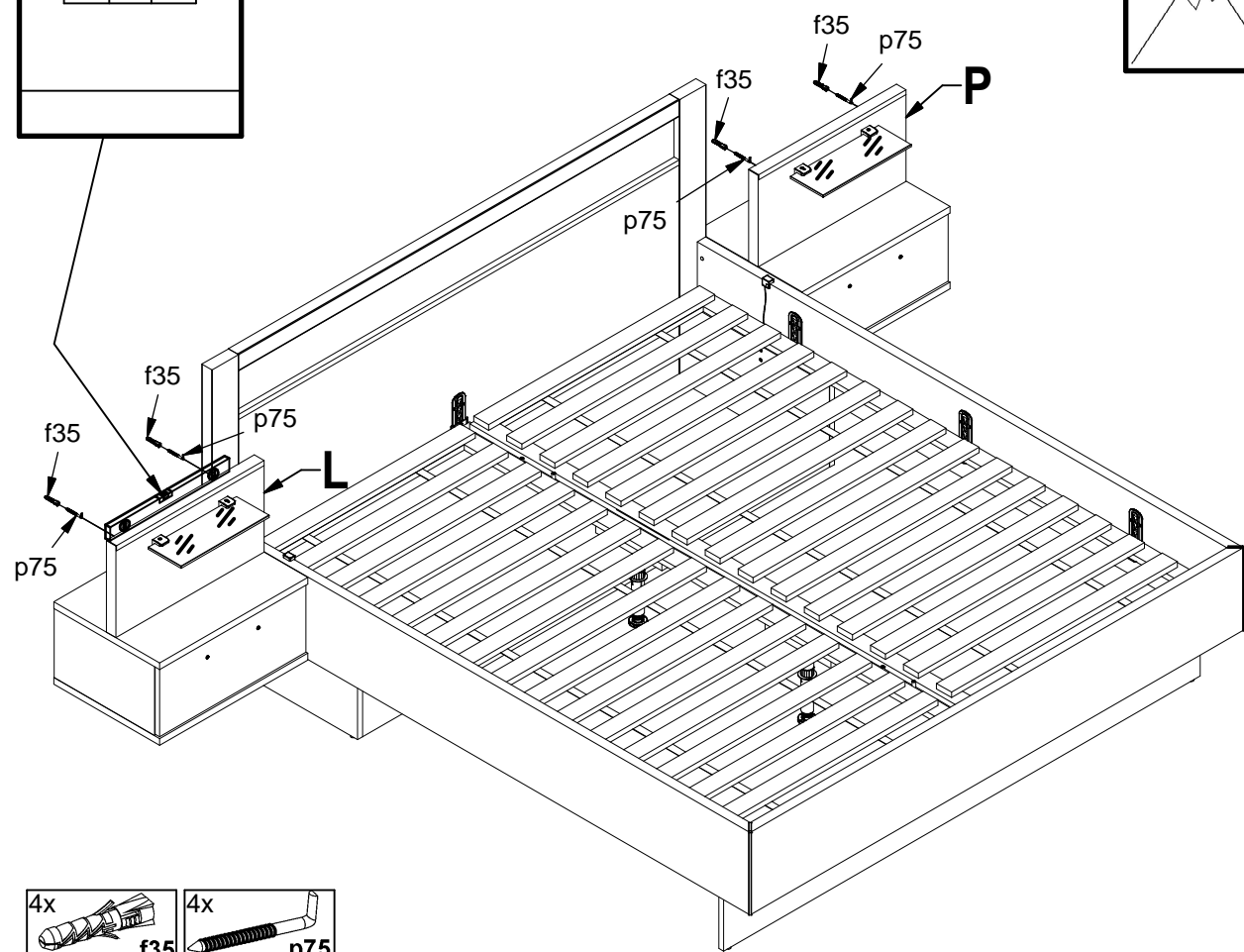
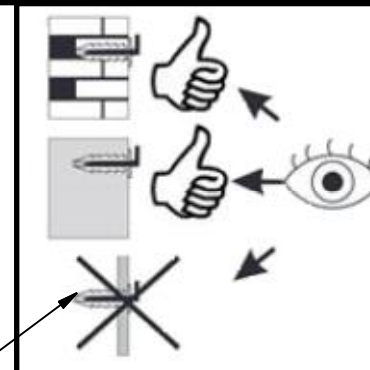
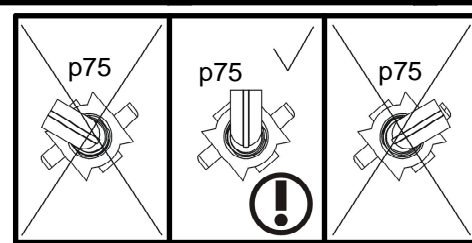
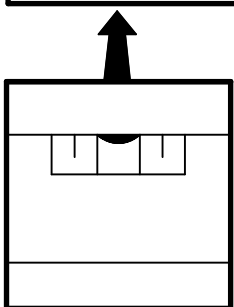
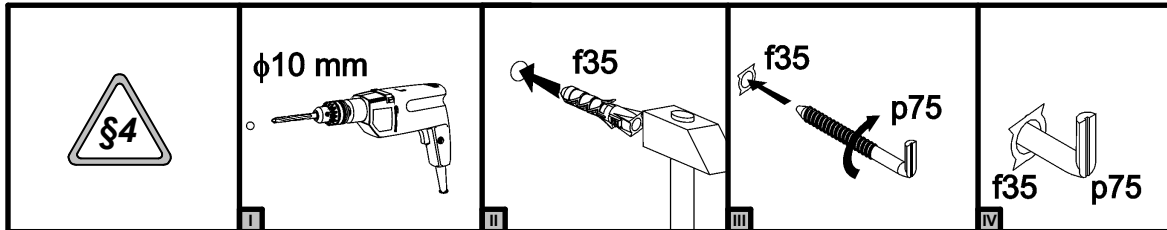
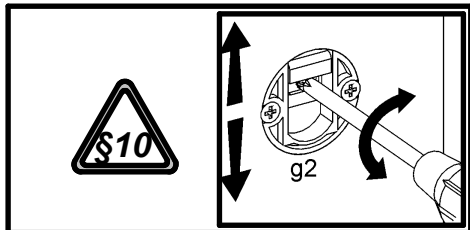
- 1x o125\1
- 1x o125\2
- 4x j45\2
- 4x M4x18 mm j59
- 4x M4x18 mm j114



2

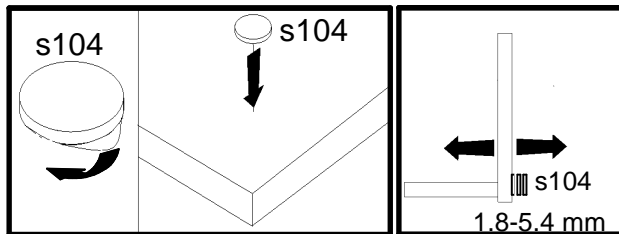
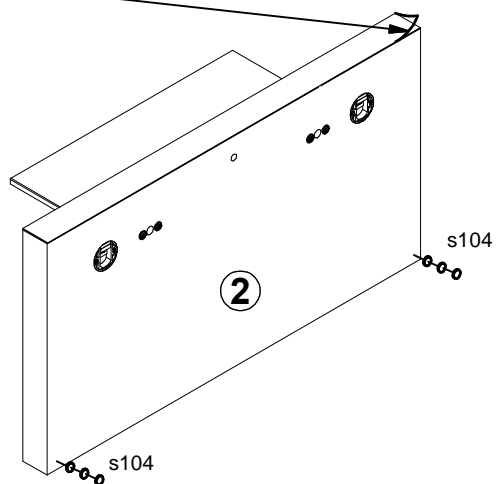
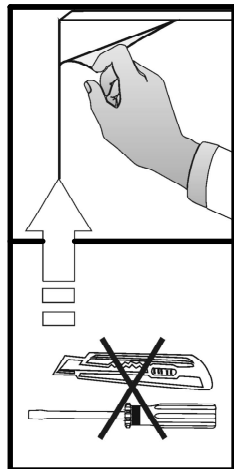
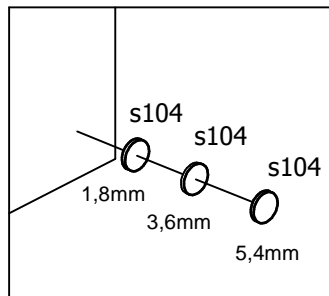


3

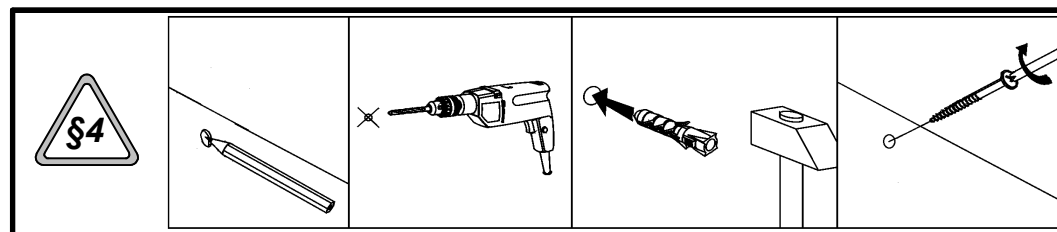
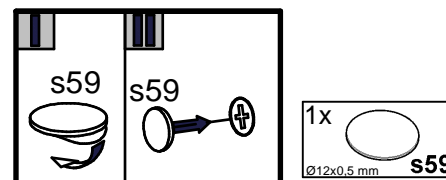
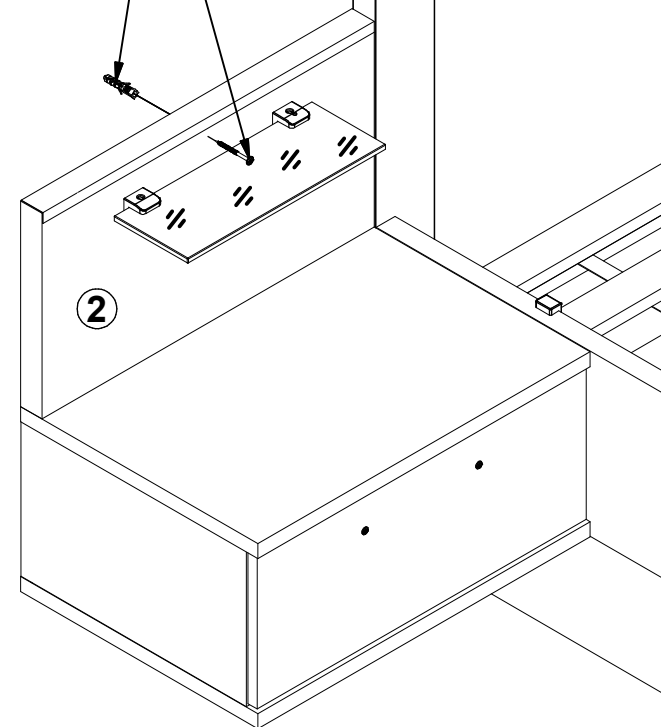
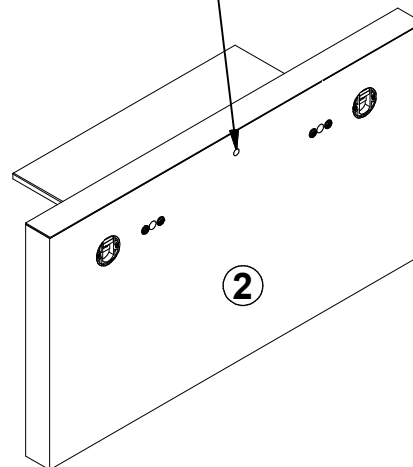
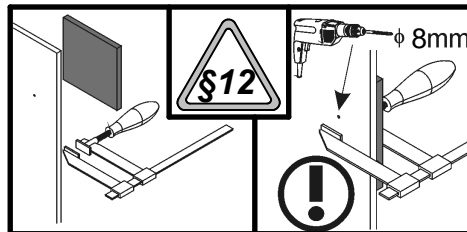


4

6x
Ø12.7x1.8mm s104



5



6

