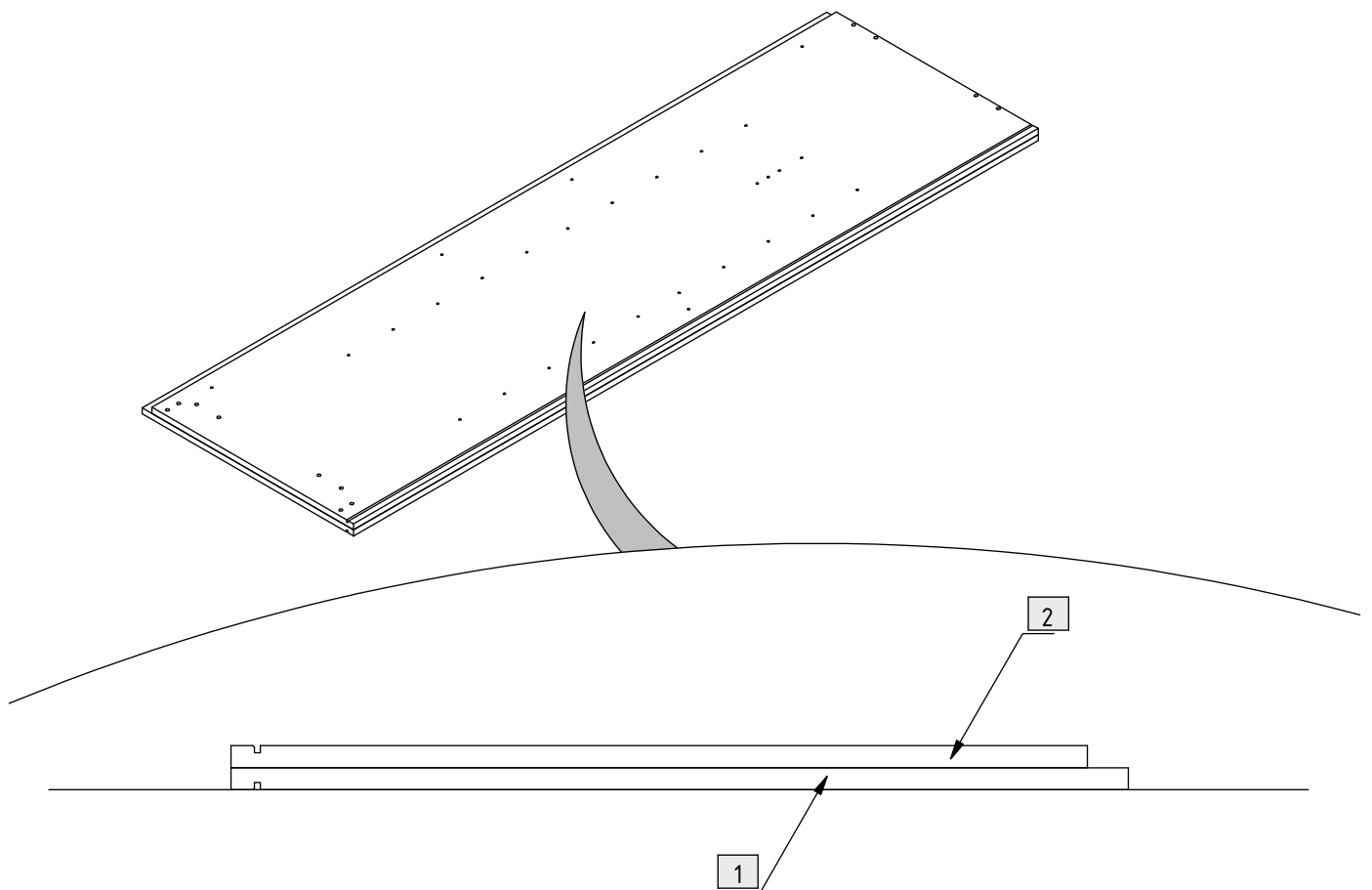
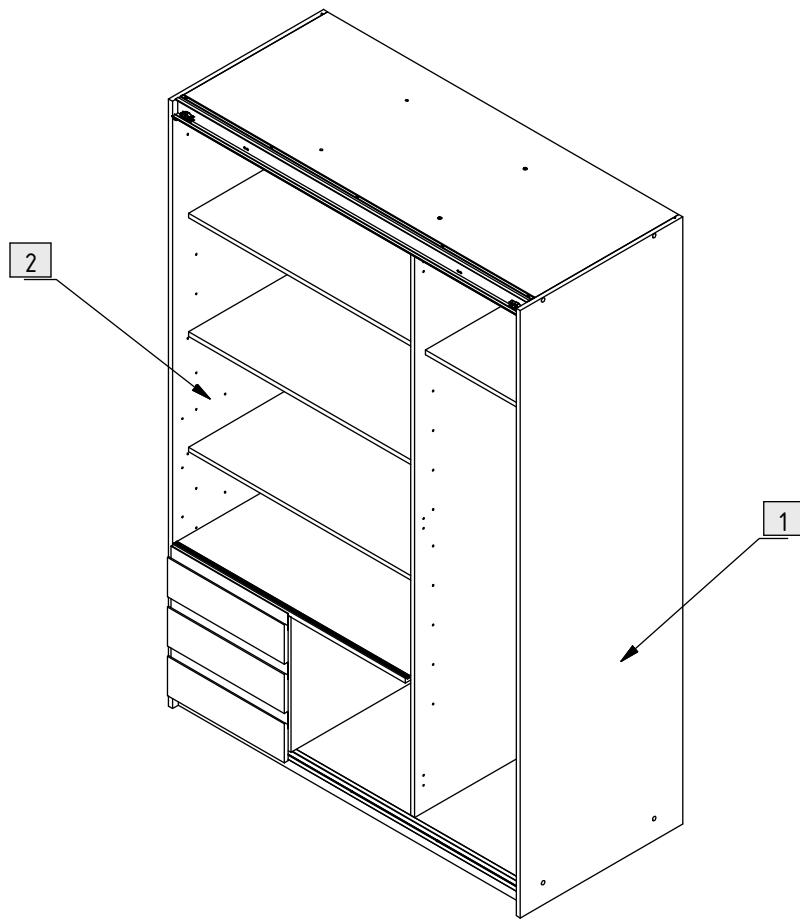


21 + 22 + 23 + 24

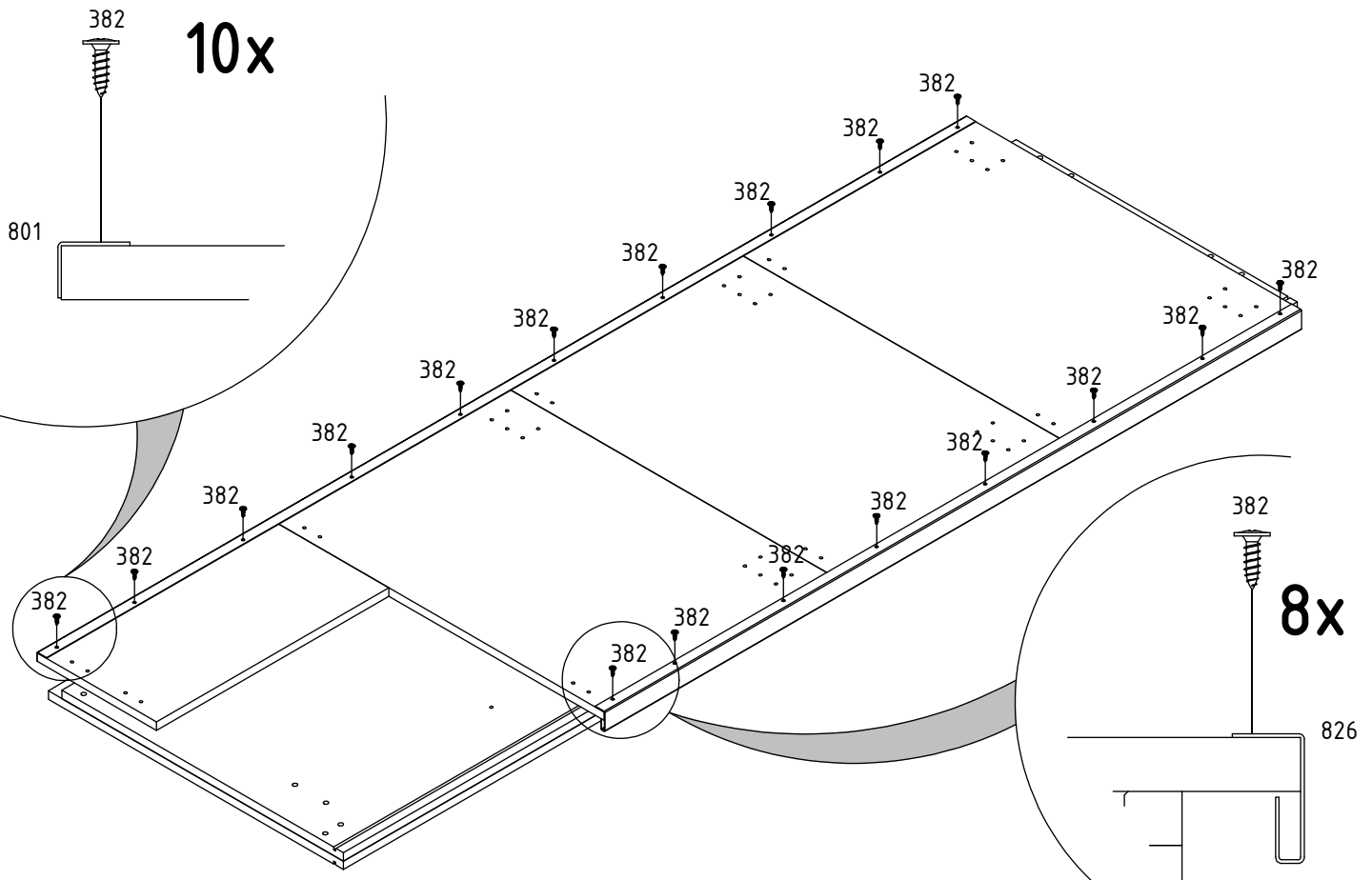
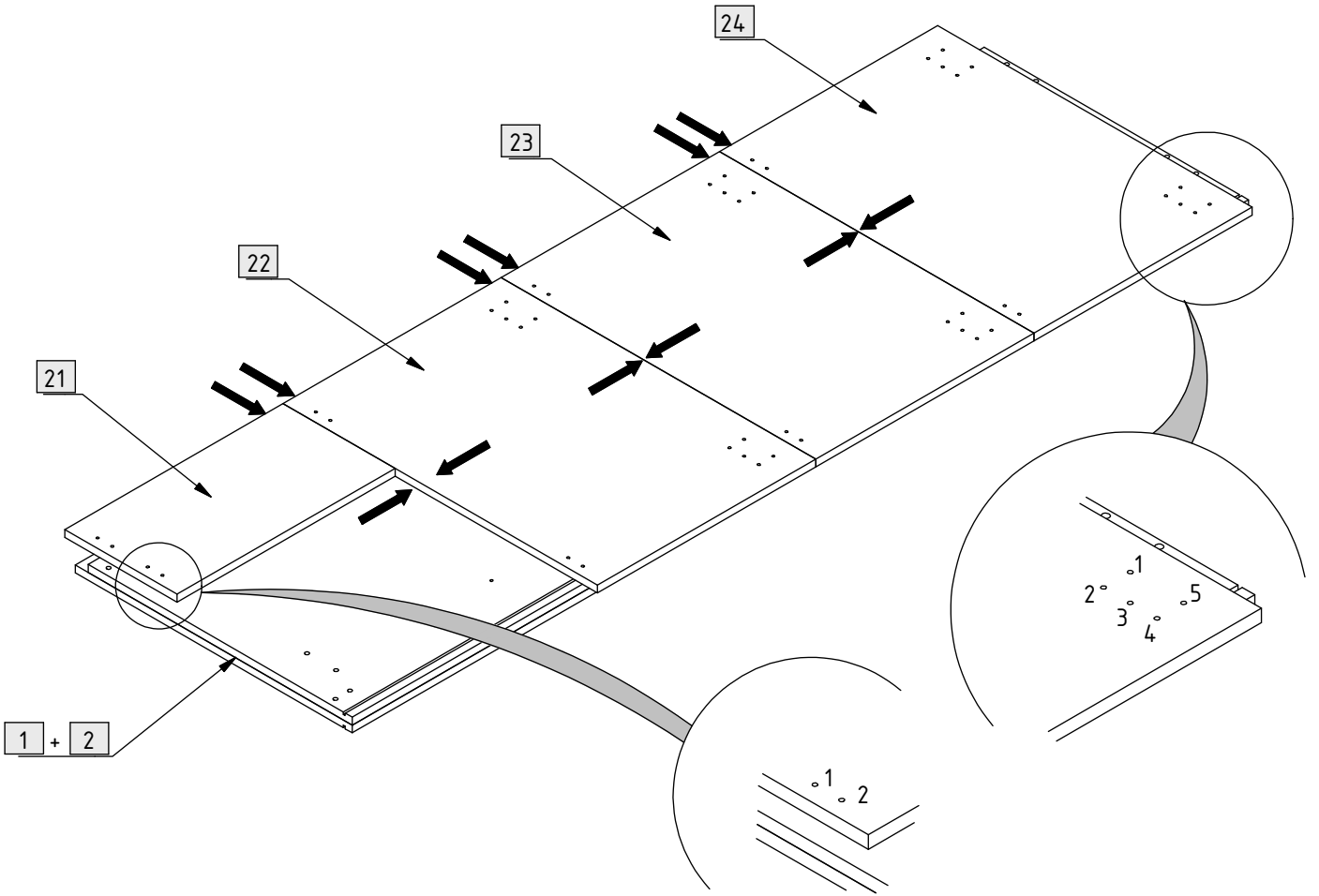
| | | | |
|-----|----|--|---------------|
| 230 | 4 | | |
| 306 | 10 | | 6,3 x 10,0 mm |
| 380 | 16 | | 3,5 x 15 mm |
| 382 | 18 | | 4 x 13 mm |
| 801 | 1 | | L = 1915 mm |
| 804 | 2 | | |
| 805 | 1 | | |
| 806 | 1 | | |
| 807 | 1 | | |
| 826 | 1 | | L = 1436 mm |

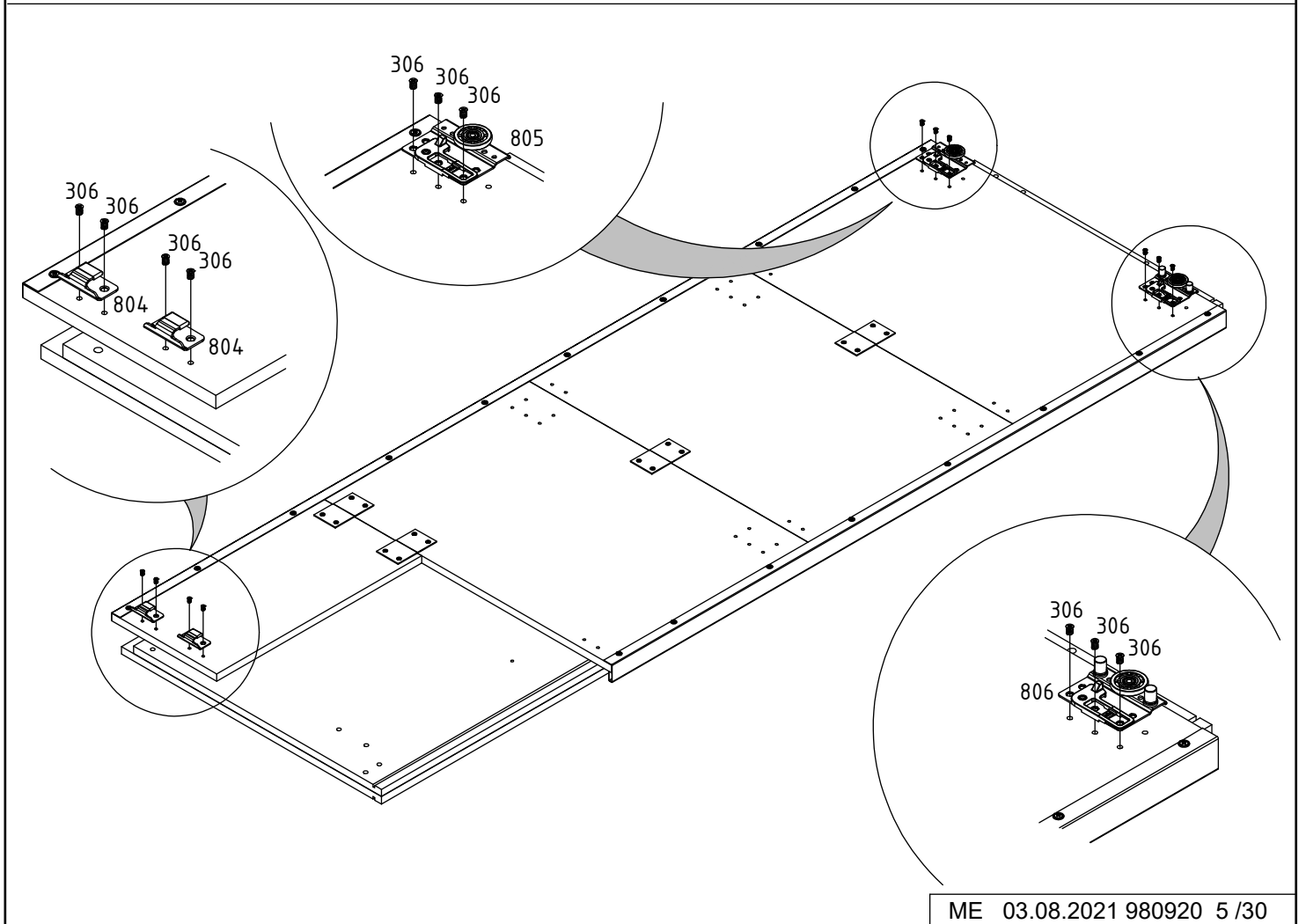
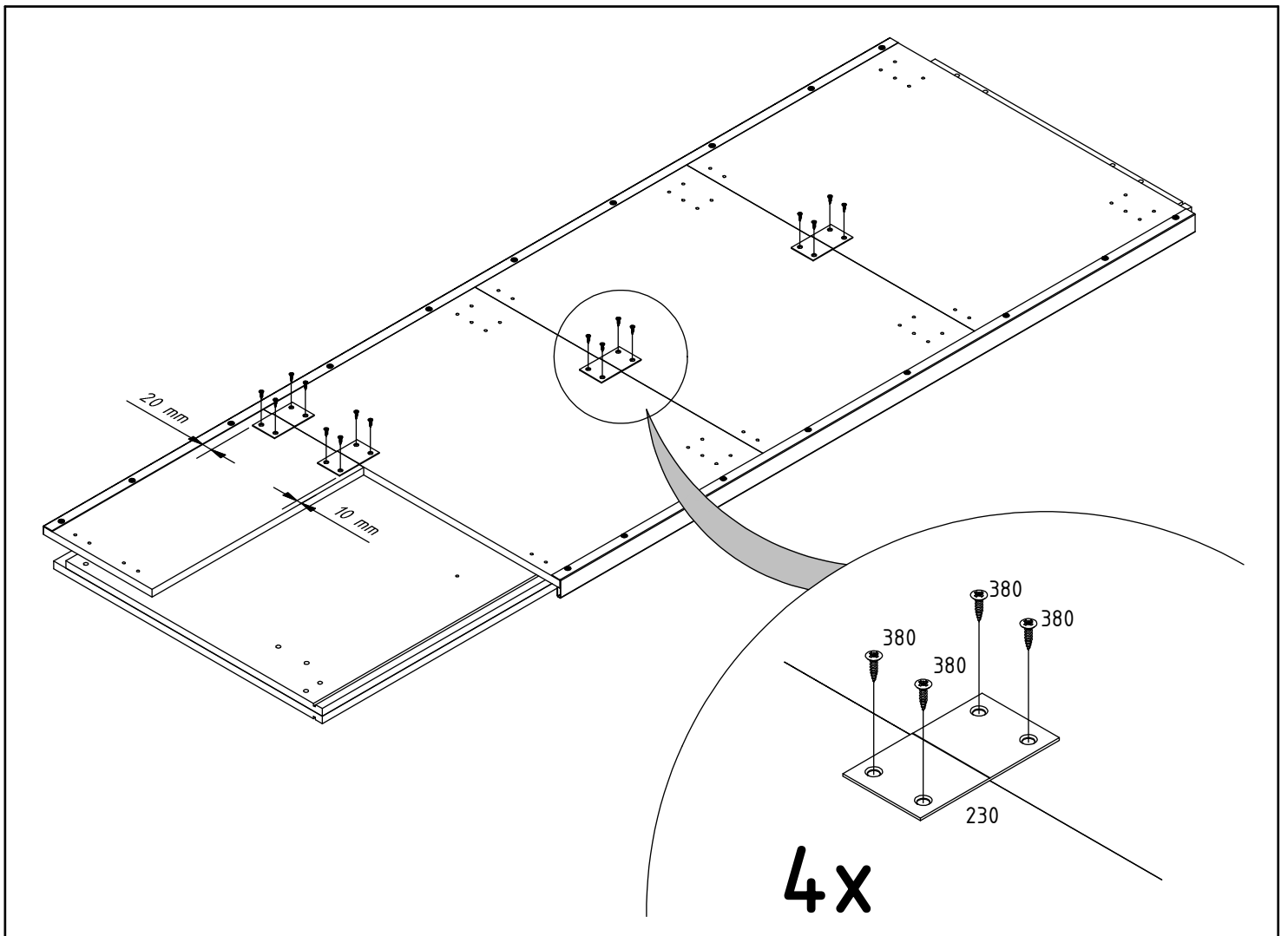
31 + 32 + 33 + 34

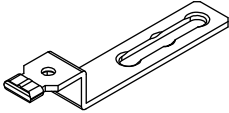
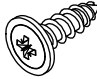

| | | | |
|-----|----|--|-------------|
| 230 | 3 | | |
| 306 | 14 | | 6,3 x 10 mm |
| 380 | 12 | | 3,5 x 15 mm |
| 382 | 20 | | 4 x 13 mm |
| 800 | 2 | | L = 1915 mm |
| 802 | 2 | | |
| 803 | 2 | | |

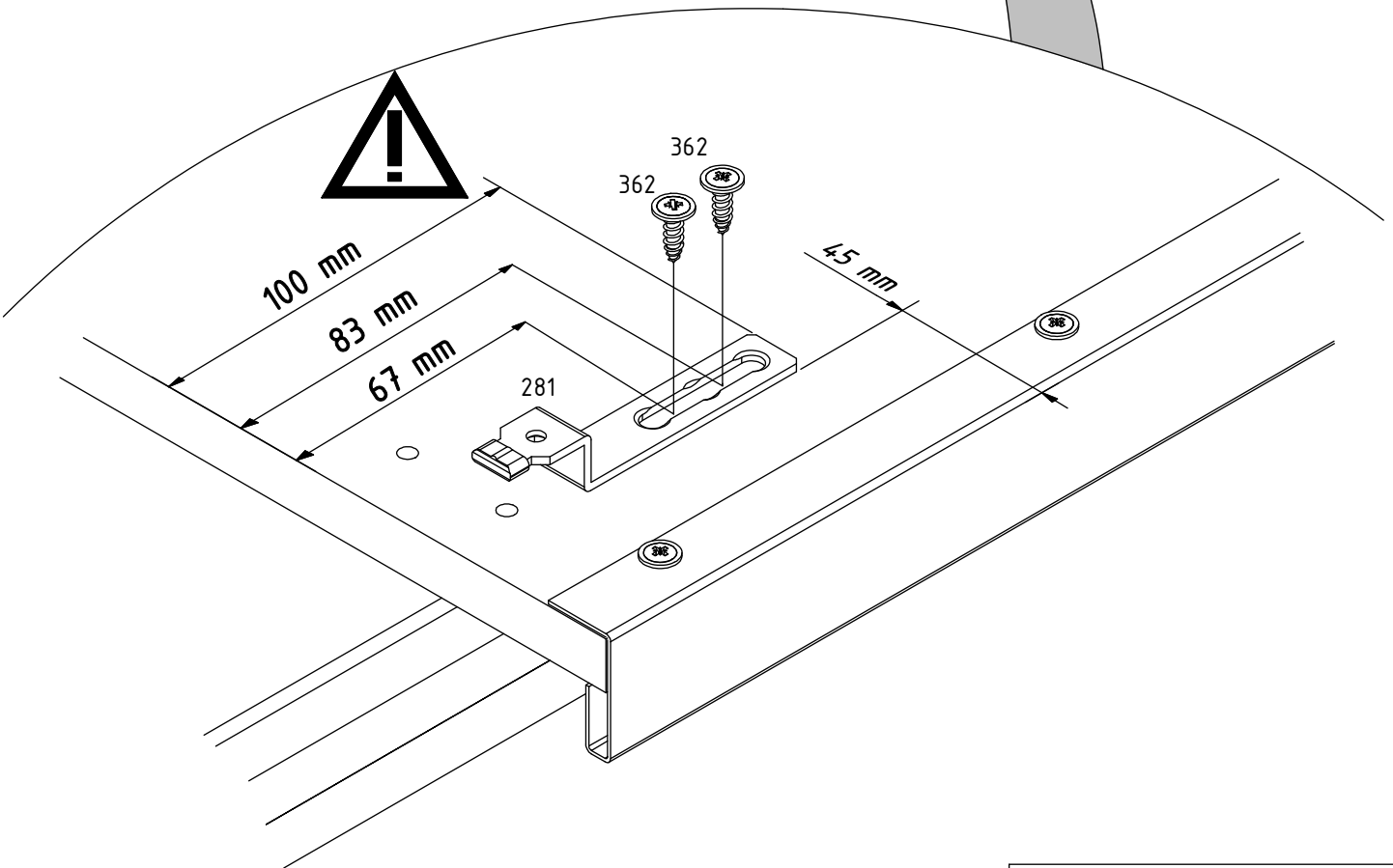
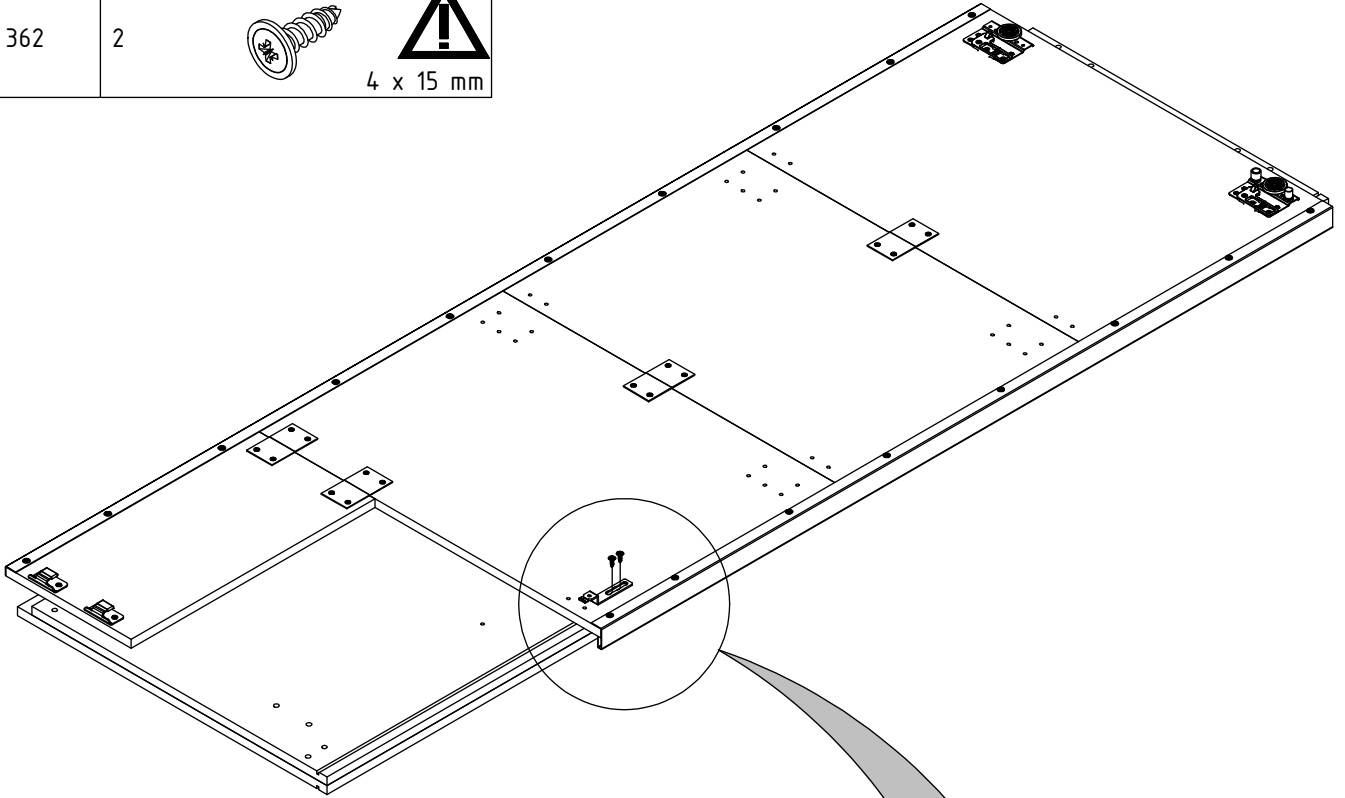


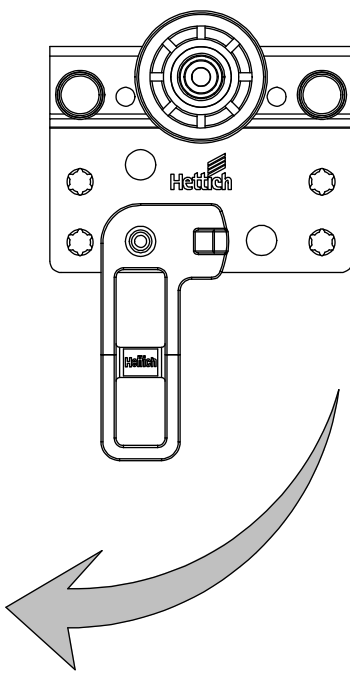
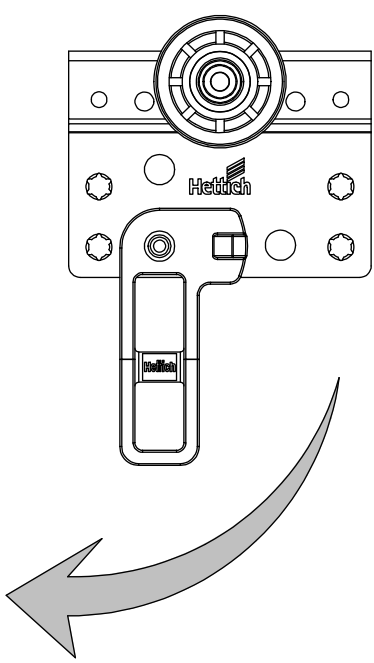
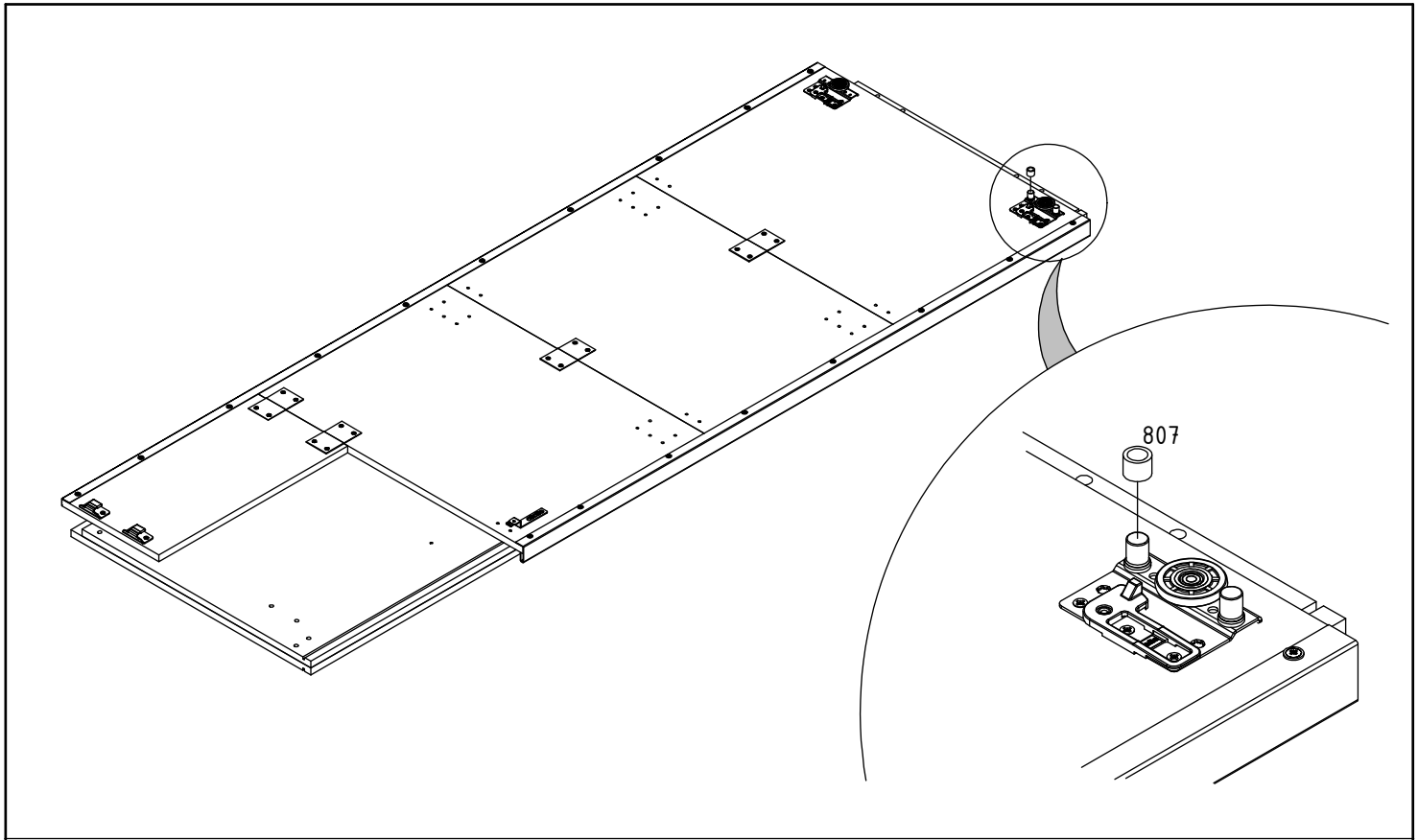
21 + 22 + 23 + 24

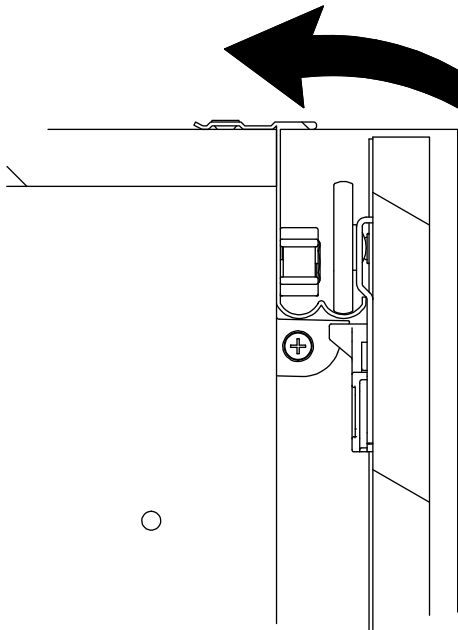
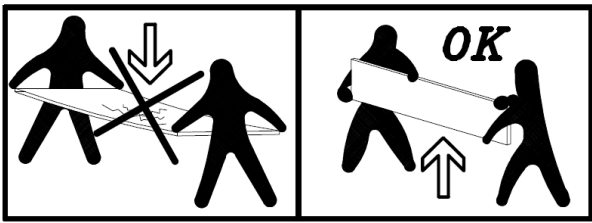




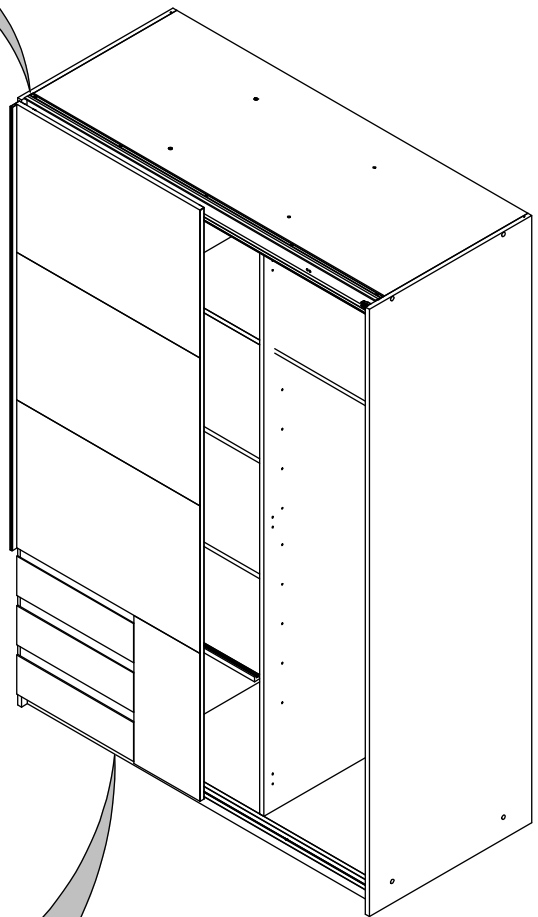
| | | |
|-----|---|--|
| 281 | 1 |  |
| 362 | 2 |   4 x 15 mm |



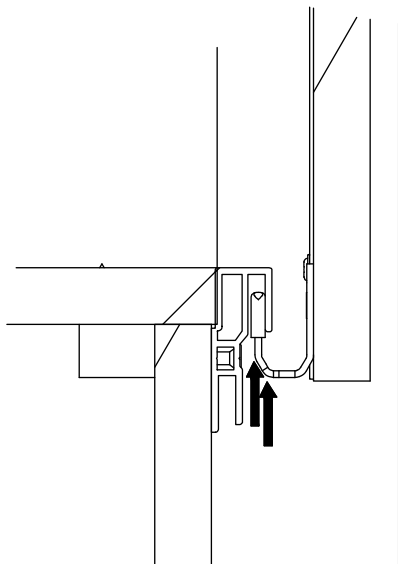




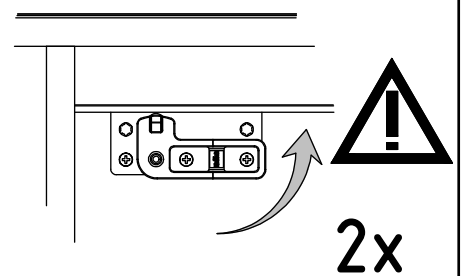
2.



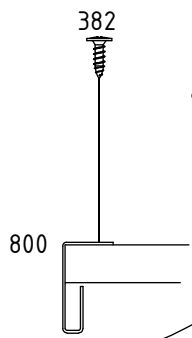
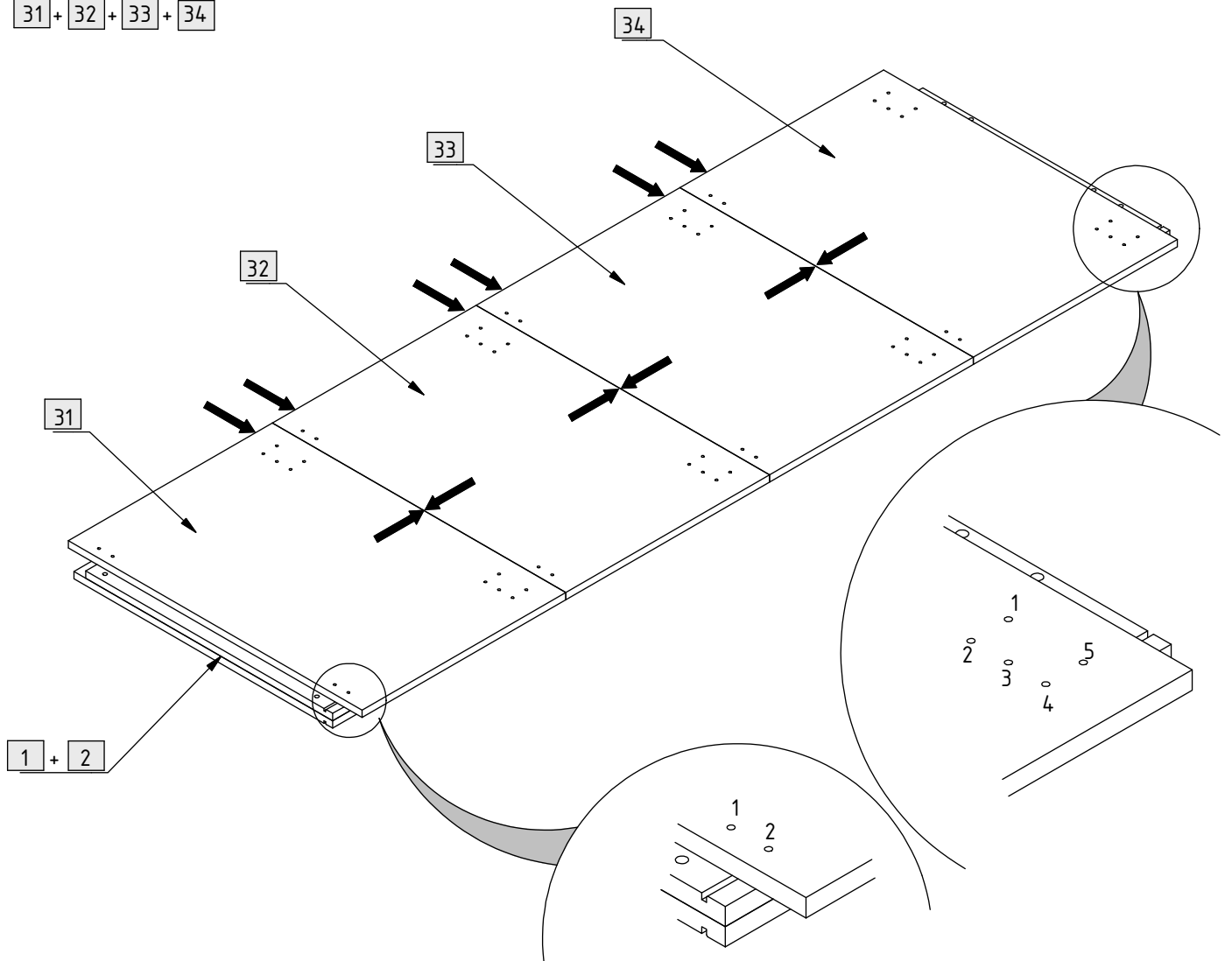
1.



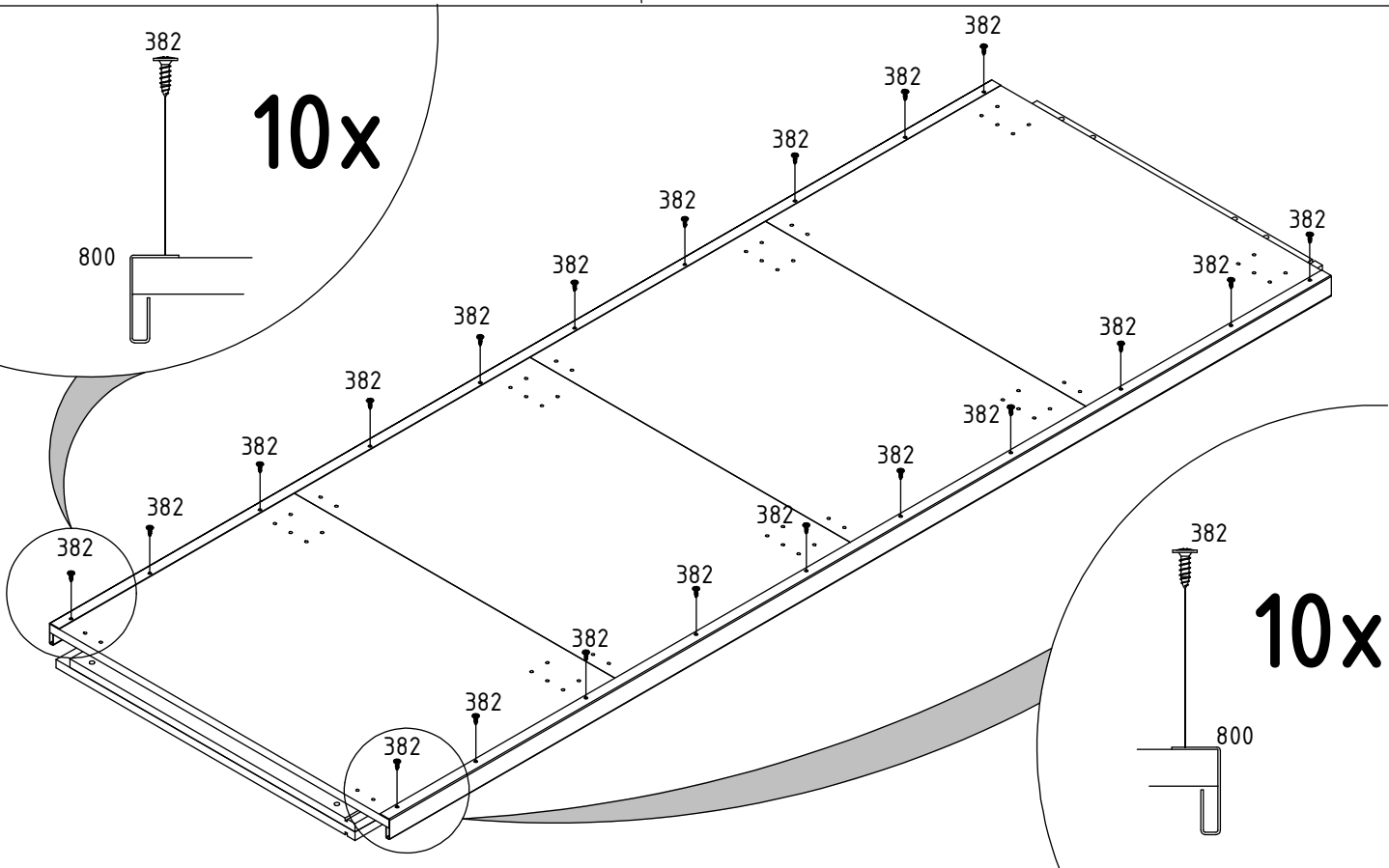
3.



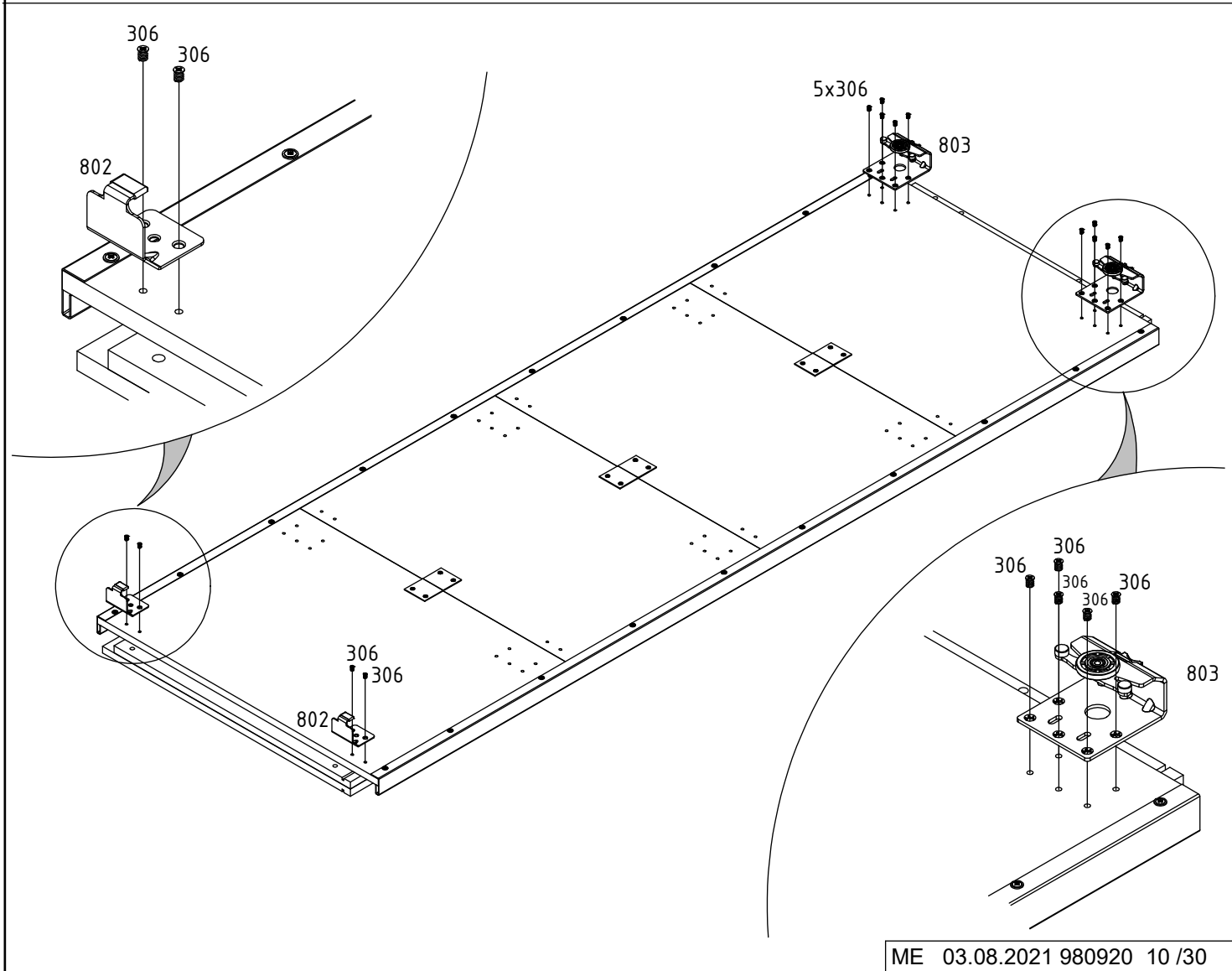
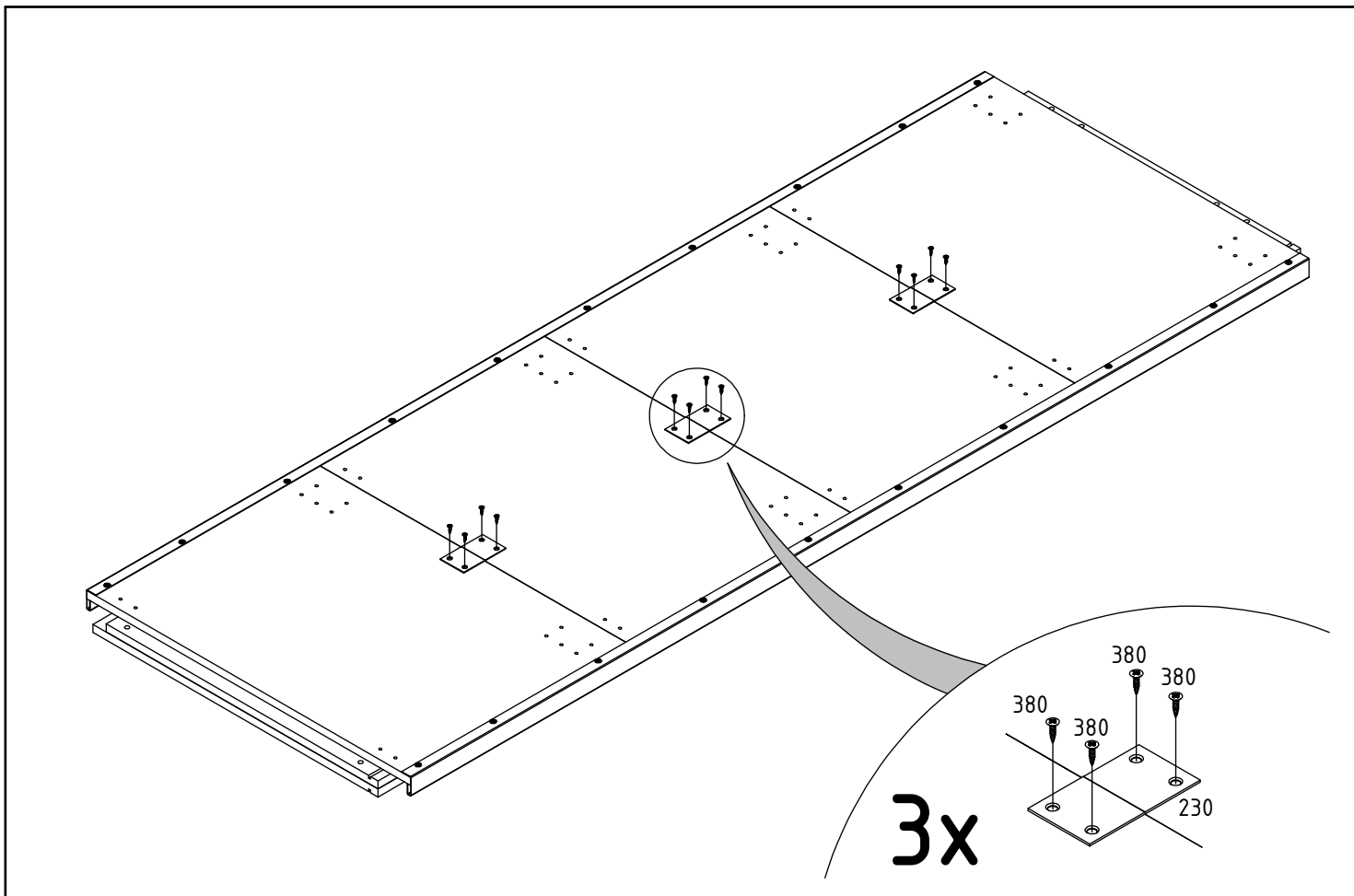
31 + 32 + 33 + 34

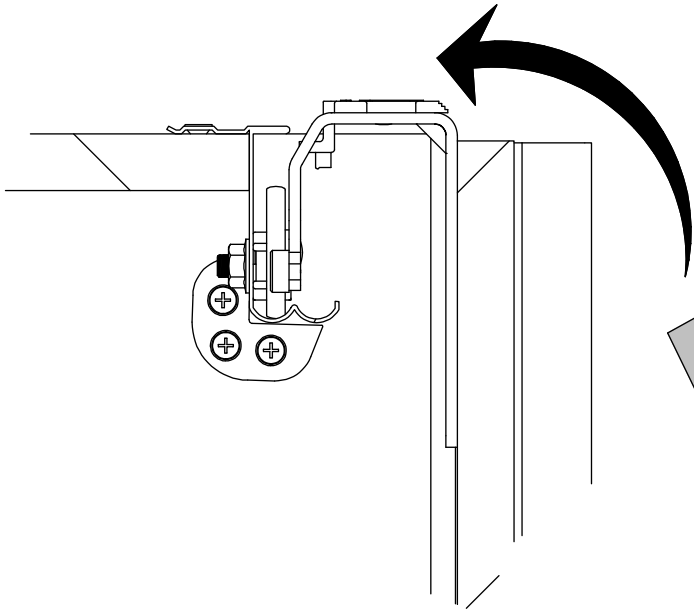
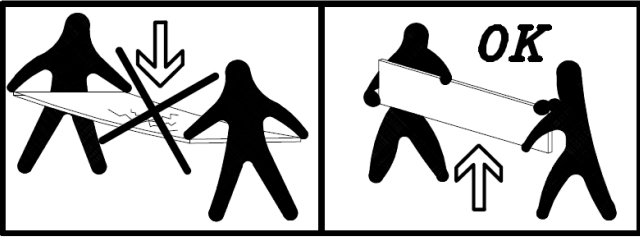


10x

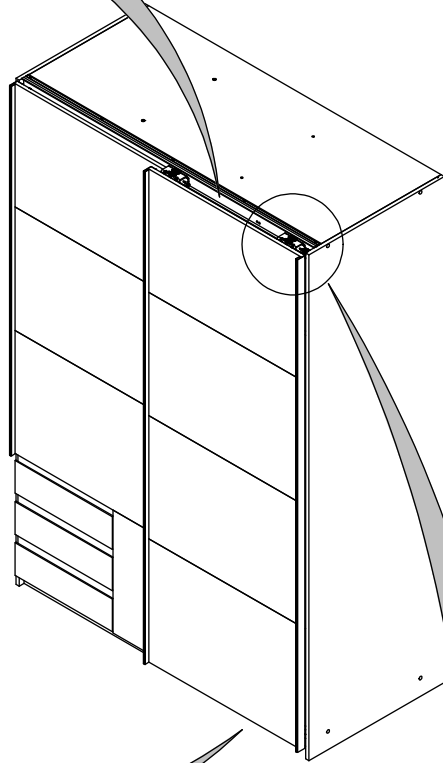


10x

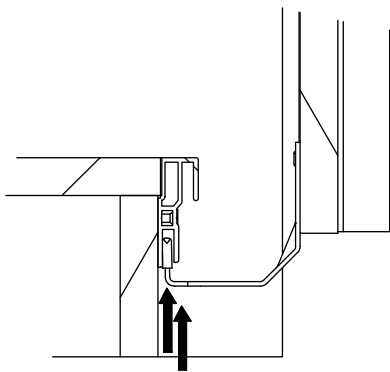




2.



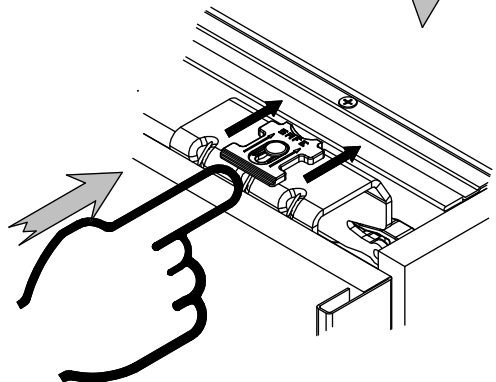
1.

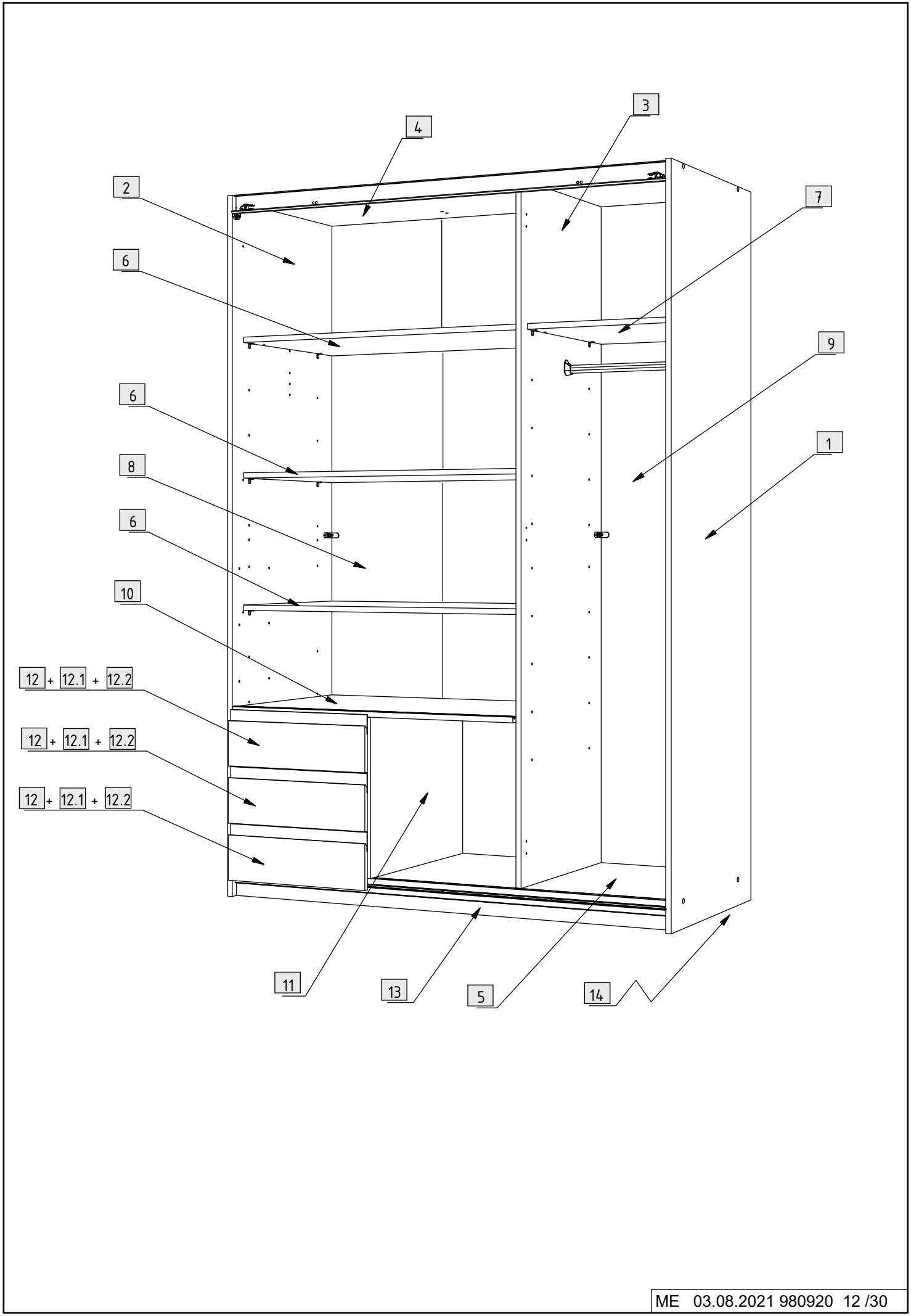


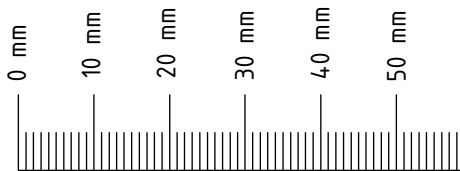
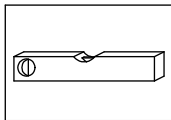
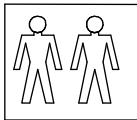
3.



2x

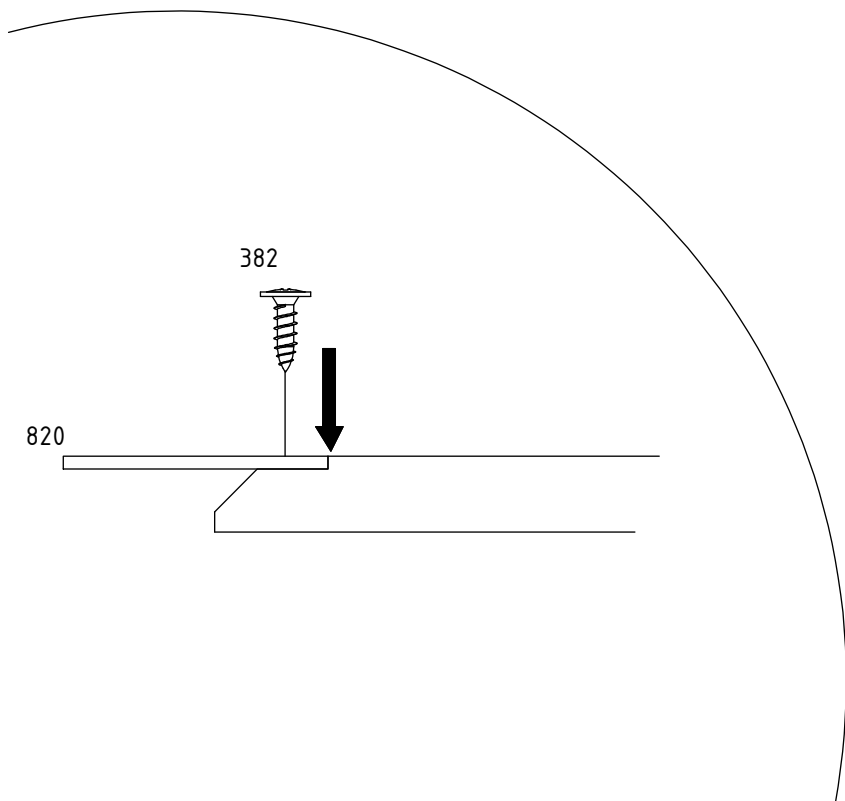
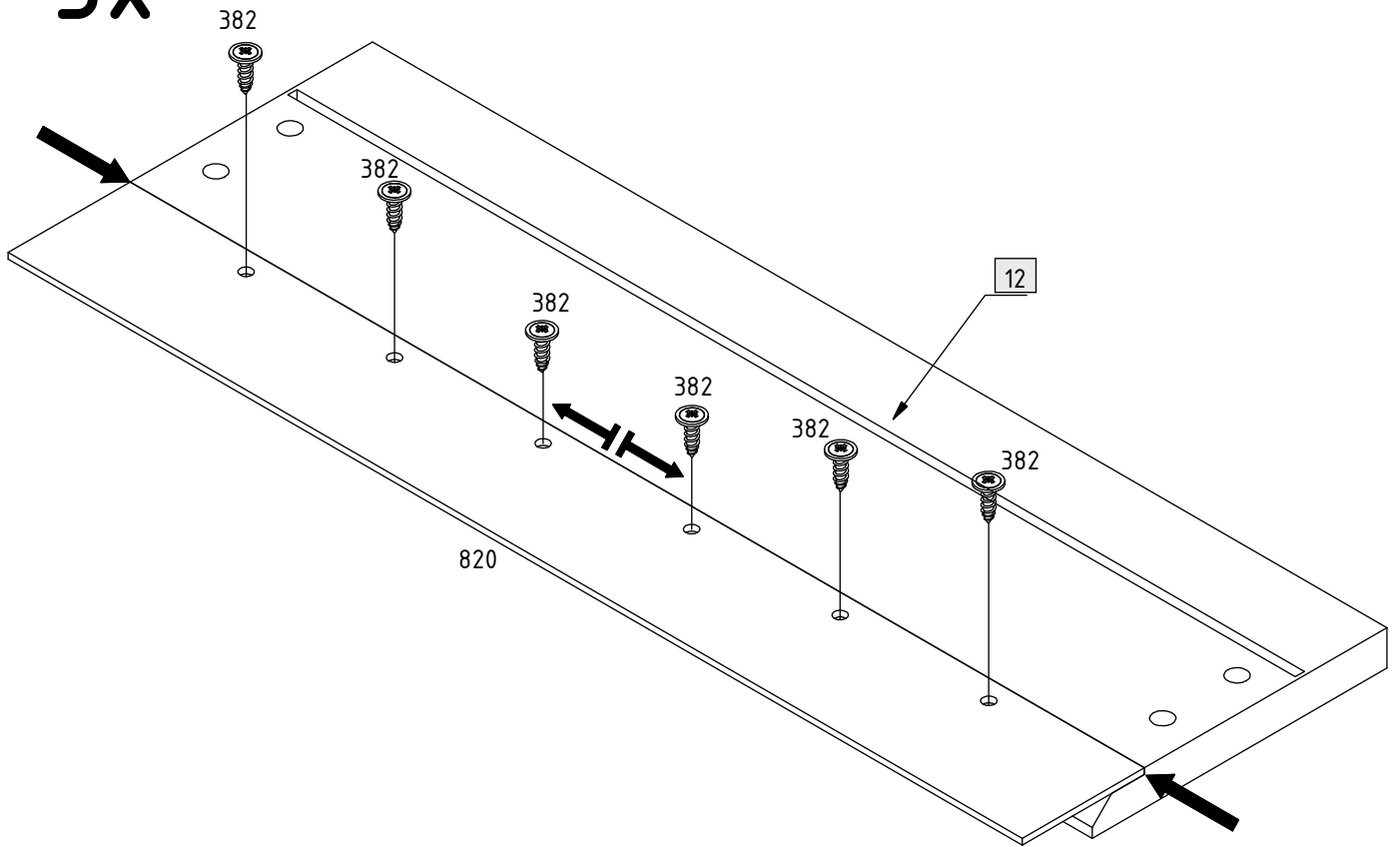




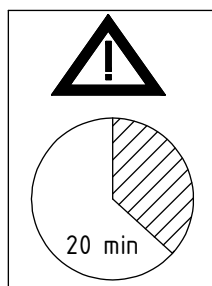
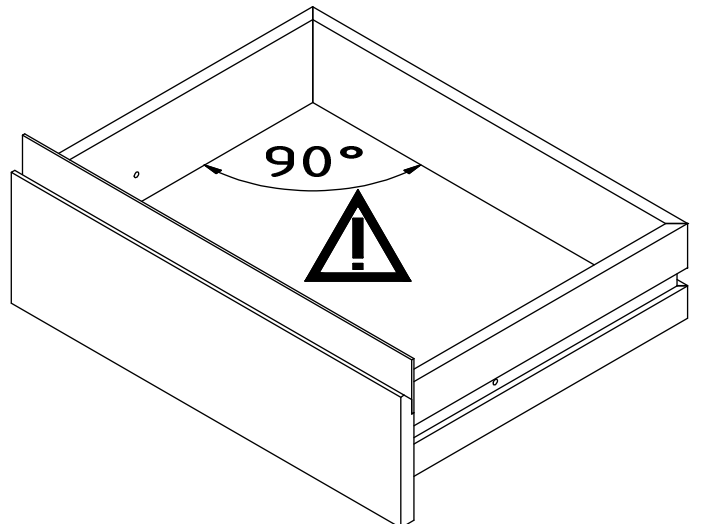
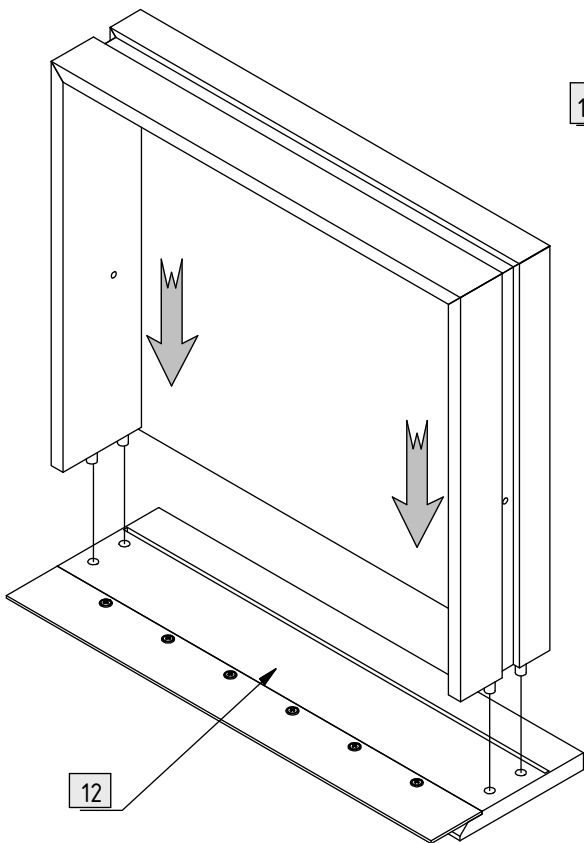
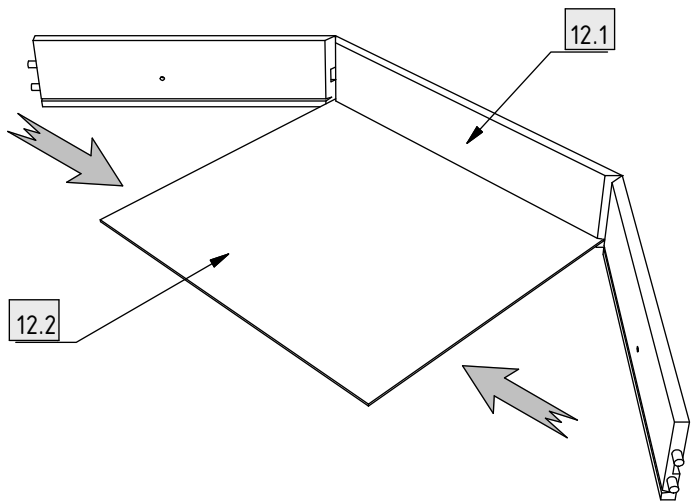
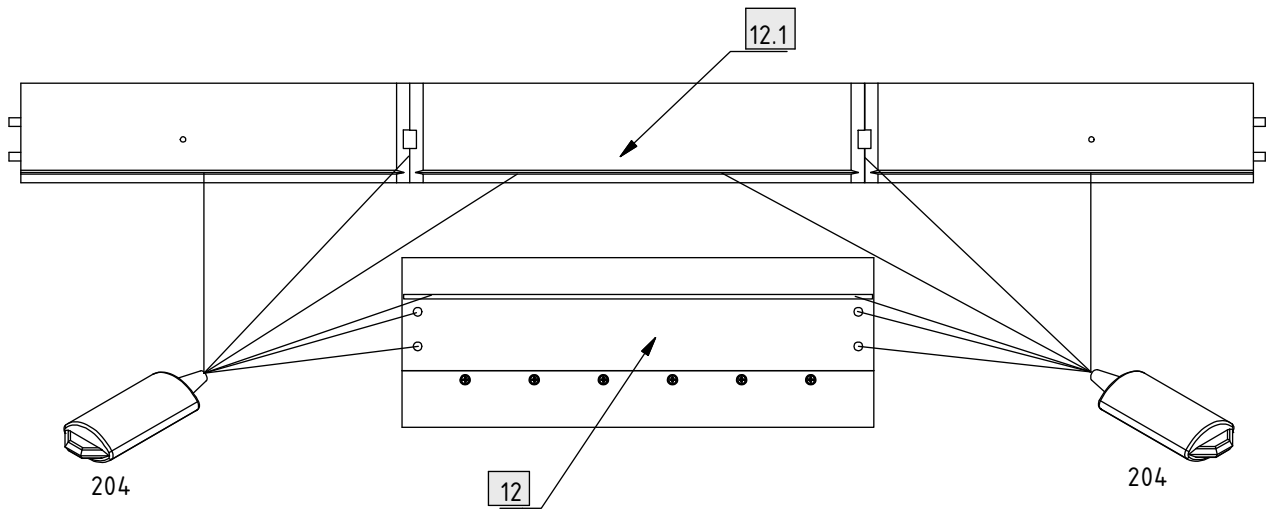


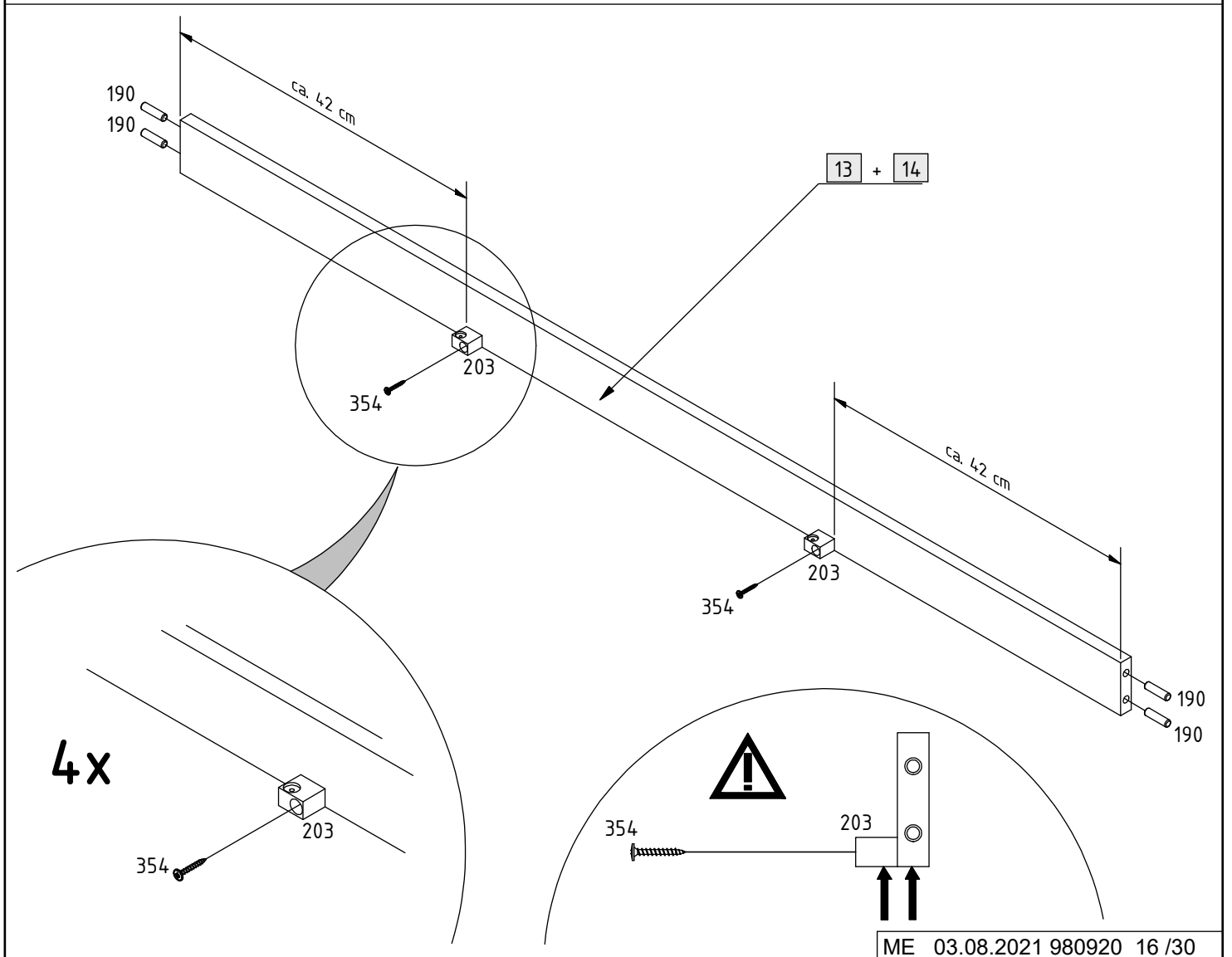
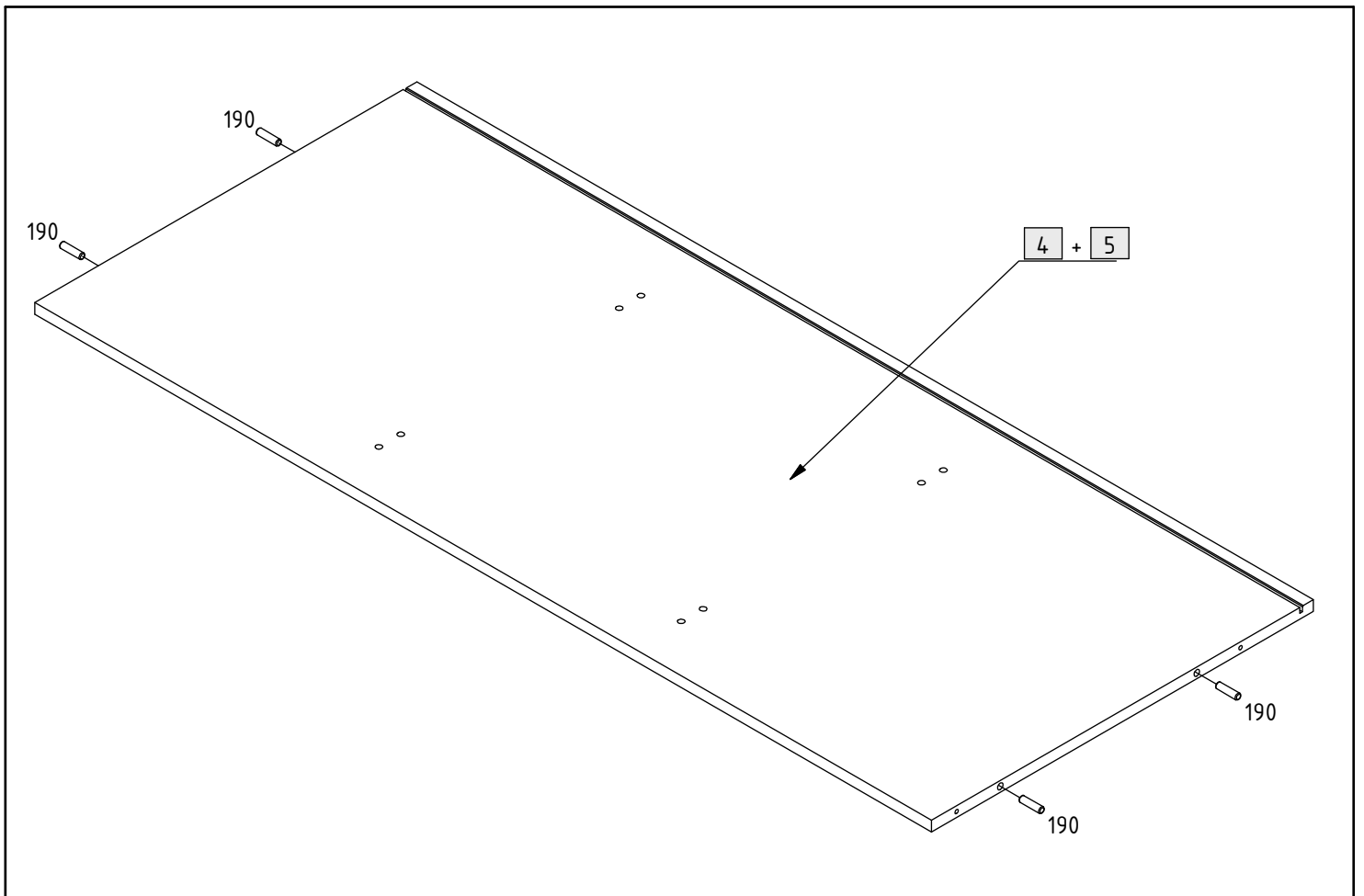
| | | | | | | | |
|-----|----|--|------------|-----|----|--|-------------|
| 102 | 8 | | | 354 | 8 | | 3,5 x 25 mm |
| 181 | 16 | | | 380 | 21 | | 3,5 x 15 mm |
| 190 | 22 | | Ø8 x 30 mm | 381 | 5 | | 4 x 20 mm |
| 201 | 2 | | | 382 | 18 | | 4 x 13 mm |
| 203 | 4 | | | 408 | 6 | | M4 x 9 mm |
| 204 | 3 | | | 744 | 1 | | |
| 215 | 6 | | | 791 | 1 | | L = 1313 mm |
| 220 | 8 | | | 793 | 1 | | L = 1313 mm |
| 221 | 4 | | | 795 | 2 | | |
| 240 | 4 | | | 796 | 2 | | |
| 245 | 2 | | | 797 | 2 | | M6 x 16 mm |
| 303 | 4 | | 6 x 10mm | 798 | 2 | | |
| 305 | 12 | | 6 x 9mm | 820 | 3 | | |
| 320 | 10 | | 6 x 50 mm | 890 | 1 | | L = 870 mm |
| 330 | 4 | | | | | | |

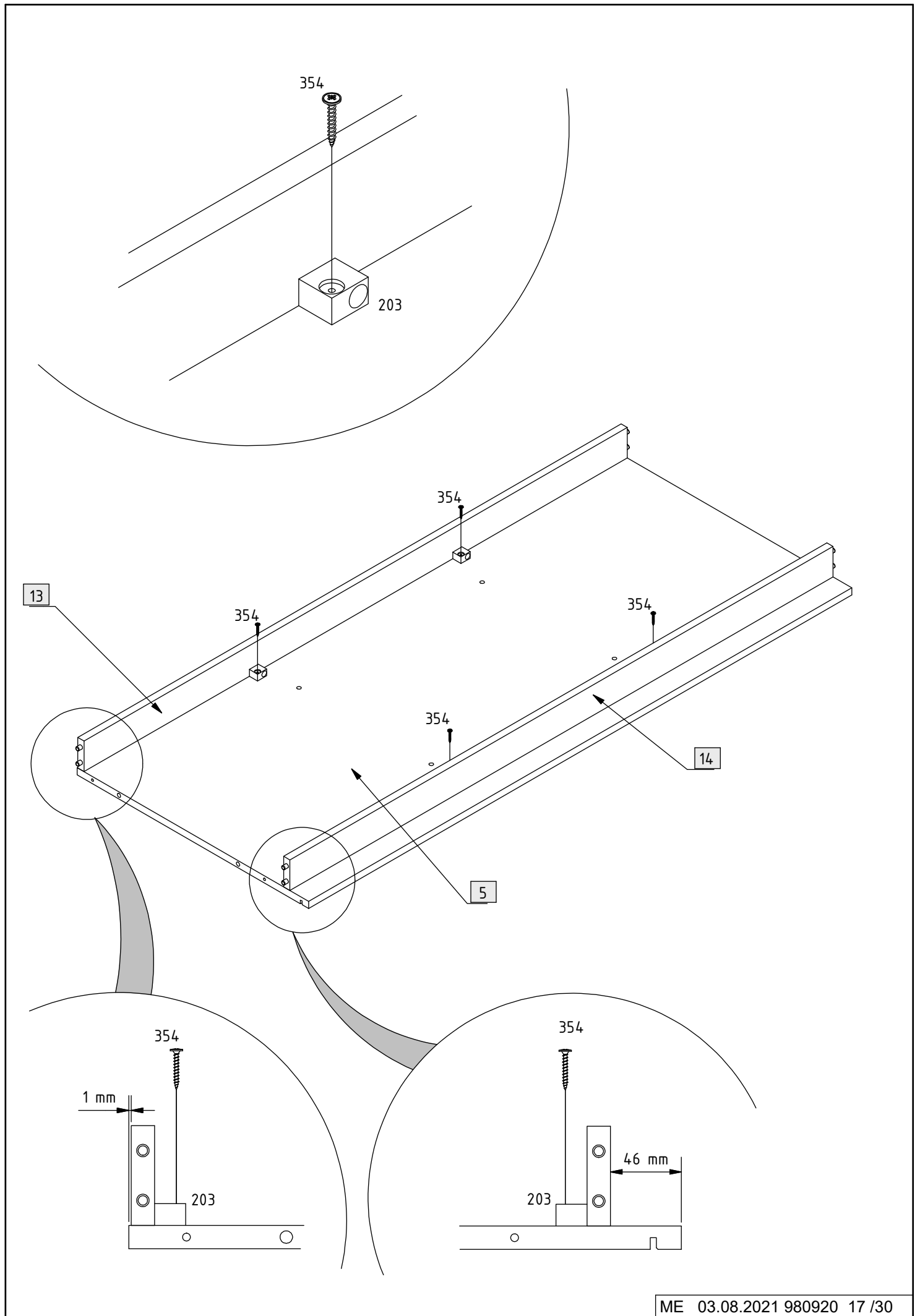
3x

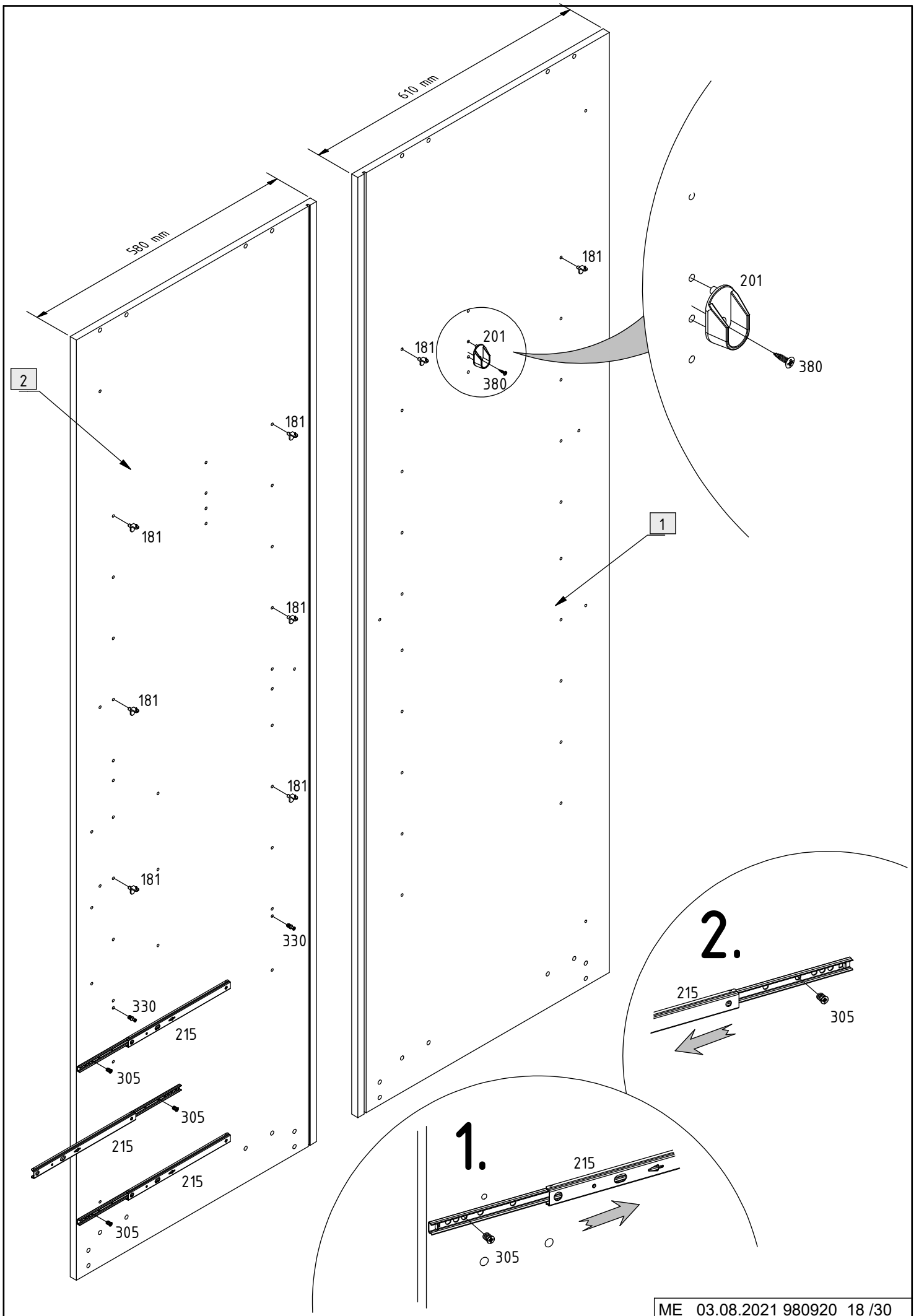


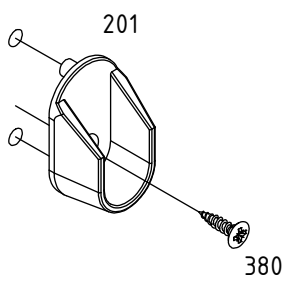
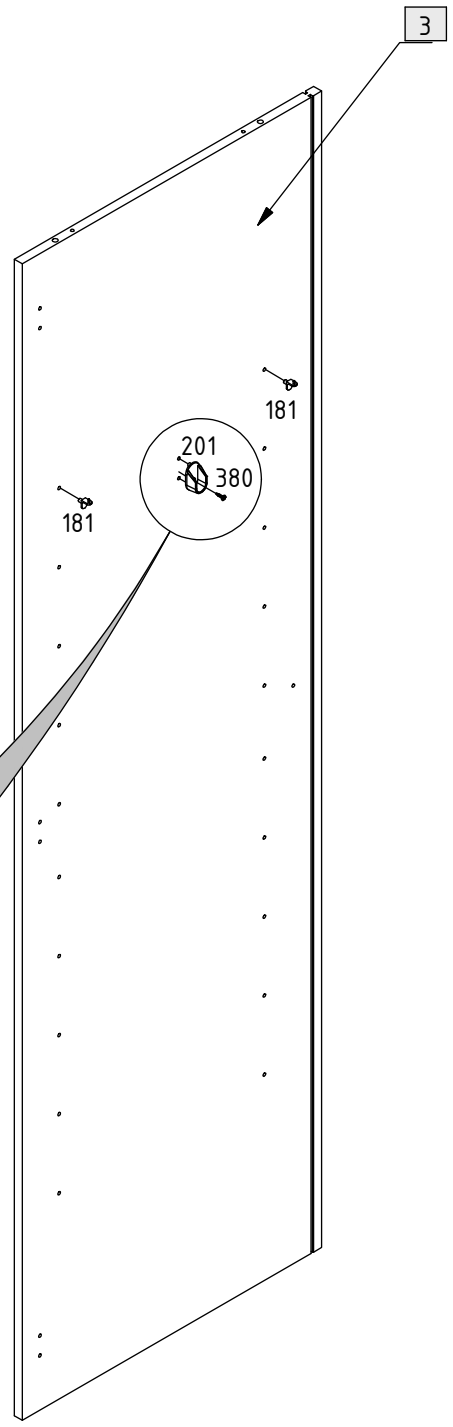
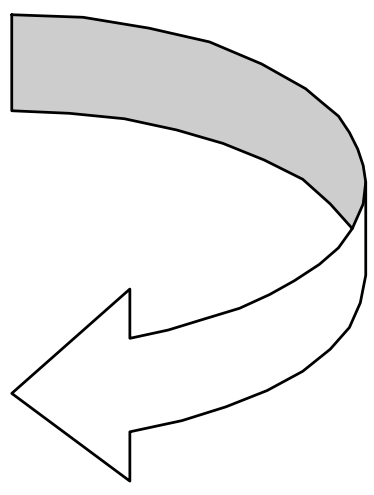
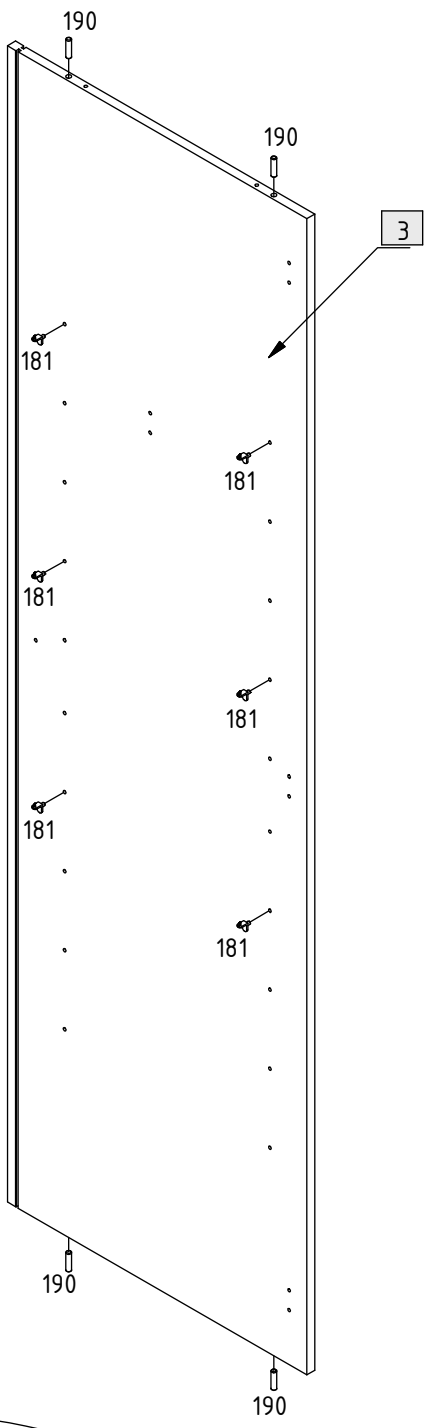
3x

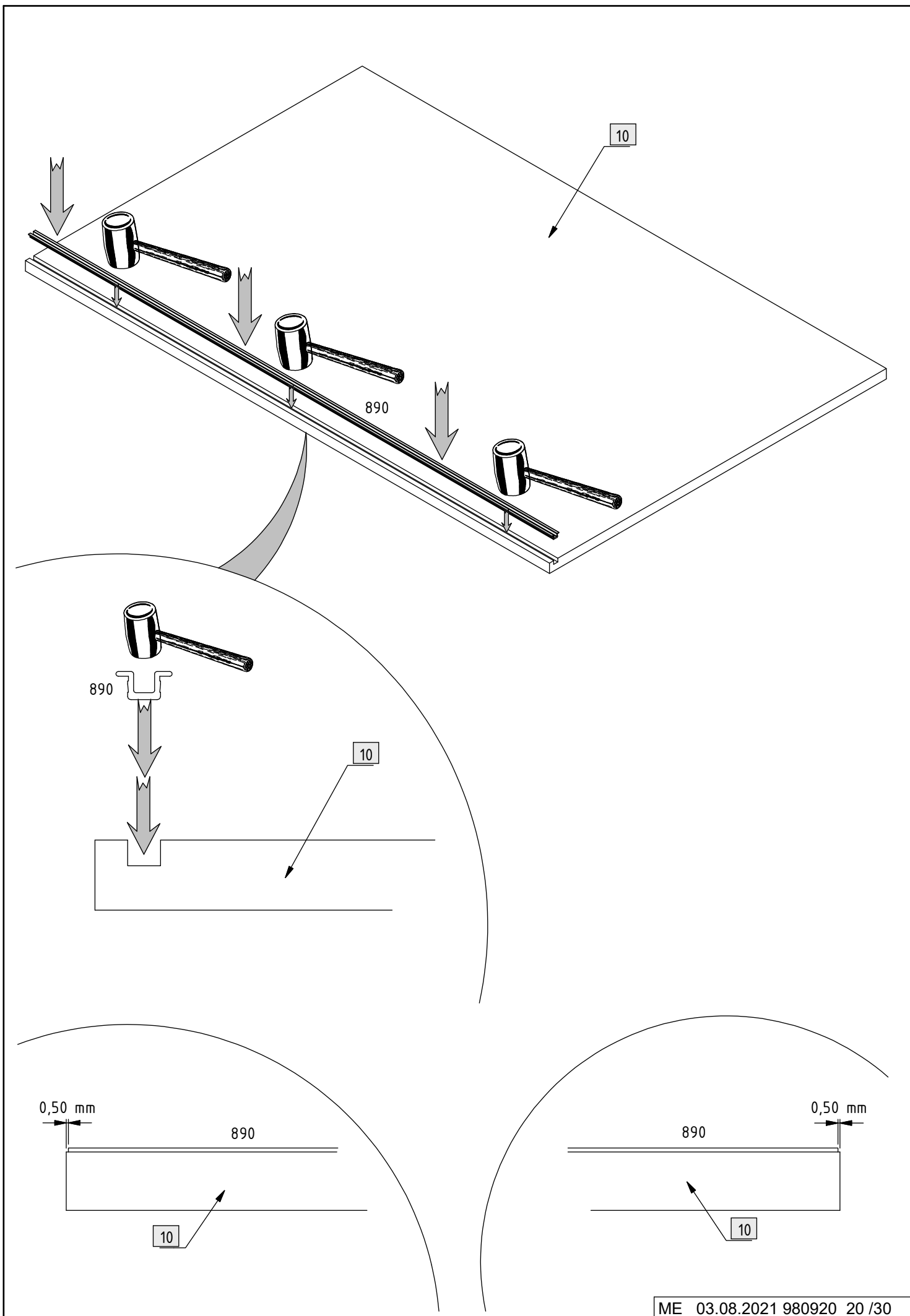


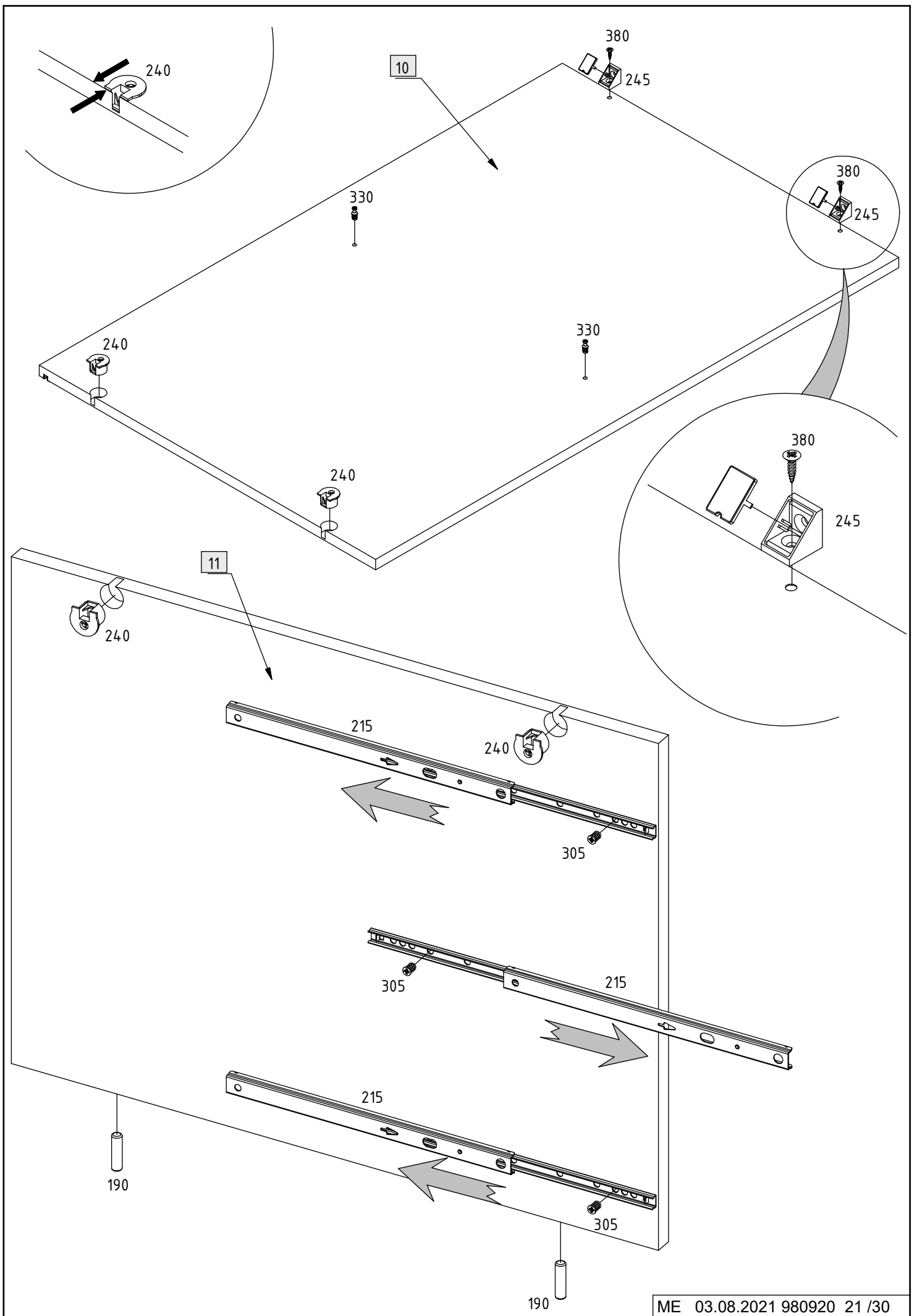


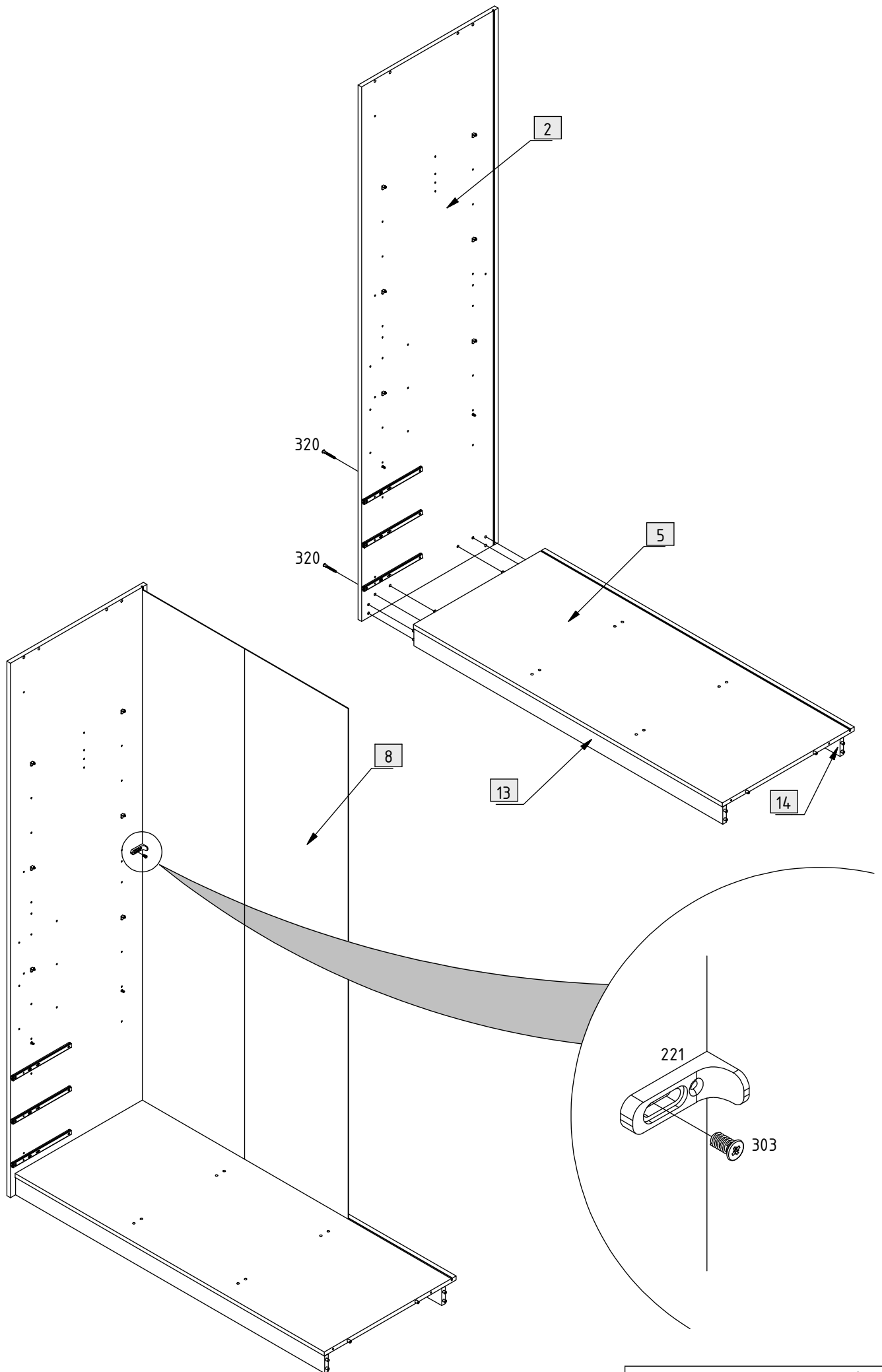


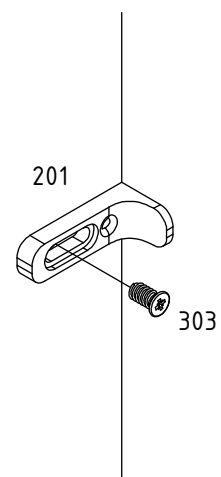
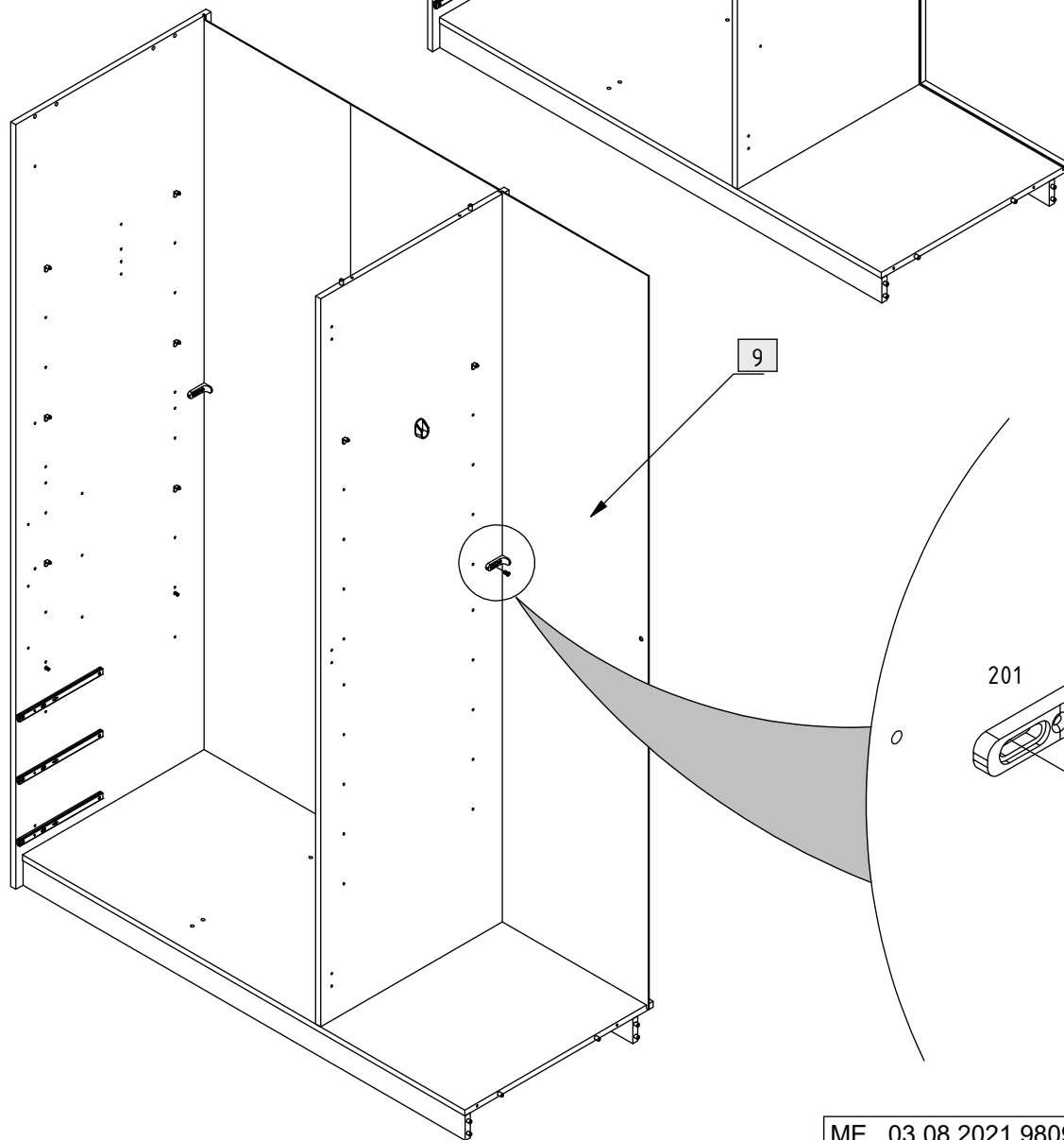
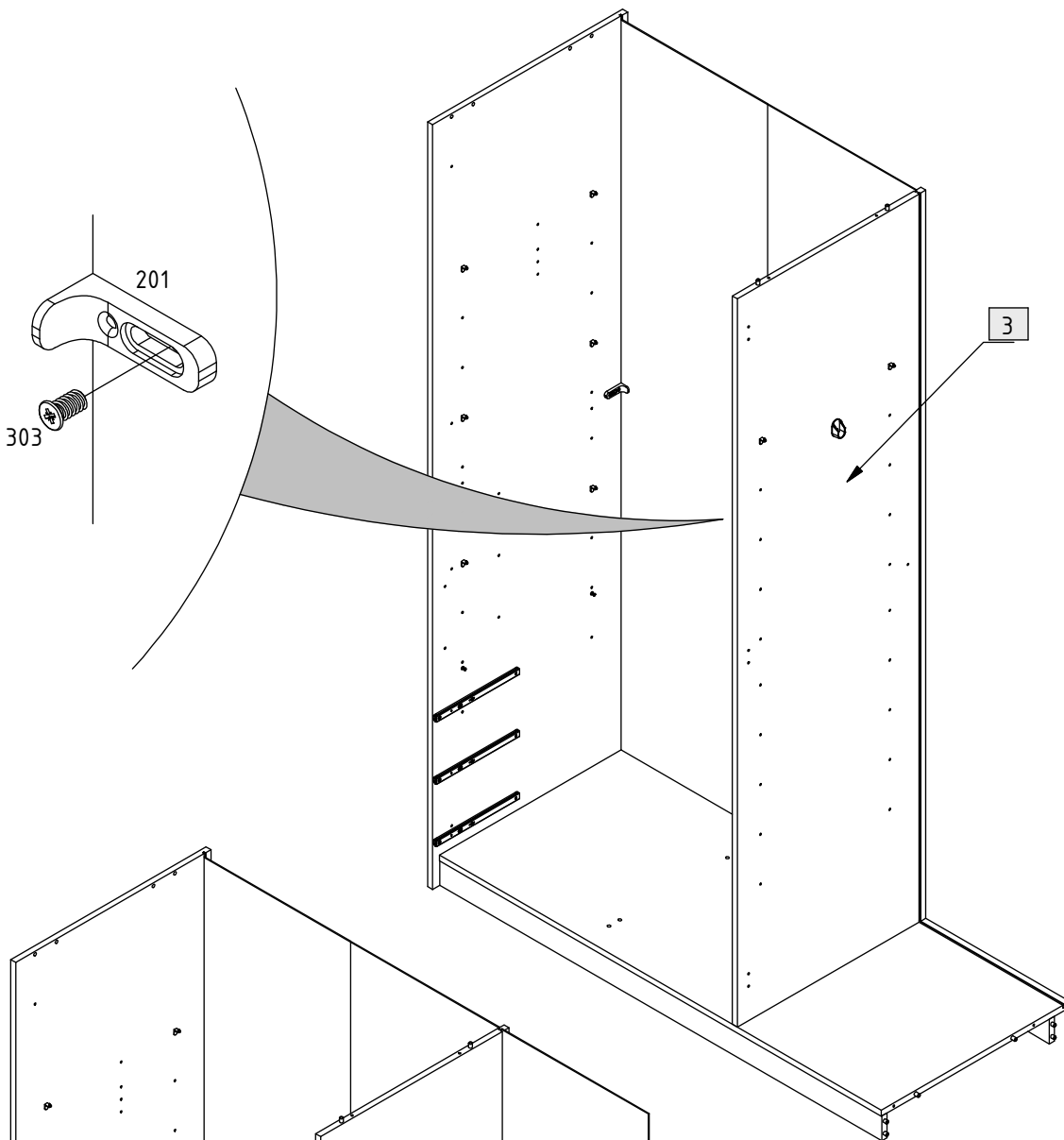
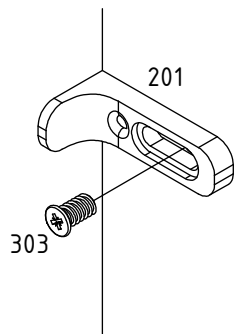


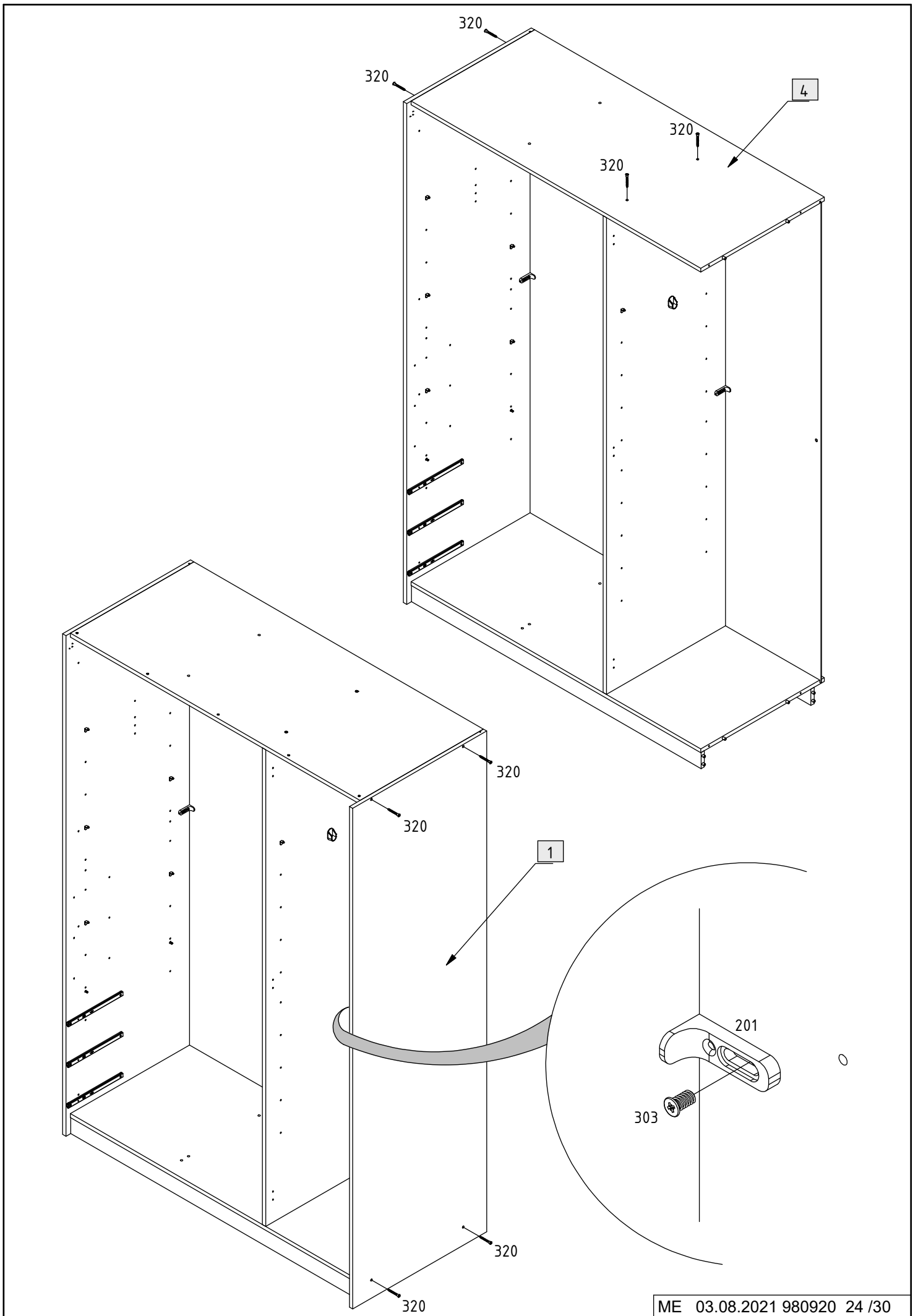


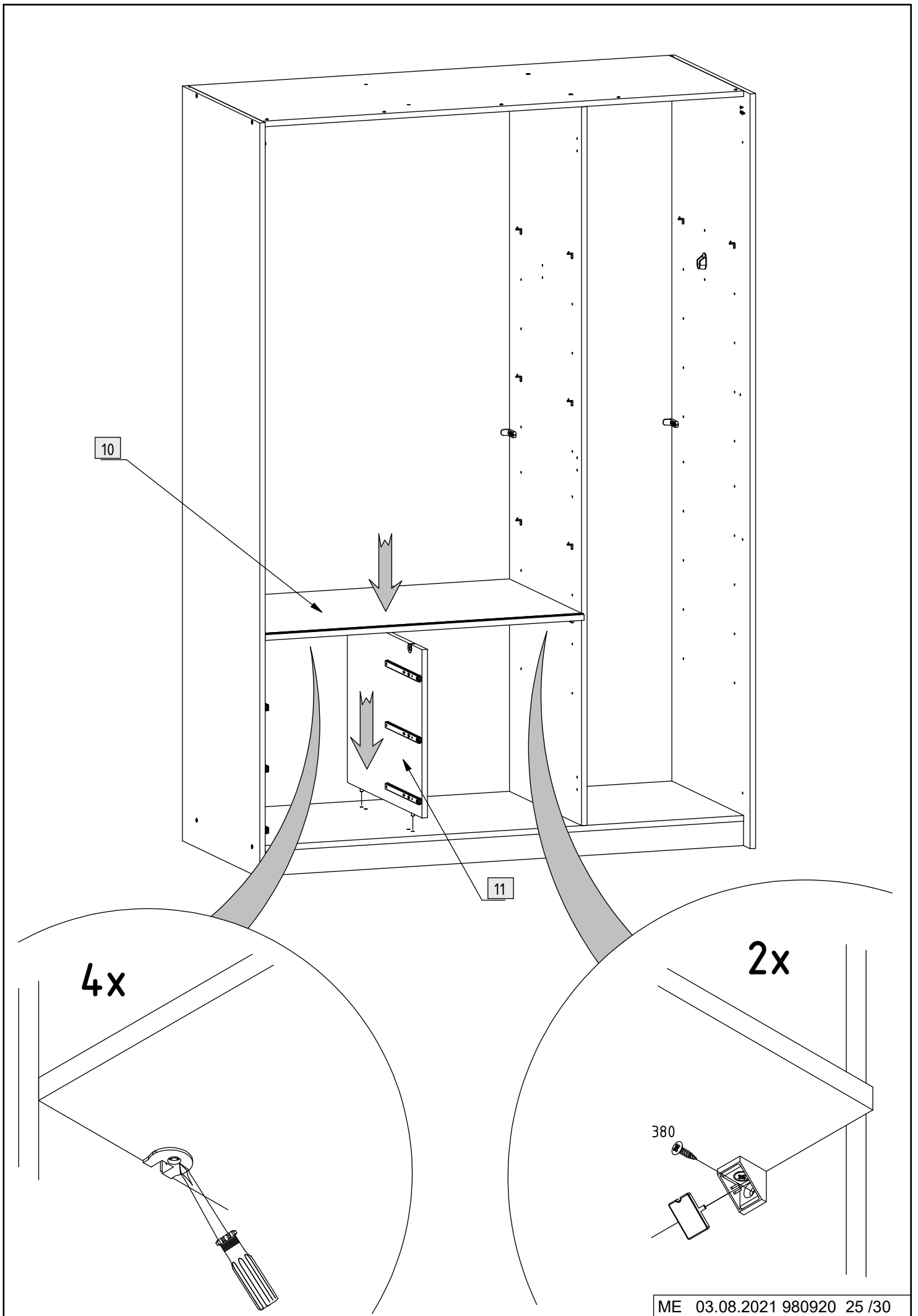


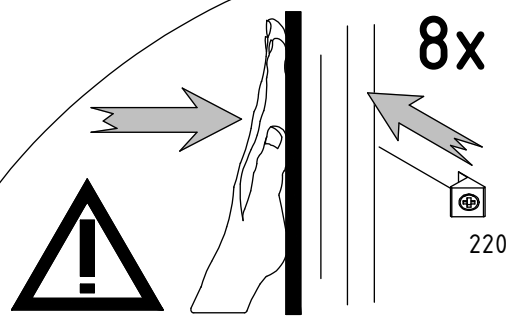
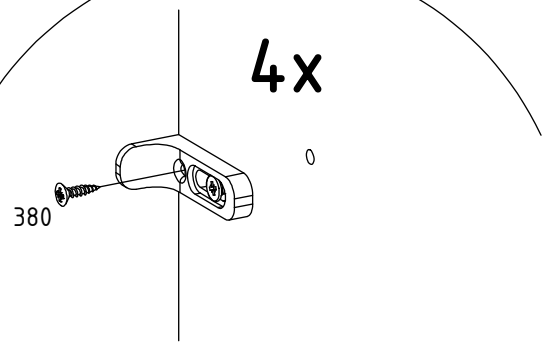
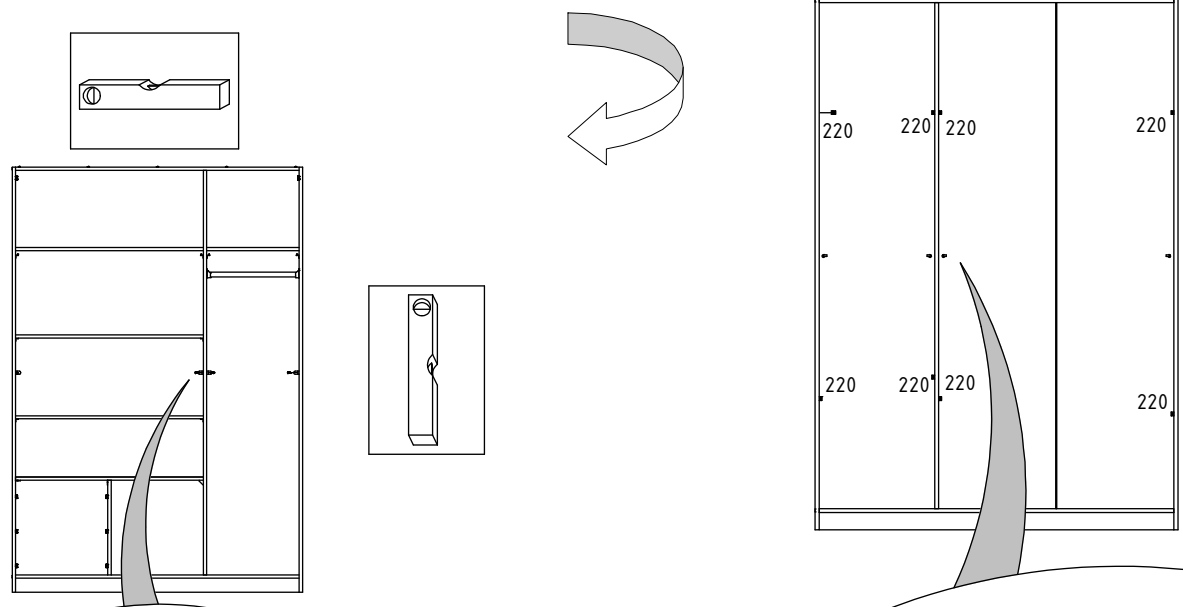
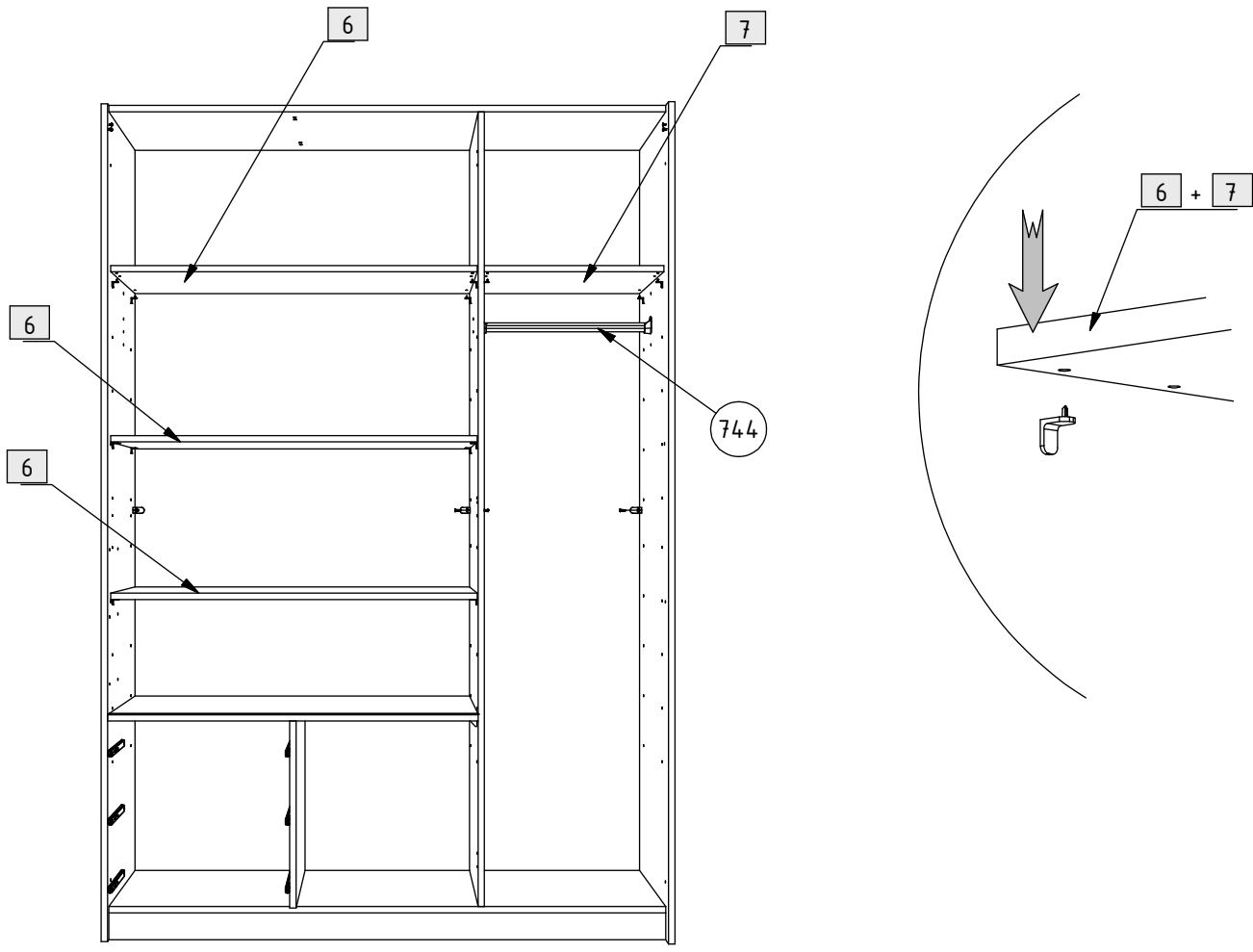












5x

380

793

380

380

380

380

380

793

381

381

381

381

381

791

5

791

381

5x

