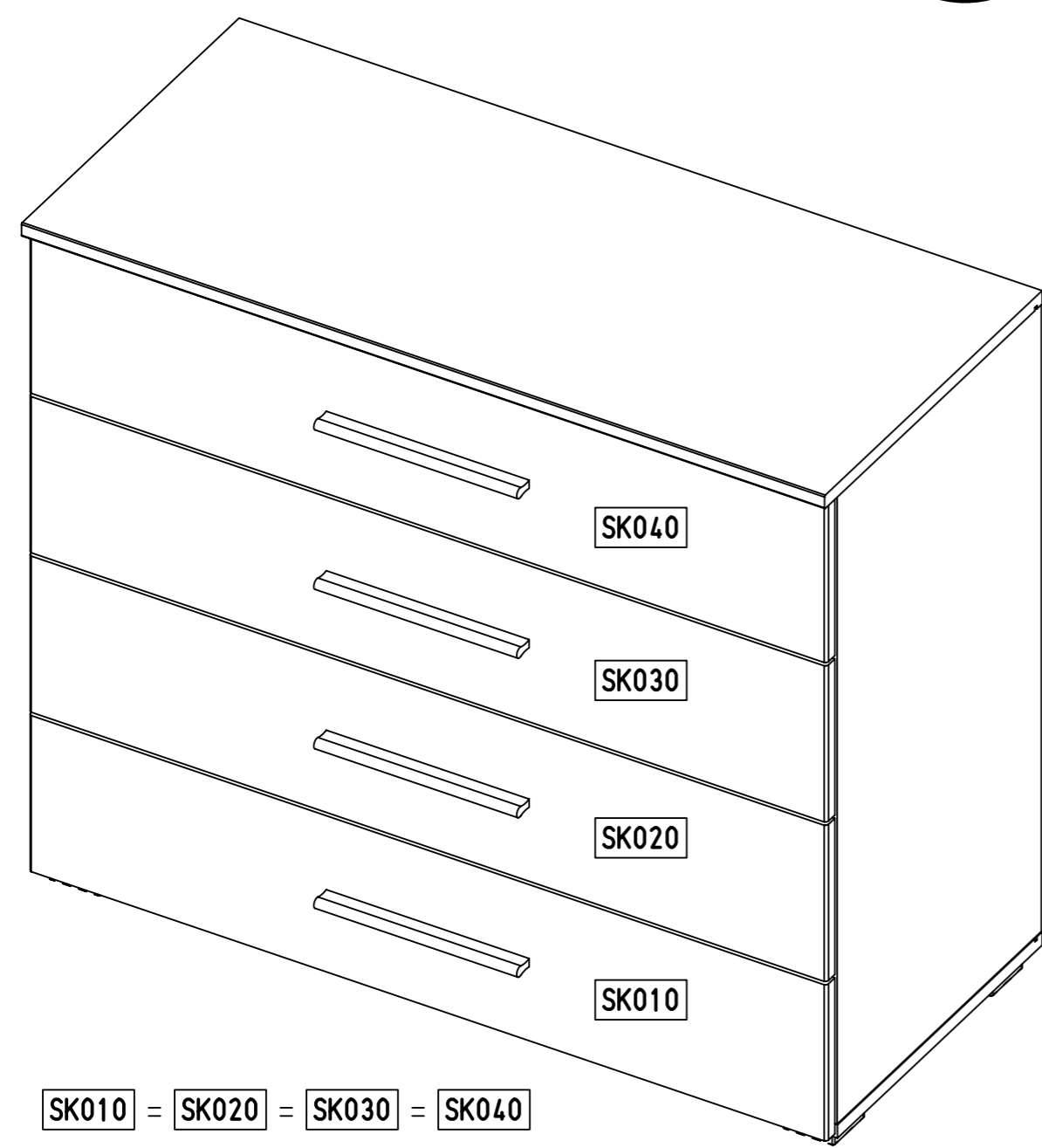
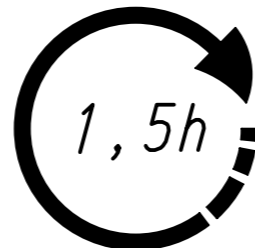
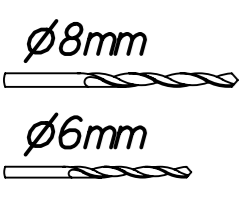
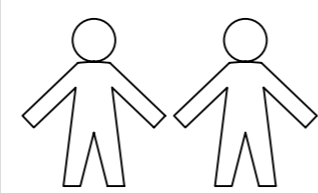
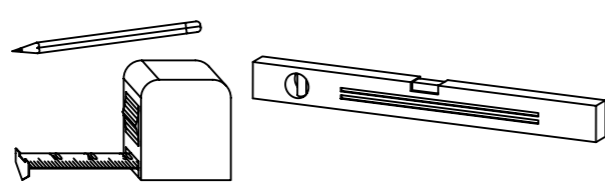
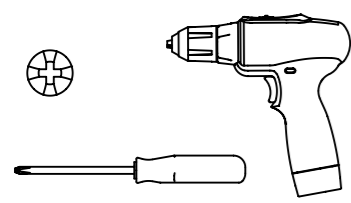


1.

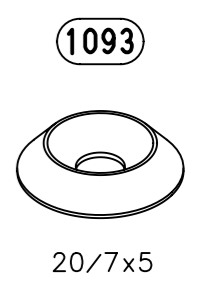
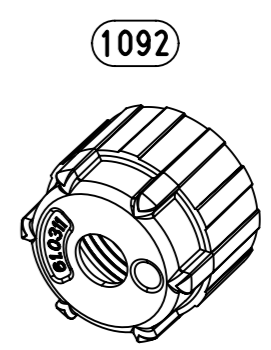
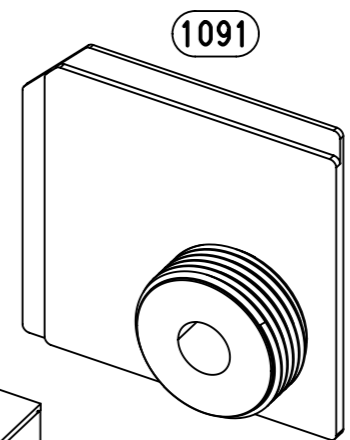
M2094_03

rauch

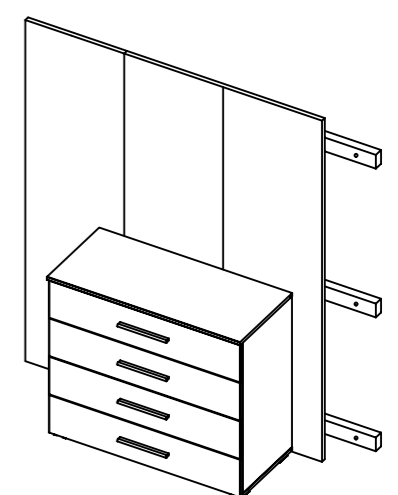
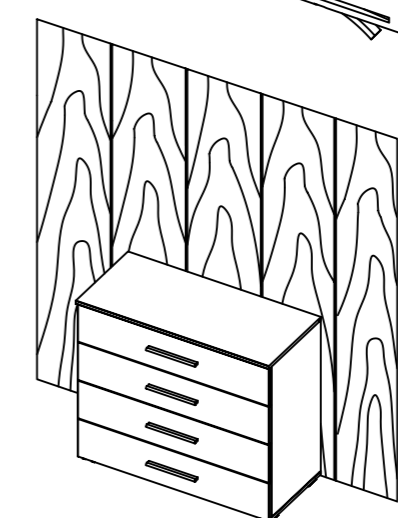
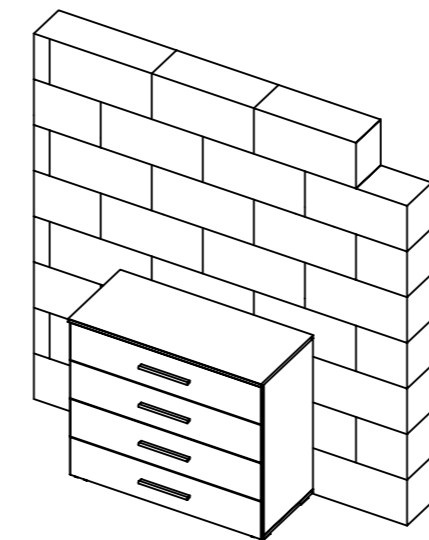
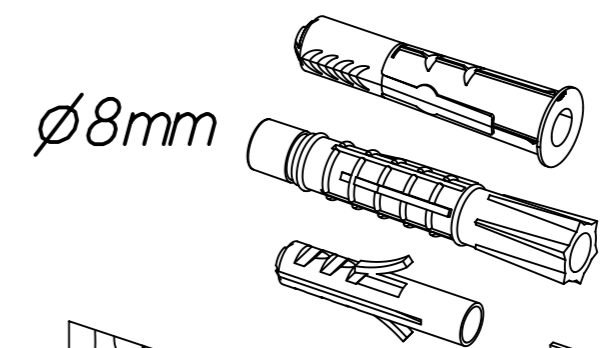
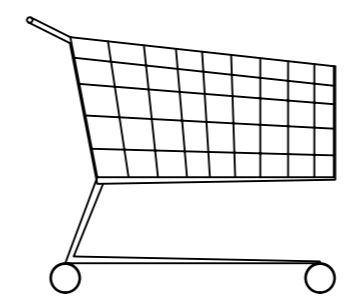
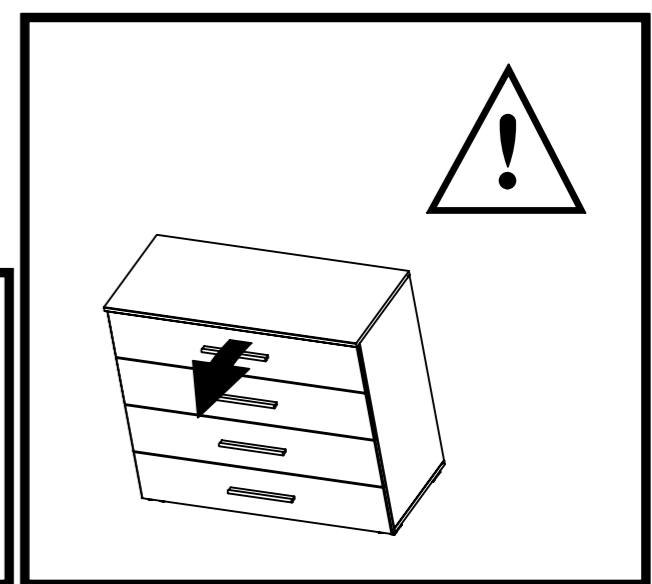
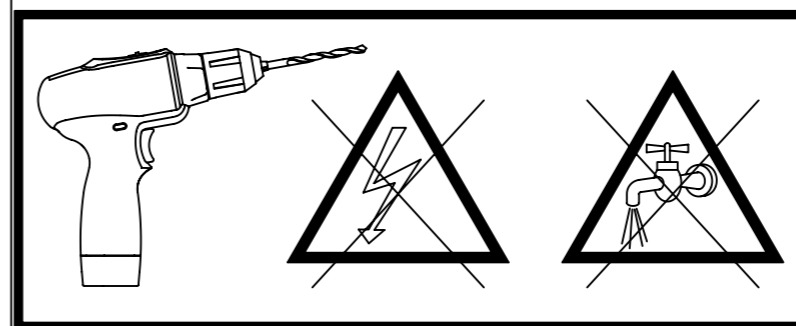
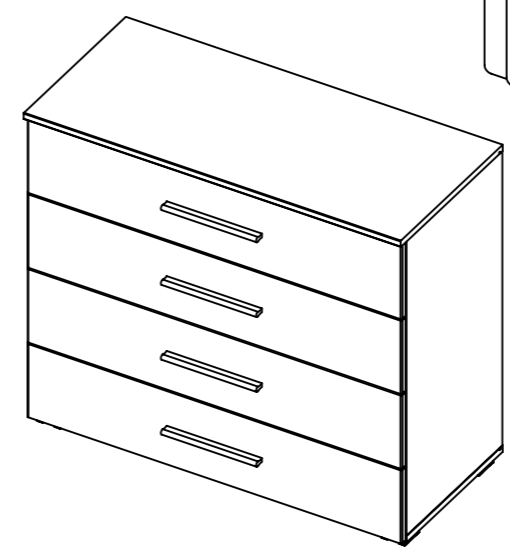
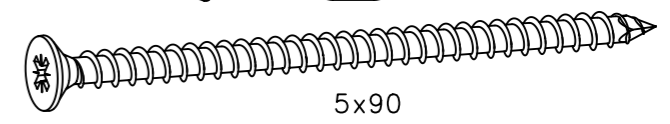


2.

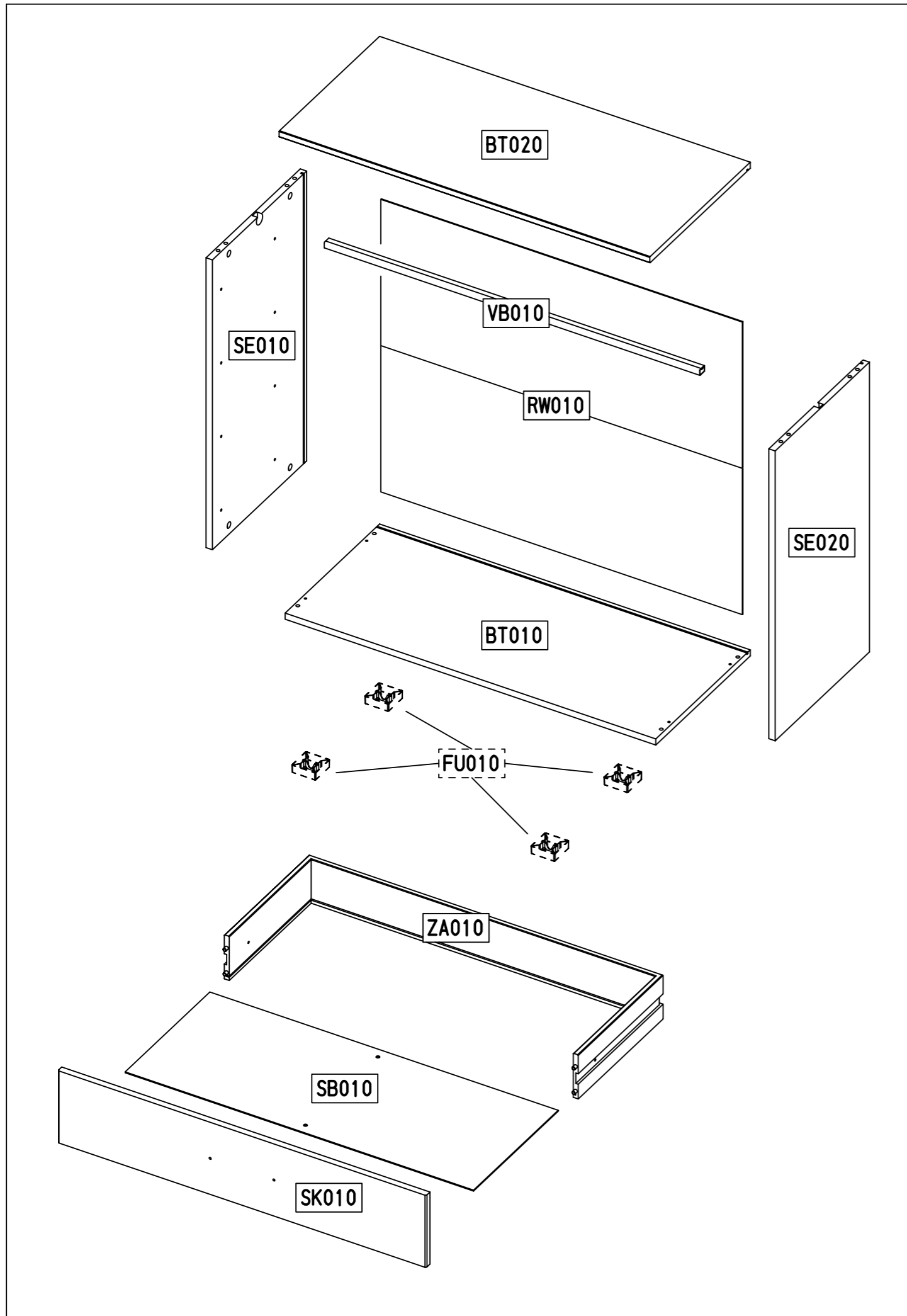
2x



1147

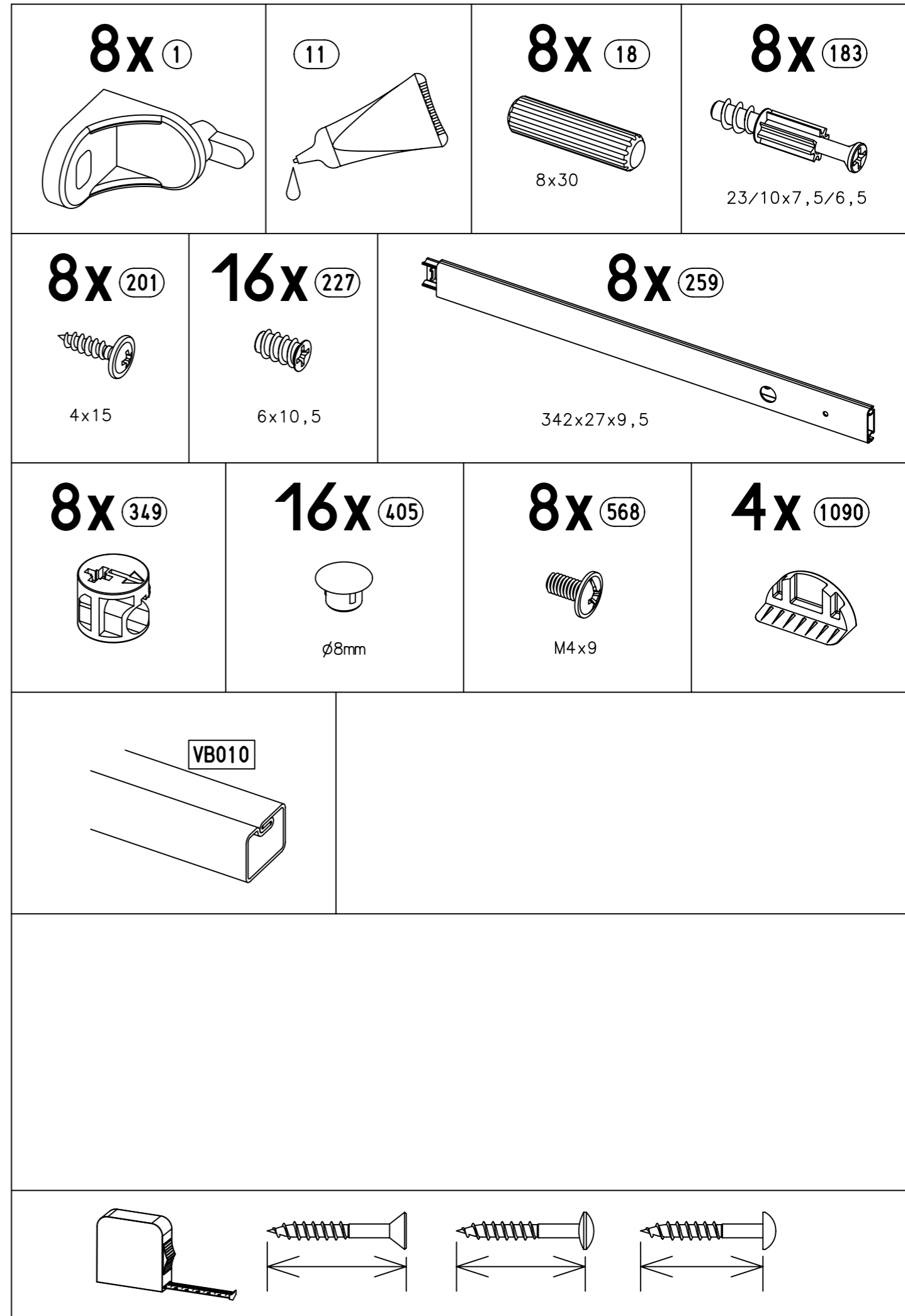


3.



M2094

4.

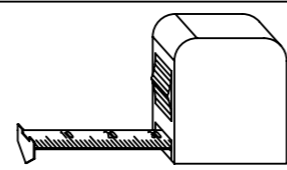
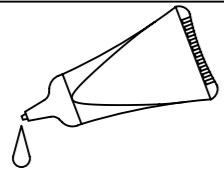


M2094

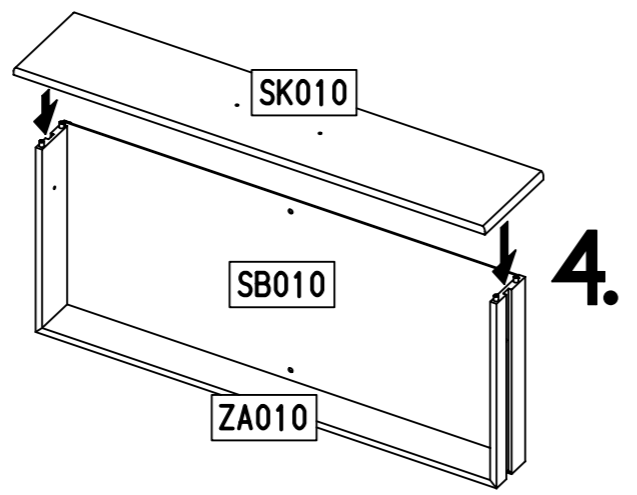
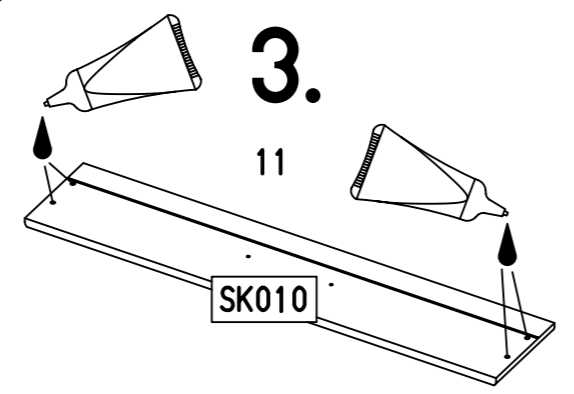
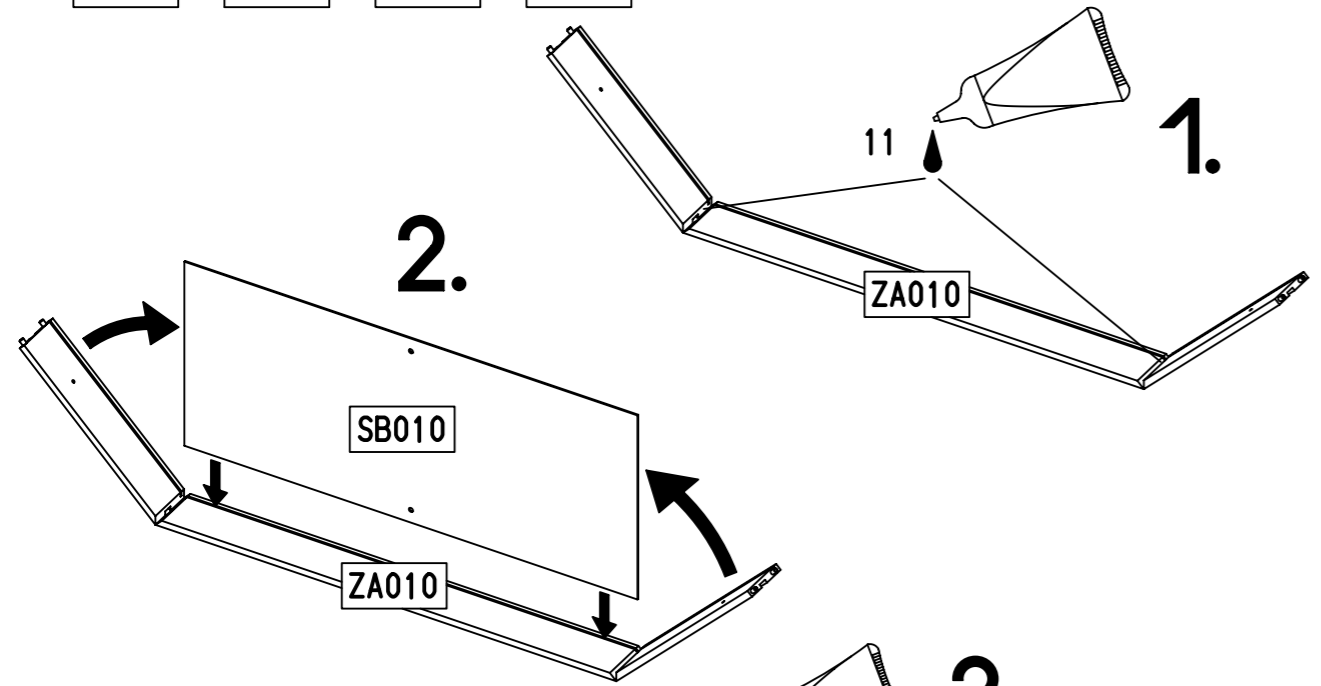
5.

1

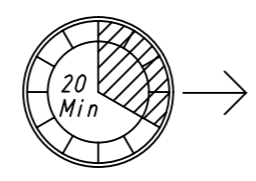
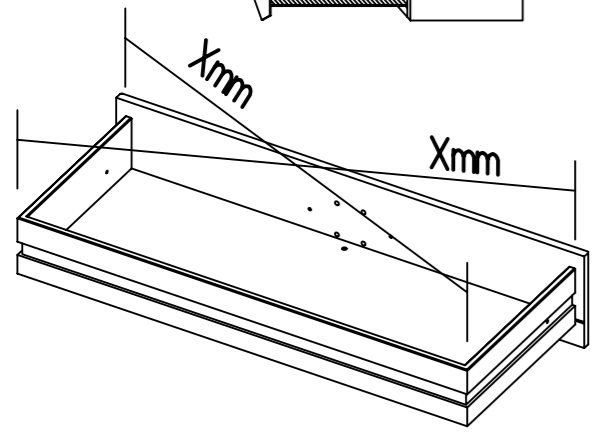
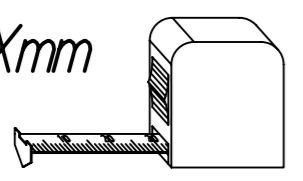
11



SK010 = SK020 = SK030 = SK040



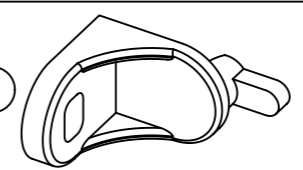
Xmm = Xmm



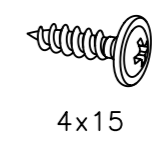
6.

2

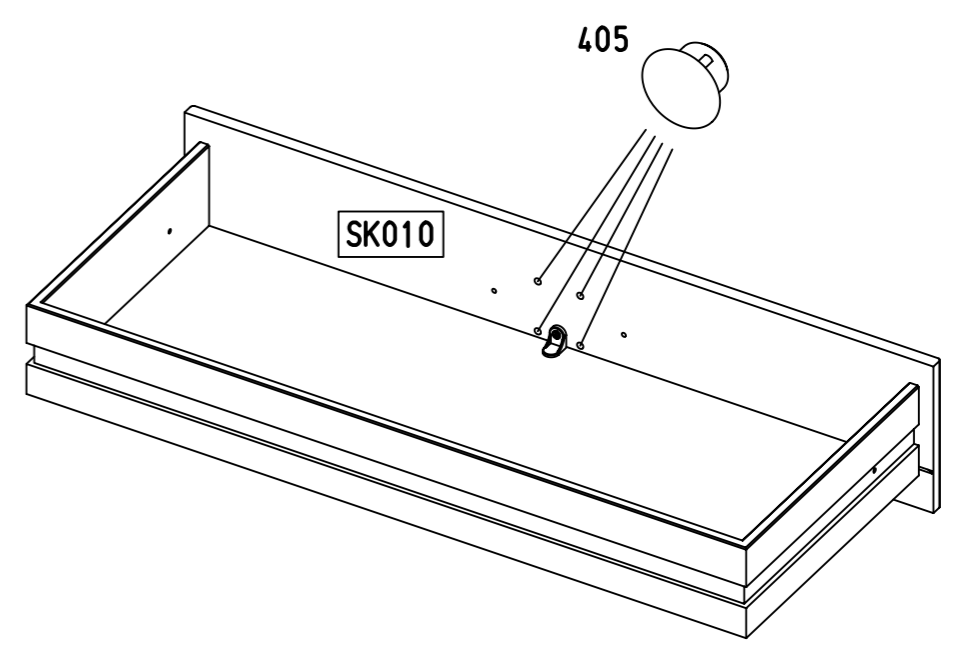
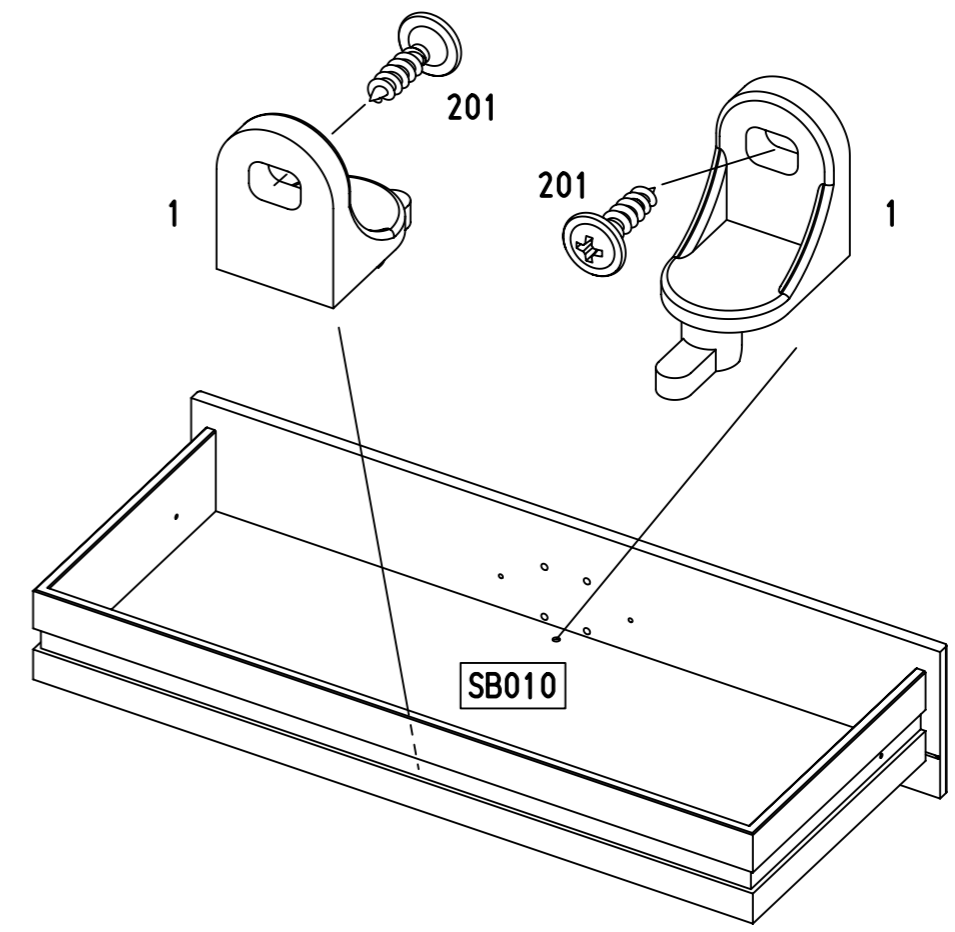
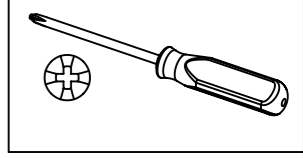
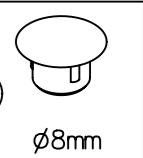
8x 1



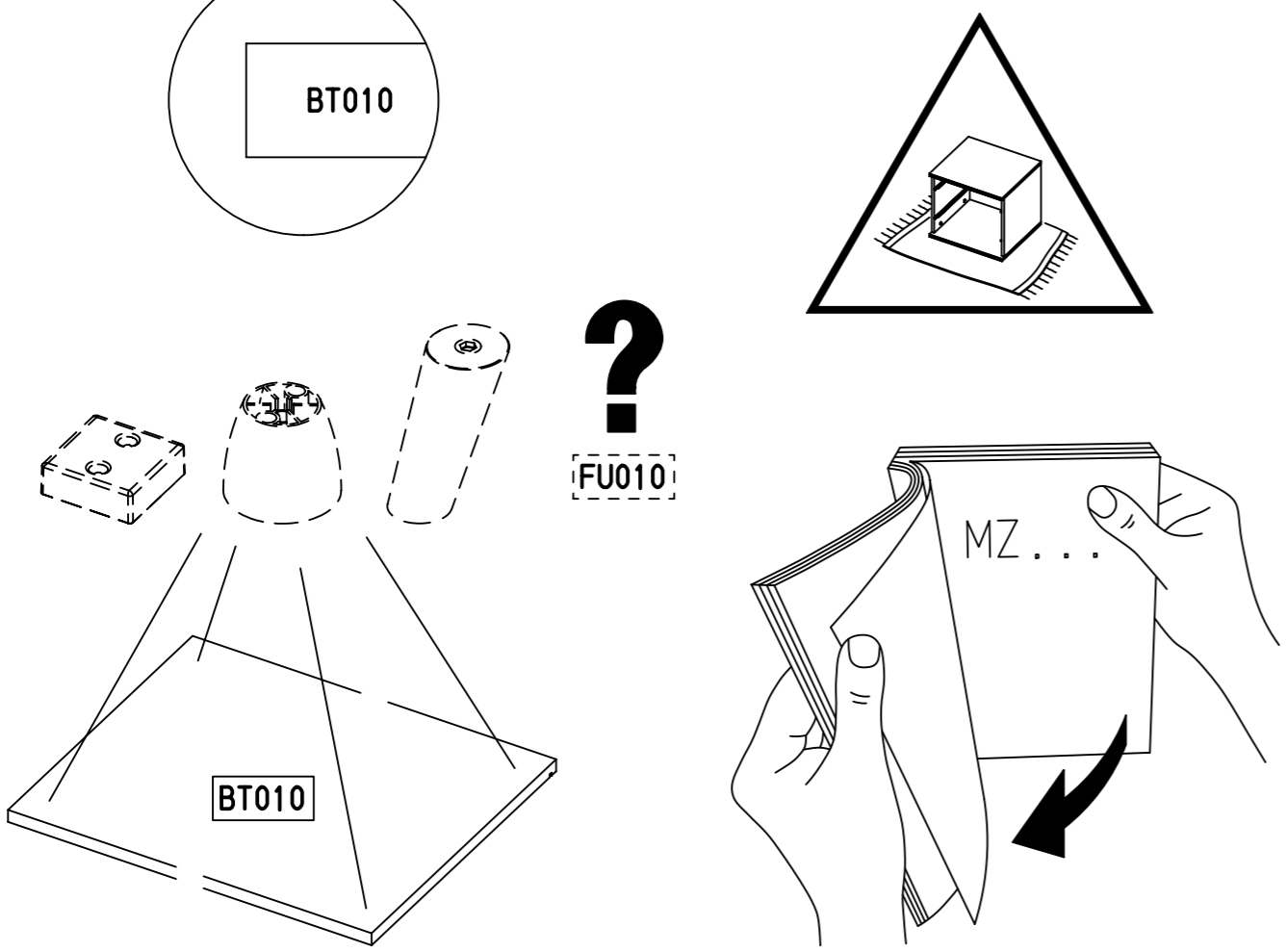
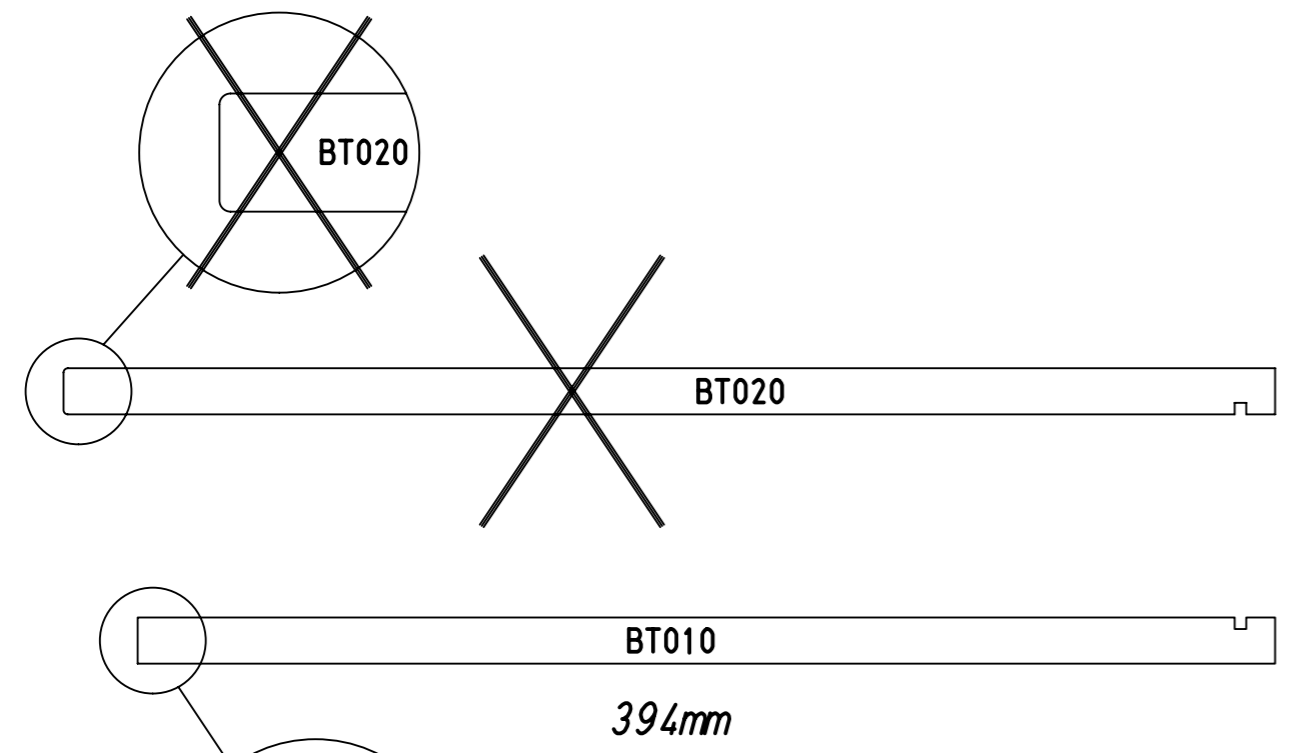
8x 201



16x 405

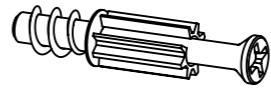
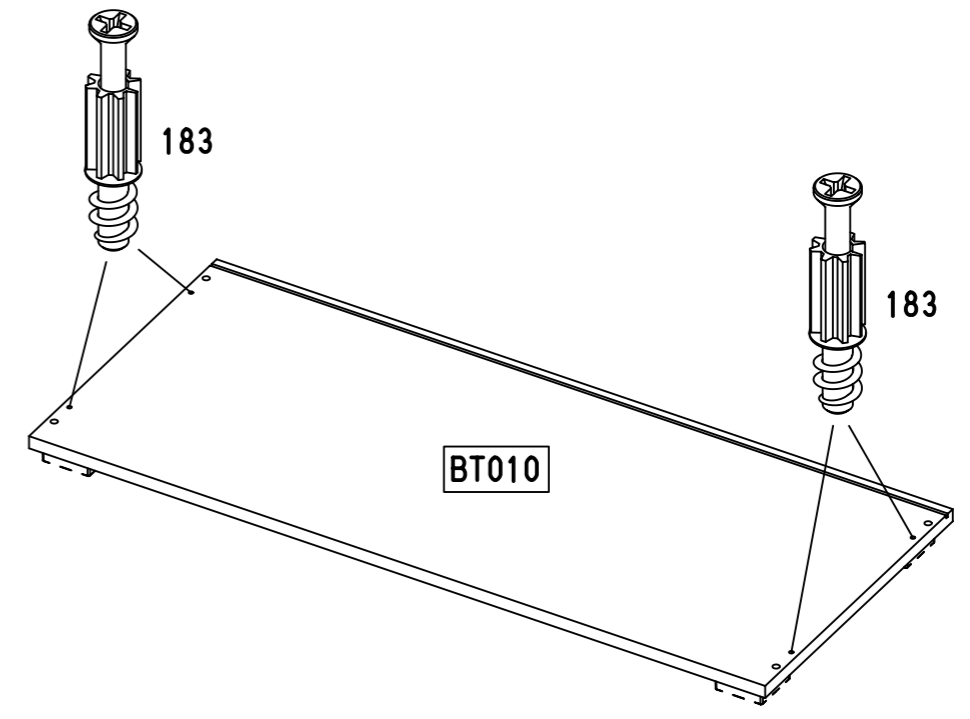
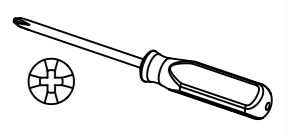


3



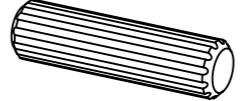
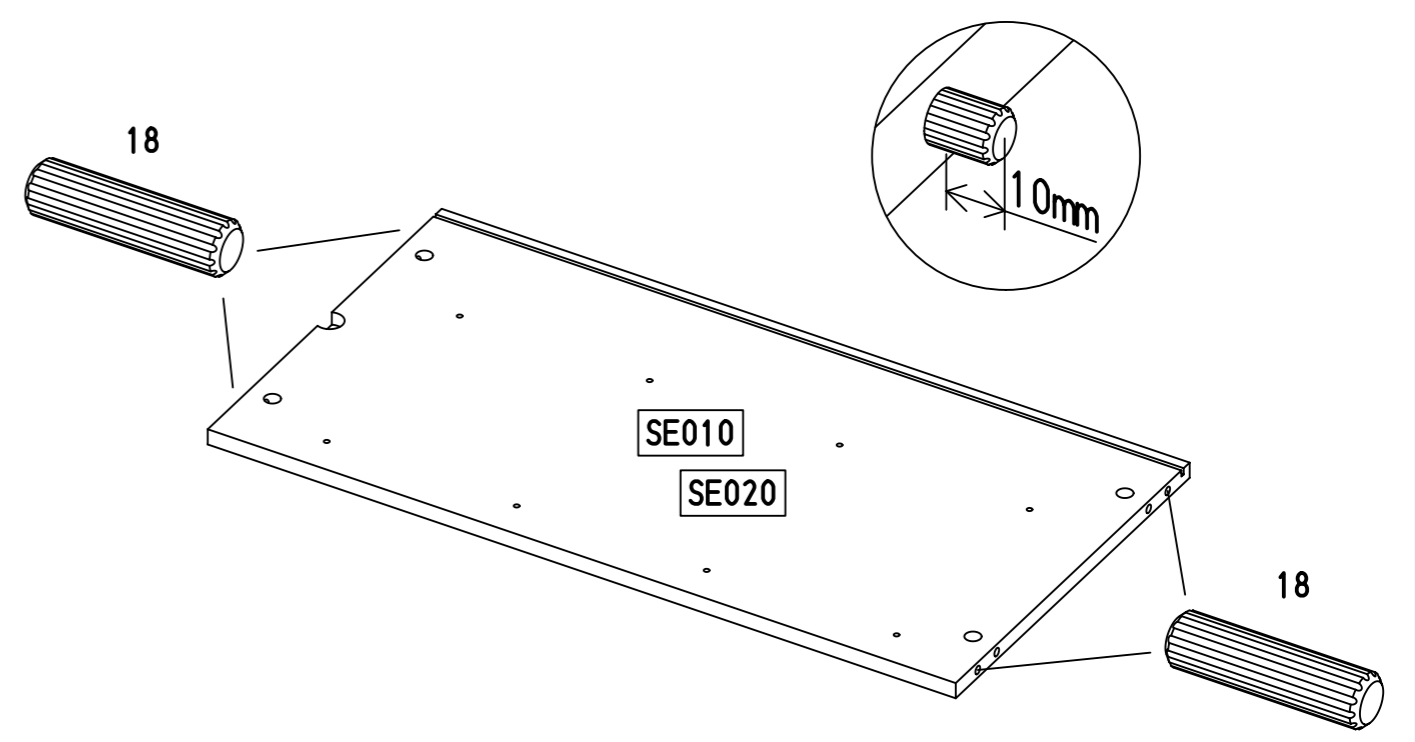
4

4x 183
23/10x7,5/6,5

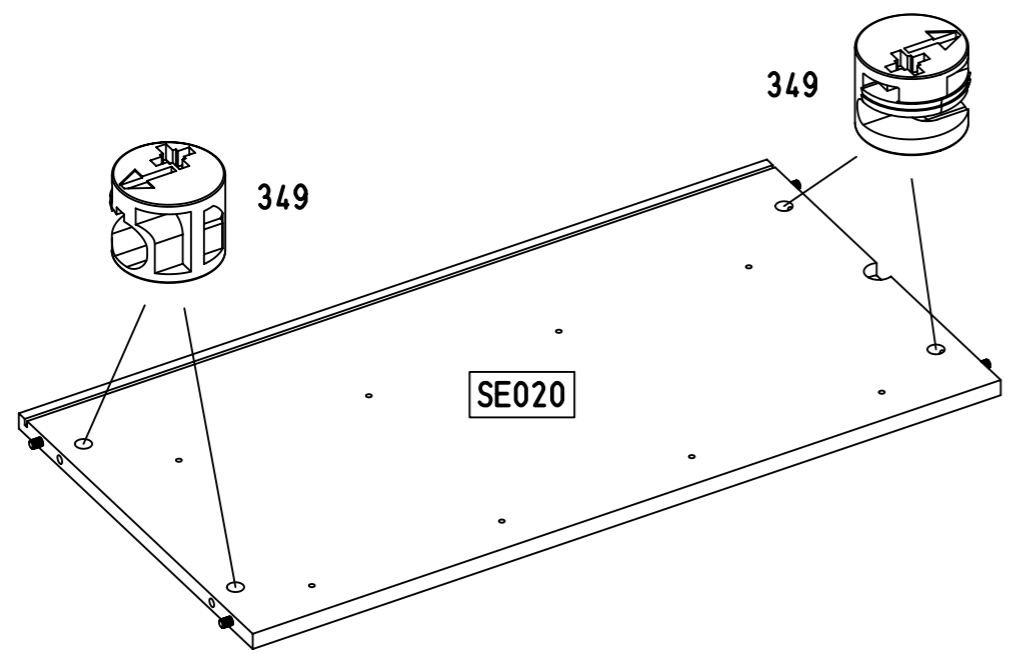
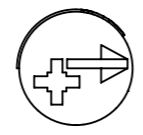
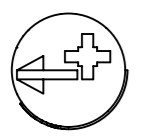
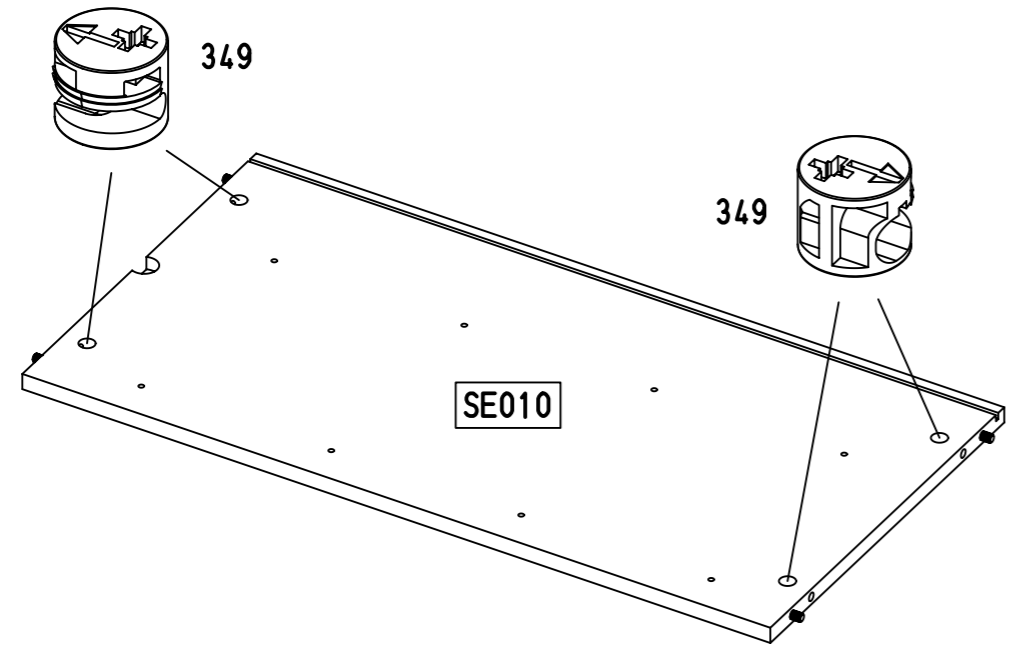
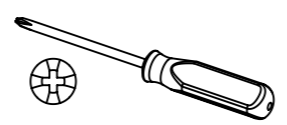
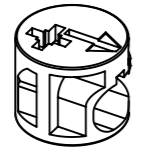
5

8x 18
8x30

6

12x 349



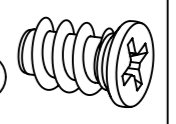
7

4x 259

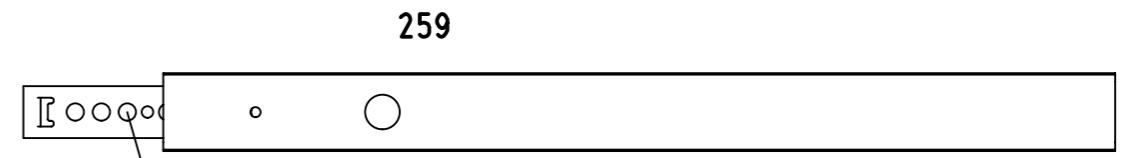
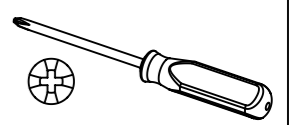


342x27x9,5

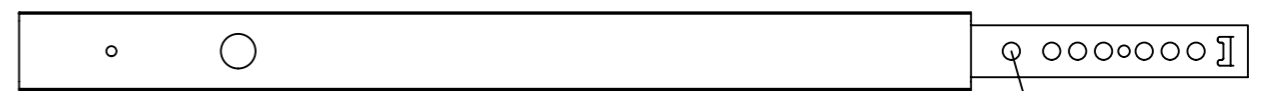
8x 227



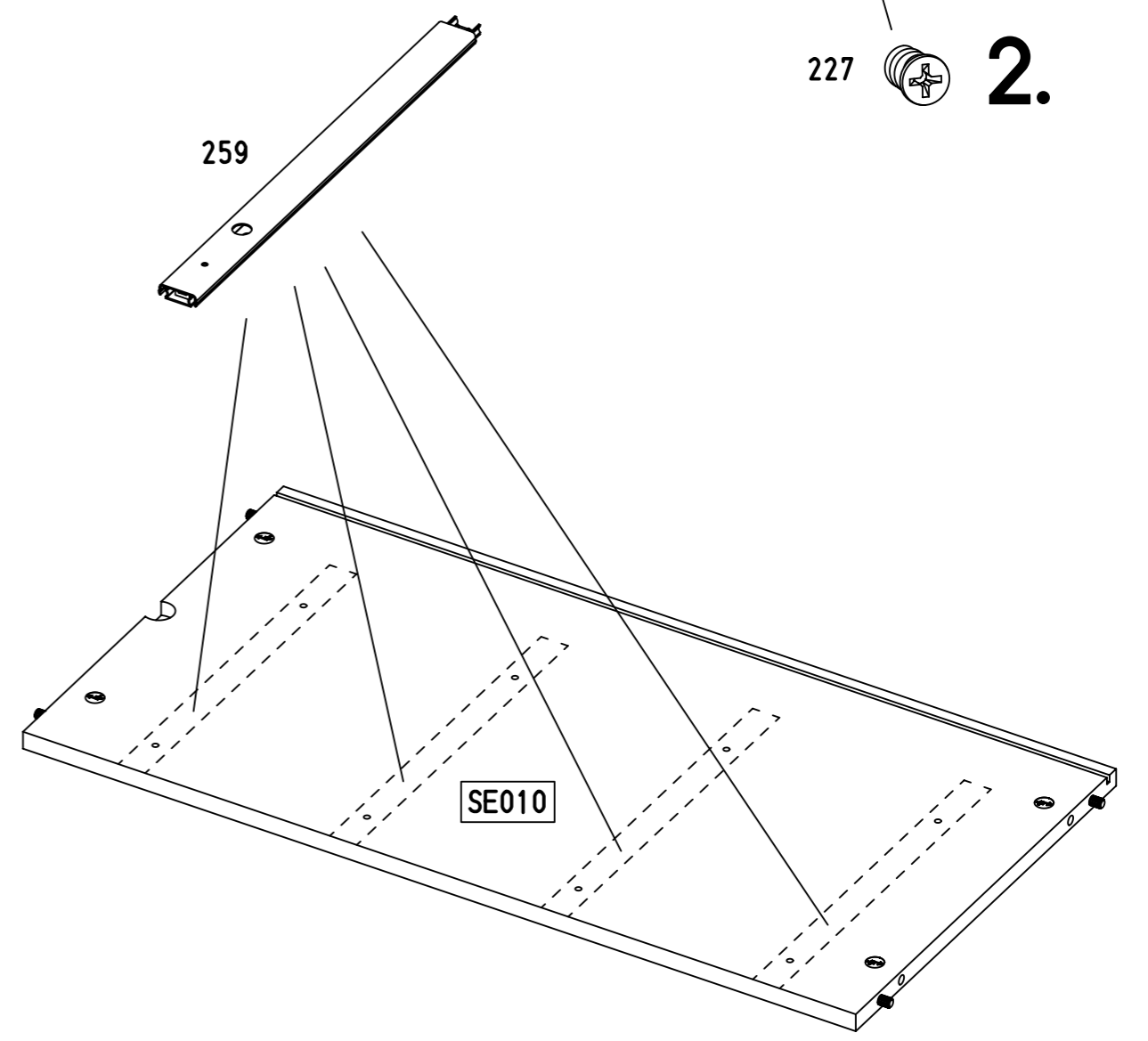
6x10,5



1.



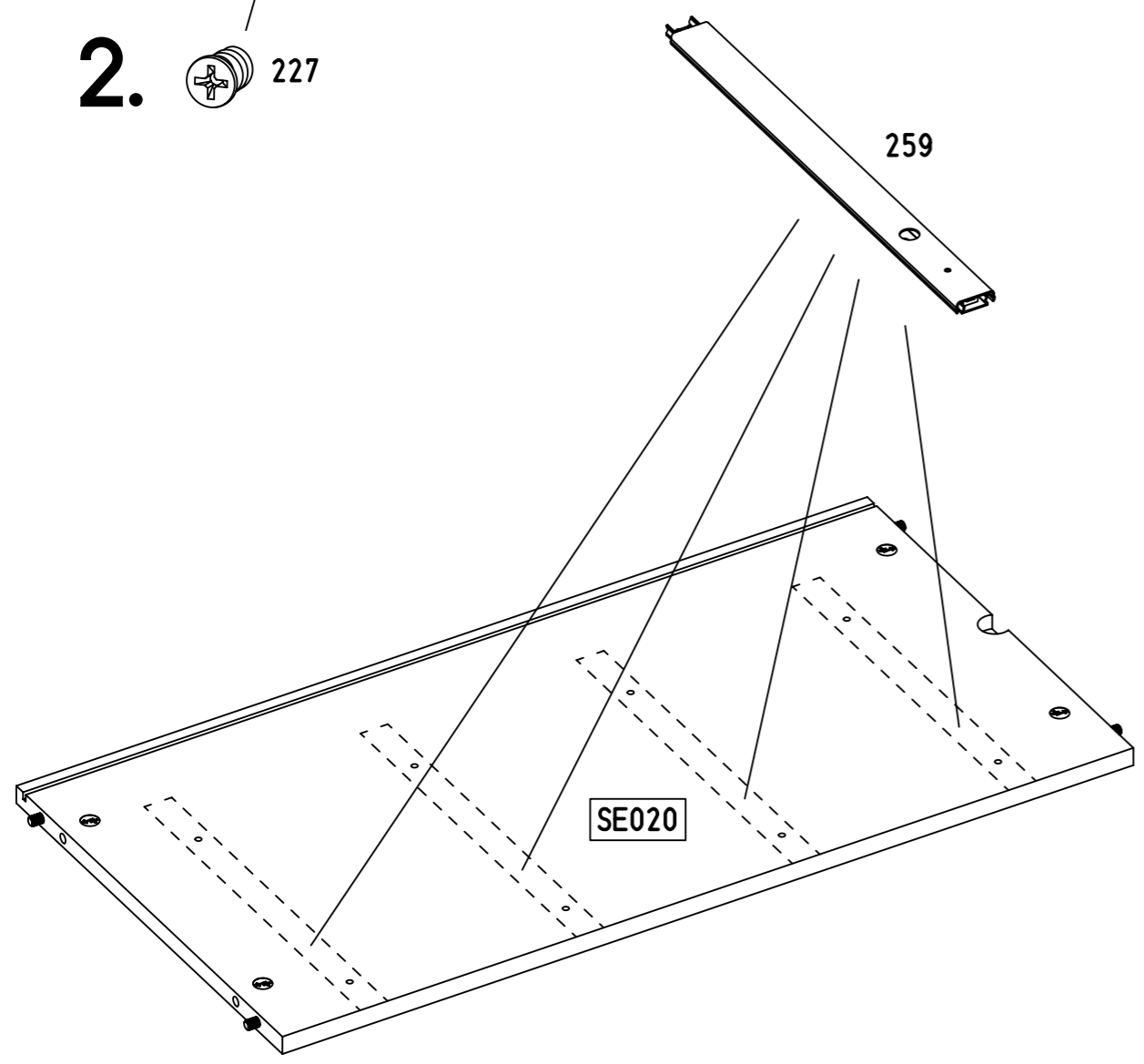
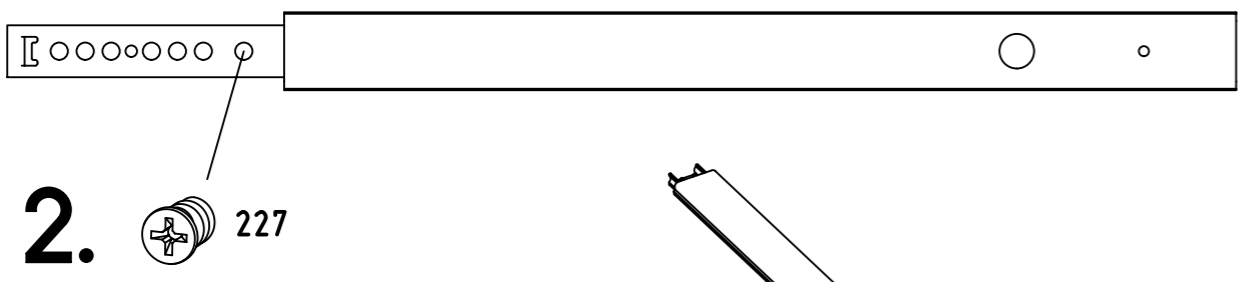
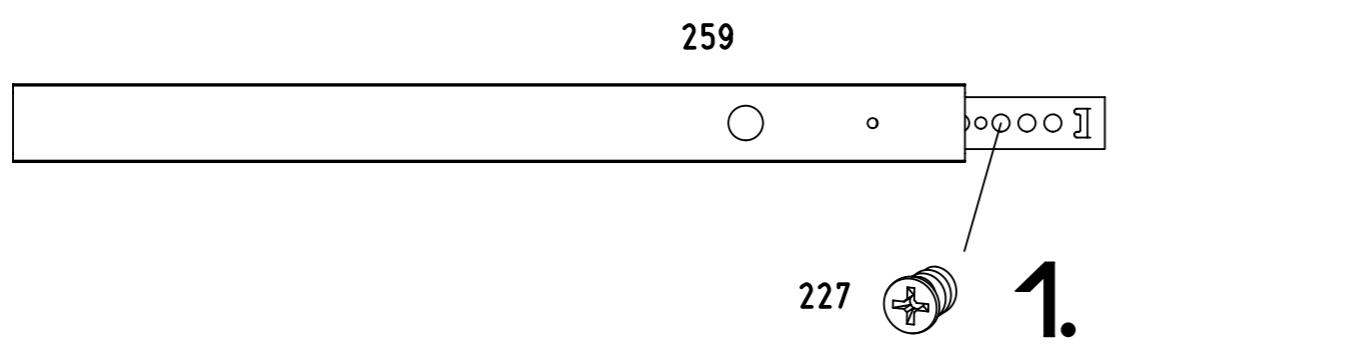
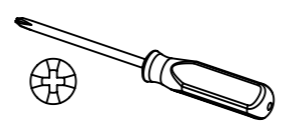
2.



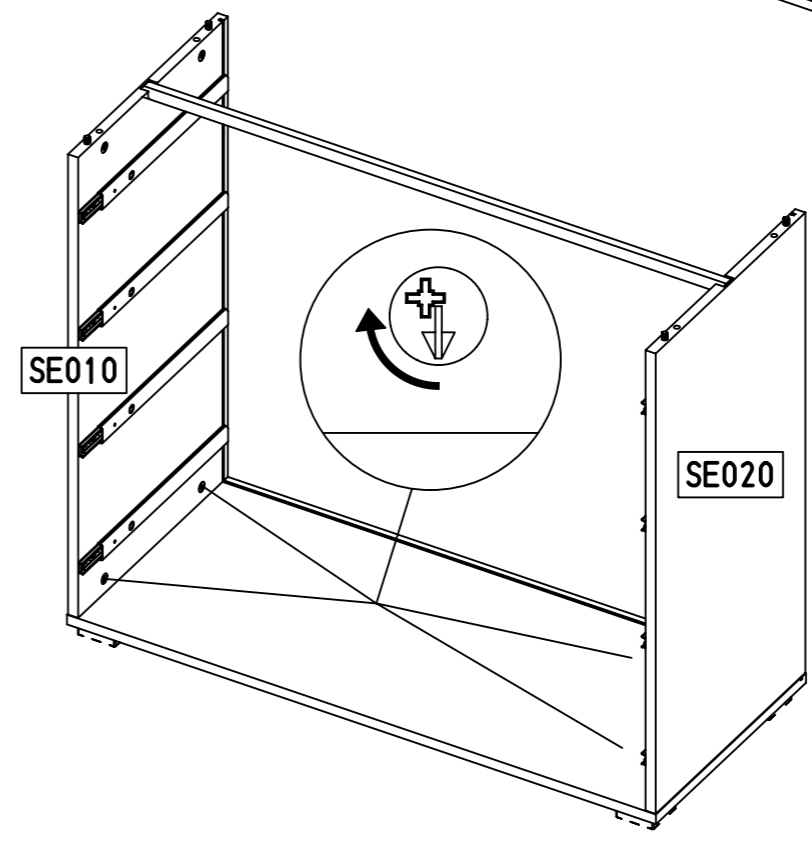
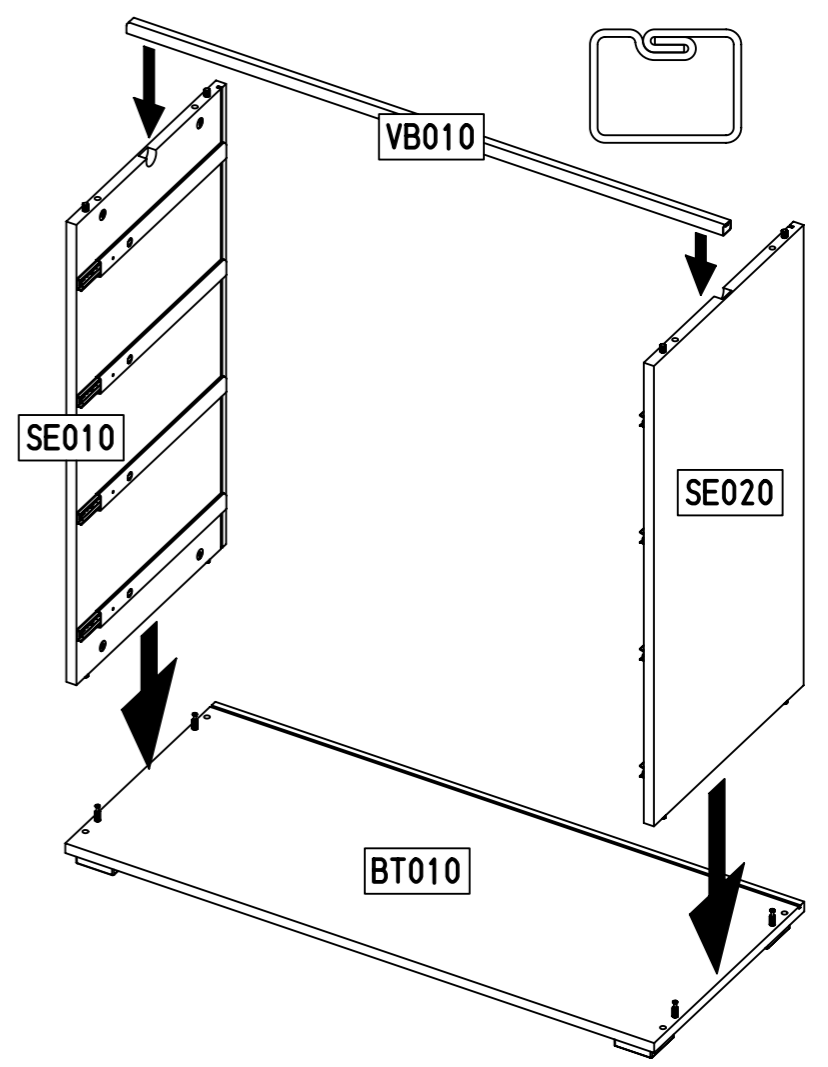
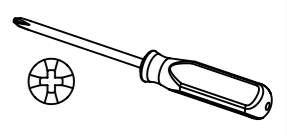
8

4x 259
342x27x9,5

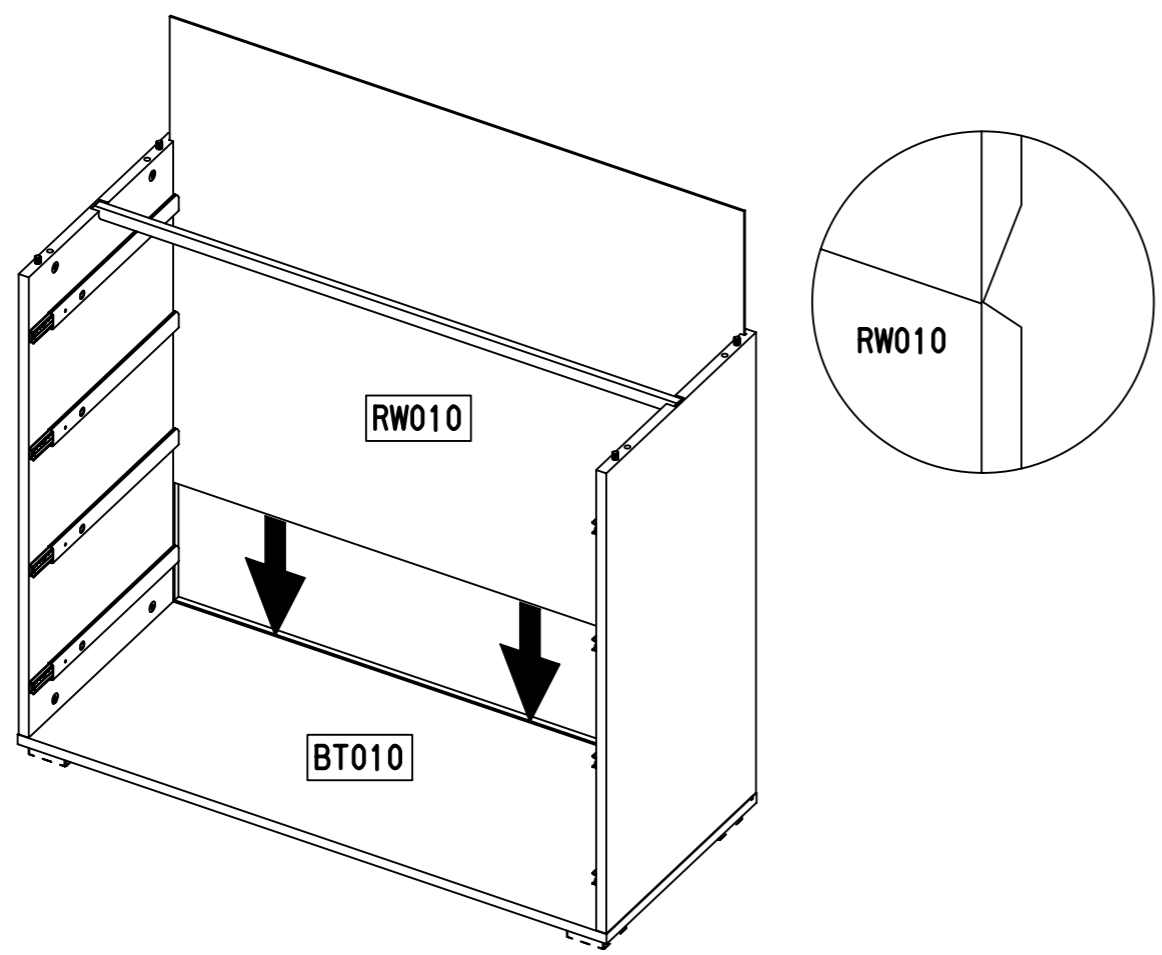
8x 227
6x10,5



9

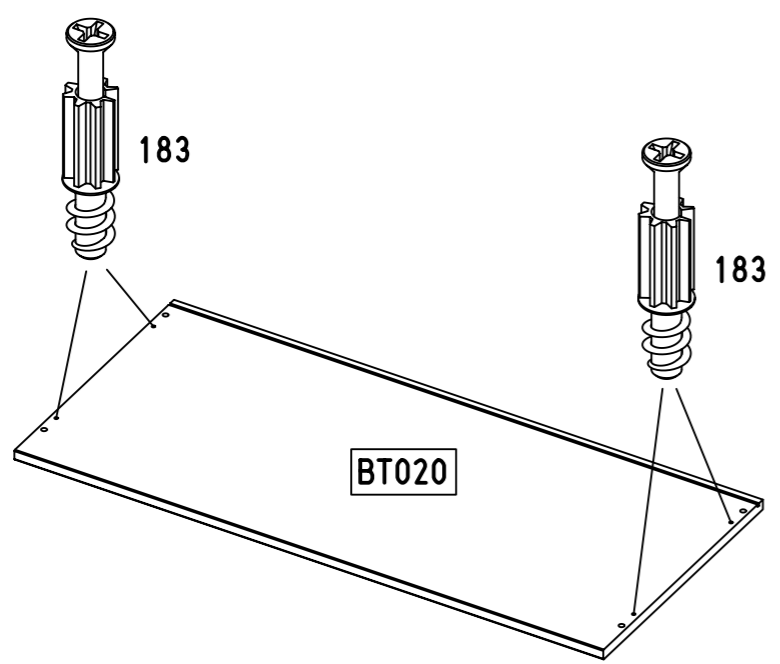
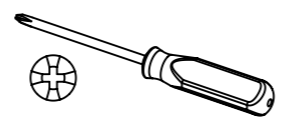


10

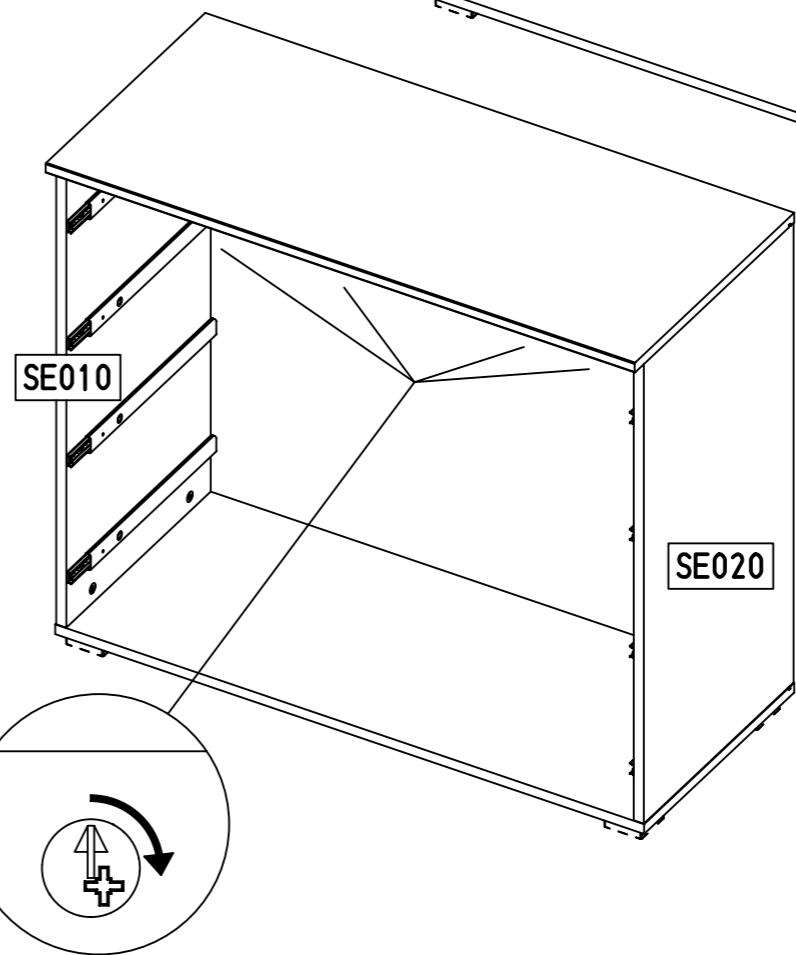
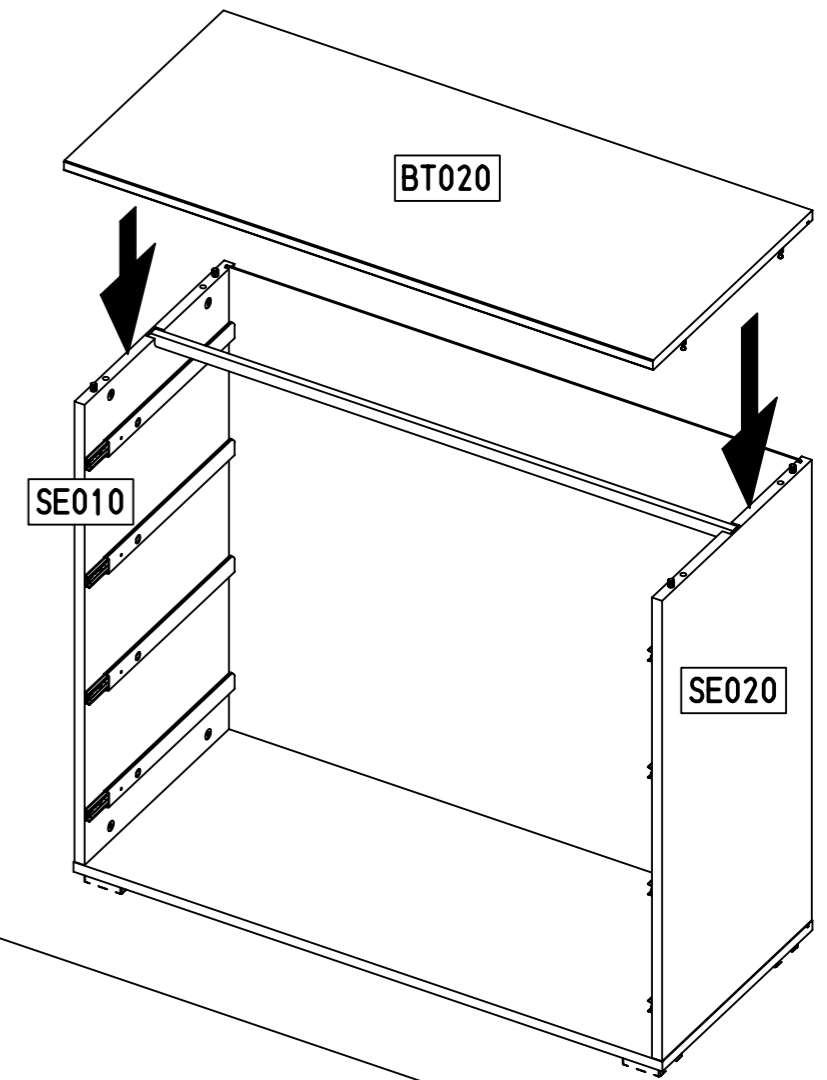
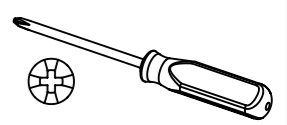


11

4x 183
 23/10x7,5/6,5

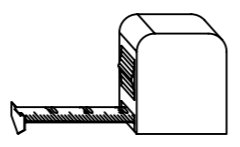
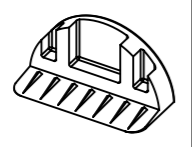


12

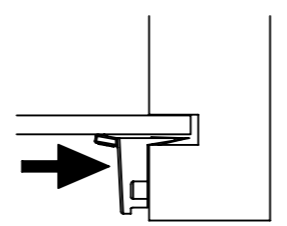
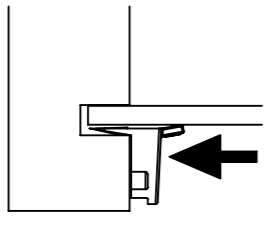
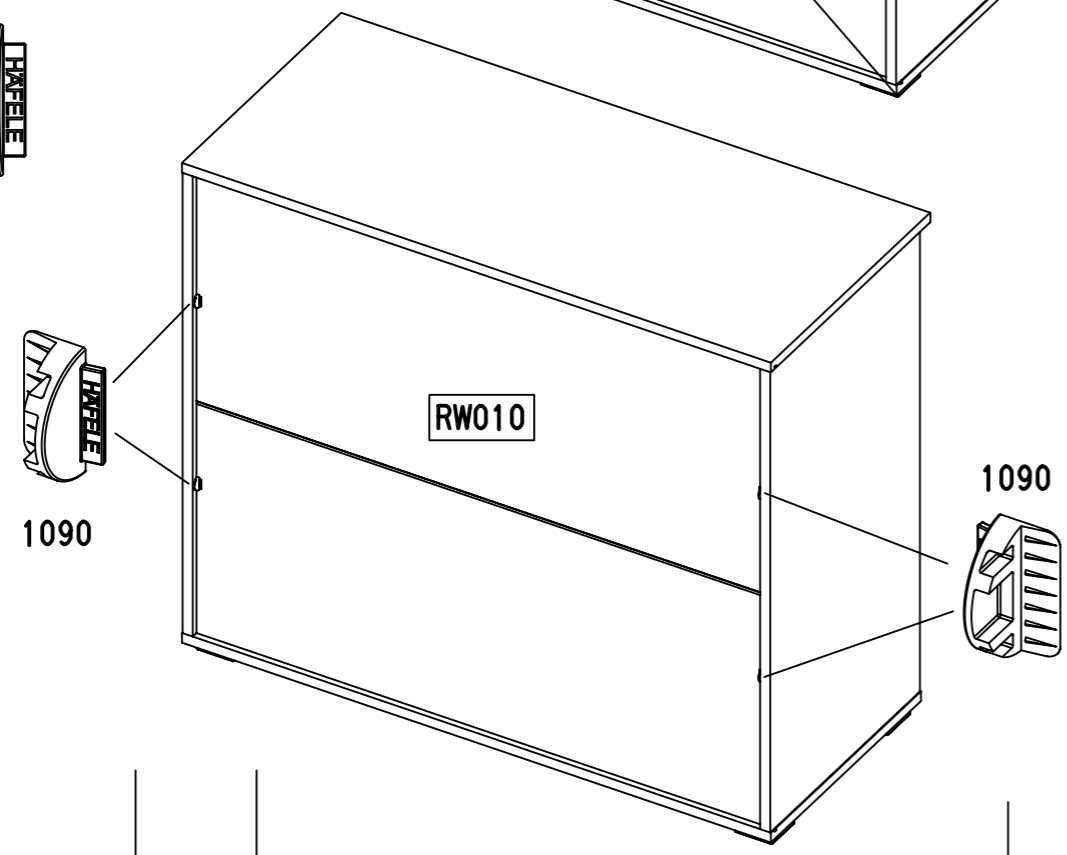
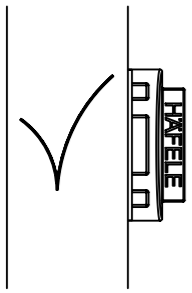
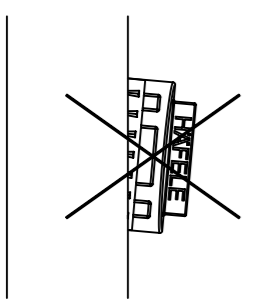
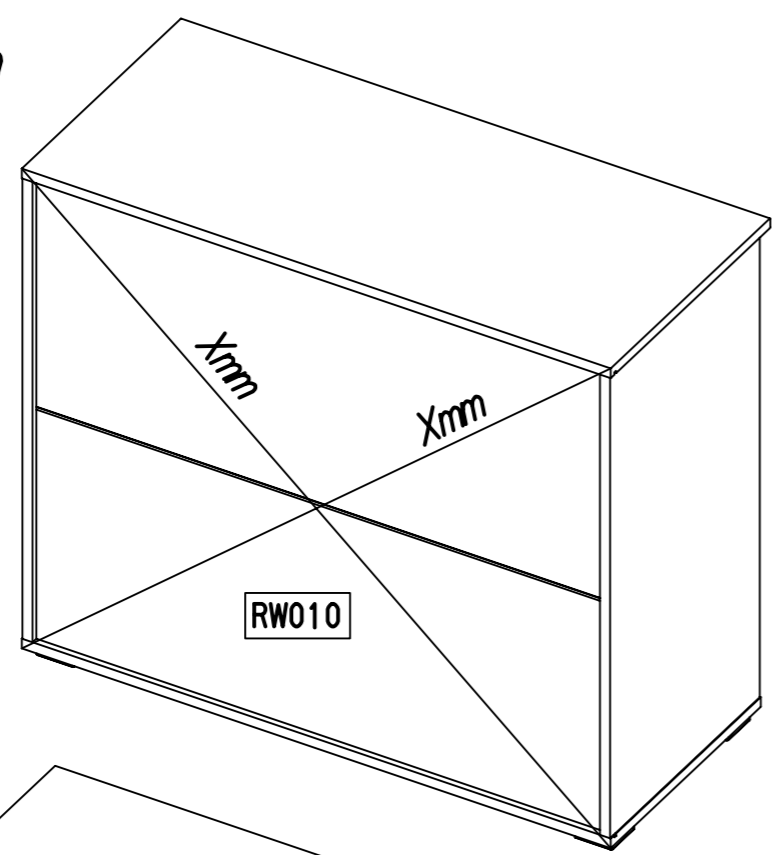
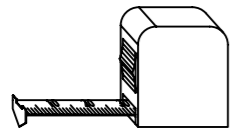


13

4x 1090

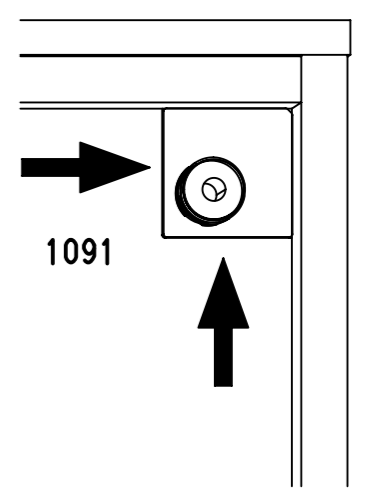
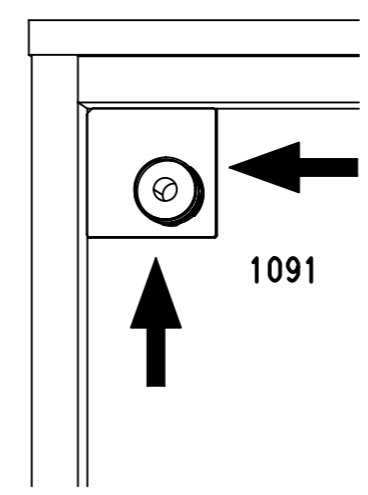
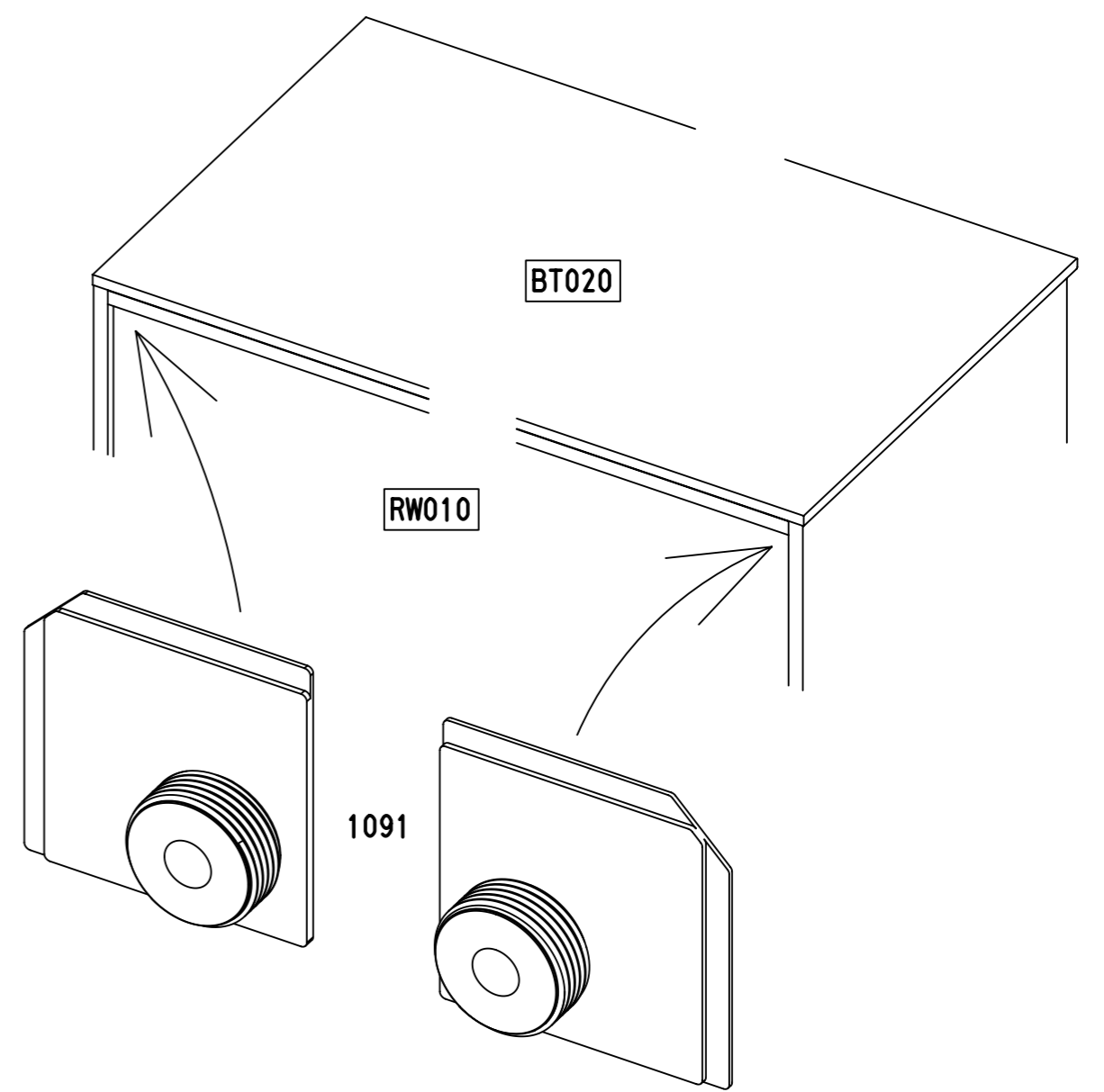
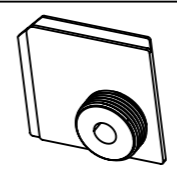


Xmm = Xmm



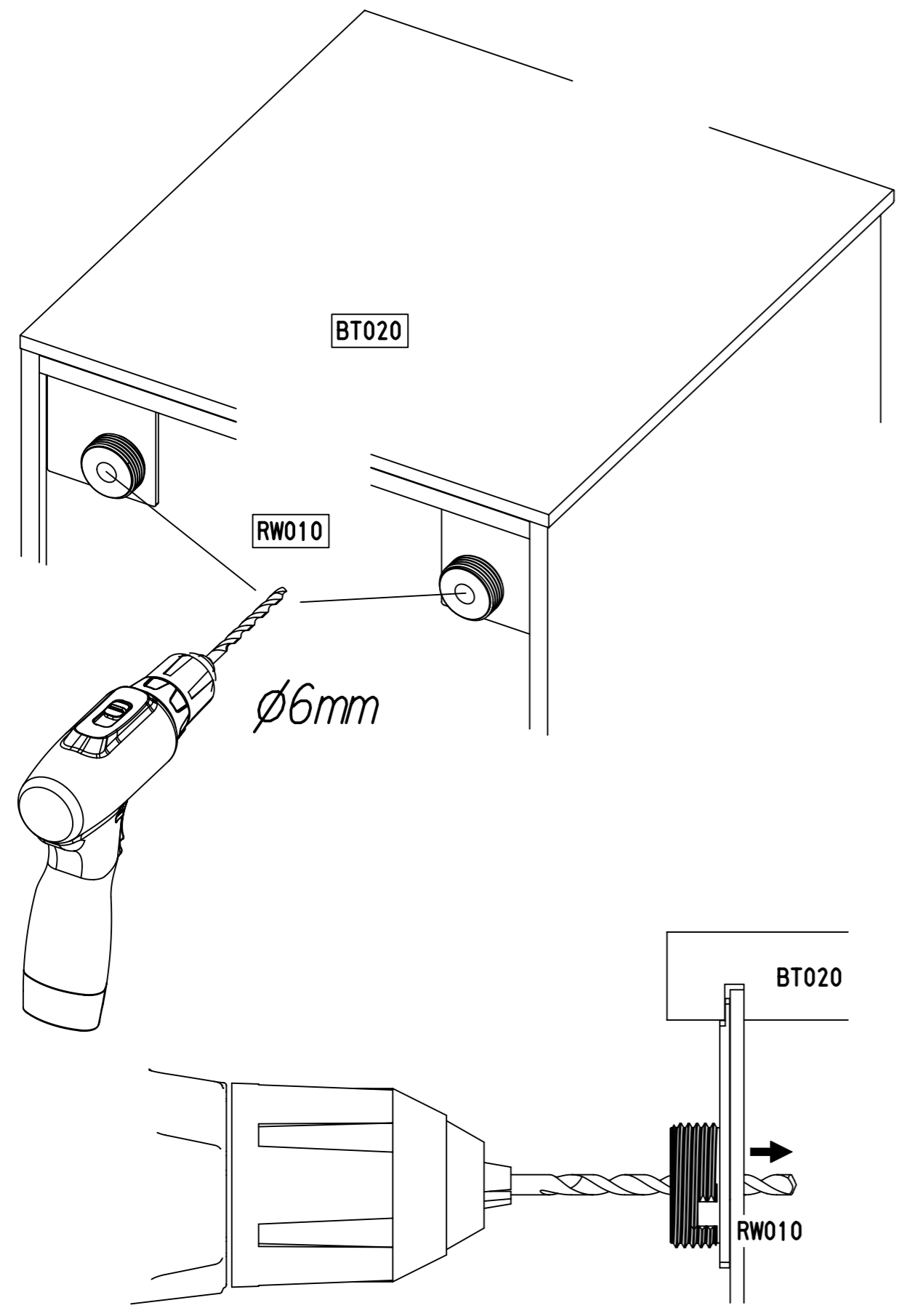
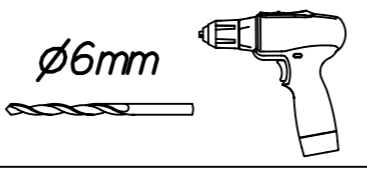
14

2x 1091

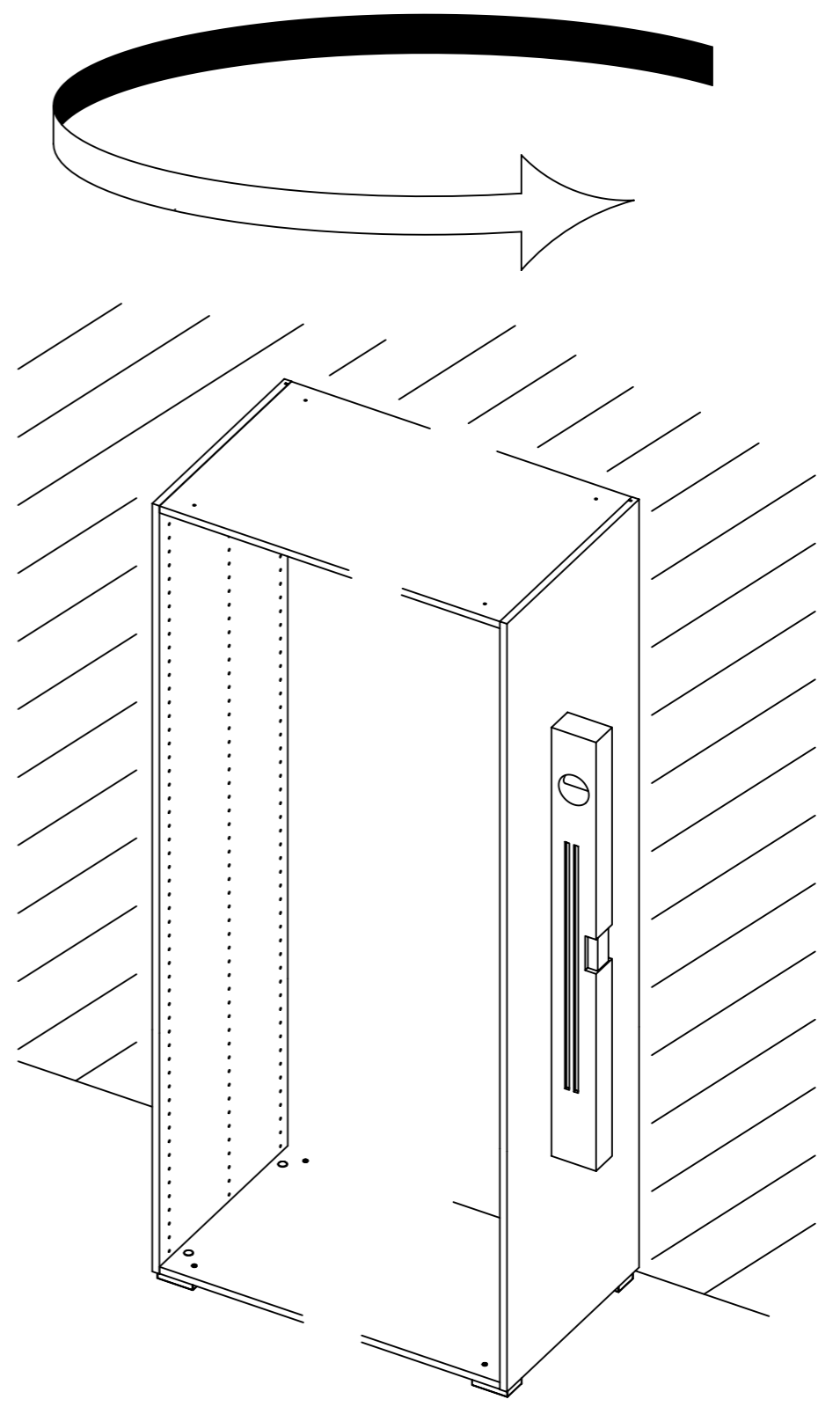
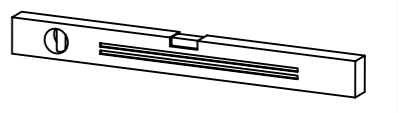


RW010

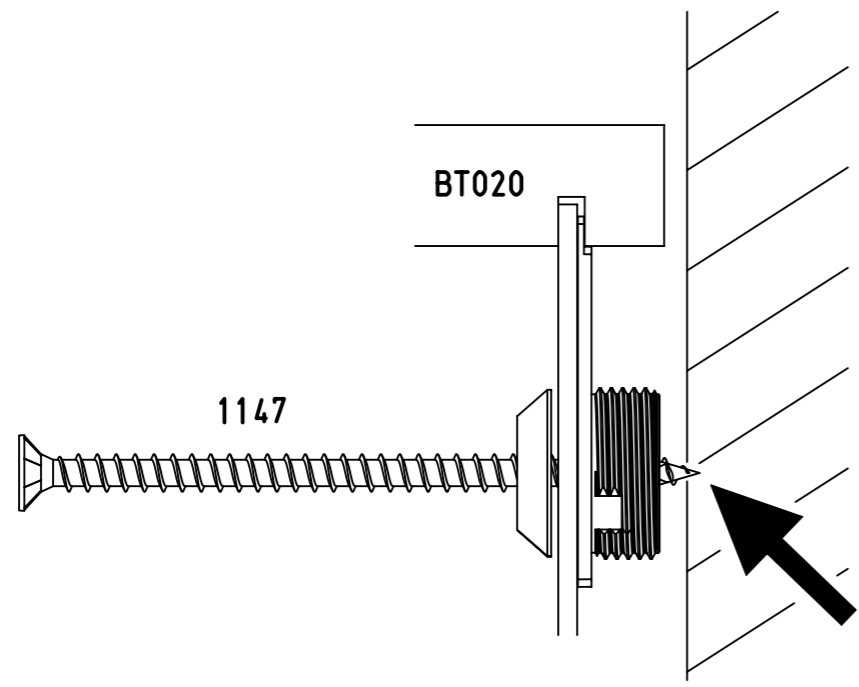
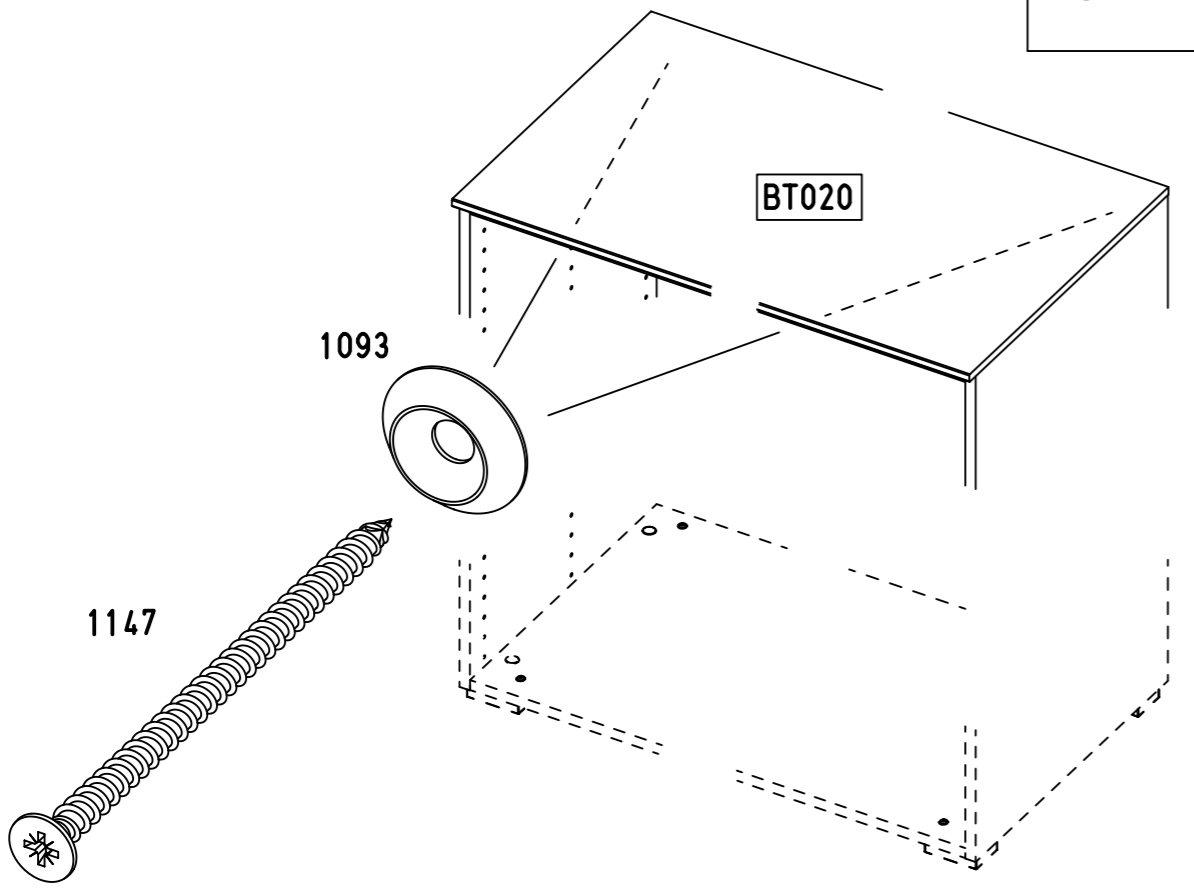
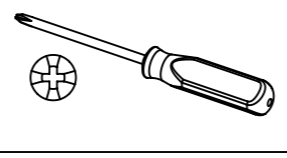
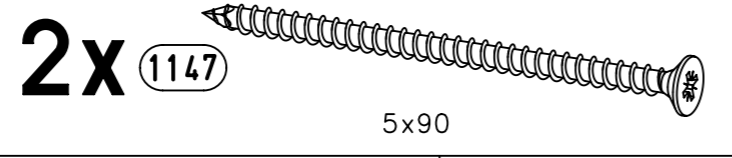
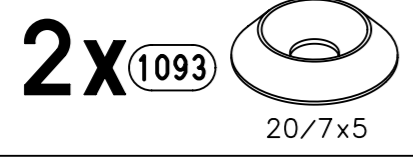
15



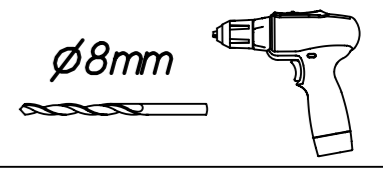
16



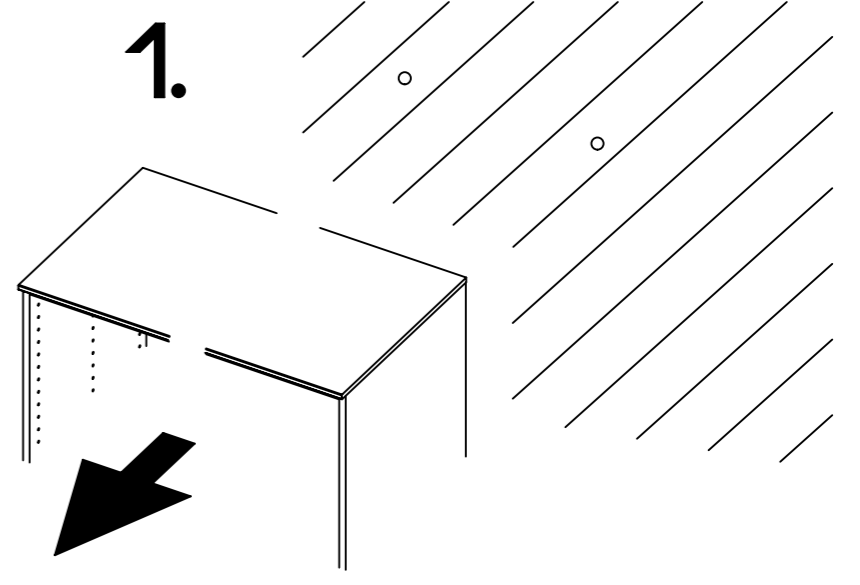
17



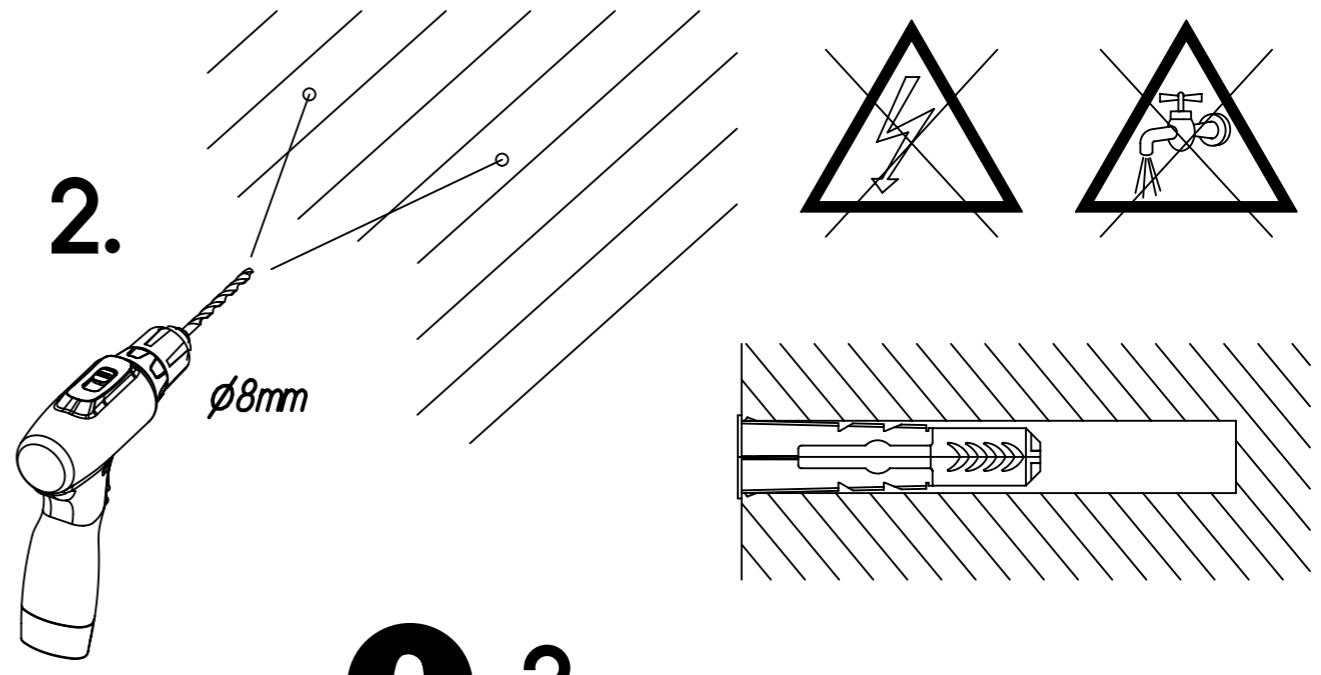
18



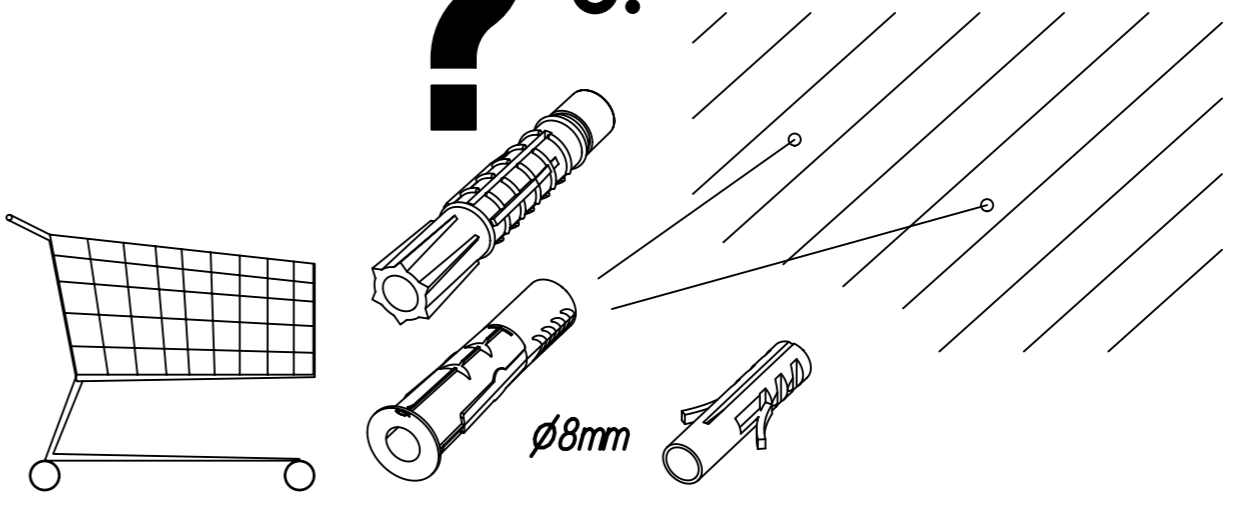
1.



2.

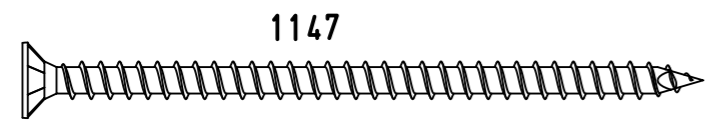
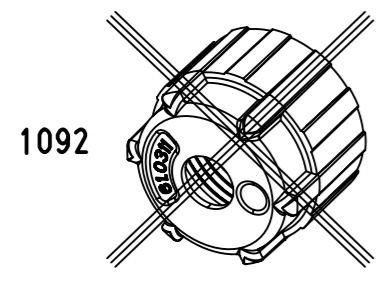
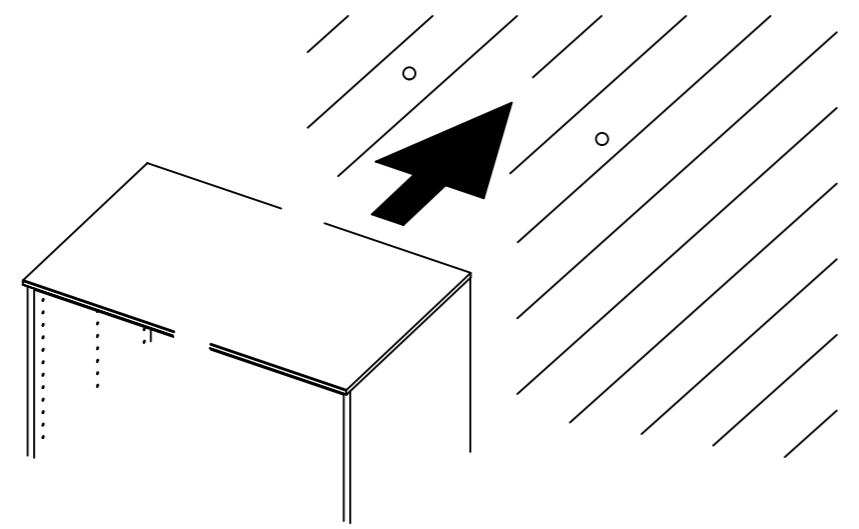
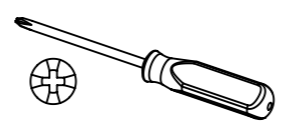
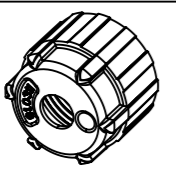


? 3.

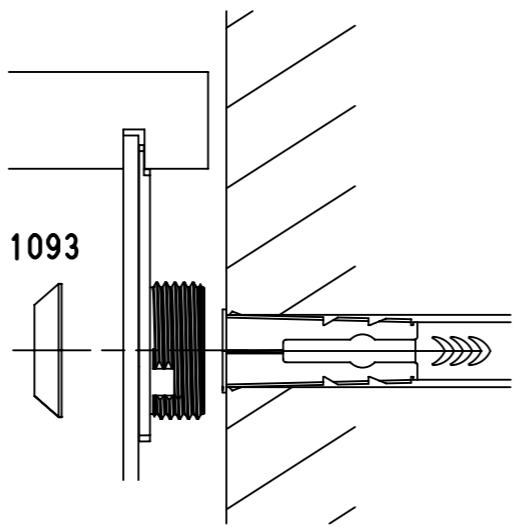


19

2x 1092



1093



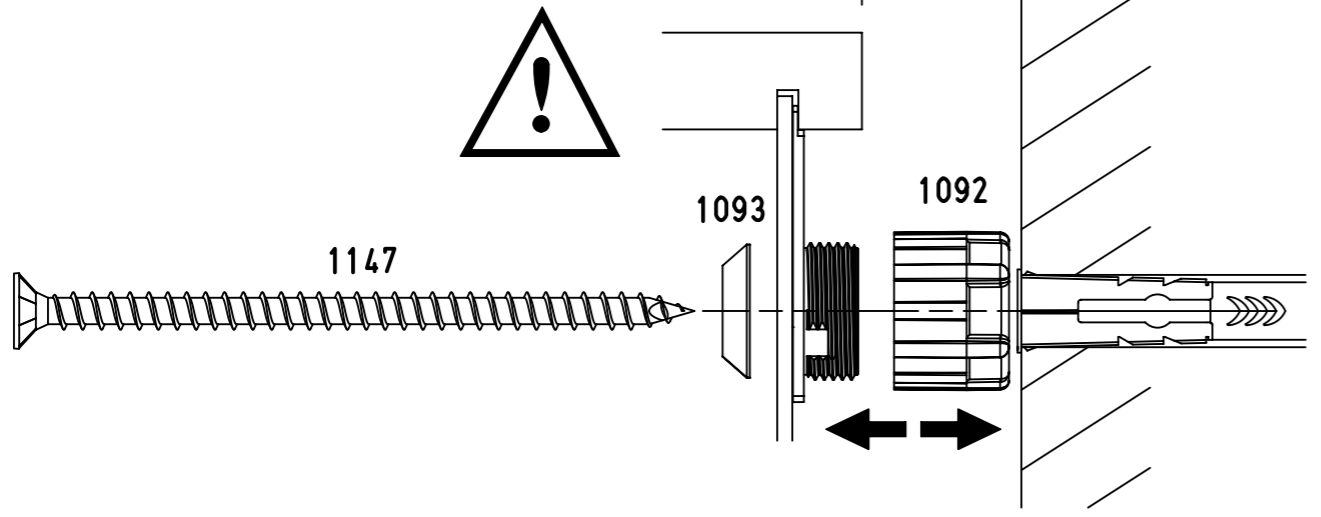
10-15mm



1147

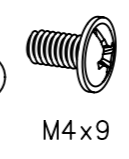
1093

1092

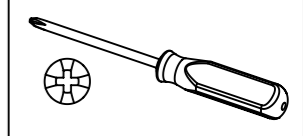


20

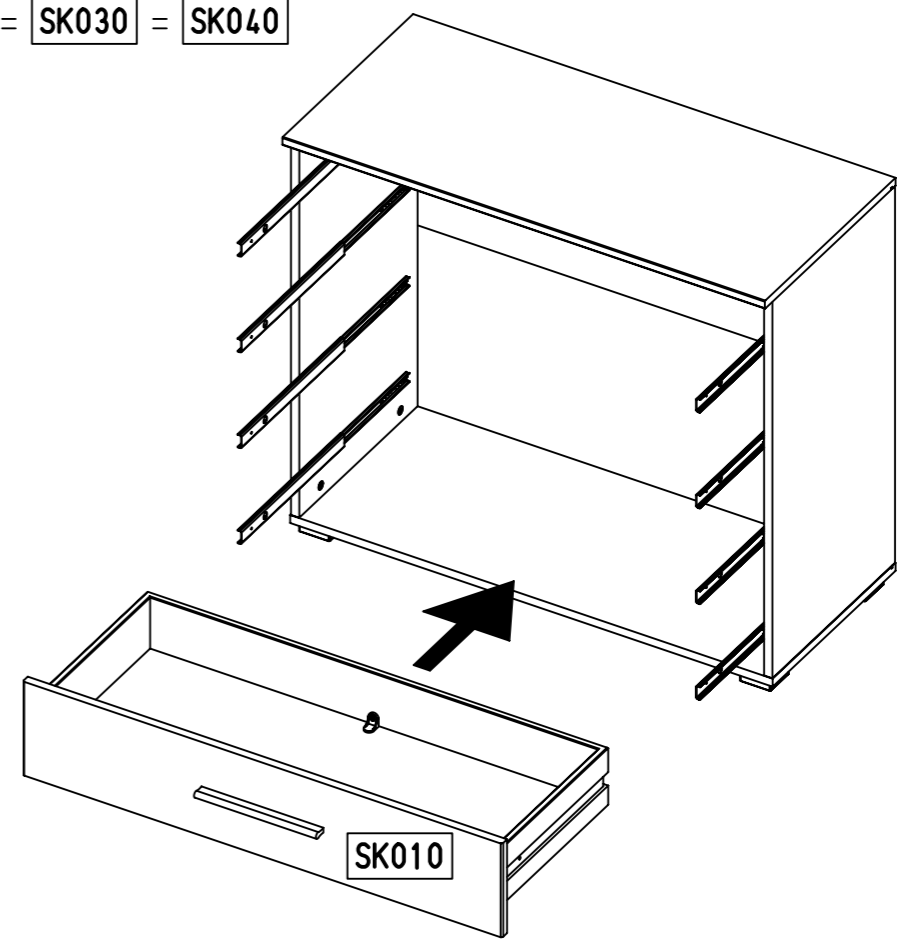
8x 568



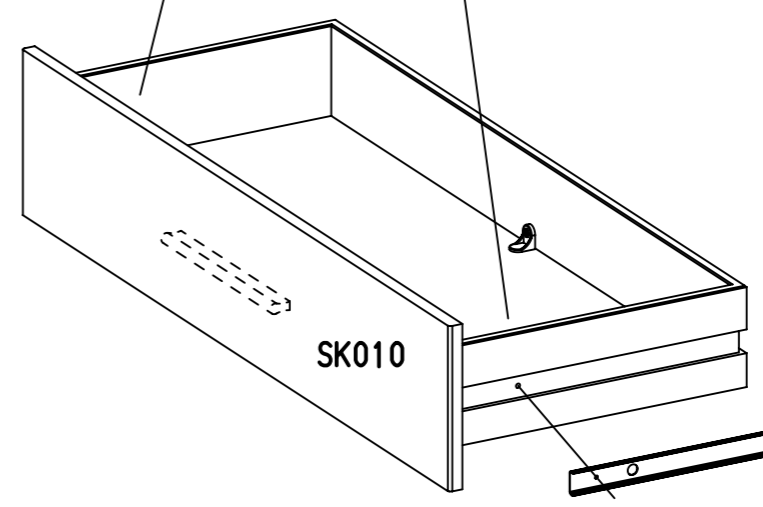
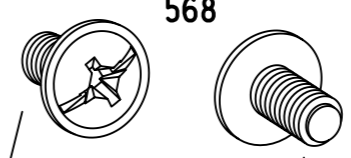
M4x9



SK010 = SK020 = SK030 = SK040



568

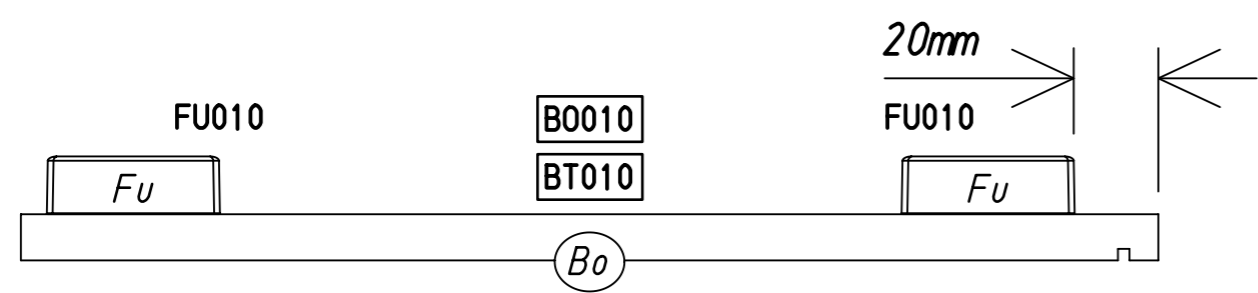
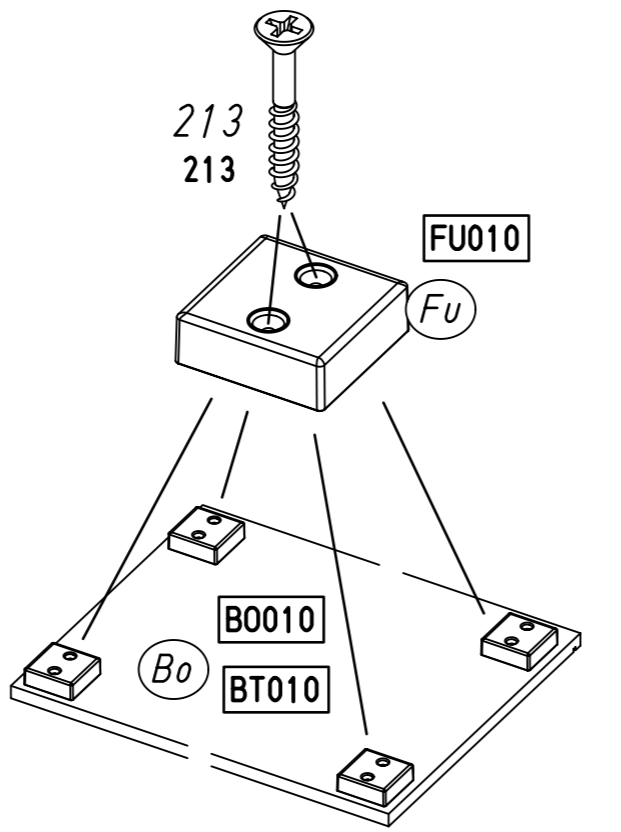
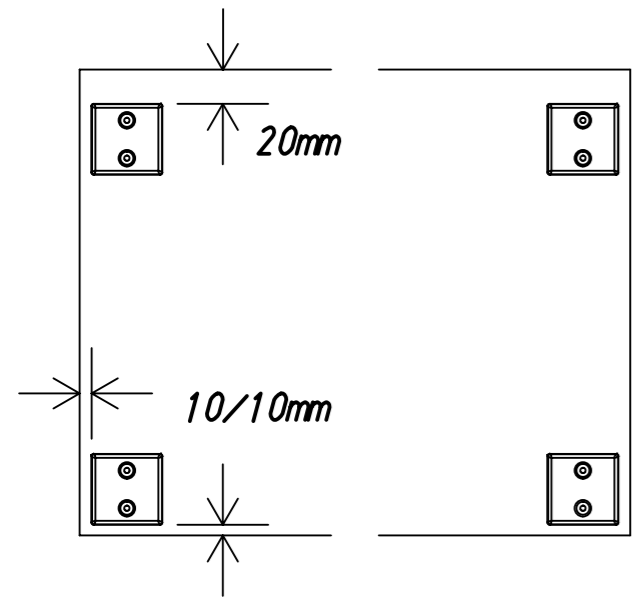
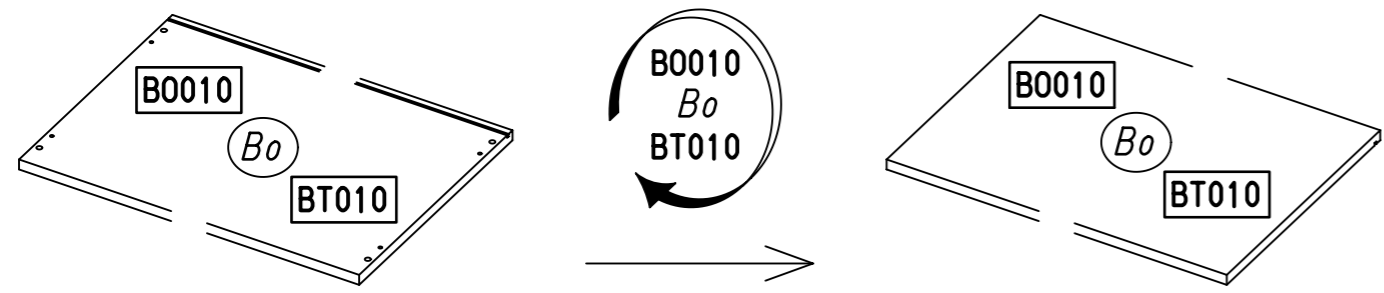
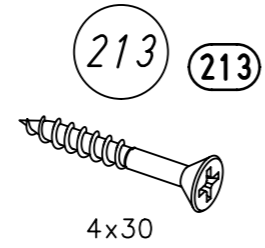
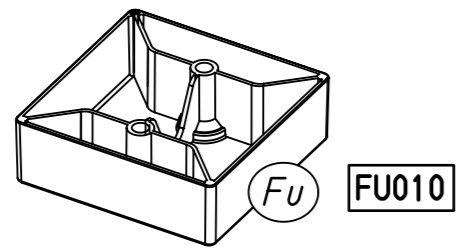


SK010

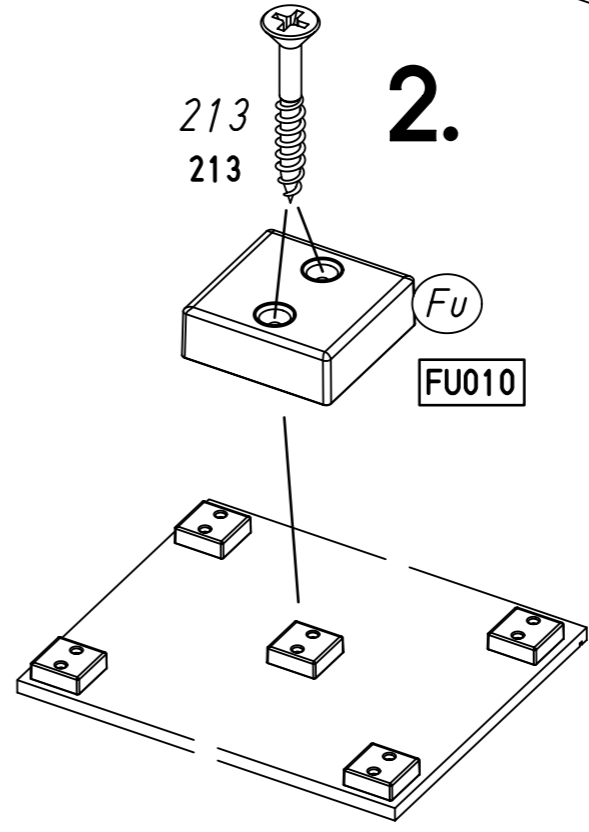
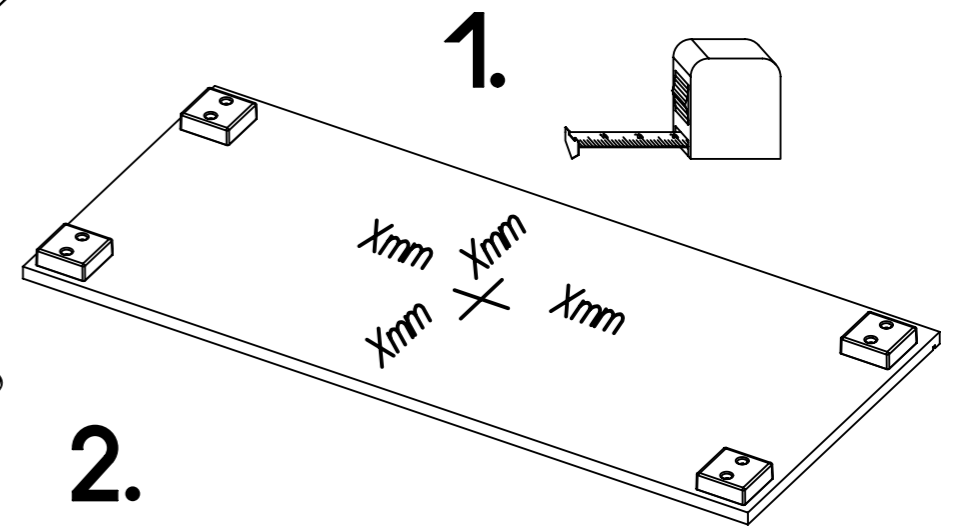
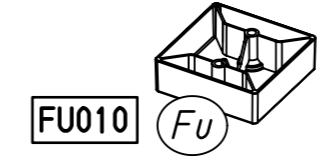
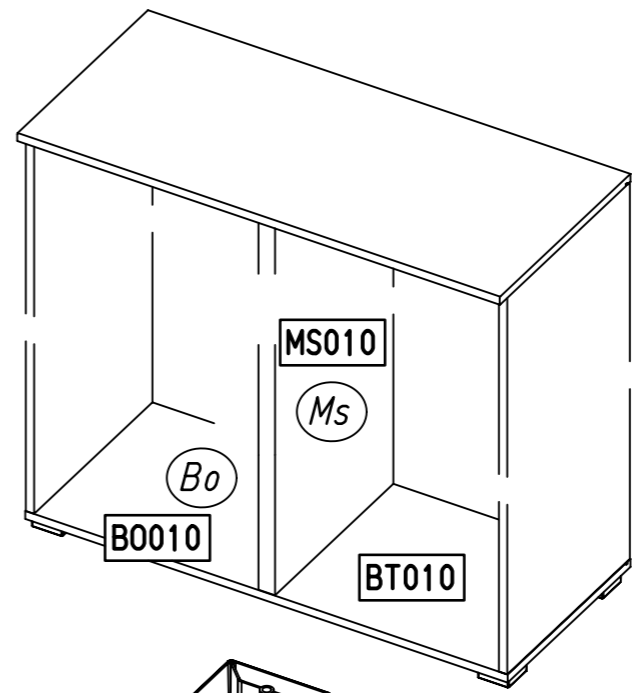
1.

MZ044_01

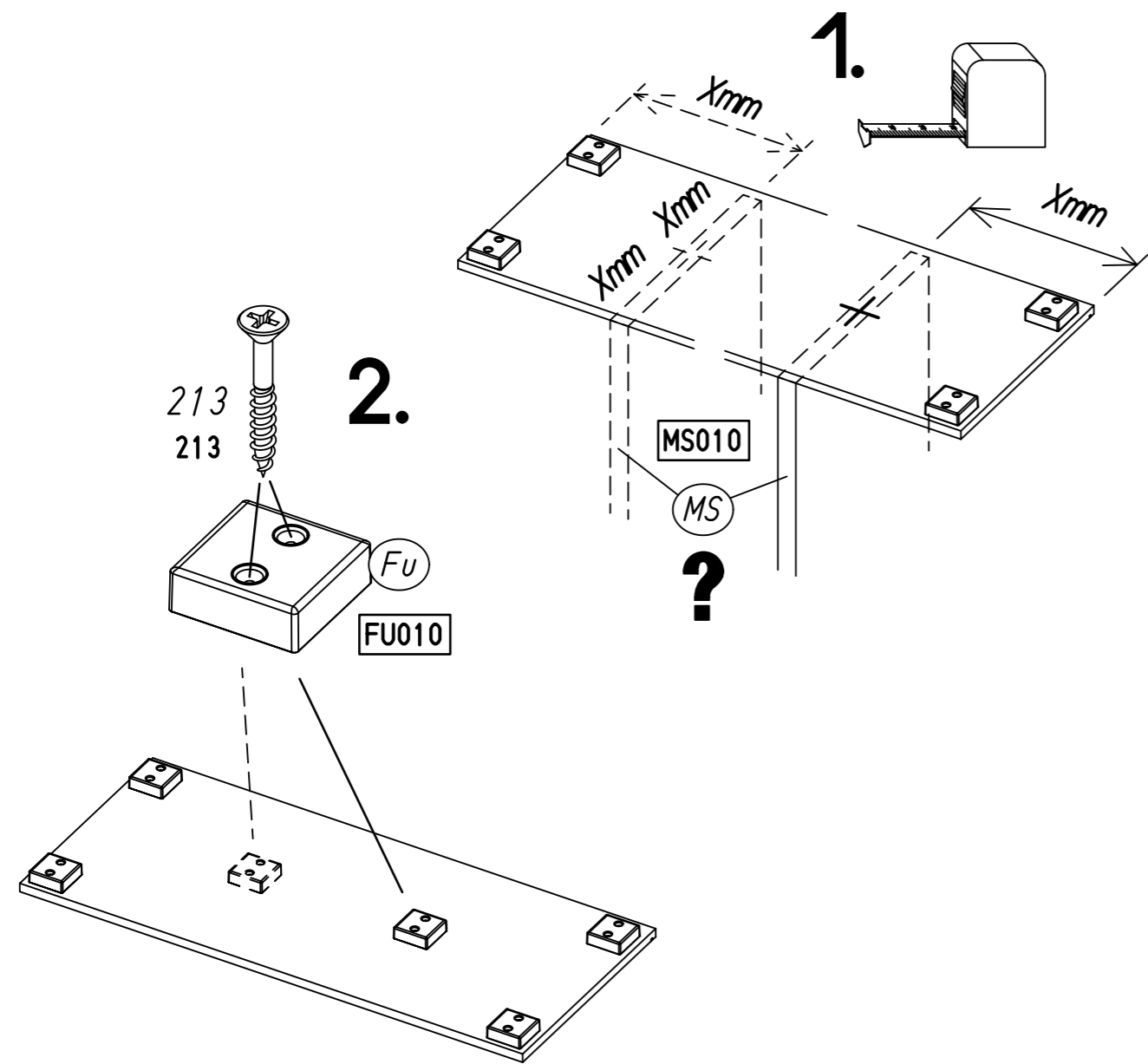
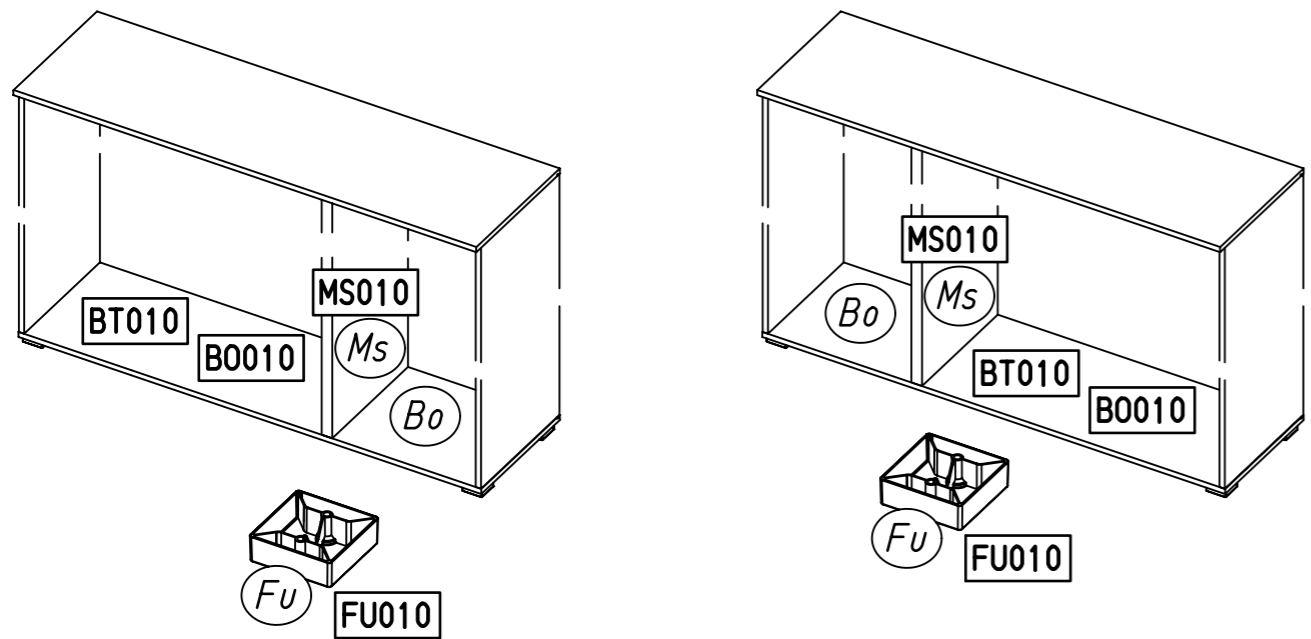
rauch



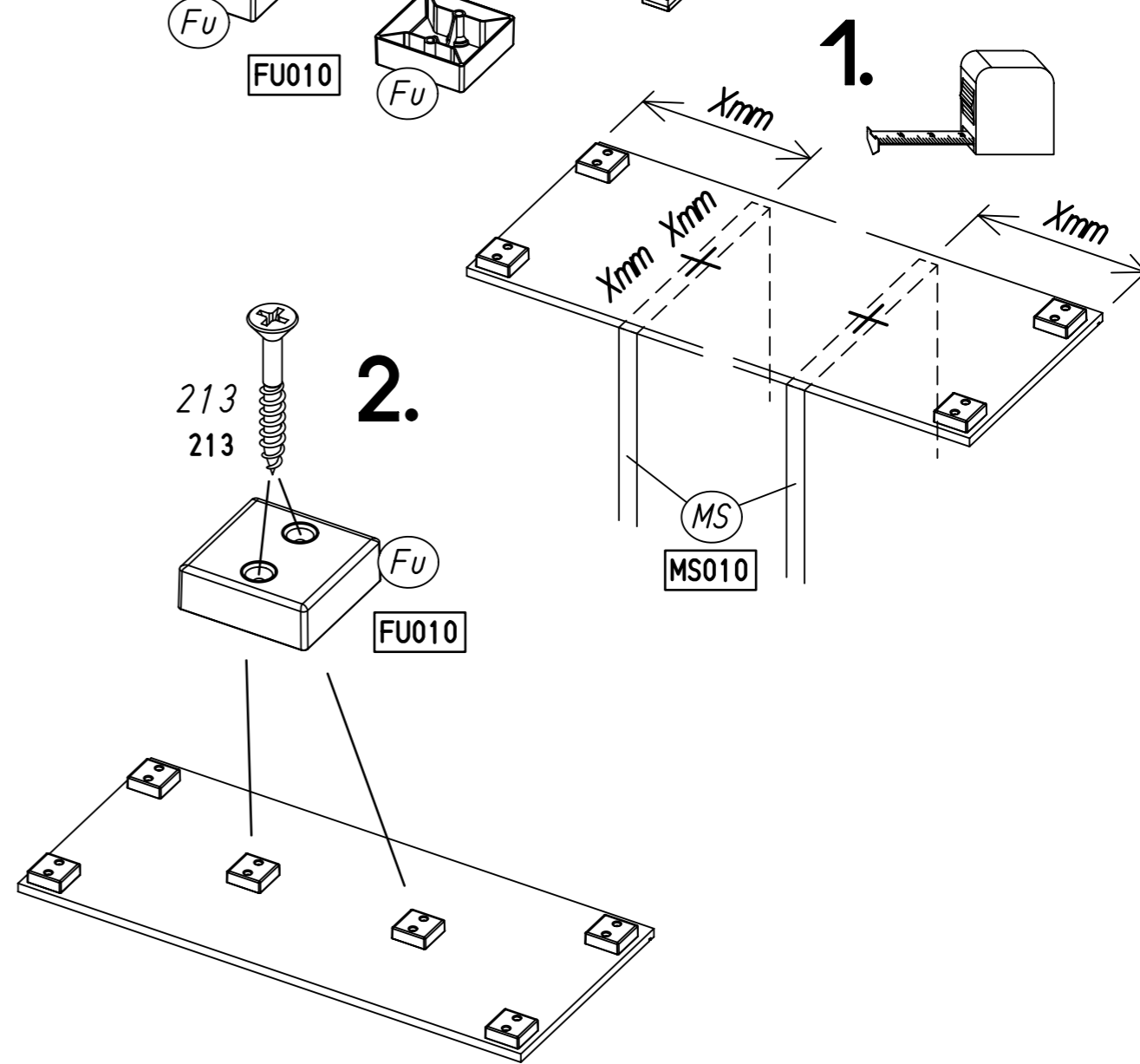
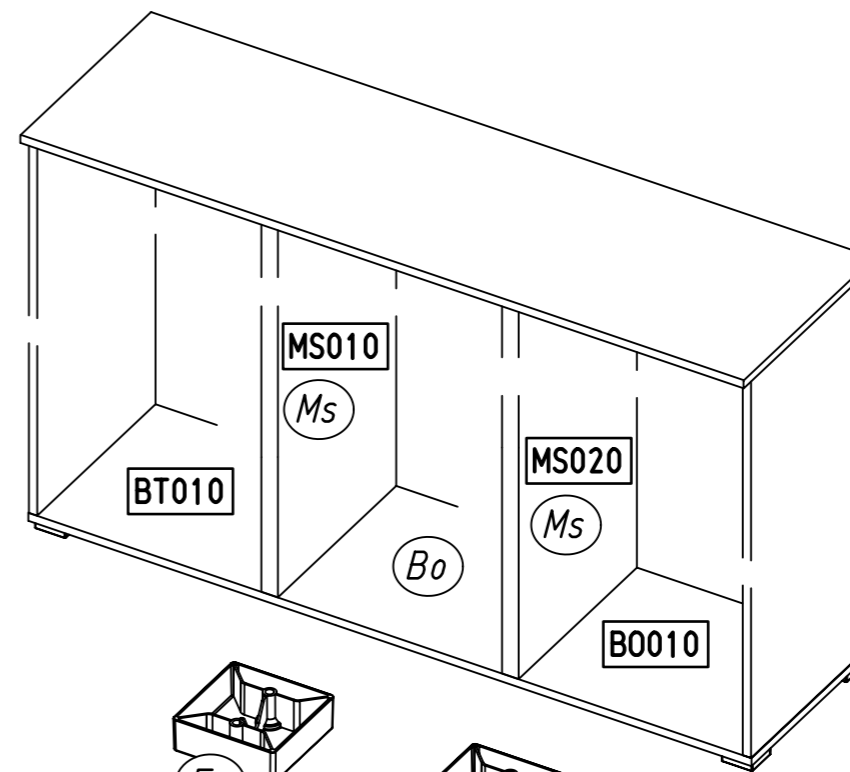
2.



3.

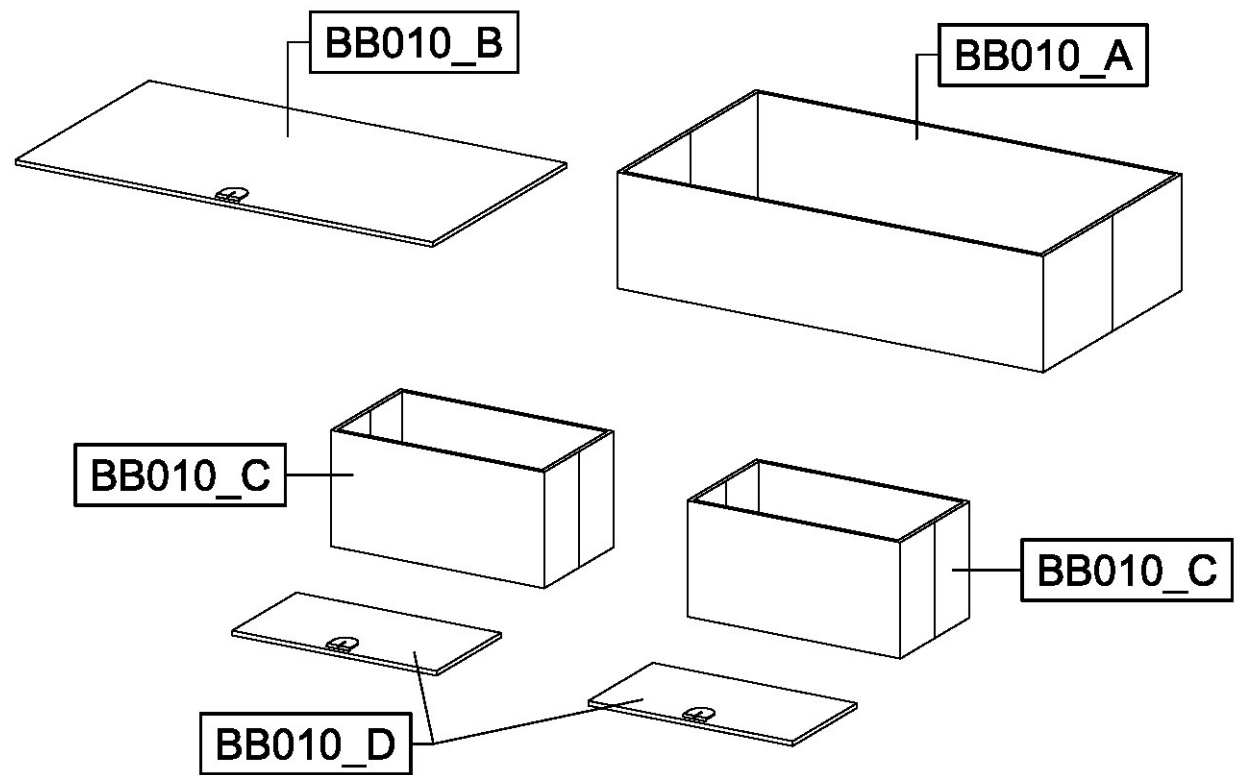
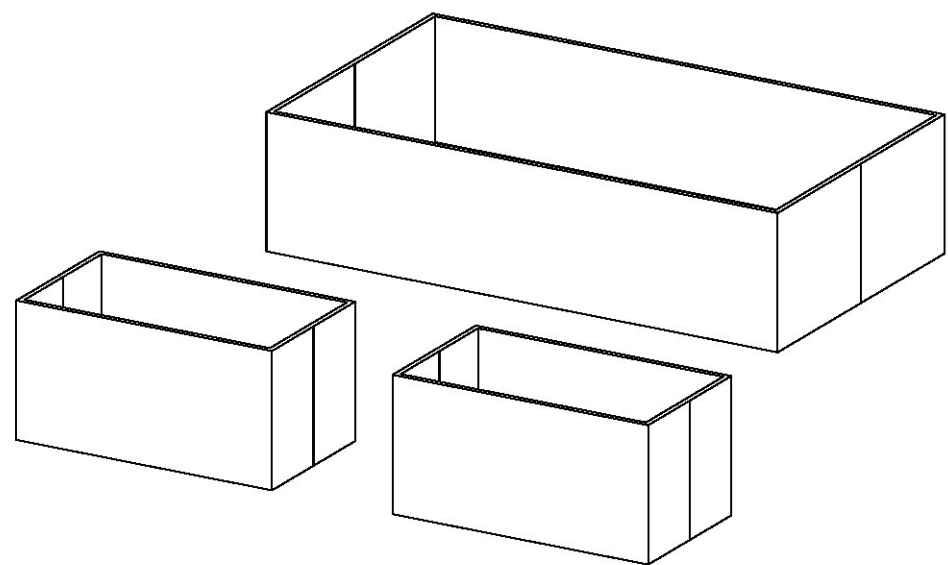
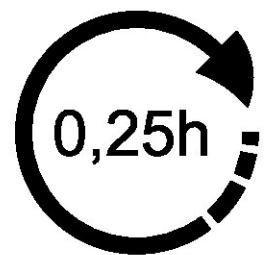


4.



MZ192_01

rauch



1

