

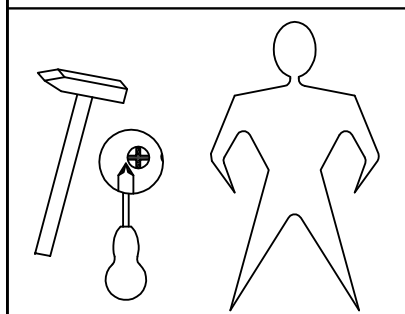
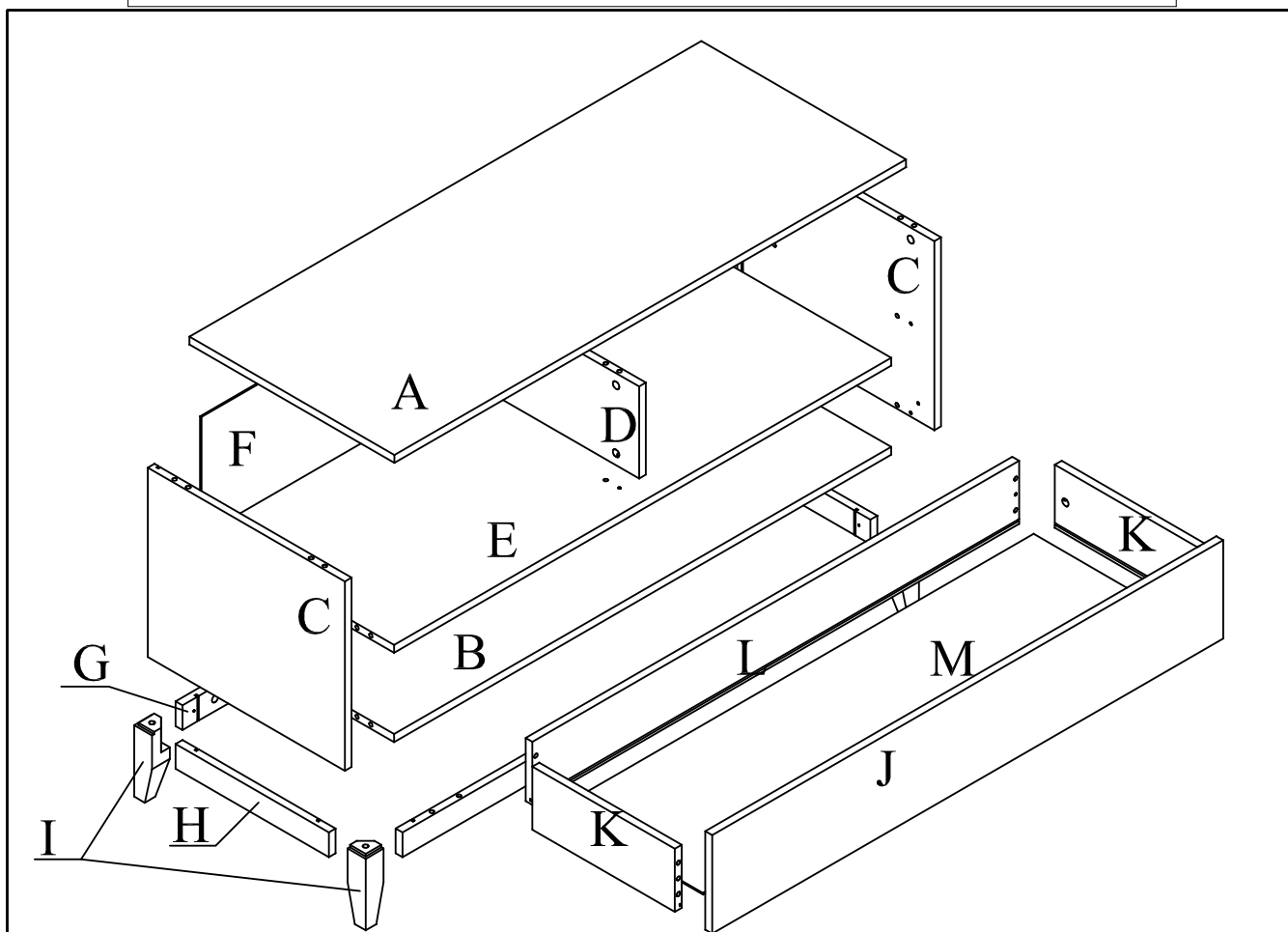
Reference no:

Designed by

Rudolf Pfeifer

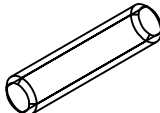
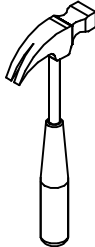
Ruler - To help correctly identify the fittings

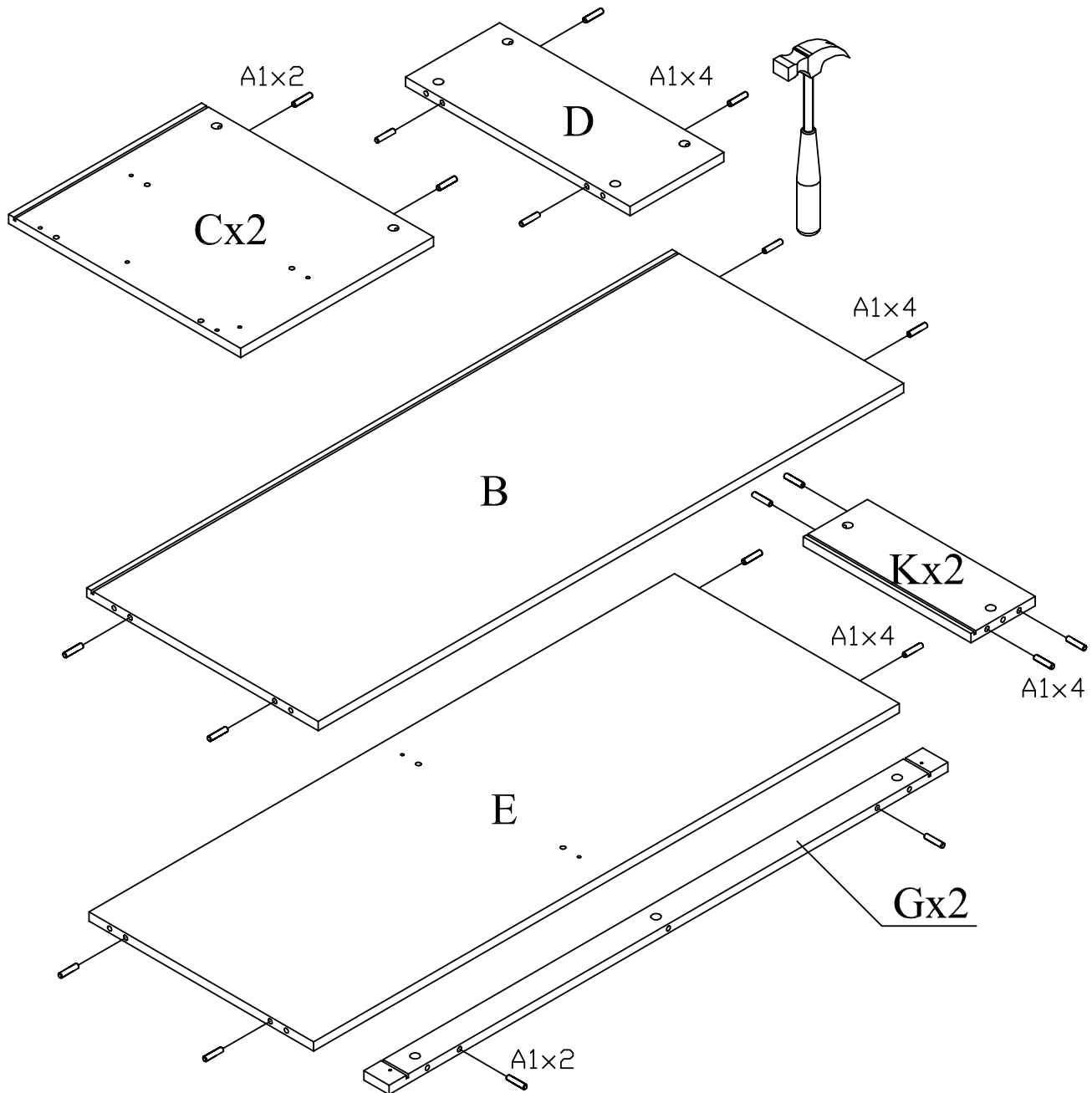
0 10 20 30 40 50 60 70 80 90 100 110 120



	A1
	ø8x35
QTY	x28

	A2	A3	A4	A5	A6	A7
	ø7x24	ø15x11,5	ø17	ø20	ø3,5x16	ø10x20/ M6x40
QTY	x26	x26	x12	x4	x8	x4
	A8	A9	A10	A11	A12	A13
	78x32x2	ø3x15	ø6,3x11,5	350mm	(ø3x20)	4mm
QTY	x4	x4	x4	1xL/R	x10	x1

Step 1	A1		
	QTY	∅8x35 x28	



ENG - In case of any quality issues, contact your local dealer and always mention item reference No.

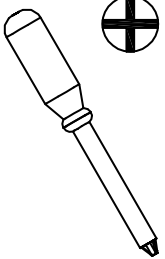
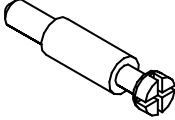
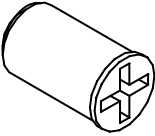
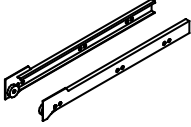
FR - En cas de problèmes de qualité, contactez votre revendeur local et mentionnez toujours la référence de l'article.

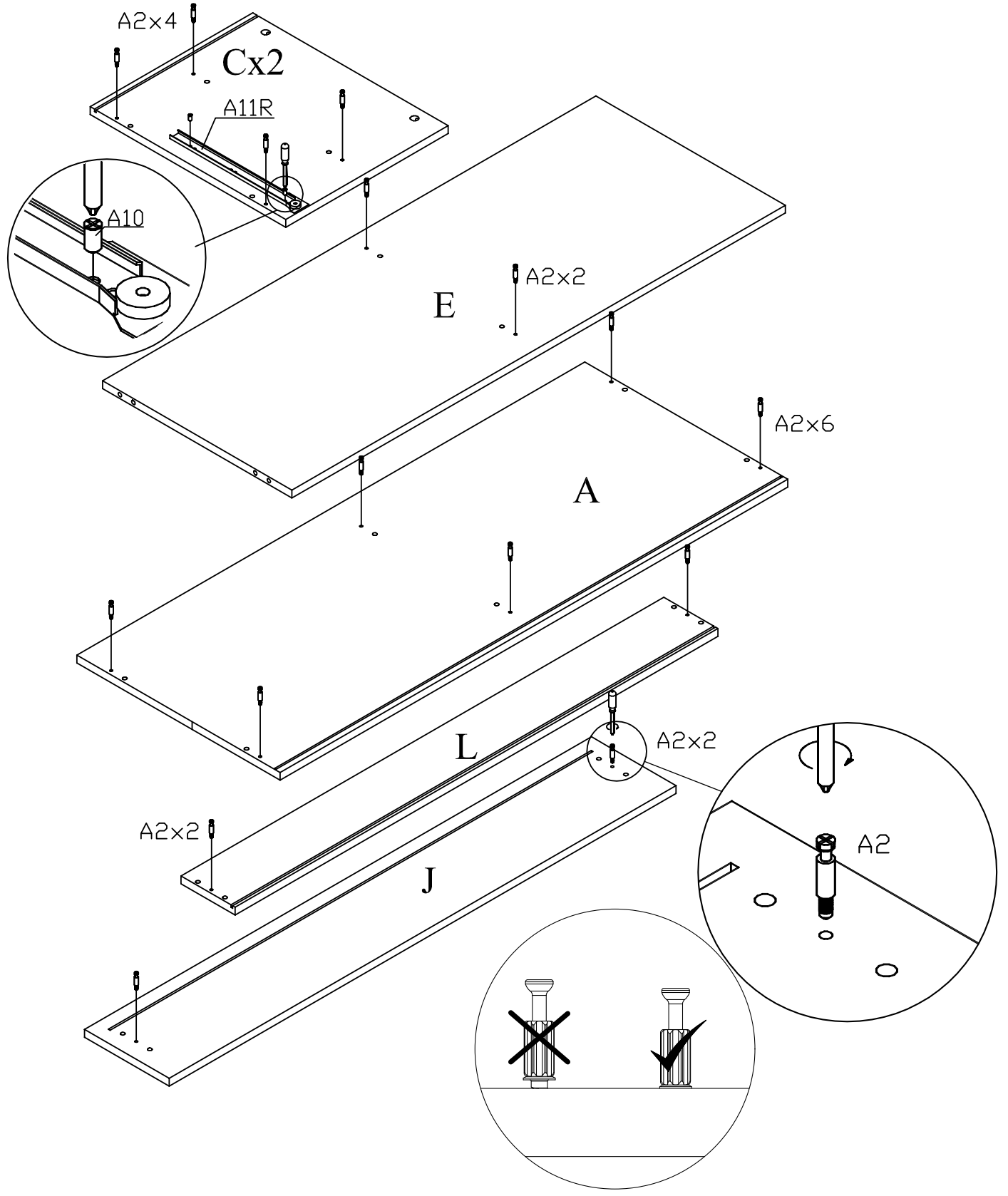
IT - In caso di eventuali problemi di qualità, contattare il rivenditore locale e citare sempre punto di riferimento No.

ES - En caso de problemas de calidad, póngase en contacto con su distribuidor local y mencione siempre la referencia del artículo.

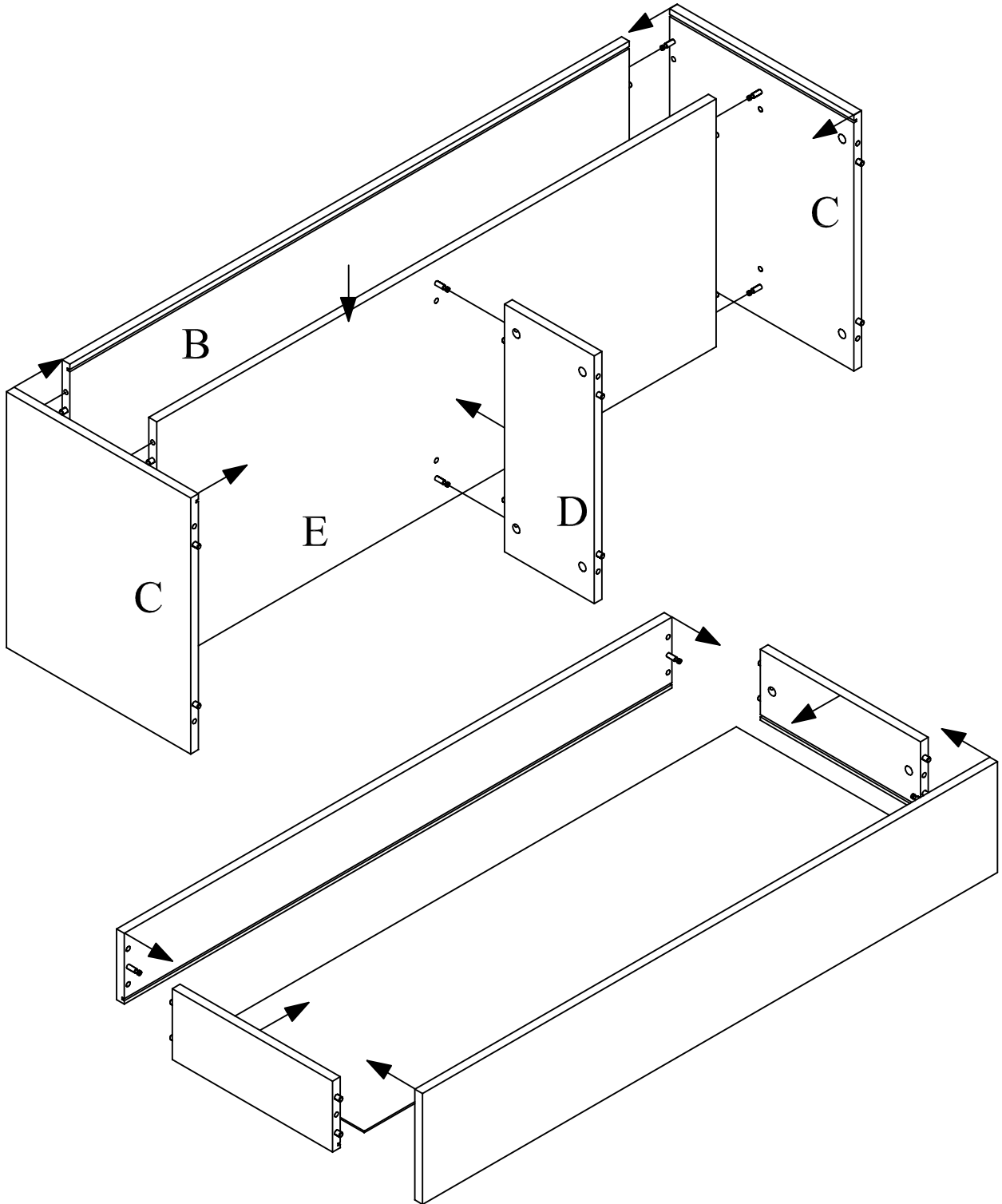
DE - Wenn Sie Qualitätsprobleme haben wenden Sie sich bitte an ihren örtlichen Händler und erwähnen Sie immer die Artikelnummer.

Step 2

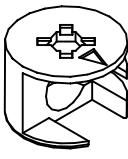
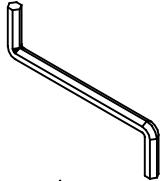
	A2	A10	A11	
QTY	 ø7x35 x20	 ø6,3x11,5 x4	 350mm 1xL/R	

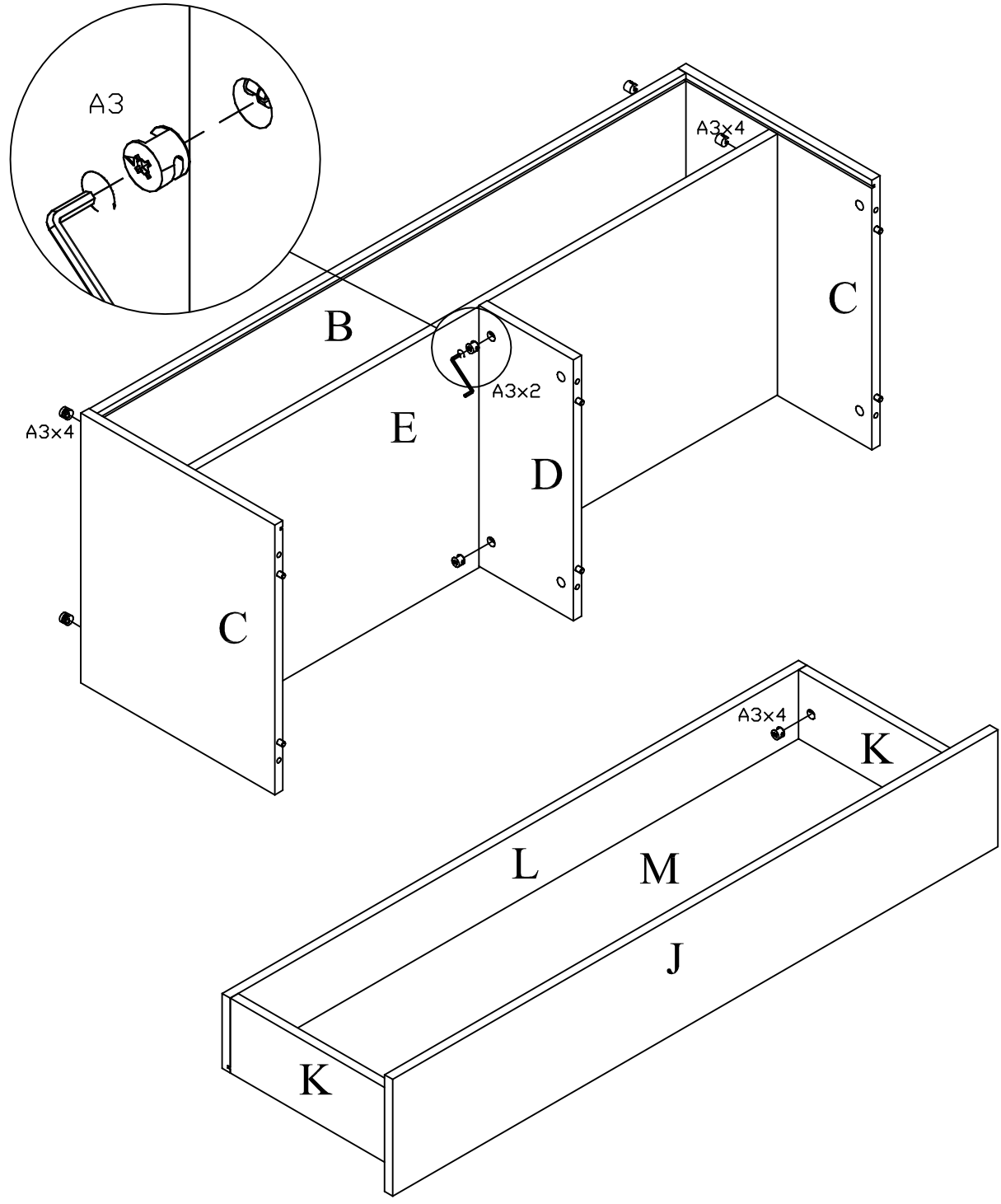


Step 3



Step 4

	A3  ø15x11,5	A13  4mm
QTY	x14	x1



Step 5

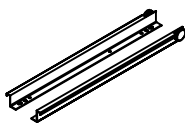
A9



∅3 x15

x4

A11



350mm

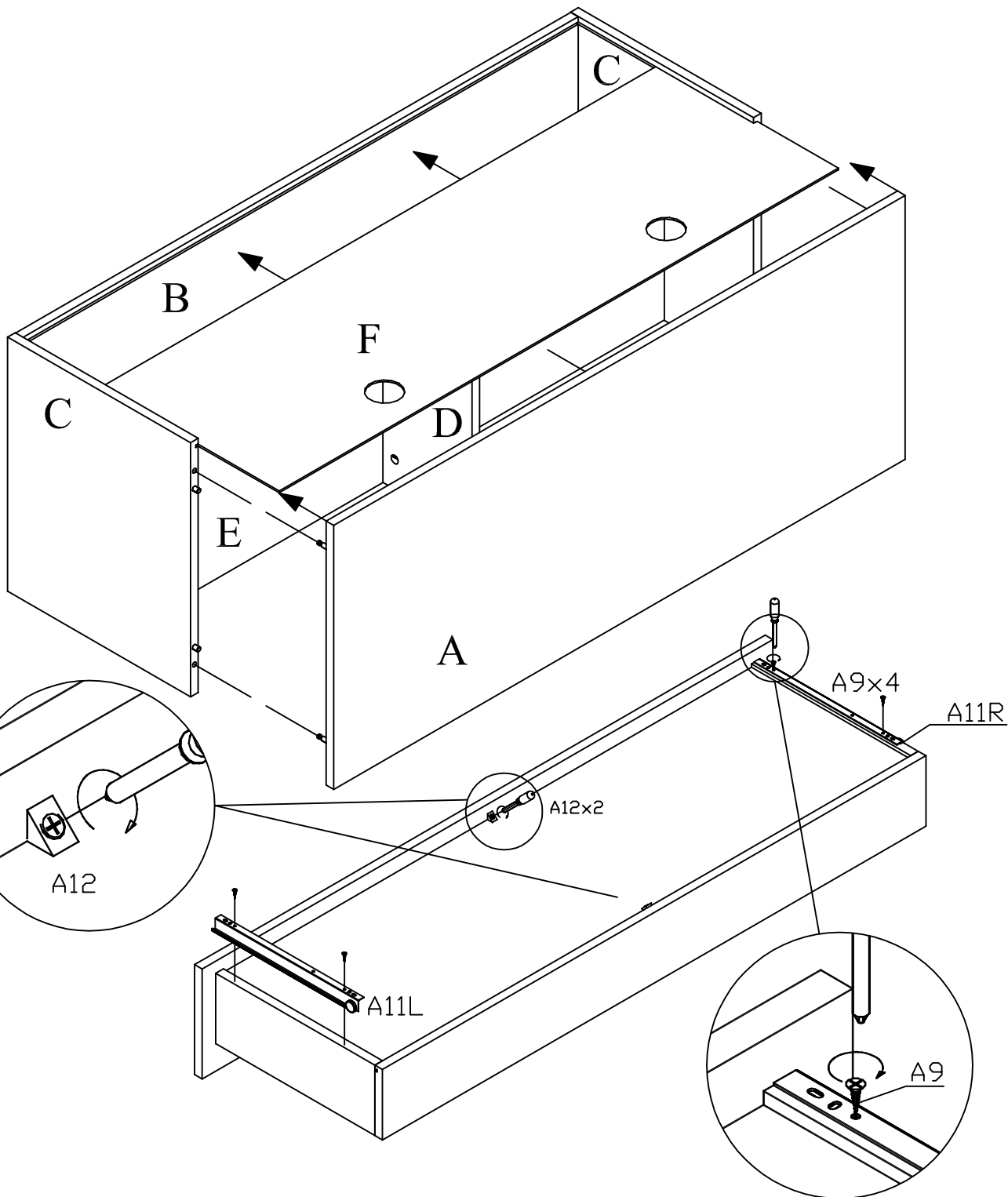
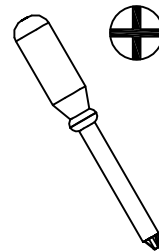
1xL/R

A12

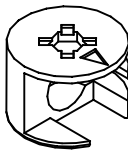
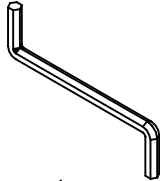
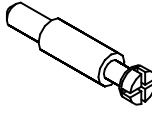
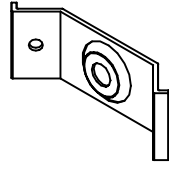
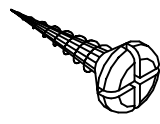


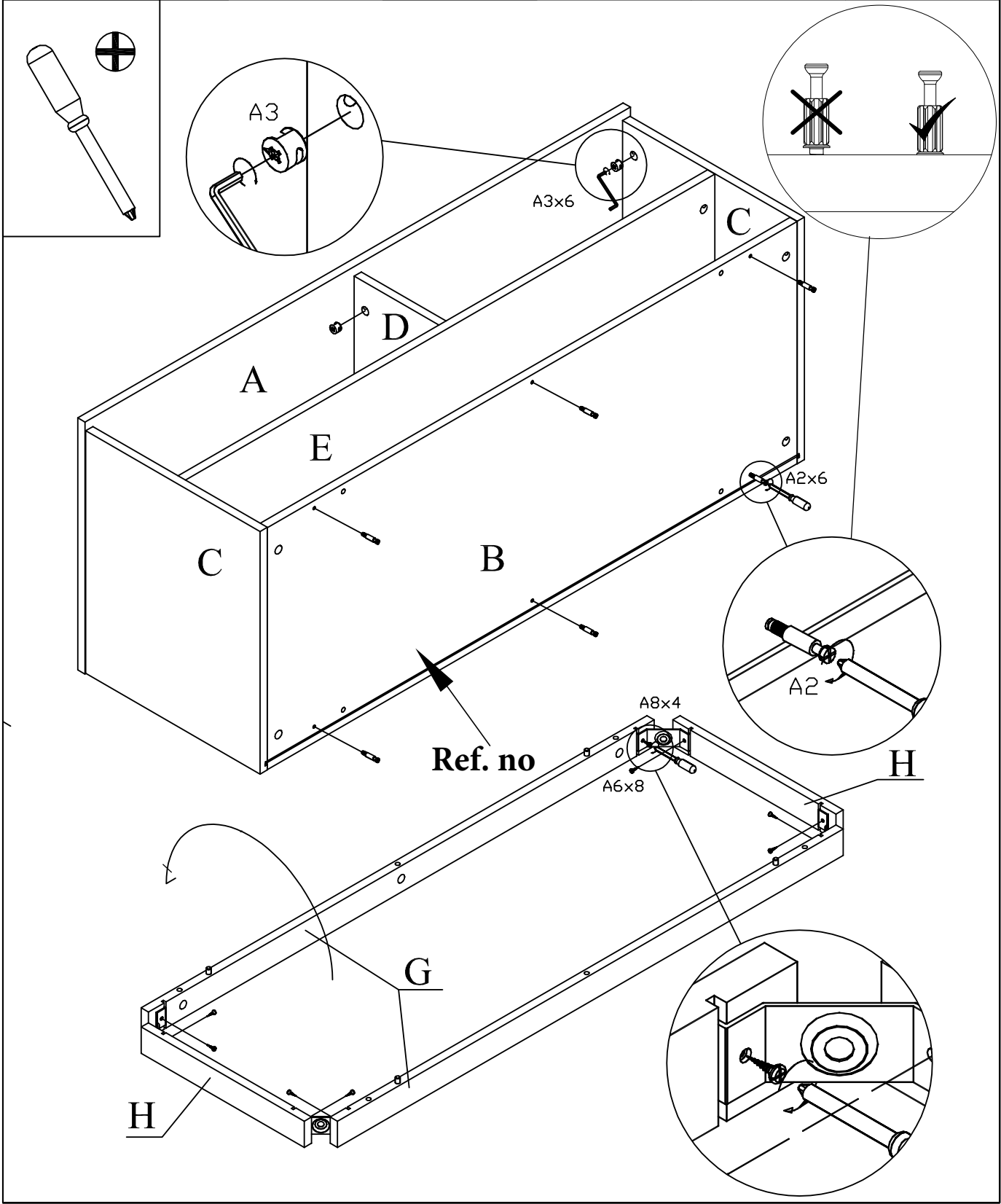
(∅3x20)

x2



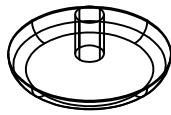
Step 6

	A3  ø15x11,5	A13  4mm	A2  ø7x35	A8  78x32x2	A6  ø3,5x16
QTY	x6	x1	x6	x4	x8



Step 7

A4

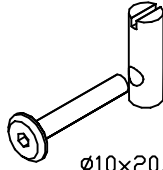


∅17

QTY

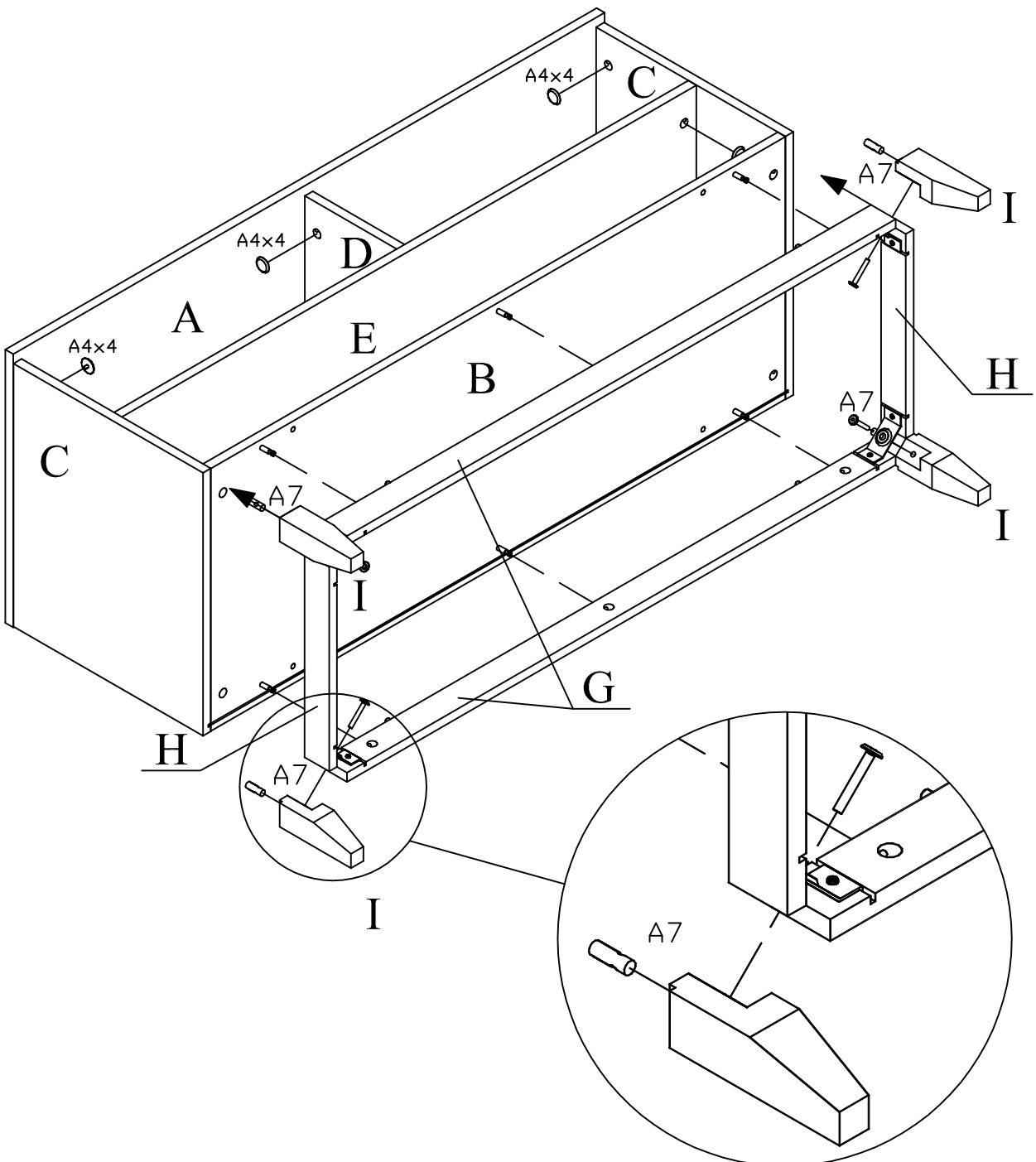
×12

A7



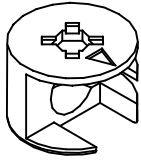
∅10×20/
M6×40

×4



Step 8

A3

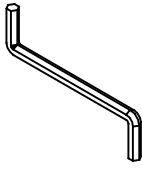


$\varnothing 15 \times 11,5$

QTY

x6

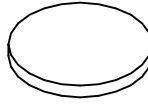
A13



4mm

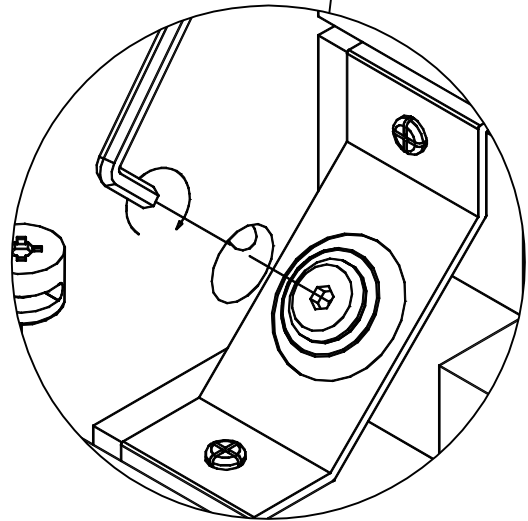
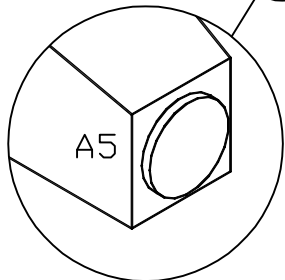
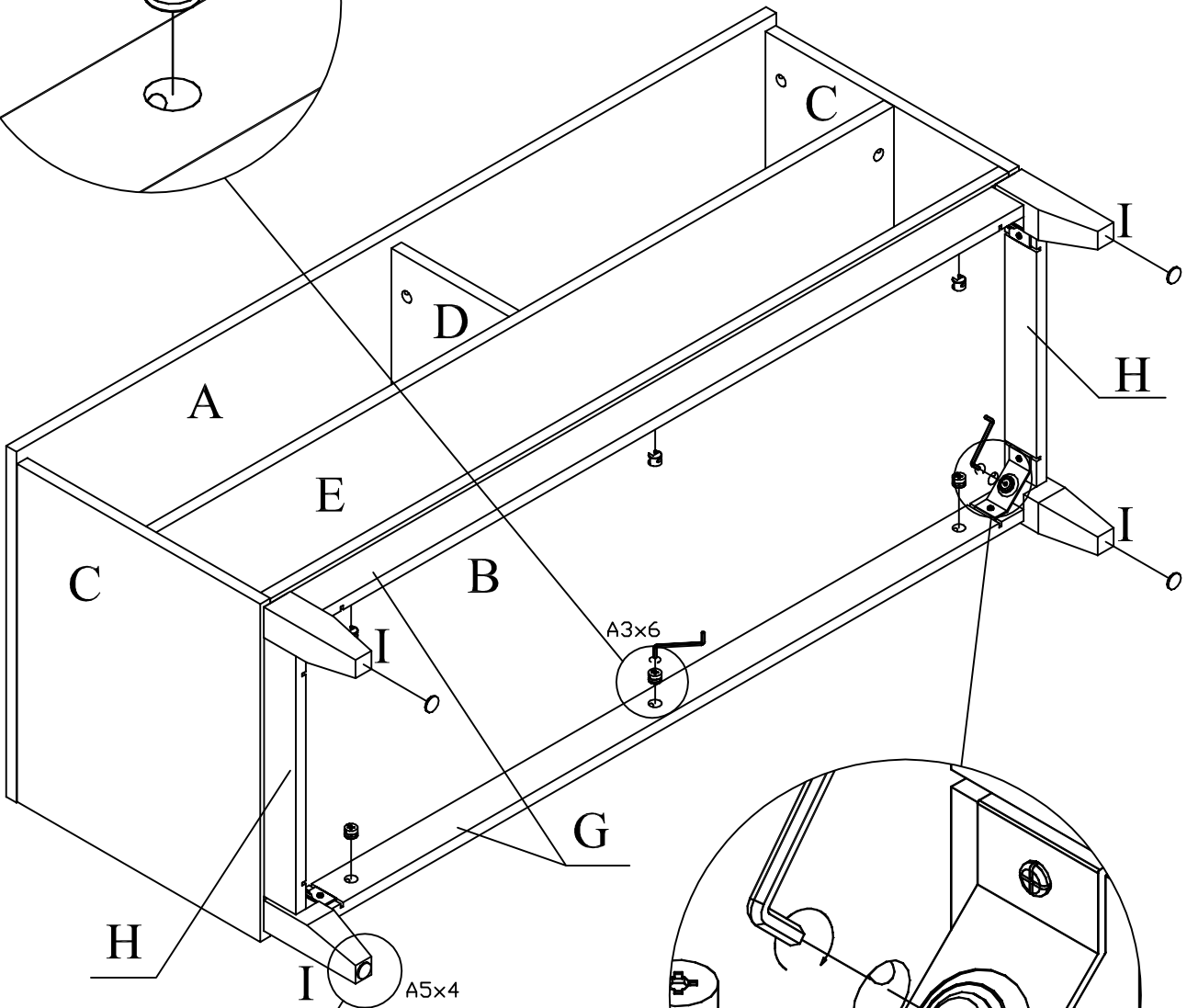
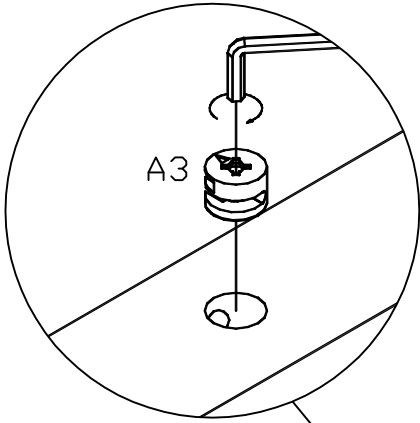
x1

A5



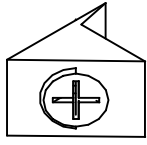
$\varnothing 20$

x4



Step 9

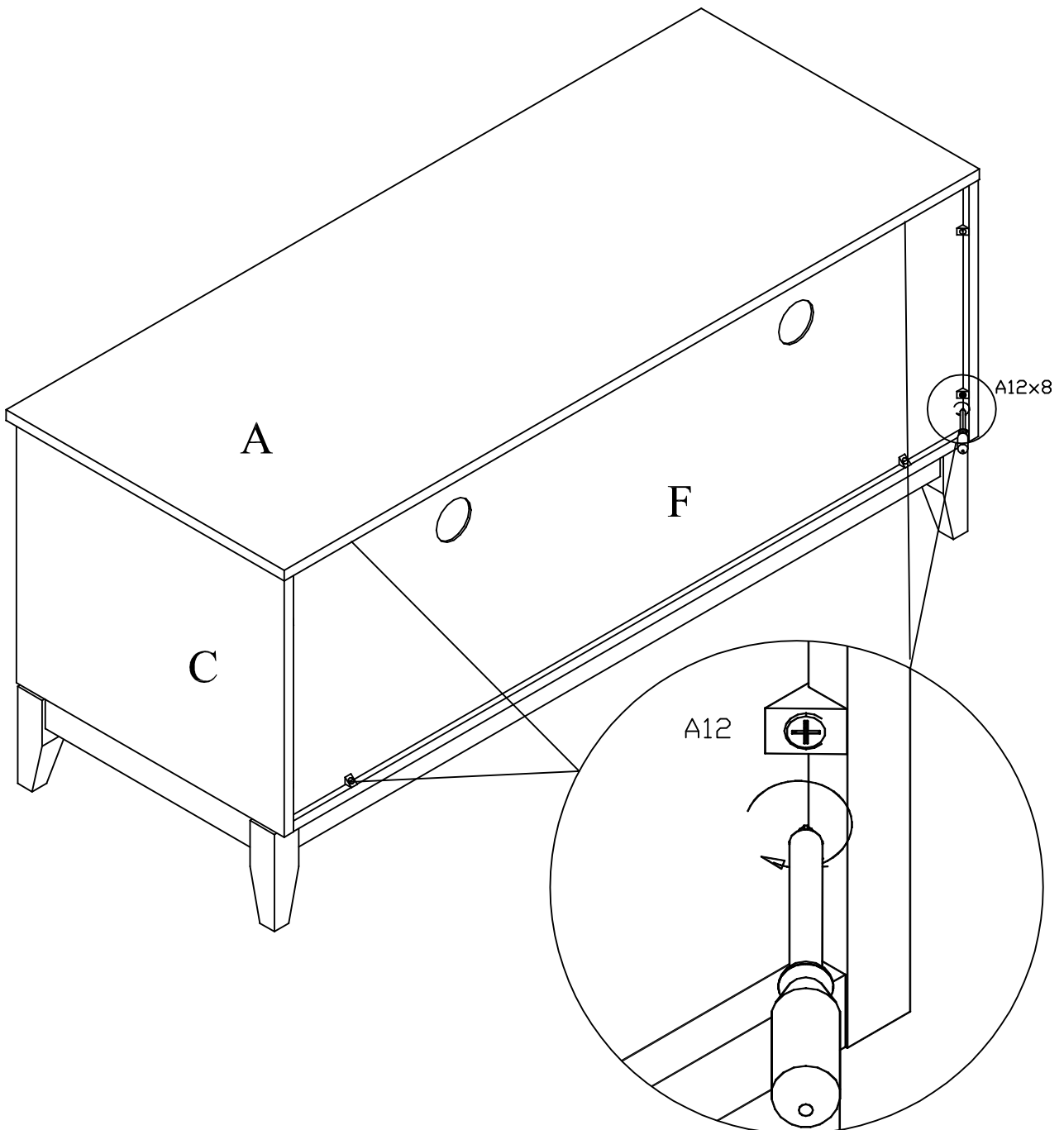
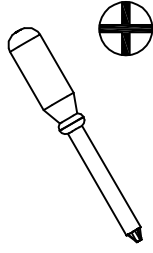
A12



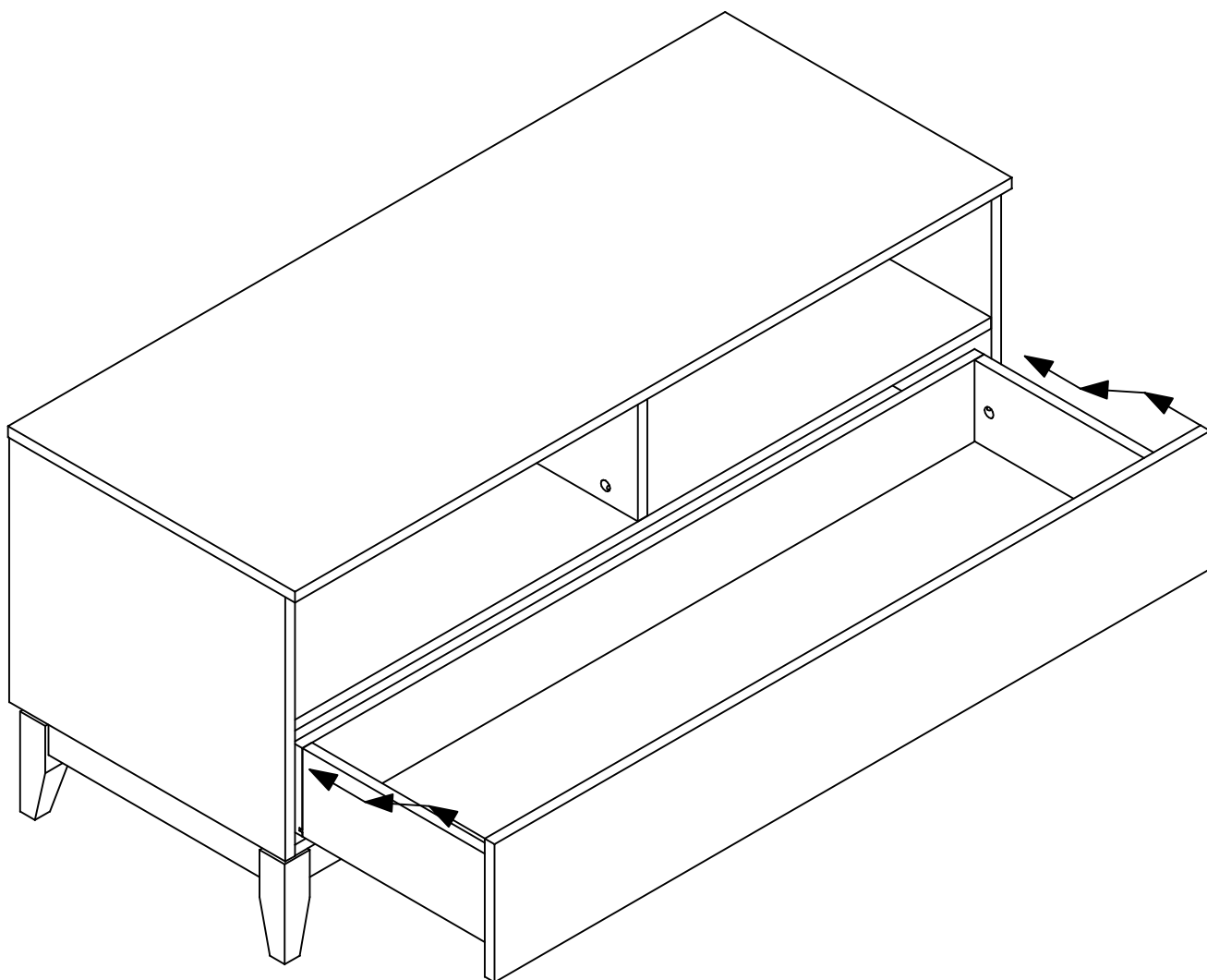
(\varnothing 3x20)

QTY

x8



Step 10





Safety and Care Advice

Important - Please read these instructions fully before starting assembly

Check you have all the components and tools.

Remove all fittings from the plastic bags and separate them into their groups.

Keep children and animals away from the work area, small parts could choke if swallowed.

Make sure you have enough space to layout the parts before starting.

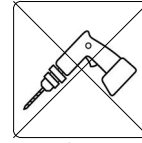
Do not stand or put weight on the product, this could cause damage.

Assemble the item as close to its final position (in the same room) as possible. Do not place furniture directly in front of radiators, fires or any other source of heat.



Parts of the assembly will be easier with 2 people.

Assemble on a soft level surface to avoid damaging the unit or your floor.



We do not recommend the use of power drill/drivers for inserting screws, as this could

damage the unit. Only use hand screwdrivers.

Dispose of all packaging carefully and responsibly.

General care and maintenance

Only clean using a damp cloth and mild detergent, do not use bleach or abrasive cleaners.

From time to time check that there are no loose screws and connectors on this unit.

This product should not be discarded with household waste. Take to your local authority waste disposal centre.

Cleaning and care of high gloss surfaces

Regular dusting with a dry cloth will keep your units clean.

Clean marks with a damp cloth.

Do not allow spillages to stay on the surface for long.

Do not clean with products containing the following: Acetone, (e.g. nail varnish remover). Ammonia (e.g. bleach). or Sodium hydroxide (e.g. Caustic soda, drain and oven cleaners).

Do not use abrasive cleaners.

To remove stubborn stains, wipe over with a damp cloth and washing up liquid.

In the event of accidental contact with aggressive cleaners, rinse thoroughly with water.

Use place mats to protect the surface from moisture and heat.

Maximum weight limit

