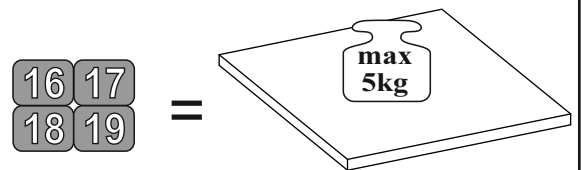
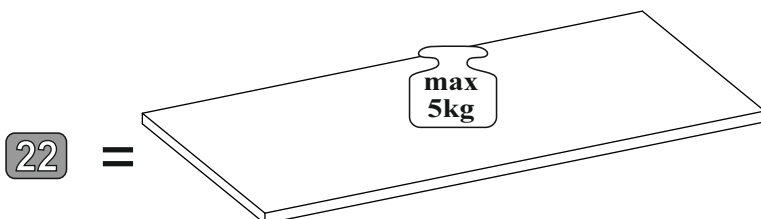
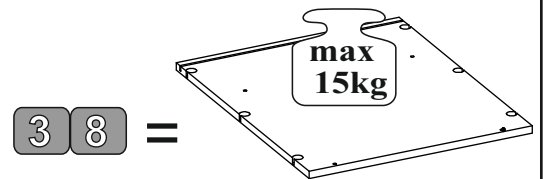
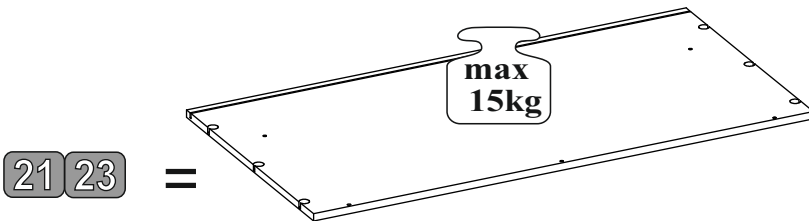
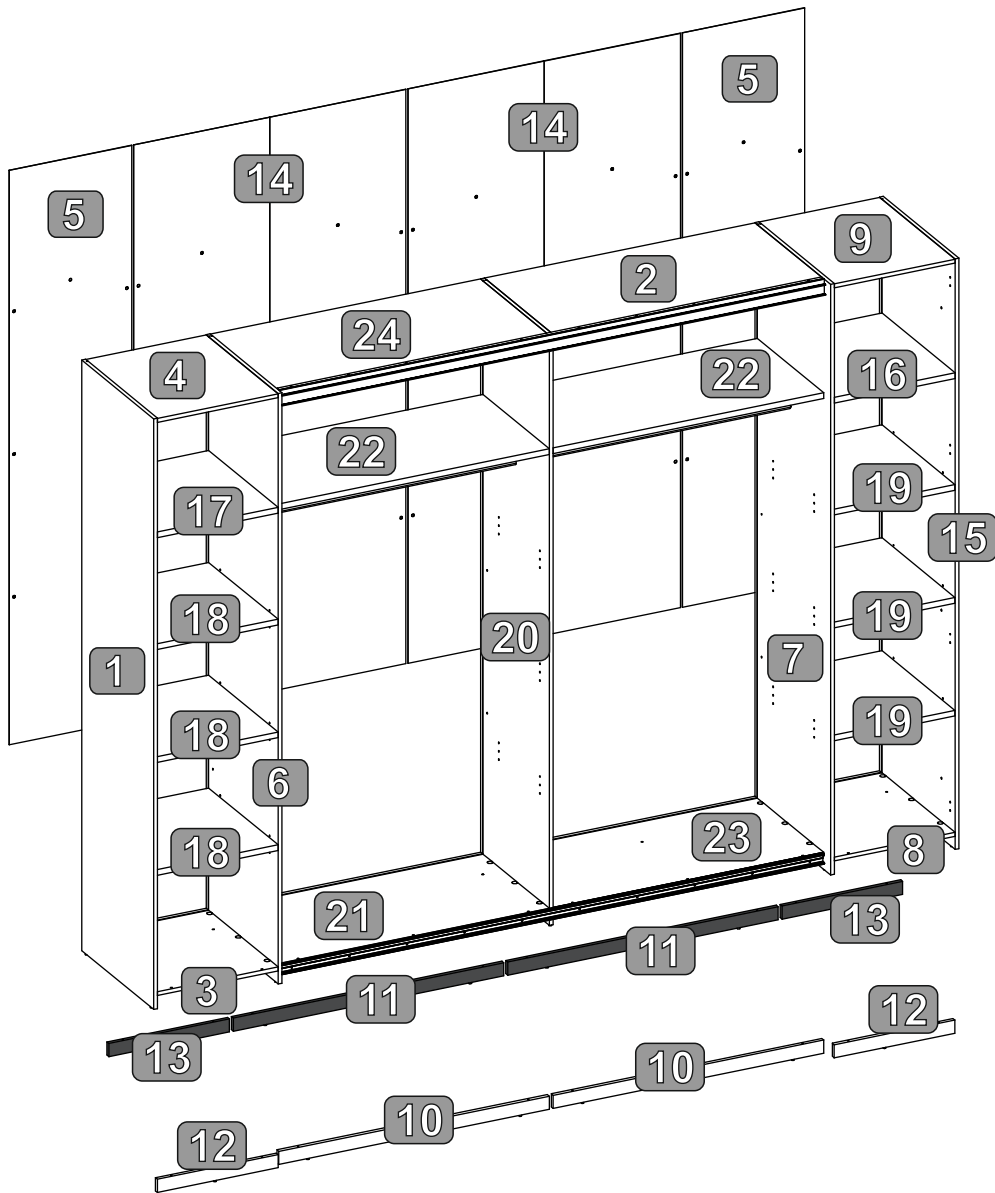
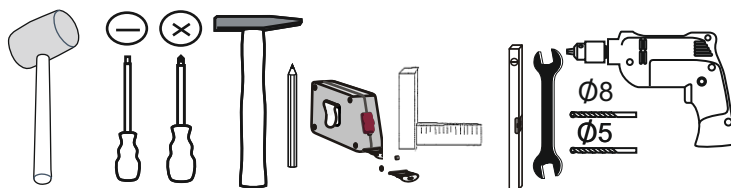
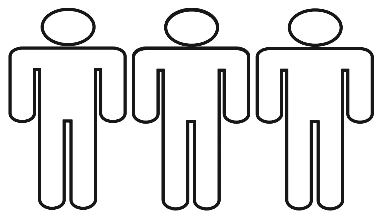



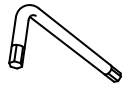
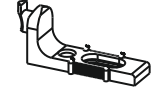


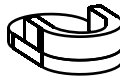


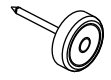


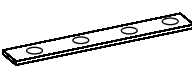
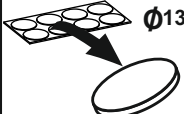

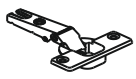
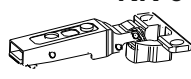
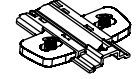







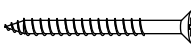


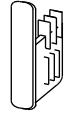

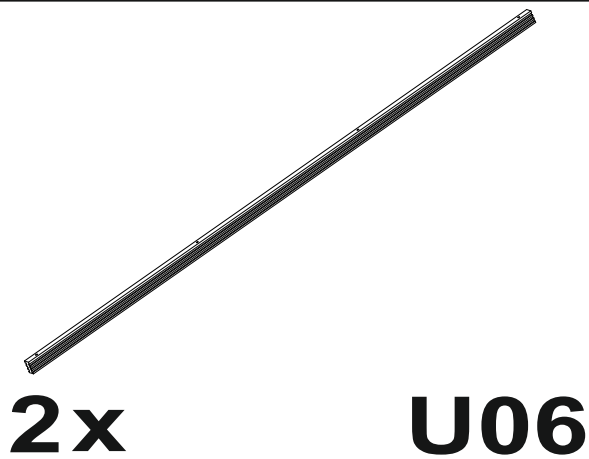


NR	DIM	QTE	COLLI
1	2250x560x15	1	1/8
2	827,5x535x15	1	1/8
3	469,5x560x15	1	1/8
4	469,5x560x15	1	1/8
5	2188x476x2	2	1/8
6	2250x560x15	1	1/8
7	2250x588x15	1	2/8
8	469,5x588x15	1	2/8
9	469,5x588x15	1	2/8
10	827,5x50x15	2	2/8
11	827,5x50x15	2	2/8
12	469,5x50x15	2	2/8
13	469,5x50x15	2	2/8
14	2188x834x2	2	2/8
15	2250x588x15	1	2/8
16	469,5x569x22	1	3/8
17	469,5x541x22	1	3/8
18	469,5x540x22	3	3/8
19	469,5x568x22	3	3/8
20	2249x535x15	1	3/8
21	827,5x535x15	1	4/8
22	827,5x516x22	2	4/8
23	827,5x535x15	1	4/8
24	827,5x535x15	1	4/8
25	2200x496x15	1	6/8
26	2200x496x15	1	6/8
27	850x550x15	4	7/8;8/8
28	850x550x15	4	7/8;8/8



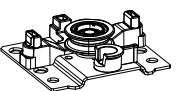
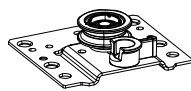


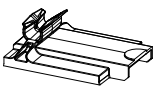
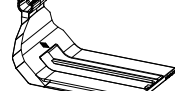
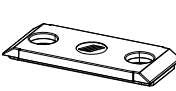
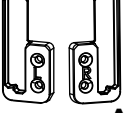
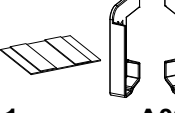
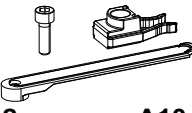



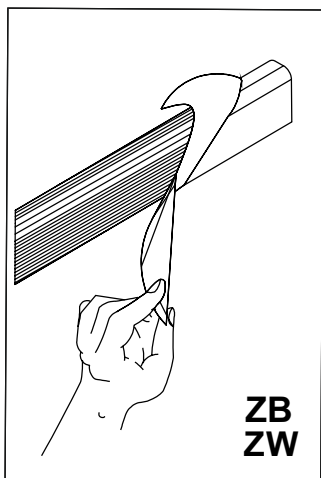
 48x T05	 48x T04	 20x W16	 1x K02	 30x R02	 2x W07	 44x R01
 4x E03	 136x W02	 24x W12	 22x S01	 8x W09	 2x J01	 18x W08
 20x C02	 4x Z04	 4x Z02	 4x Z22	 4x Z21	 24x E01	 16x W30
 8x W05	 24x E09	 30x W20	 24x W10	 2x F01	 2x F11	 2x F13
 3x Sz1	 6x ZA2	 1x K03				



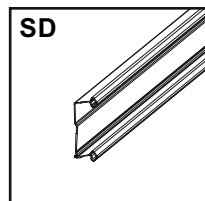
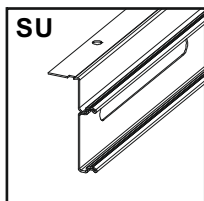
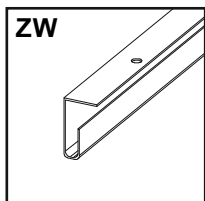
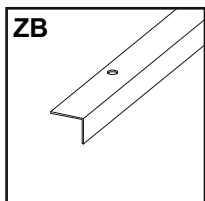
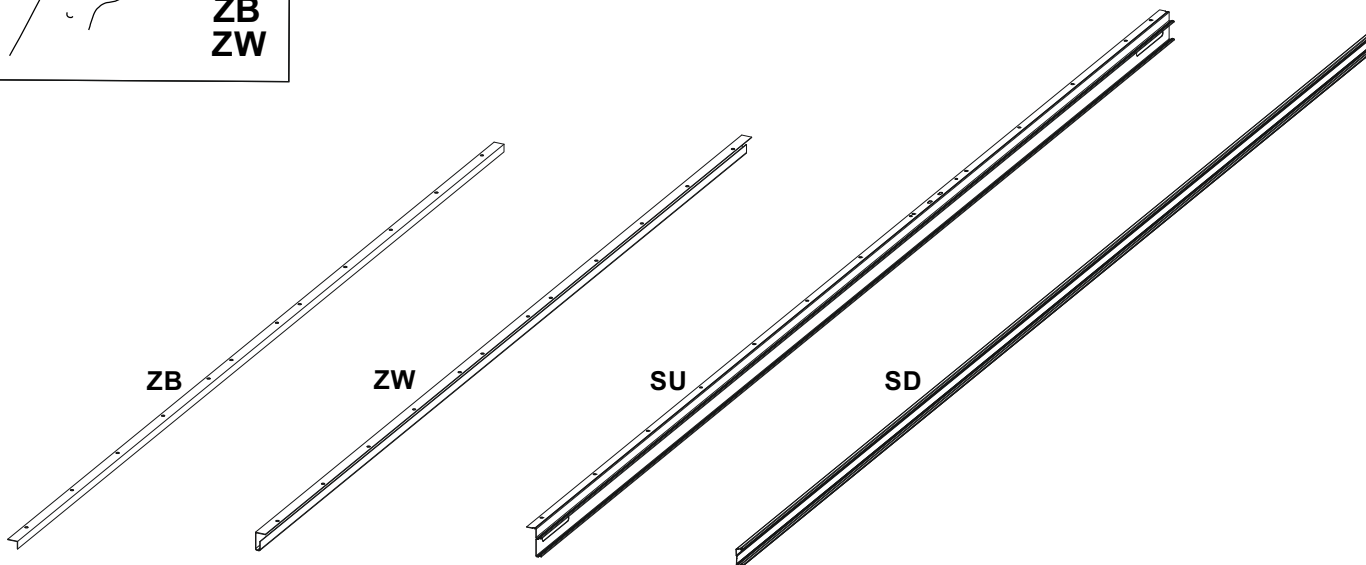
0 10 20 30 40 50 60 70 80 90 100



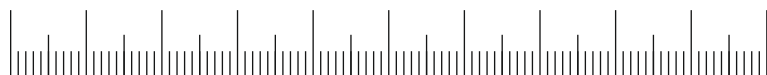
 1x A01	 1x A02	 1x A03	 1x A04	 2x A05	 2x A06	 4x A07
 1x A08	 1x A09	 2x A10	 4x W30			



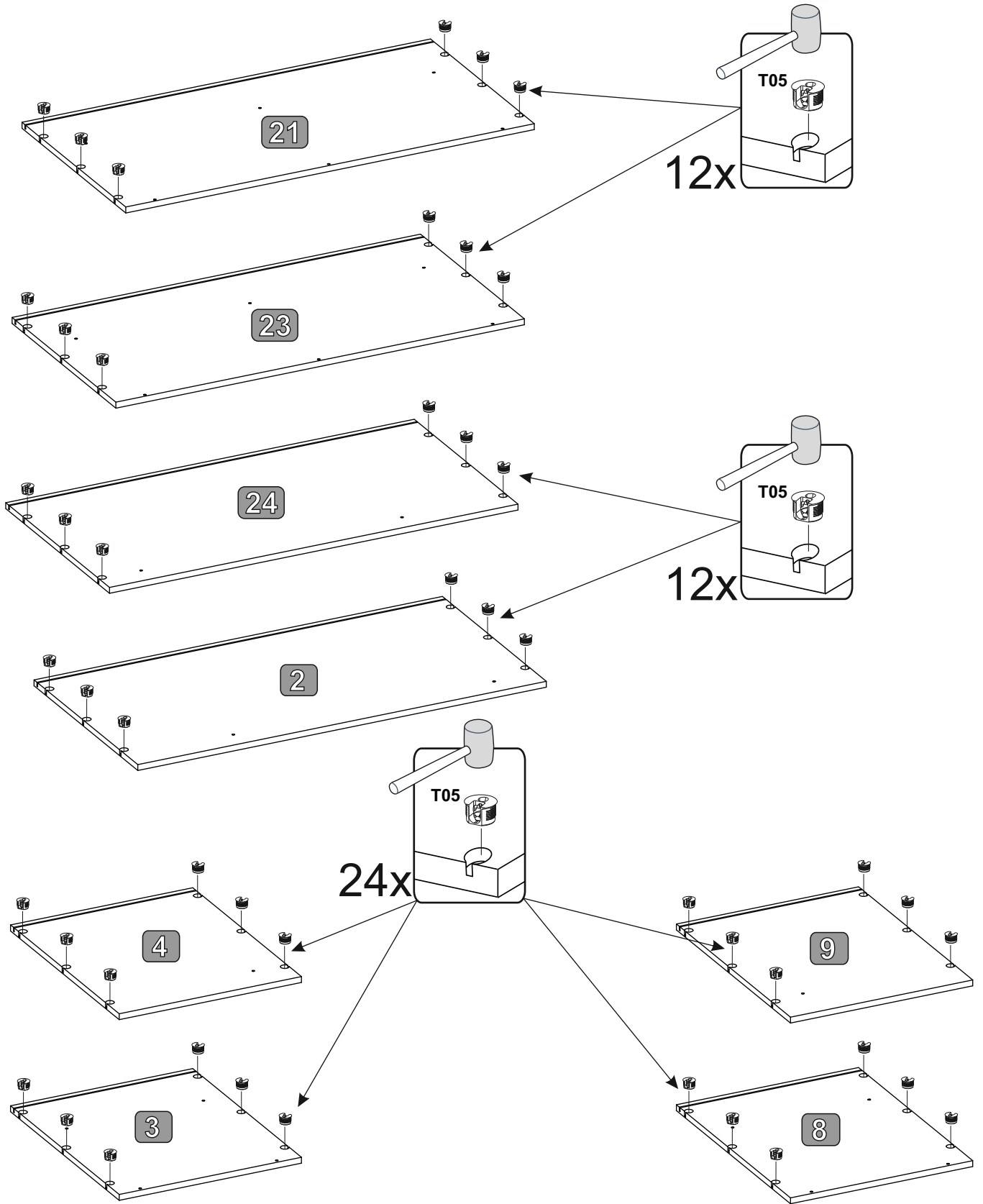
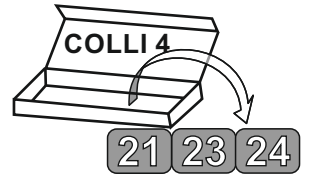
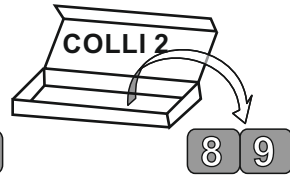
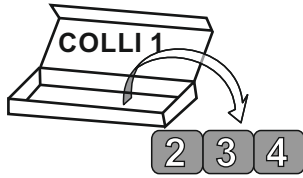
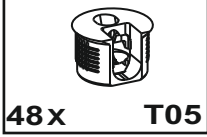
NR	DIM	QTE	COLLI
ZB	L-2200	1	5/8
ZW	L-2200 H-37	3	5/8
SU	L-1668	1	5/8
SD	L-1664	1	5/8



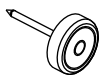




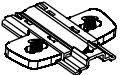
0 10 20 30 40 50 60 70 80 90 100

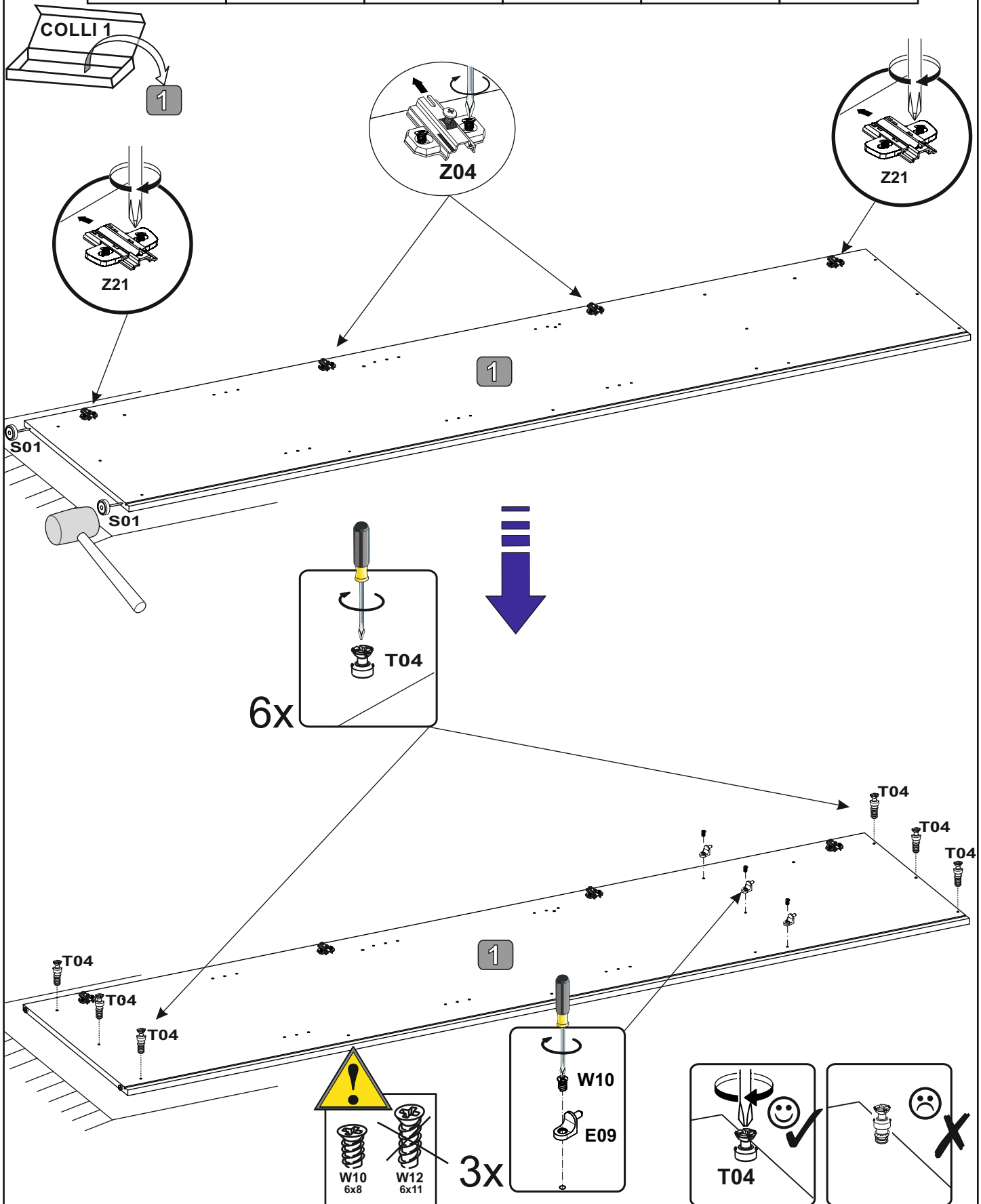


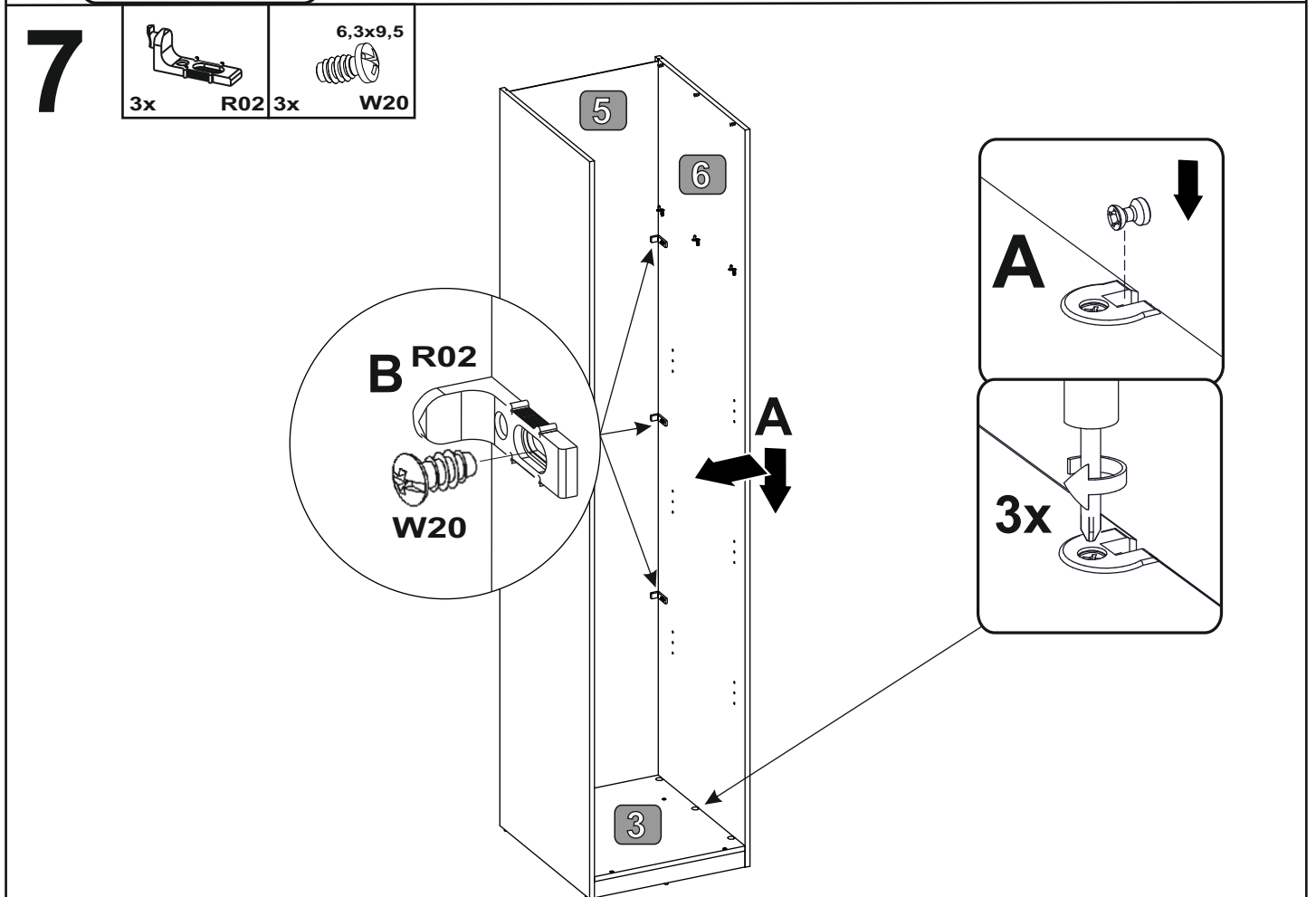
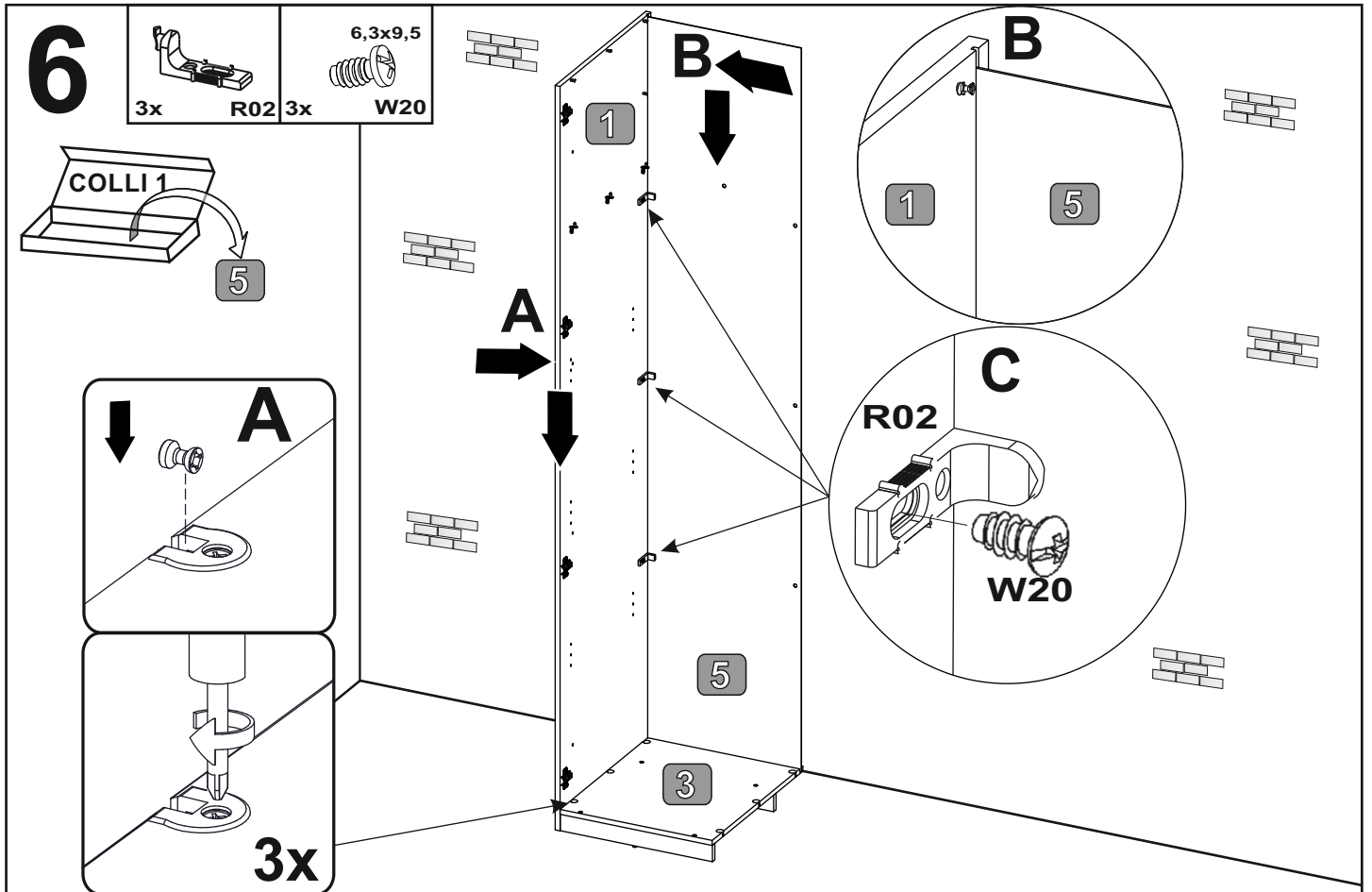
1



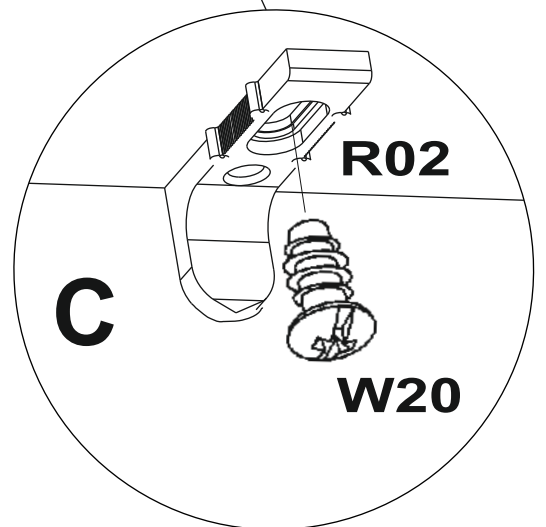
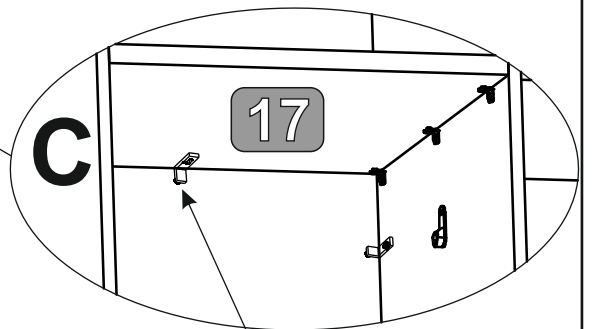
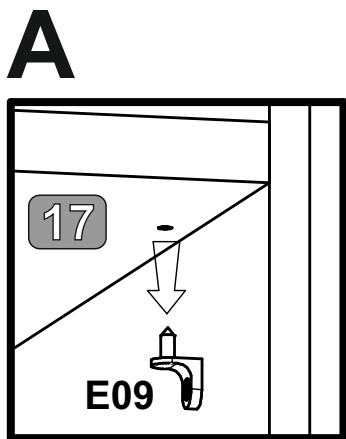
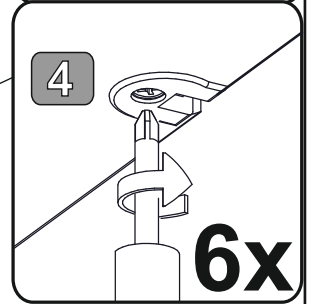
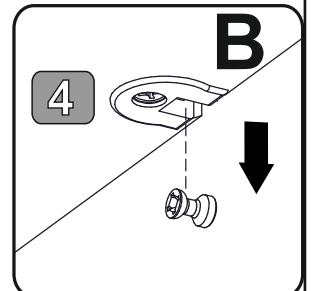
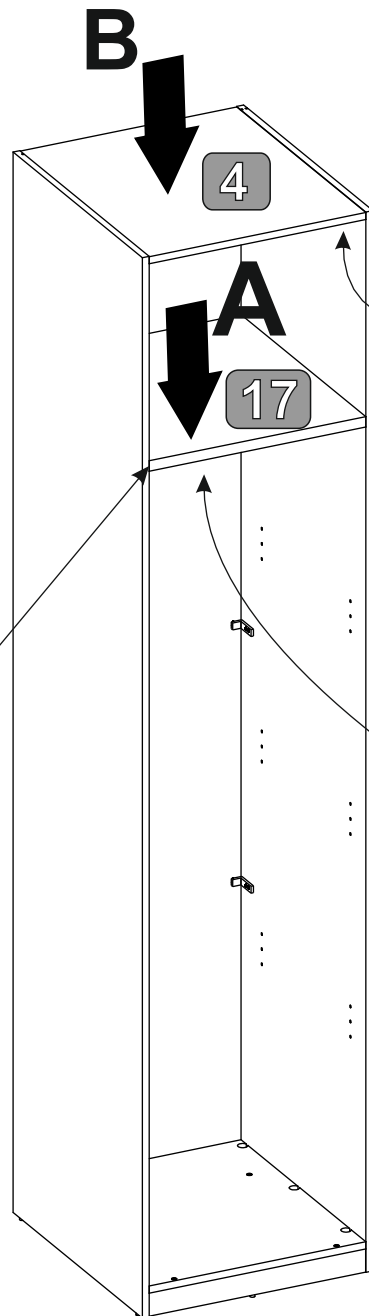
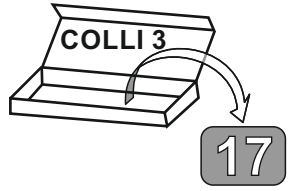
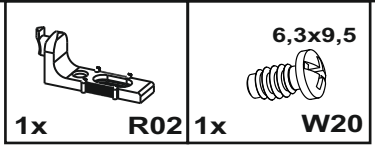
4

											
2x	S01	6x	T04	3 x	E09	3x	W10	2x	Z04	2x	Z21



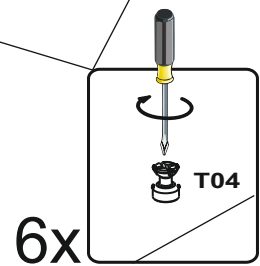
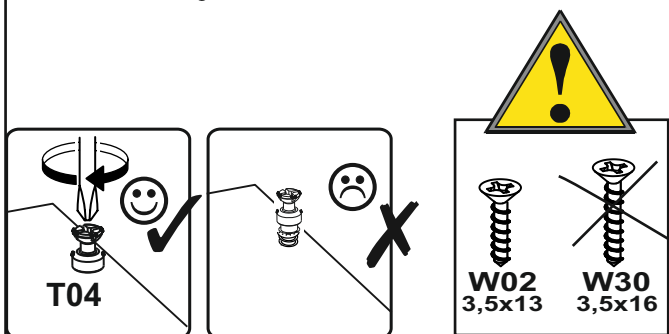
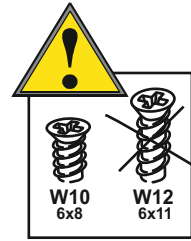
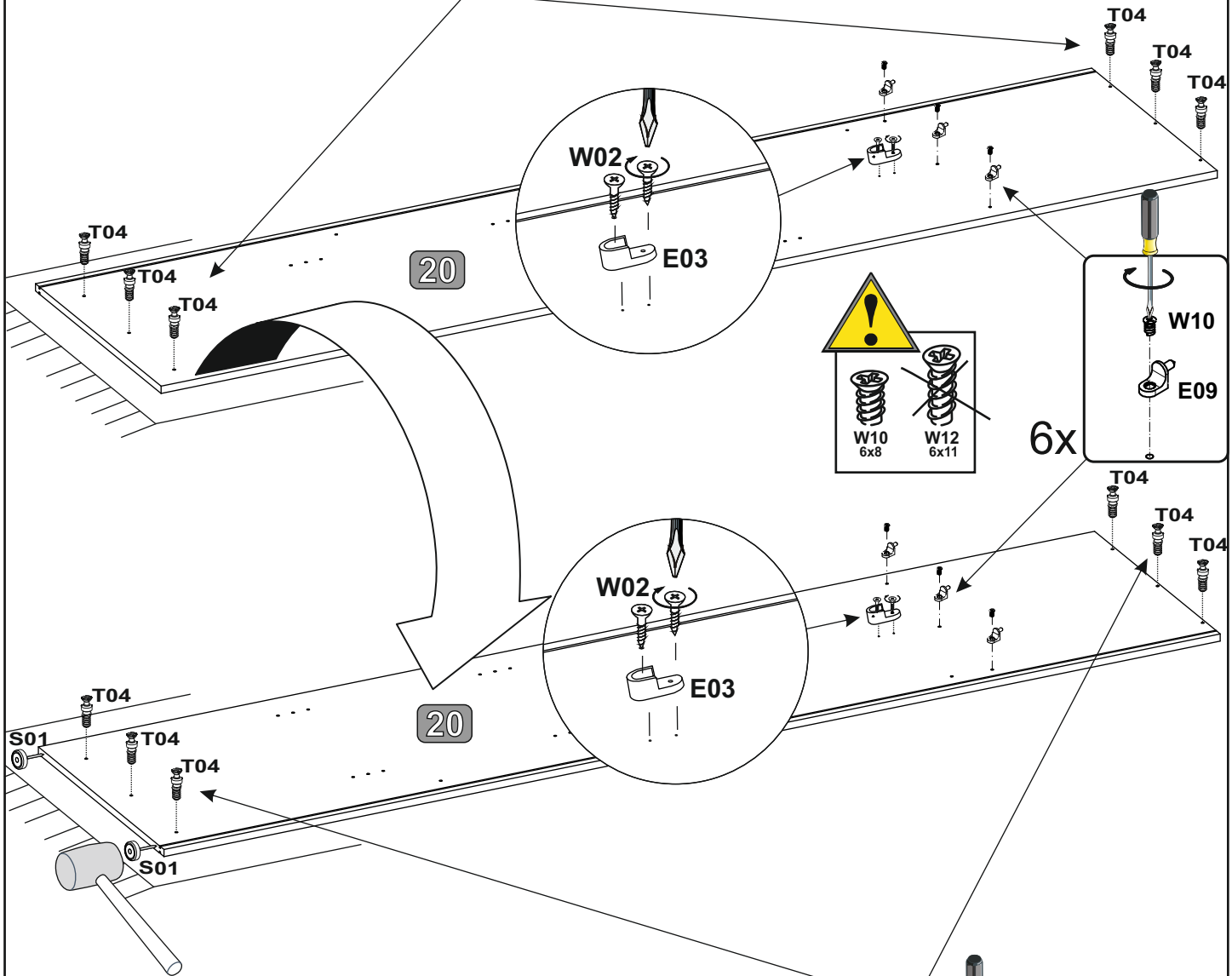
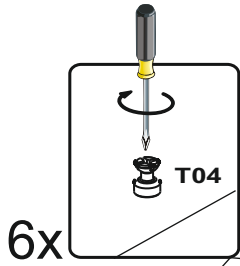
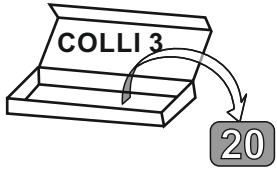


8









9

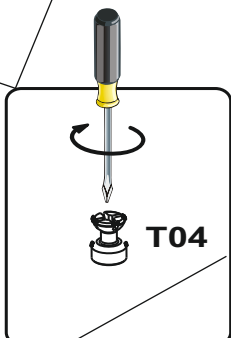
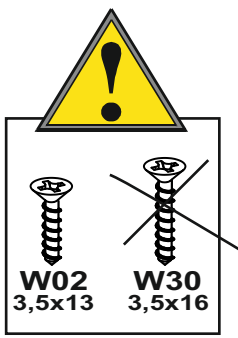
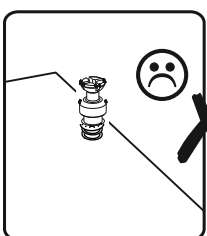
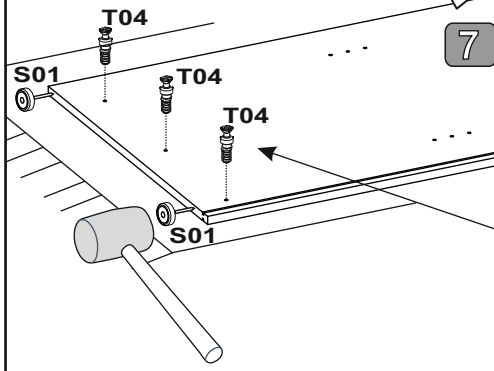
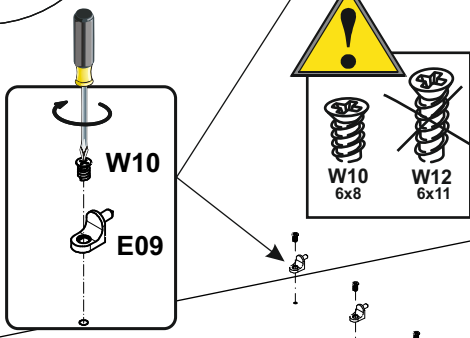
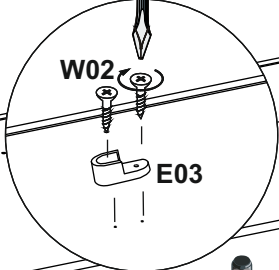
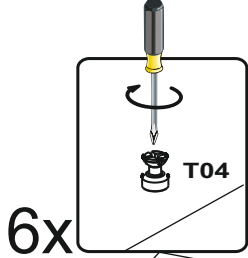
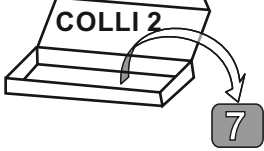
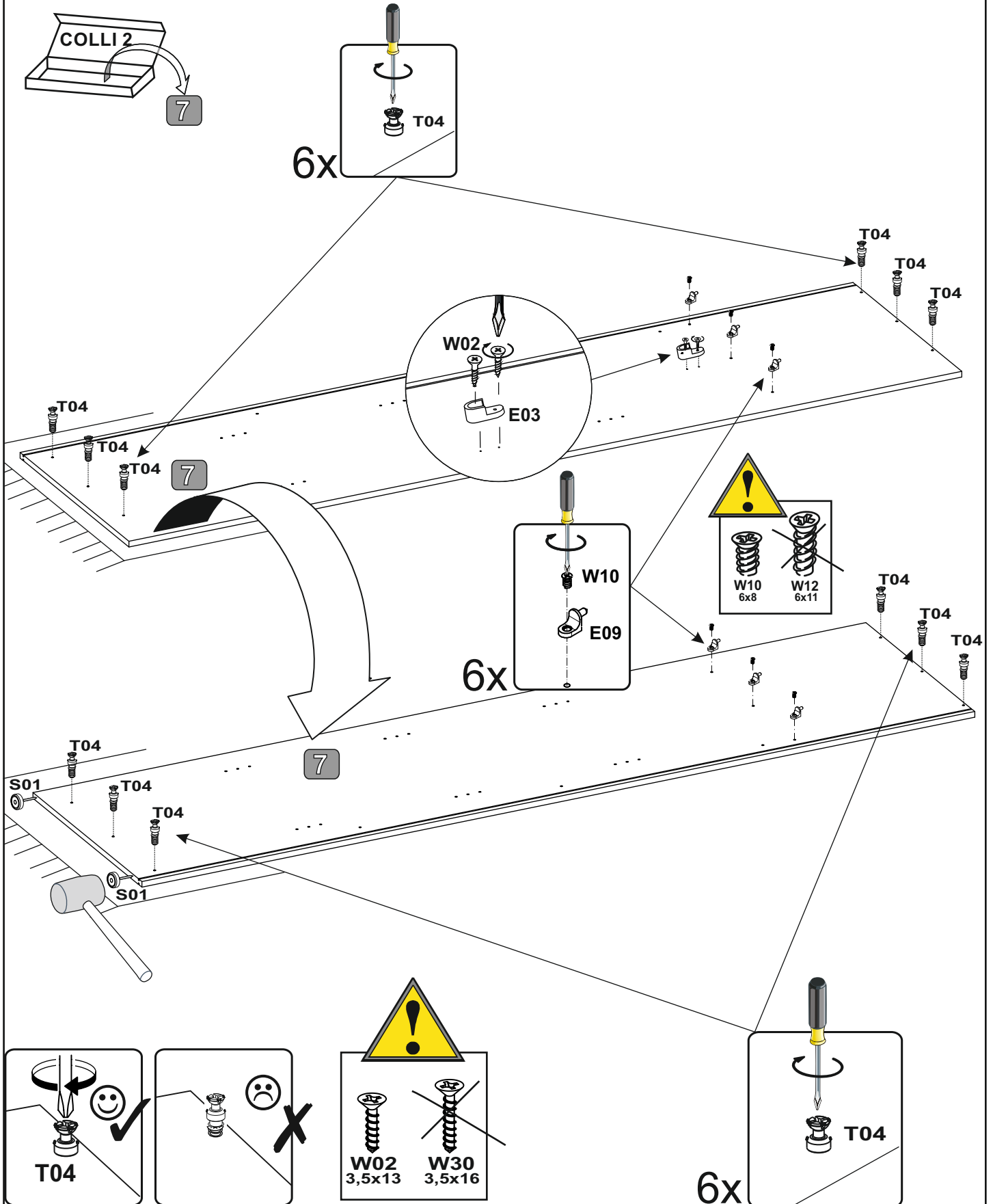
2x	S01	12x	T04	2x	E03	4x	W02	6x	E09	6x	W10
----	-----	-----	-----	----	-----	----	-----	----	-----	----	-----



6x

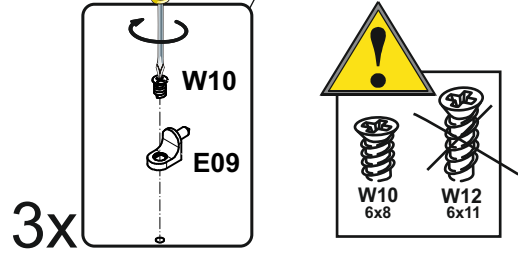
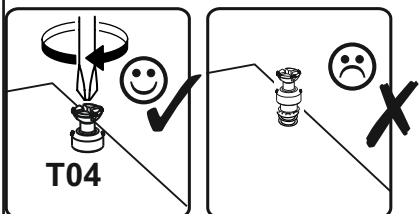
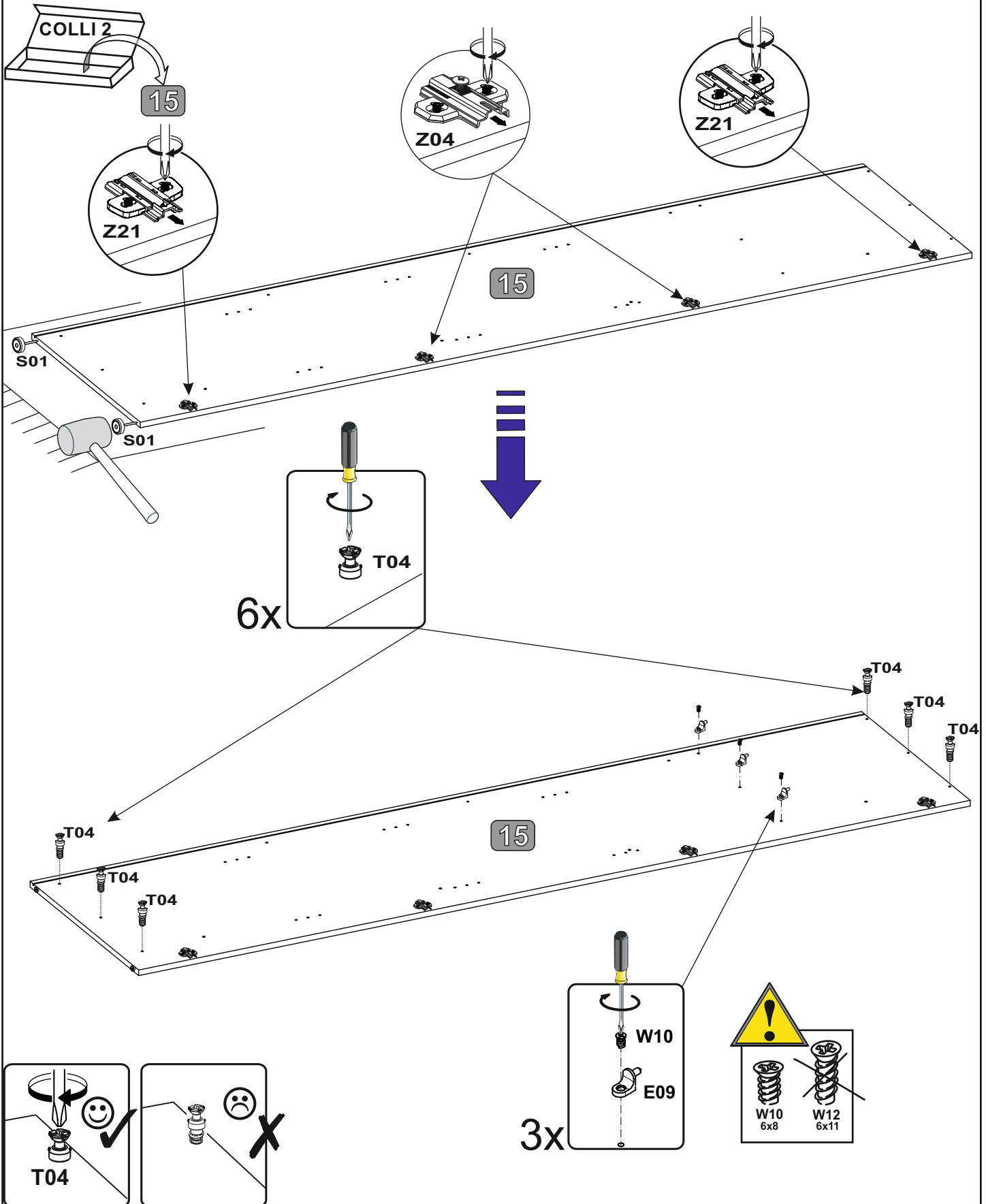
10

2x		S01	12x		T04	1x		E03	2x		W02	6x		E09	6x		W10
----	---	-----	-----	---	-----	----	---	-----	----	--	-----	----	---	-----	----	---	-----

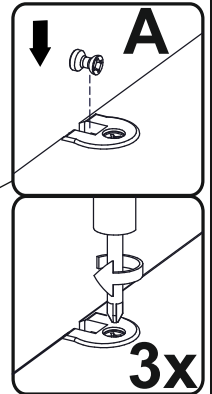
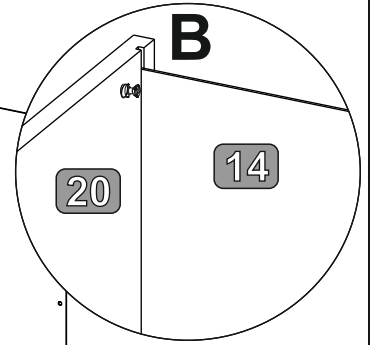
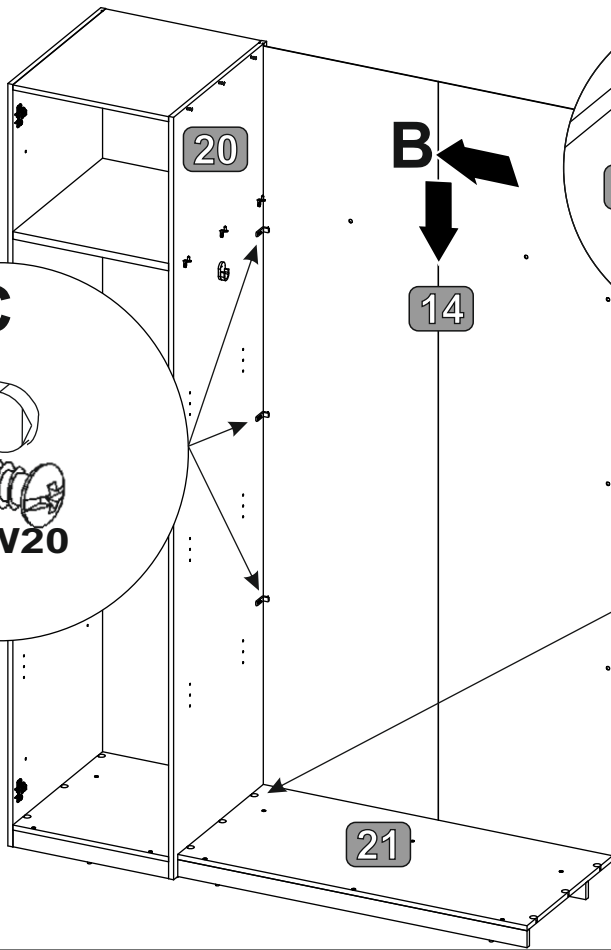
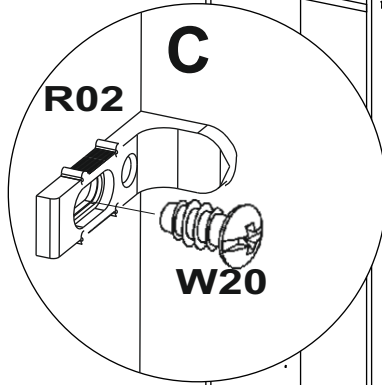
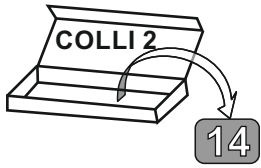
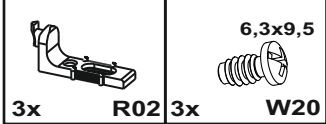


11

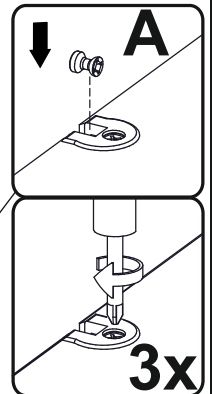
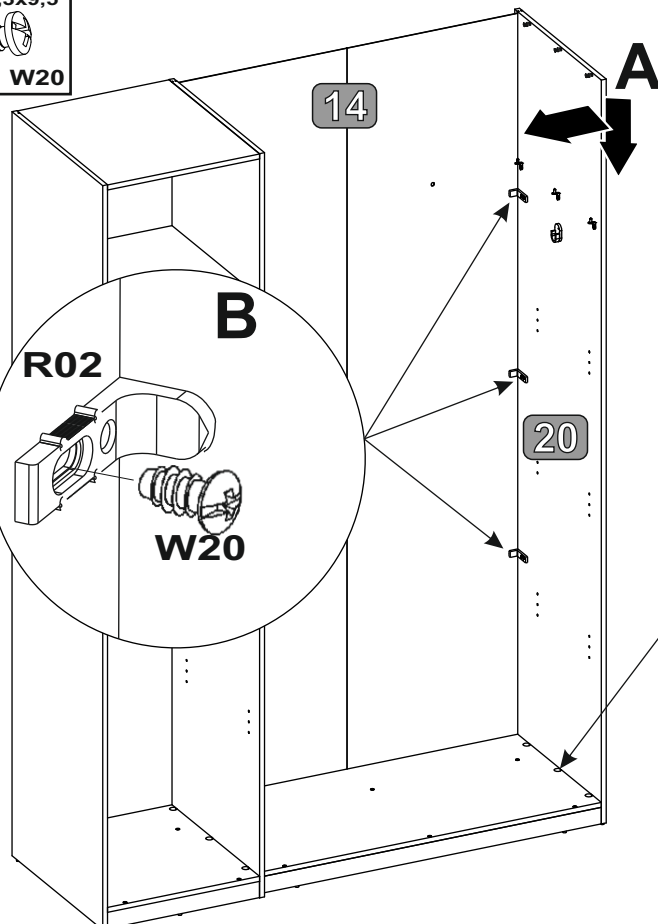
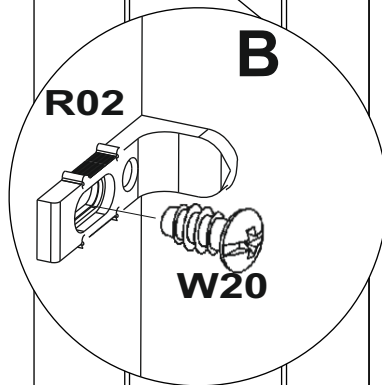
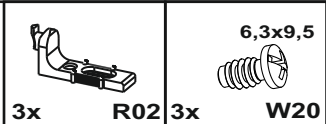
					
2x S01	6x T04	3 x E09	3x W10	2x Z04	2x Z21



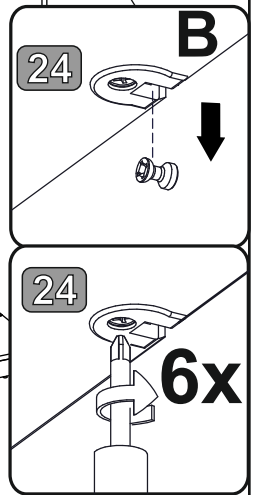
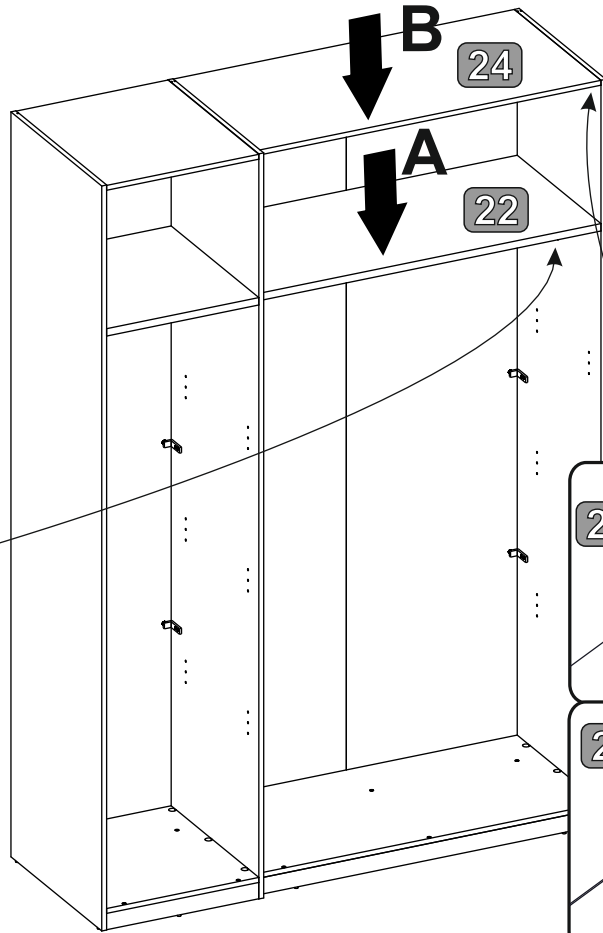
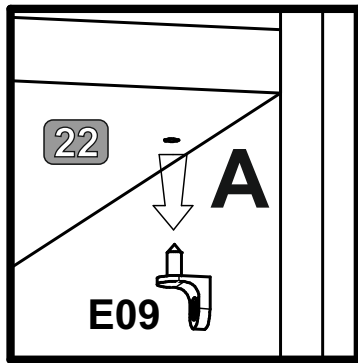
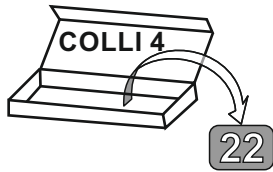
12



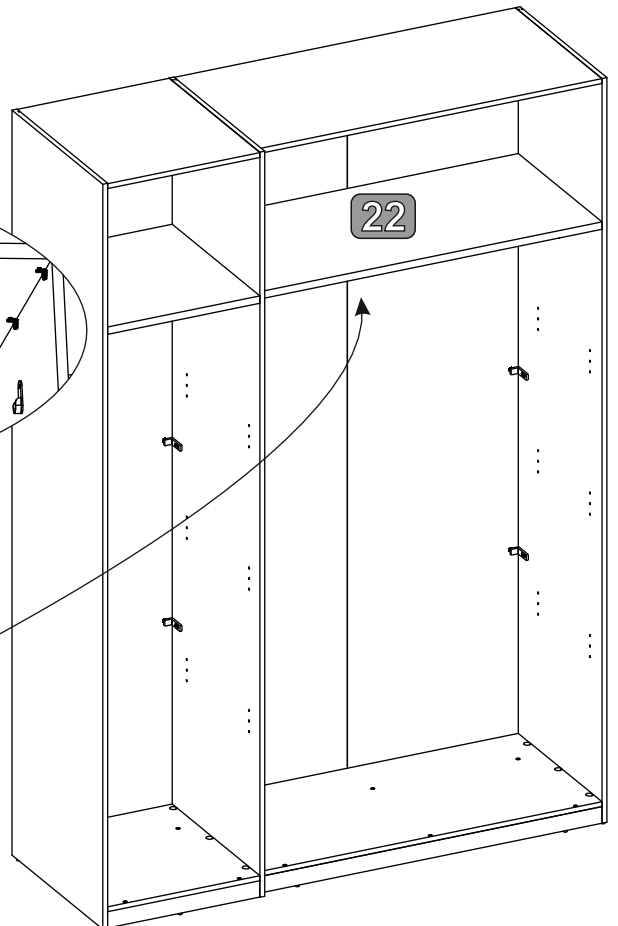
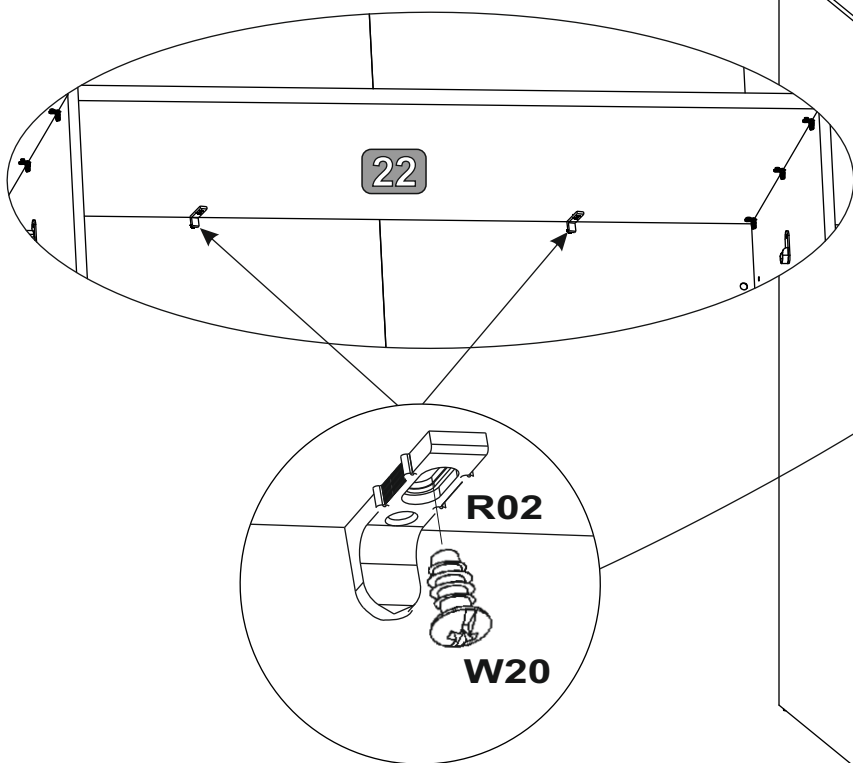
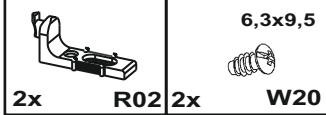
13



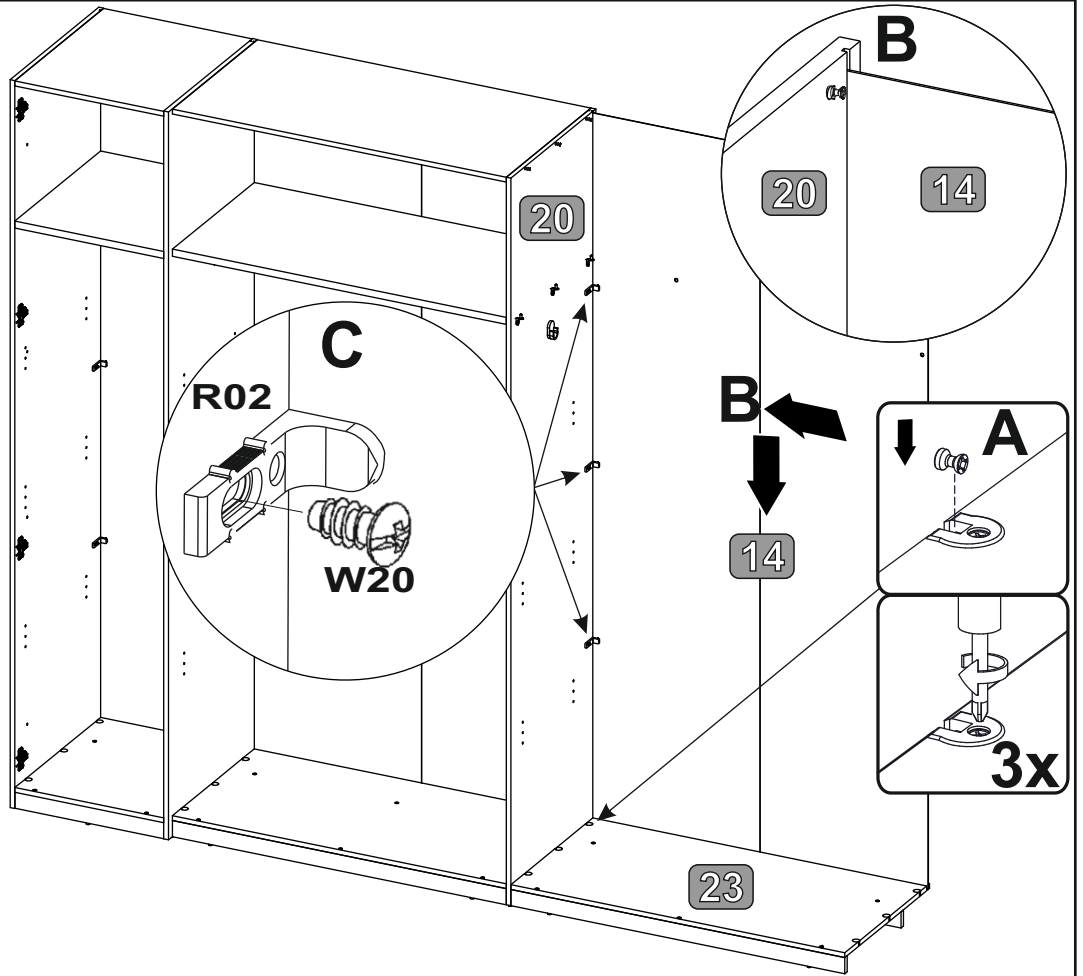
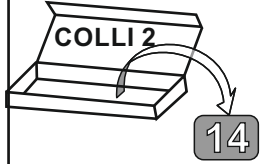
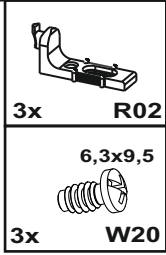
14



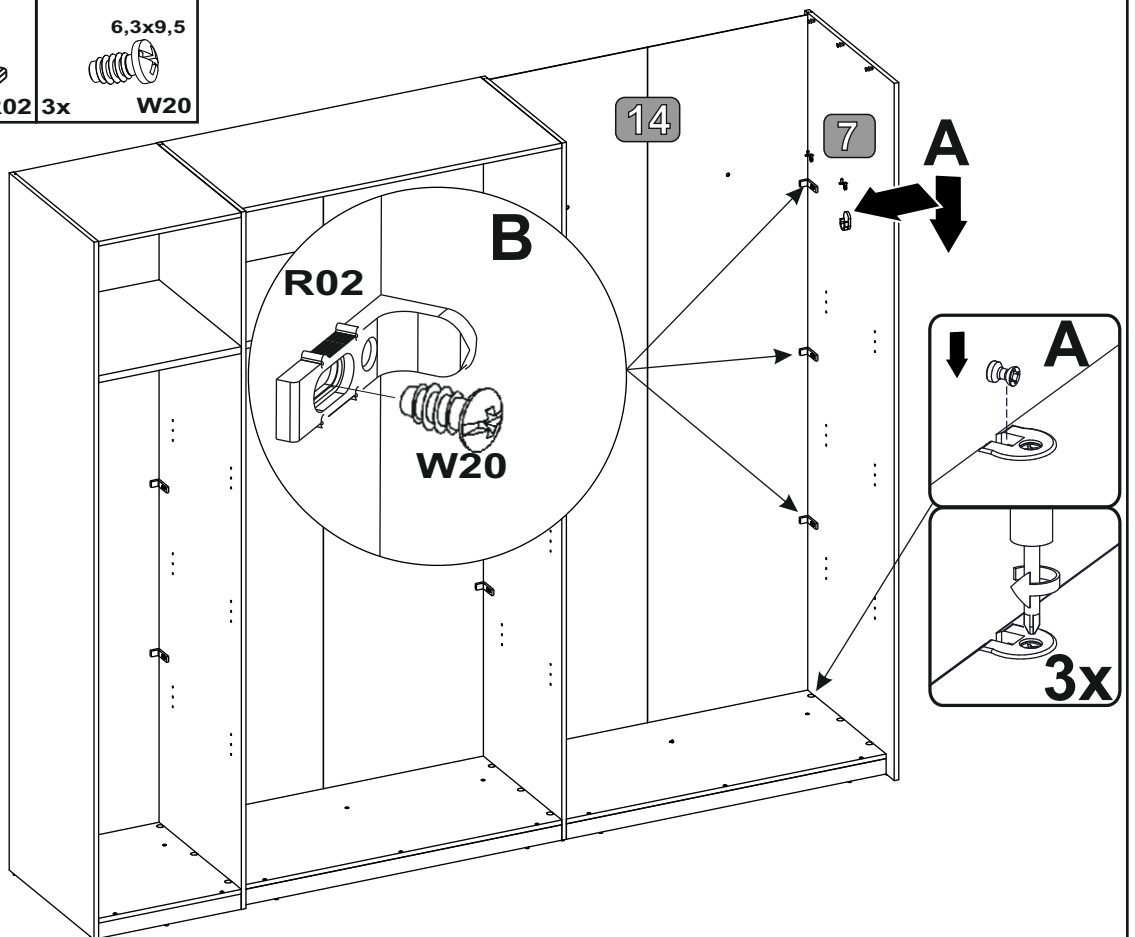
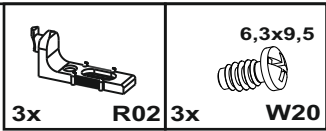
15



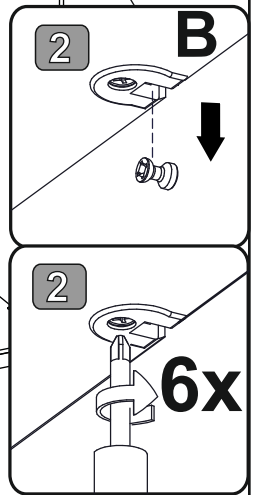
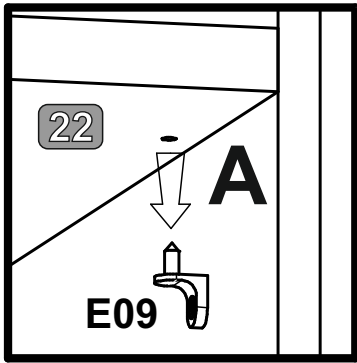
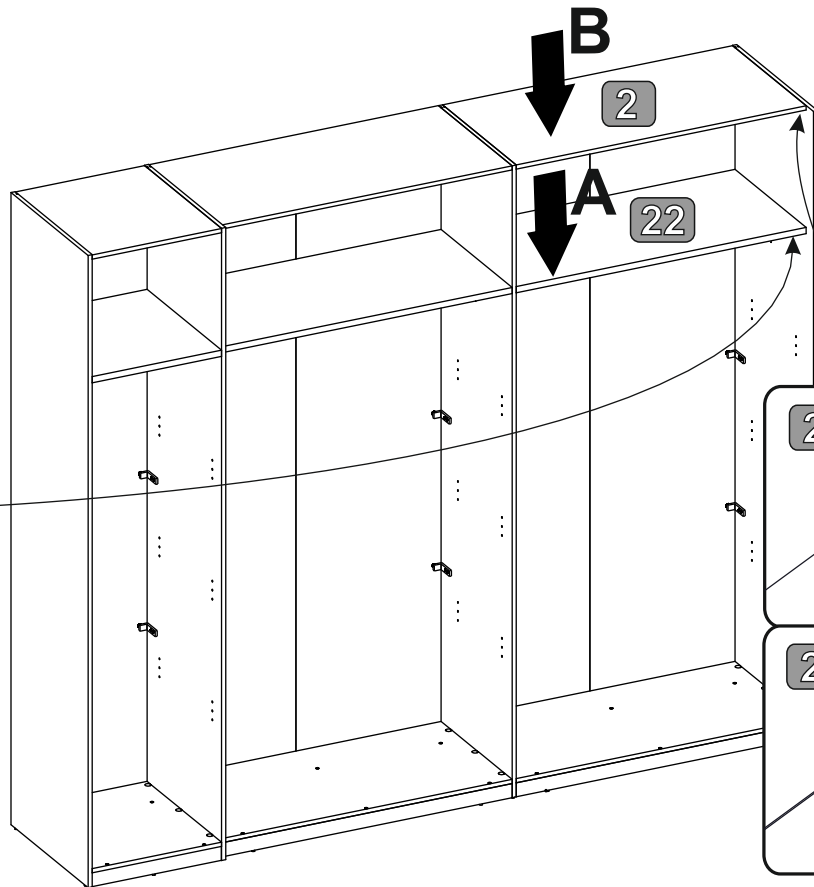
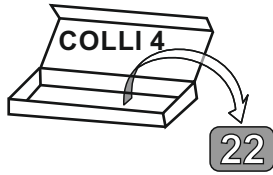
16



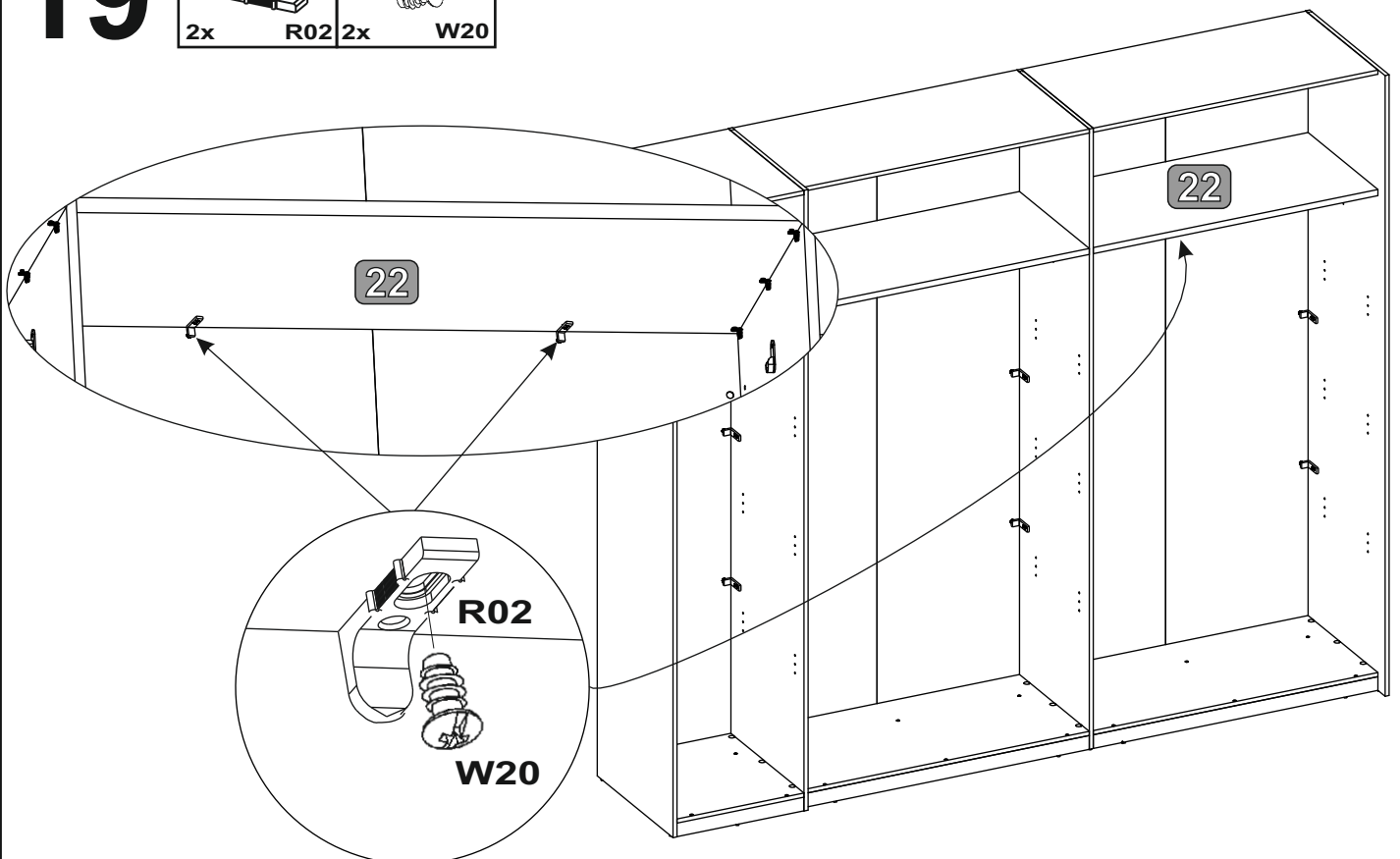
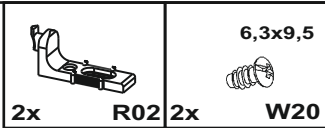
17



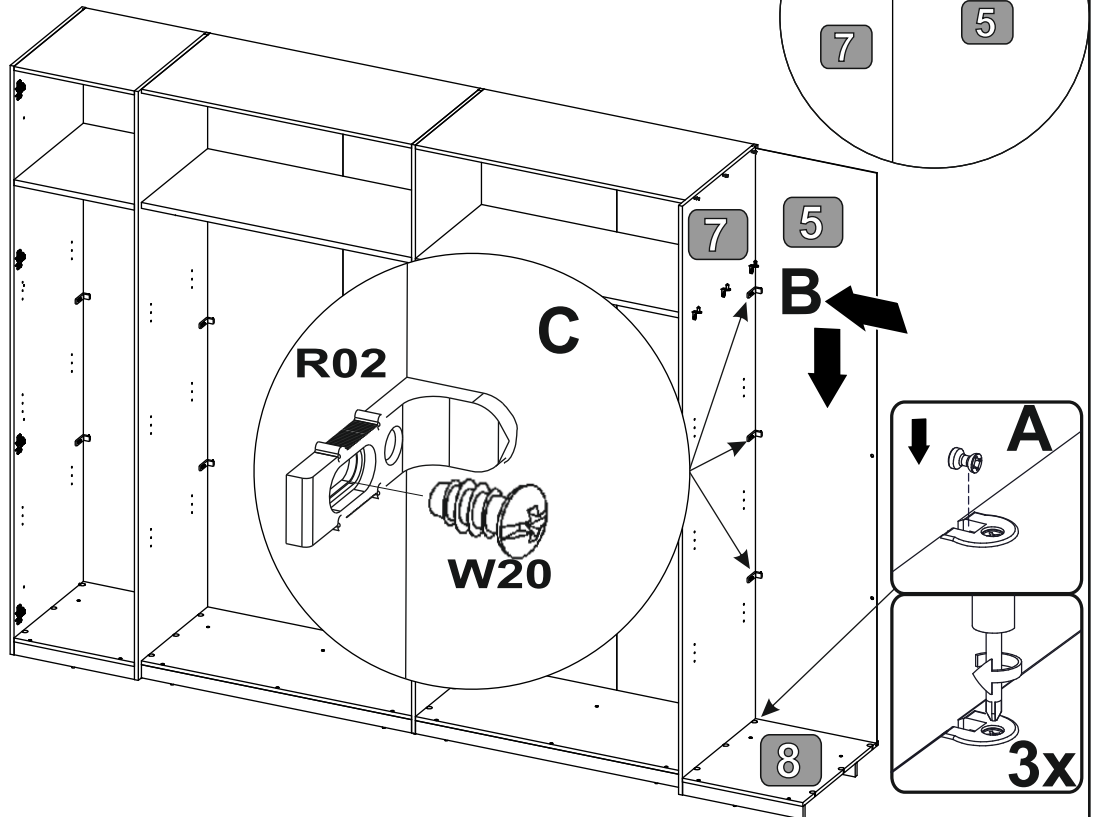
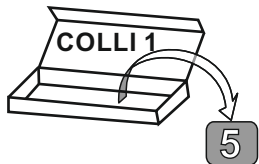
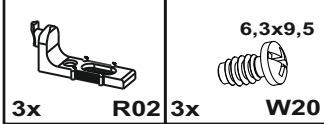
18



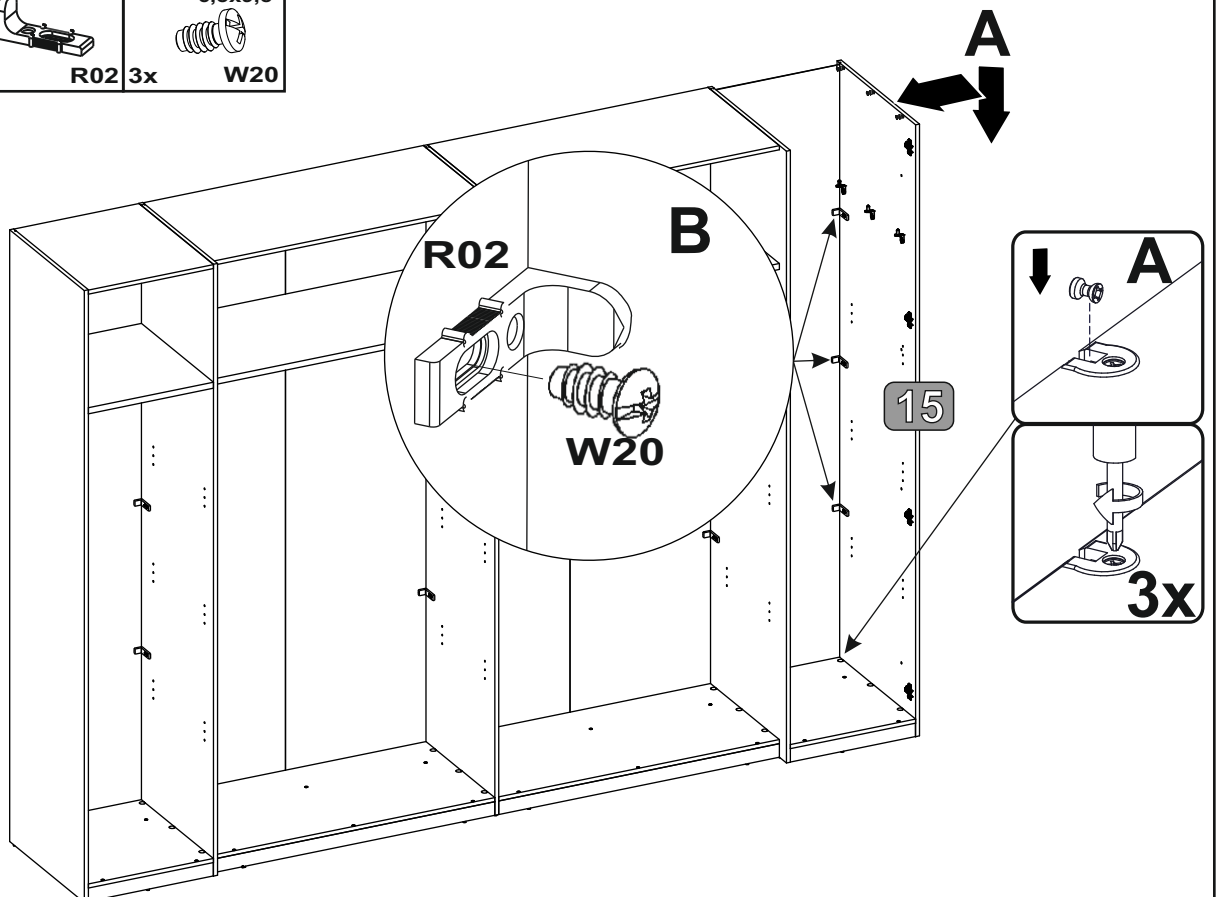
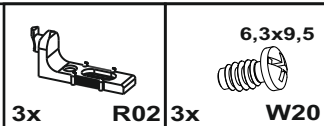
19



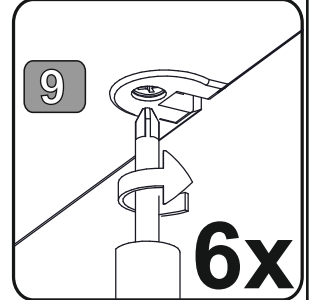
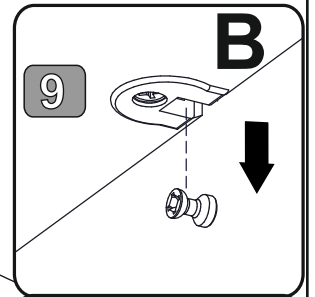
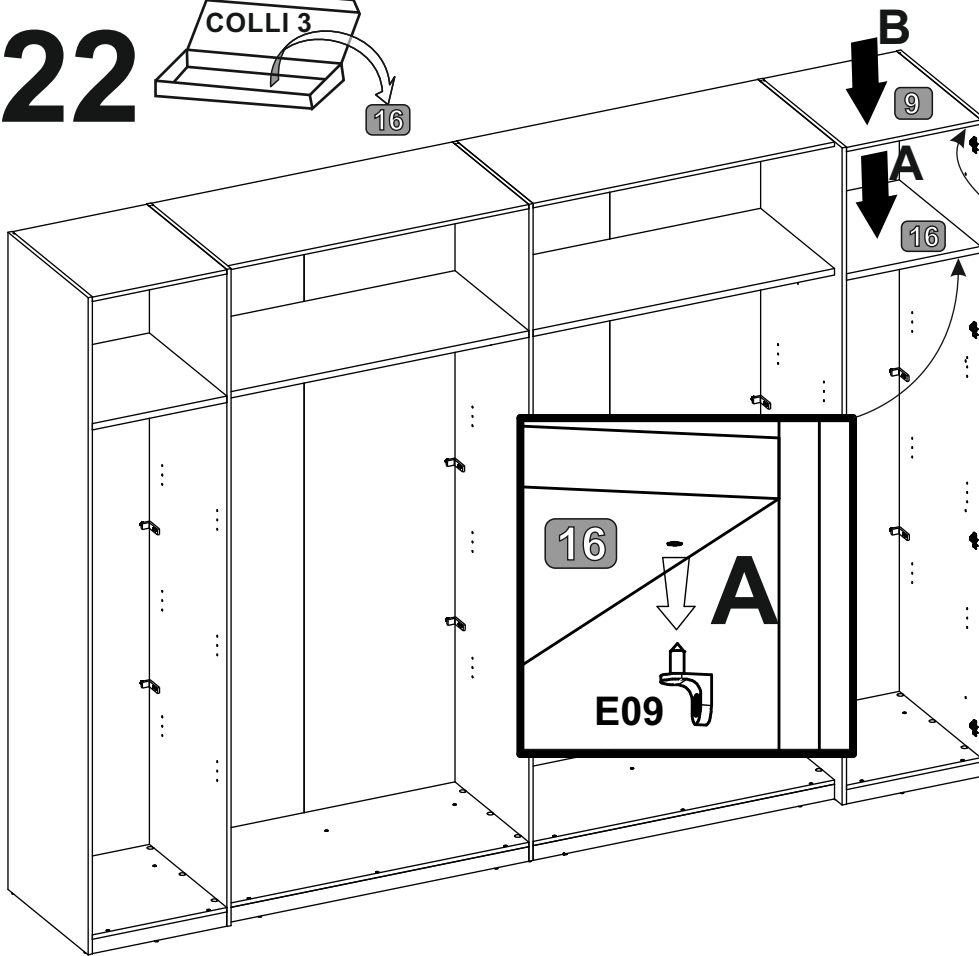
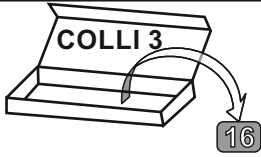
20



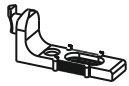
21



22



23

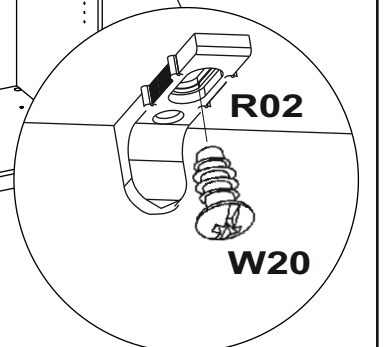
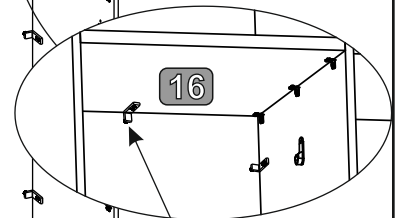
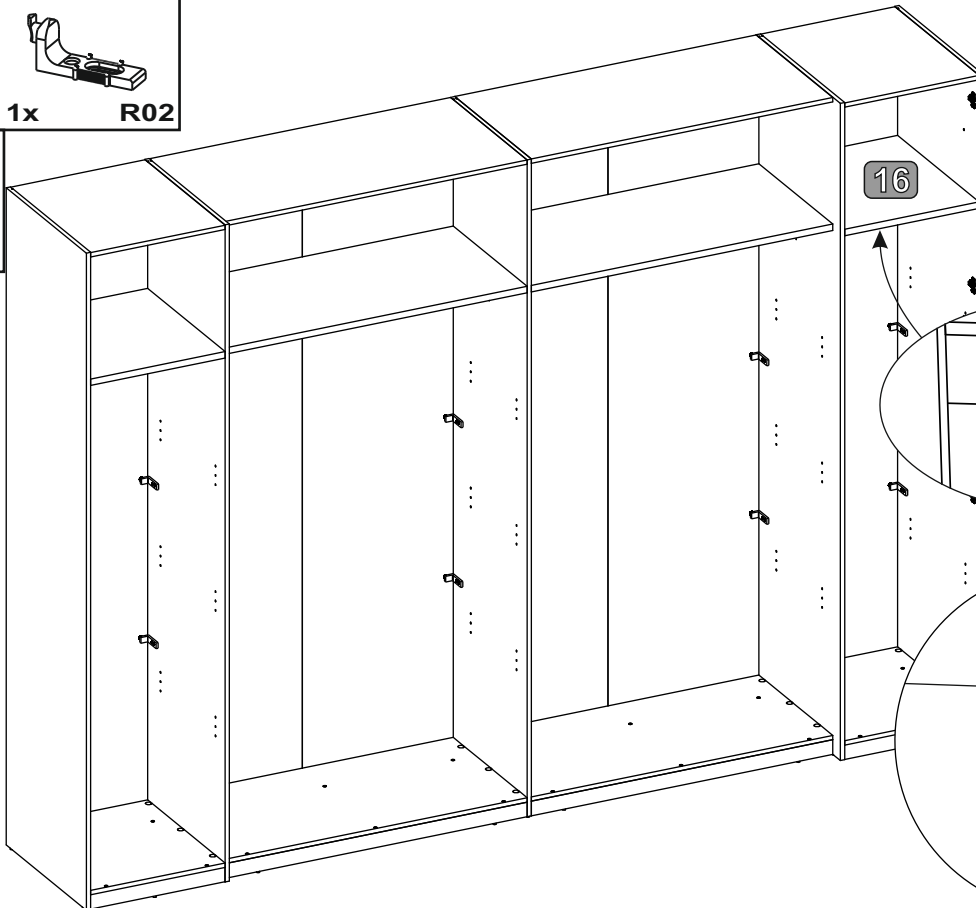


1x R02

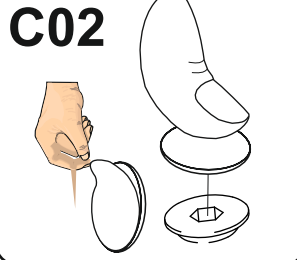
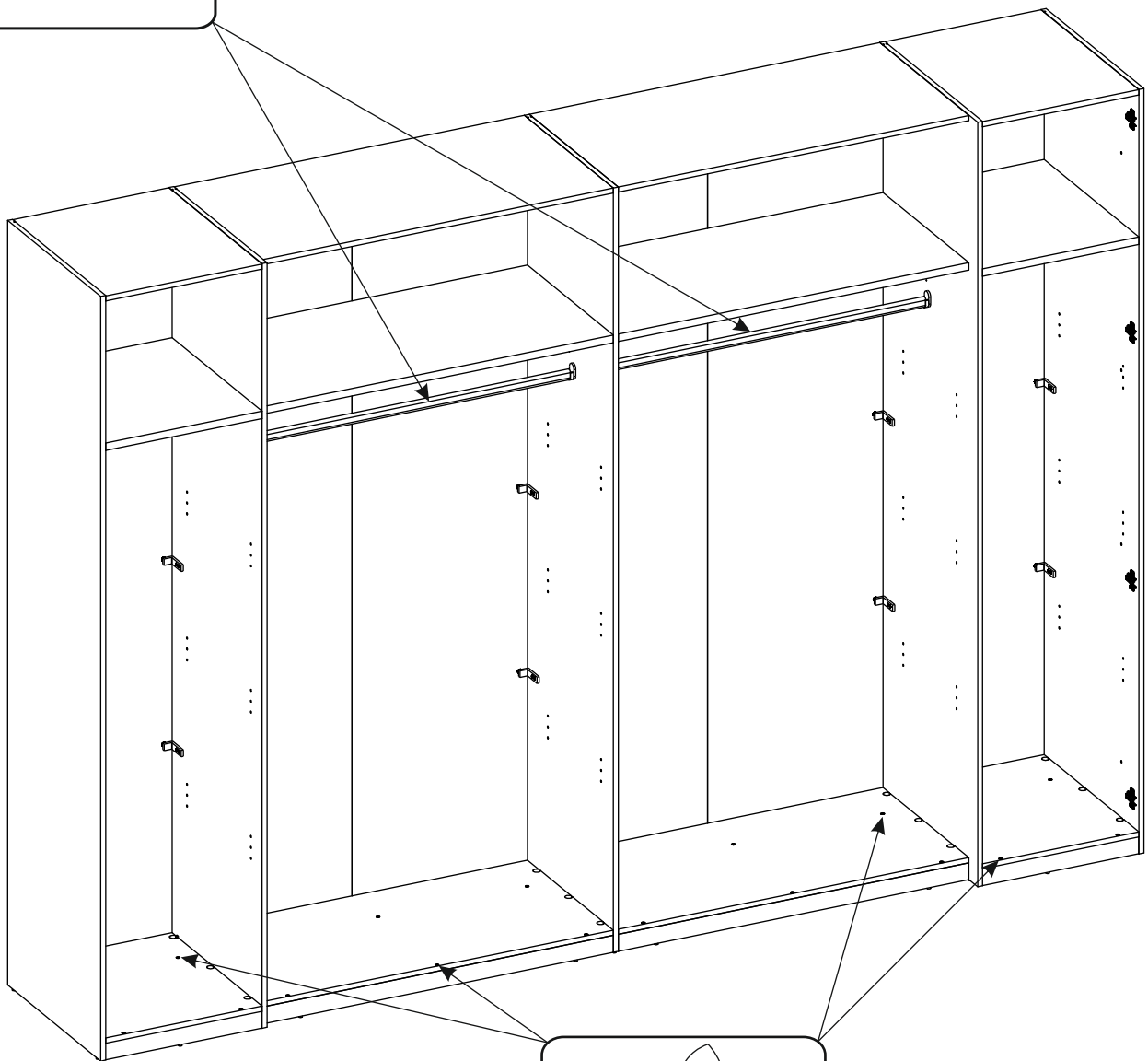
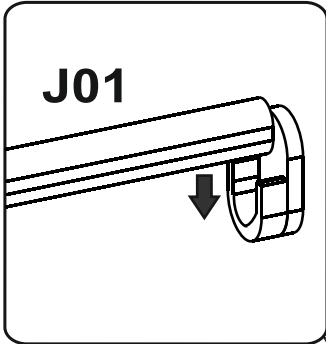
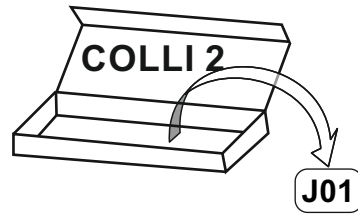
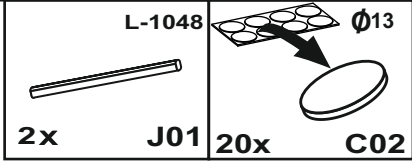
6,3x9,5




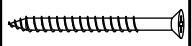



1x W20

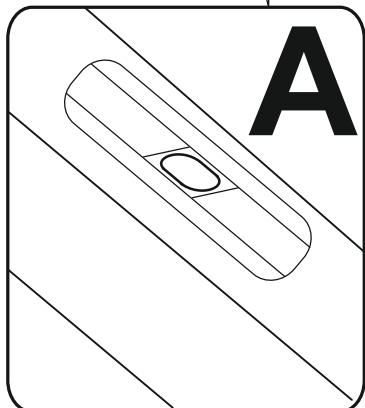
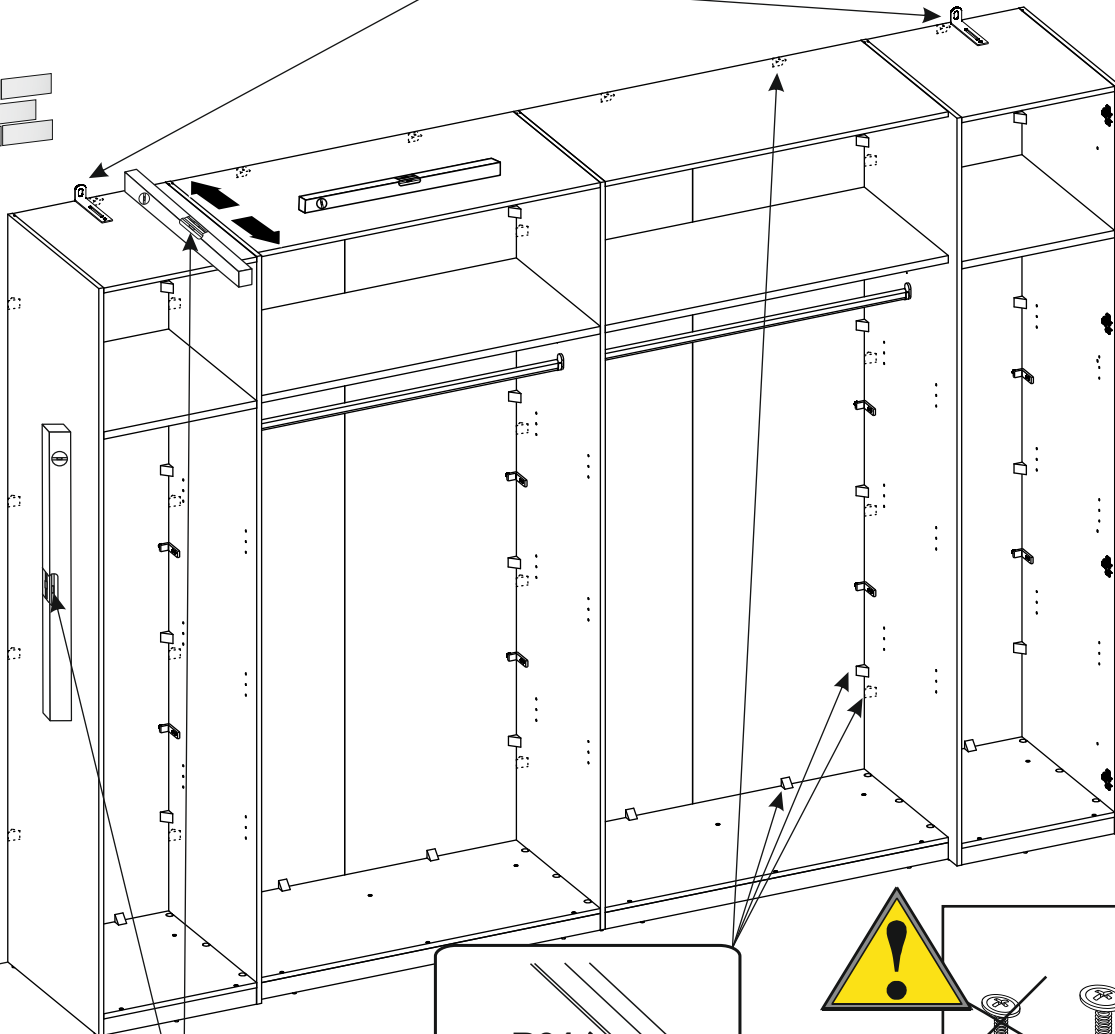
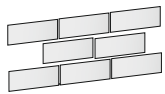
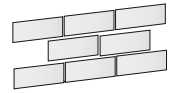
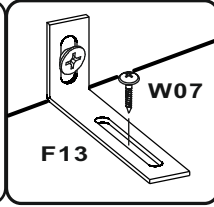
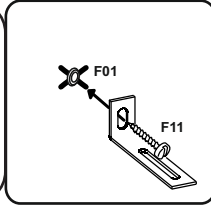
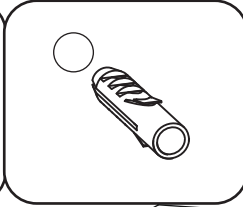
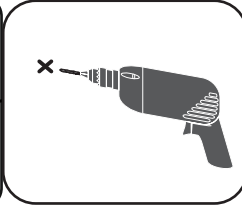
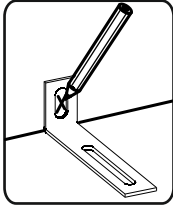


24

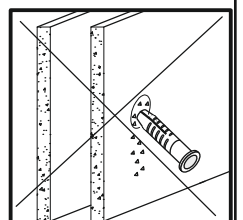
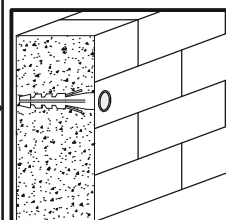
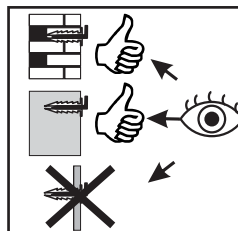
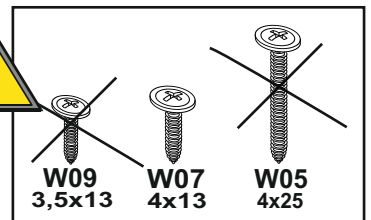
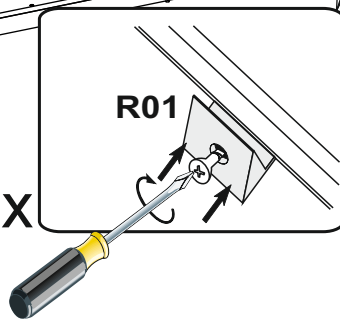


25

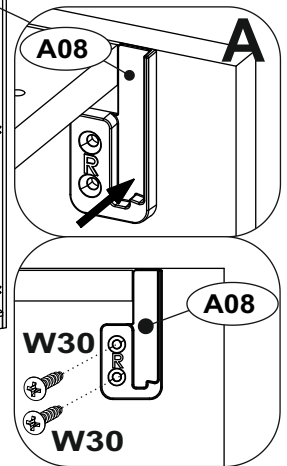
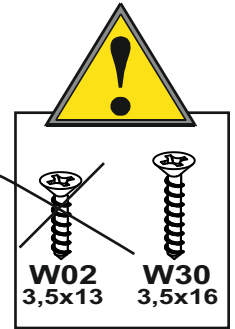
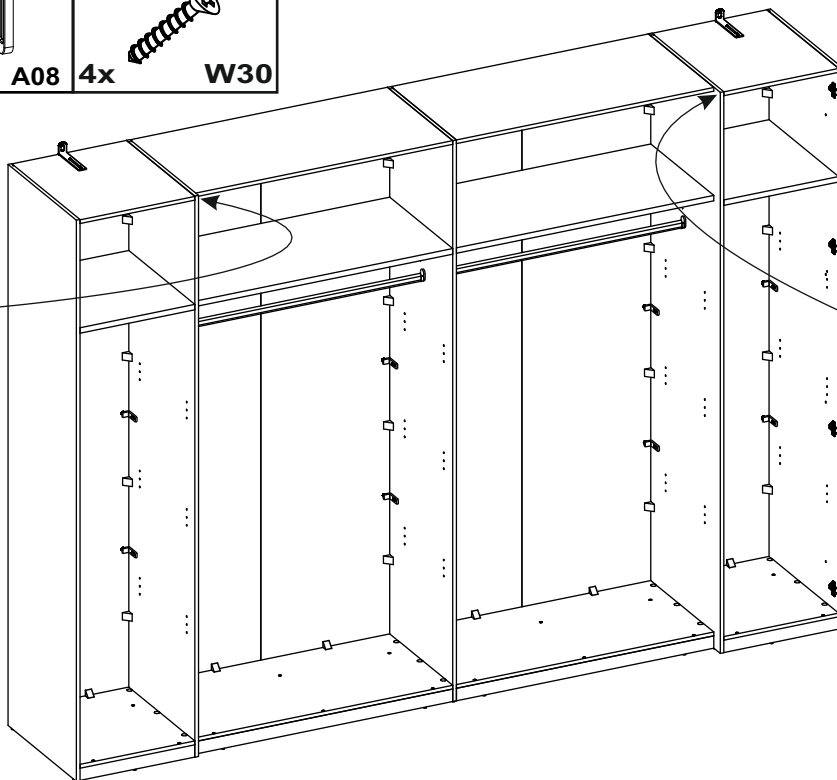
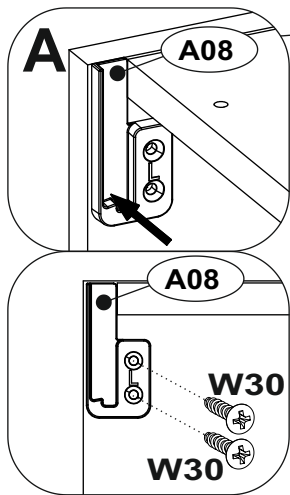
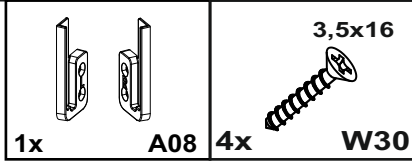
- | | | | | |
|---|---|---|--|--|
| 
2x F01 | 
2x F11 | 
2x F13 | 
4x13 2x W07 | 
44x R01 |
|---|---|---|--|--|



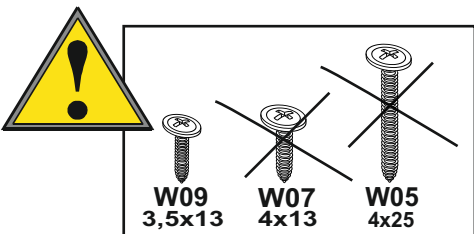
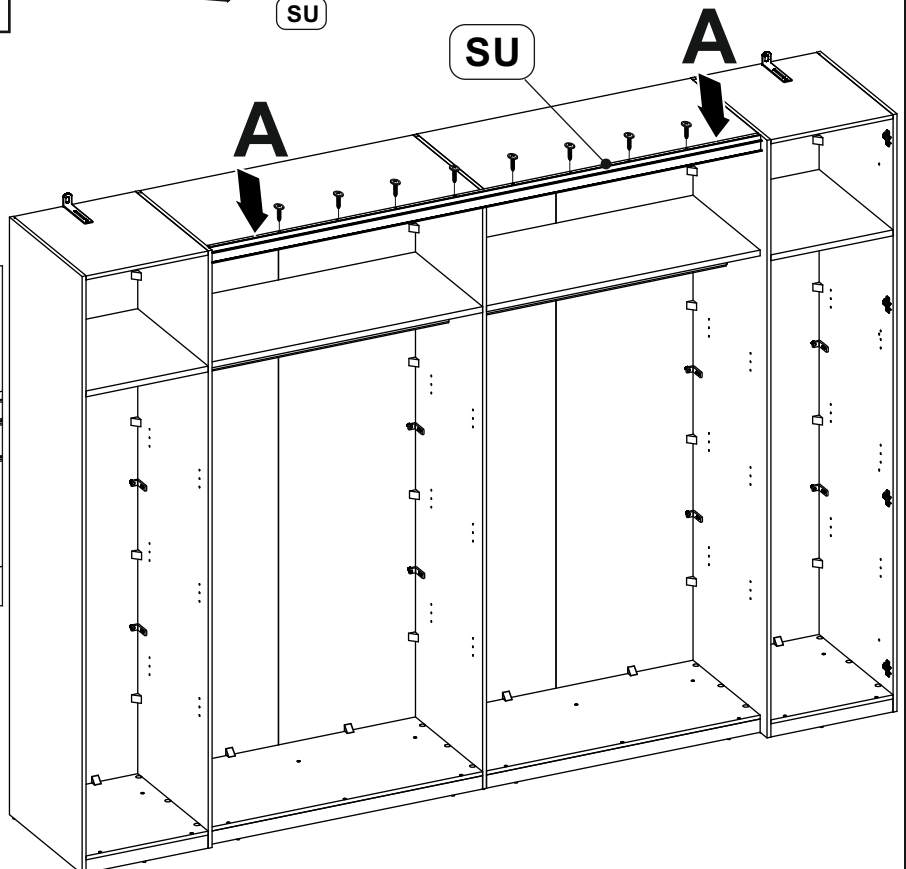
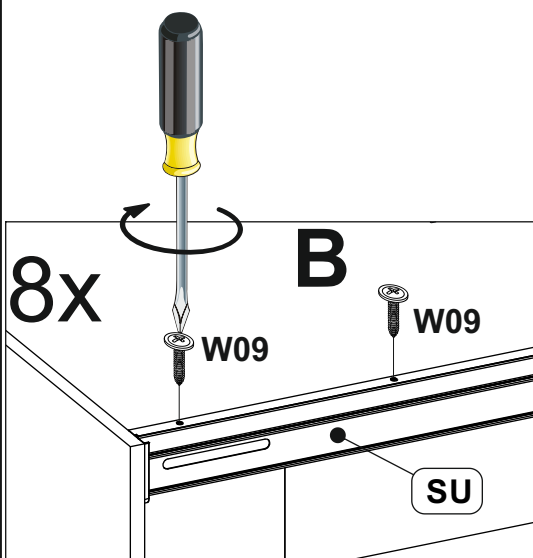
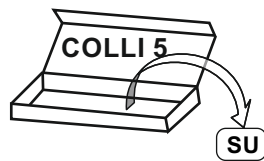
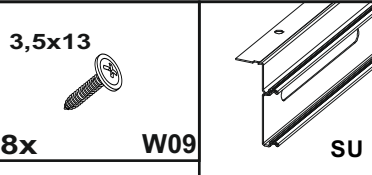
44x



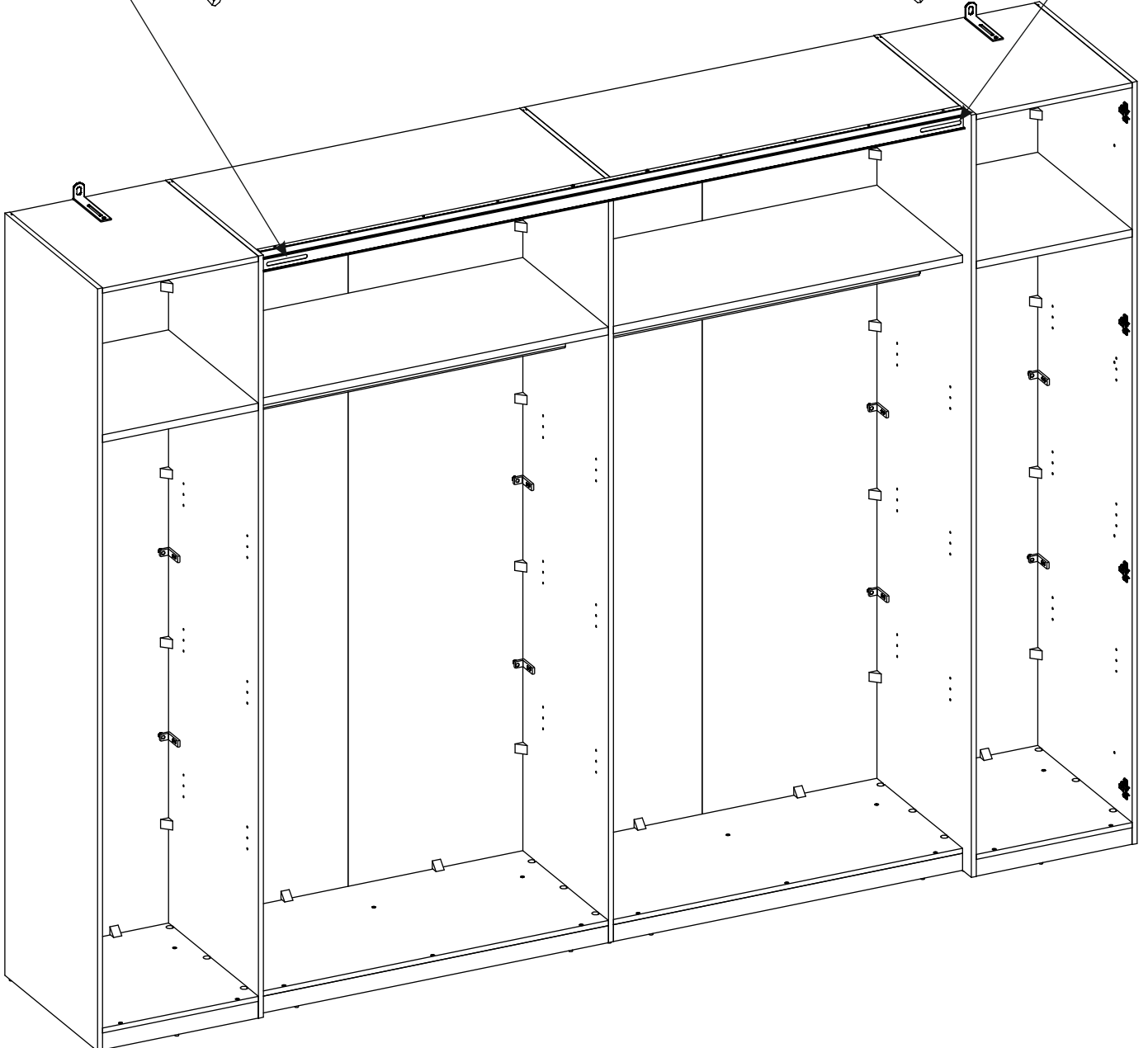
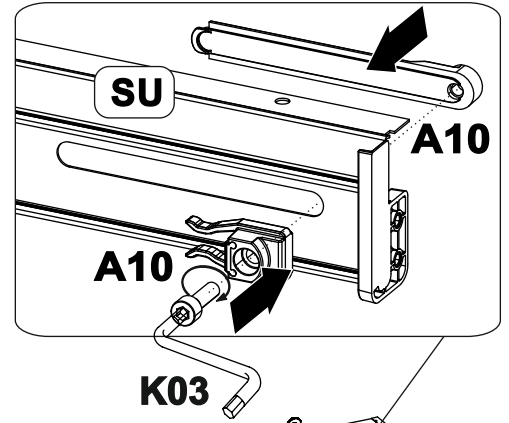
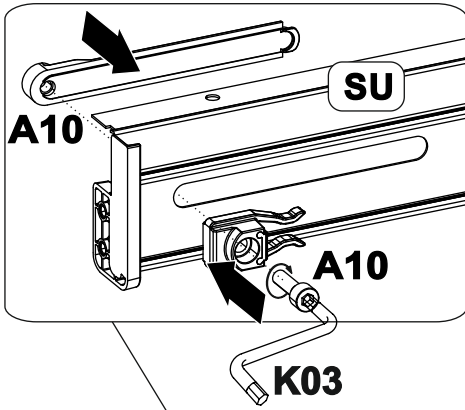
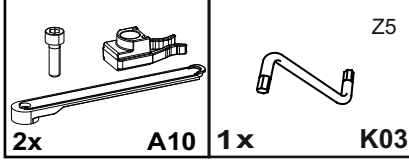
26



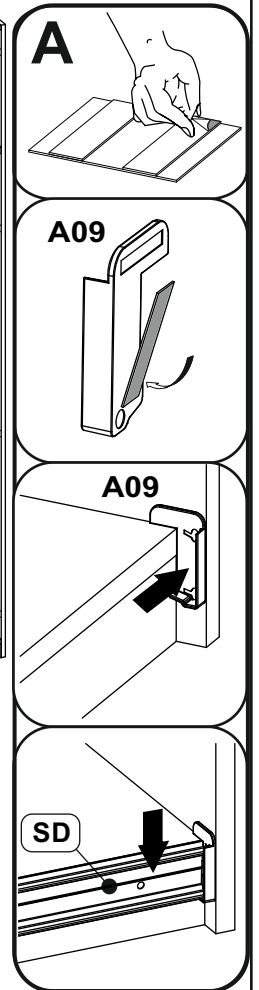
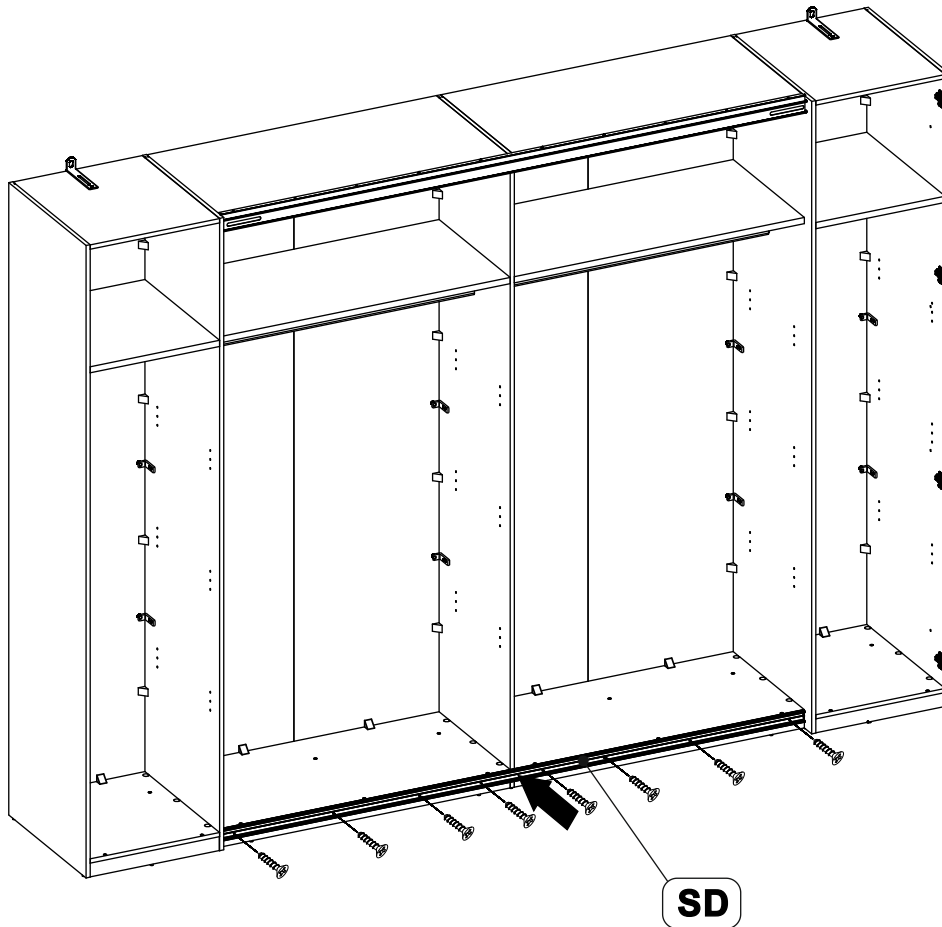
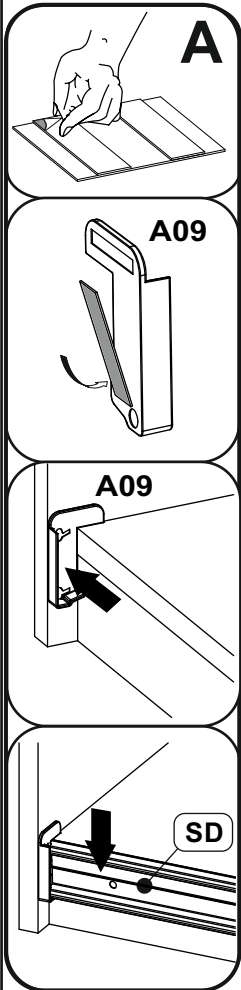
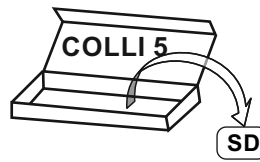
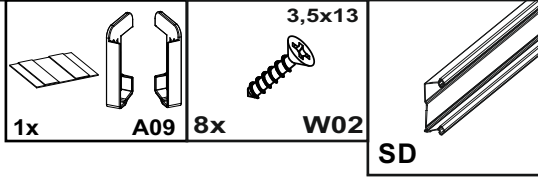
27



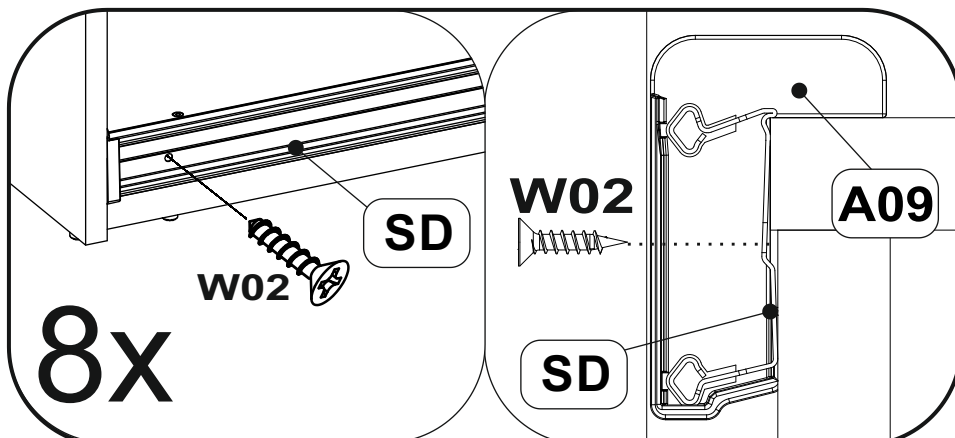
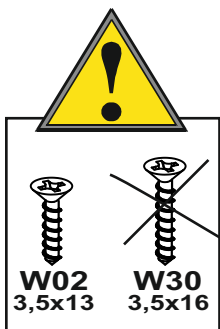
28



29

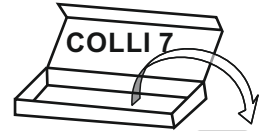


B

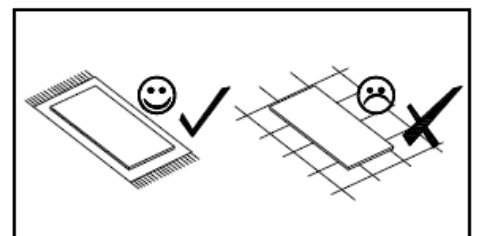
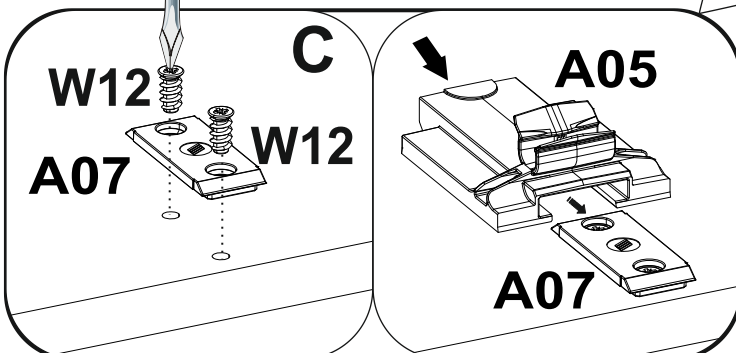
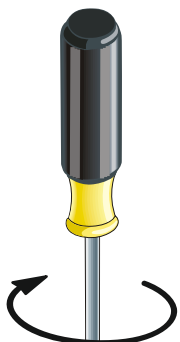
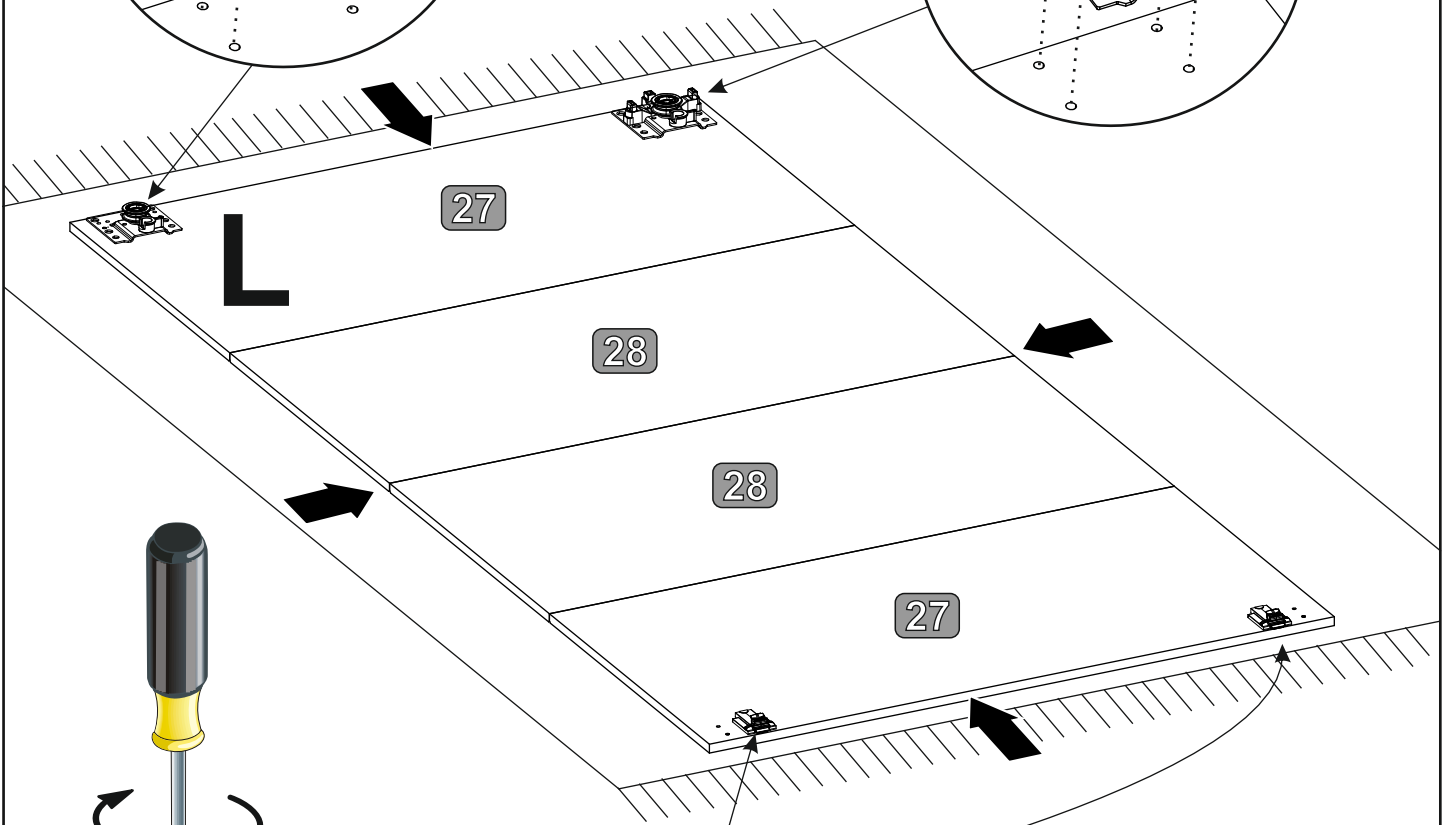
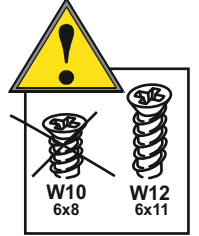
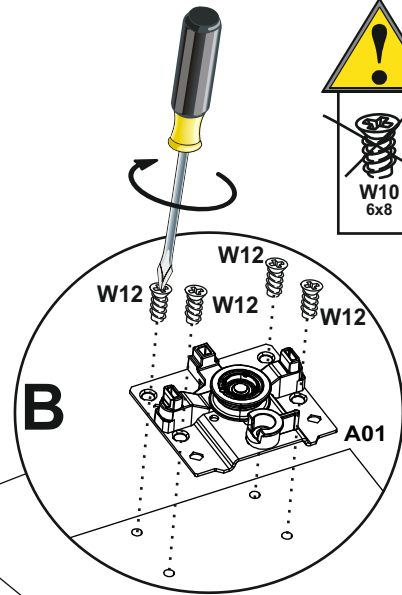
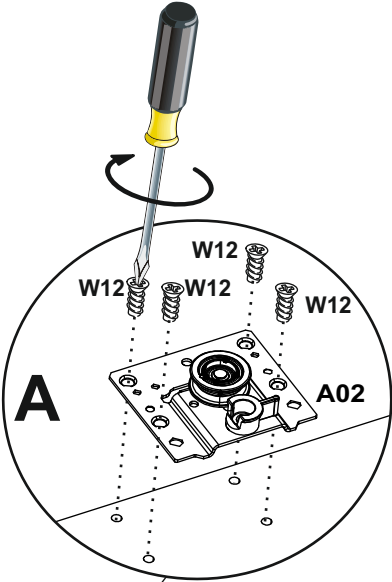


30

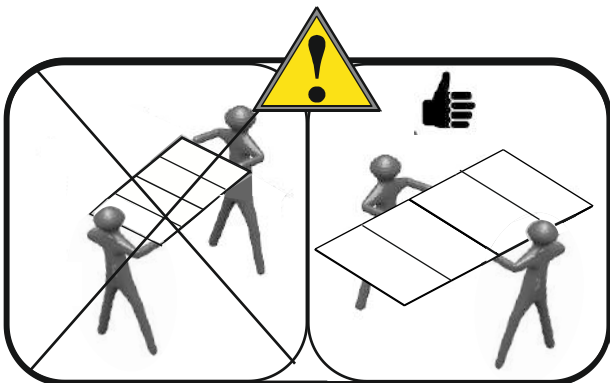
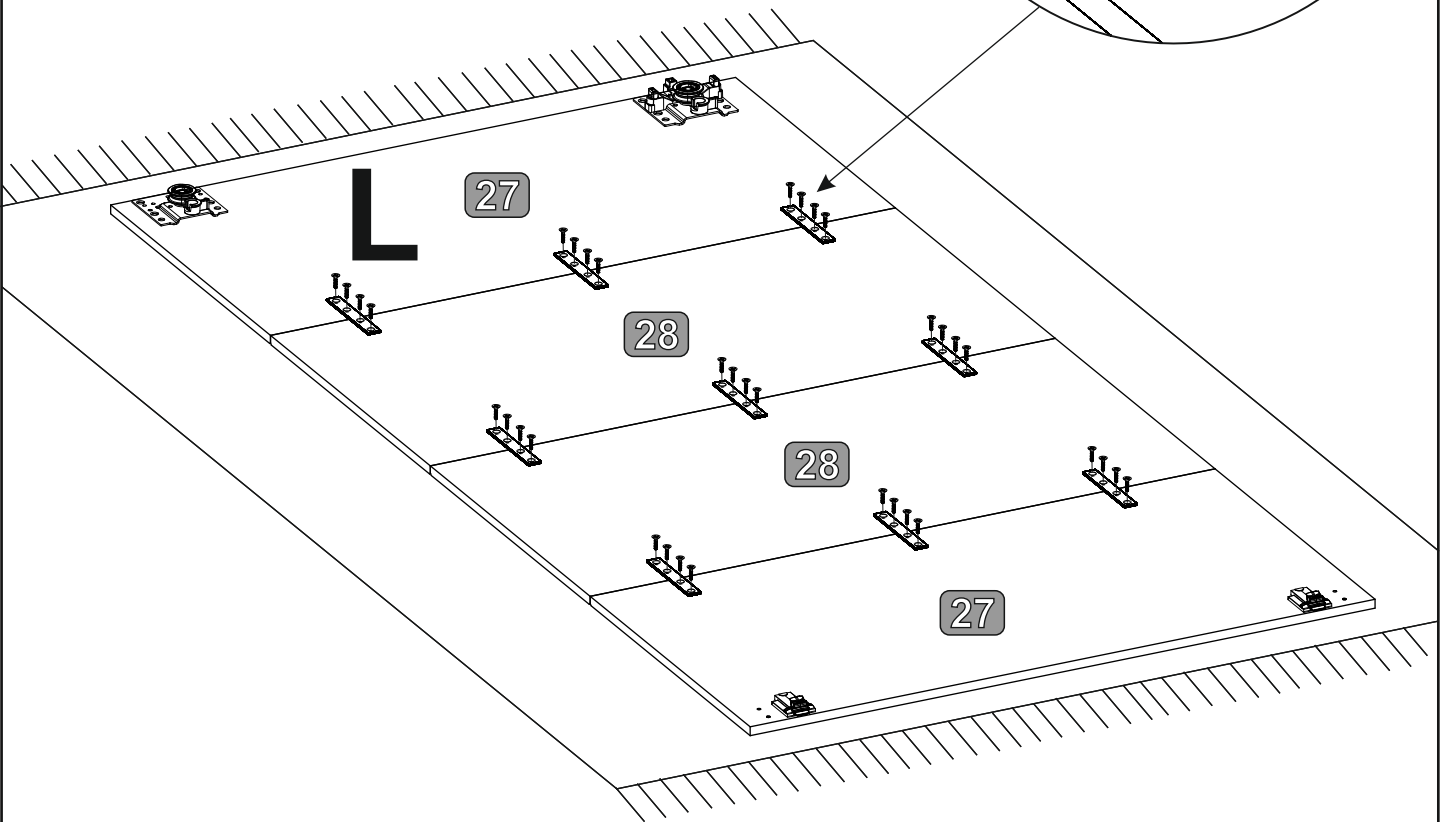
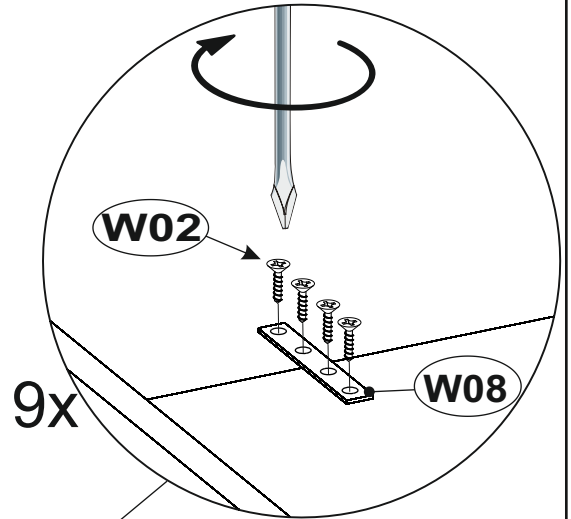
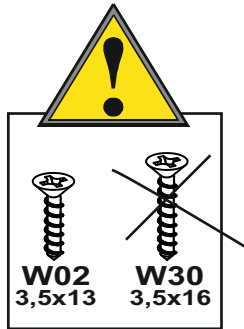
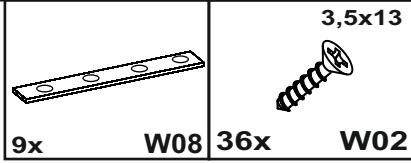
- 2x A07
- 2x A05
- 12x W12 (6x11)
- 1x A01
- 1x A02



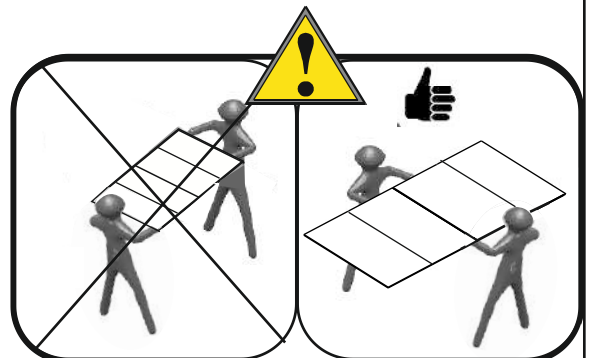
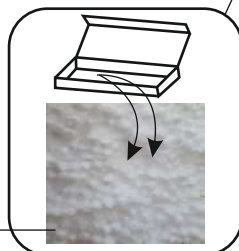
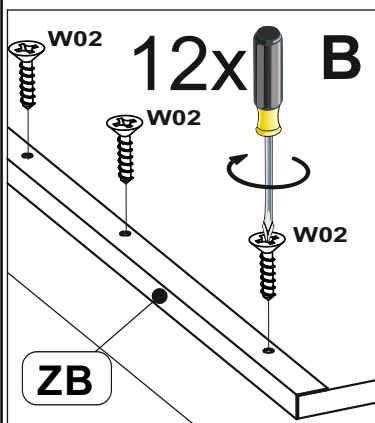
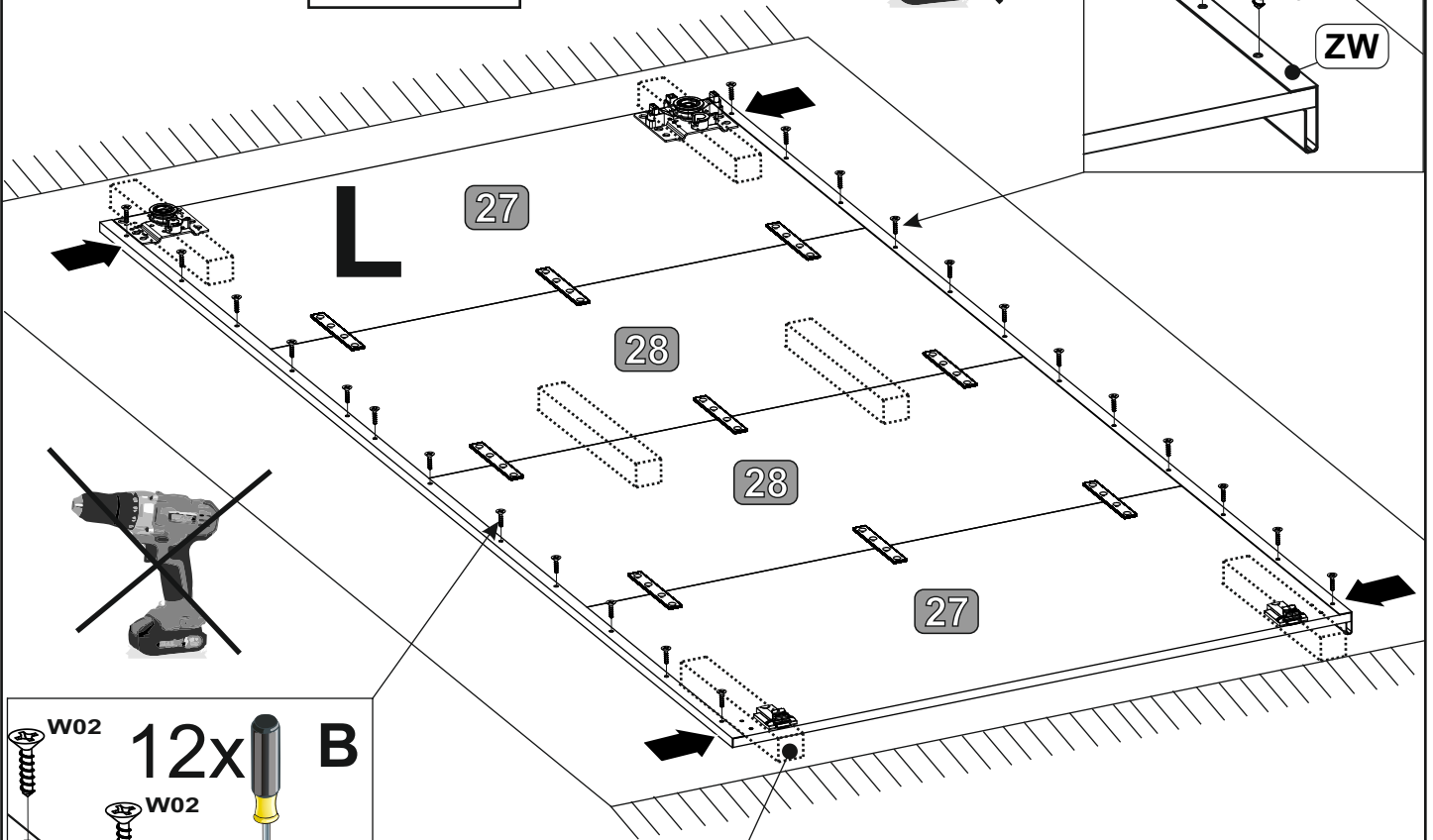
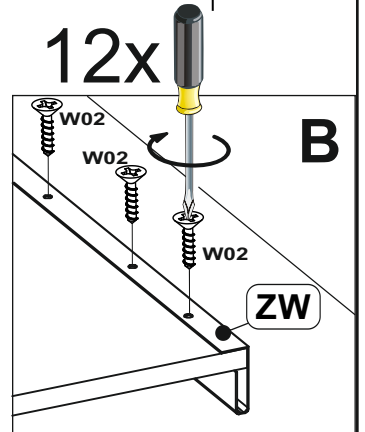
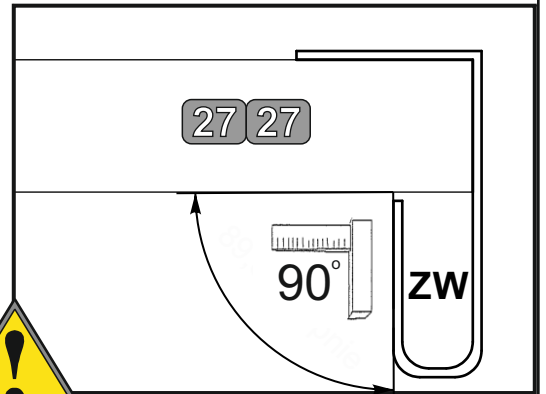
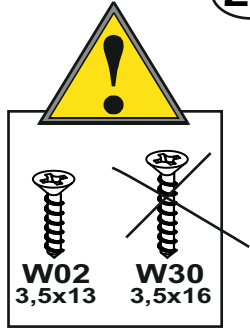
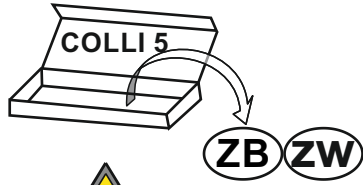
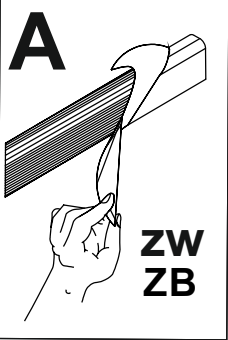
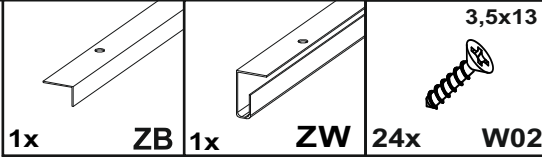
27 28



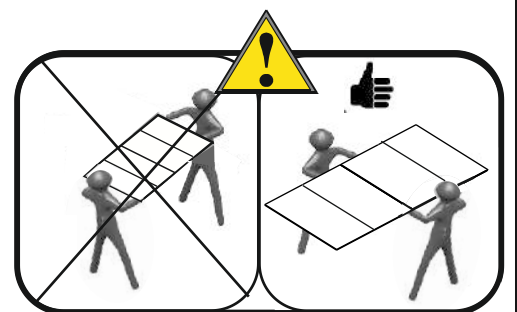
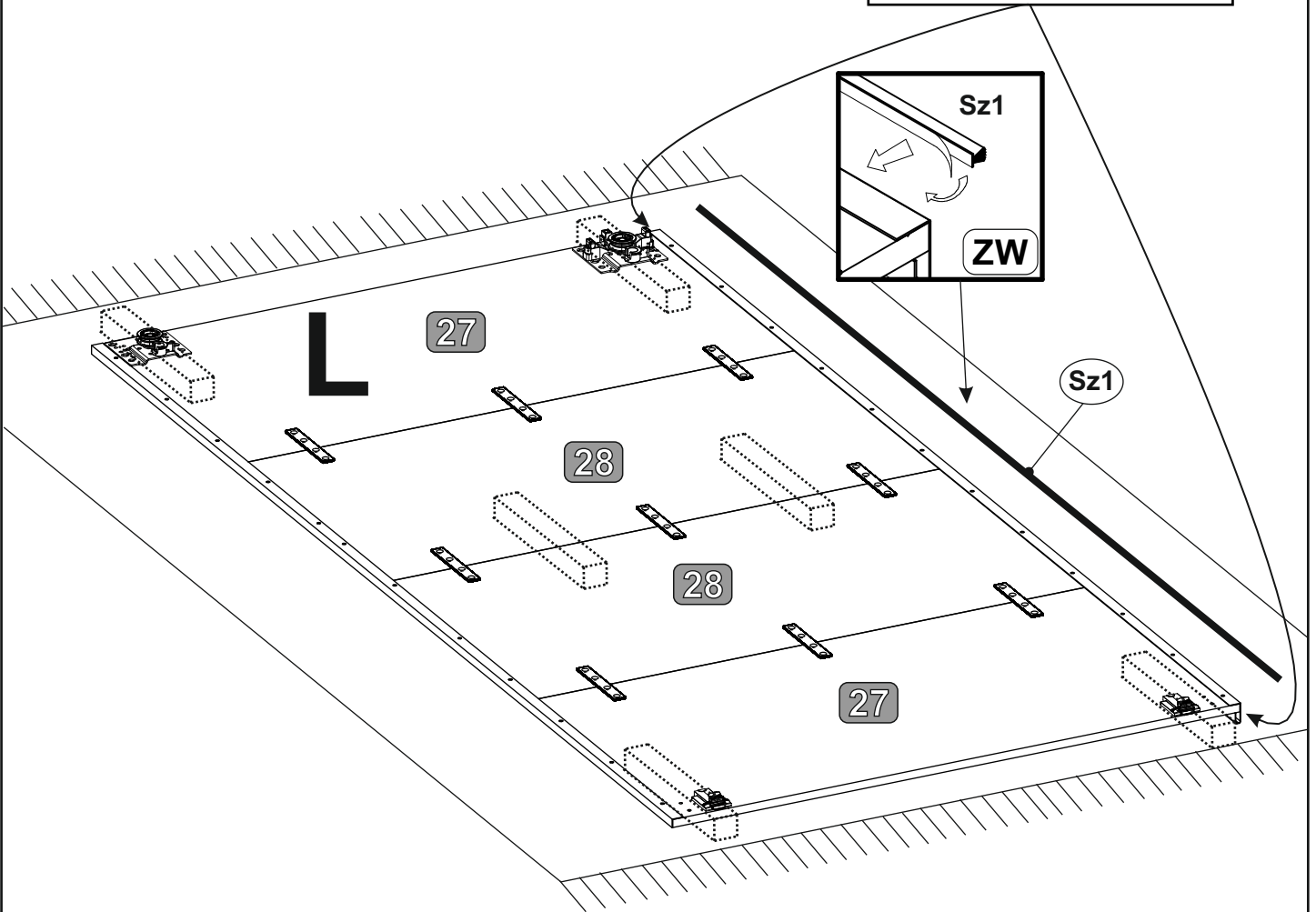
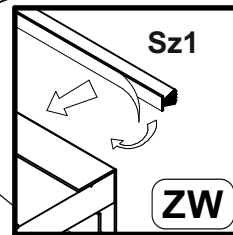
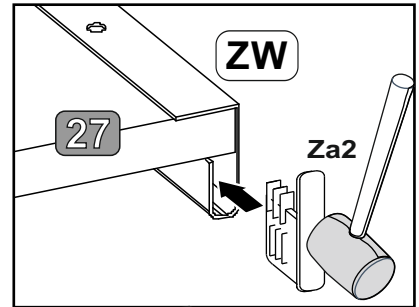
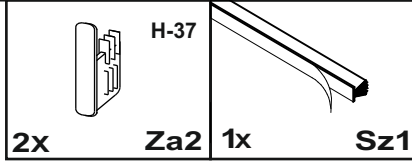
31



32



33



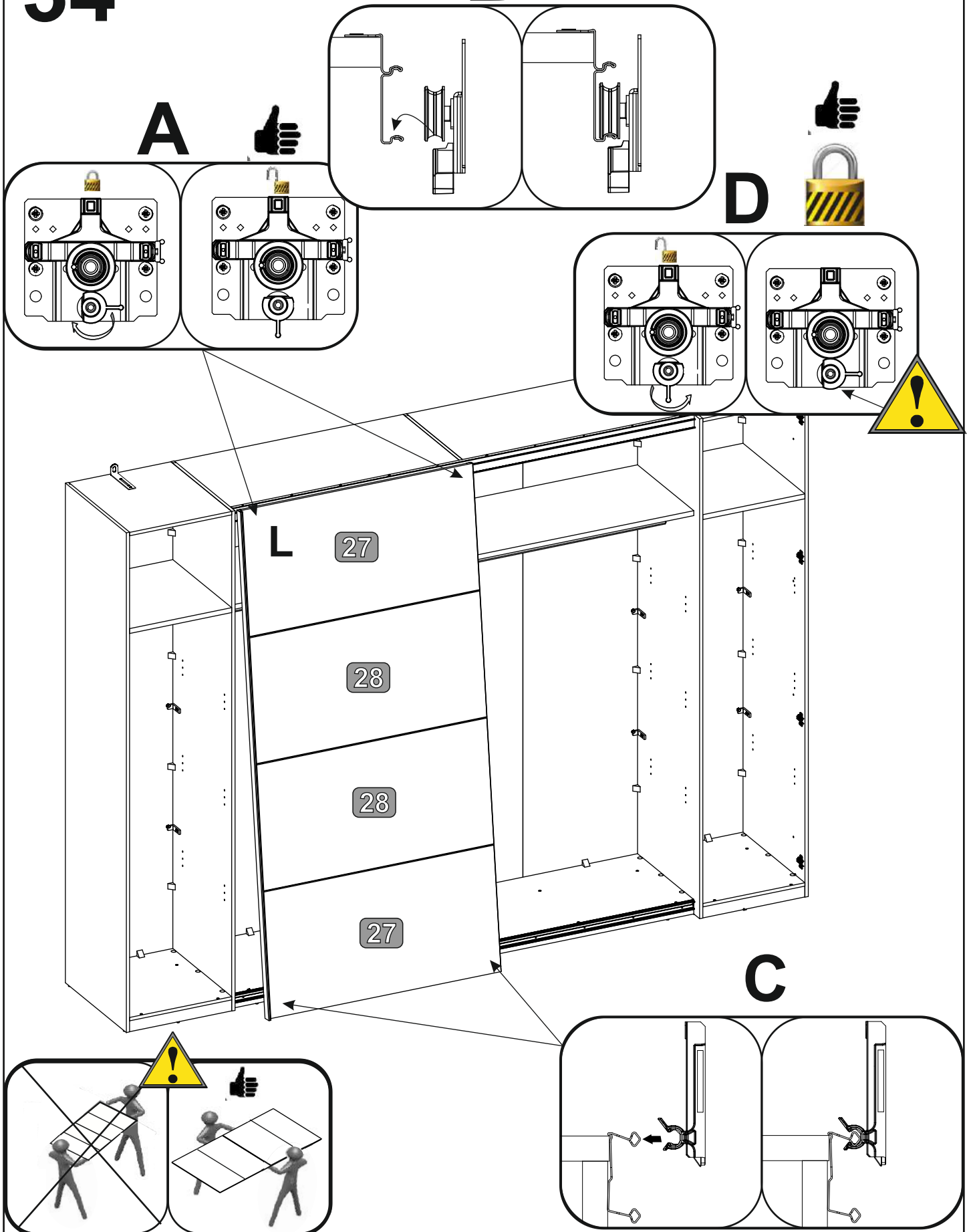
34

B

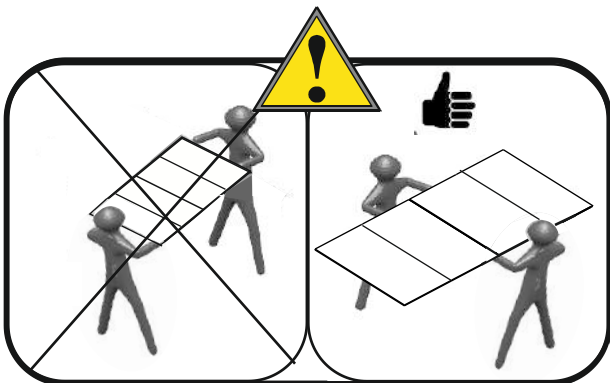
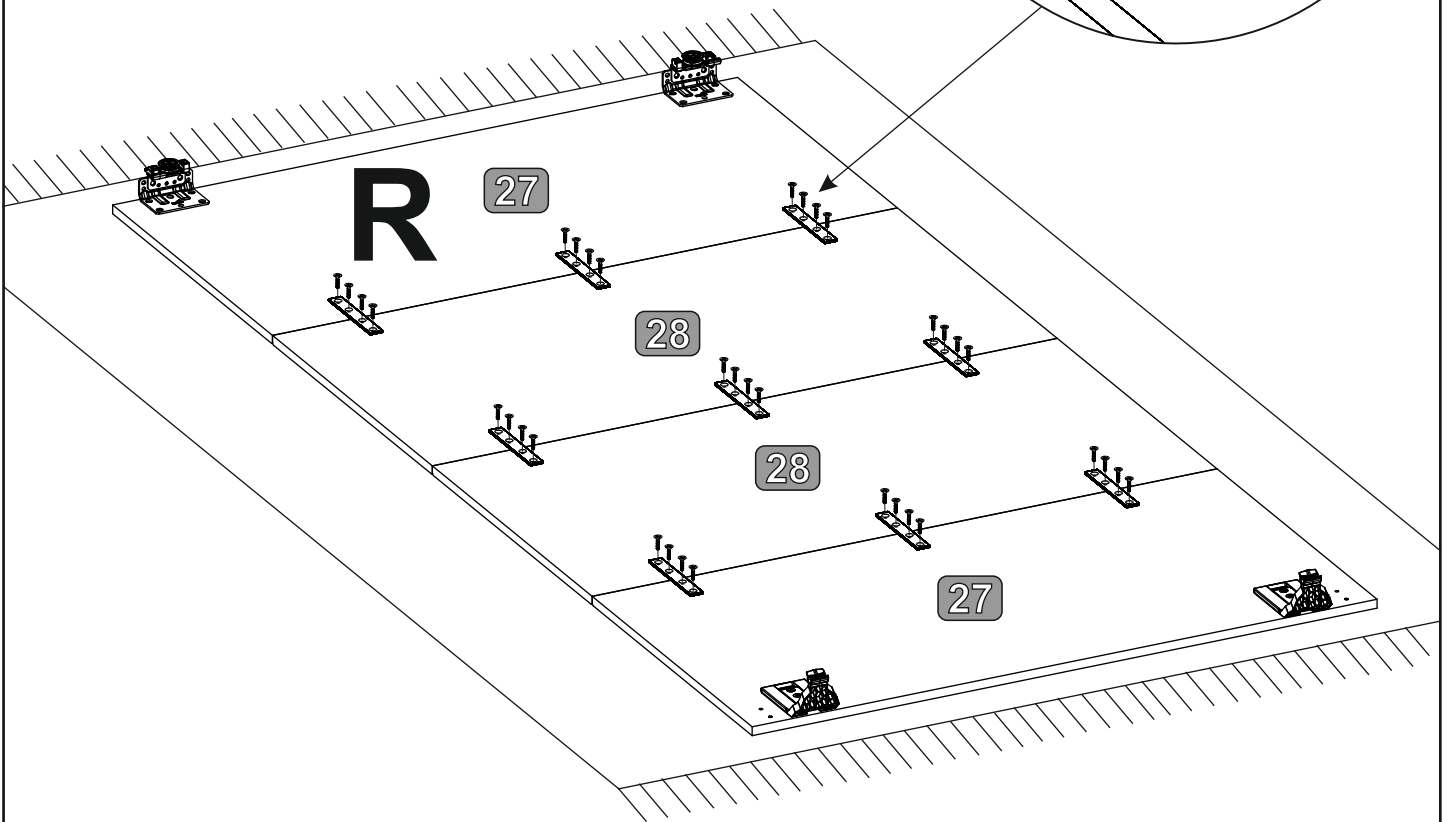
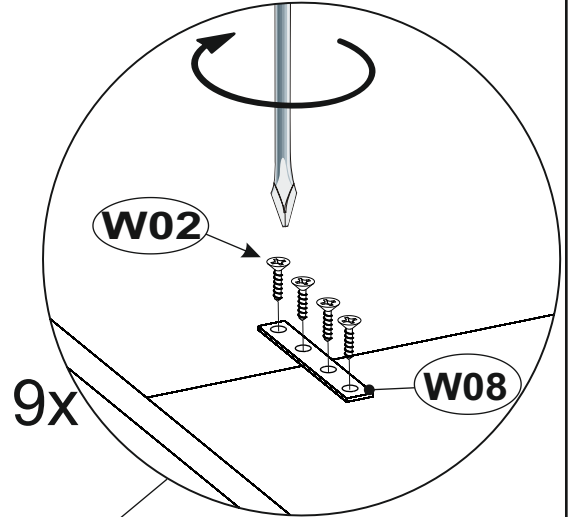
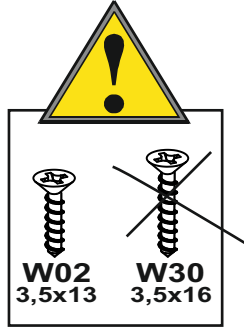
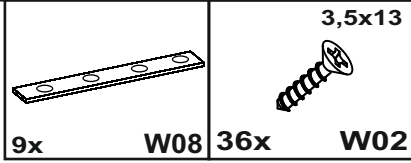
A

D

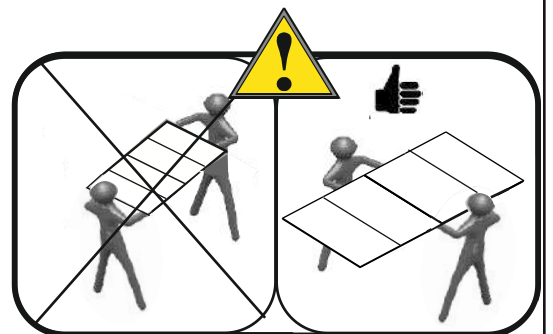
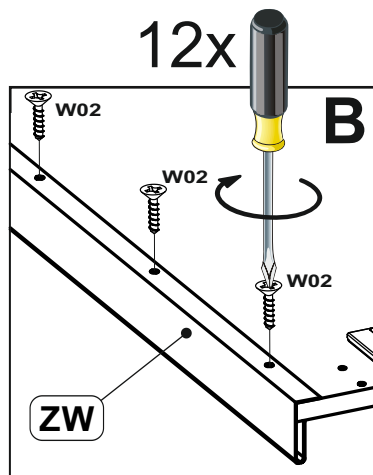
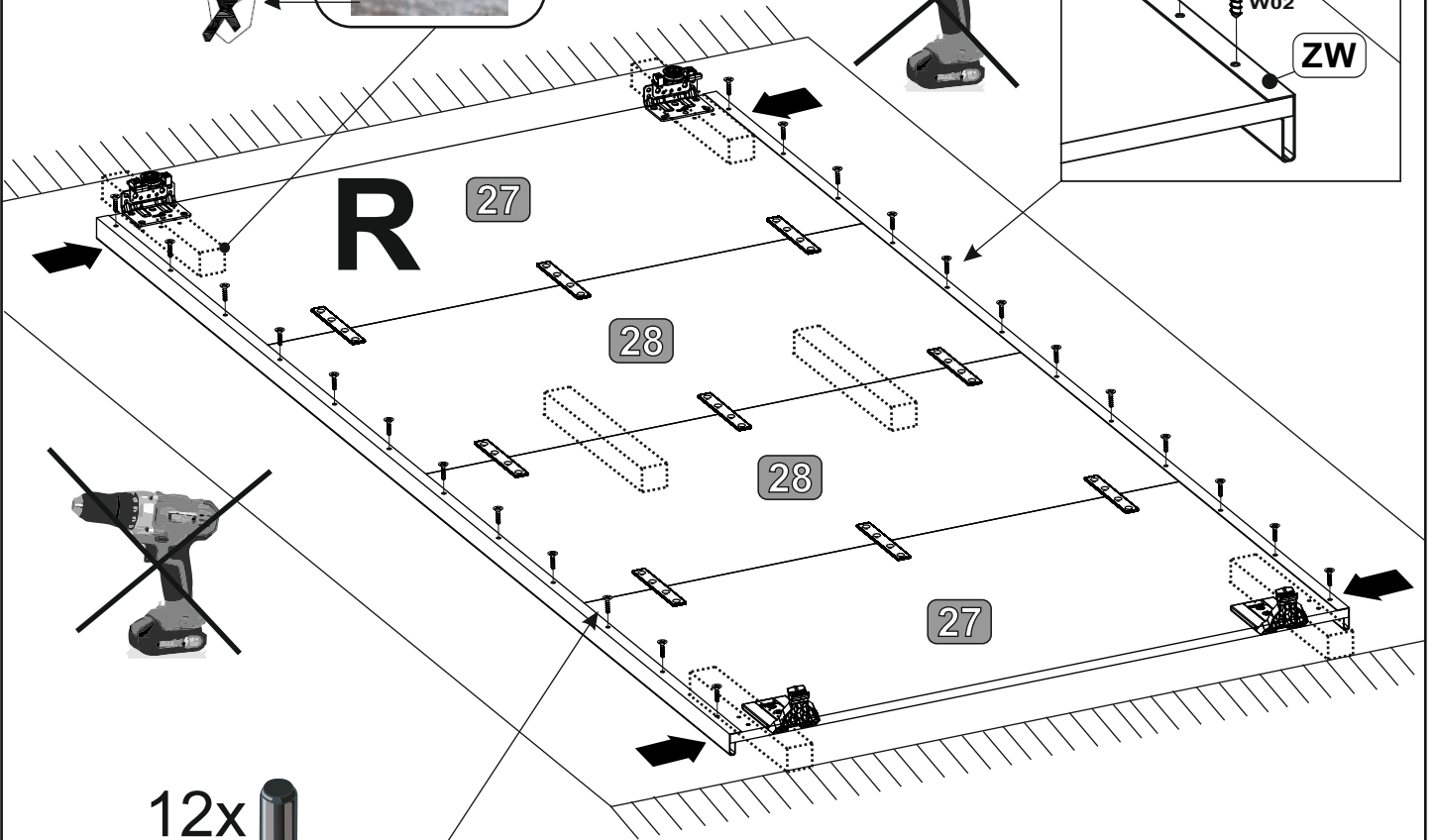
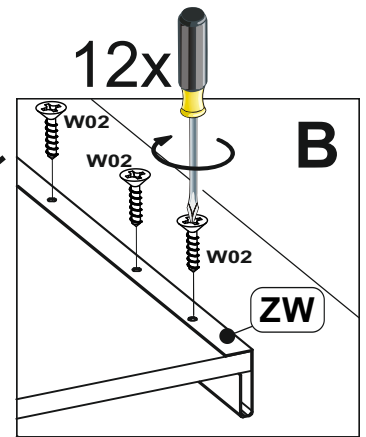
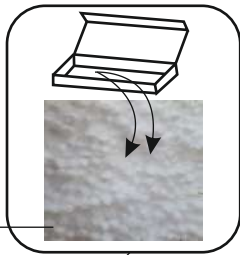
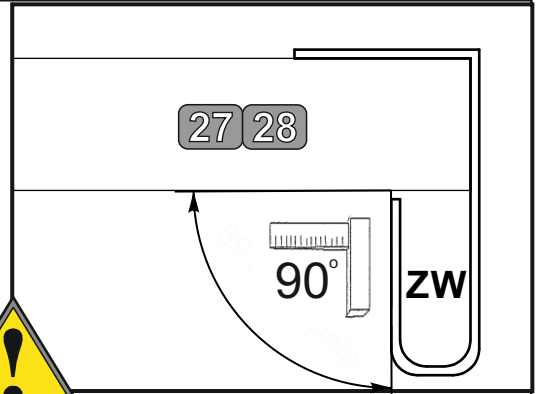
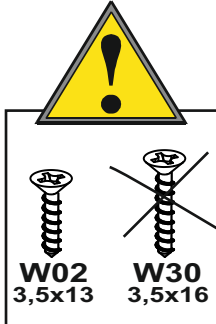
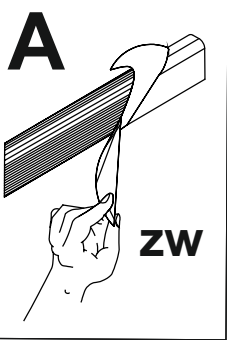
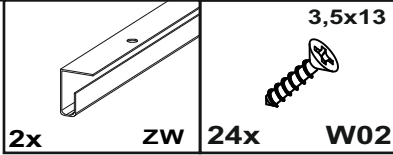
C



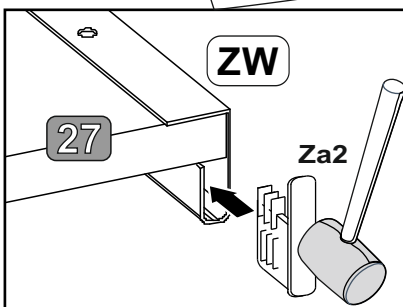
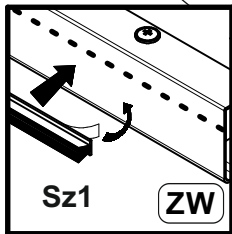
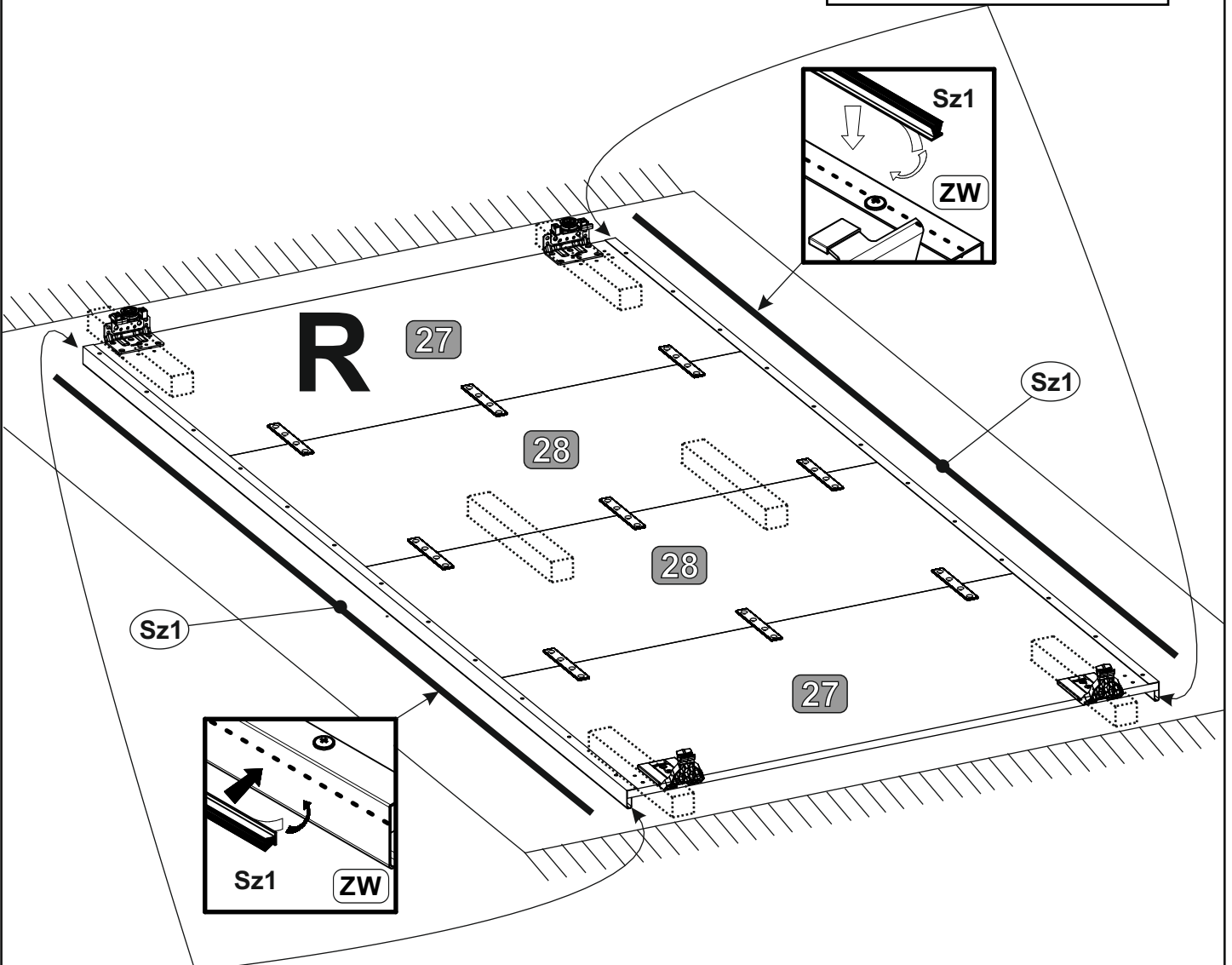
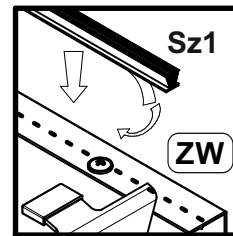
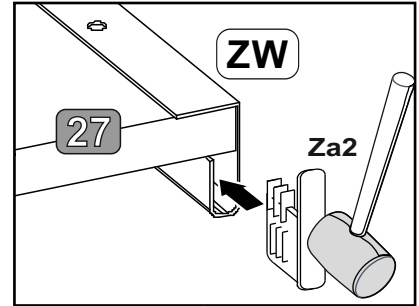
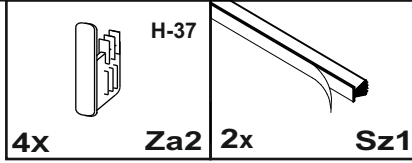
36



37

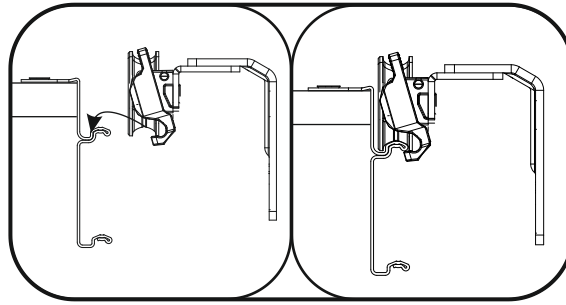


38

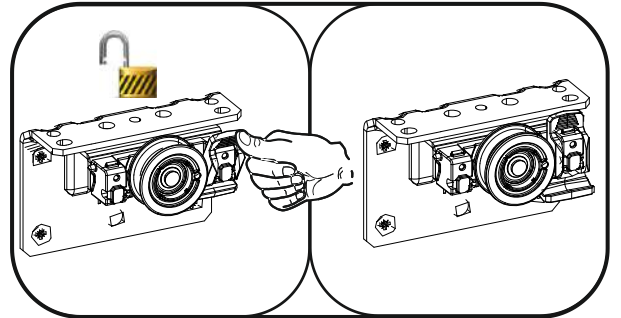


39

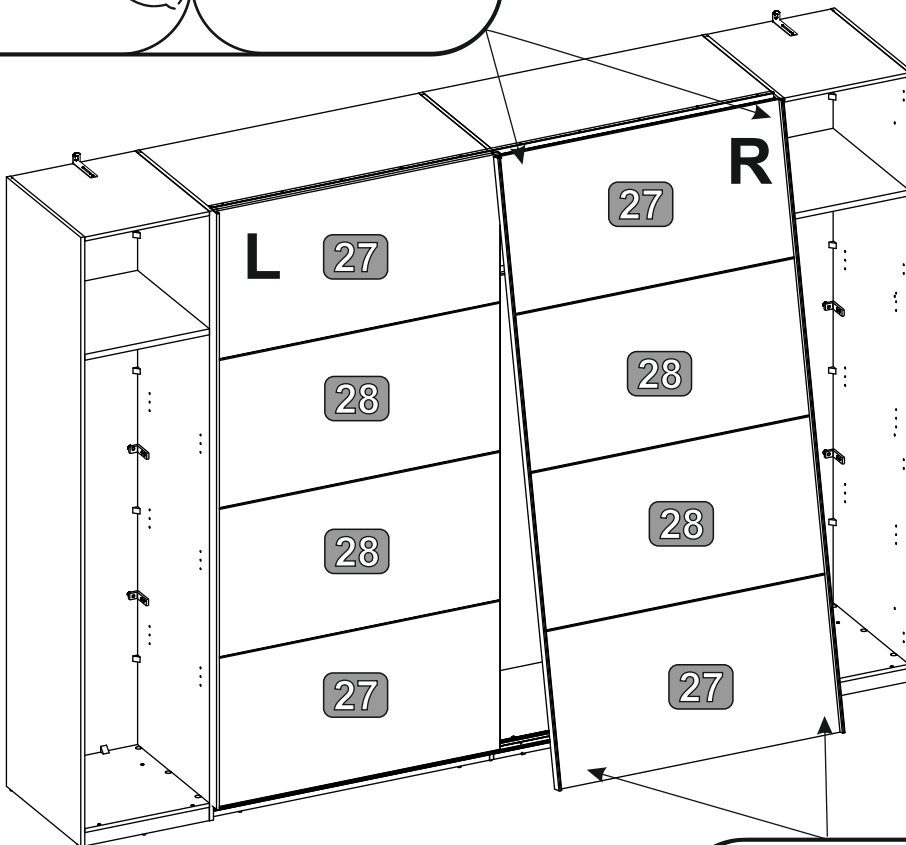
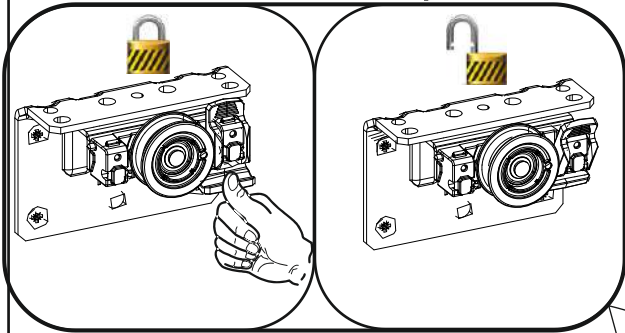
B



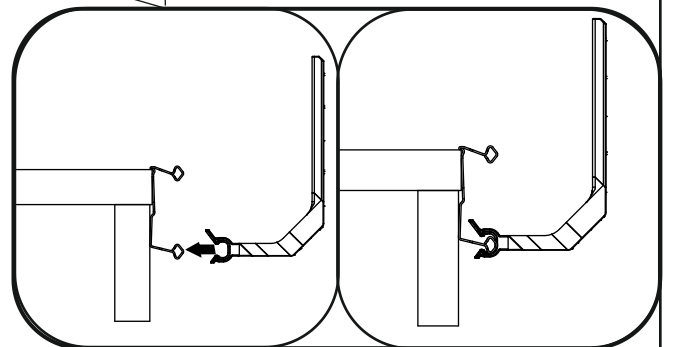
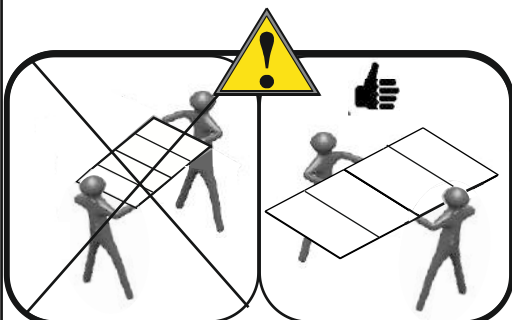
D



A

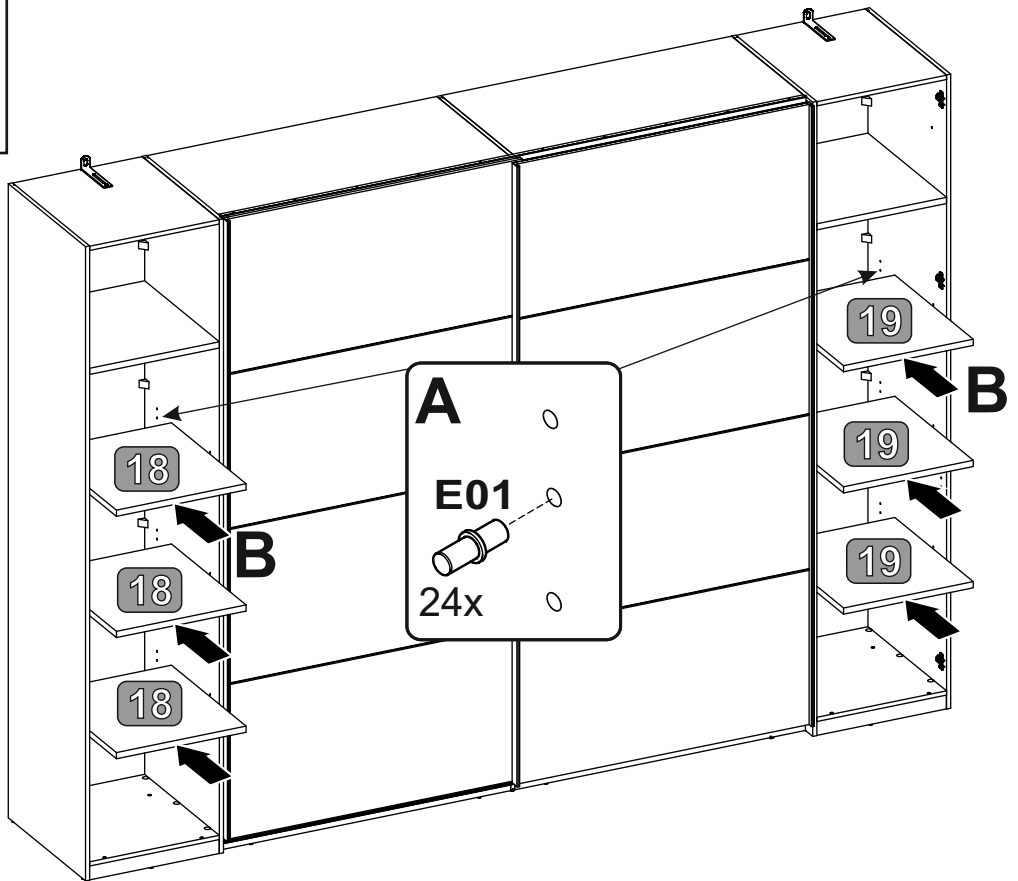
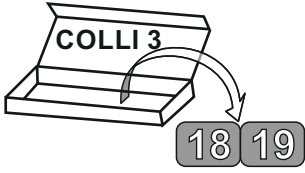


C



41

24x E01

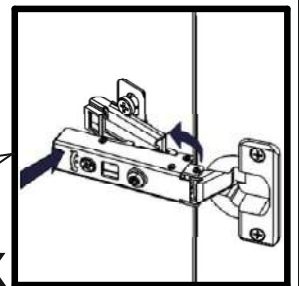


42

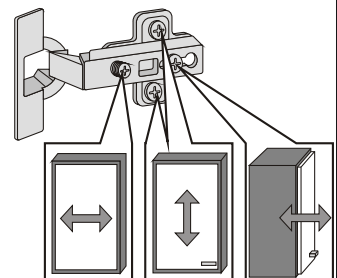
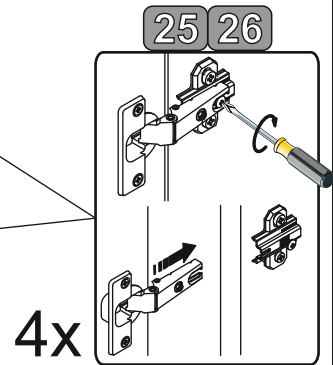
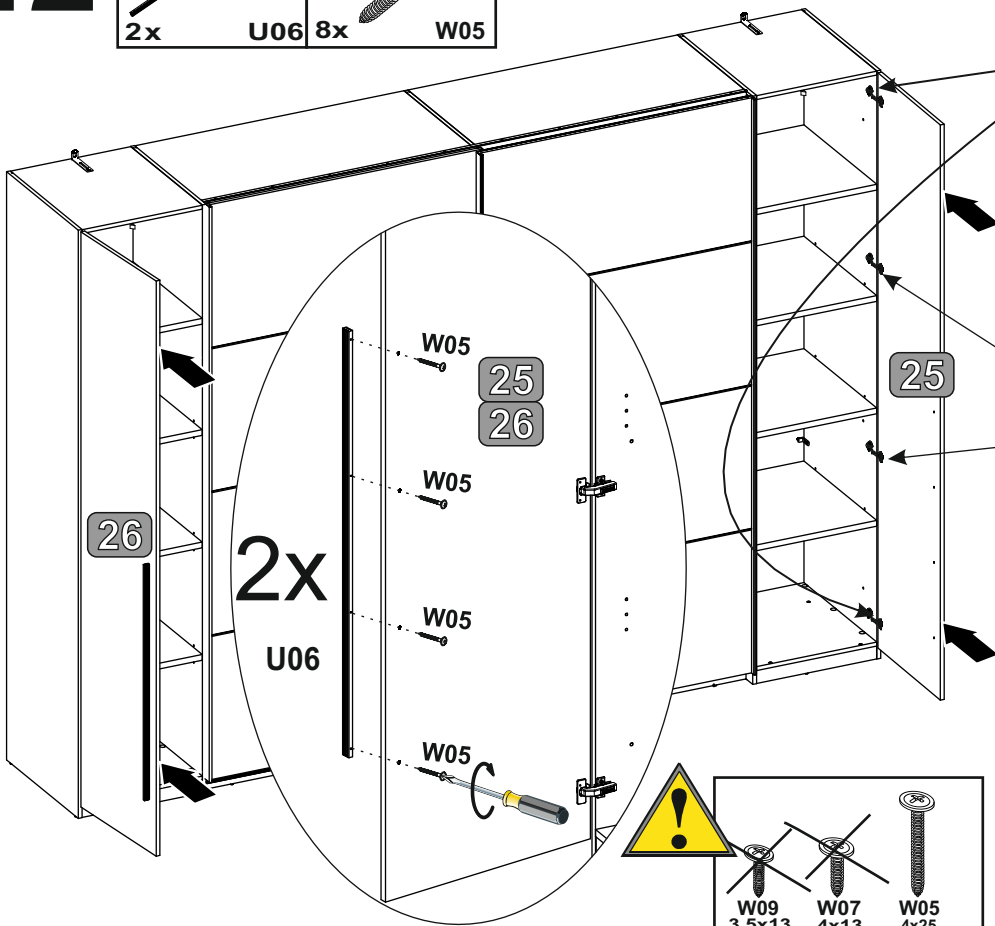
2x U06

8x W05

4x25



4x



43

