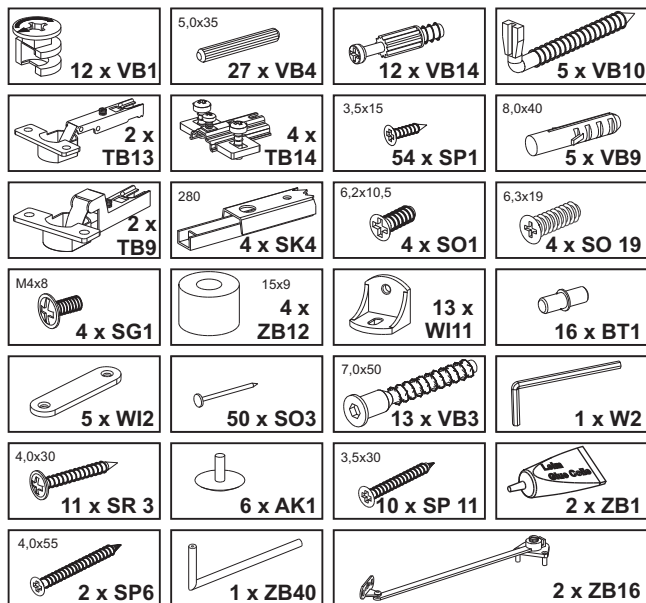


**Montageanleitung**  
**Assembly instruction**  
**Instructions de montage**  
**Instrucciones de montaje**  
**Istruzioni per il montaggio**  
**Руководство по монтажу**  
**Instrukcja montażu**  
**Montážní návod**  
**Návod na montáž**  
**Szerelési utasítás**  
**Инструкция за монтаж**  
**Kurulum Talimatları**  
**Navodilo za montažo**  
**Montagehandleiding**  
**A s e n n u s o h j e**  
**Upute o montaži**  
**Instrucțiuni de montaj**  
**Monteringsveiledning**

إرشادات التركيب

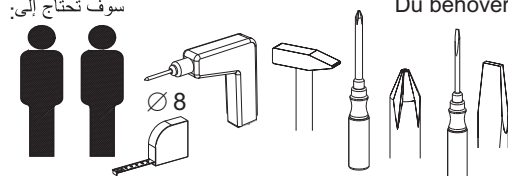
**Monteringsvejledning**  
**Instruções de montagem**  
**Monteringsanvisning**

Beschläge / fittings / Ferrures pour meubles / Herrajes / Guarnizioni / Крепления / Okucia / Kování /Kovanie / Vasalások / обков / Parçaları /okovje / Hang- en sluitwerk / helat / Oblo-ge / armături, balamale / Beslag / بعض التركيبات / Beslag / Guarnições / Beslag

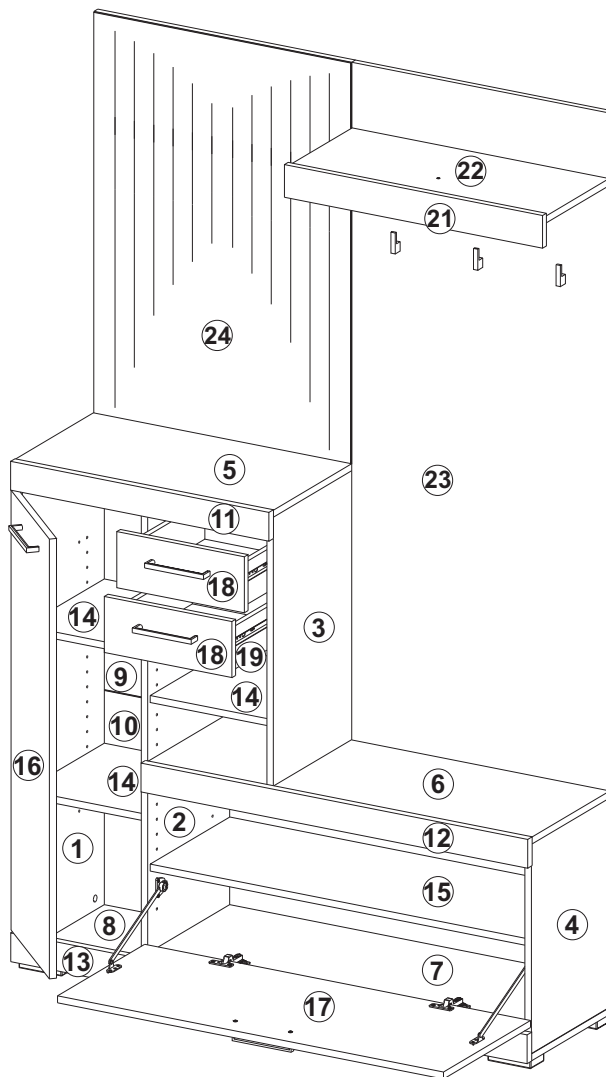
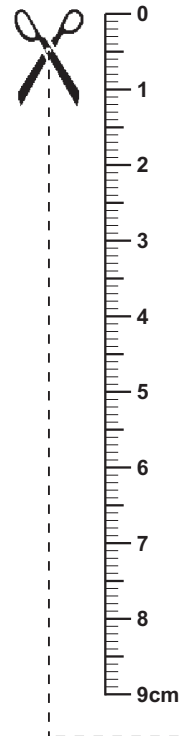


Sie benötigen:  
 You need:  
 Vous avez besoin de:  
 Necesita:  
 Le servono :  
 Вам потребуются:  
 Potrebujete:  
 Tarvitset:  
 Aveți nevoie de :  
 Du behøver:  
 سوف تحتاج إلى:

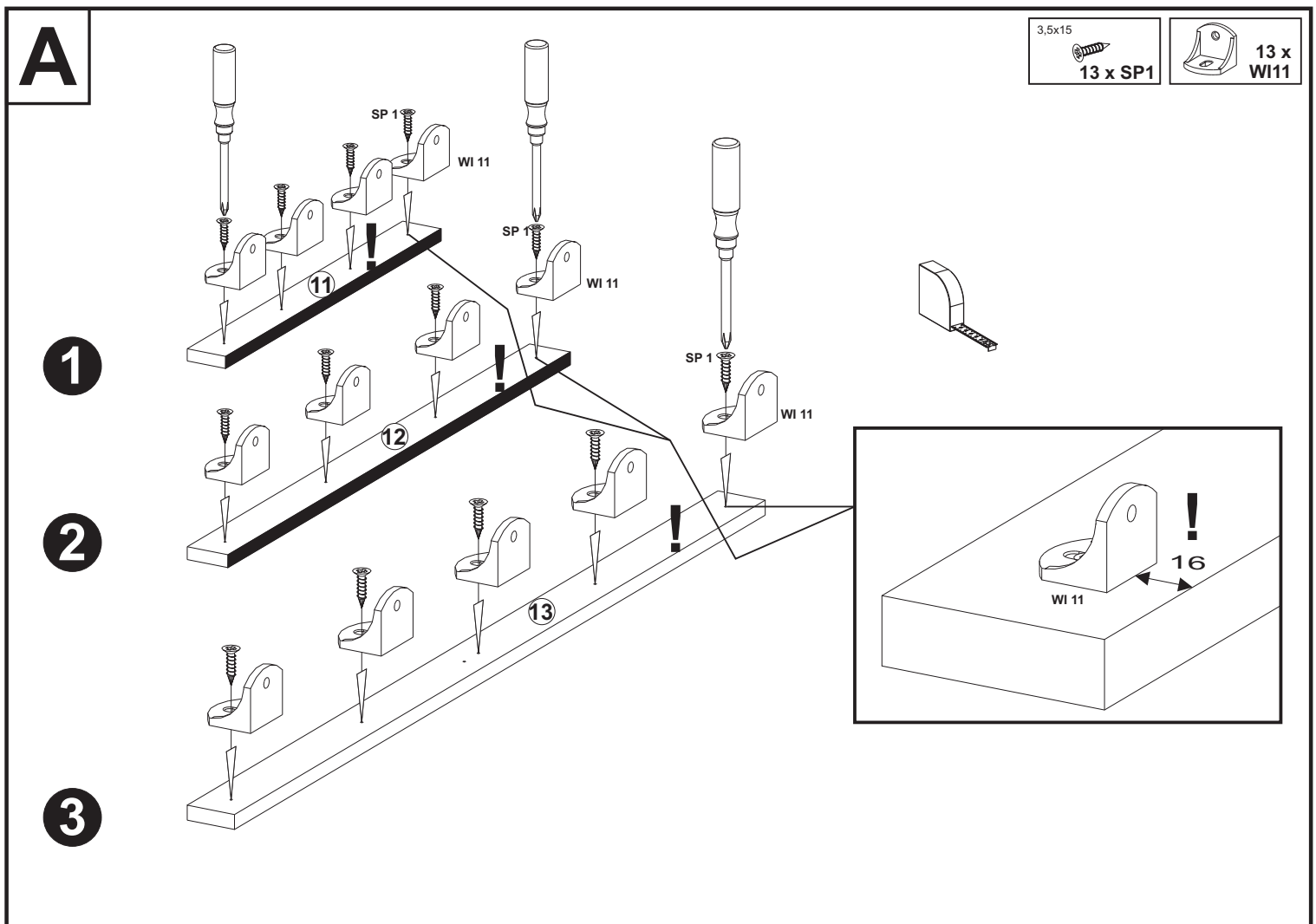
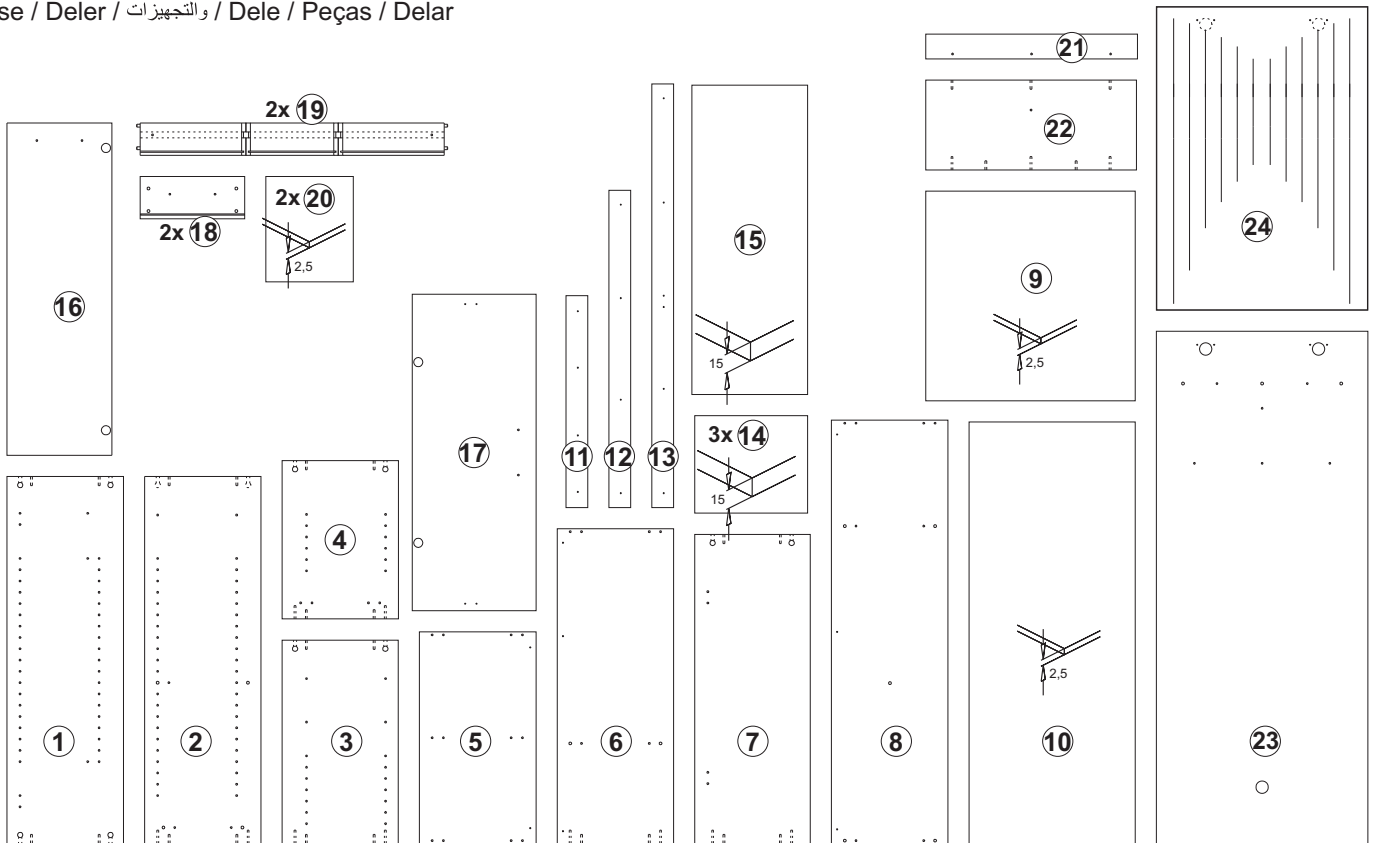
Potrebne są:  
 Potřebujete:  
 Potrebujete:  
 Szükséges eszközök:  
 На Вас са Ви нужни:  
 Ihtiyacınız:  
 U hebt nodig:  
 Trebate:  
 Du skal bruge:  
 Necesita de:  
 Du behöver:



**BRISTOL 1000**  
**Art.-Nr. 4020-1000**



Teile / article / Pièces / Piezas / Pezzi / части / Części / Díly / Diely / Alkatrészek / Детали / parçalar / dele / Onderdelen / osat / Dijelovi  
 piese / Deler / والتجهيزات / Dele / Peças / Delar



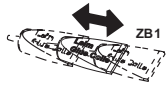
## B

4,0x30  
4 x SR 3

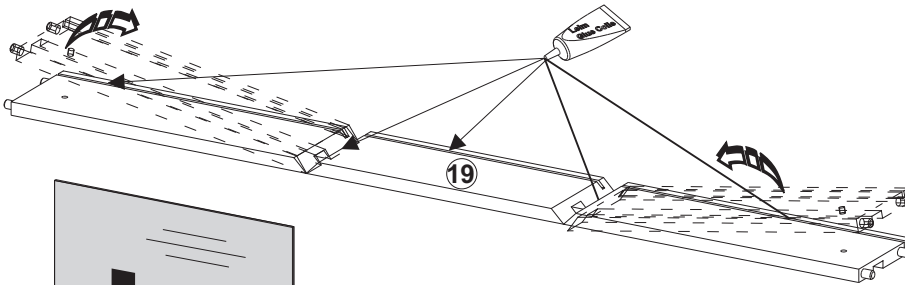
2 x GR34

Glue  
ZB1

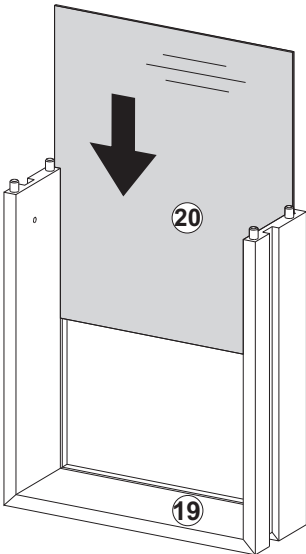
1



2 2x

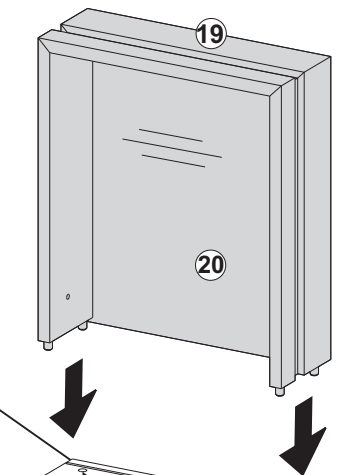
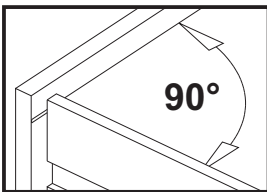


3 2x



180°

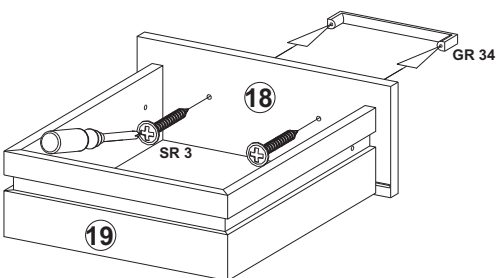
4 2x




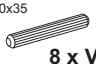
180°

90°

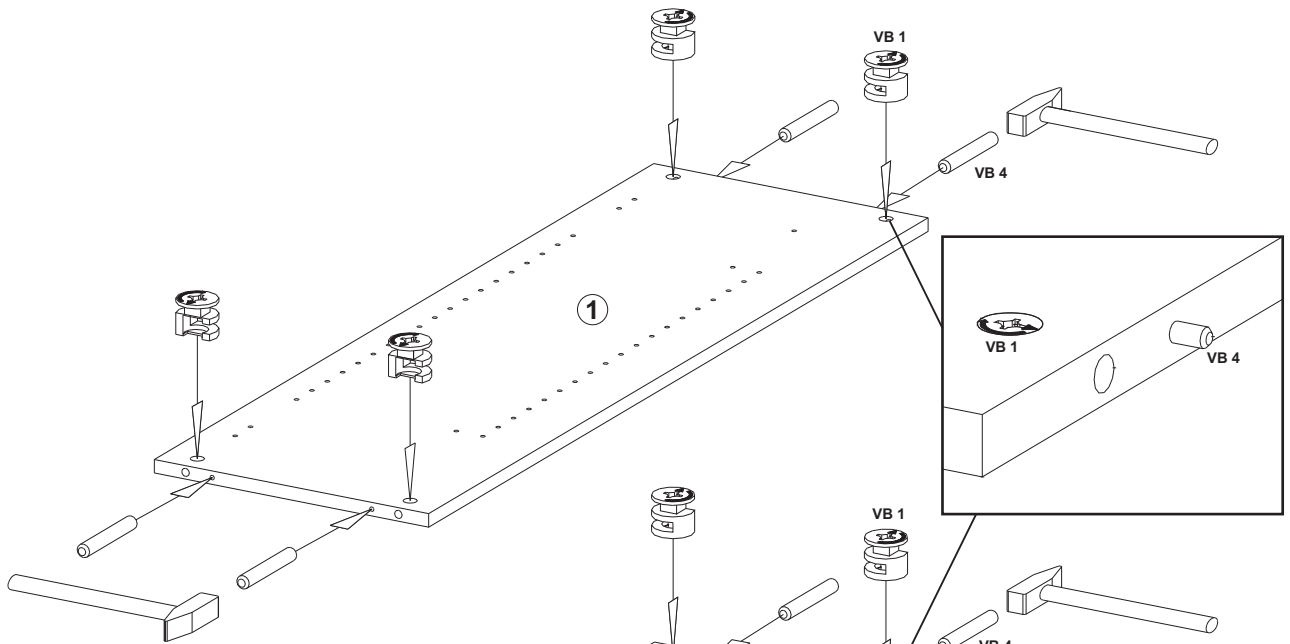
5 2x



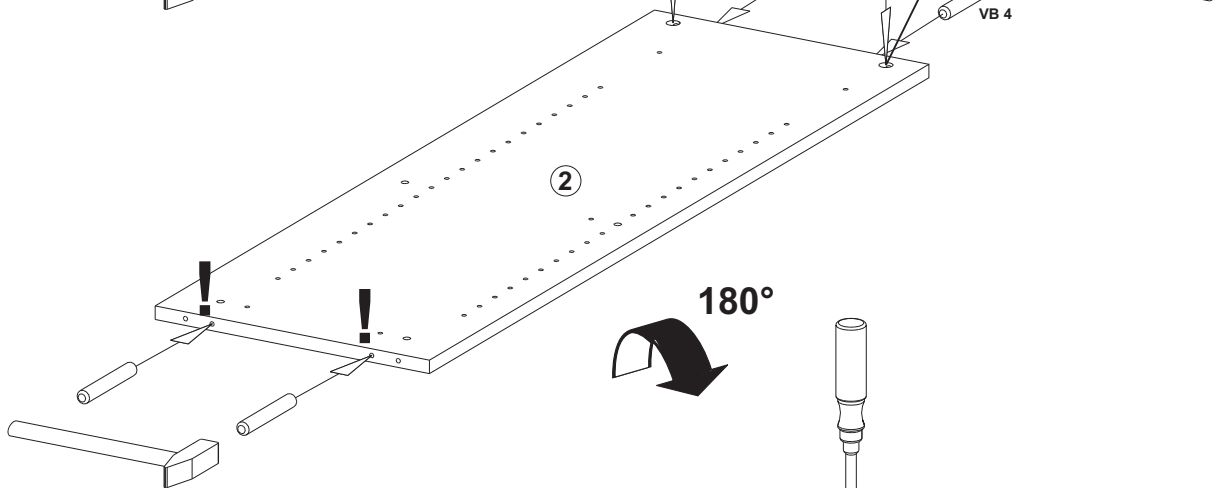
## C

	15x9 4 x <b>ZB12</b>		280 2 x <b>SK4</b>		6,3x19 4 x <b>SO 19</b>		6 x <b>VB1</b>		5,0x35 8 x <b>VB4</b>
-----------------------------------------------------------------------------------	----------------------------	------------------------------------------------------------------------------------	--------------------------	-------------------------------------------------------------------------------------	-------------------------------	-------------------------------------------------------------------------------------	-------------------	-------------------------------------------------------------------------------------	-----------------------------

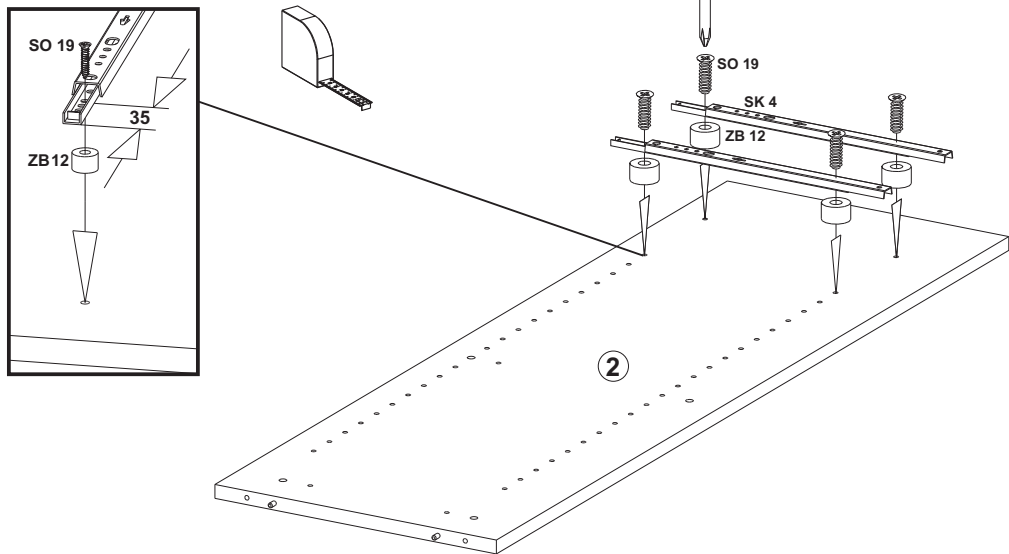
### 1




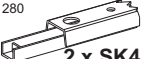


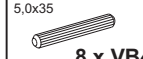
### 2



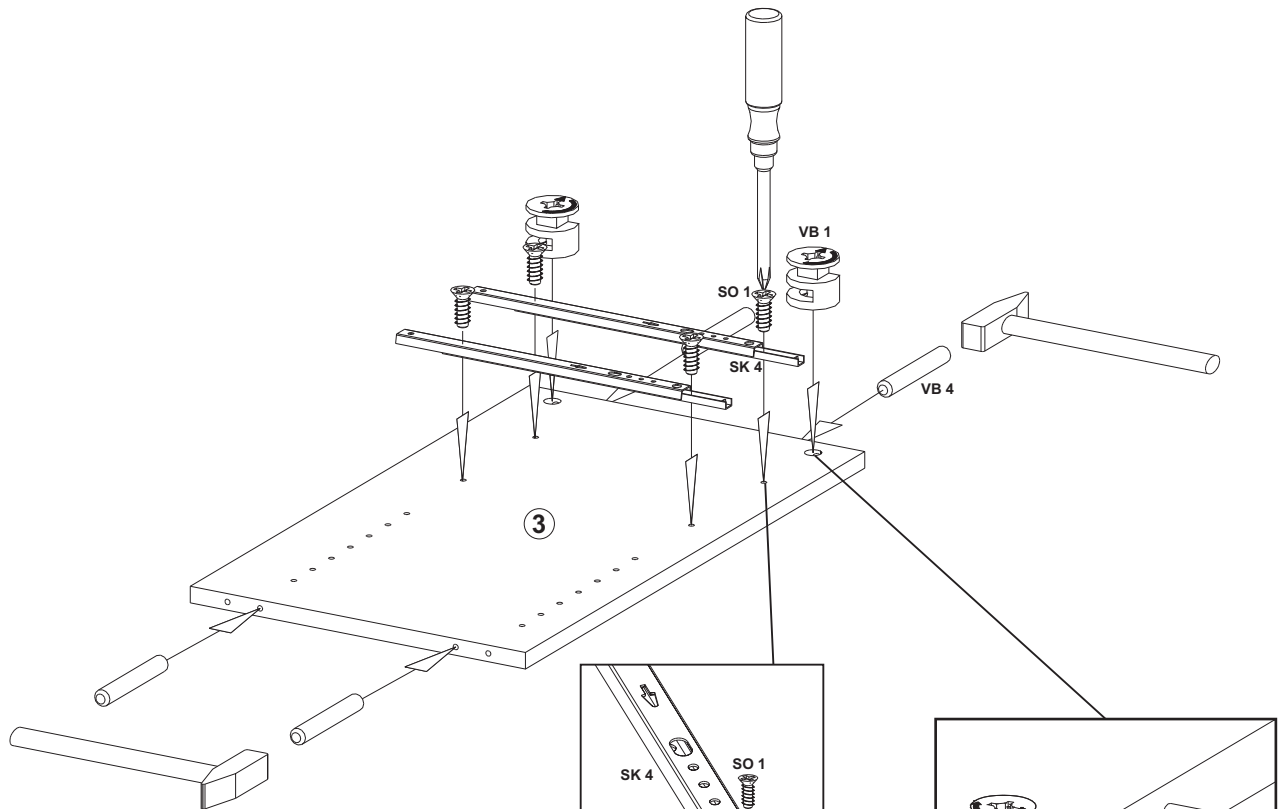
### 3



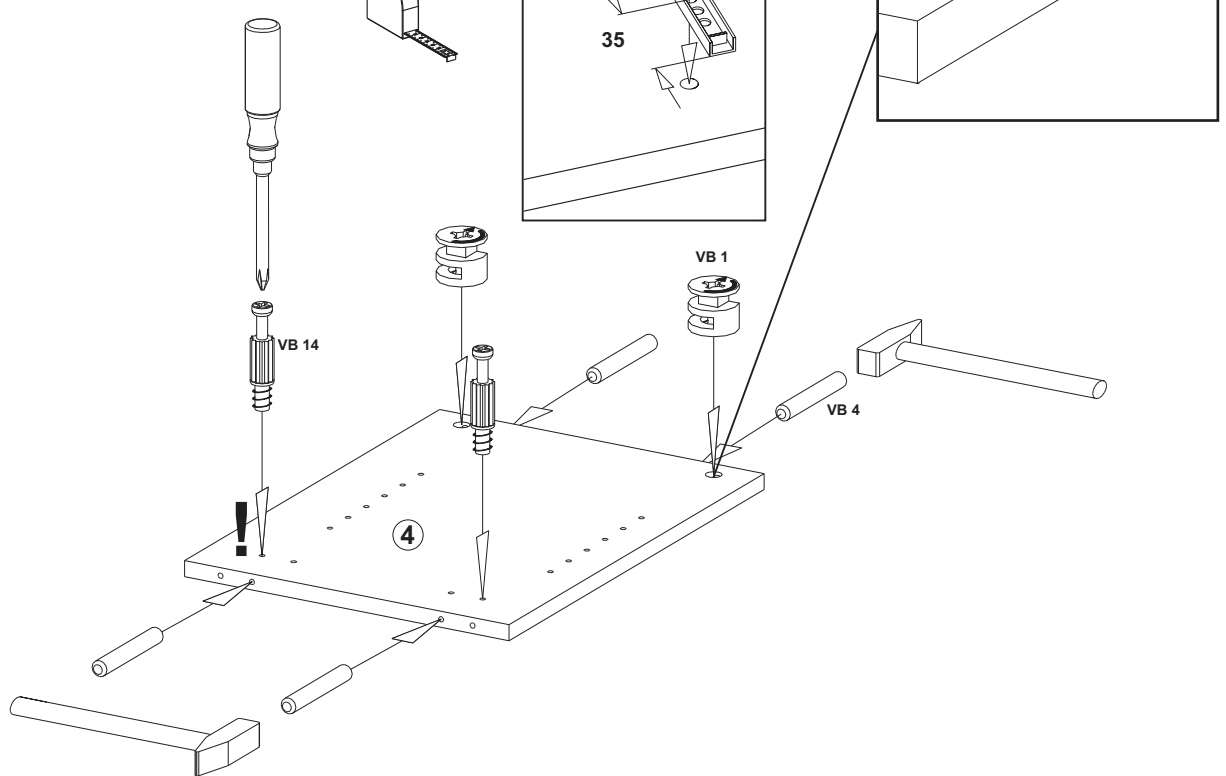
## D

 2 x VB14	 280 2 x SK4	 6,2x10,5 4 x SO1	 4 x VB1	 5,0x35 8 x VB4
--------------------------------------------------------------------------------------------	---------------------------------------------------------------------------------------------------	---------------------------------------------------------------------------------------------------------	---------------------------------------------------------------------------------------------	-------------------------------------------------------------------------------------------------------

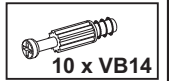
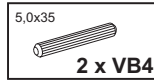
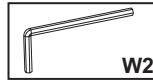
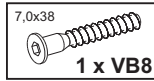
### 1



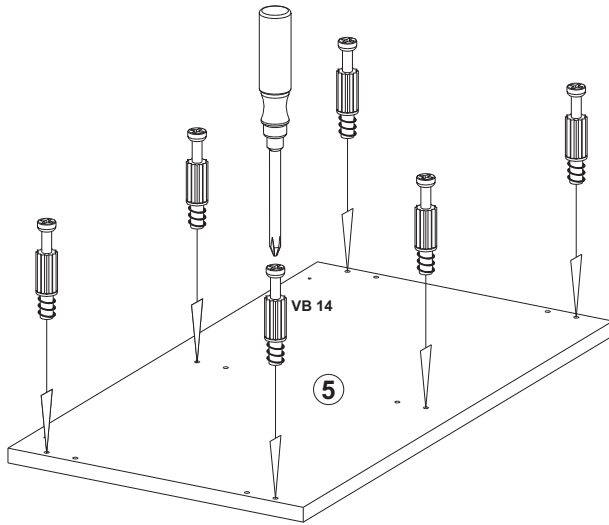
### 2



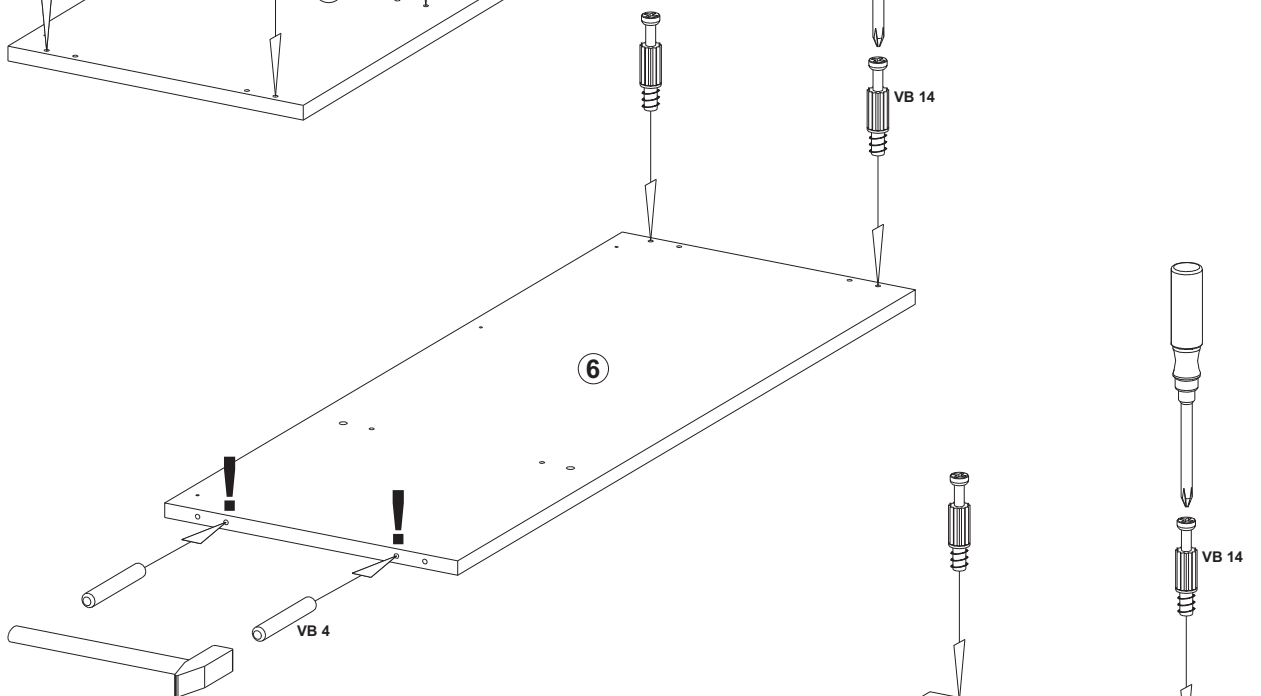
# E



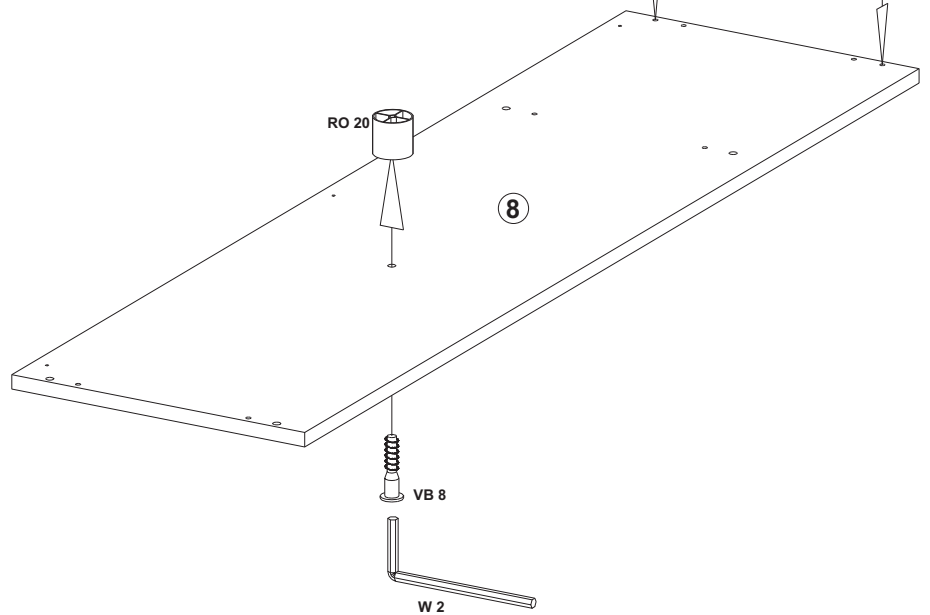
# 1






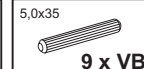
# 2



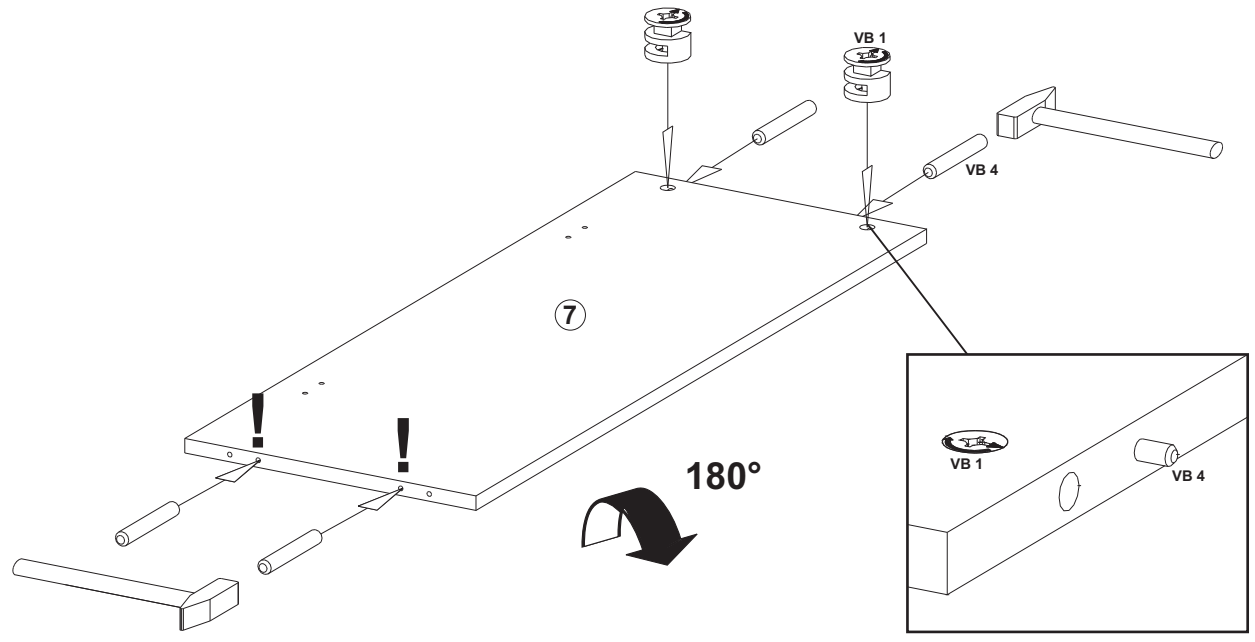
# 3



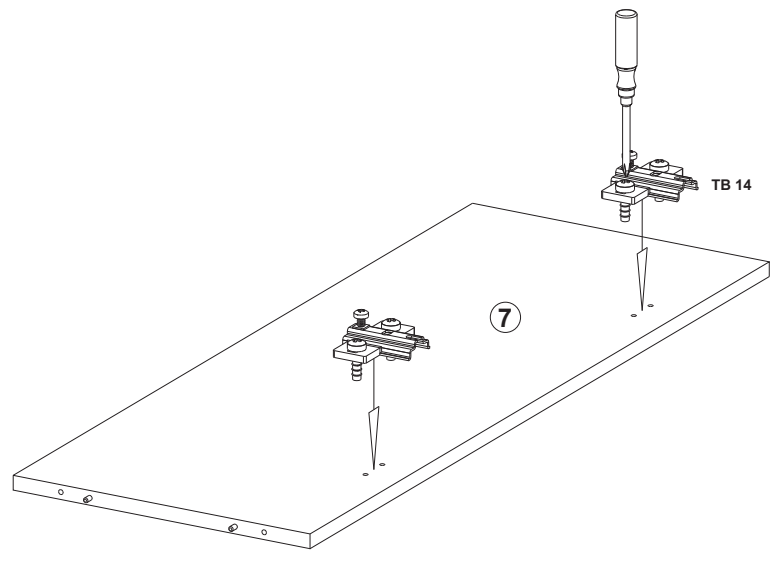
# F

- ZB1 
- 4 x TB14 
- 2 x VB1 
- 5,0x35 9 x VB4 

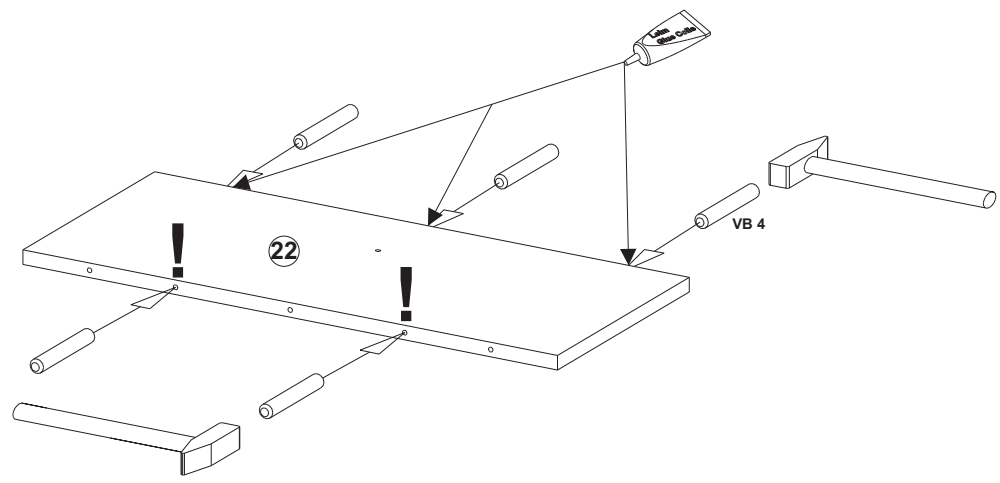
# 1



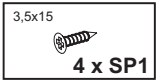
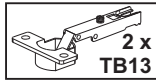
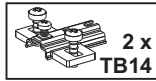
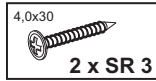
# 2



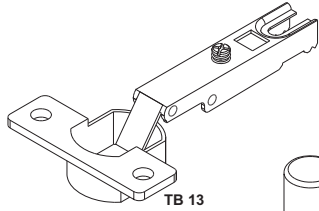
# 3



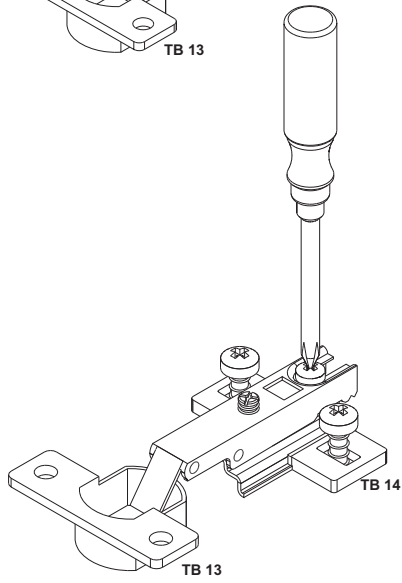
## G



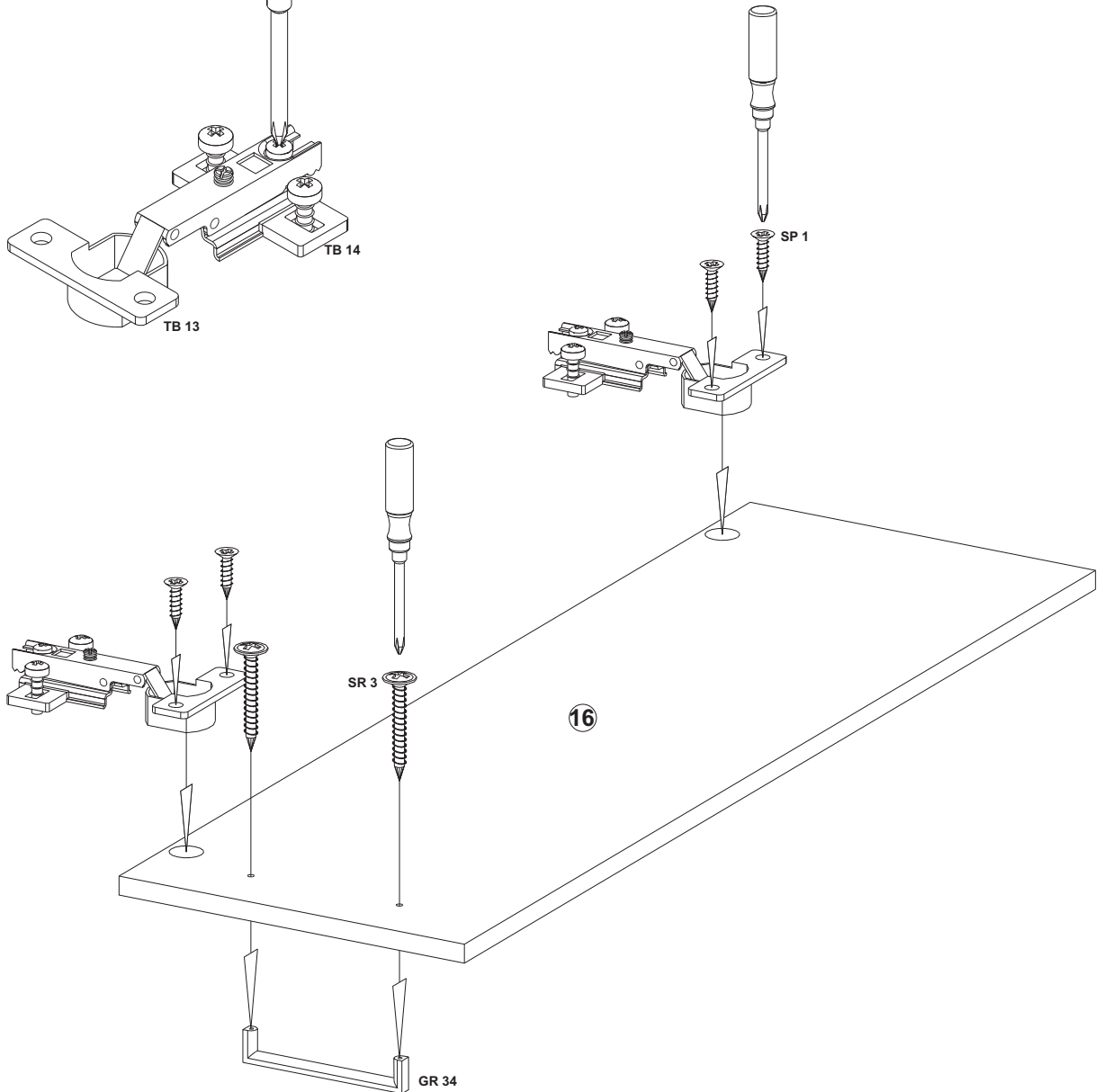
**1** 2x



**2** 2x



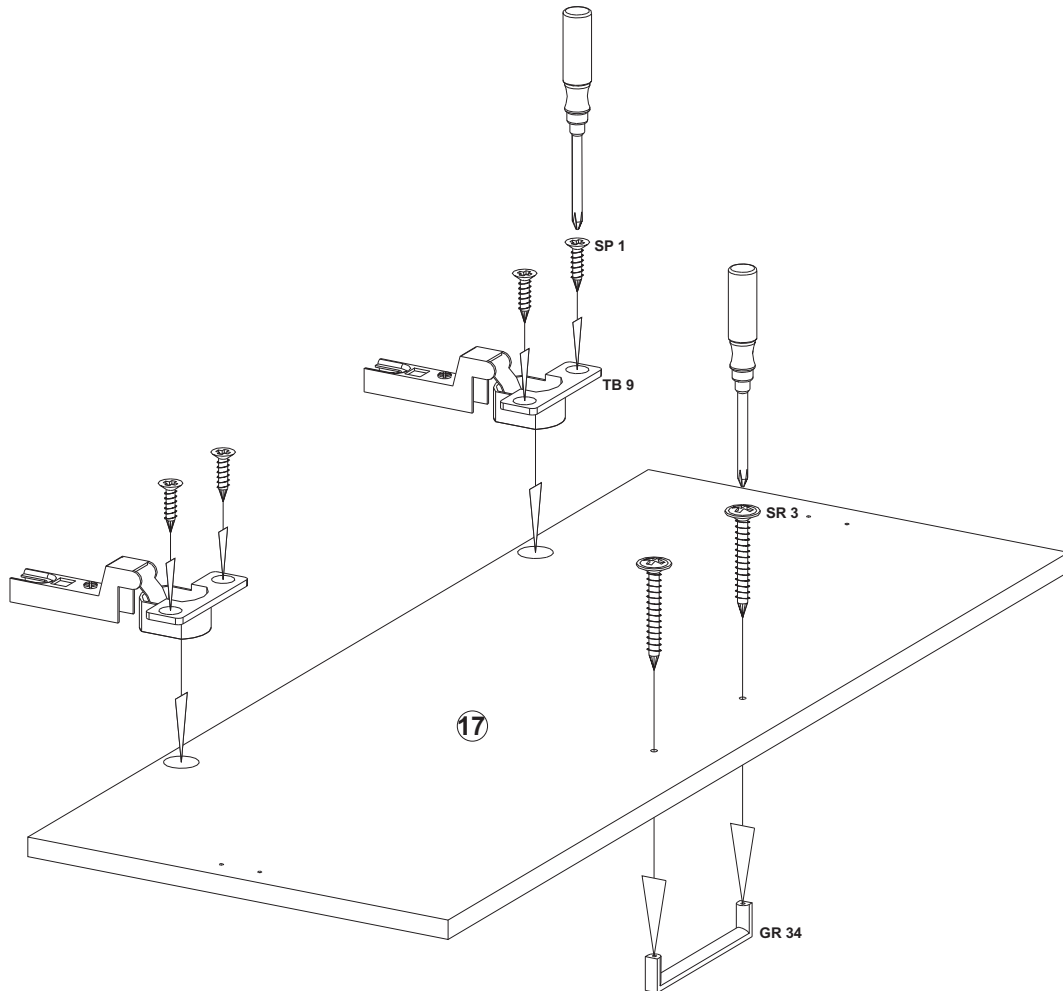
**3**



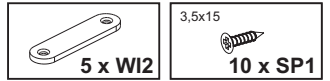


# H

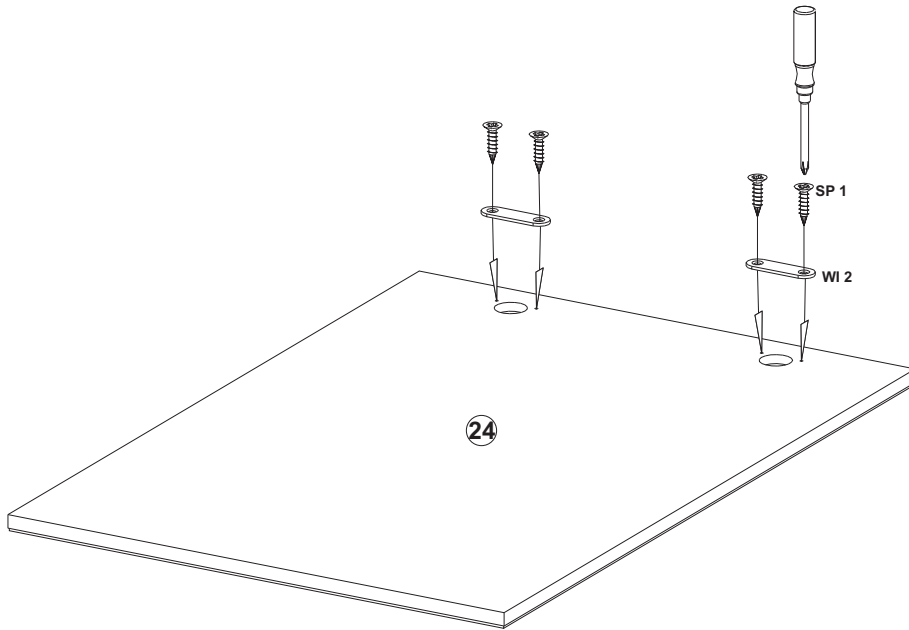
- |                                                                                                |                                                                                                           |                                                                                                |                                                                                                          |
|------------------------------------------------------------------------------------------------|-----------------------------------------------------------------------------------------------------------|------------------------------------------------------------------------------------------------|----------------------------------------------------------------------------------------------------------|
| <br>1 x GR34 | <br>4,0x30<br>2 x SR 3 | <br>2 x TB9 | <br>3,5x15<br>4 x SP1 |
|------------------------------------------------------------------------------------------------|-----------------------------------------------------------------------------------------------------------|------------------------------------------------------------------------------------------------|----------------------------------------------------------------------------------------------------------|



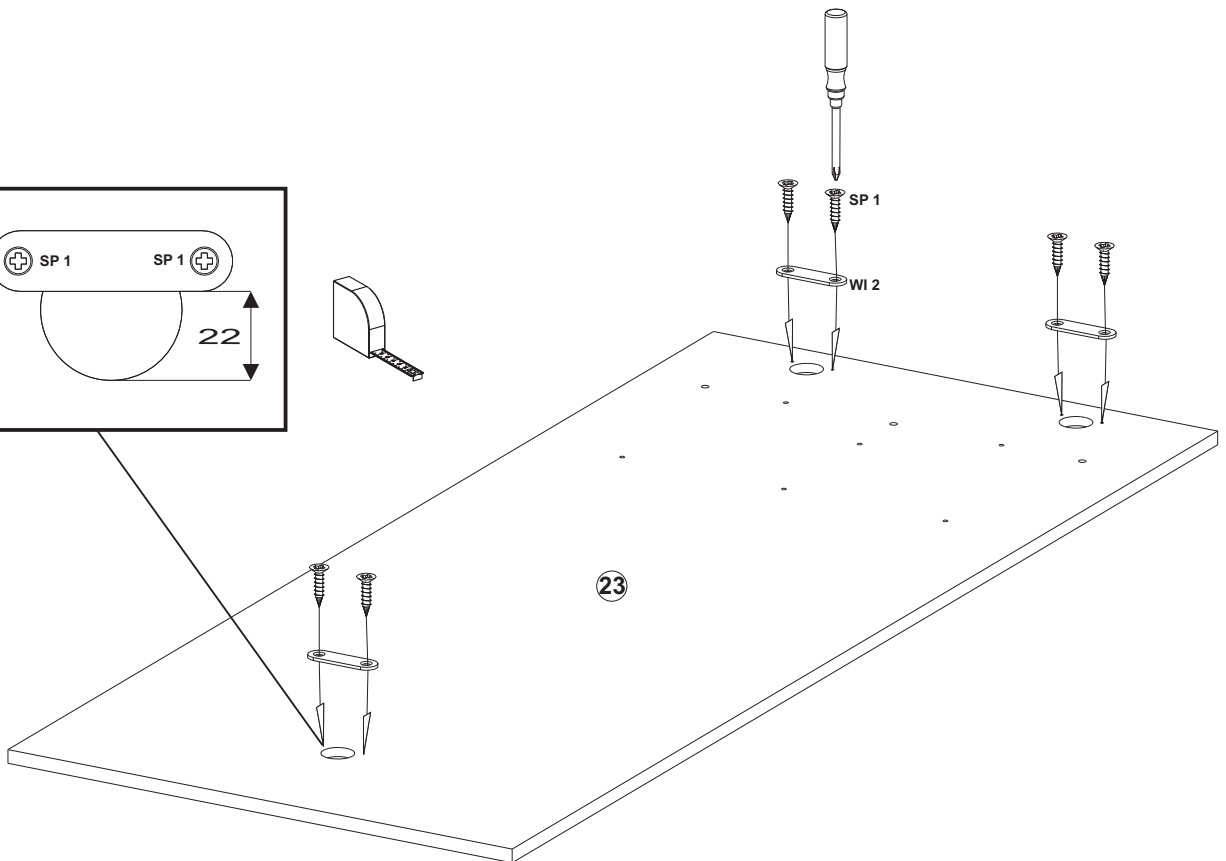
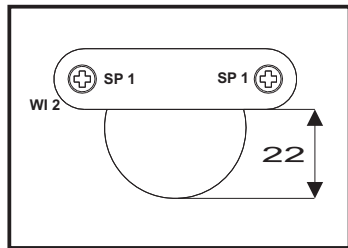
I



1

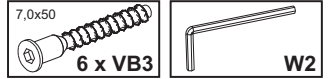


2

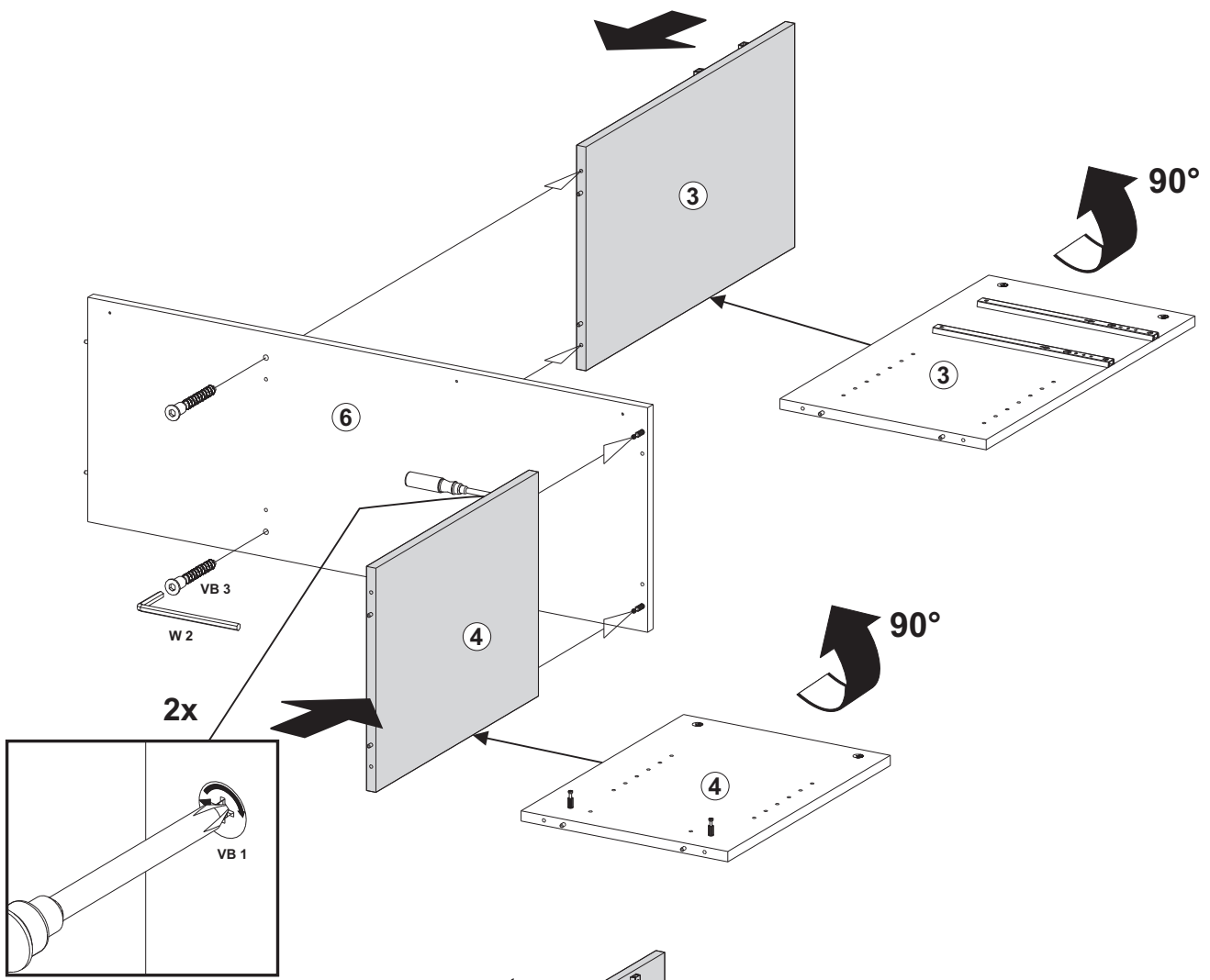


180°

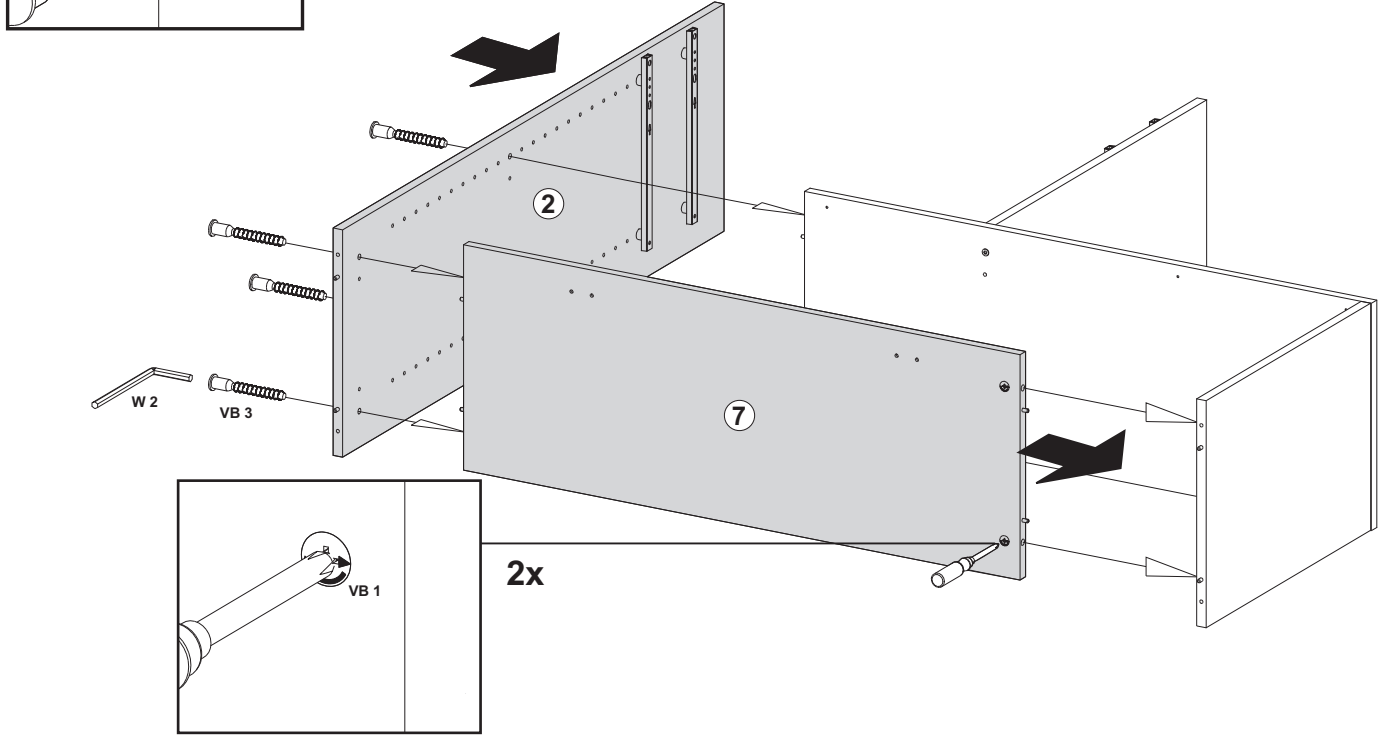
# J



# 1

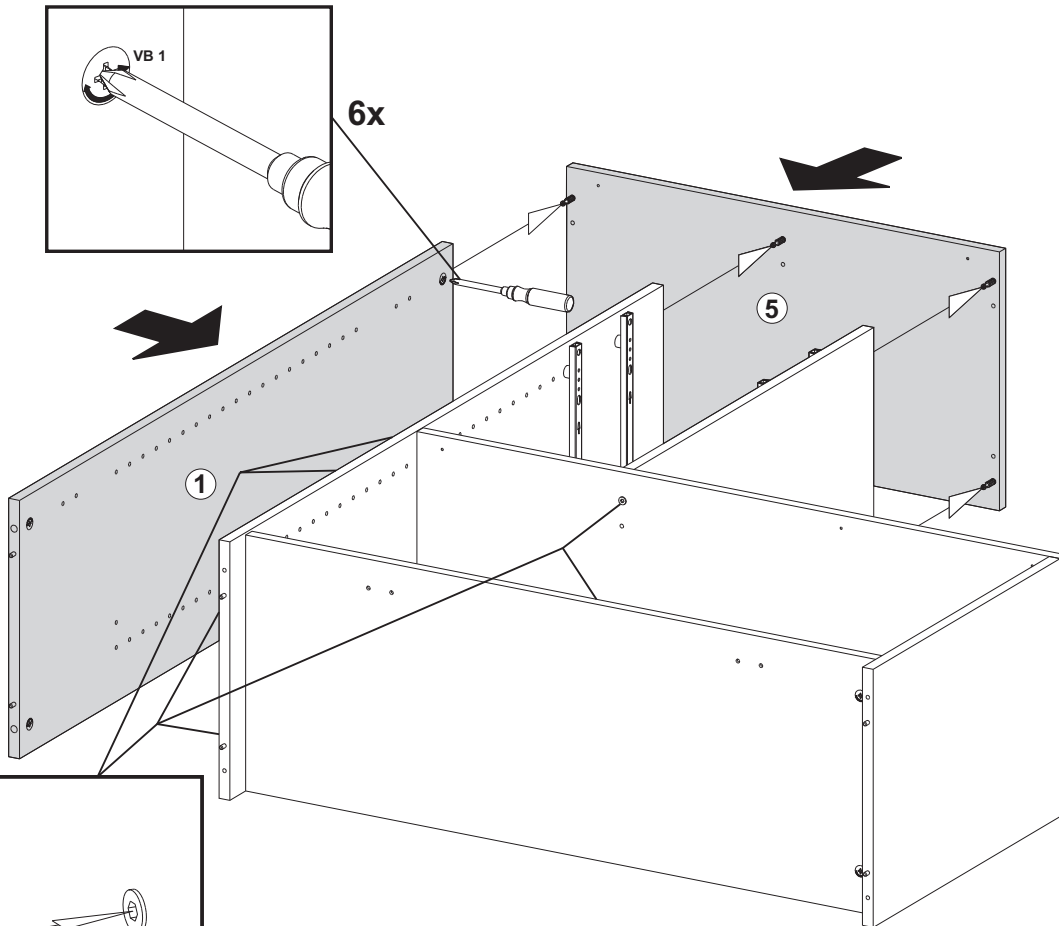


# 2

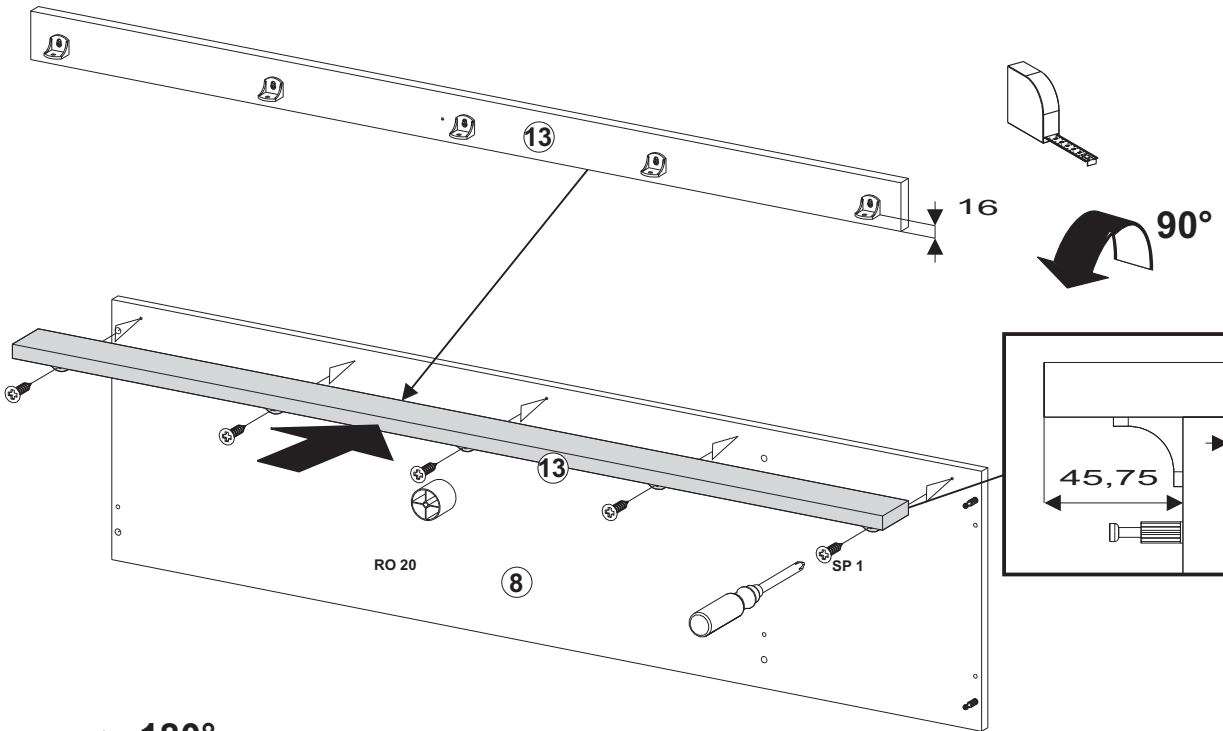
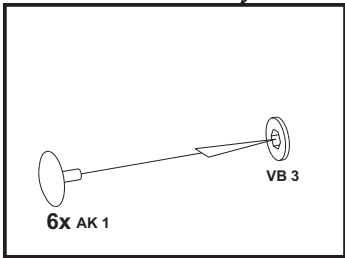


# K

6 x AK1



# 1



# 2

# 3

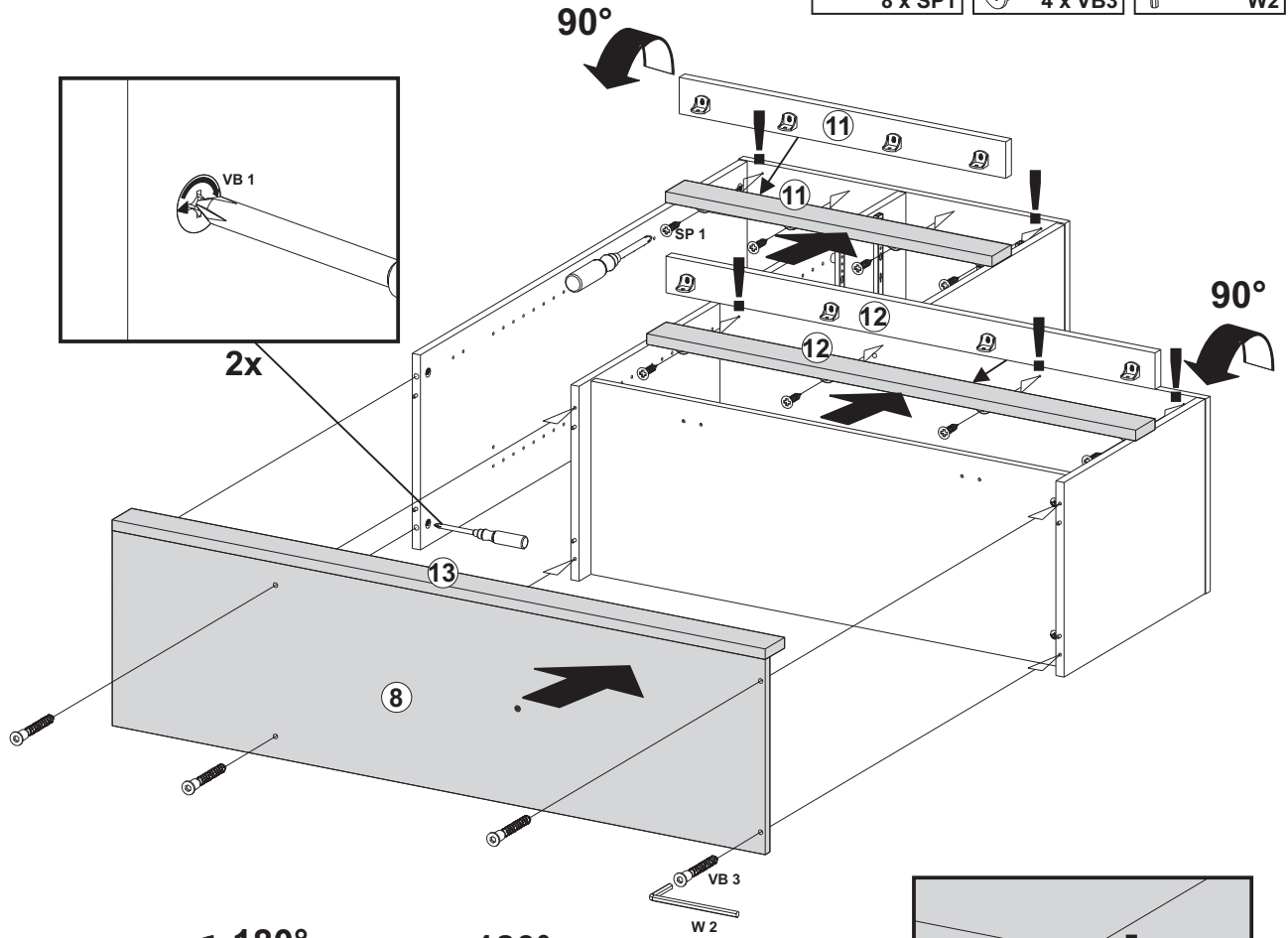


L

3,5x15  
8 x SP1

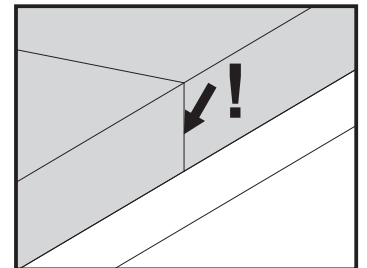
7,0x50  
4 x VB3

W2

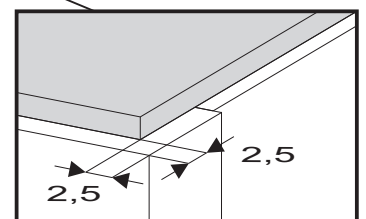
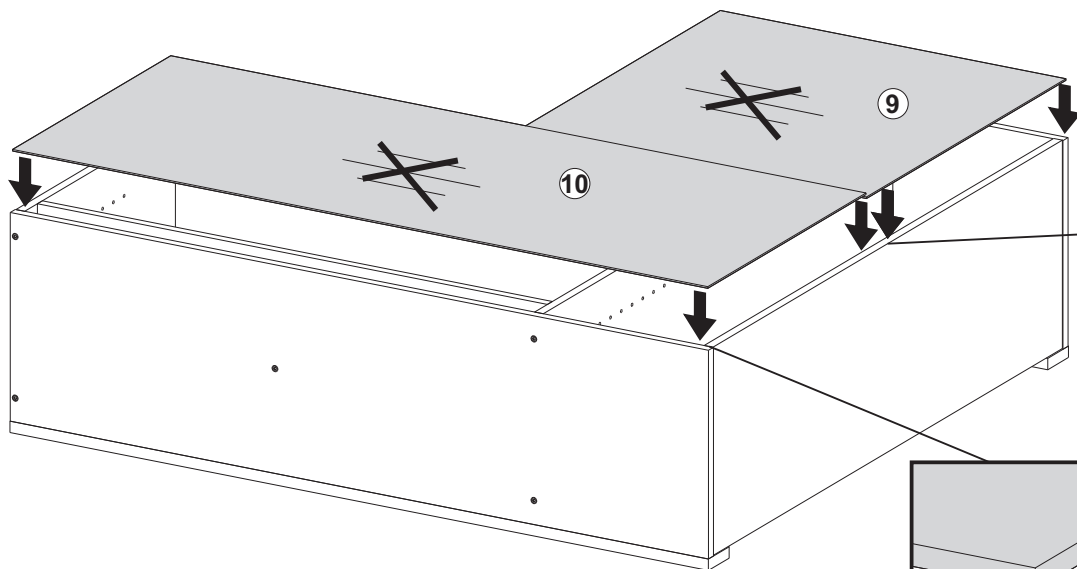


1

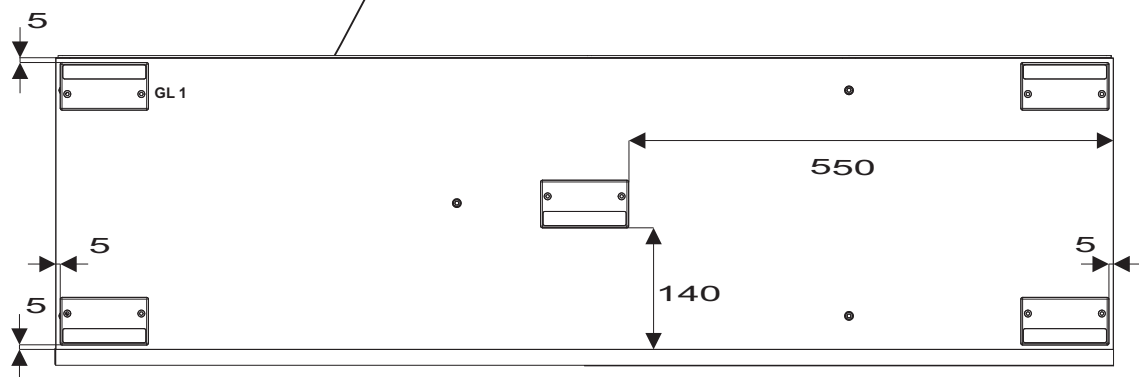
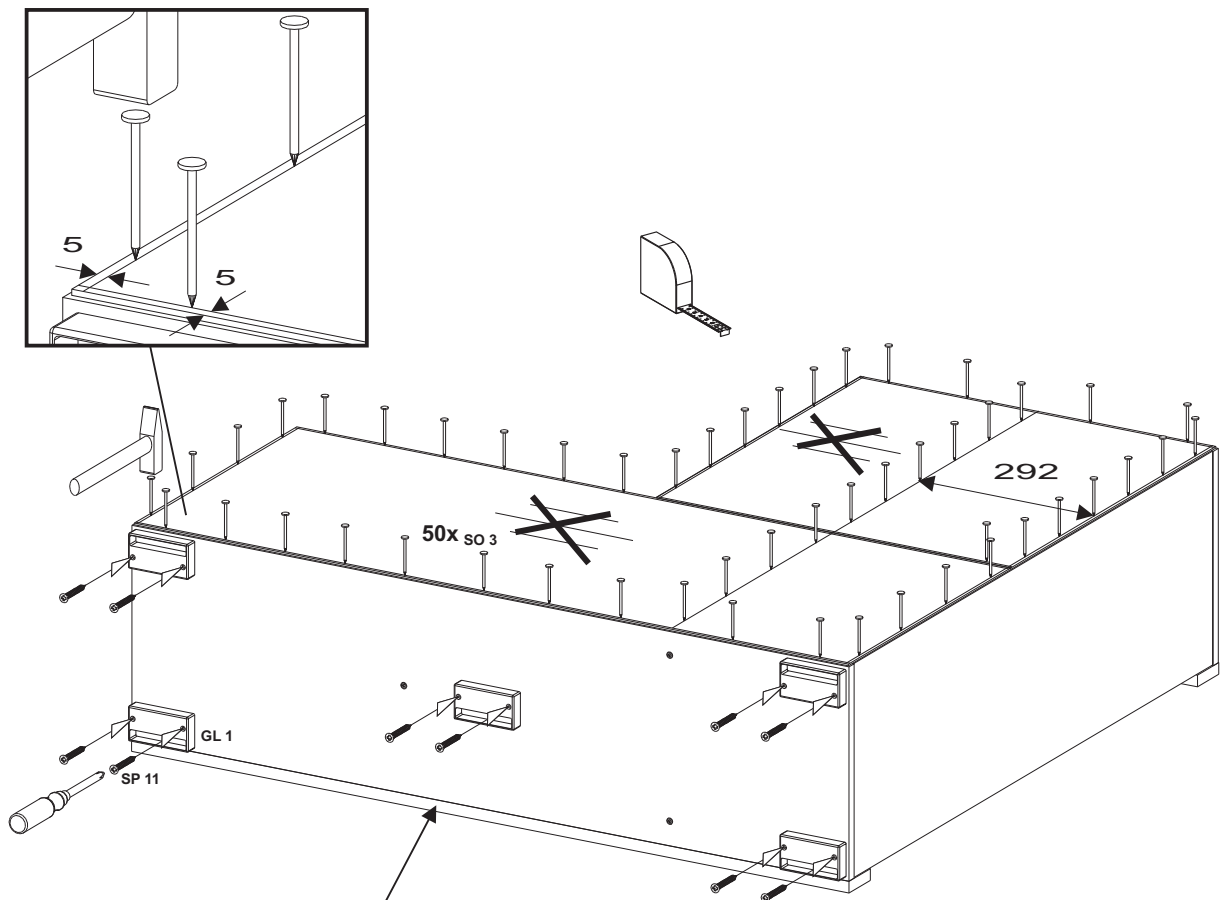
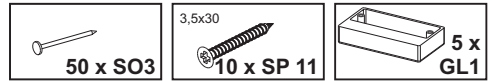
2



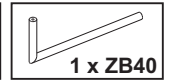
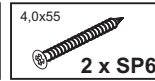
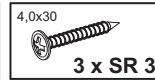
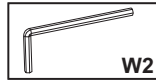
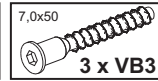
3



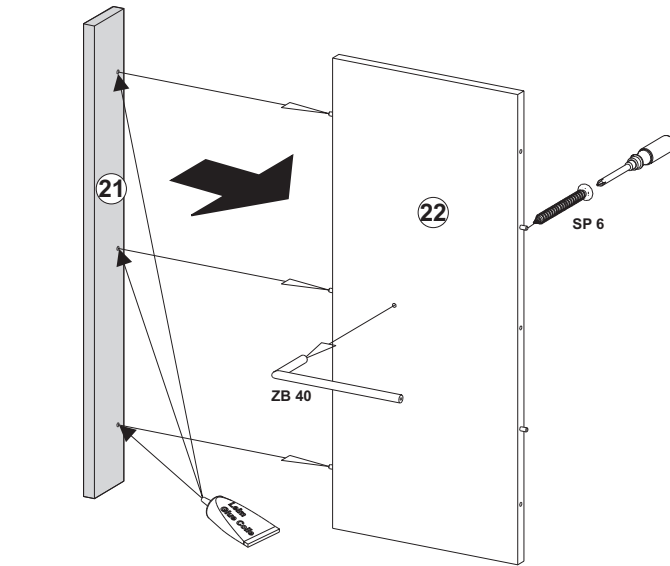
# M



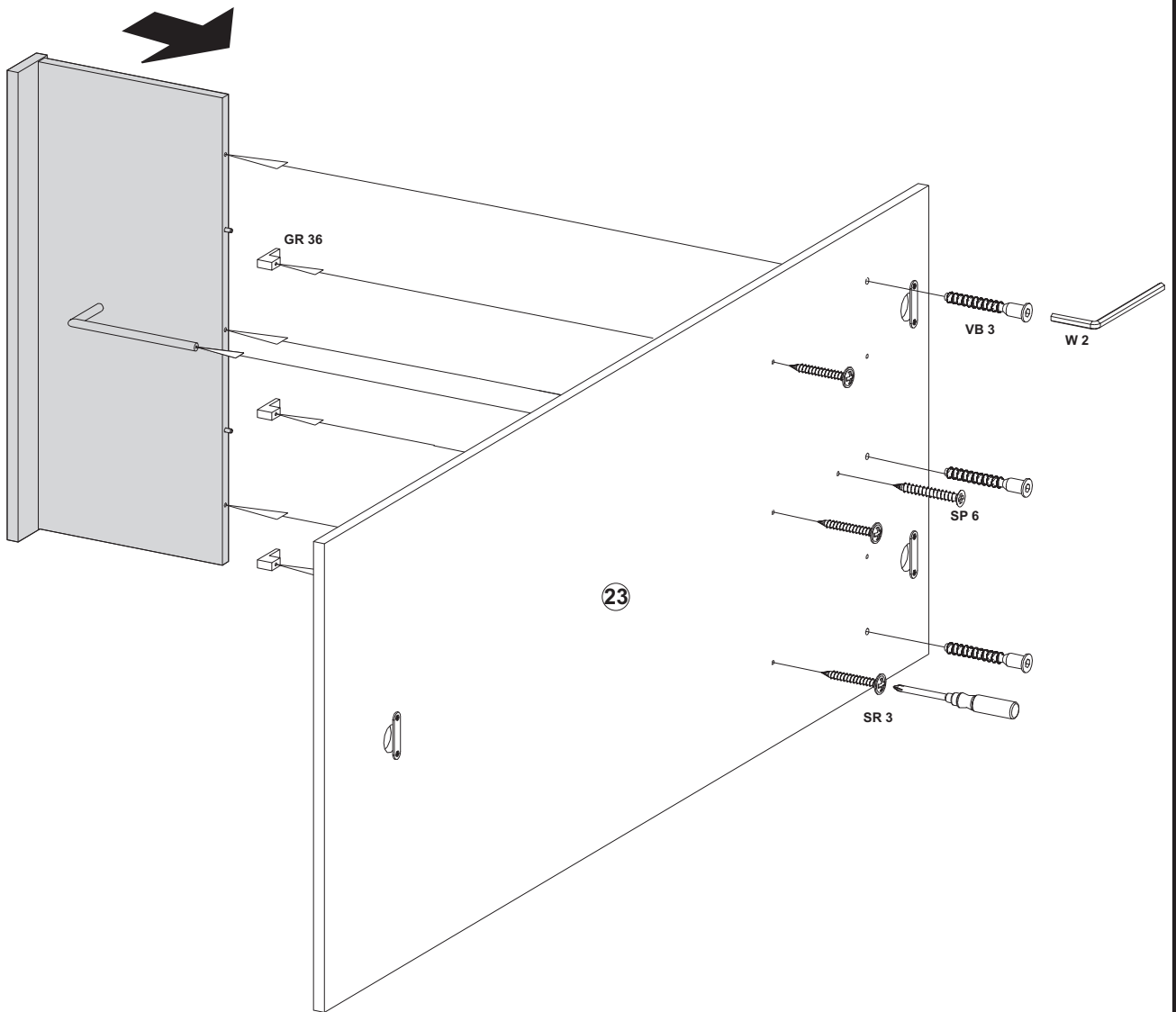
## N



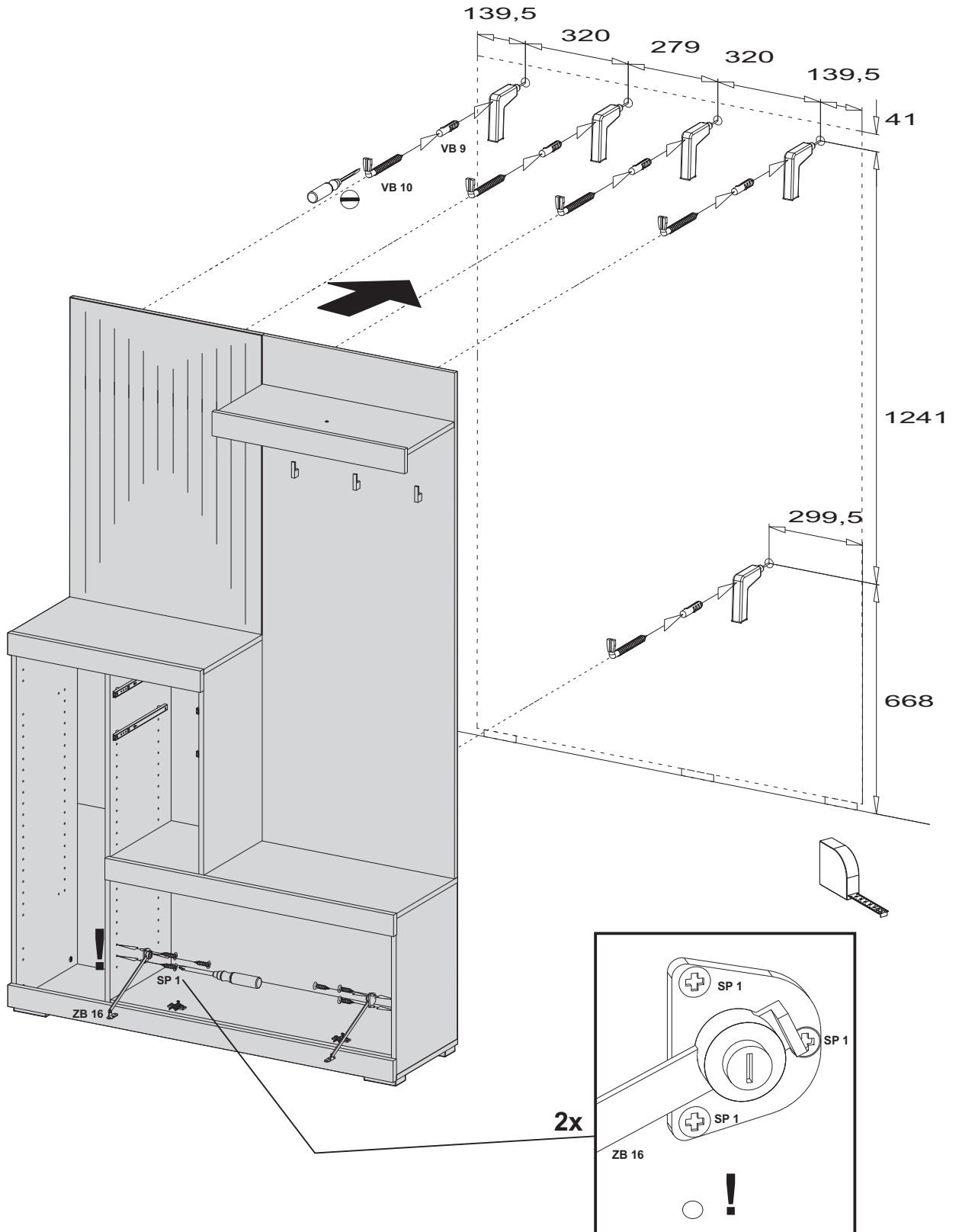
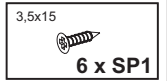
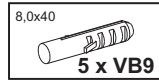
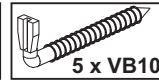
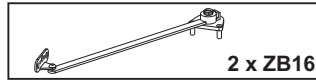
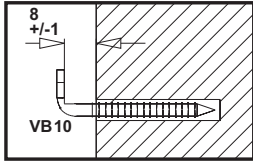
### 1



### 2



O

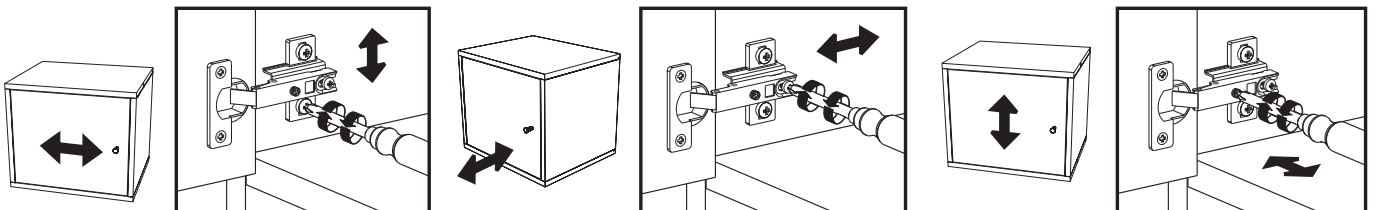
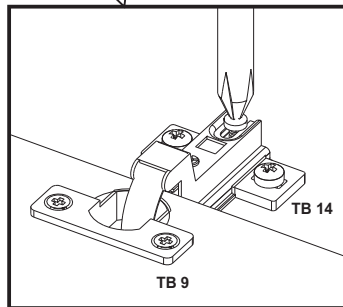
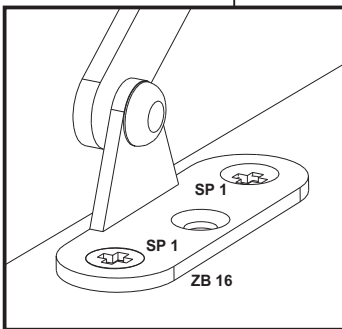
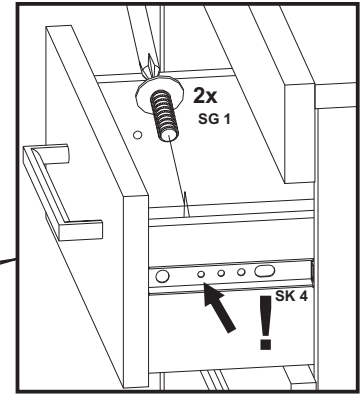
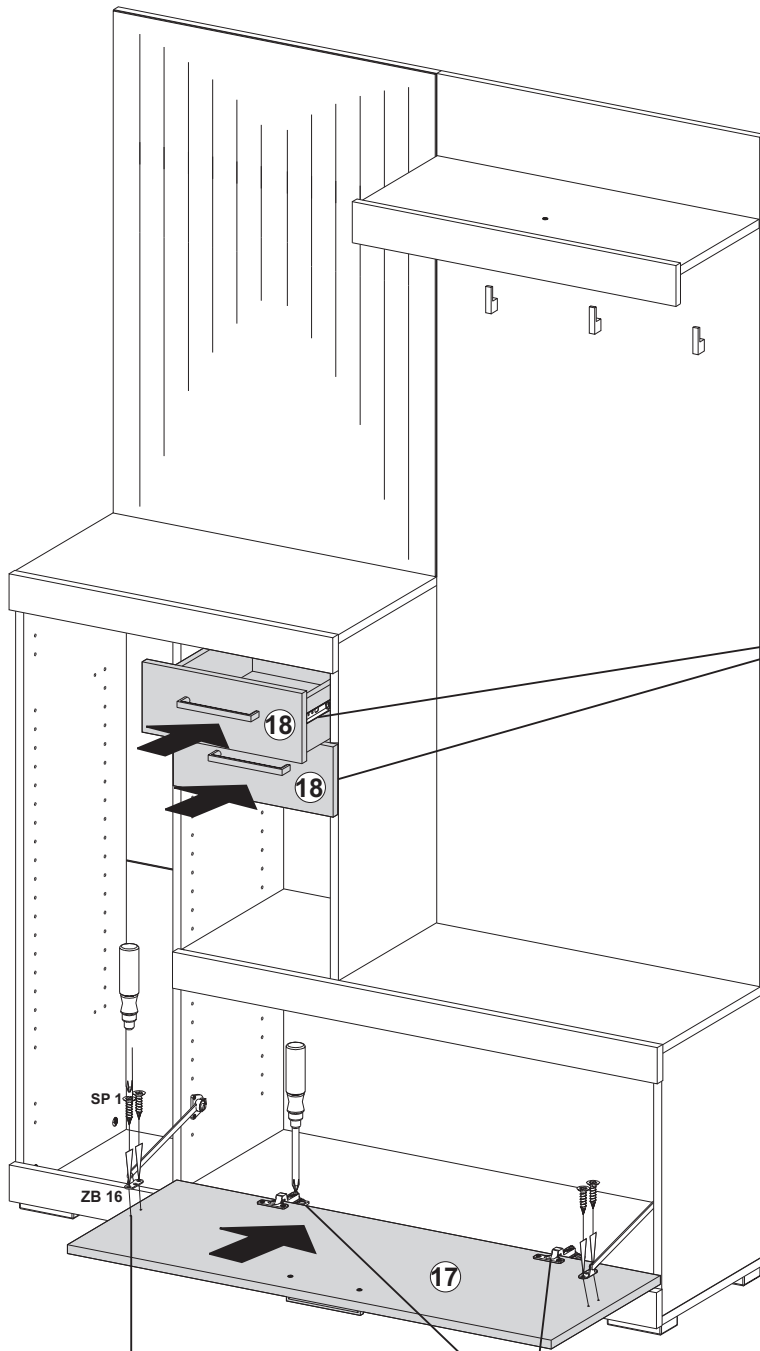




**P**

3,5x15  
4 x SP1

M4x8  
4 x SG1



# R



6 x AK3

