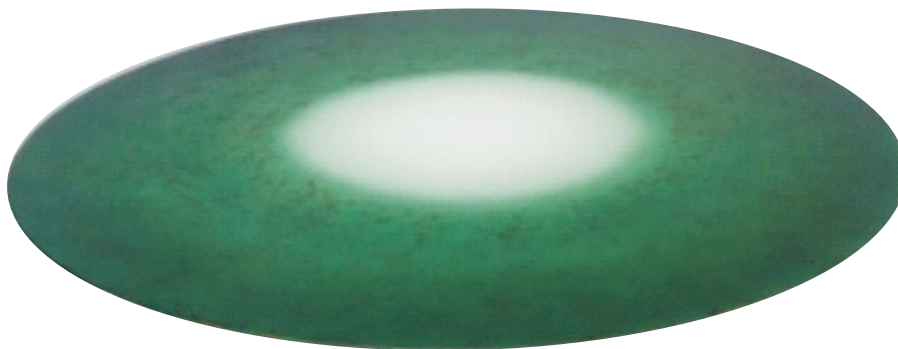
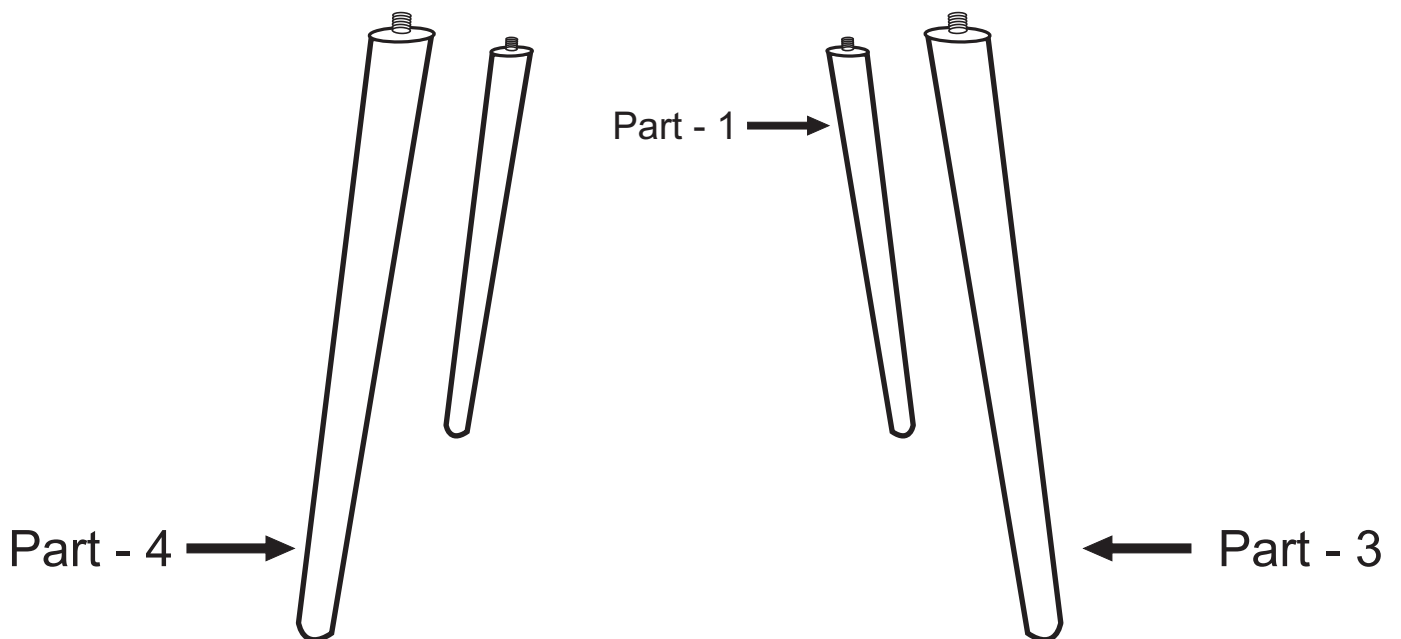


ASSEMBLY INSTRUCTION

SAMPLE

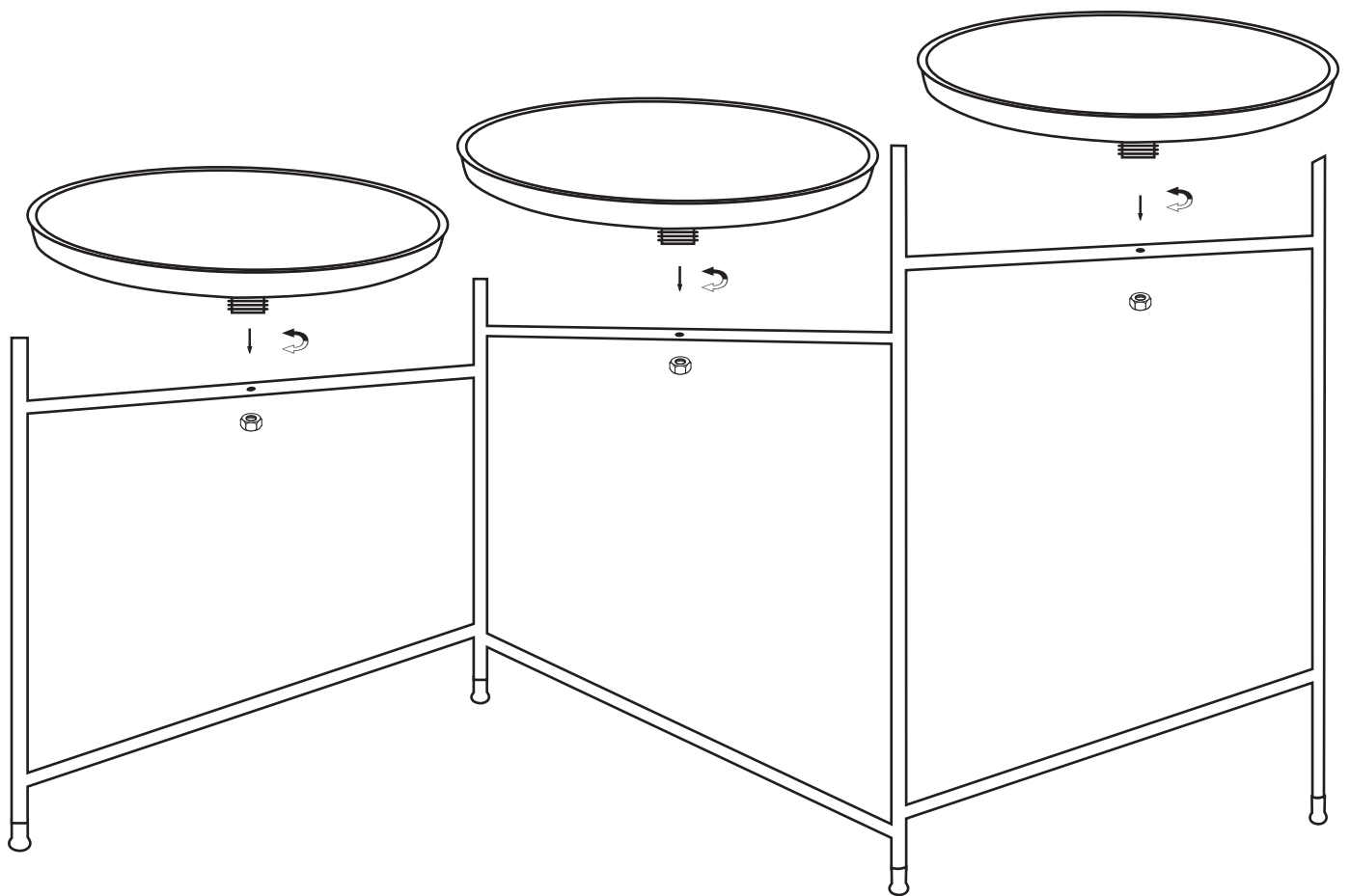


←
Part - 5
TABLE TOP



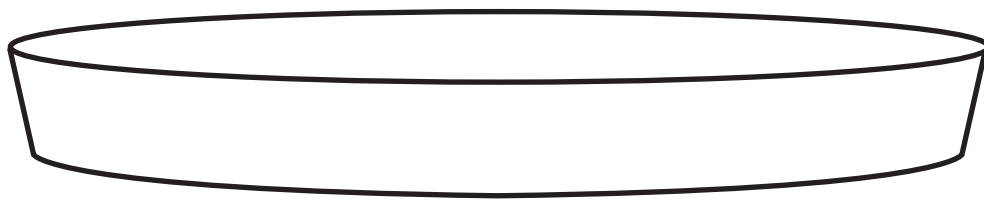
NOTE :- KINDLY TIGHT THE SCREW PROPERLY.

ASSEMBLY INSTRUCTION

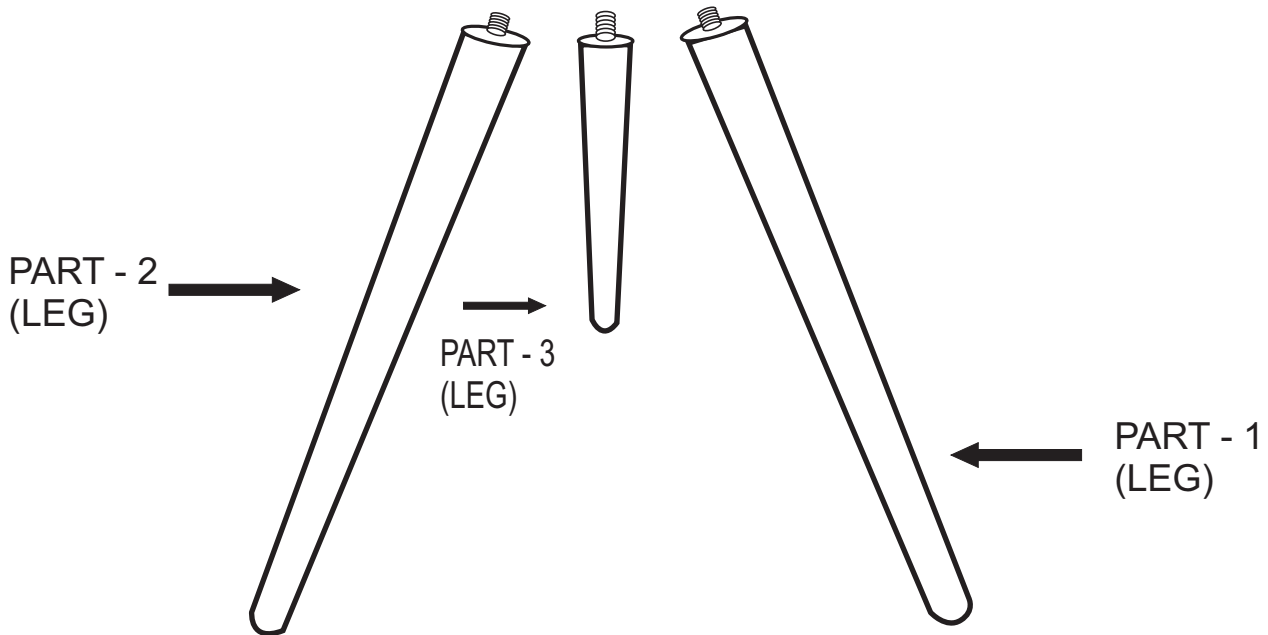


NOTE :- PLEASE PLACE THE TRAY ON THE STAND.

ASSEMBLY INSTRUCTION



PART - 4
(TOP)



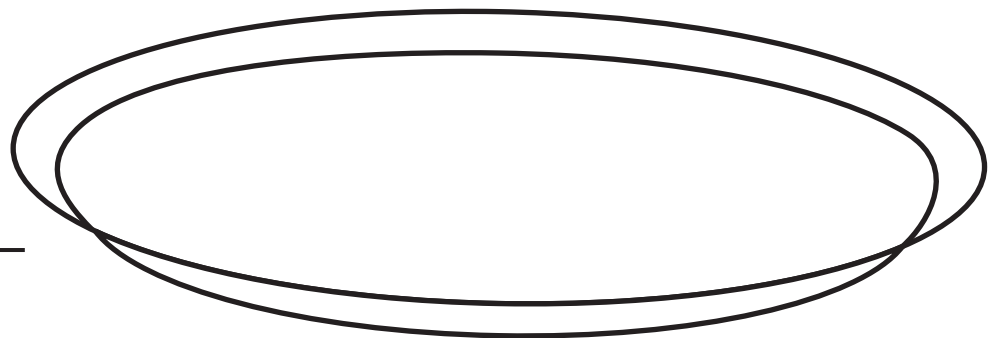
NOTE :- KINDLY TIGHT THE SCREW PROPERLY.

ASSEMBLY INSTRUCTION



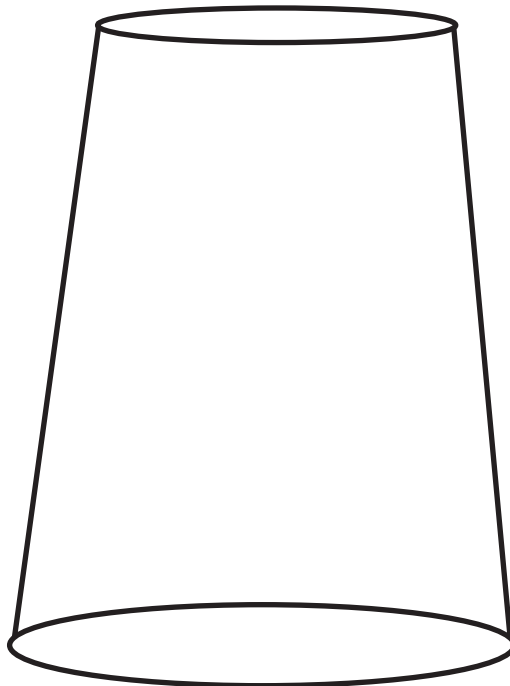
ORIGINAL

Part - B —



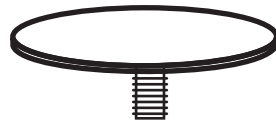
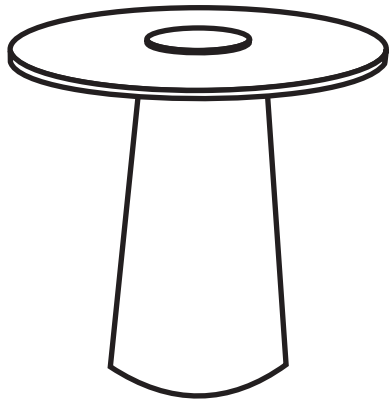
SCREW ↻

Part - A —

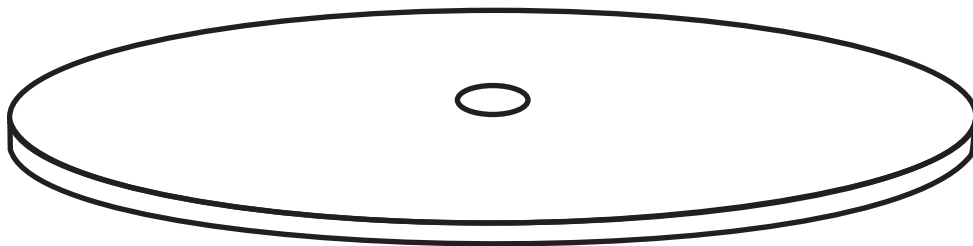


NOTE :- KINDLY TIGHT THE SCREW PROPERLY.

ASSEMBLY INSTRUCTION

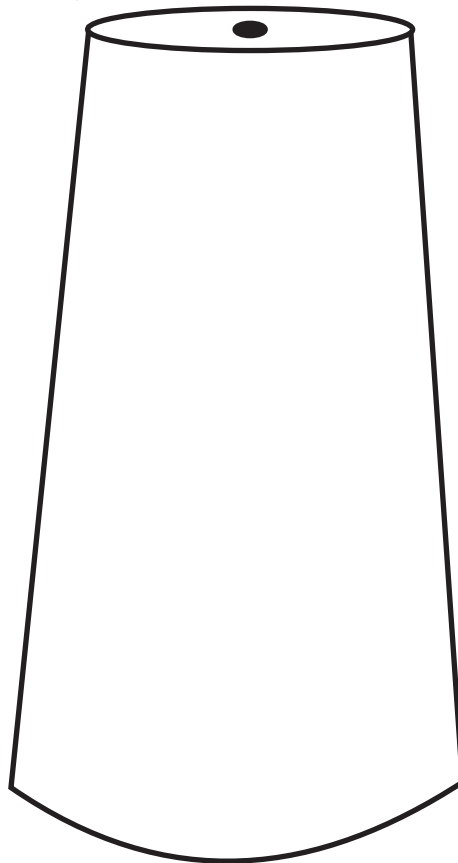


← Part 3
Studs



← Part 2
Top

SCREW → ↻



← PART -1
BASE

NOTE :- KINDLY TIGHT THE SCREW PROPERLY.