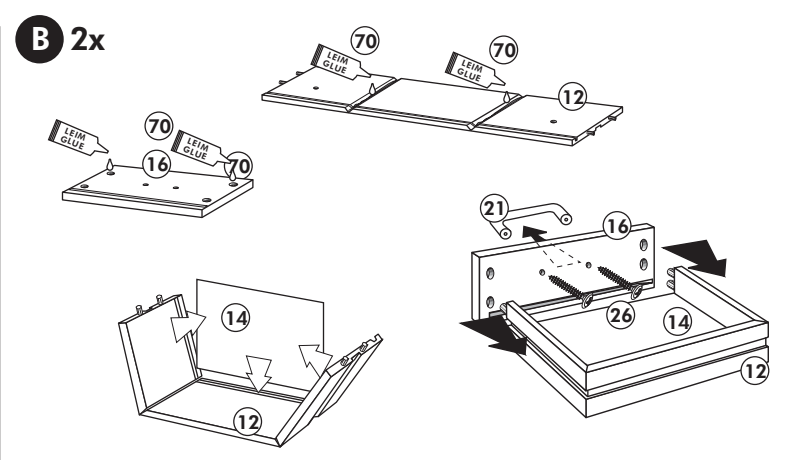
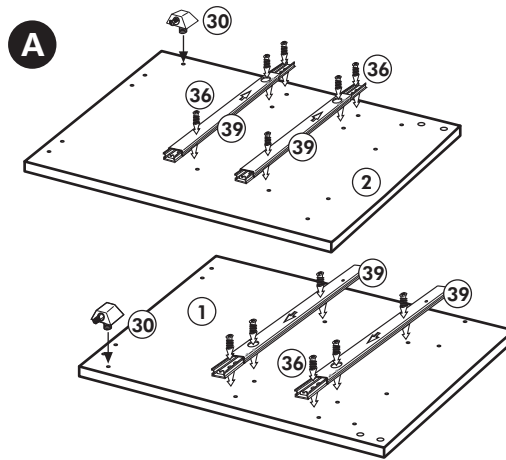
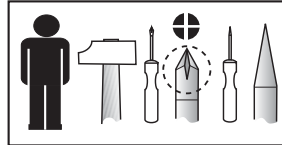


Unterschrank für Kochfeld

Nr. 011 Rev.00



| | | | | | |
|-------|-------|-----------|-----|-----|-----|
| 1x 1 | 1x 2 | 21 | 2x | 22 | 4x |
| 1x 5 | 1x 8 | 36 | 12x | 23 | 4x |
| 1x 40 | 1x 7 | 39 | 4x | 27 | 24x |
| 1x 41 | 1x 38 | 70 | 1x | 26 | 4x |
| 2x 16 | 1x 12 | LEIM GLUE | | 30 | 2x |
| 1x 14 | 1x 3 | | | 29 | 2x |
| | | | | 45 | 4x |
| | | | | 63 | 4x |
| | | | | 106 | 4x |

