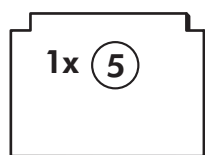
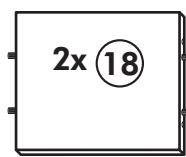
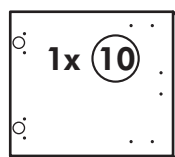
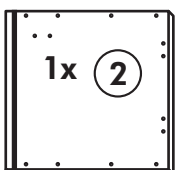
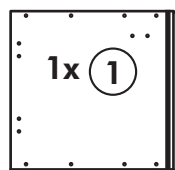
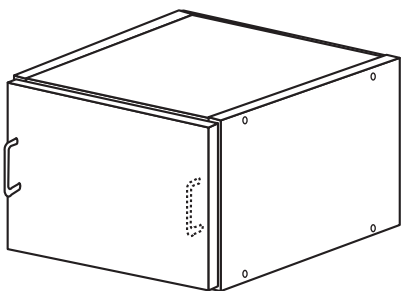
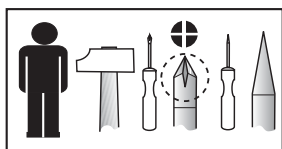


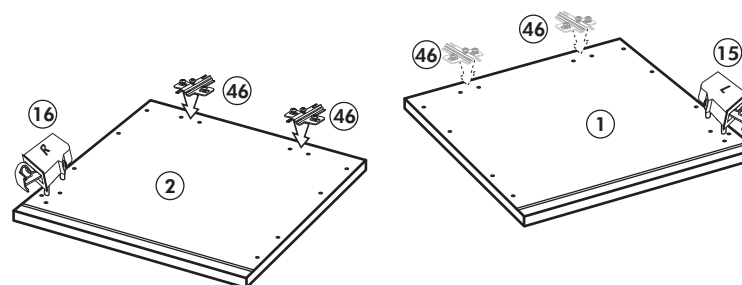
Kurzhängeschrank

Nr. 104 Rev.00

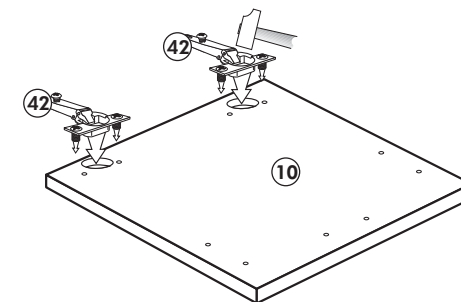


| | |
|----------------------------|---------------------------------------|
| 68 2x | 23 8x Ø 3 |
| 60 2x Ø 5 | 27 8x 3,0 x 20 |
| 22 8x | 26 2x 4,0 x 30 M4 |
| 21 1x | 15 1x |
| 42 2x | 16 1x |
| 46 2x | 69 2x |

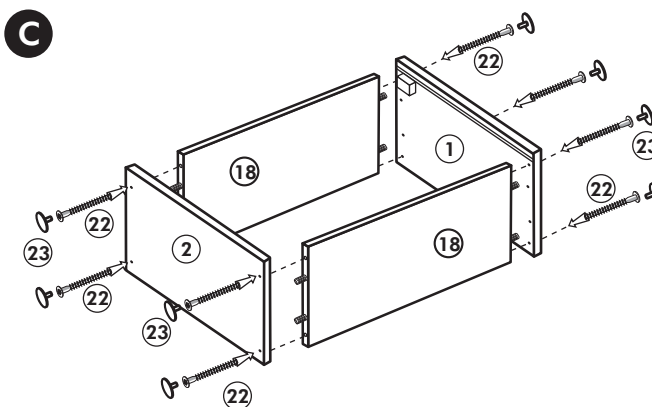
A



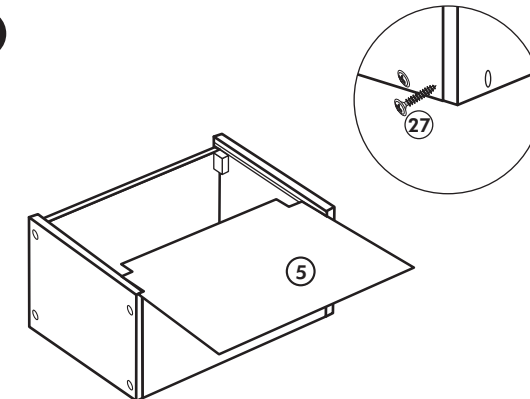
B



C



D



E

