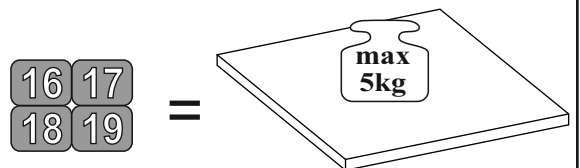
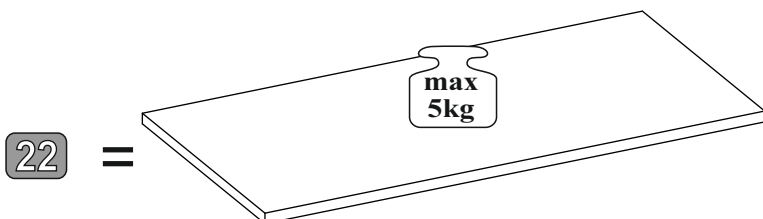
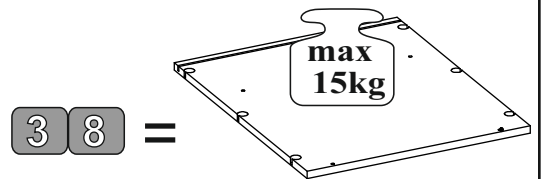
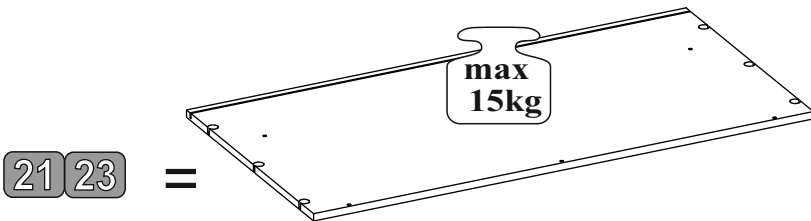
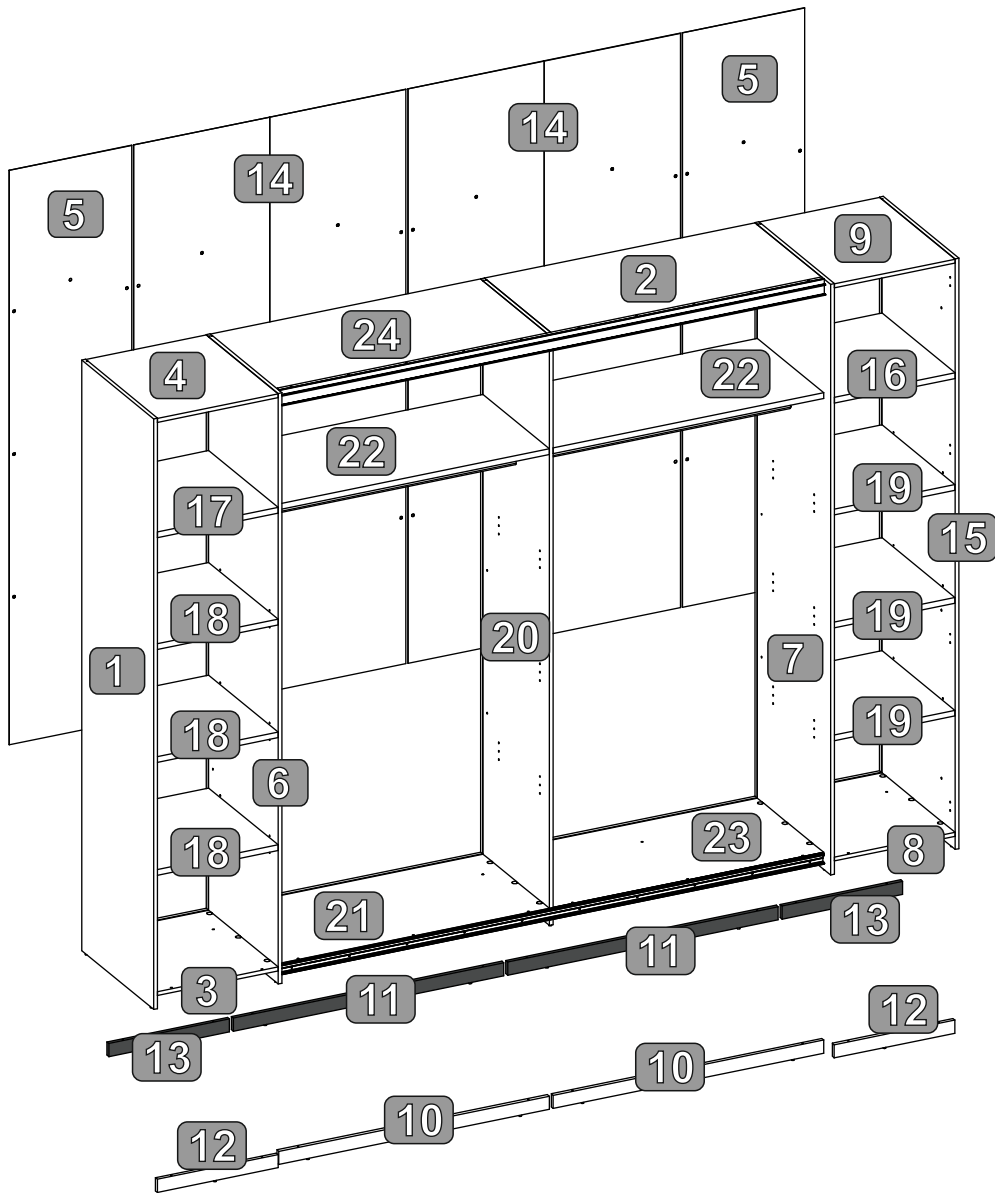
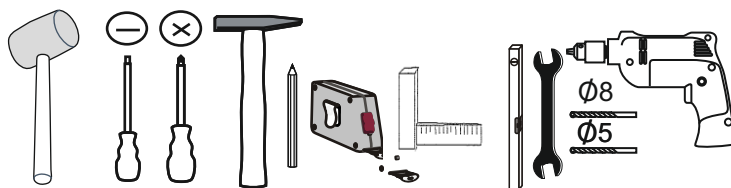
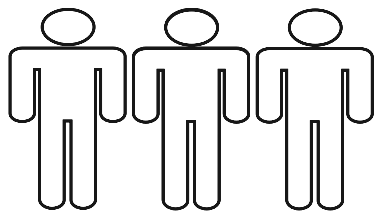



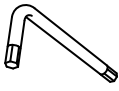
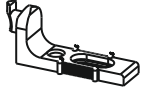


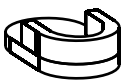


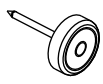


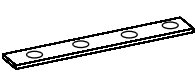
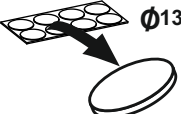


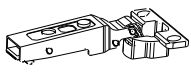
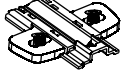







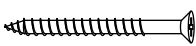

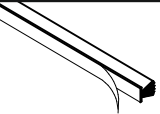
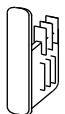

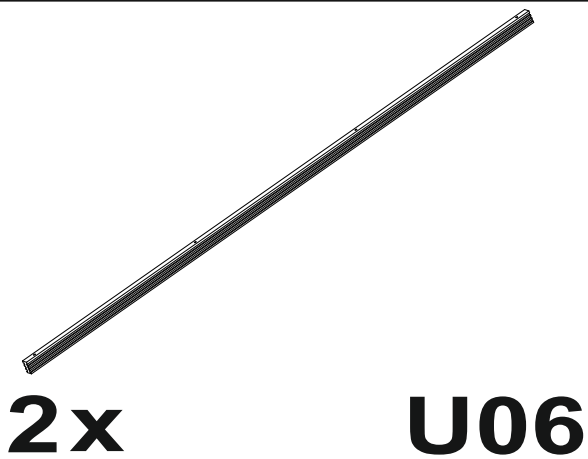


NR	DIM	QTE	COLLI
1	2250x560x15	1	1/8
2	827,5x535x15	1	1/8
3	469,5x560x15	1	1/8
4	469,5x560x15	1	1/8
5	2188x476x2	2	1/8
6	2250x560x15	1	1/8
7	2250x588x15	1	2/8
8	469,5x588x15	1	2/8
9	469,5x588x15	1	2/8
10	827,5x50x15	2	2/8
11	827,5x50x15	2	2/8
12	469,5x50x15	2	2/8
13	469,5x50x15	2	2/8
14	2188x834x2	2	2/8
15	2250x588x15	1	2/8
16	469,5x569x22	1	3/8
17	469,5x541x22	1	3/8
18	469,5x540x22	3	3/8
19	469,5x568x22	3	3/8
20	2249x535x15	1	3/8
21	827,5x535x15	1	4/8
22	827,5x516x22	2	4/8
23	827,5x535x15	1	4/8
24	827,5x535x15	1	4/8
25	2200x496x15	1	6/8
26	2200x496x15	1	6/8
27	850x550x15	4	7/8;8/8
28	850x550x15	4	7/8;8/8

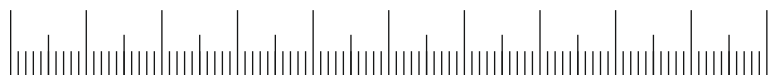


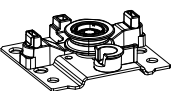
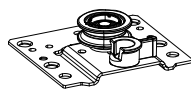


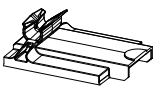
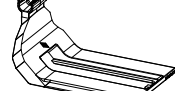
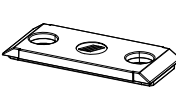
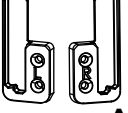
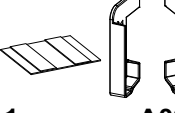
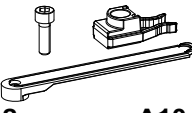



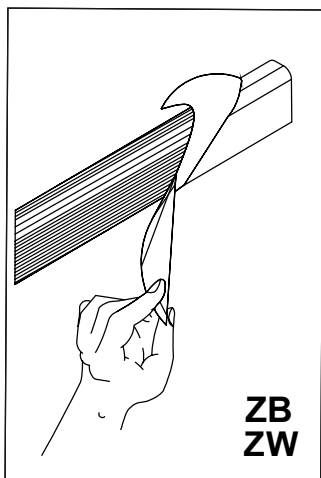
 48x T05	 48x T04	 20x W16	 1x K02	 30x R02	 2x W07	 44x R01
 4x E03	 136x W02	 24x W12	 22x S01	 8x W09	 2x J01	 18x W08
 20x C02	 4x Z04	 4x Z02	 4x Z22	 4x Z21	 24x E01	 16x W30
 8x W05	 24x E09	 30x W20	 24x W10	 2x F01	 2x F11	 2x F13
 3x Sz1	 6x ZA2	 1x K03				



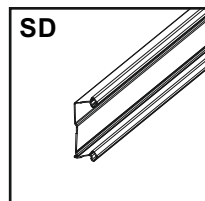
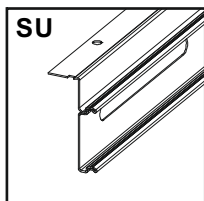
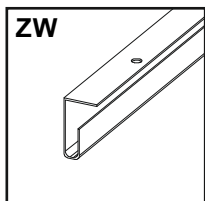
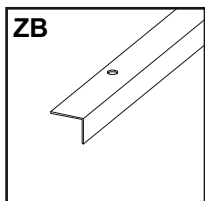
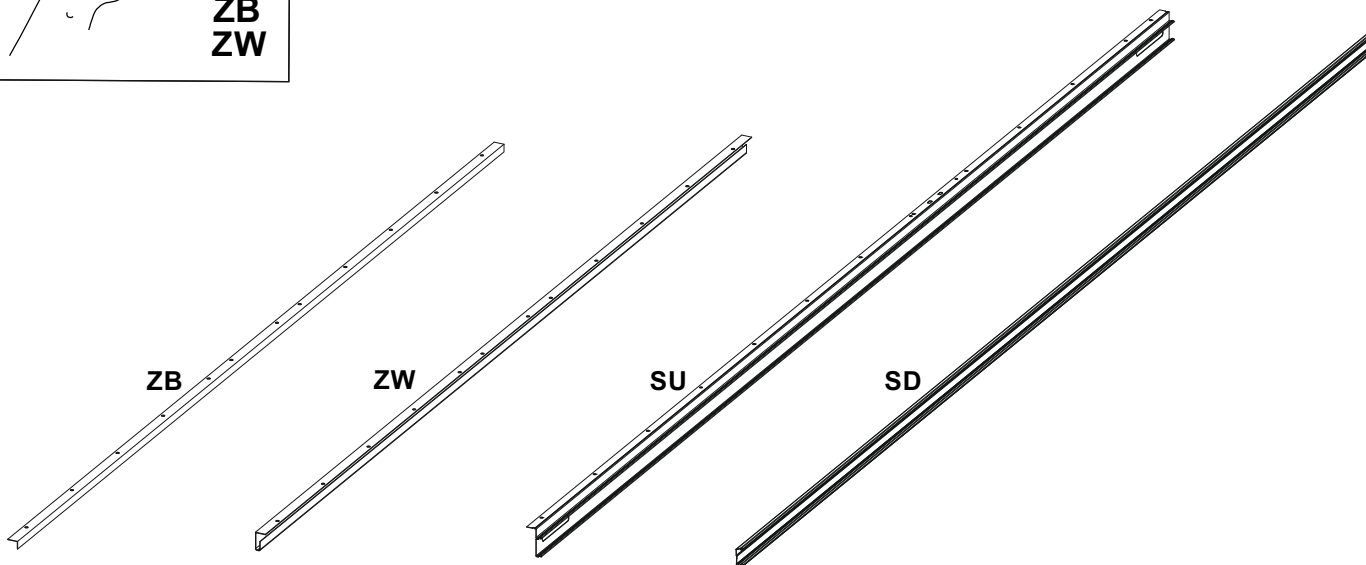
0 10 20 30 40 50 60 70 80 90 100



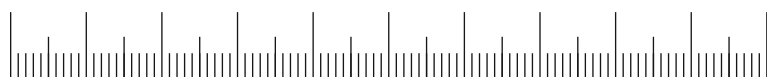
 1x A01	 1x A02	 1x A03	 1x A04	 2x A05	 2x A06	 4x A07
 1x A08	 1x A09	 2x A10	 4x W30			



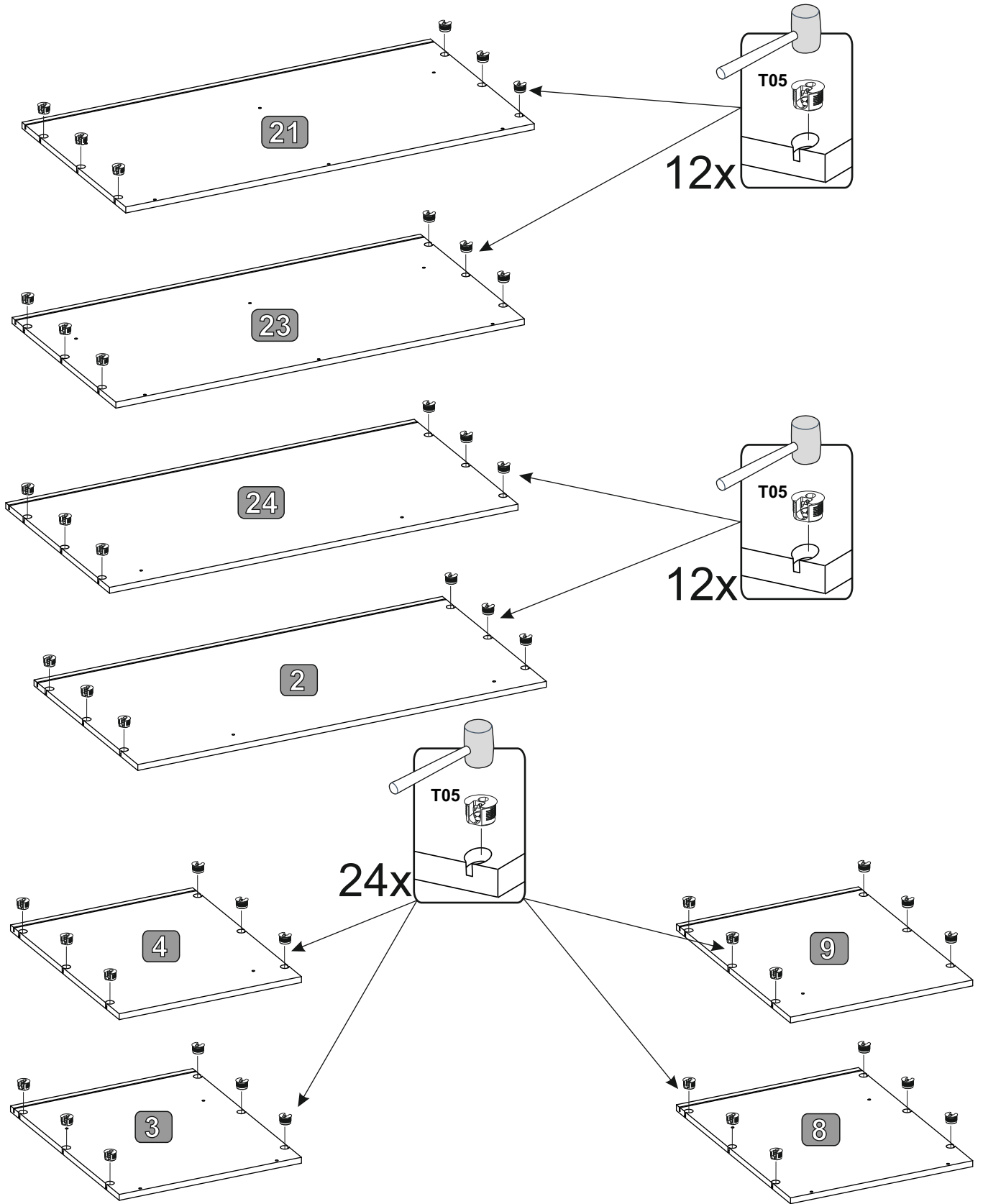
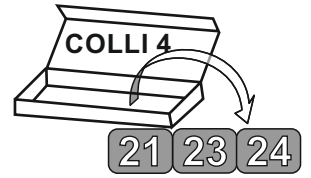
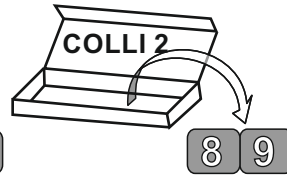
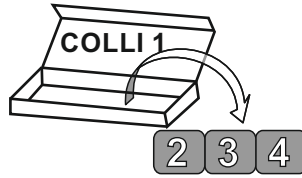
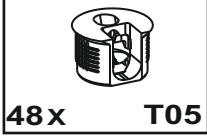
NR	DIM	QTE	COLLI
ZB	L-2200	1	5/8
ZW	L-2200 H-37	3	5/8
SU	L-1668	1	5/8
SD	L-1664	1	5/8



0 10 20 30 40 50 60 70 80 90 100



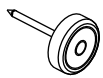
# 1





# 4

2x



S01

6x



T04

3 x



E09

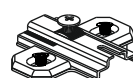
3x



6x8

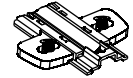
W10

2x

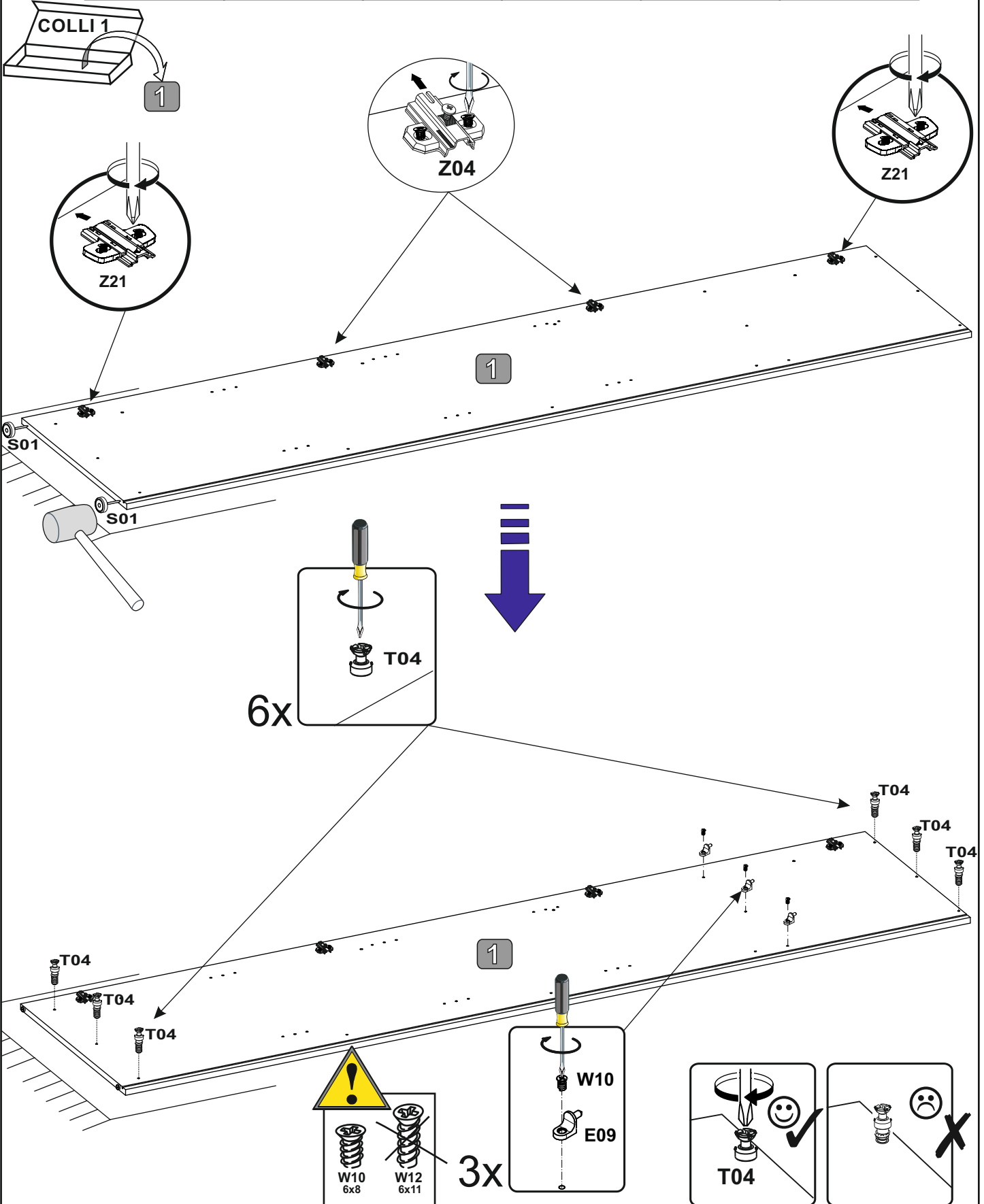


Z04

2x



Z21





## 5

2x



S01

12x



T04

1x



E03

2x

3,5x13



W02

6x



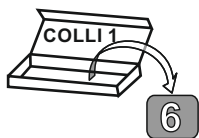
E09

6x

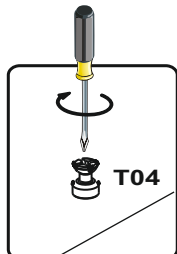
6x8



W10

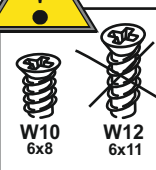
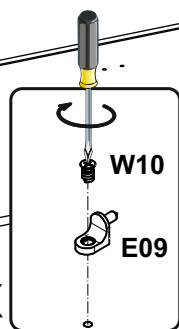


6x

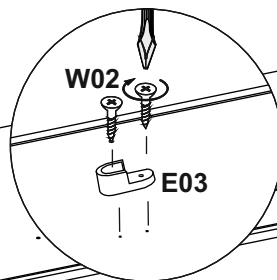


6

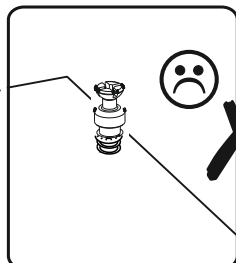
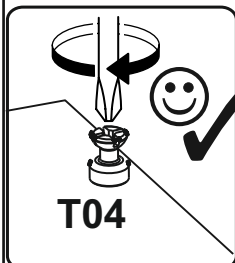
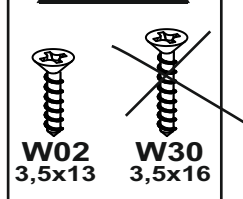
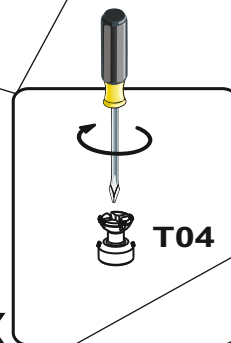
6x

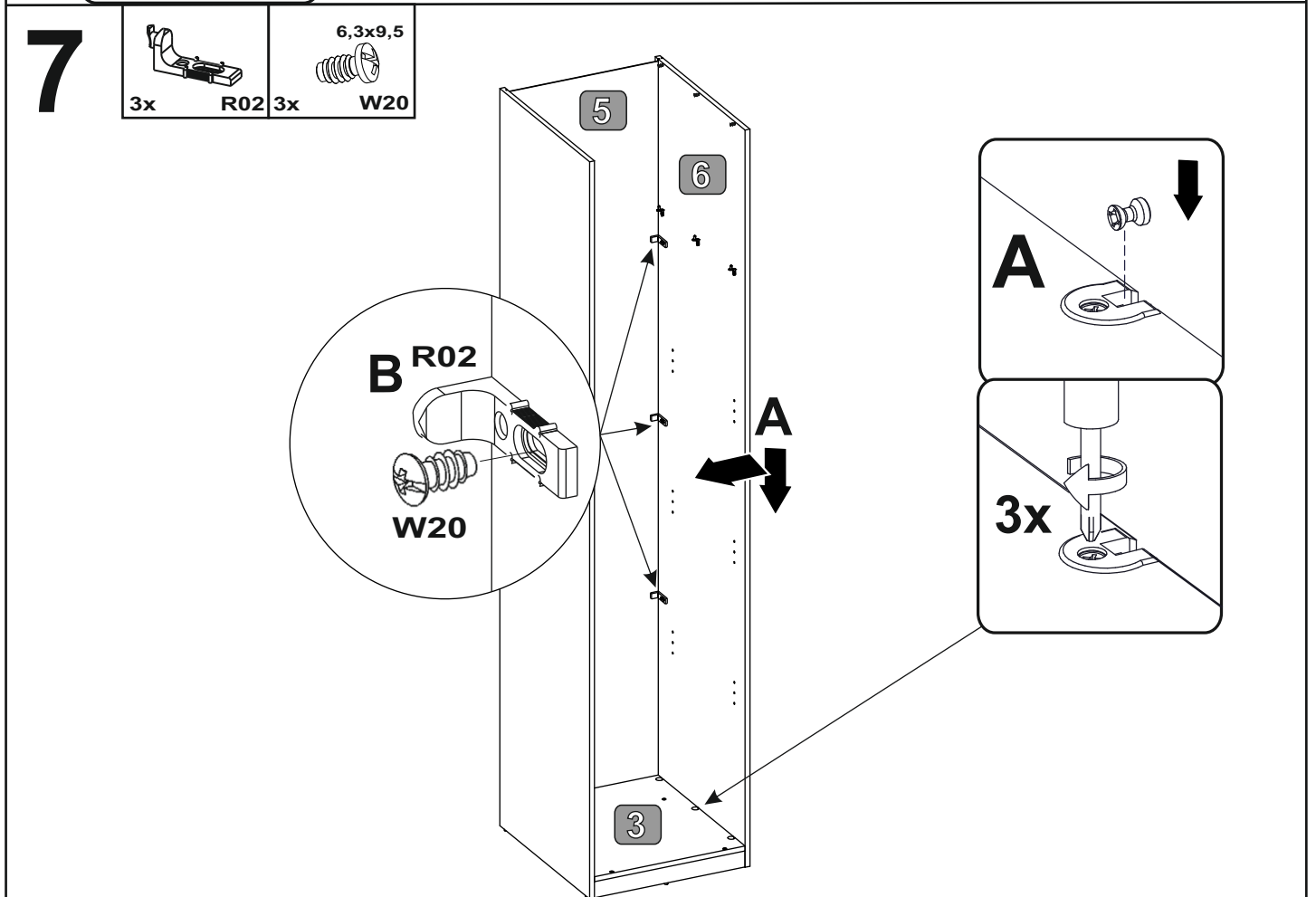
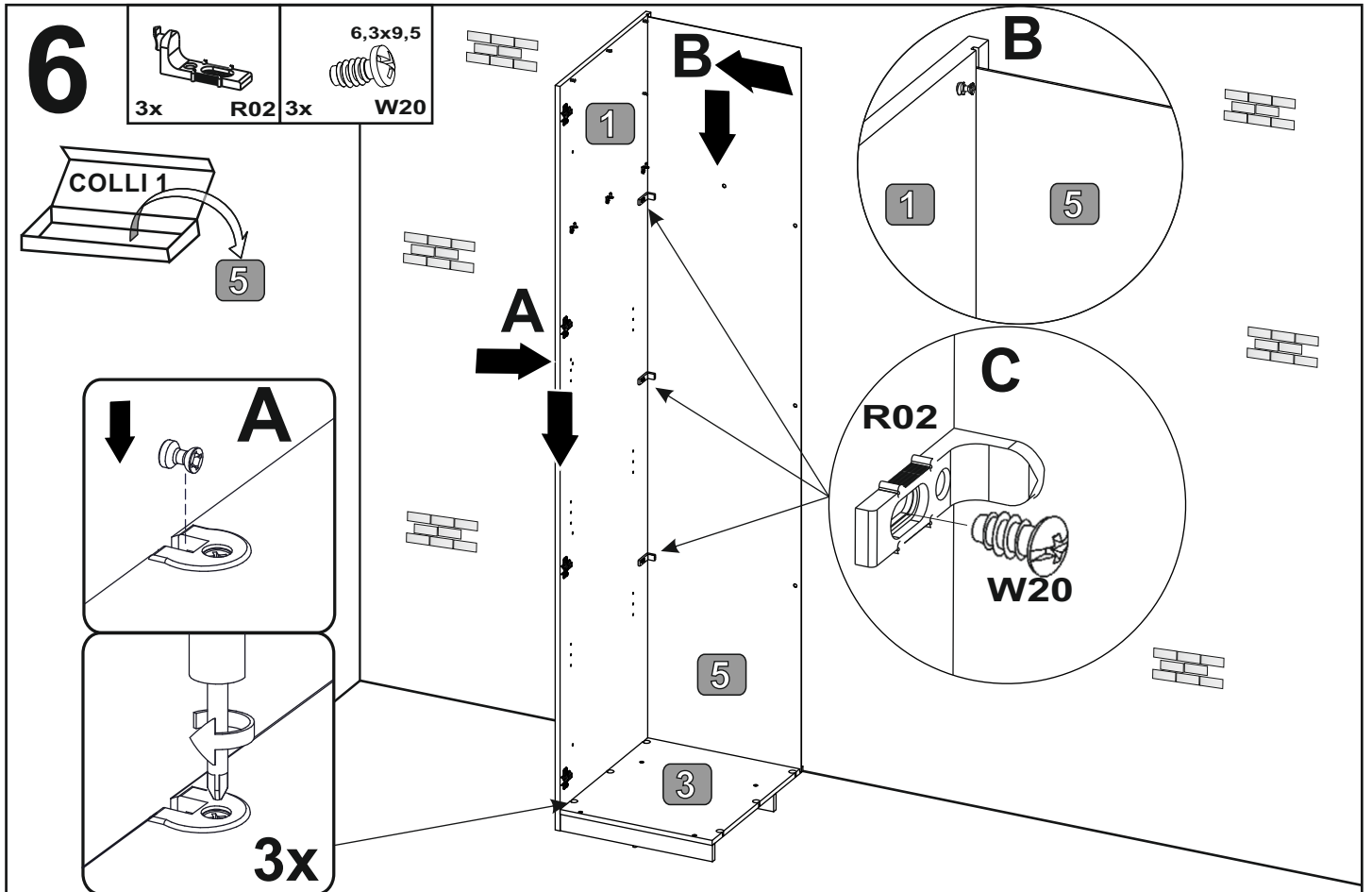


6

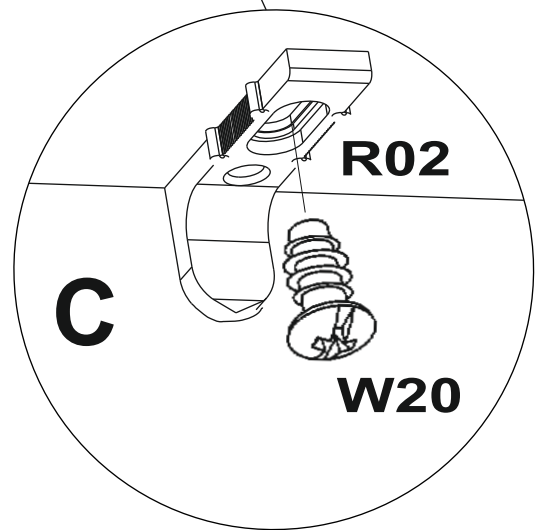
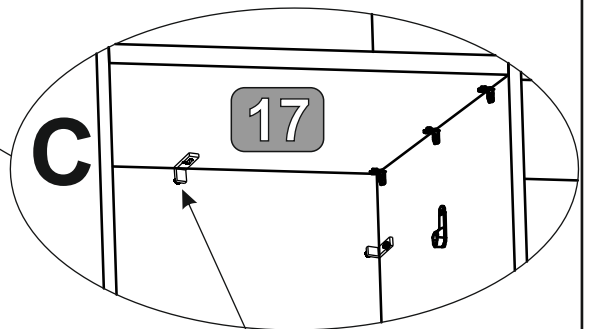
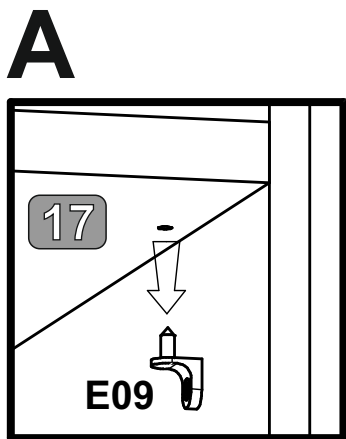
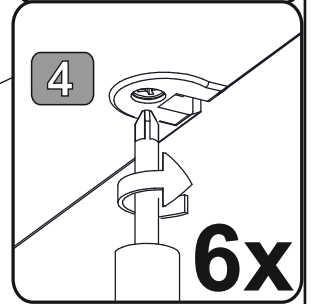
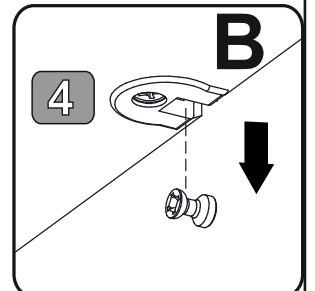
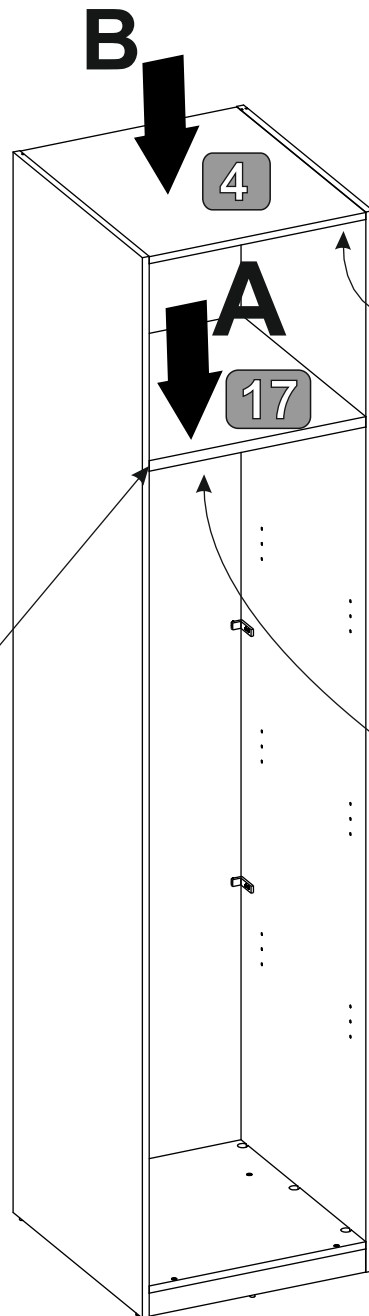
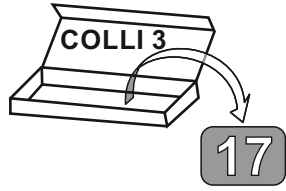
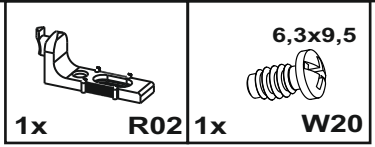


6x



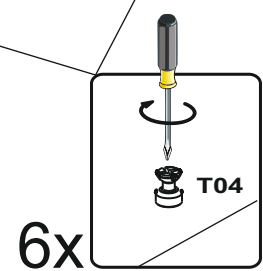
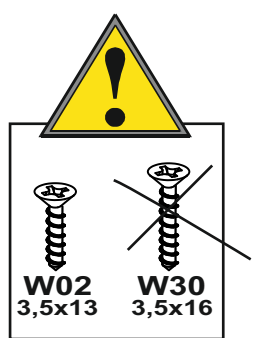
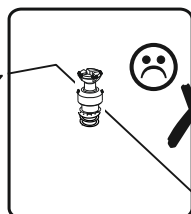
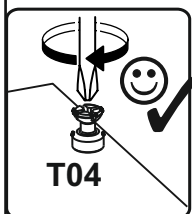
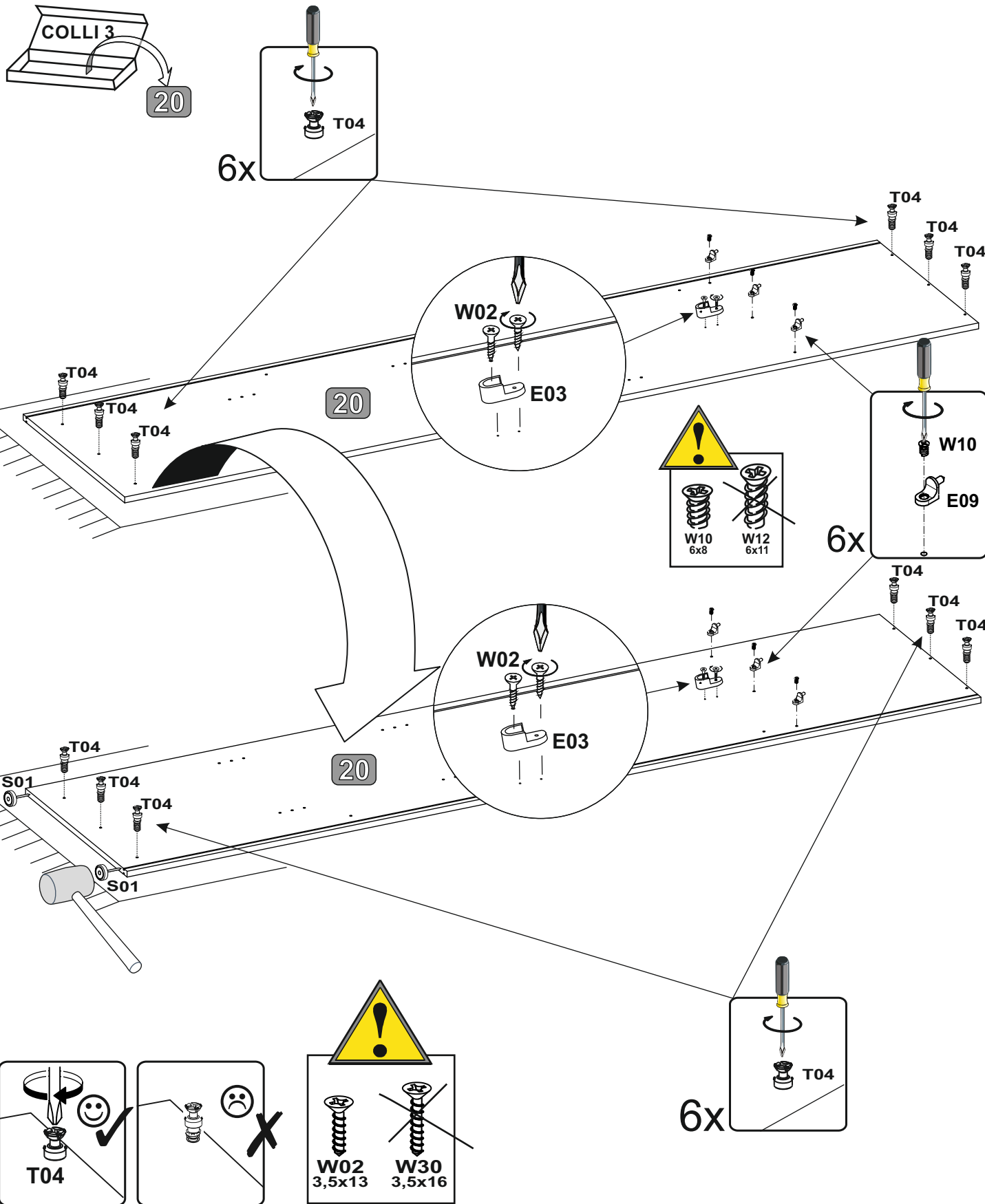


# 8









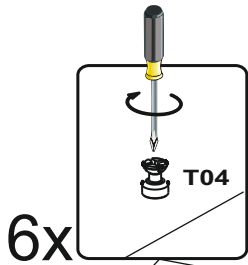
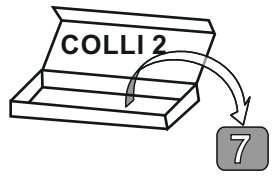
## 9

2x	S01	12x	T04	2x	E03	4x	W02	6x	E09	6x	W10
----	-----	-----	-----	----	-----	----	-----	----	-----	----	-----

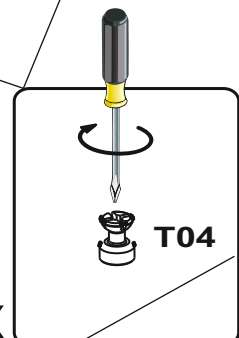
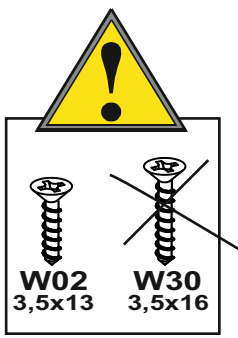
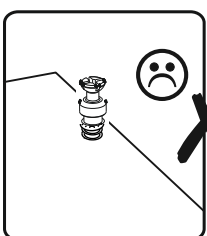
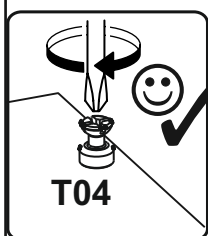
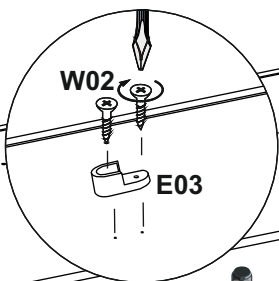
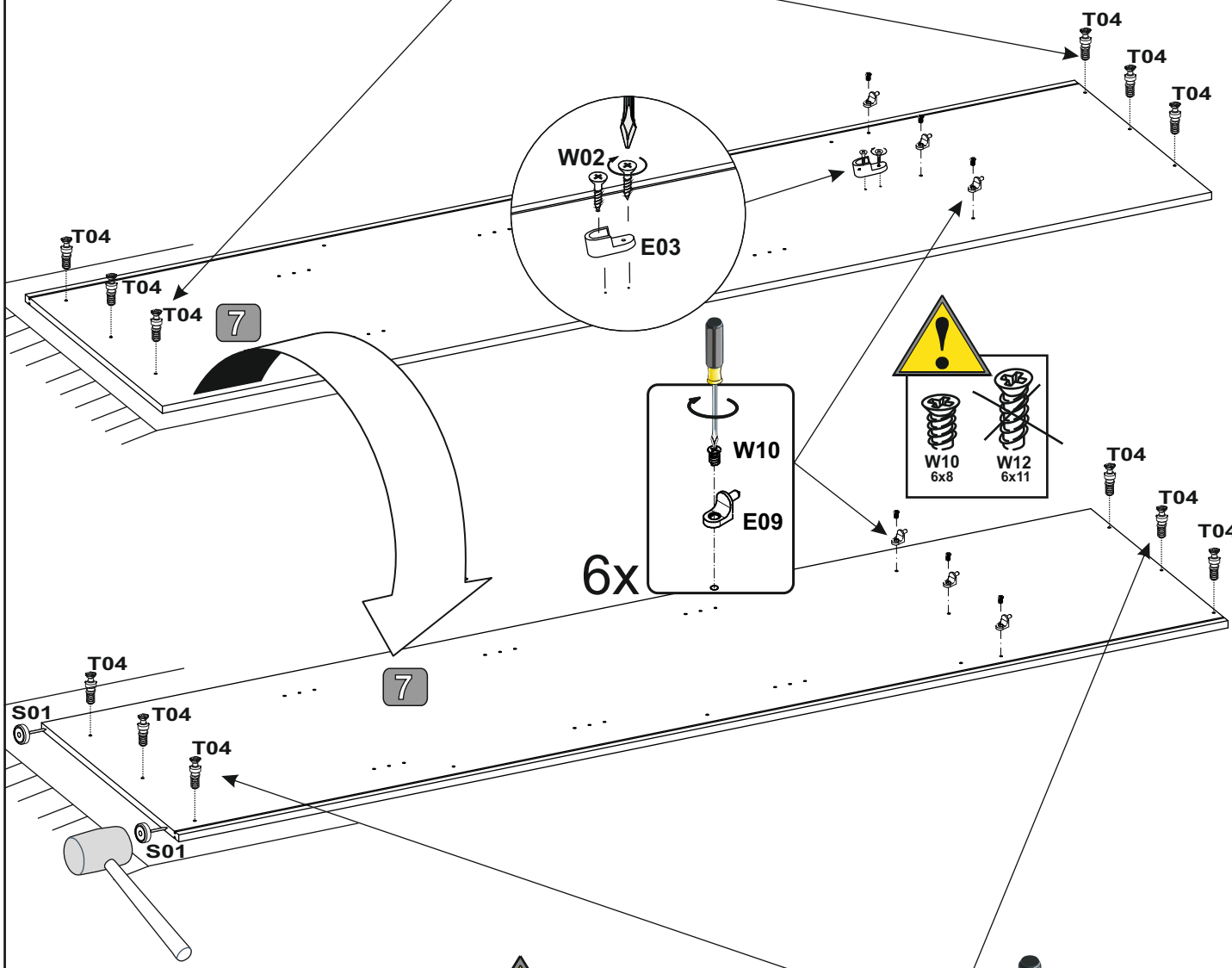


# 10

2x		12x		1x		2x		6x		6x	
	S01		T04		E03		W02		E09		W10



6x



6x

# 11



2x S01



6x T04



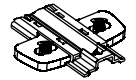
3 x E09



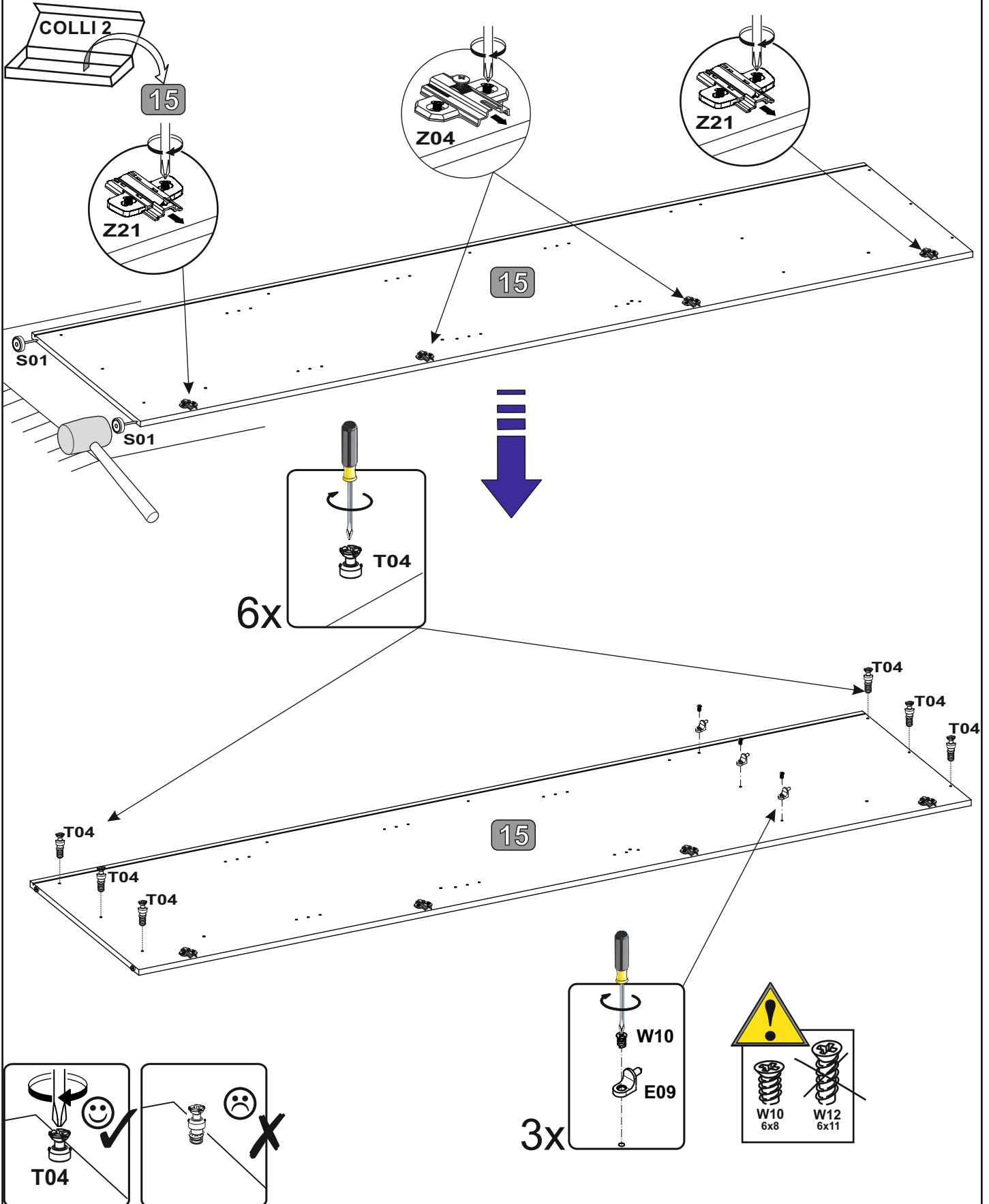
6x8  
3x W10



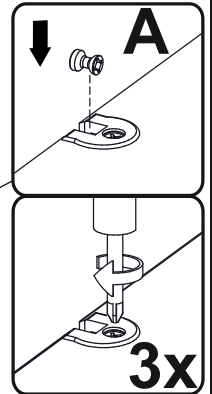
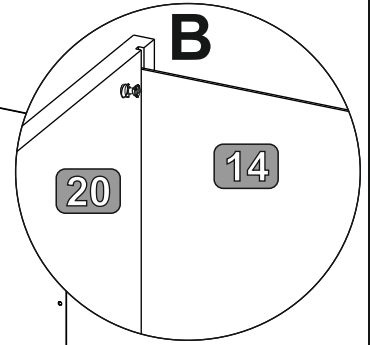
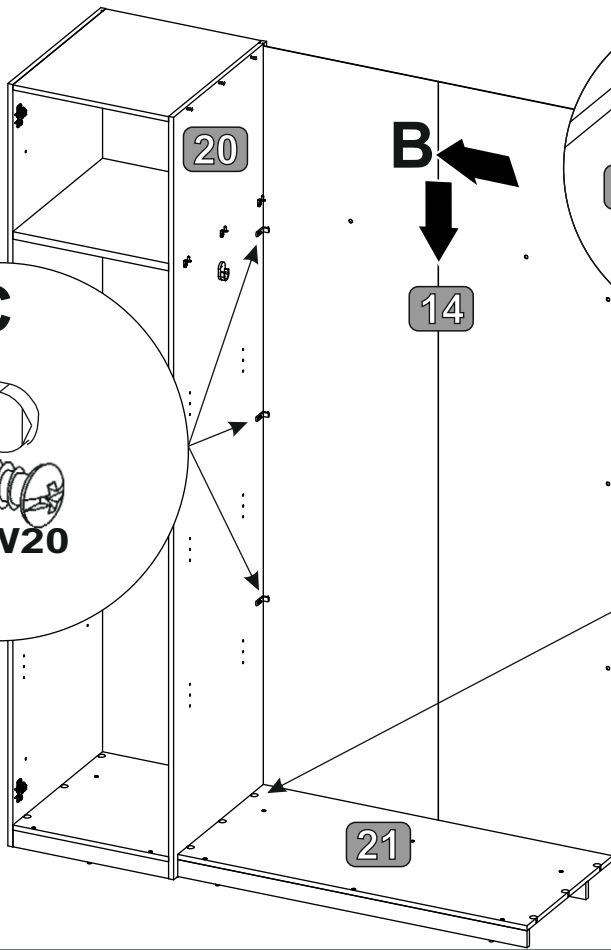
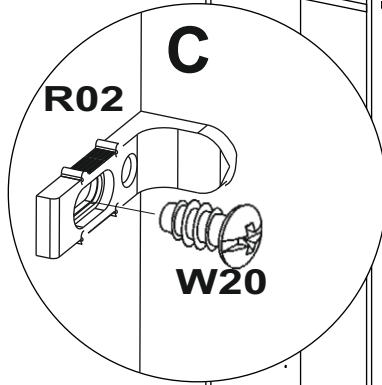
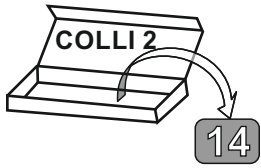
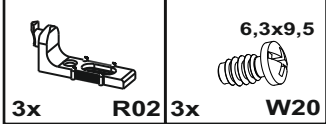
2x Z04



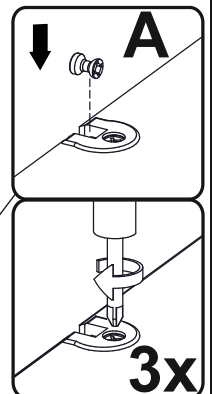
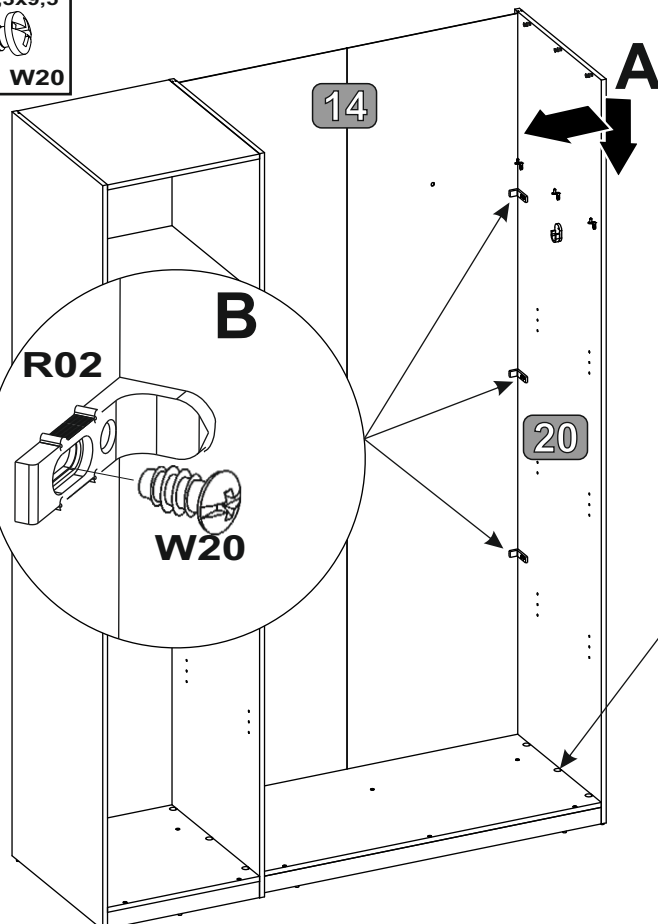
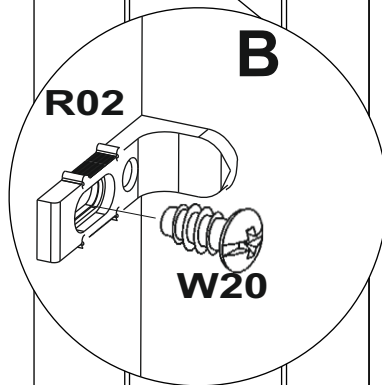
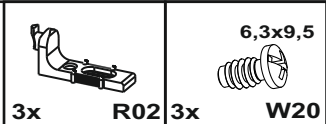
2x Z21



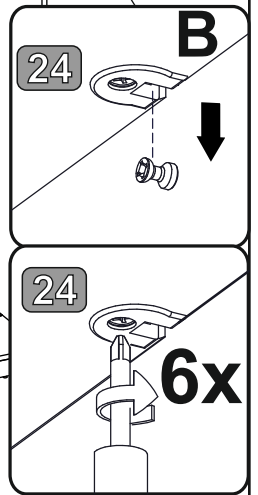
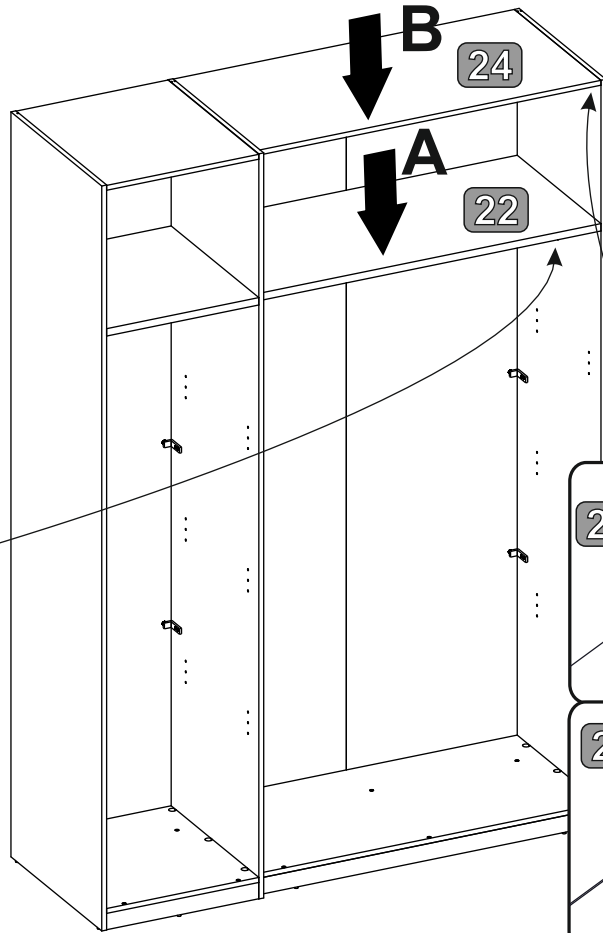
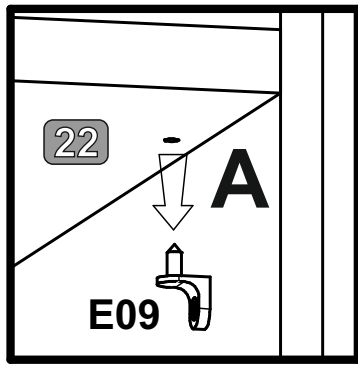
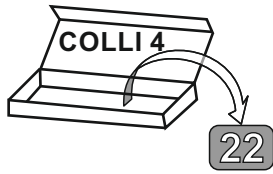
## 12



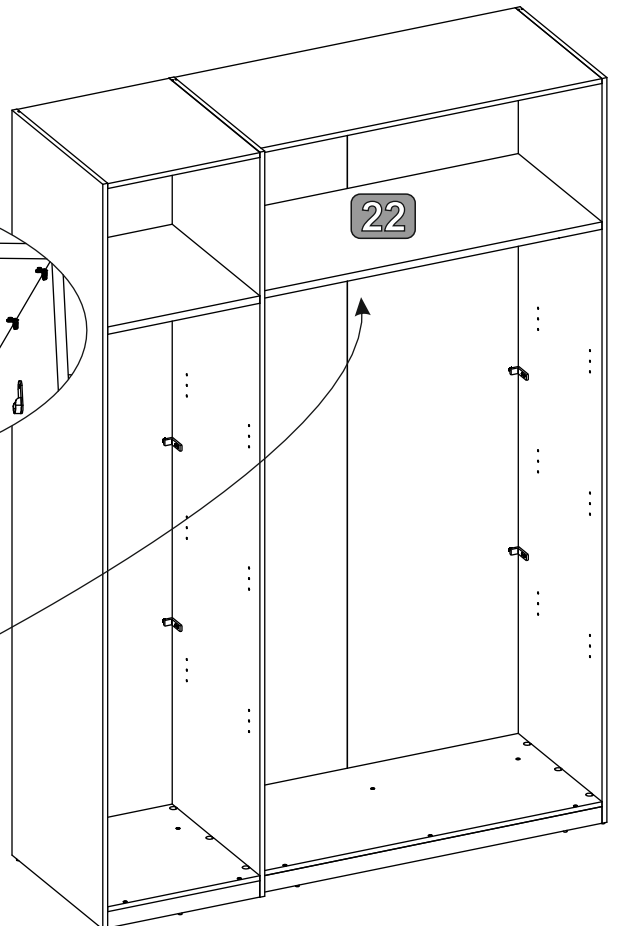
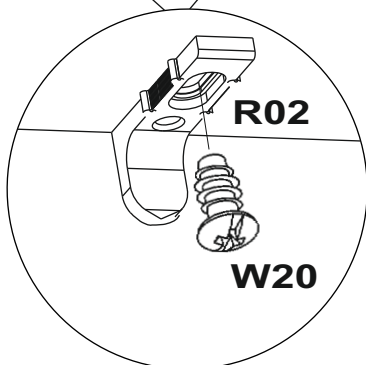
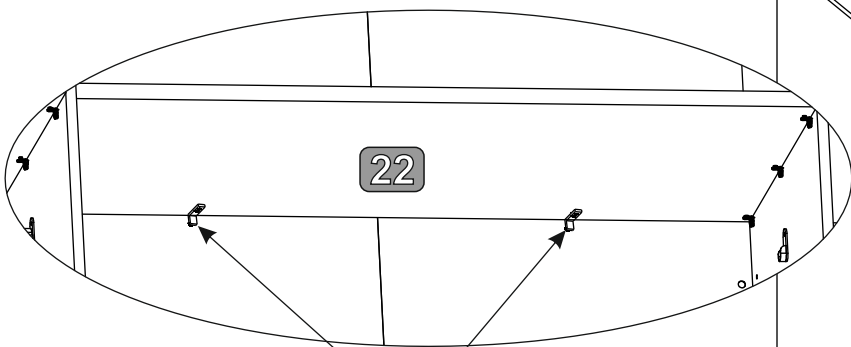
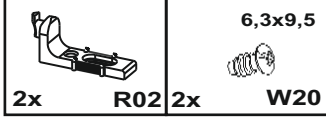
## 13



14

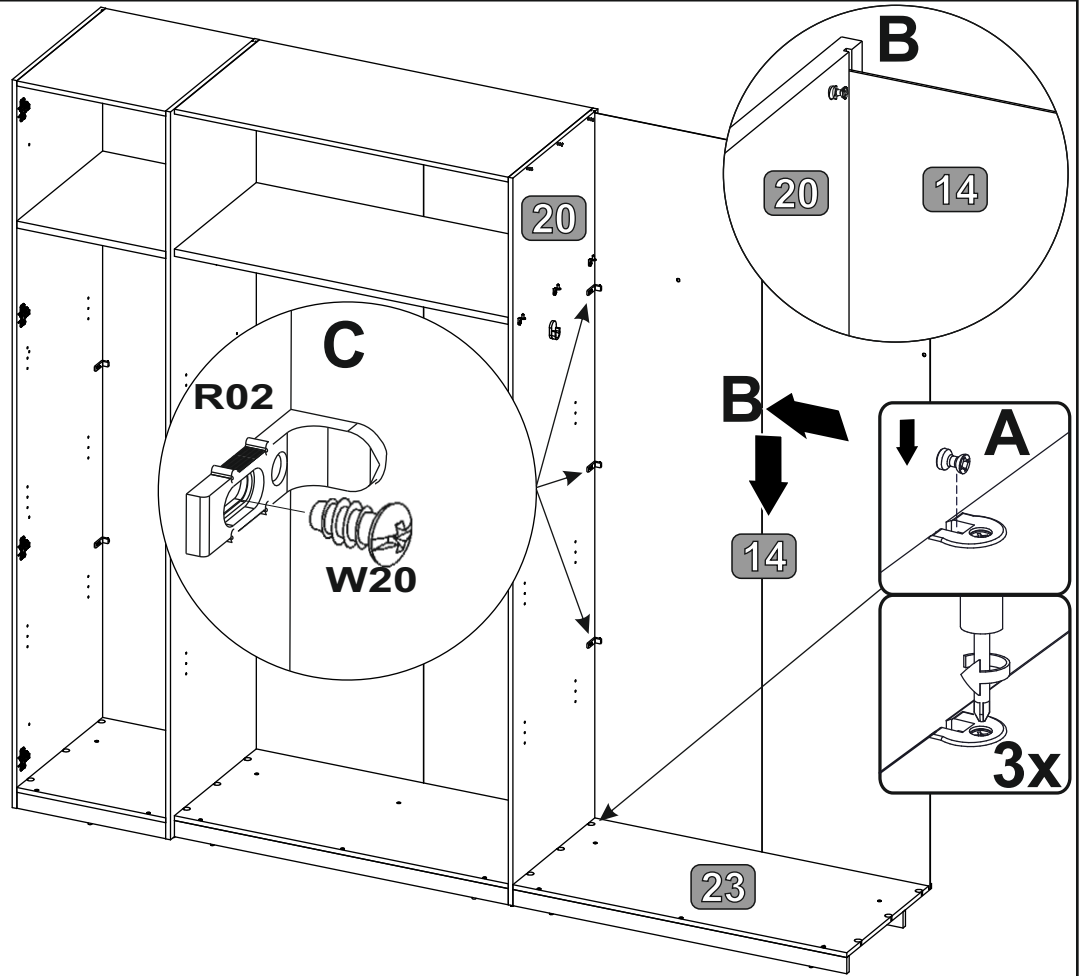
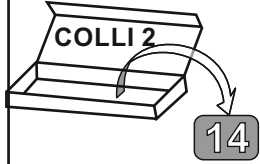
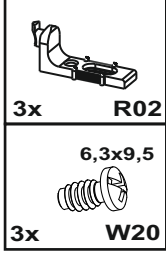


15

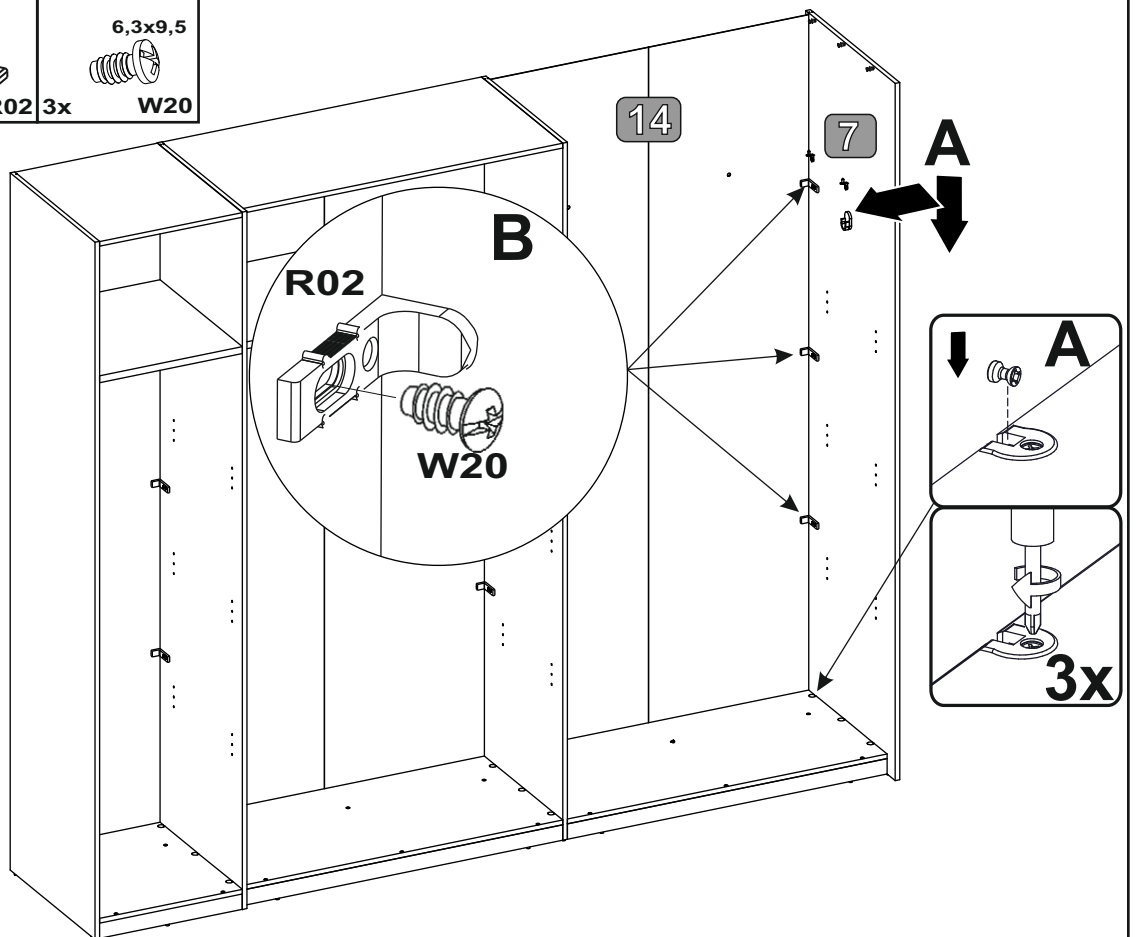
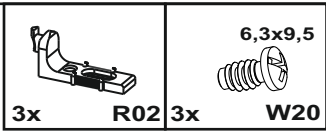




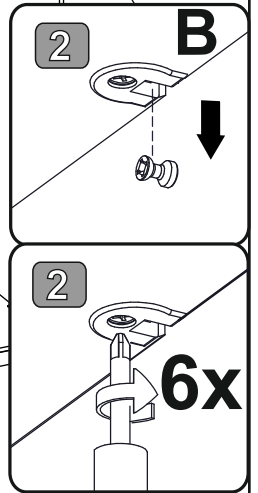
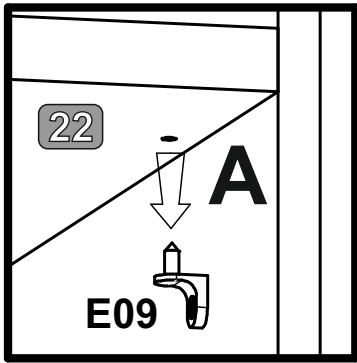
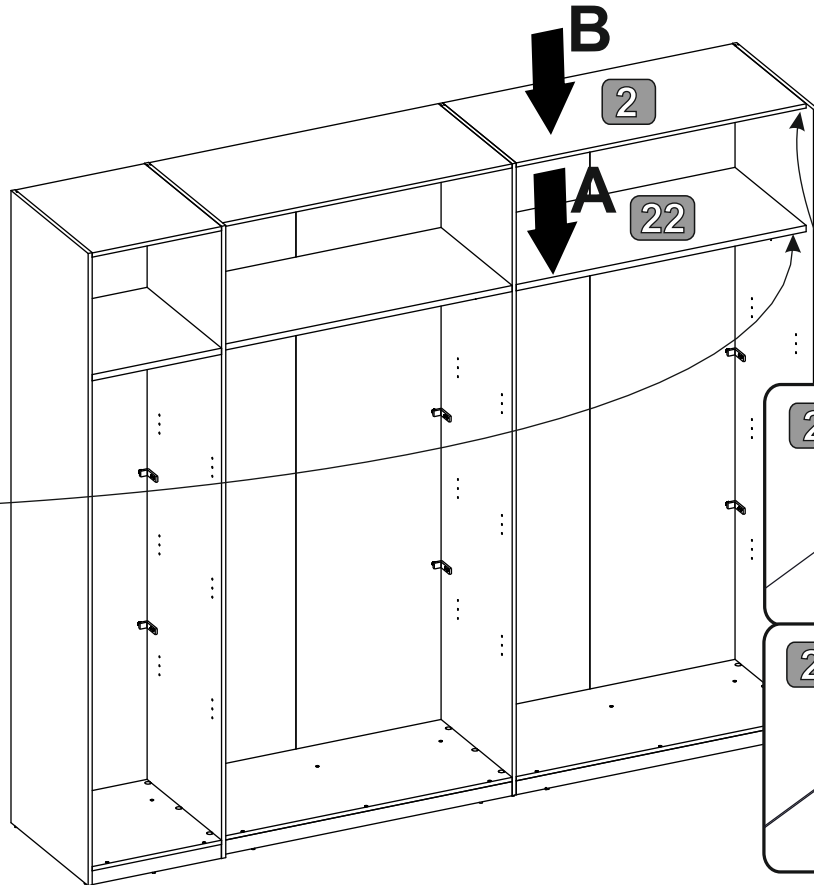
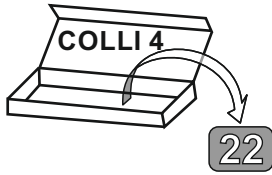
16



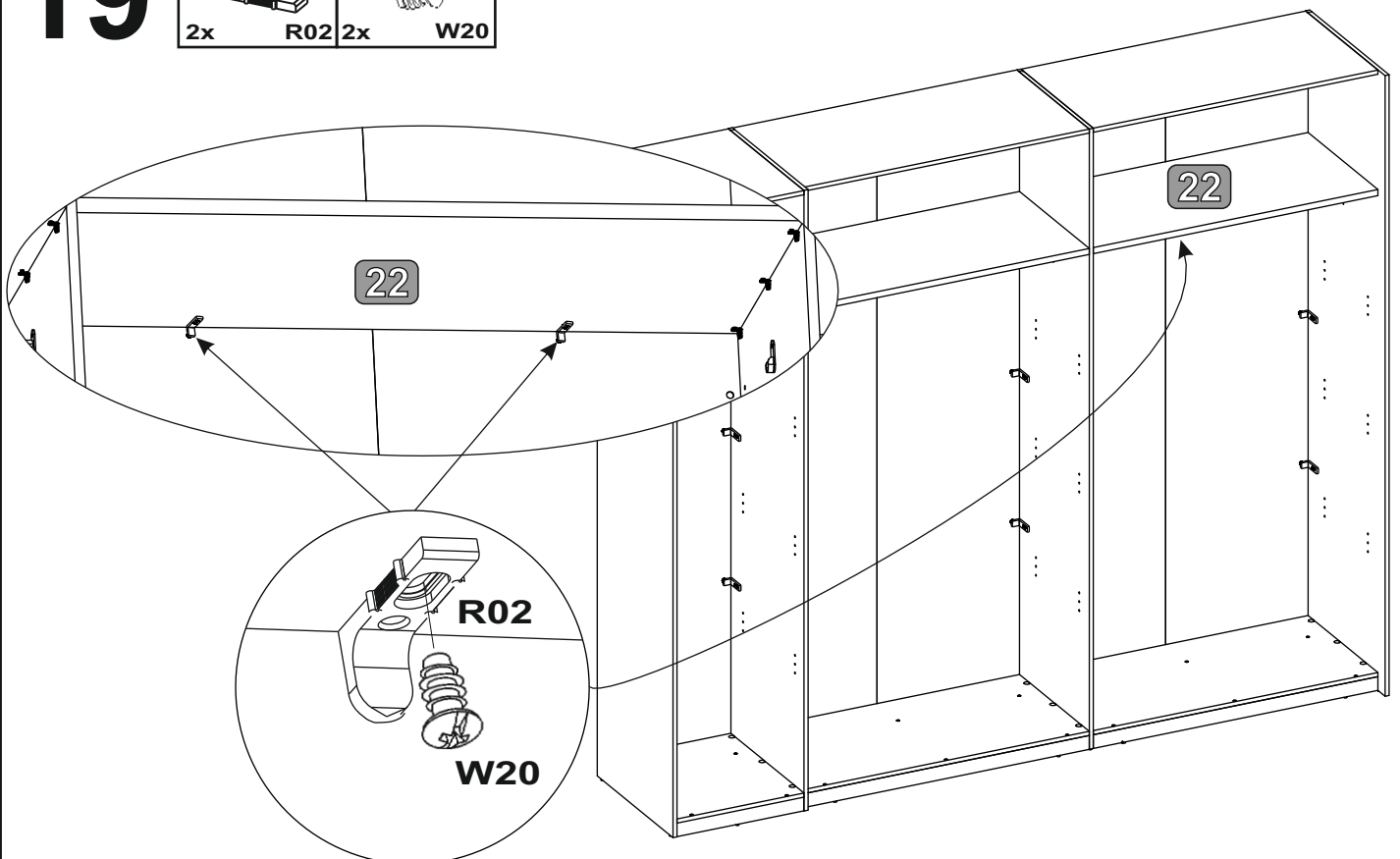
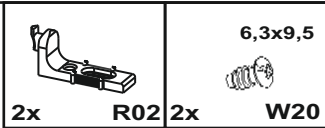
17



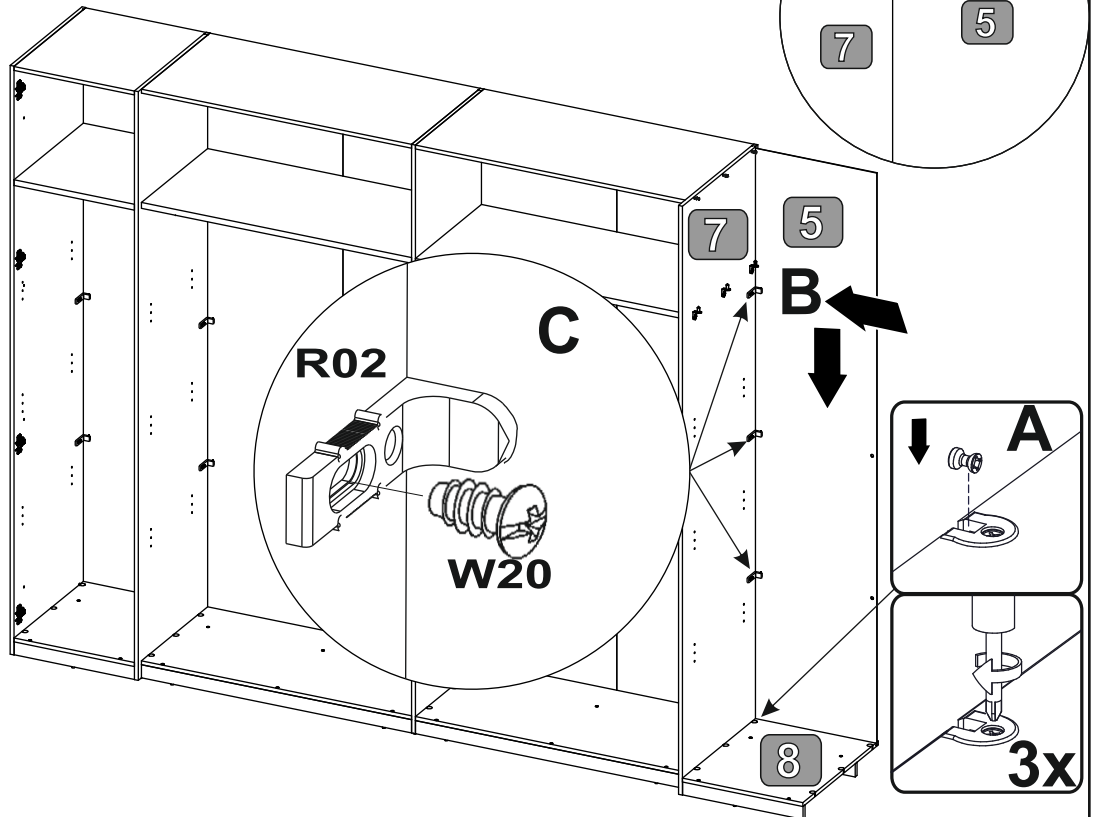
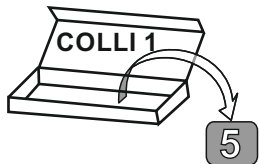
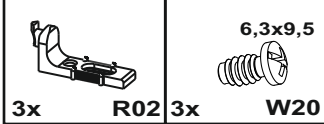
# 18



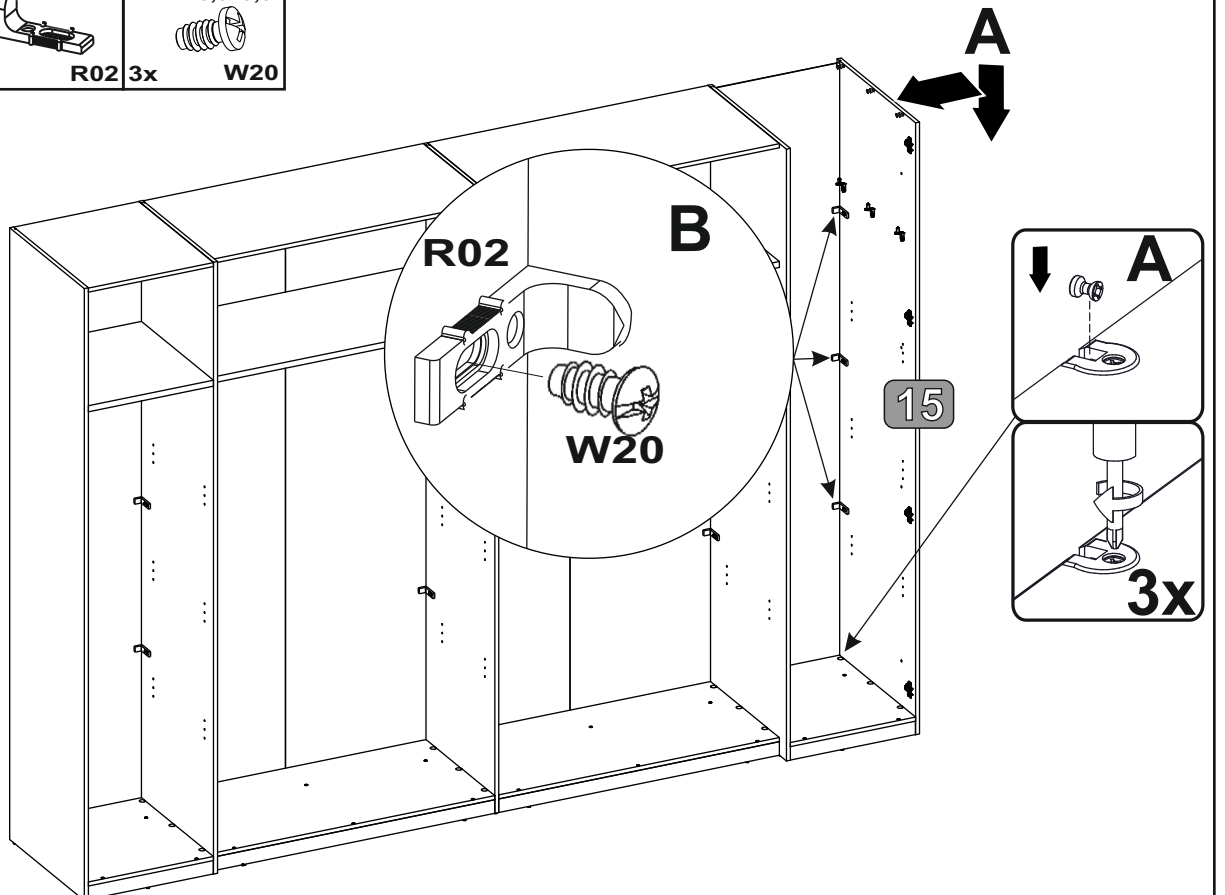
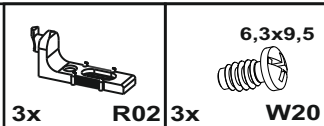
# 19



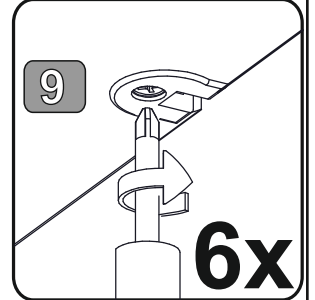
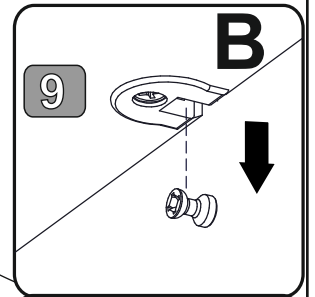
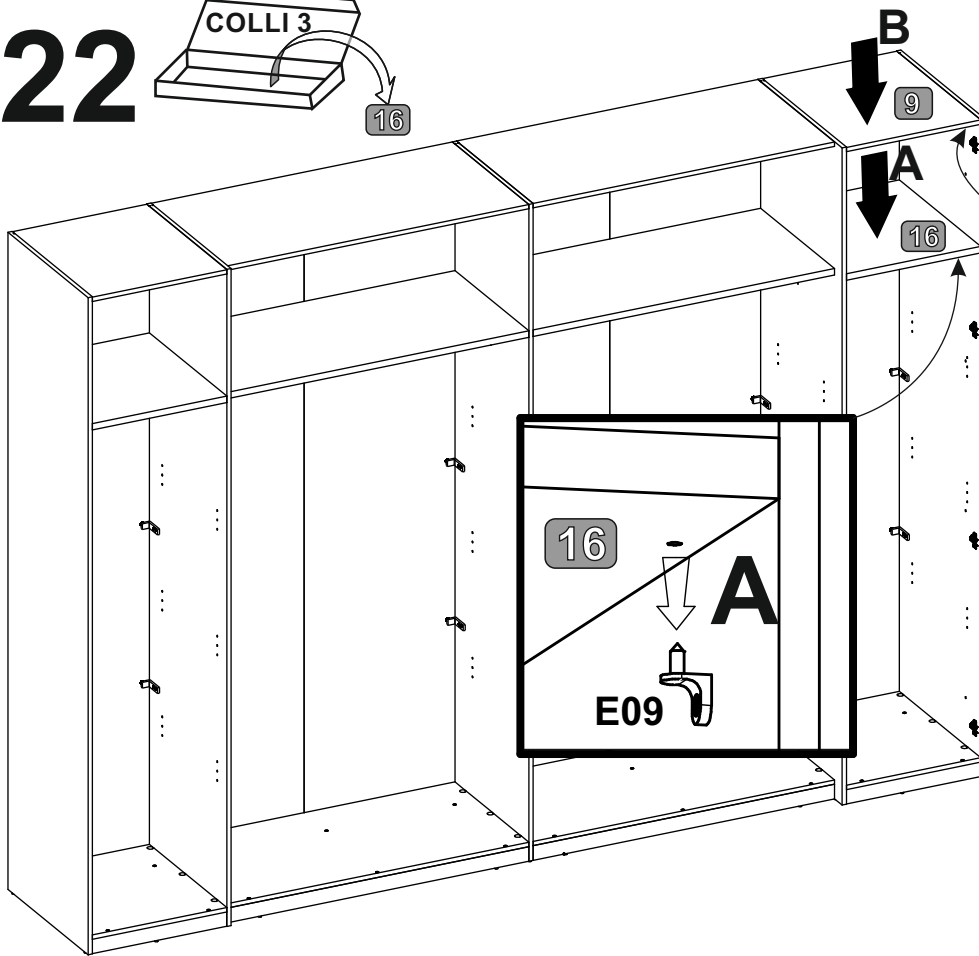
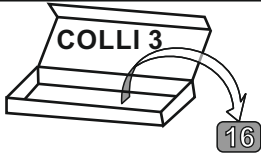
20



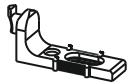
21



22



23

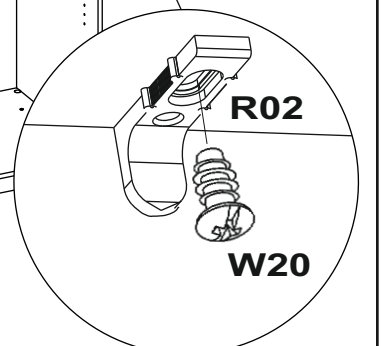
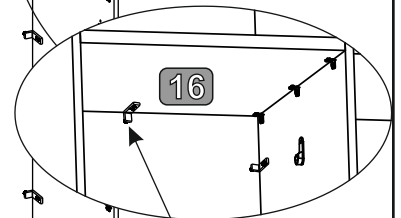
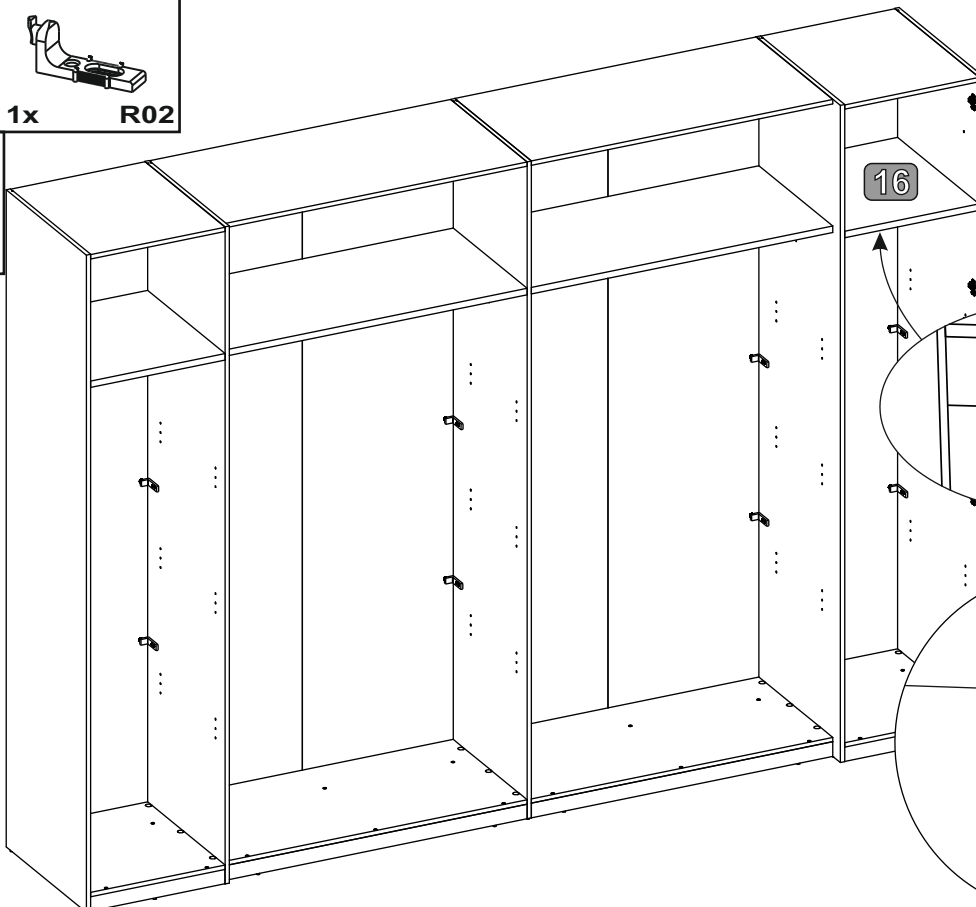


1x R02

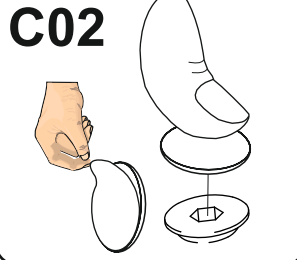
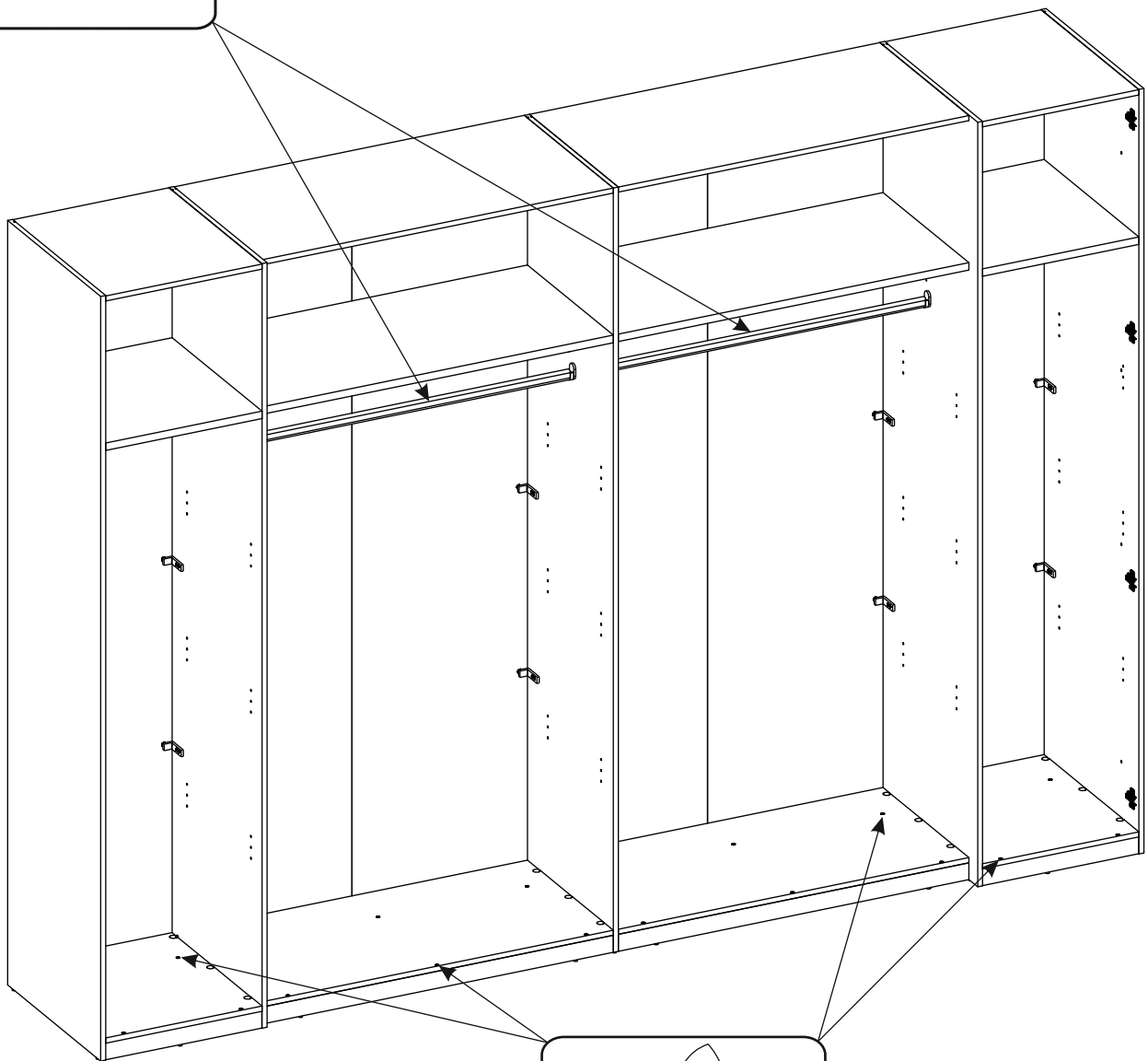
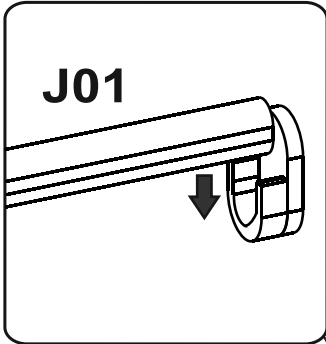
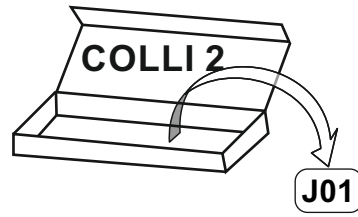
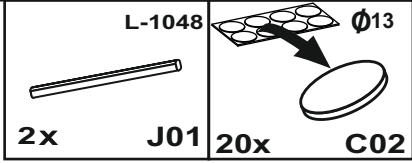
6,3x9,5




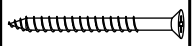



1x W20

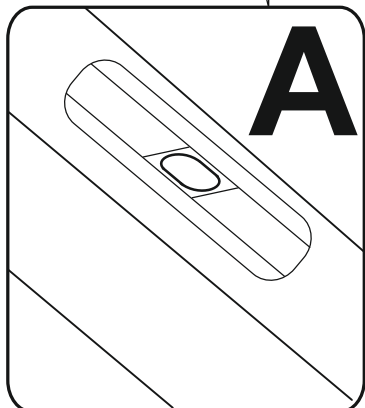
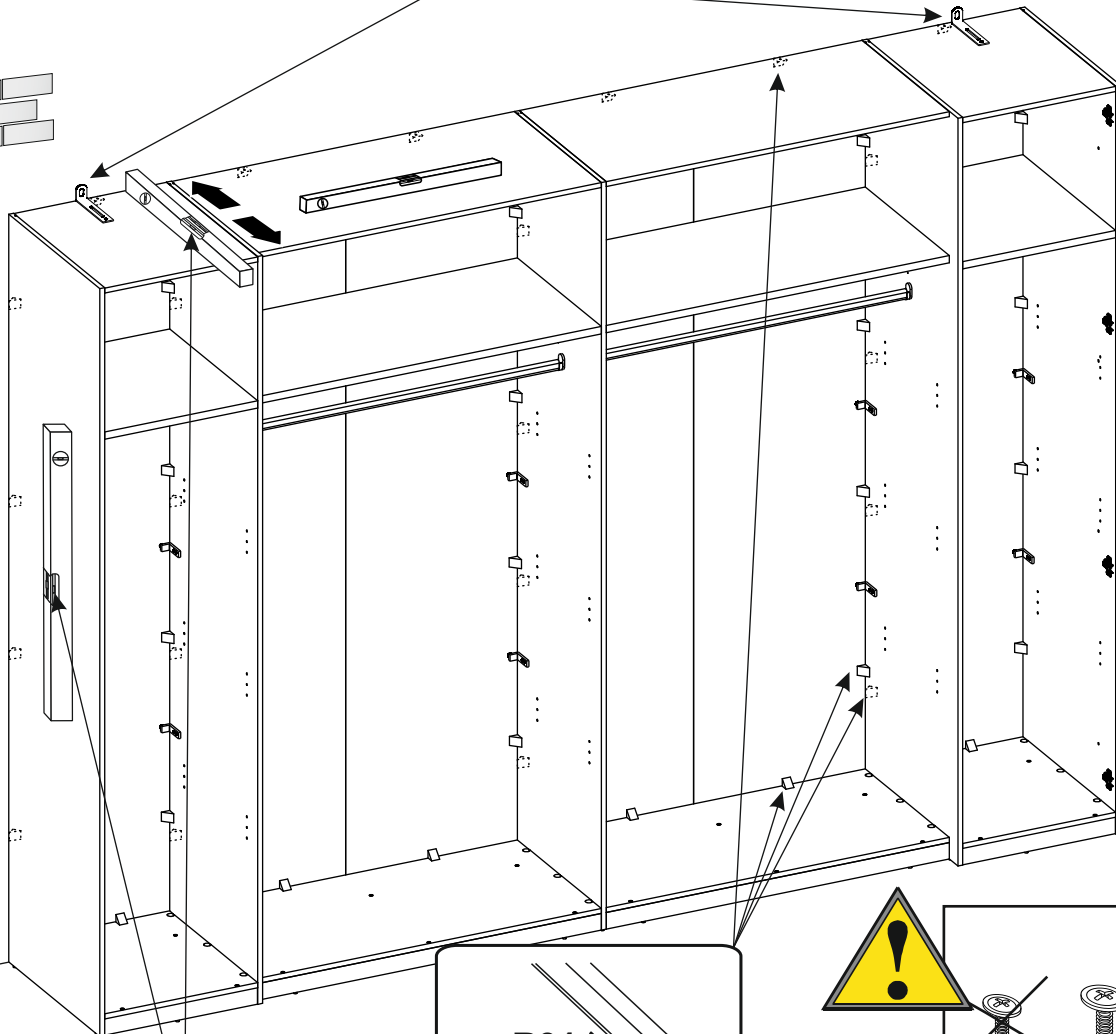
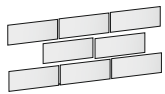
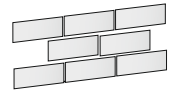
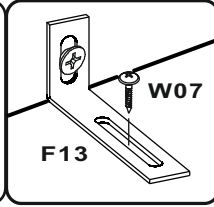
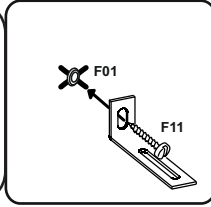
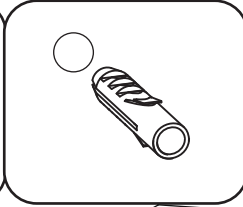
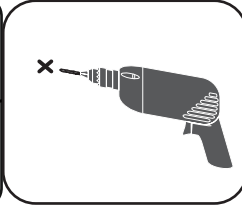
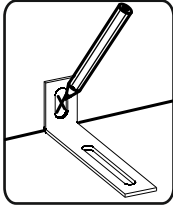


24

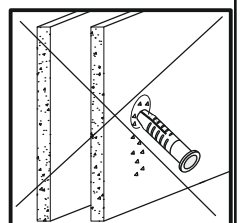
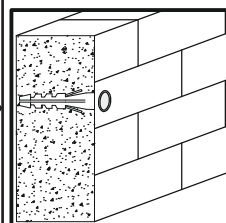
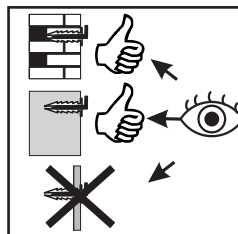
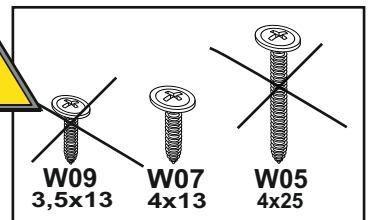
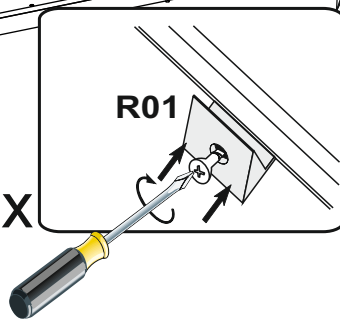


## 25

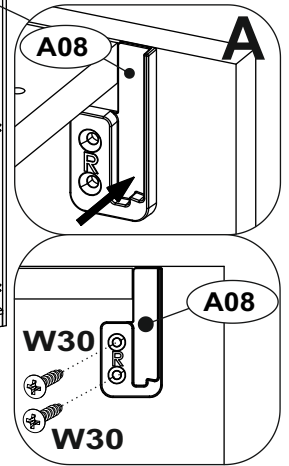
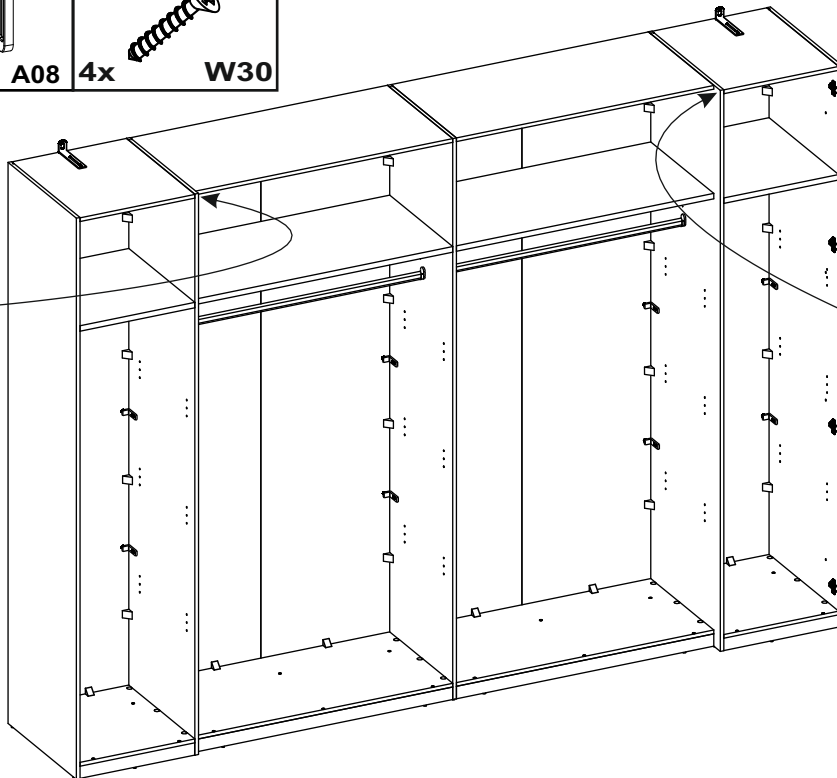
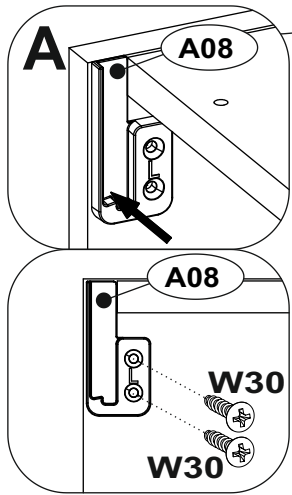
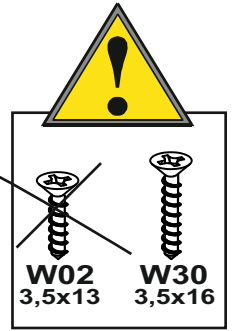
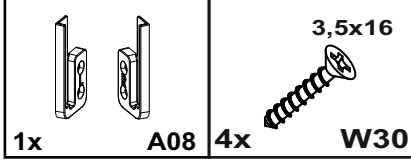
 2x F01	 2x F11	 2x F13	 4x13 2x W07	 44x R01
---------------------------------------------------------------------------------------------	---------------------------------------------------------------------------------------------	---------------------------------------------------------------------------------------------	--------------------------------------------------------------------------------------------------	------------------------------------------------------------------------------------------------



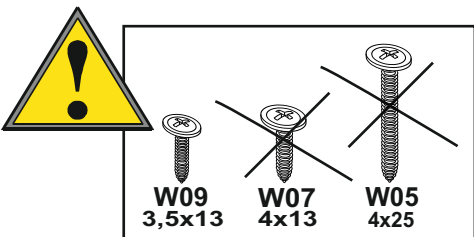
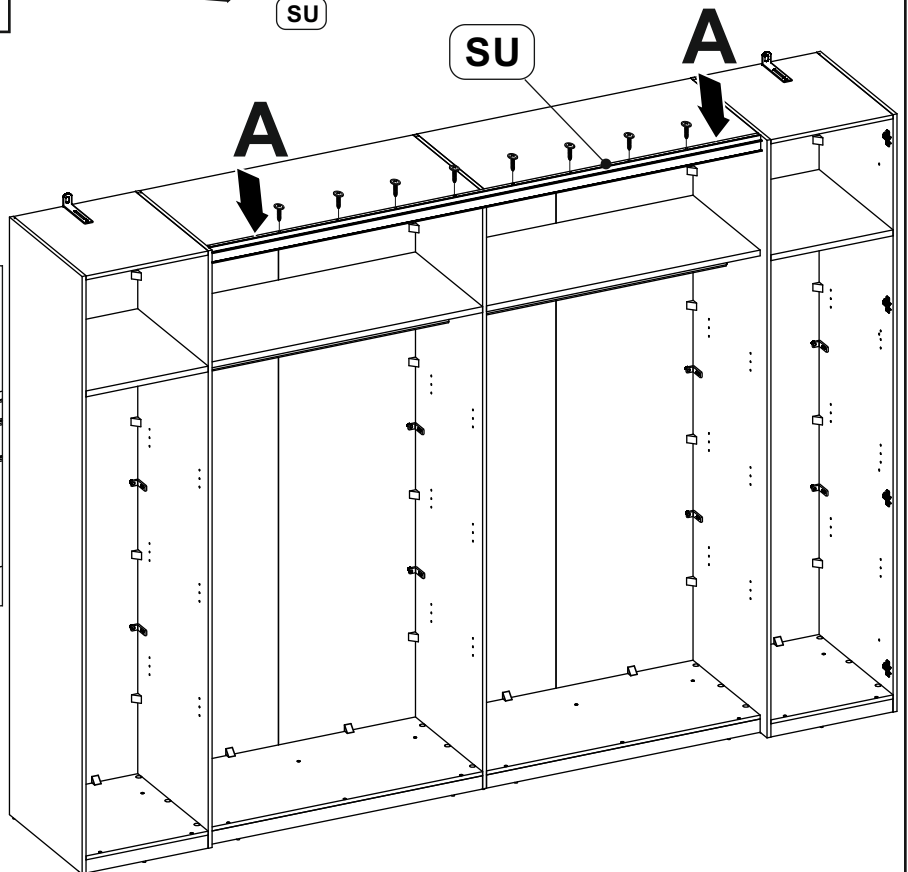
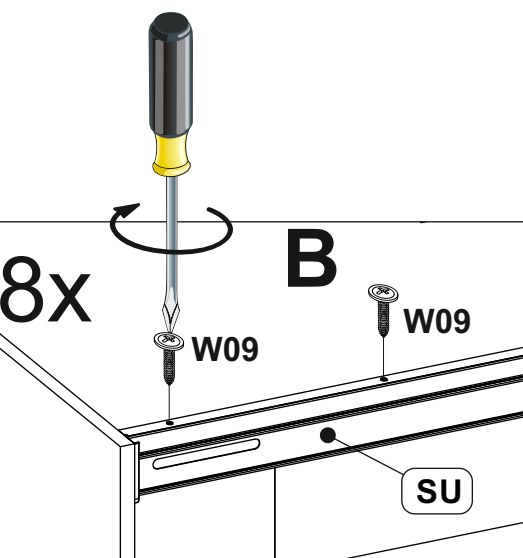
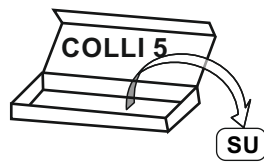
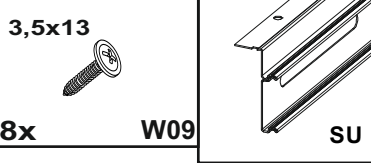
44x



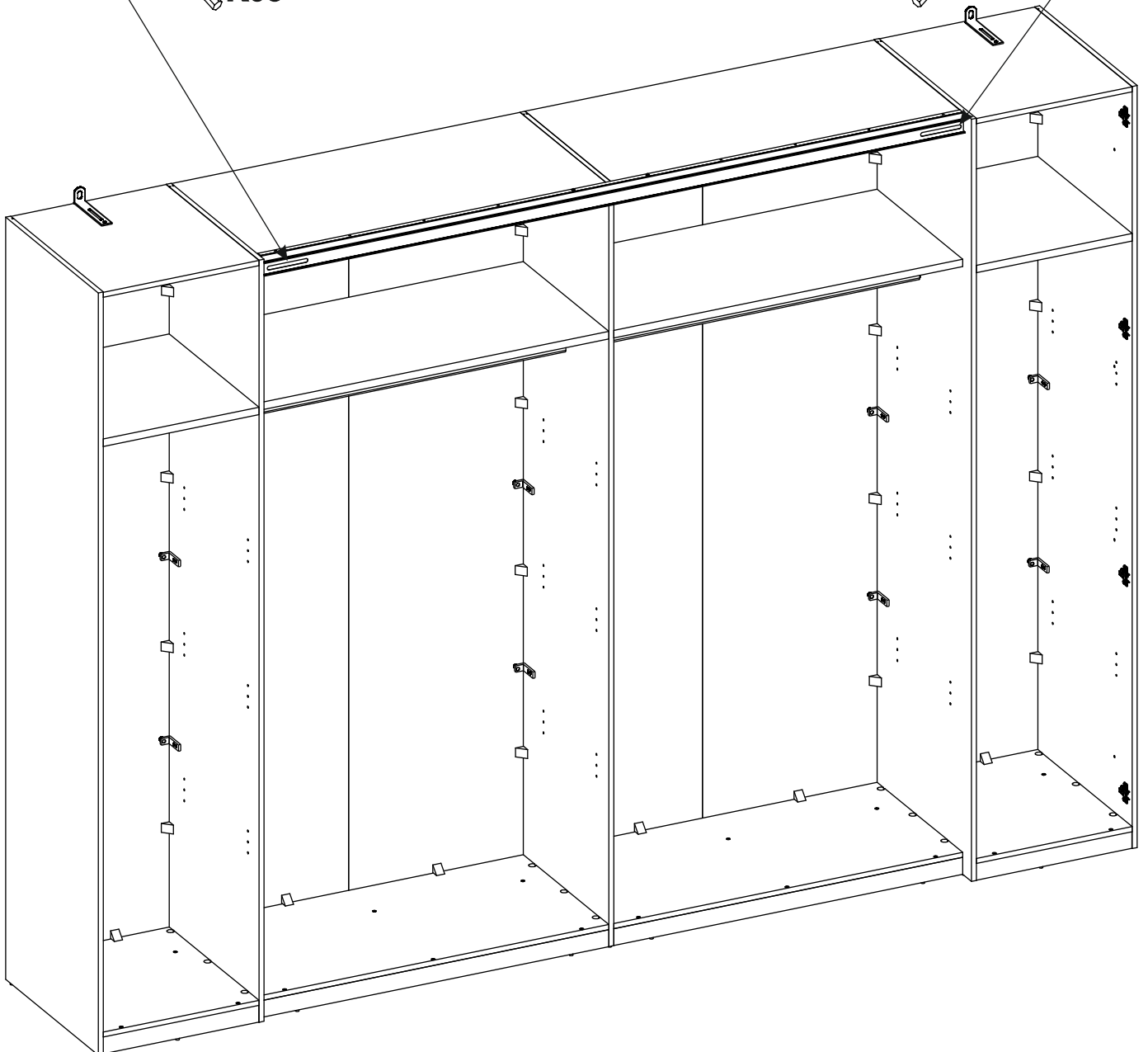
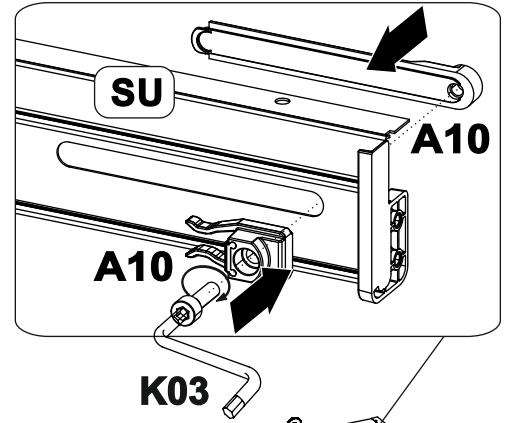
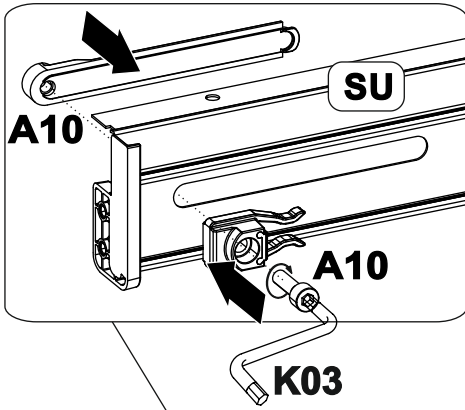
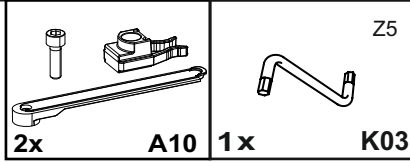
## 26



## 27

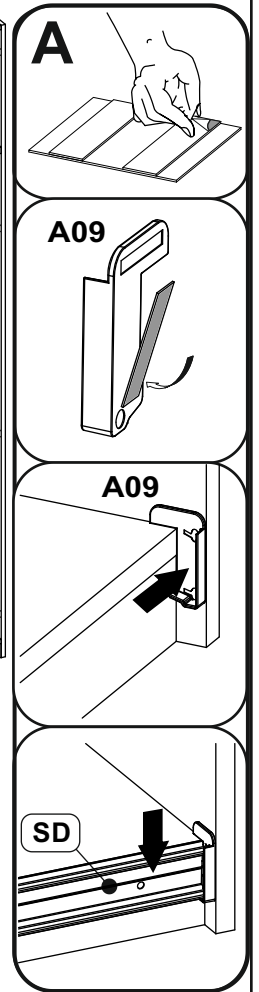
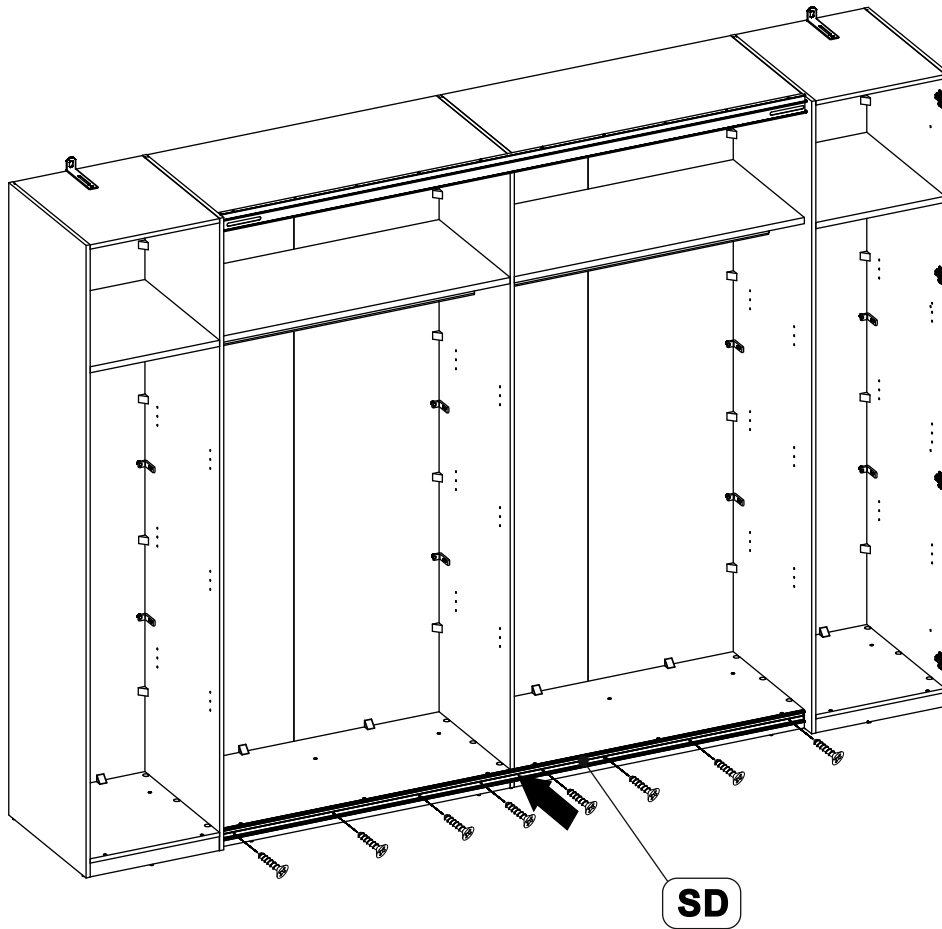
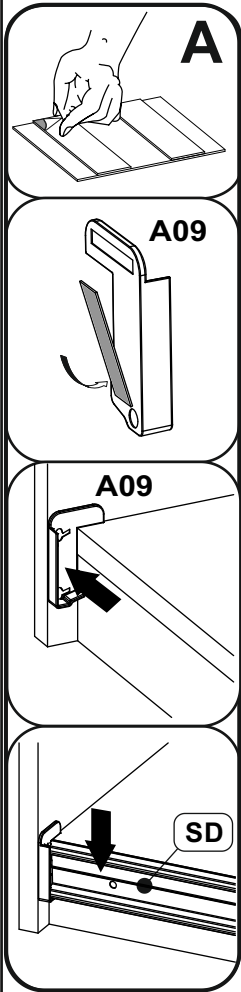
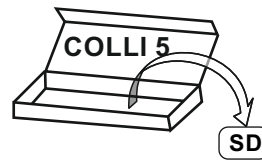
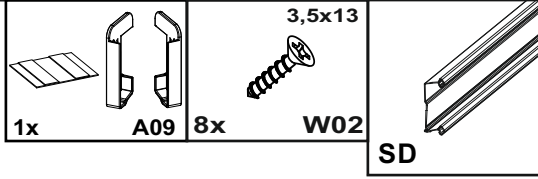


# 28

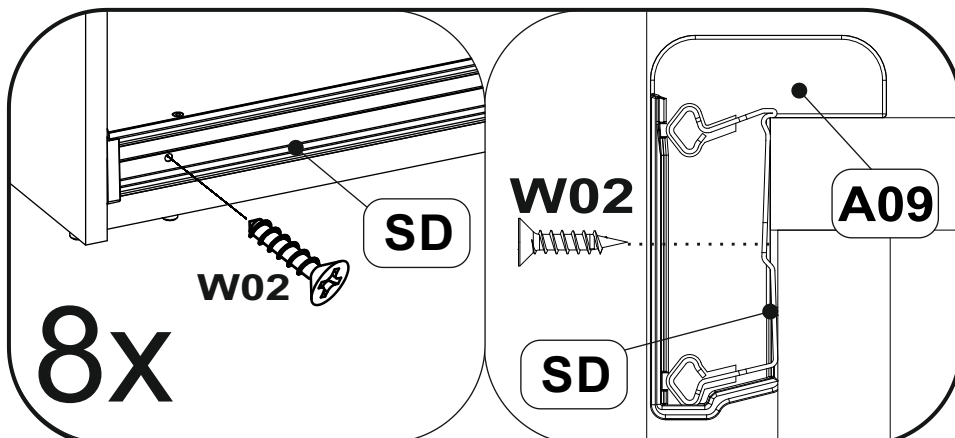
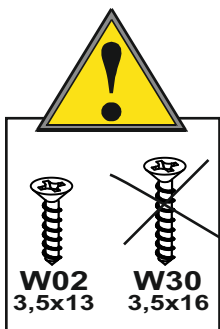




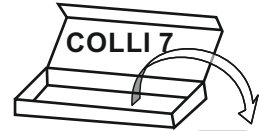
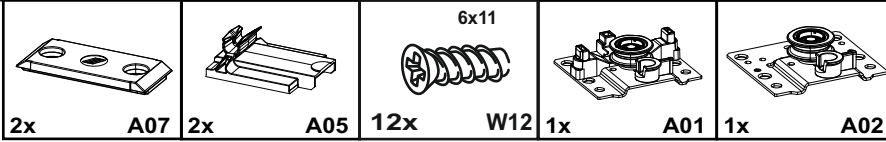
# 29



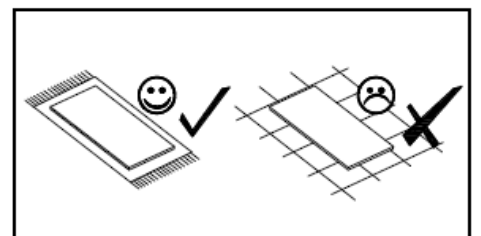
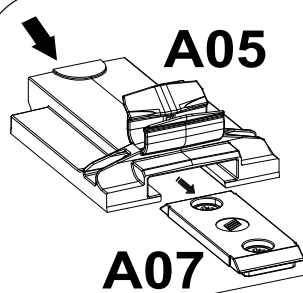
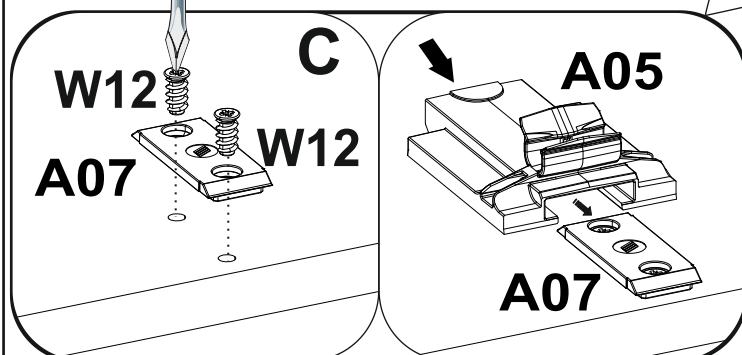
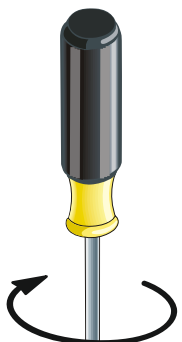
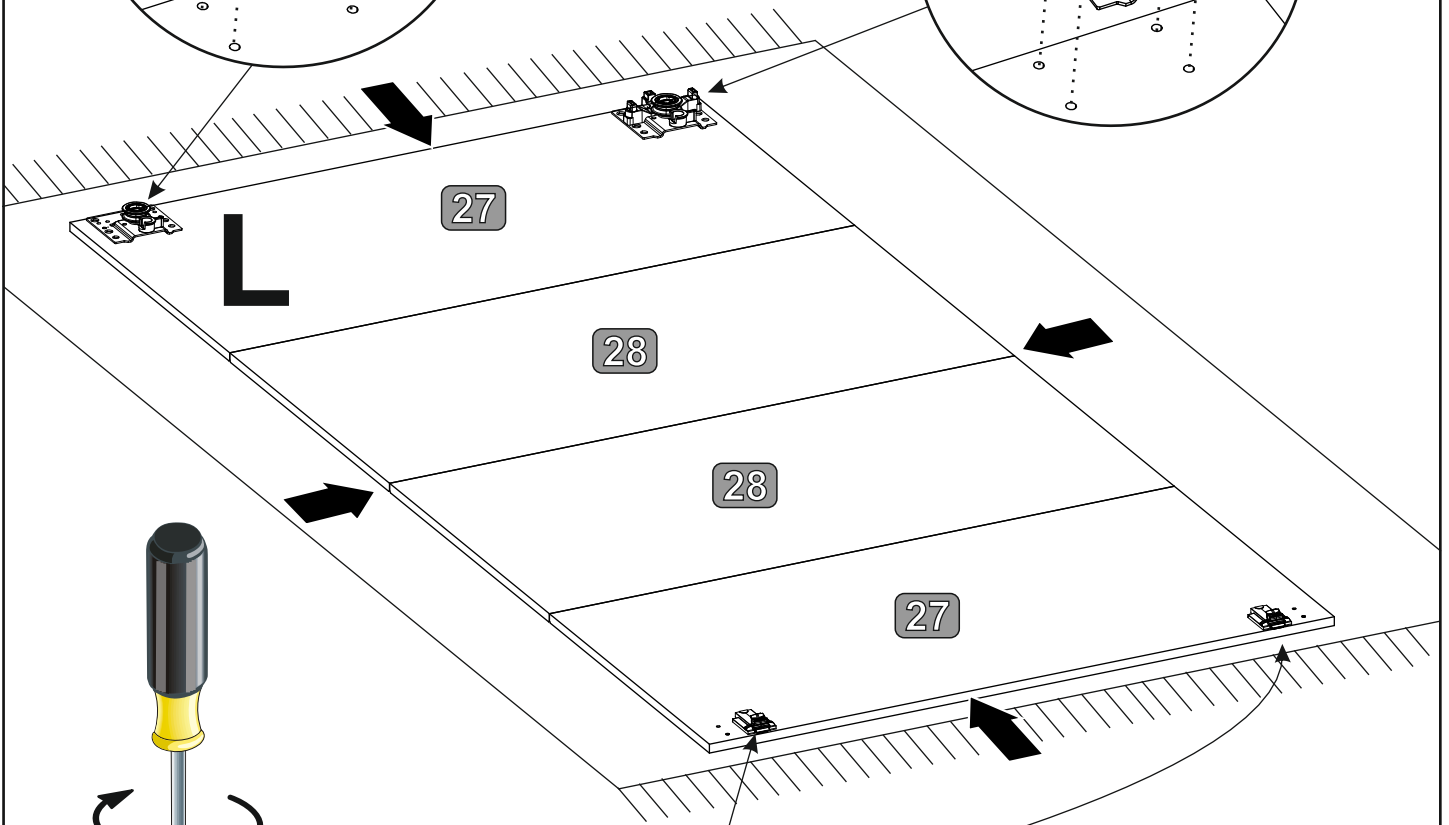
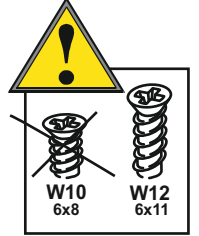
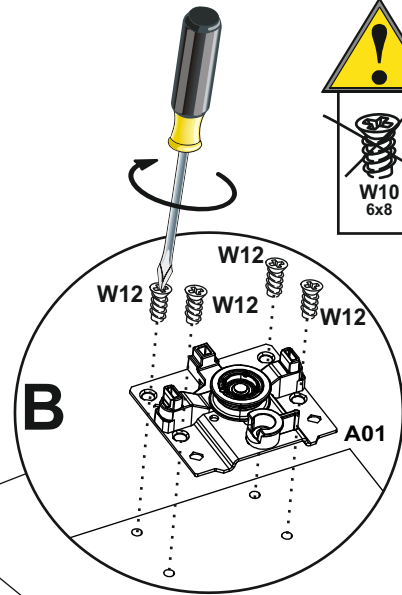
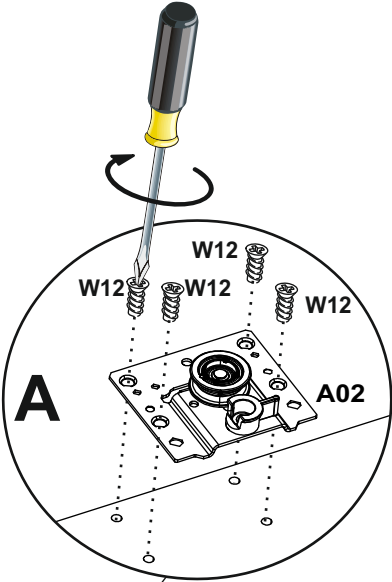
# B



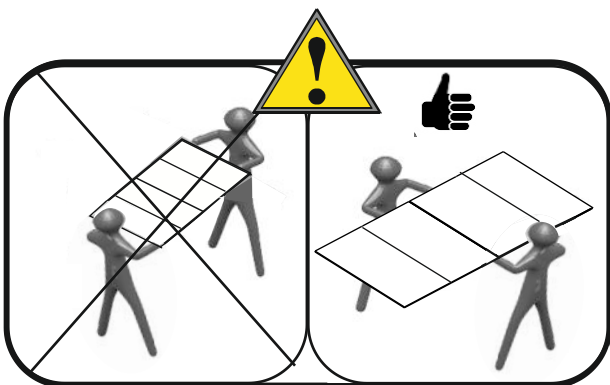
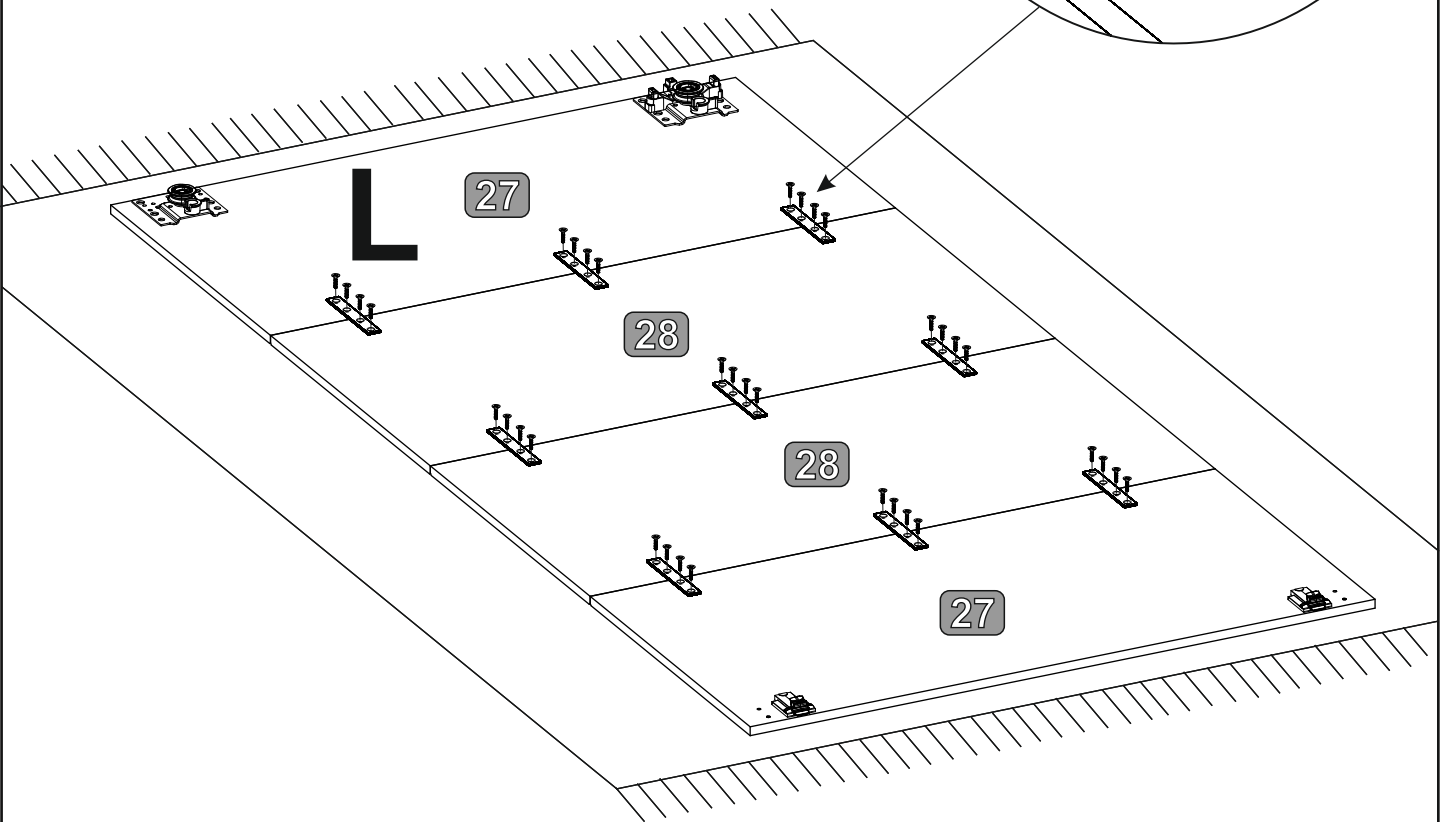
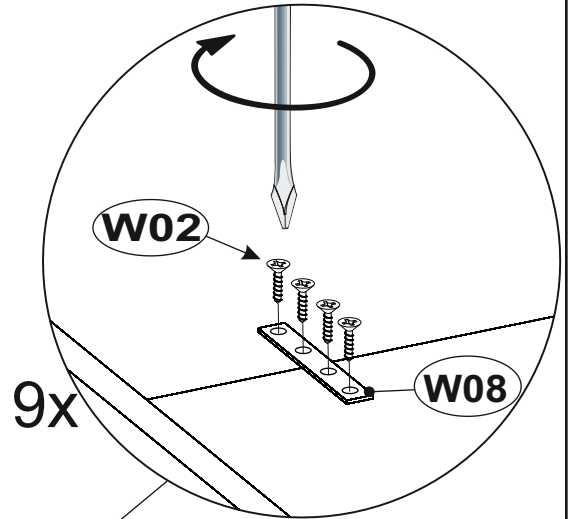
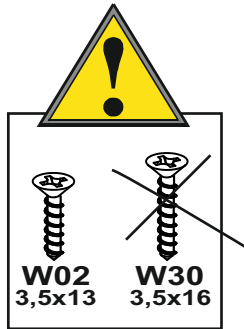
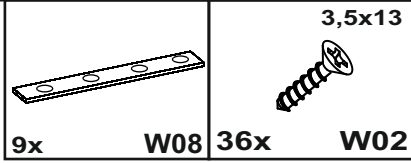
# 30



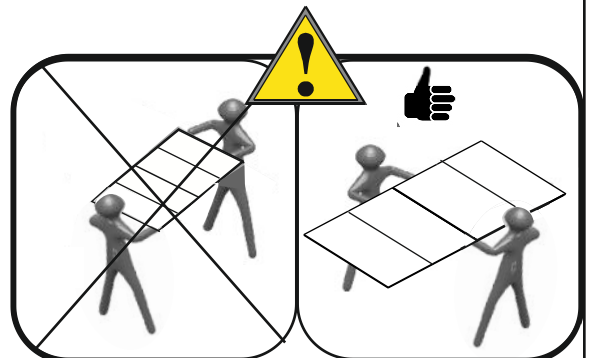
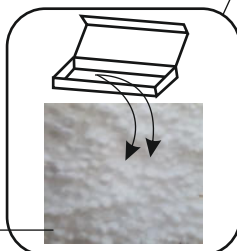
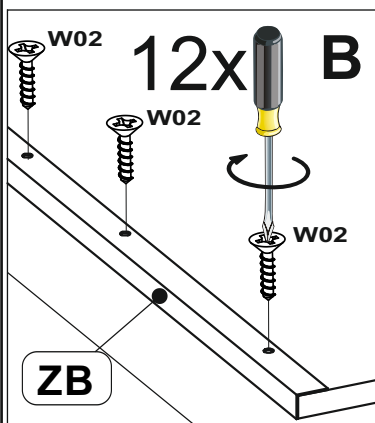
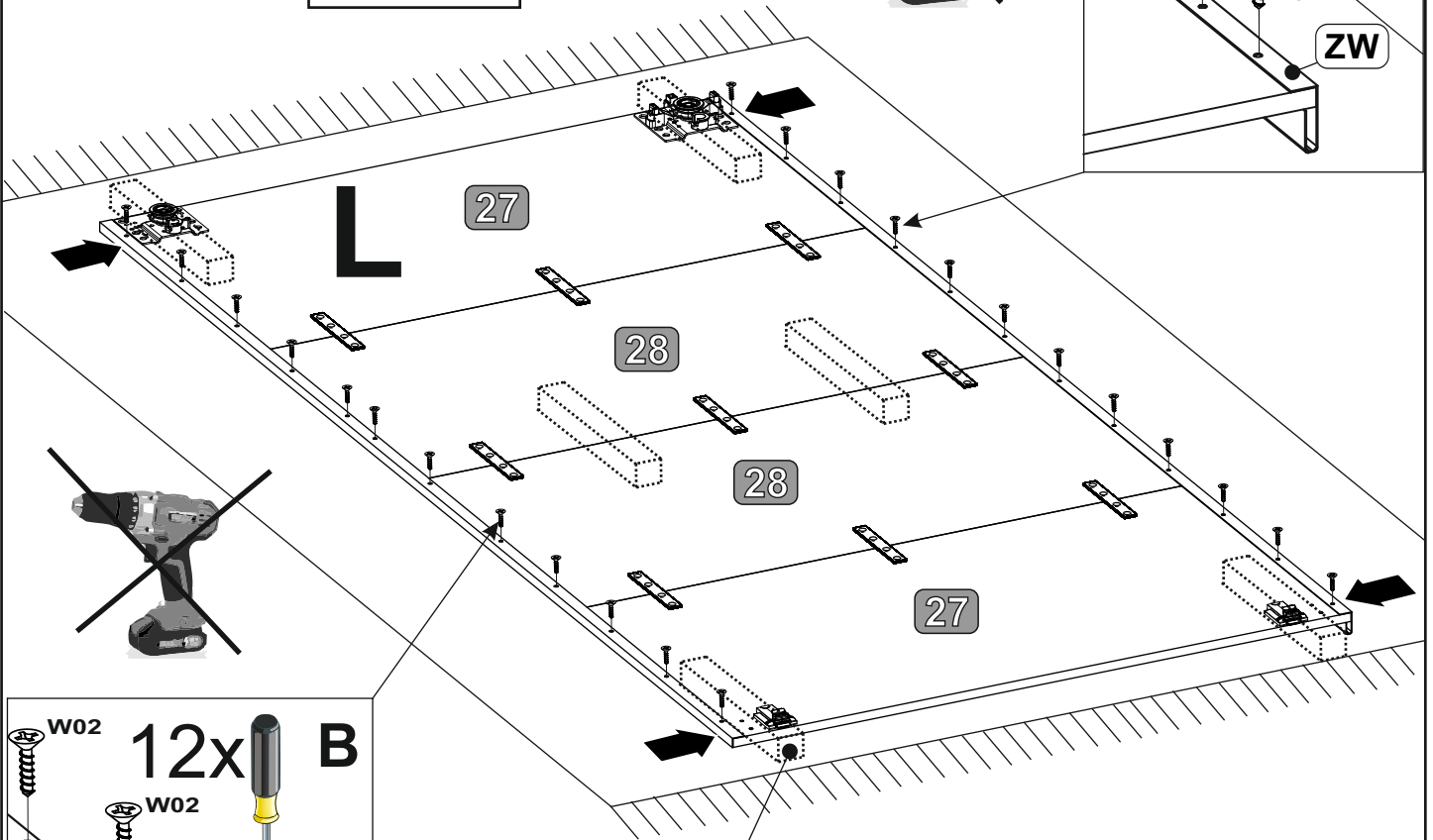
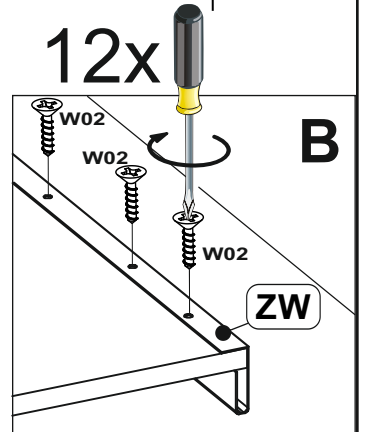
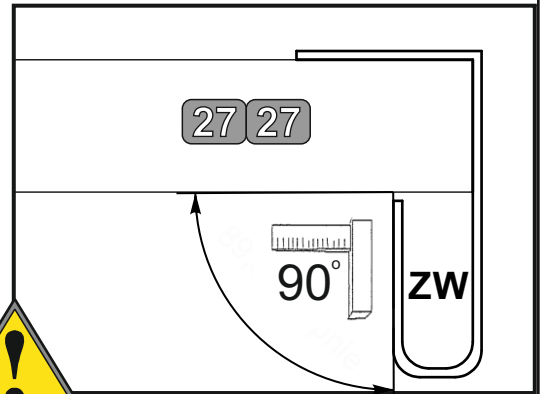
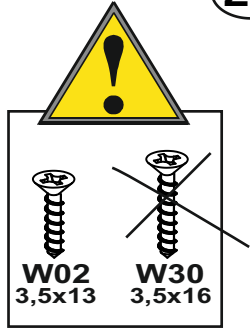
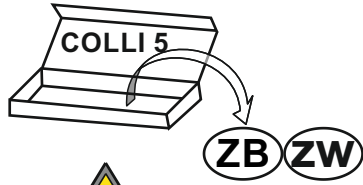
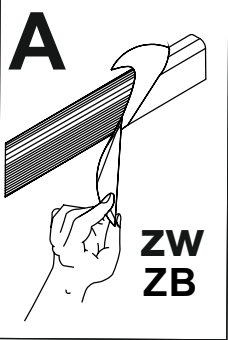
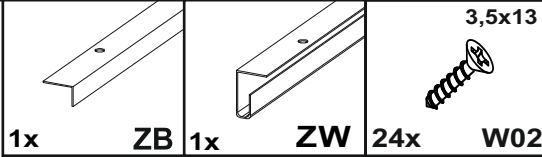
27 28



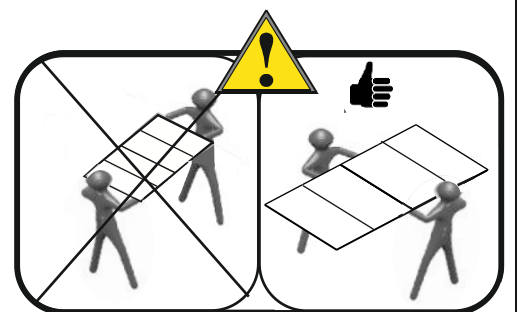
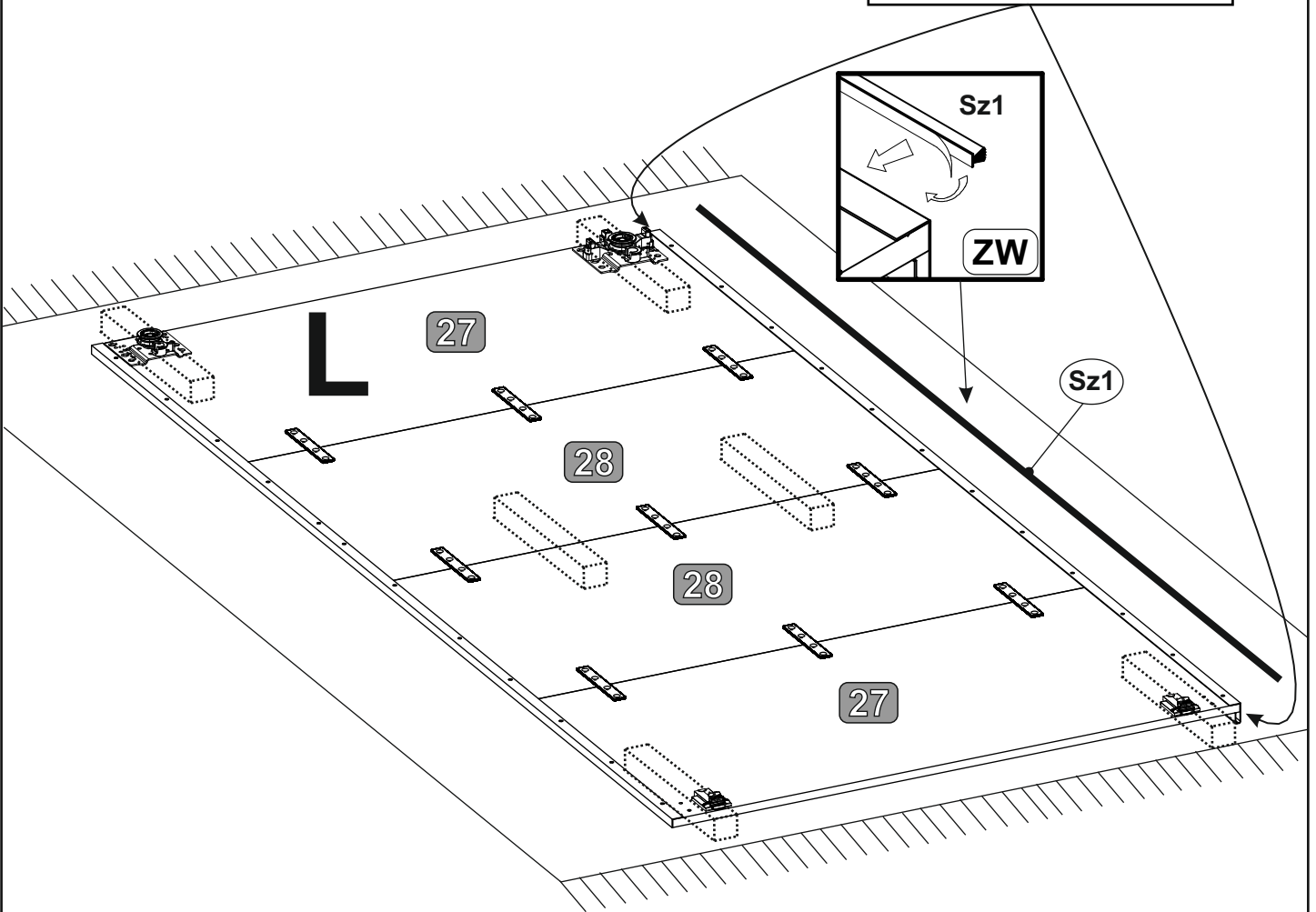
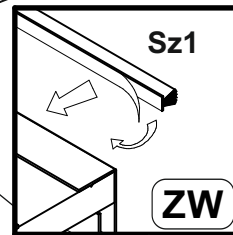
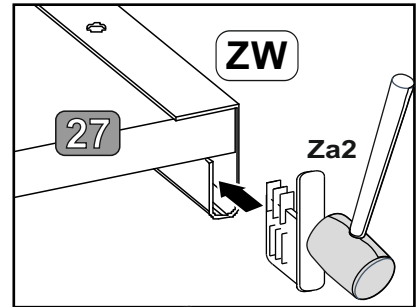
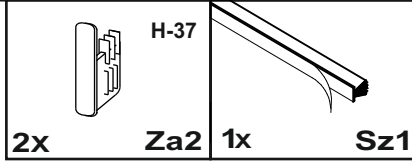
31



# 32



33



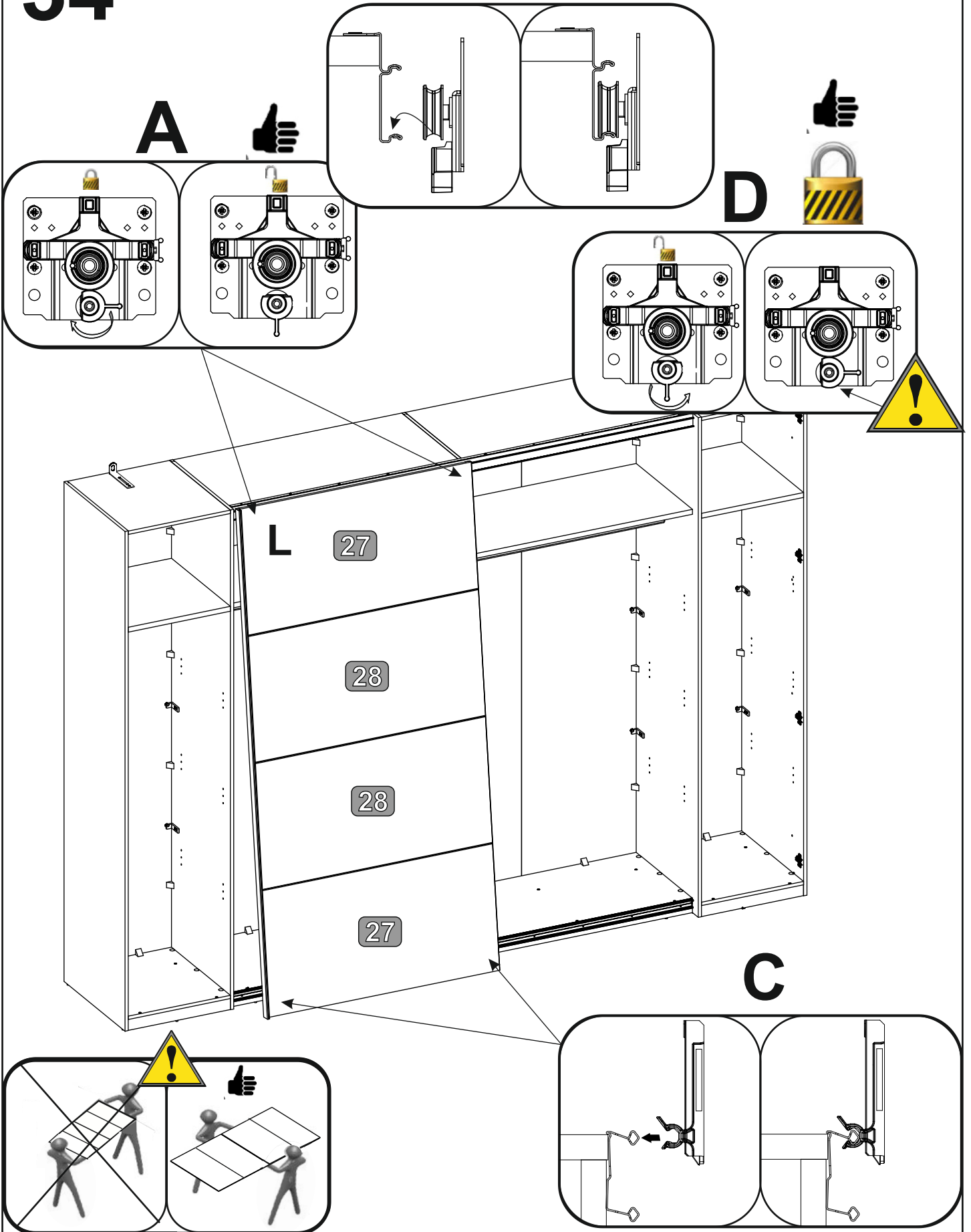
34

B

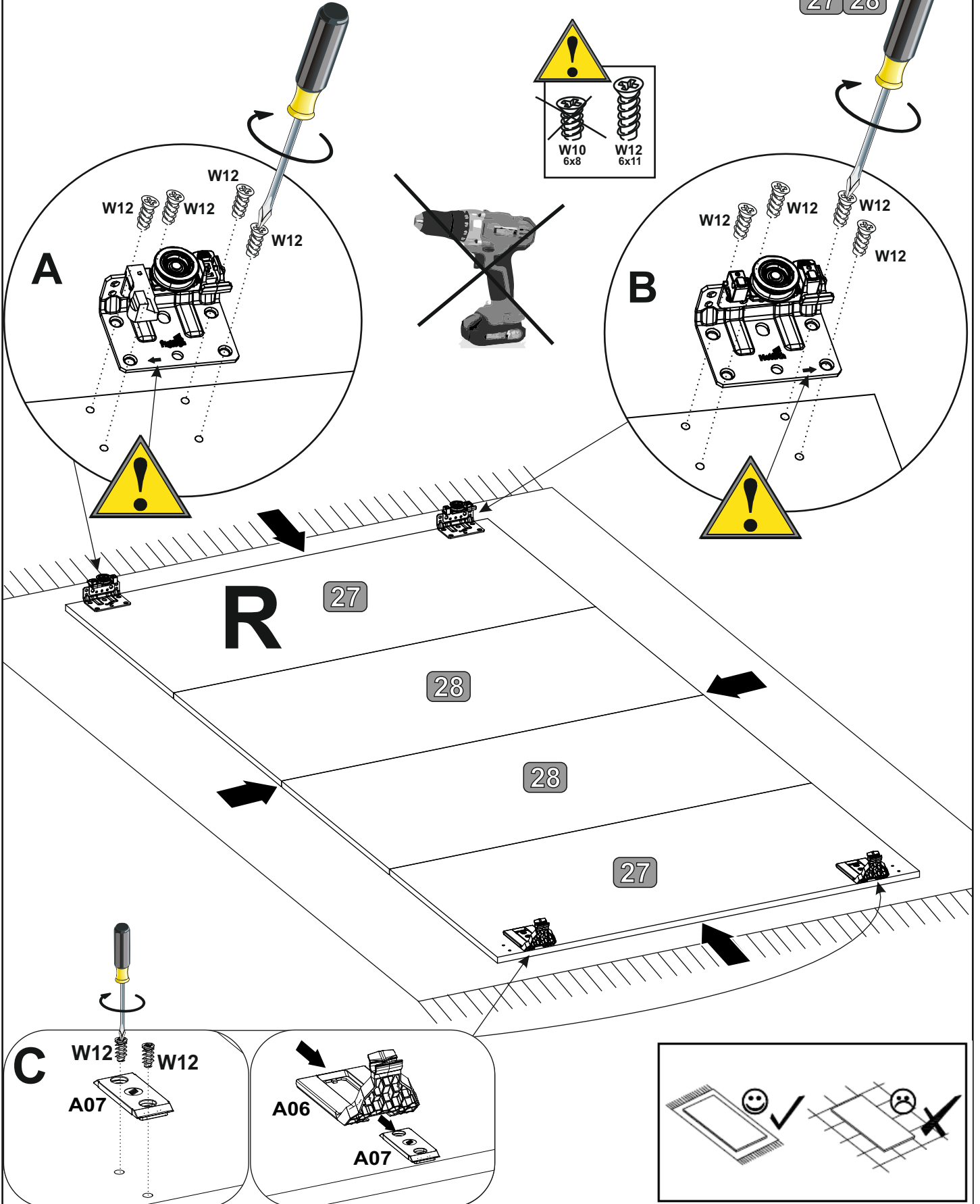
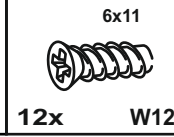
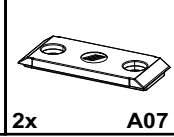
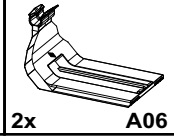
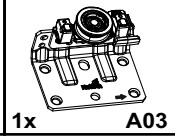
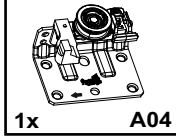
A

D

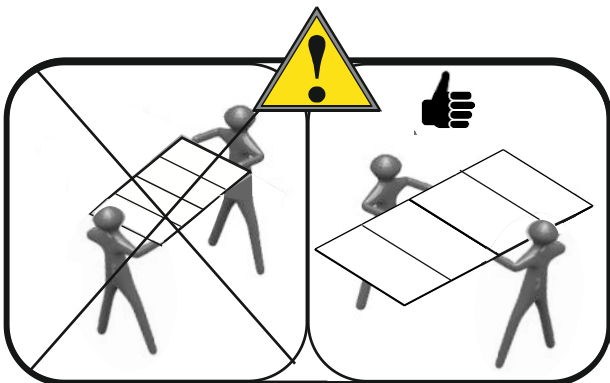
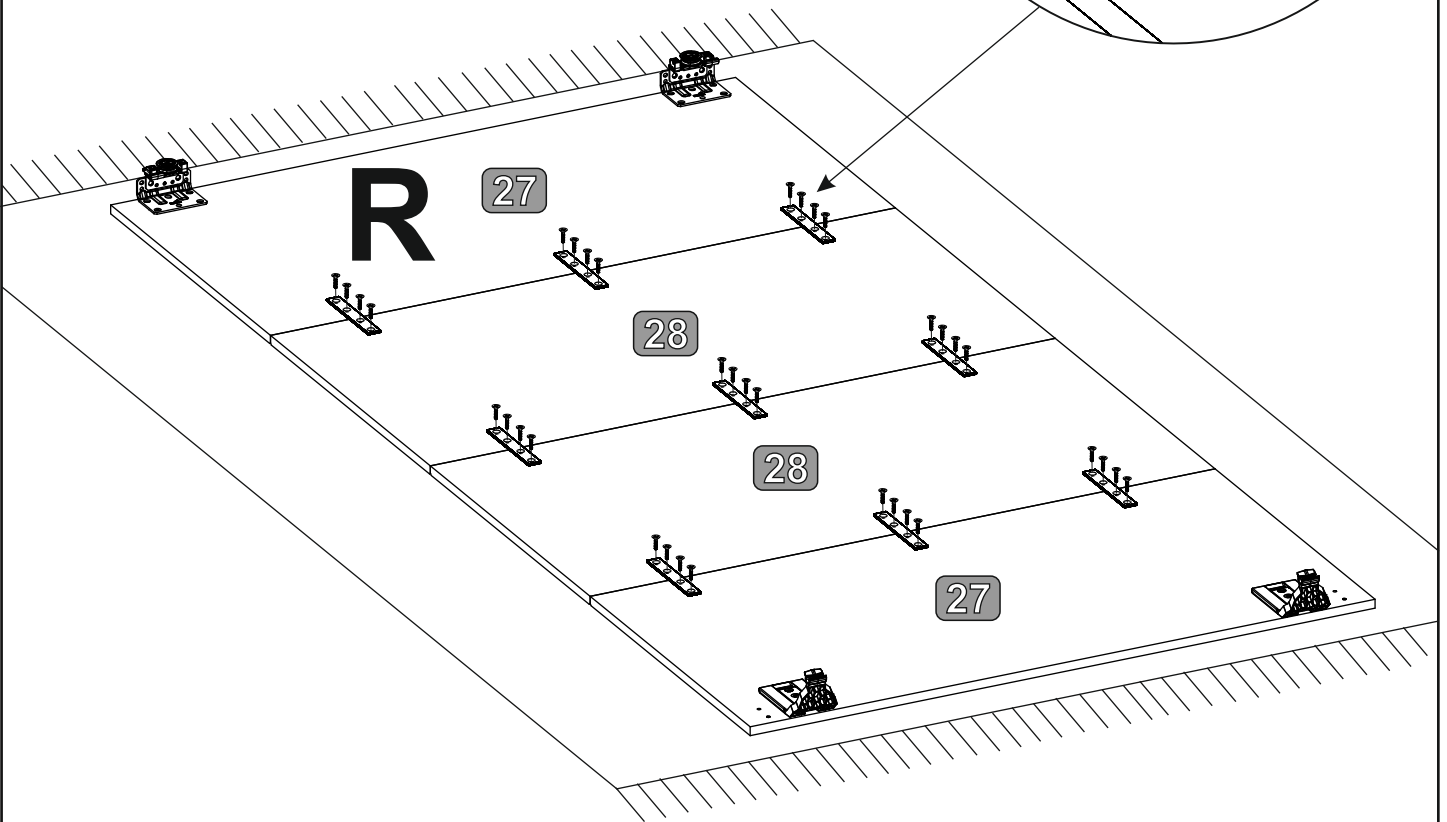
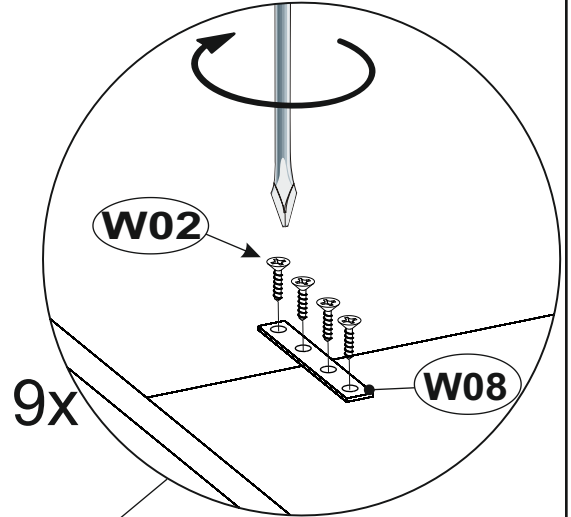
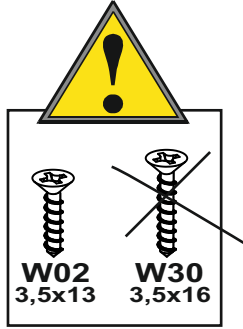
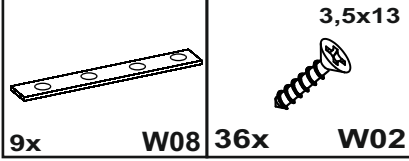
C



# 35

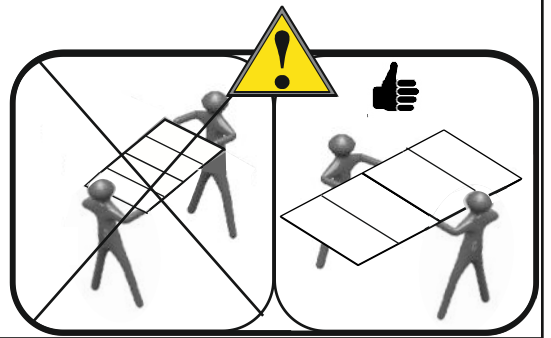
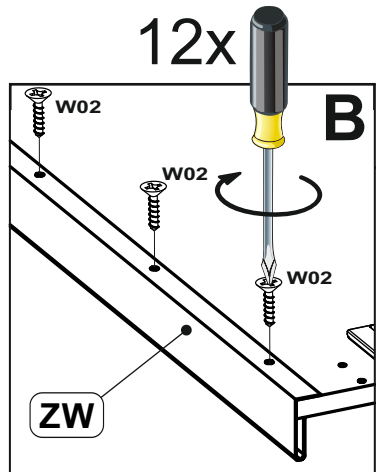
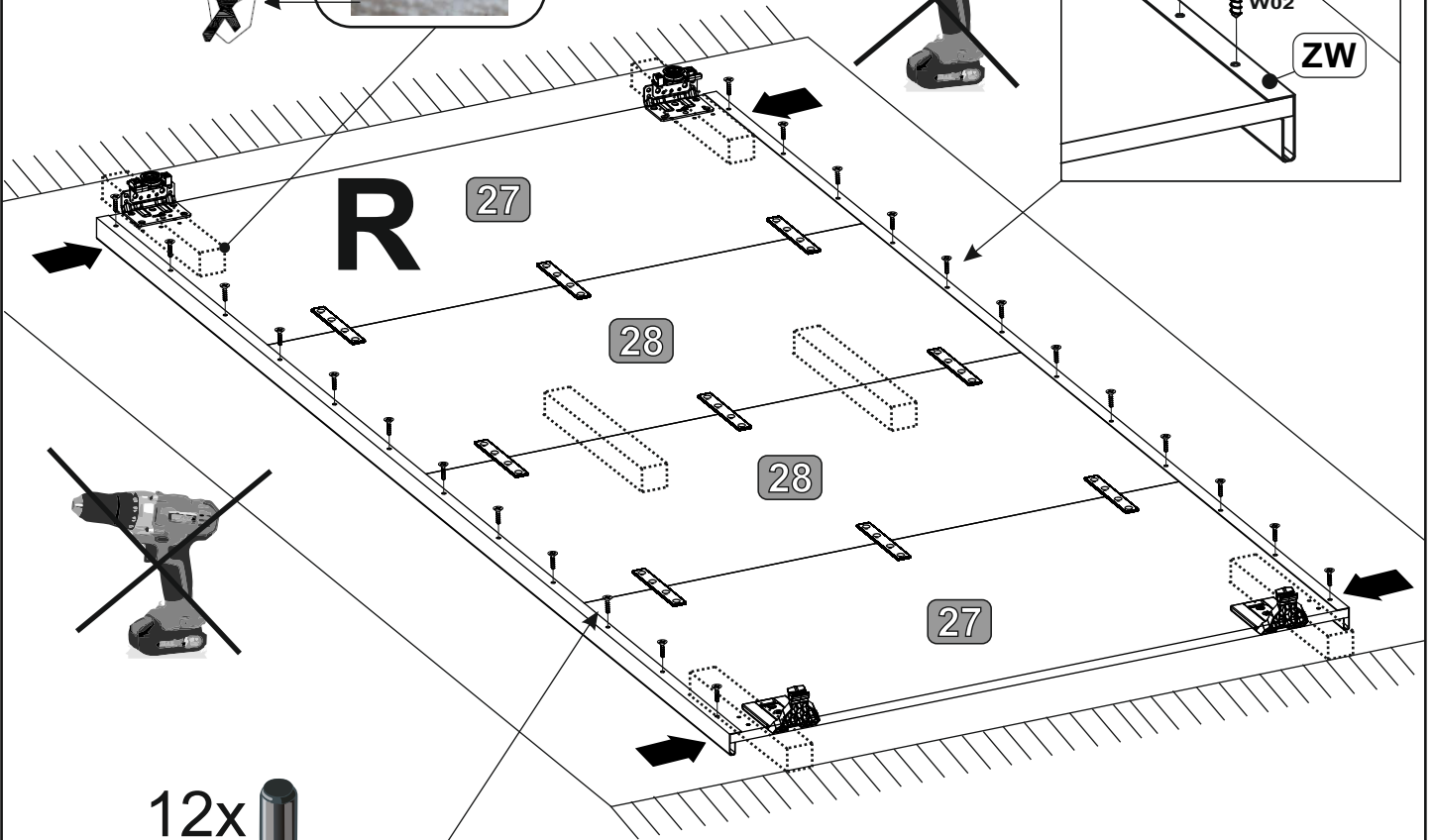
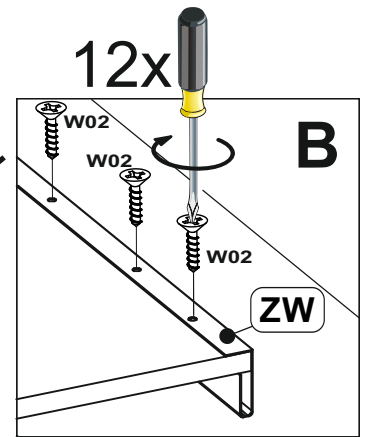
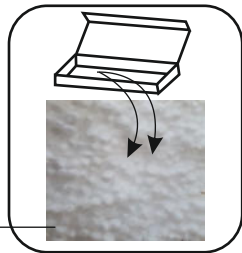
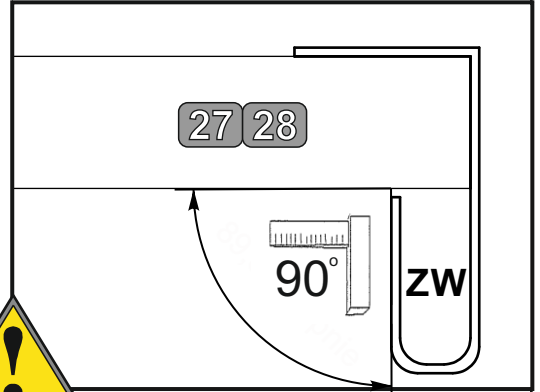
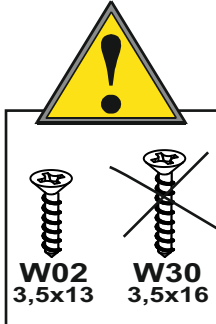
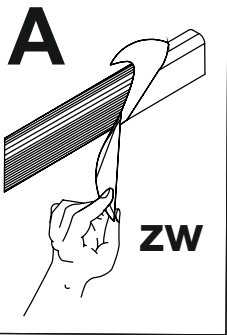
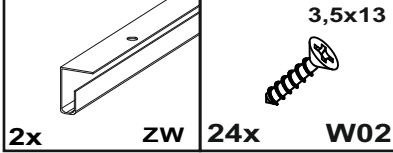


36

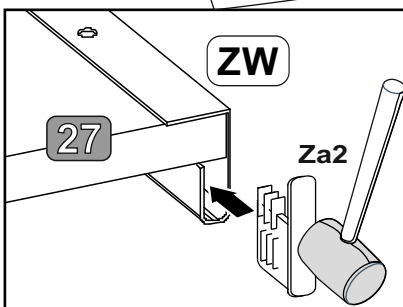
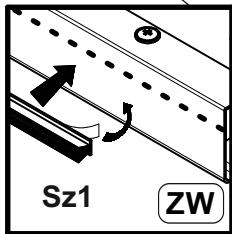
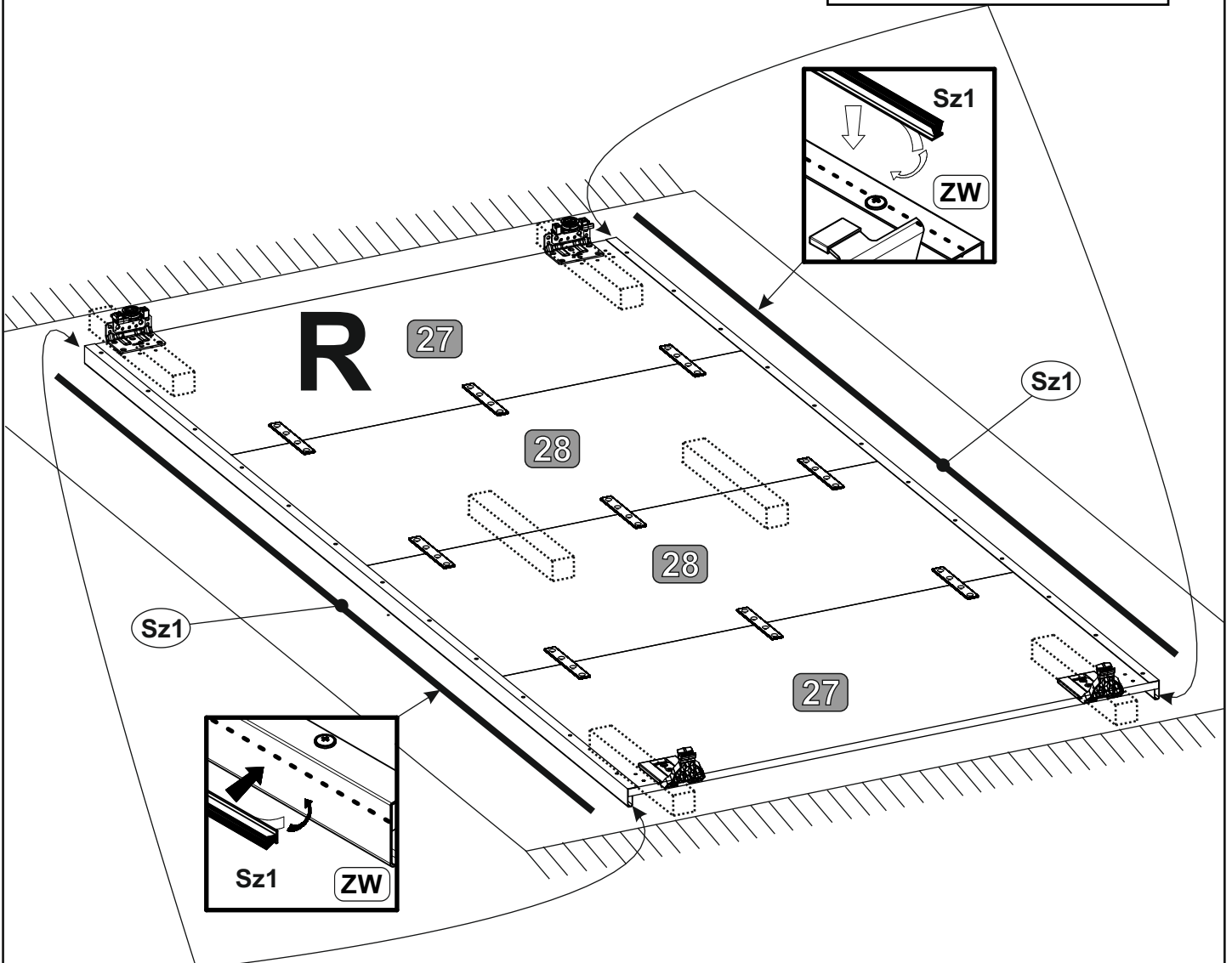
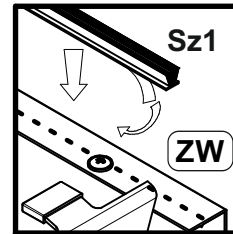
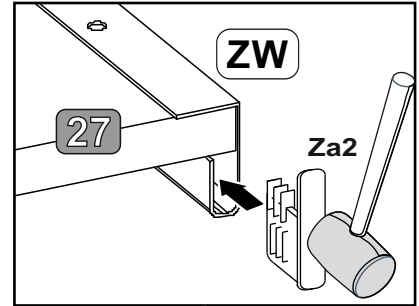
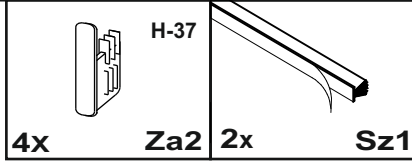




37

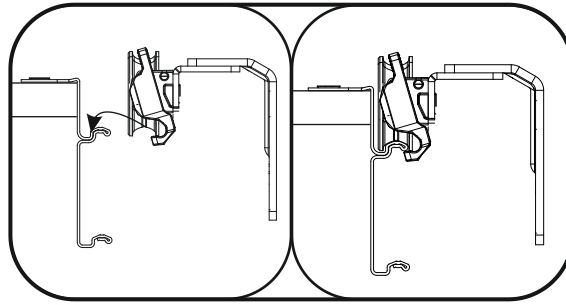


38

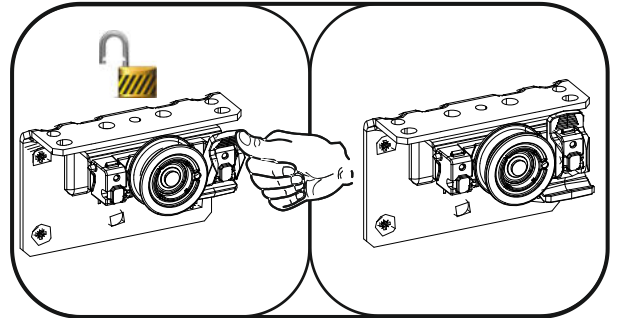


39

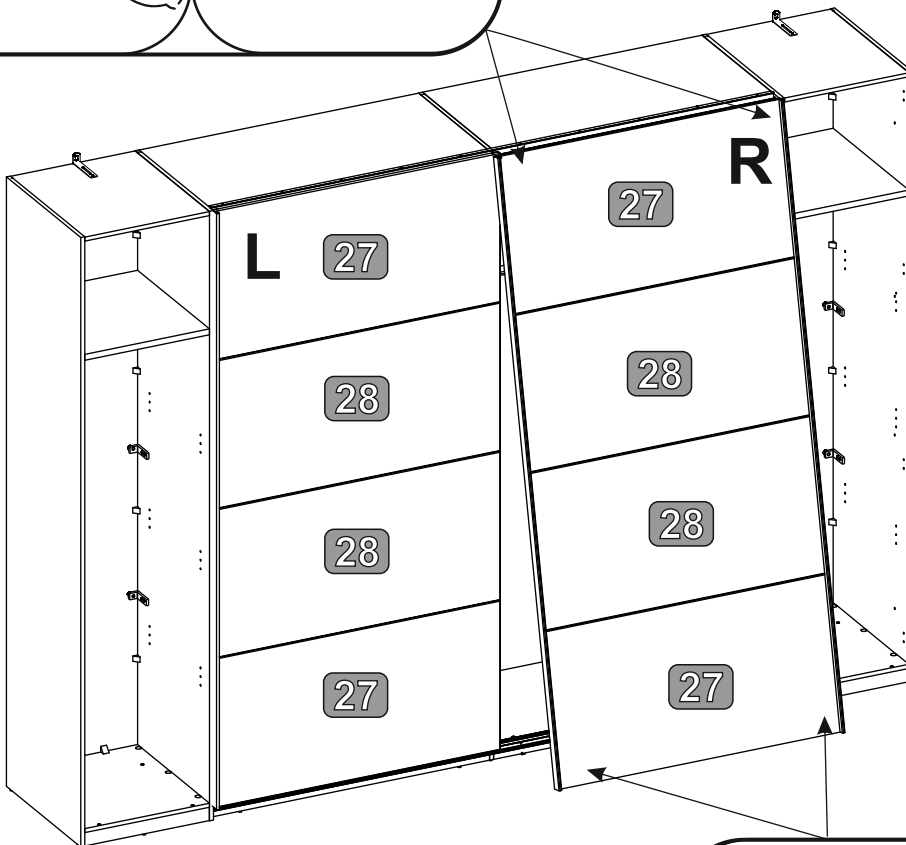
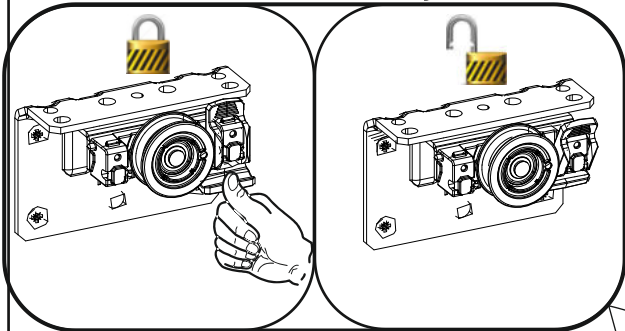
B



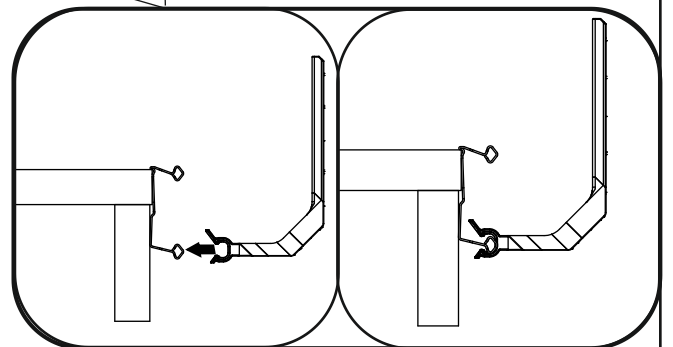
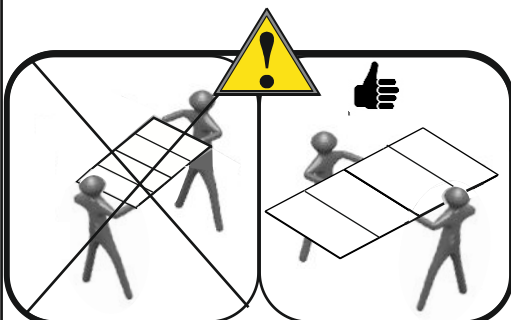
D



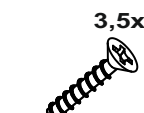
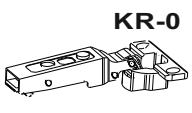
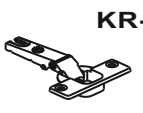
A

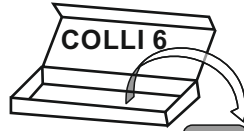


C

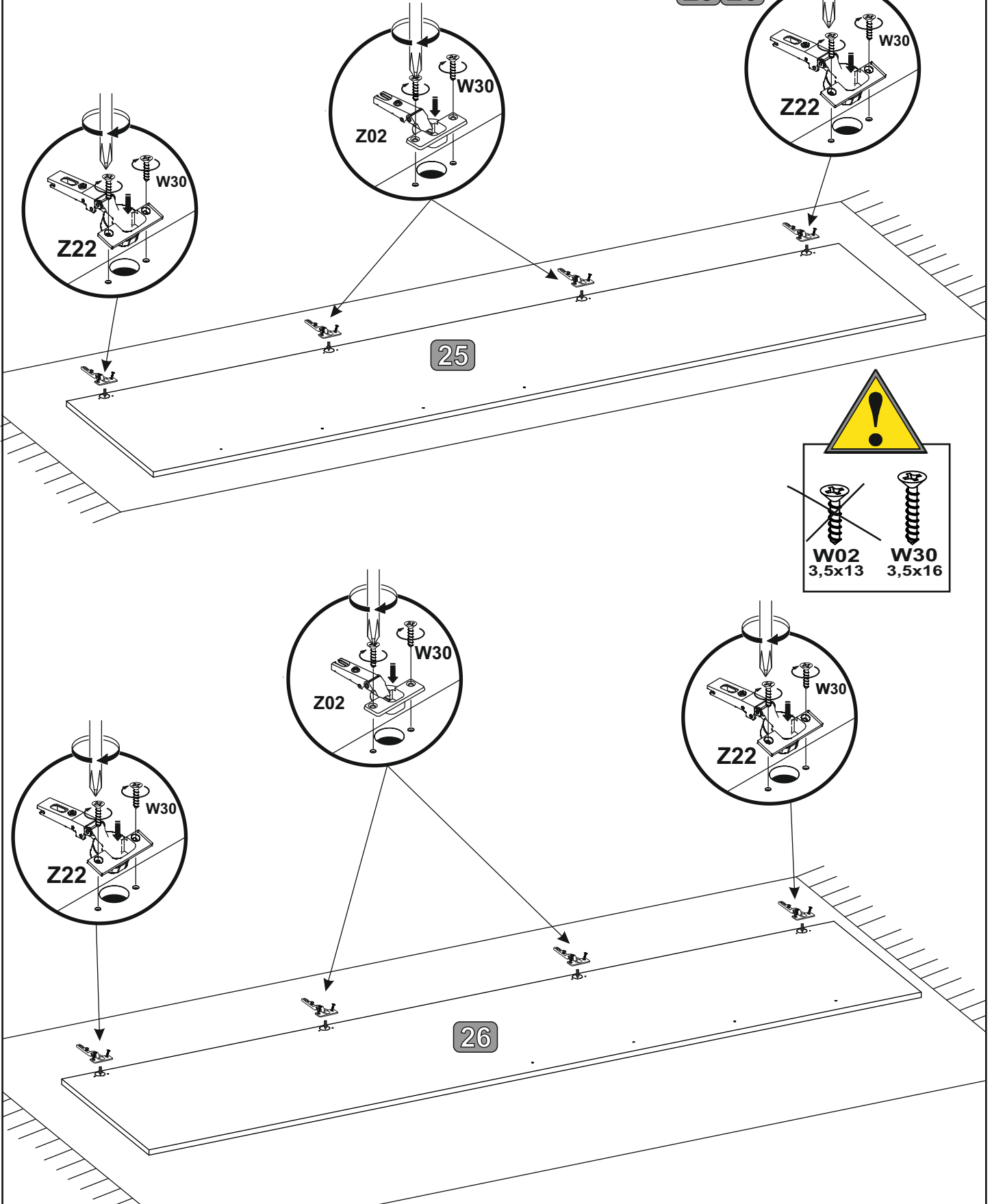


40

 3,5x16 W30	 KR-0 Z22	 KR-0 Z02
16x	4x	4x

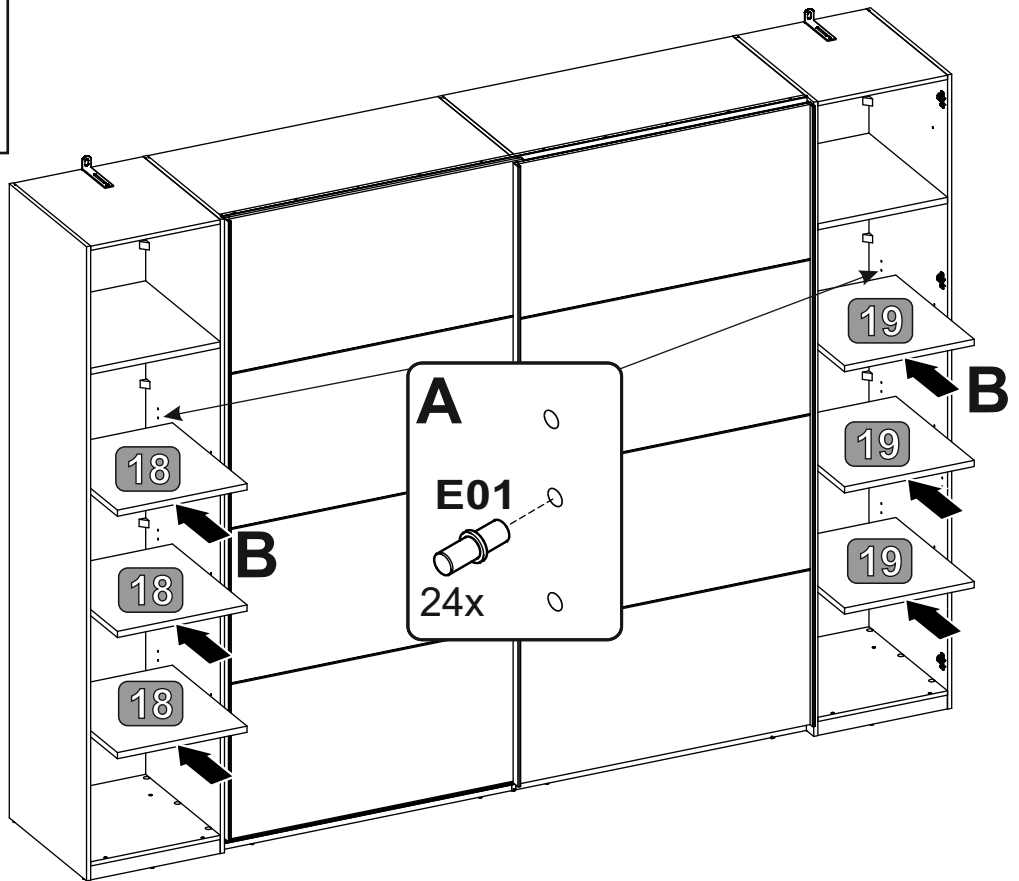
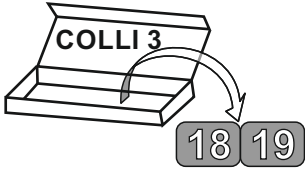


25 26



41

24x E01

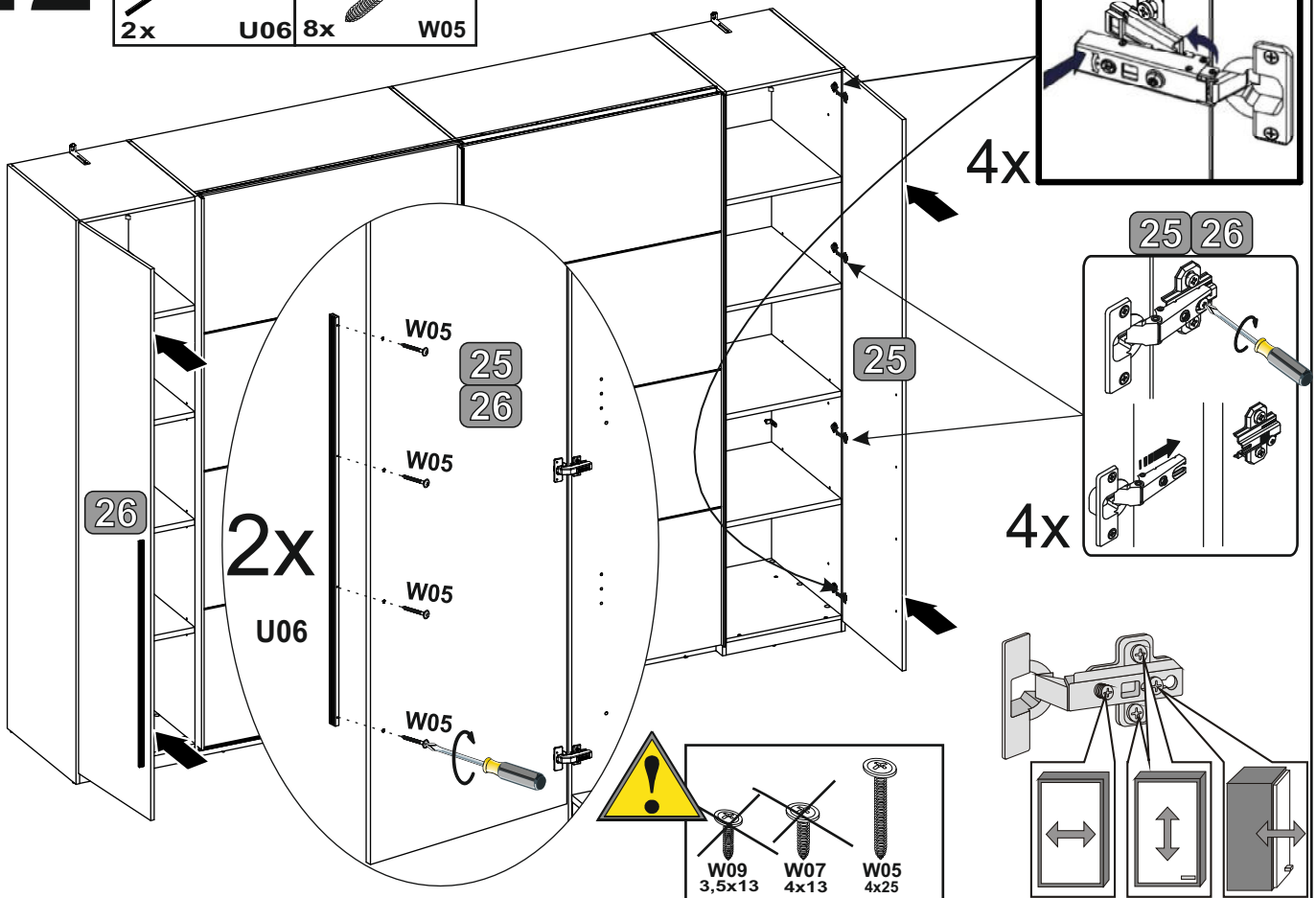


42

2x U06

8x W05

4x25



# 43

