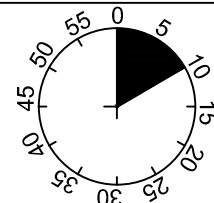
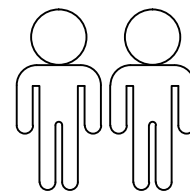
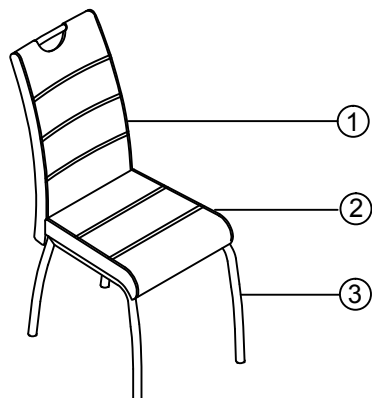


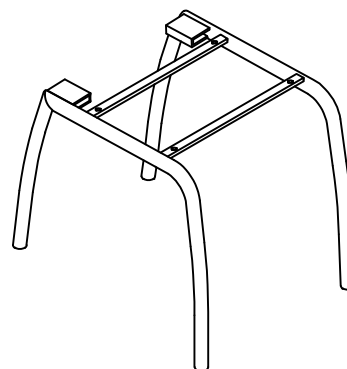
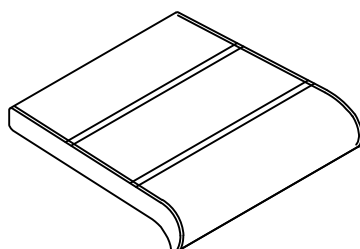
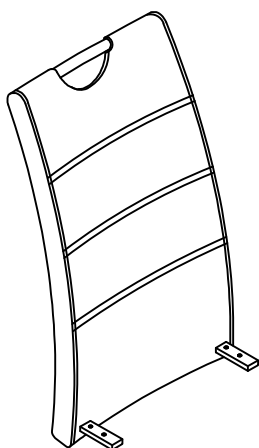
Susi



1

2

3



1	1x
2	1x
3	1x

A

M6x25

B

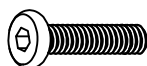
M6x12

C

Ø18xØ6x1.5

D

4MM



4x



4x



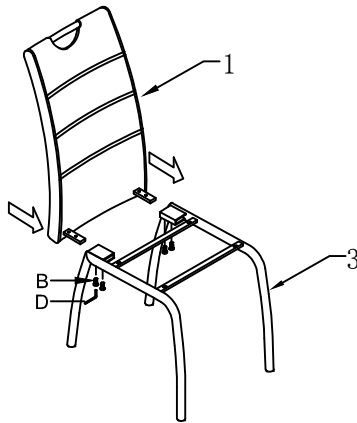
4x






1x

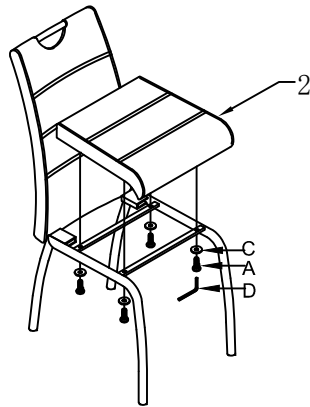
I.





1



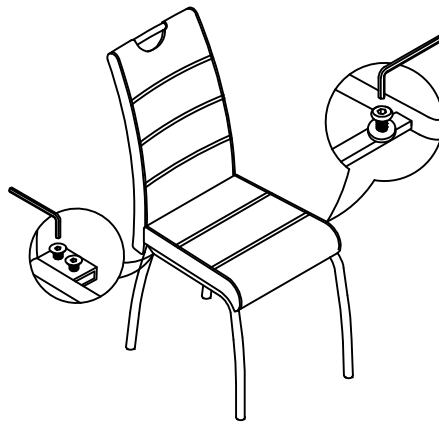
B	M6x12
	4x
D	4MM
	1x
	75%



2



A	M6x25
	4x
C	Ø18xØ6x1.5
	4x
D	4MM
	1x
	75%

3



D	4MM
	1x
	100%

4

