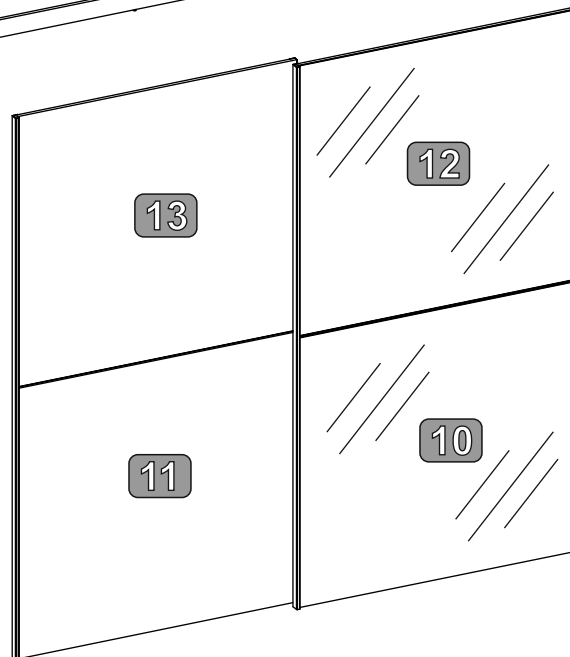
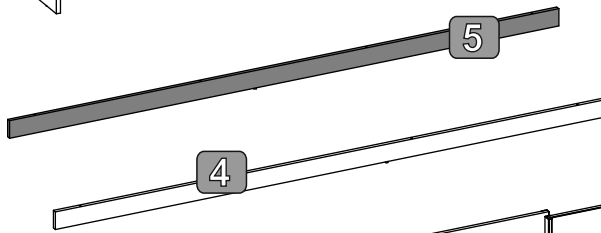
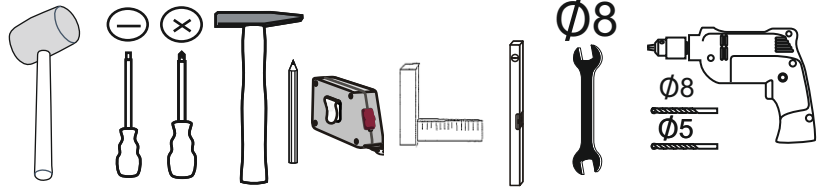
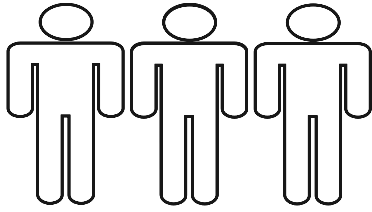
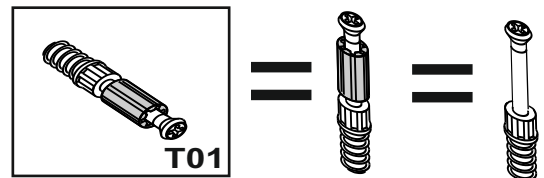
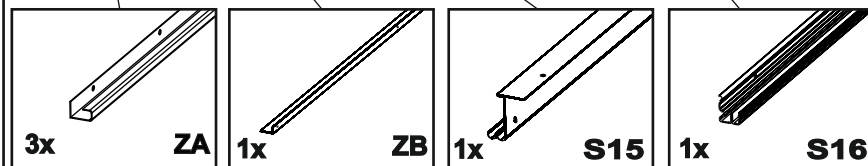
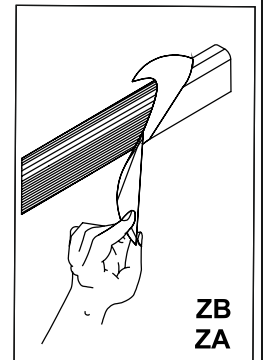
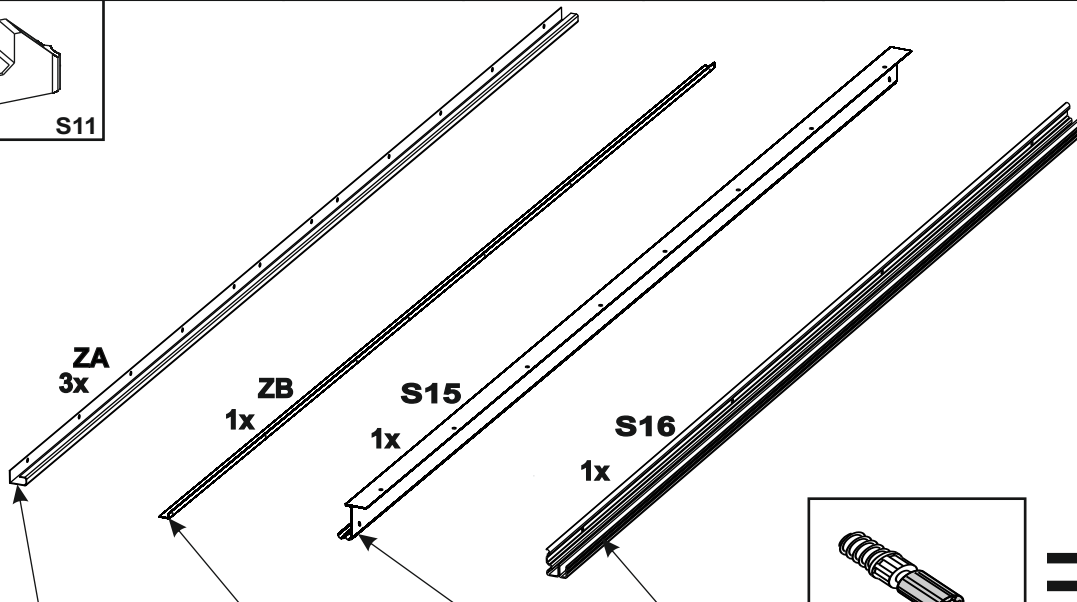
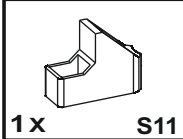


NR	DIM	QTE	COLLI
1	1052,5x420x22	2	1/5
2	2120x510x15	1	2/5
3	2017x1065x2	2	2/5
4	2120x66x15	1	2/5
5	2120x66x15	1	2/5
6	2120x526x15	1	2/5
7	2095x529x15	1	3/5
8	1998x440x15	1	3/5
9	2095x558x15	1	3/5
10	1090x1025x18	1	4/5
11	1090x1025x15	1	4/5
12	1090x1025x15	1	5/5
13	1090x1025x15	1	5/5



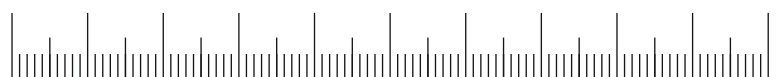


4x E03	28x R01	10x C01	8x C02	6x ZA3	14x T05	3x KL2
4x R02	14x T04	10x T02	10x T01	10x S01	8x W09	8x W16
1x K02	8x D01	8x W03	4x W36	8x W07	6x W08	105x W02
2x F01	2x F11	2x P01	2x J01			
2x S14	2x S13	2x S10	2x S12	2x W05S	2x E05	2x E04

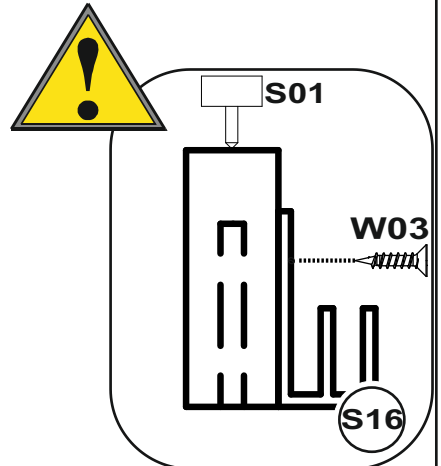
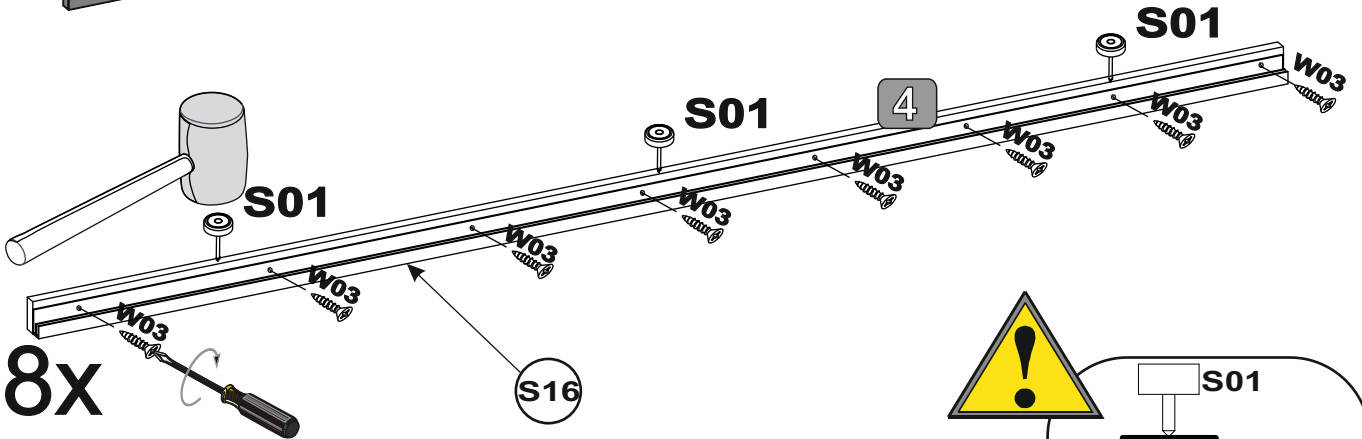
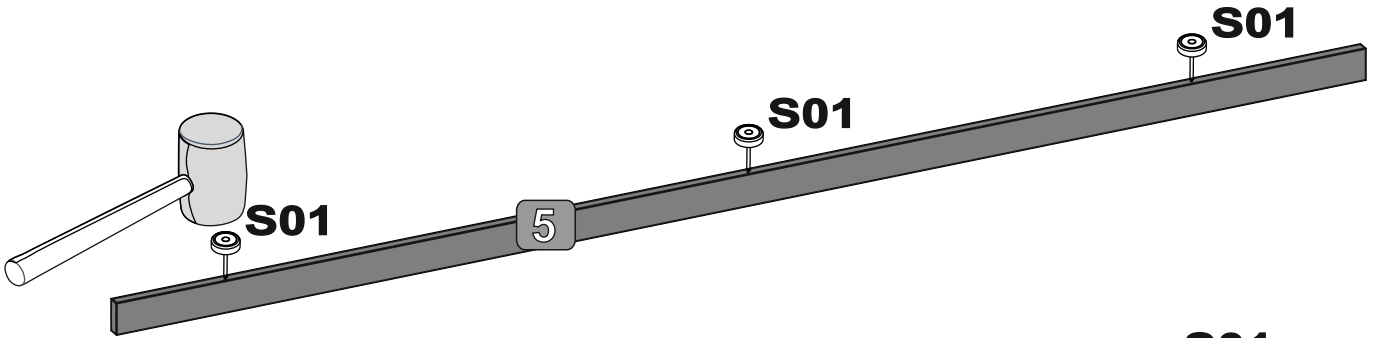
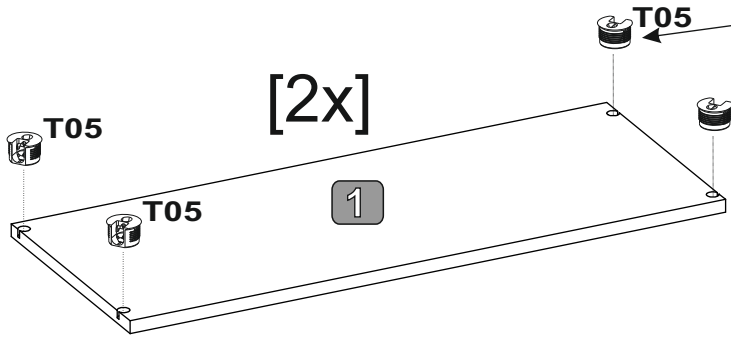
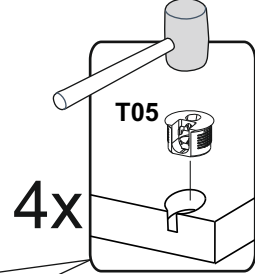
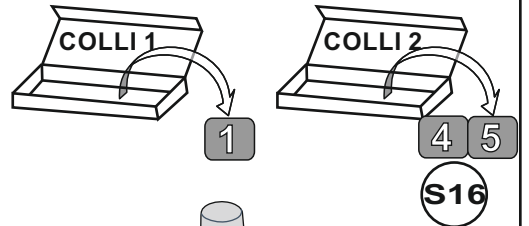
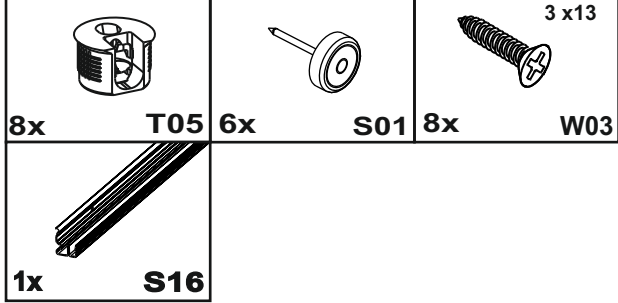


NR	DIM	QTE	COLLI
S16	L-2118	1	2/5
S15	L-2118	1	2/5
ZA	L-2050 H-29	3	2/5
ZB	L-2050	1	2/5

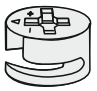
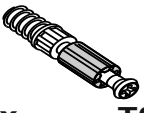
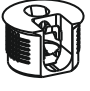
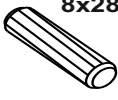
0 10 20 30 40 50 60 70 80 90 100



1

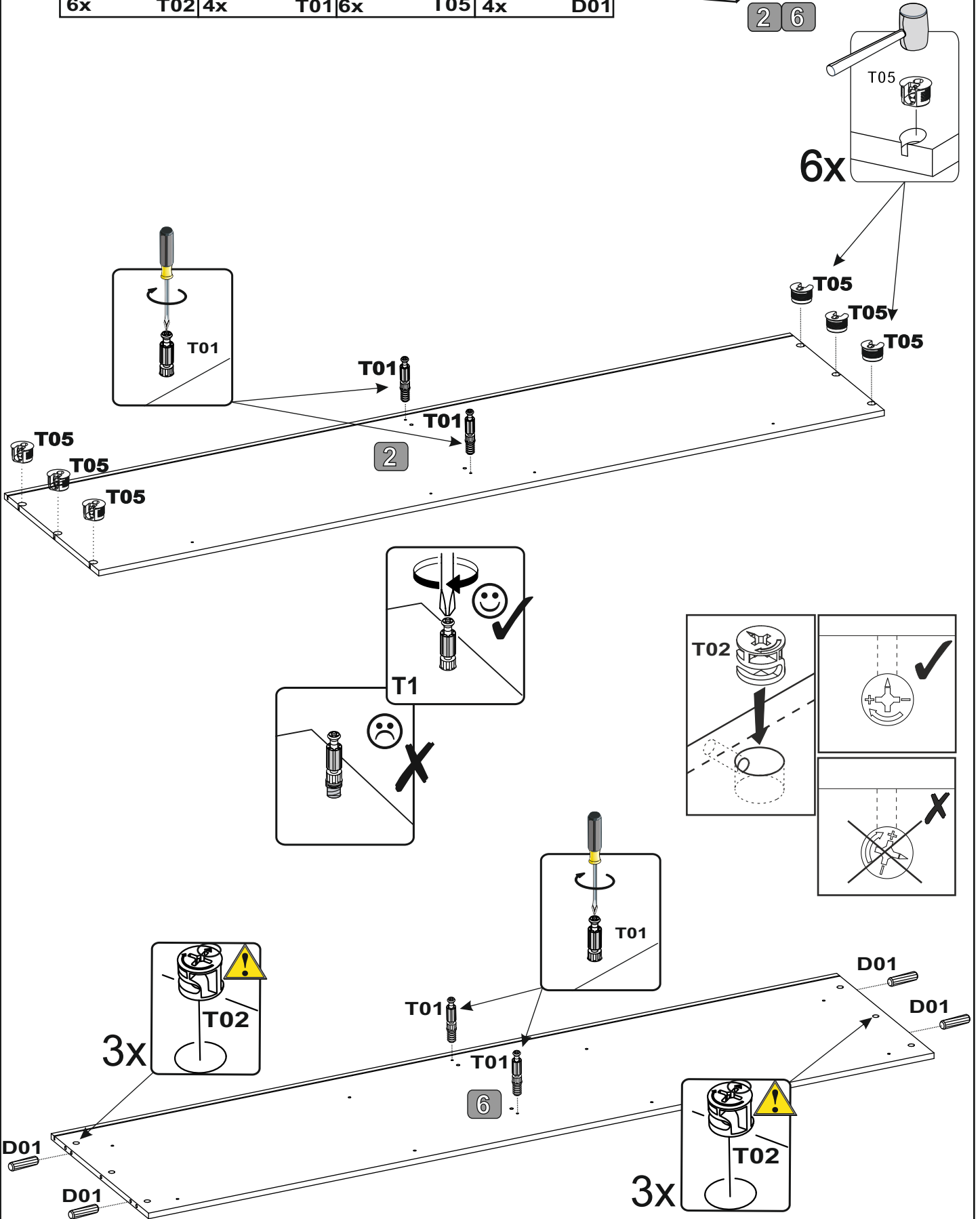


2

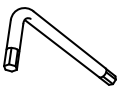

 15x12 6x T02	 4x T01	 6x T05	 8x28 4x D01
--	---	---	---

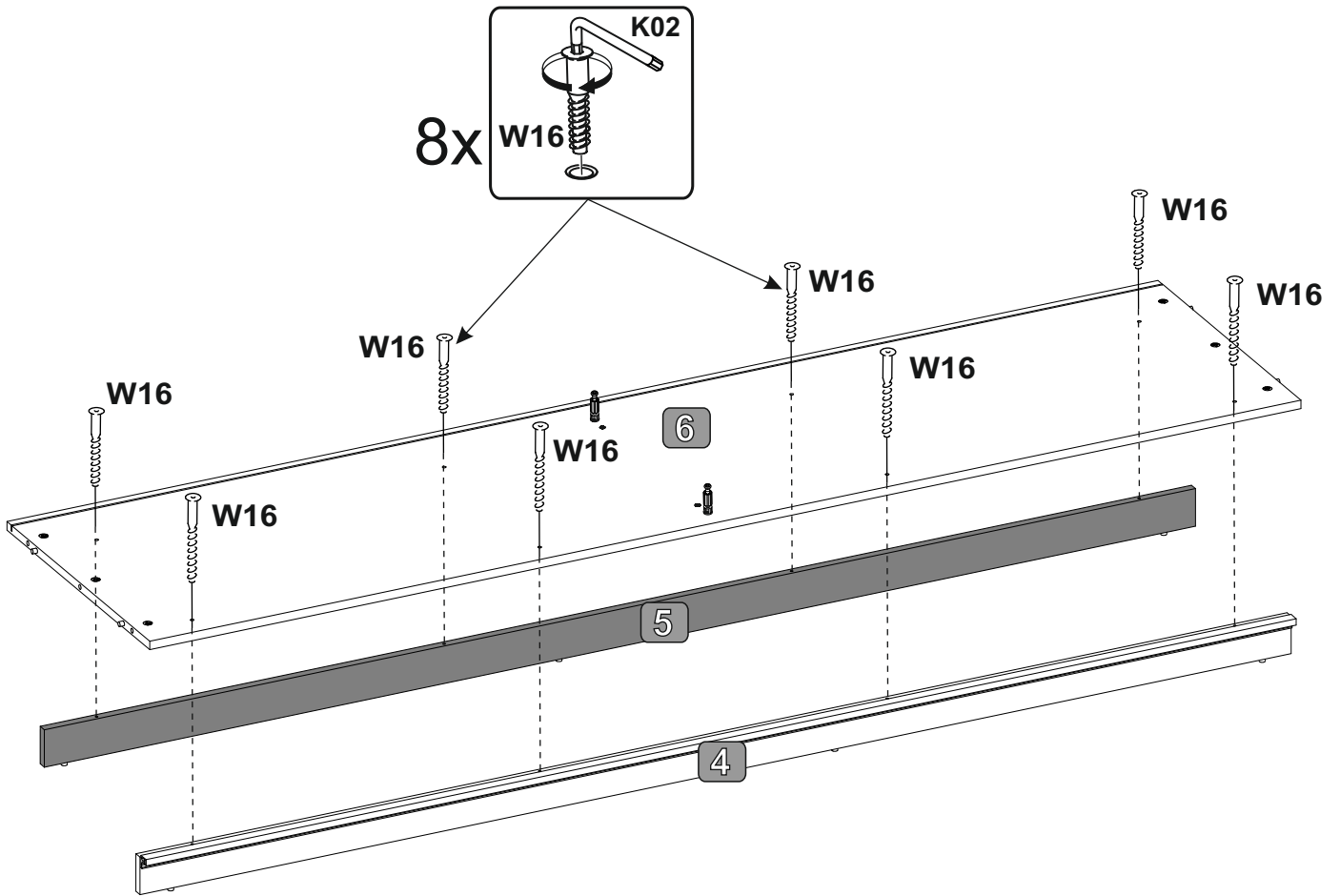
COLLI 2

2 6



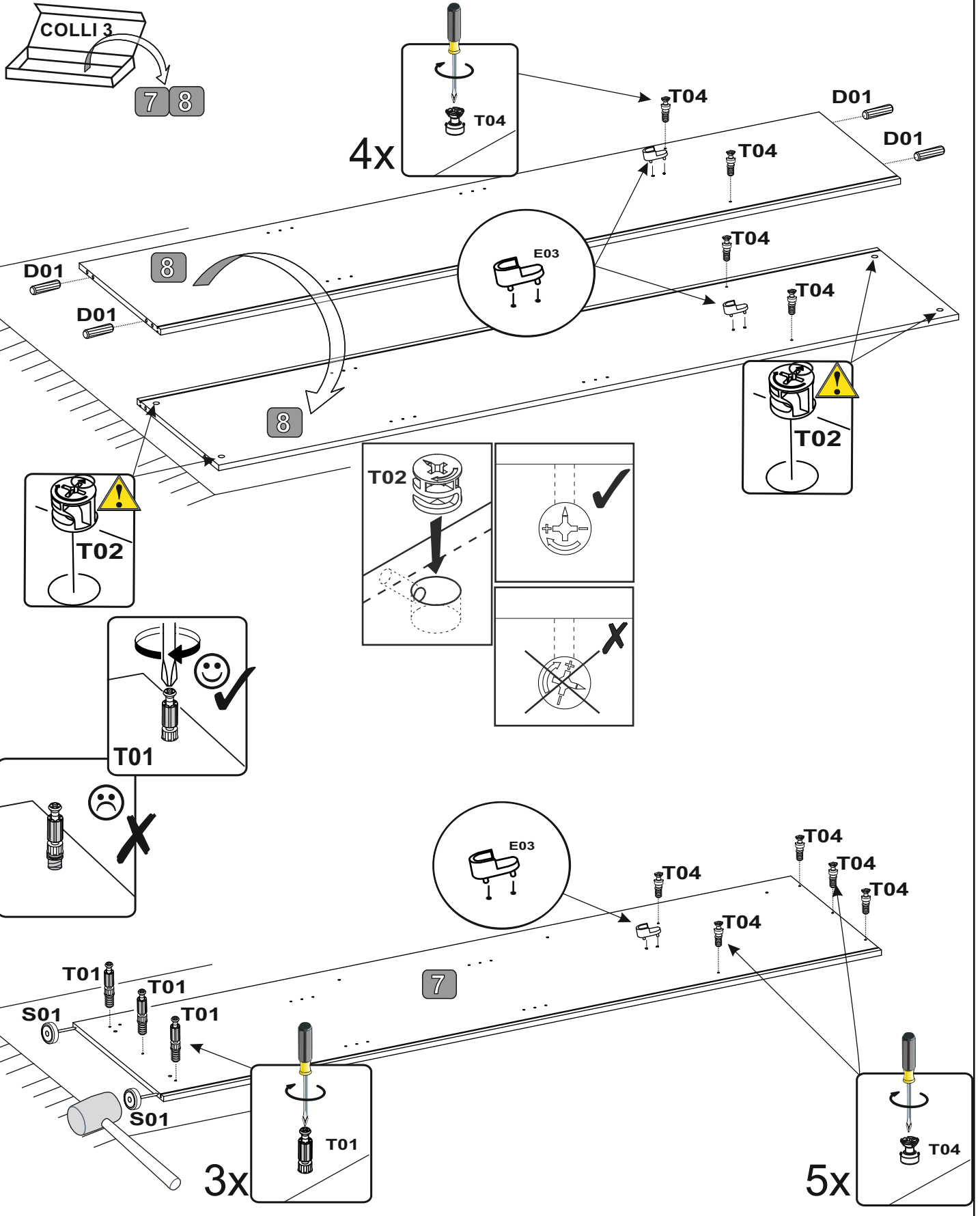
3

	L3		5x40
1x	K02	8x	W16

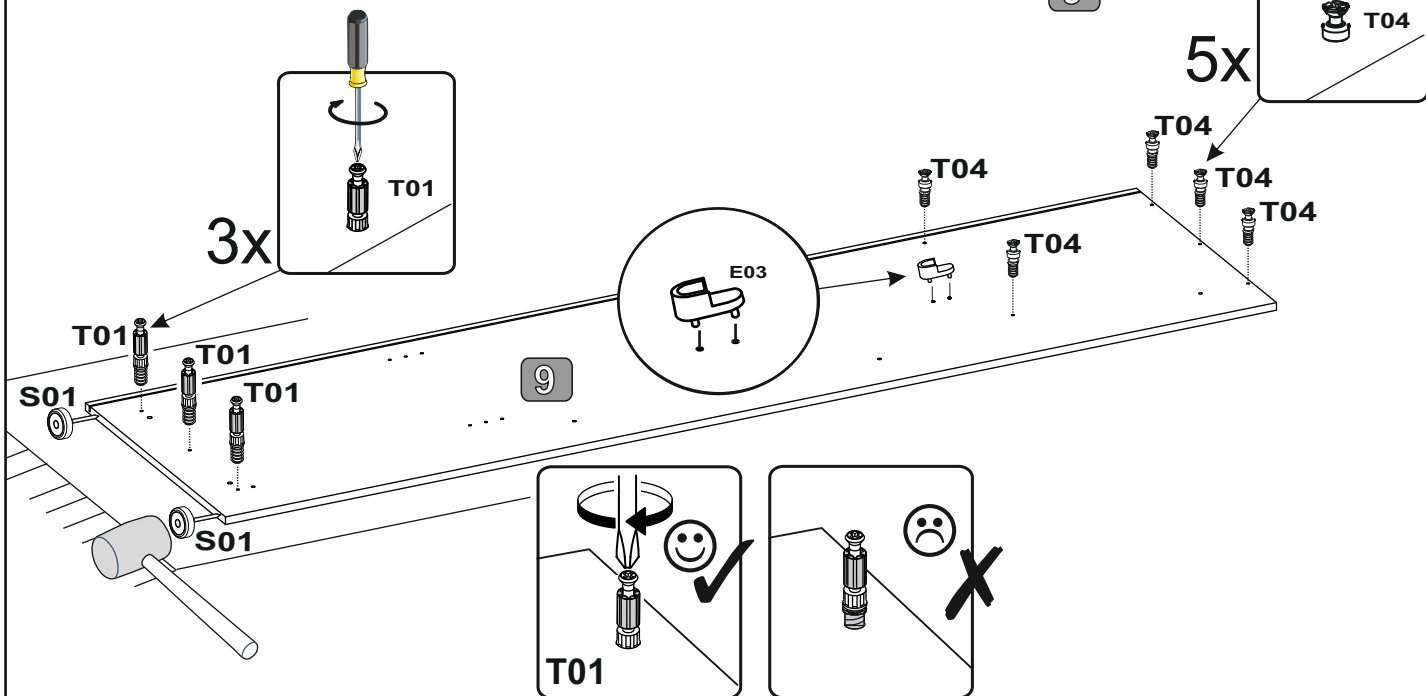
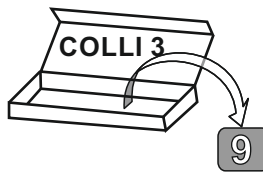
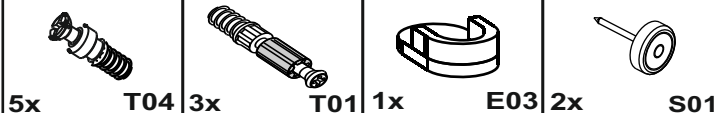


4

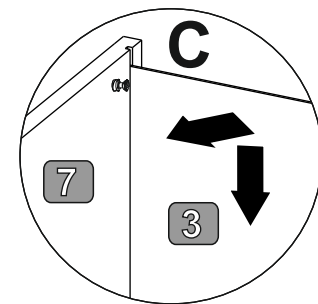
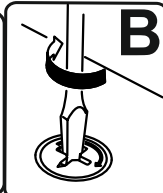
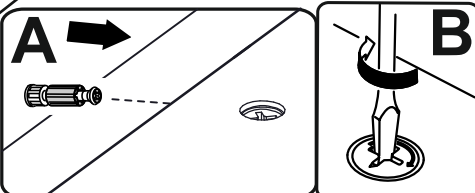
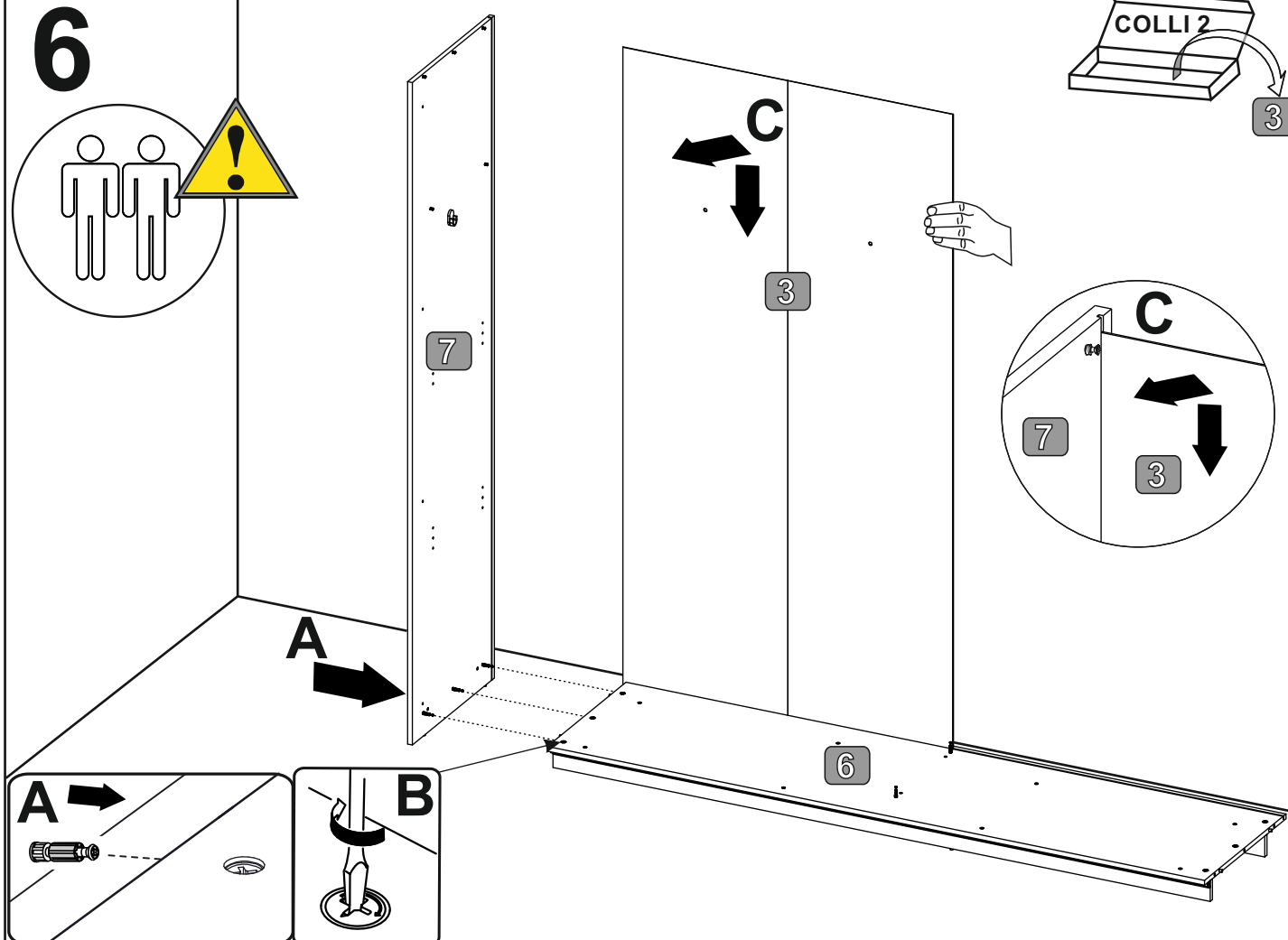
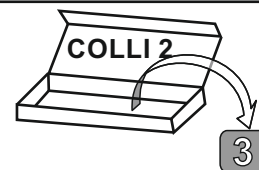
2x S01 9x T04 4x T02 3x E03 4x D01 3x T01



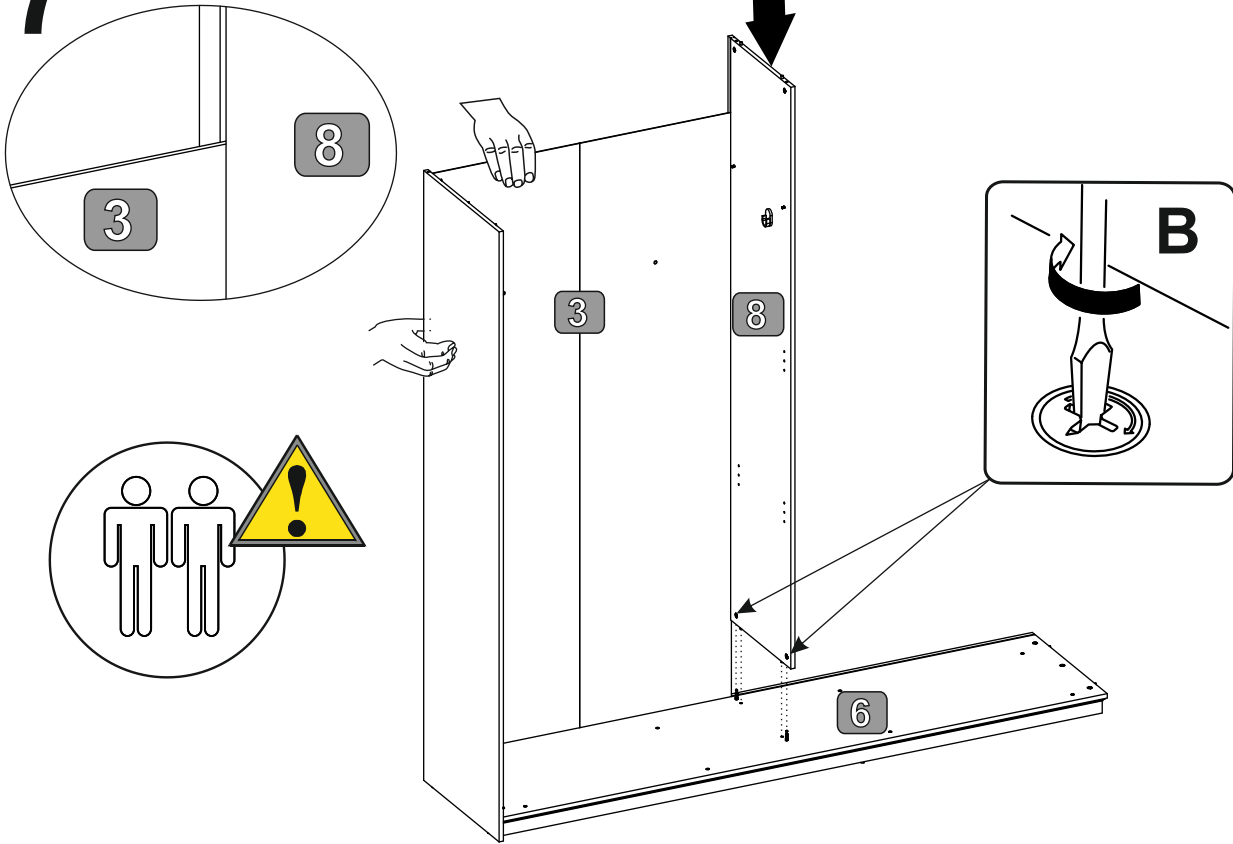
5



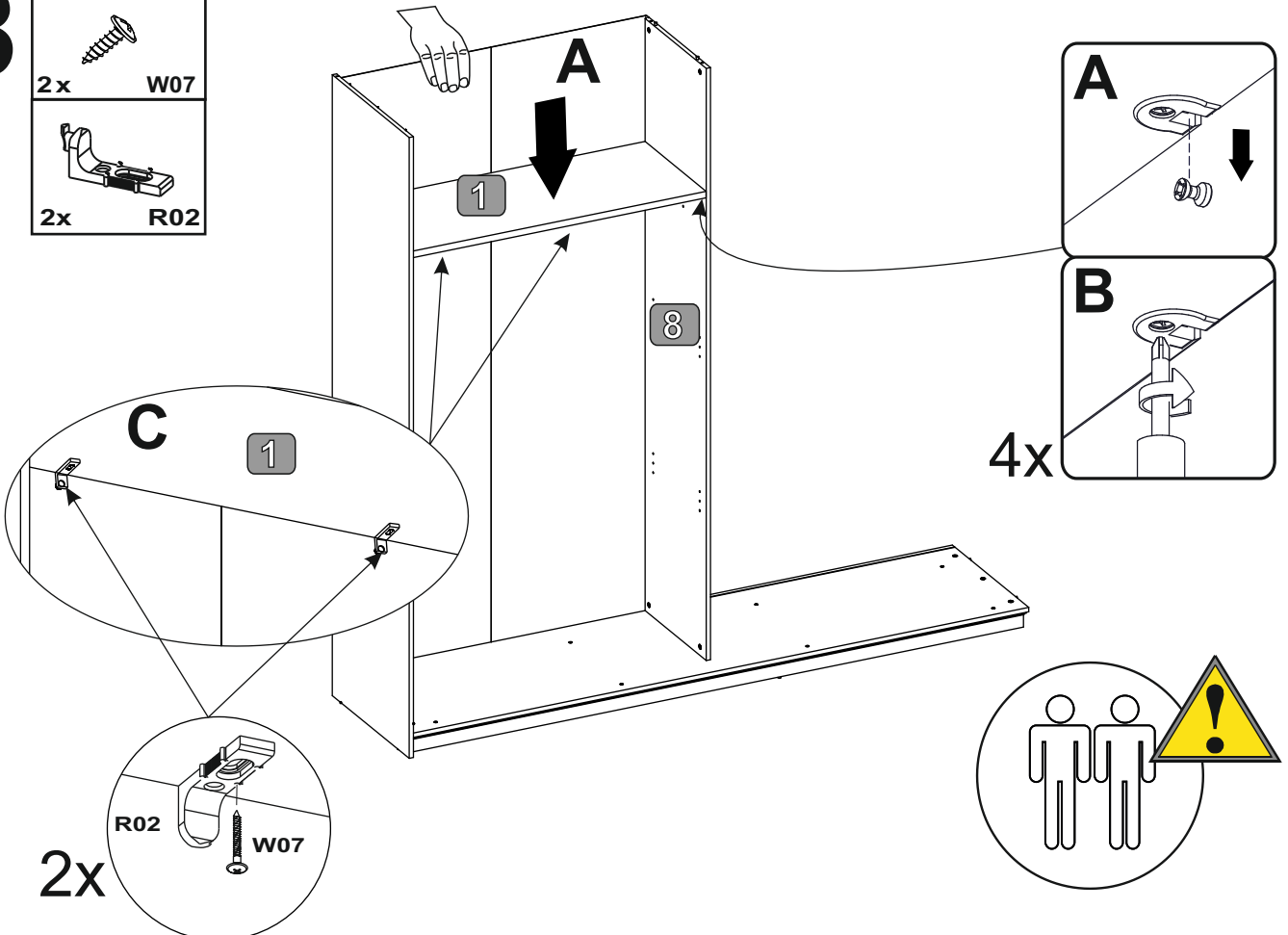
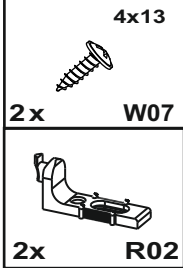
6



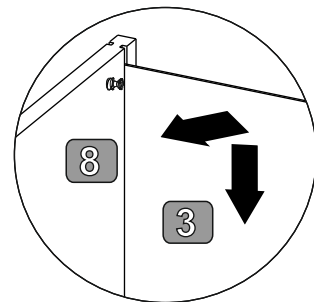
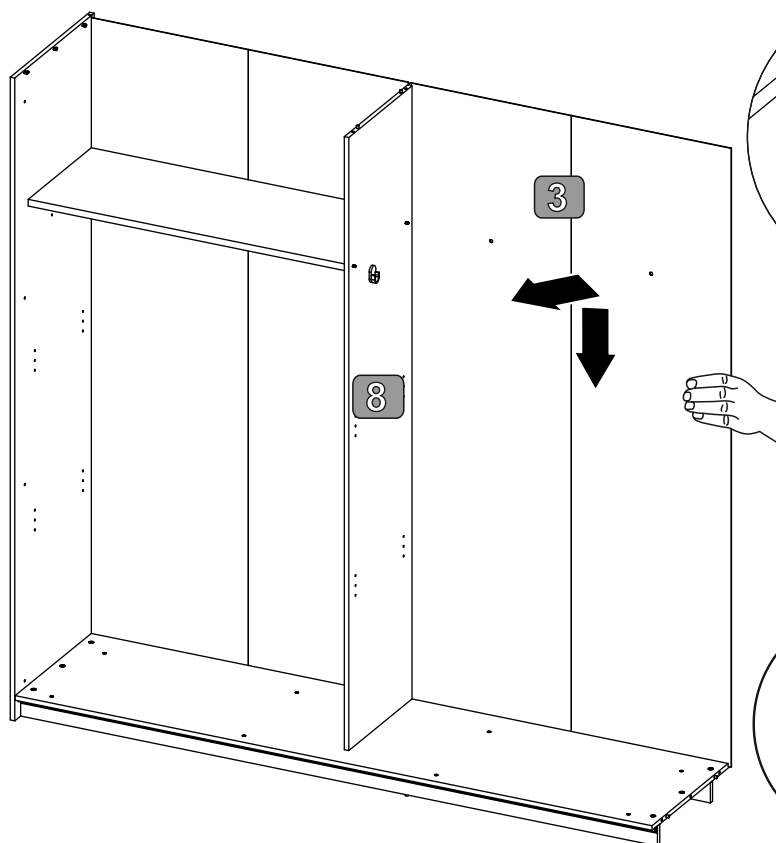
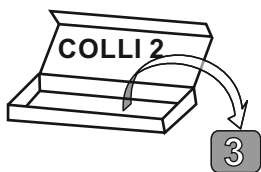
7



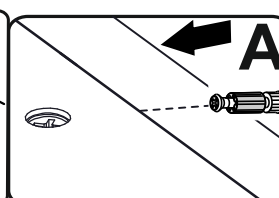
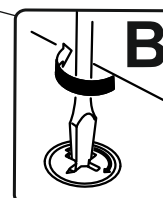
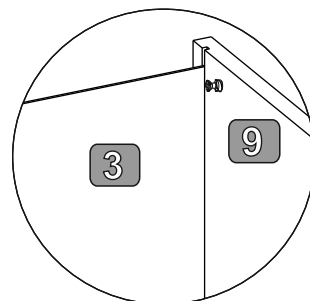
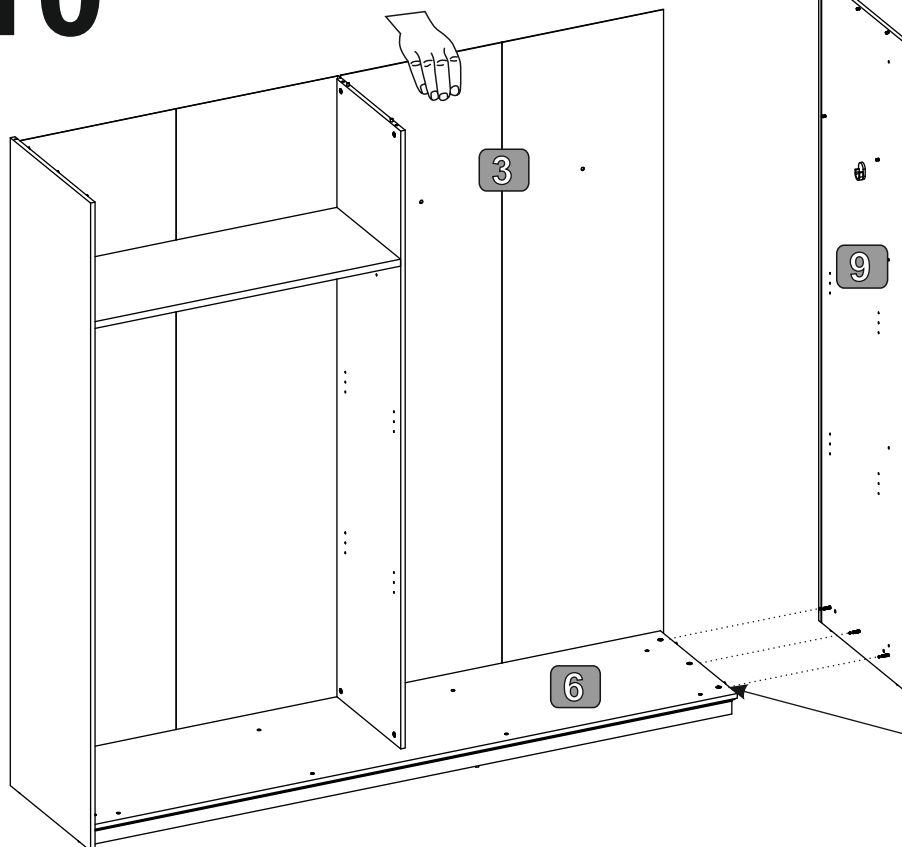
8



9

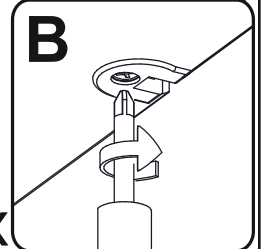
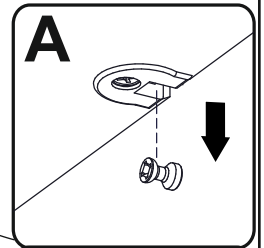
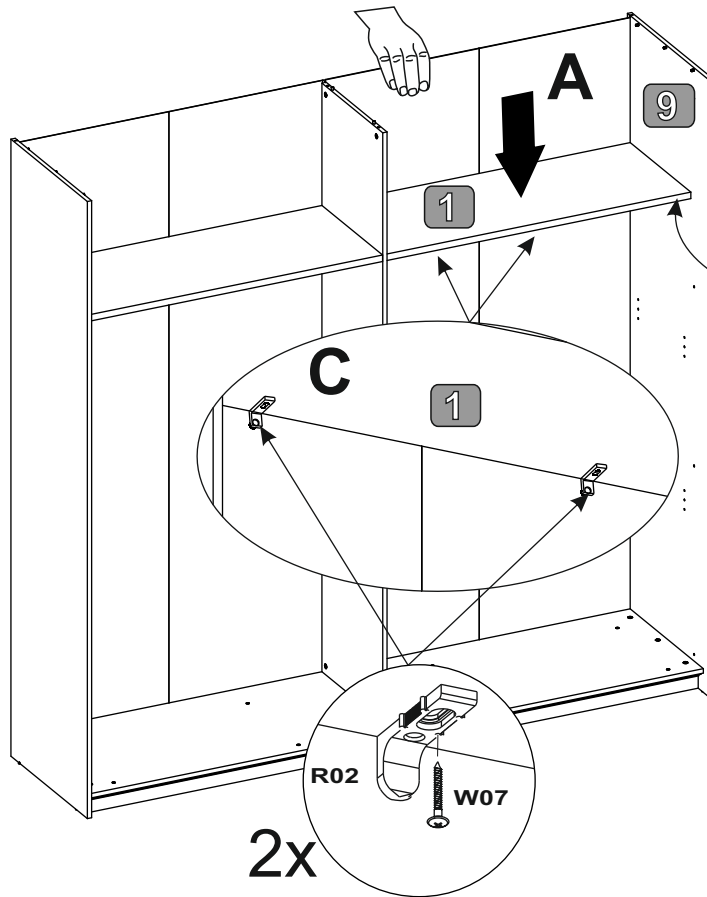


10



11

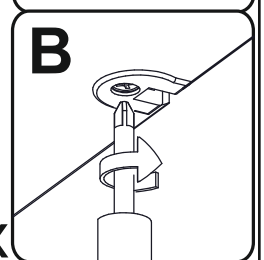
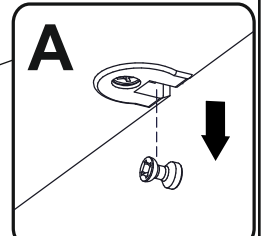
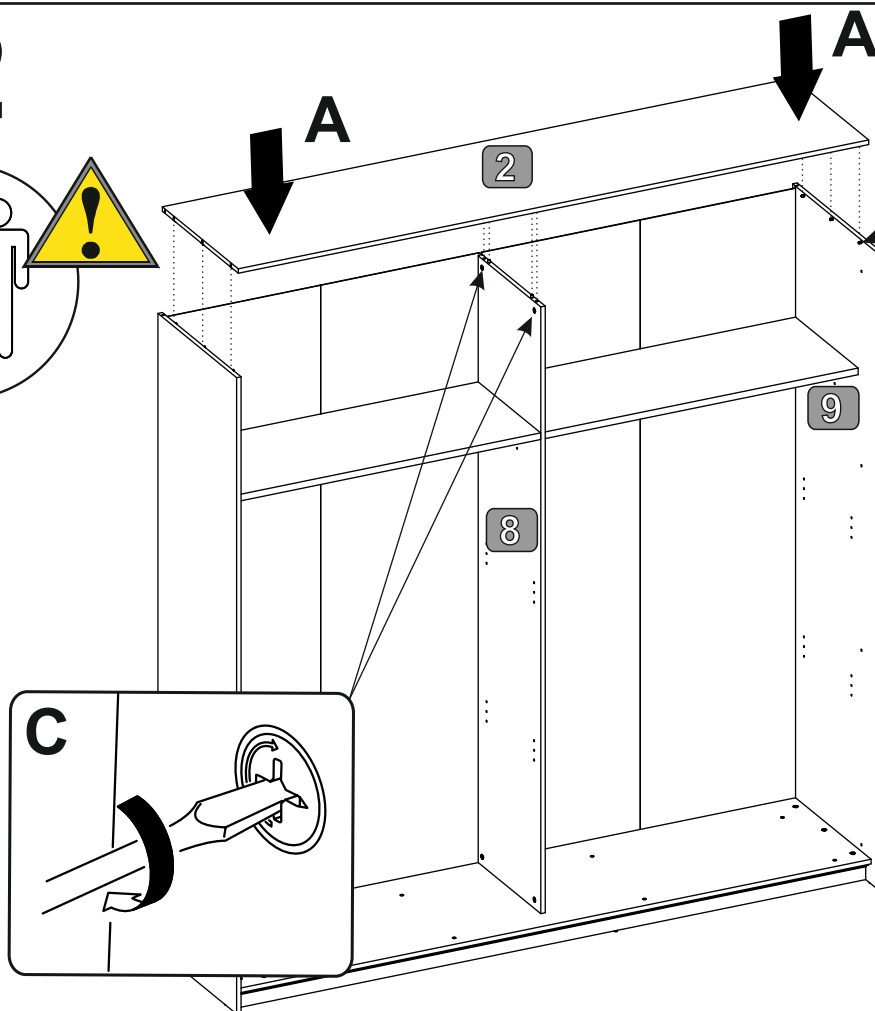
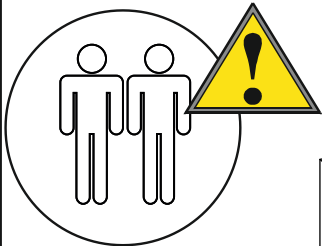
- 4x13
- 2x W07
- 2x R02



4x


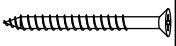


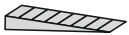
2x

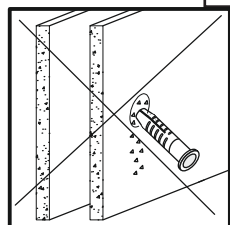
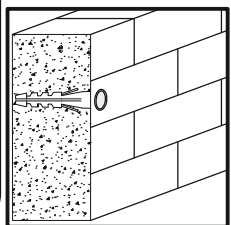
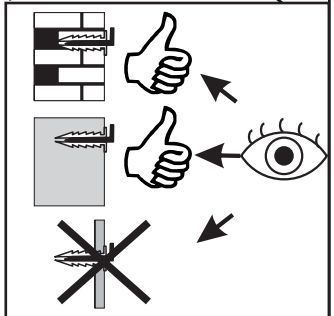
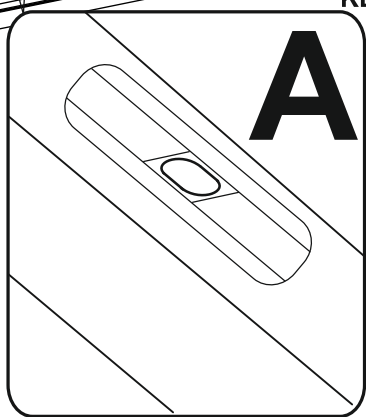
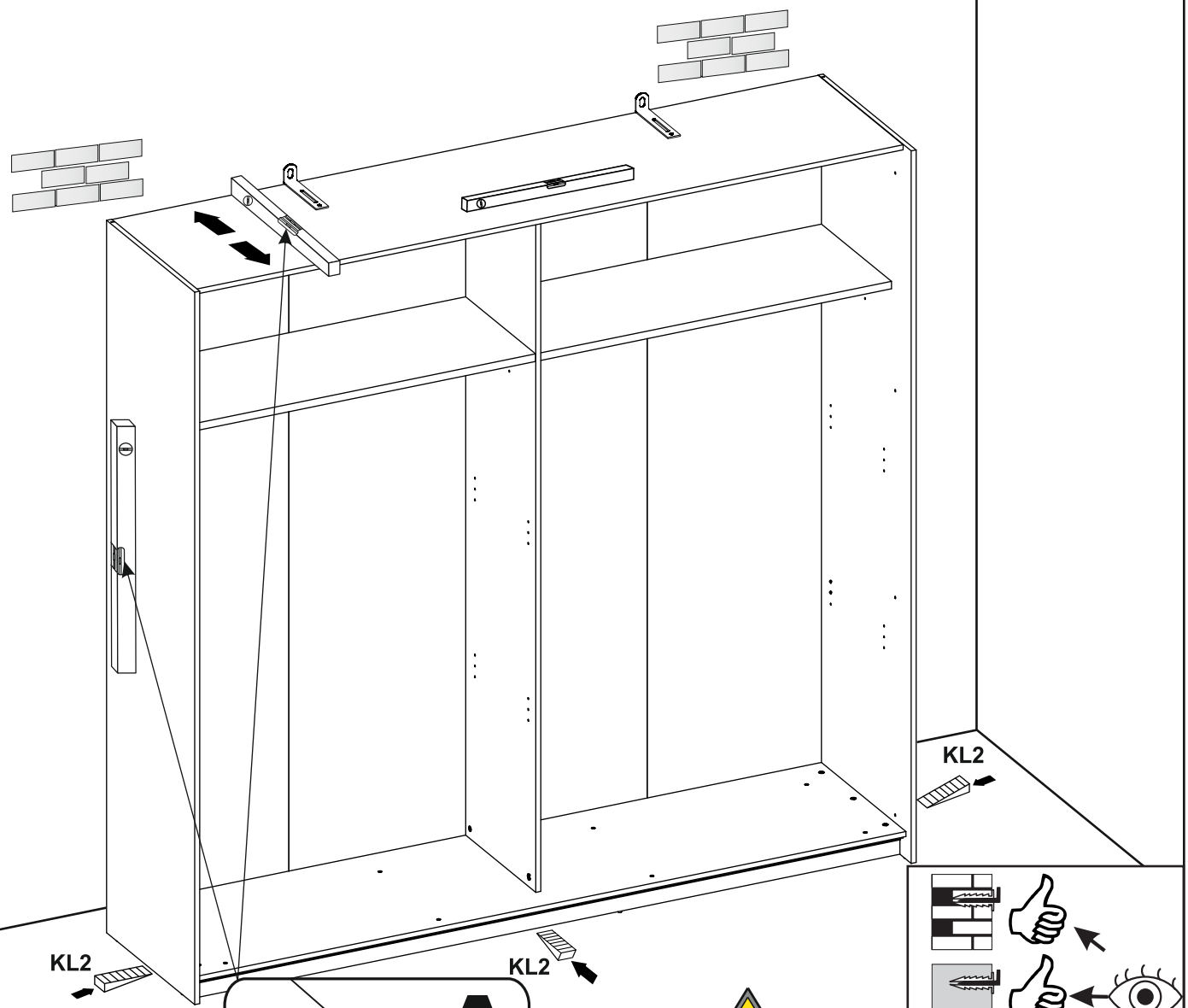
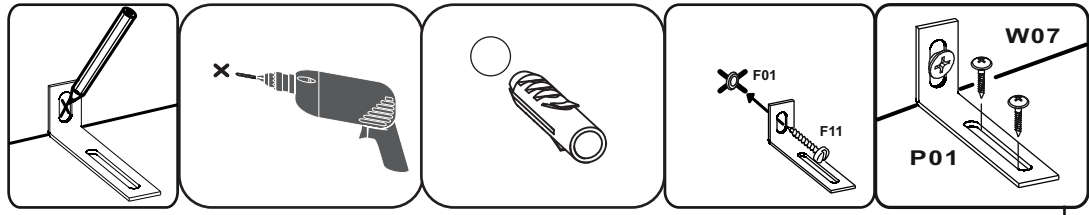
12



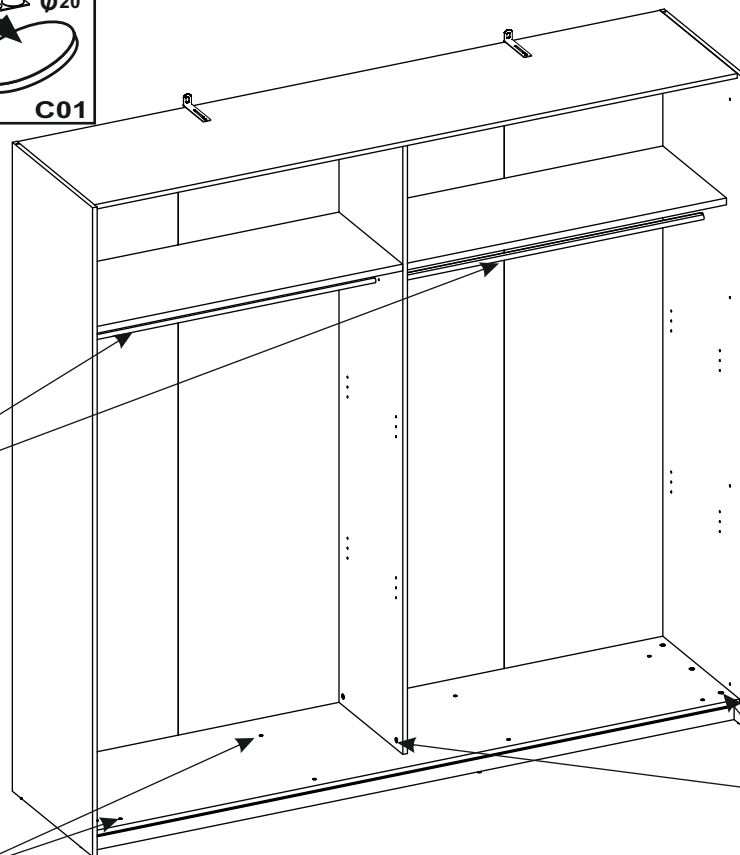
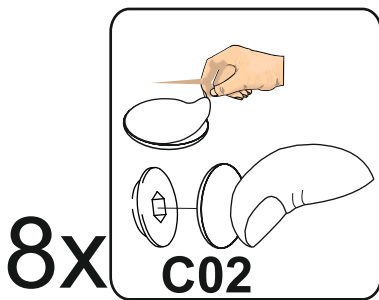
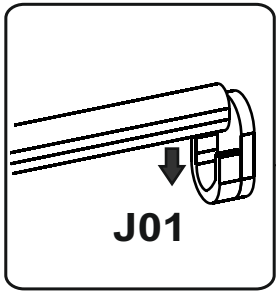
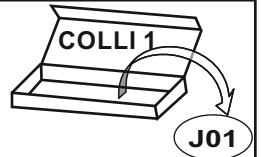
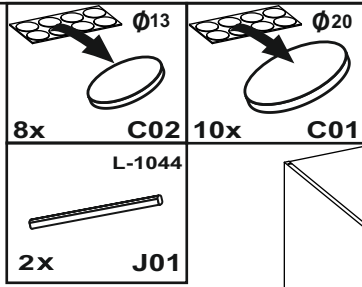
6x

13

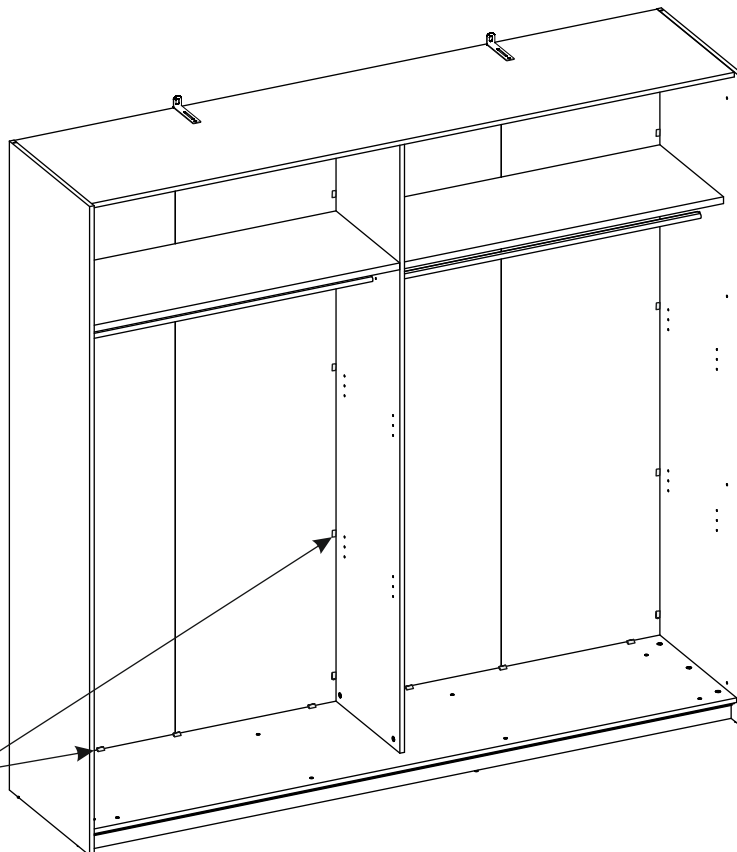
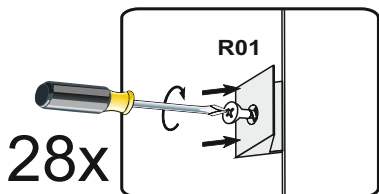
- | | | | | |
|---|---|---|---|---|
| 
2x P01 | 
2x F11 | 
2x F01 | 
4x13
4x W07 | 
3x KL2 |
|---|---|---|---|---|



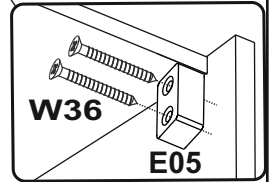
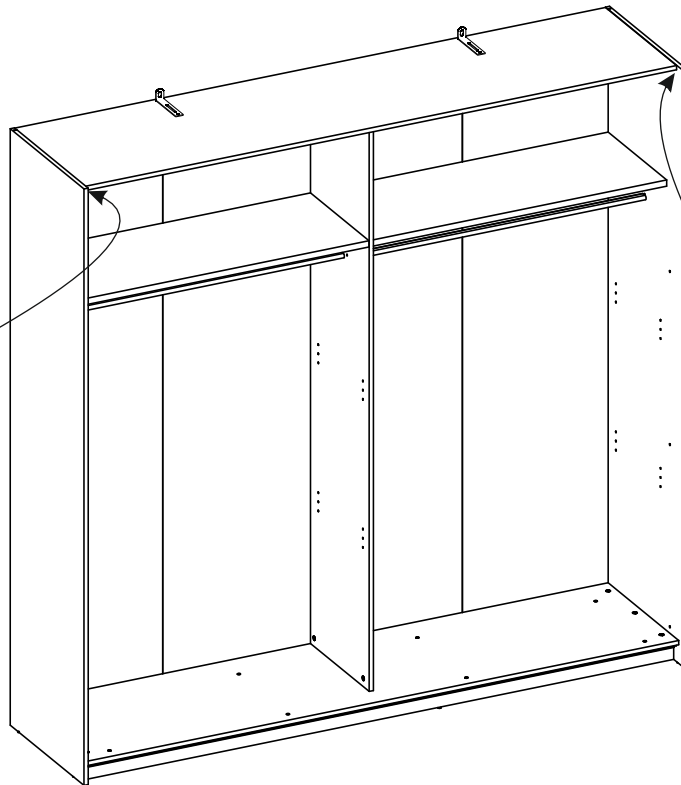
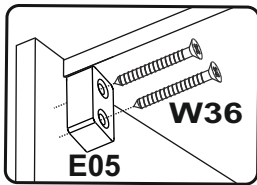
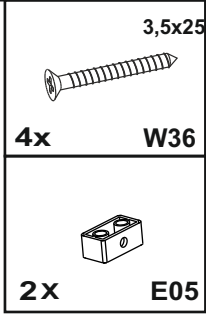
14



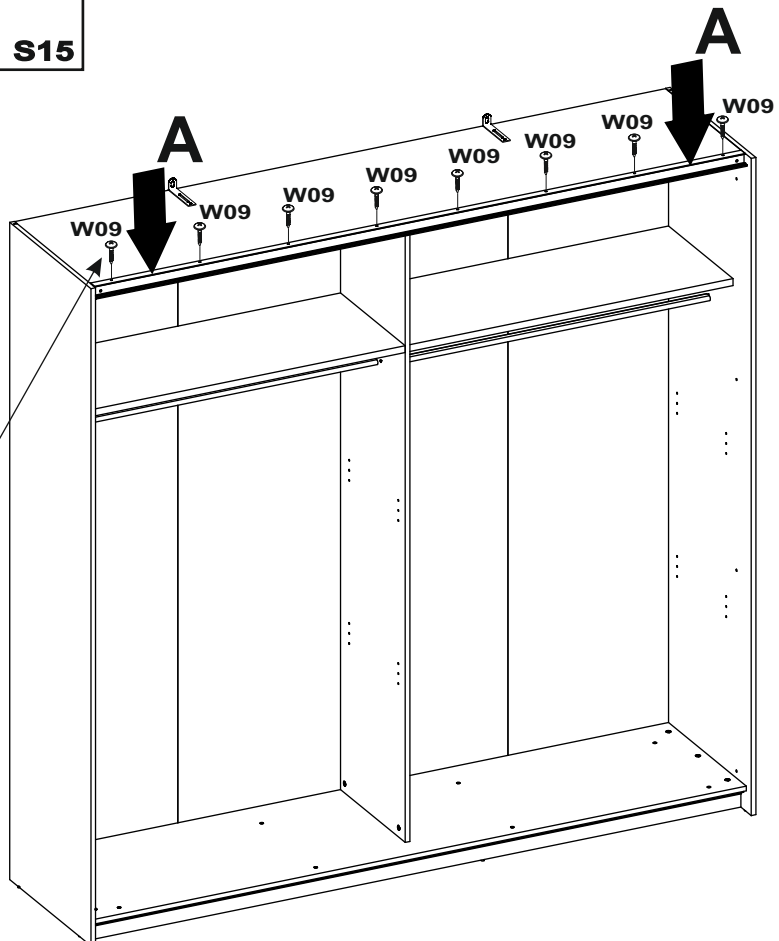
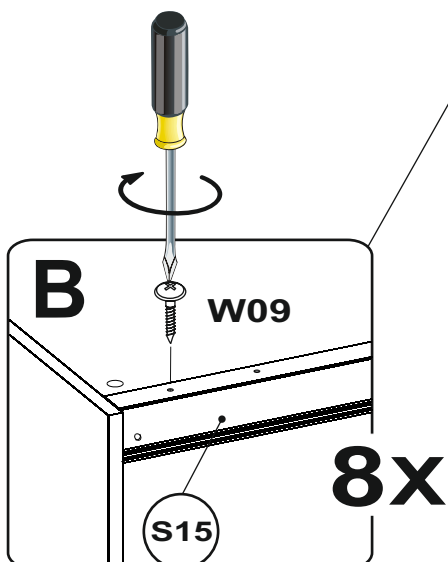
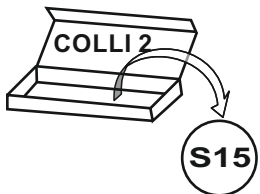
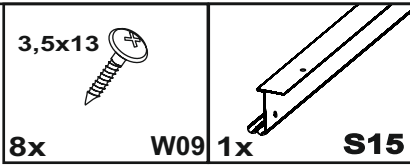
15



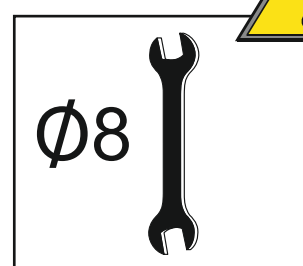
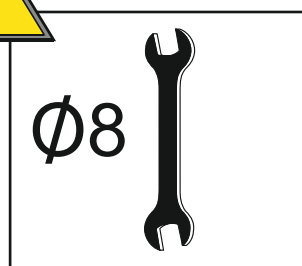
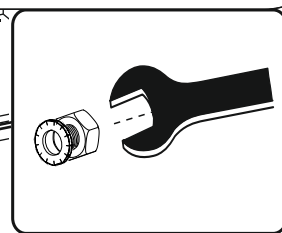
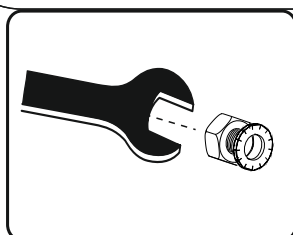
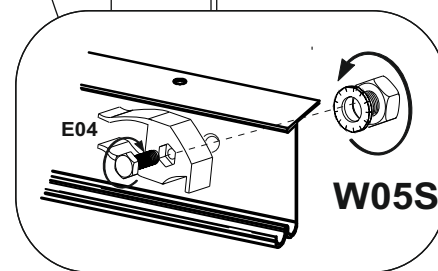
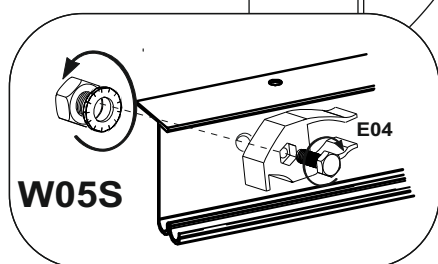
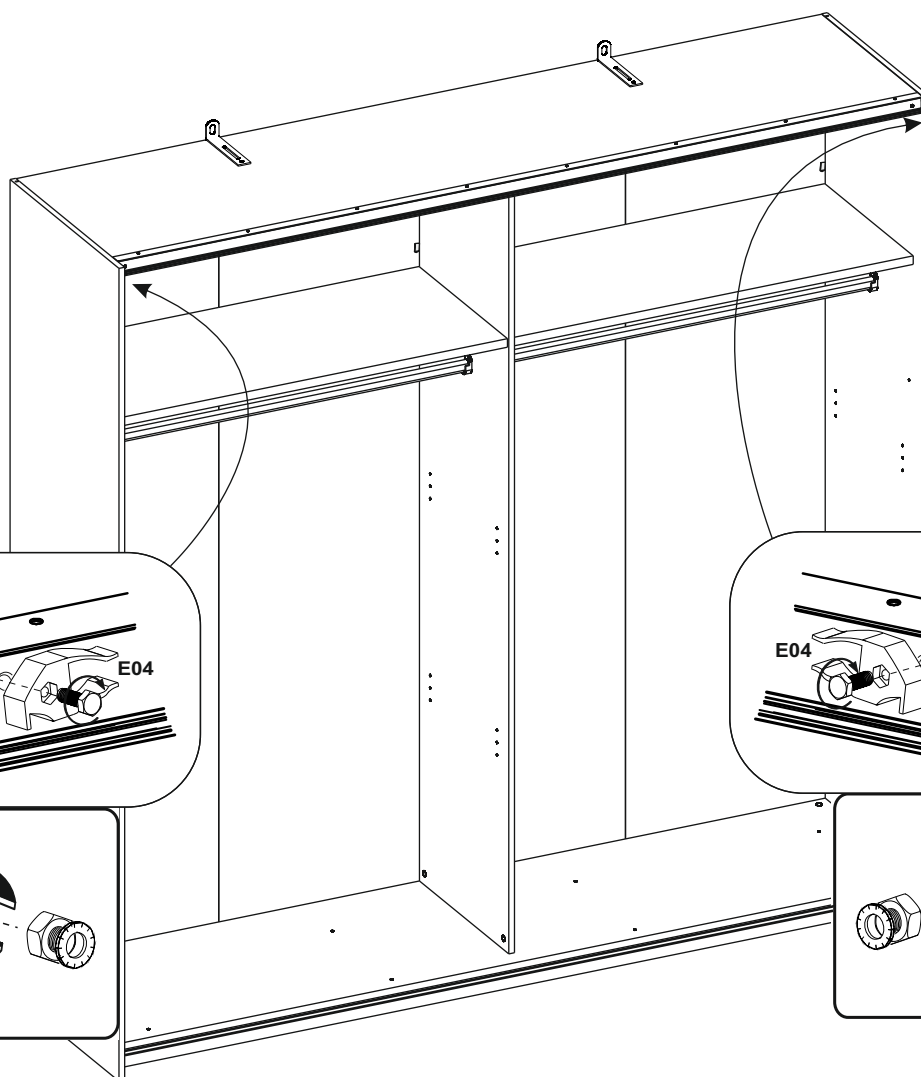
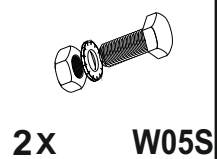
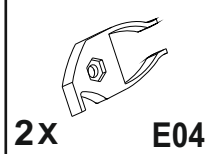
16



17

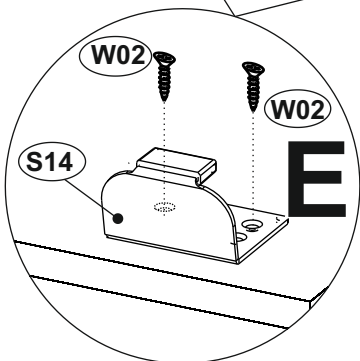
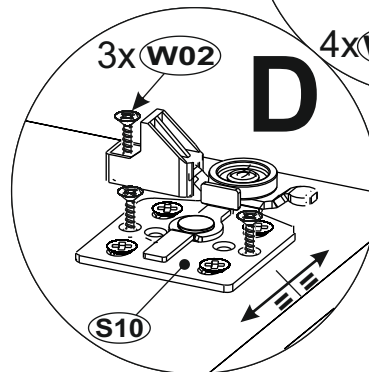
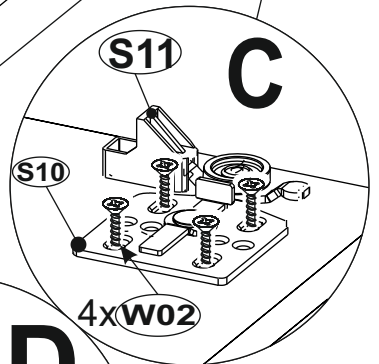
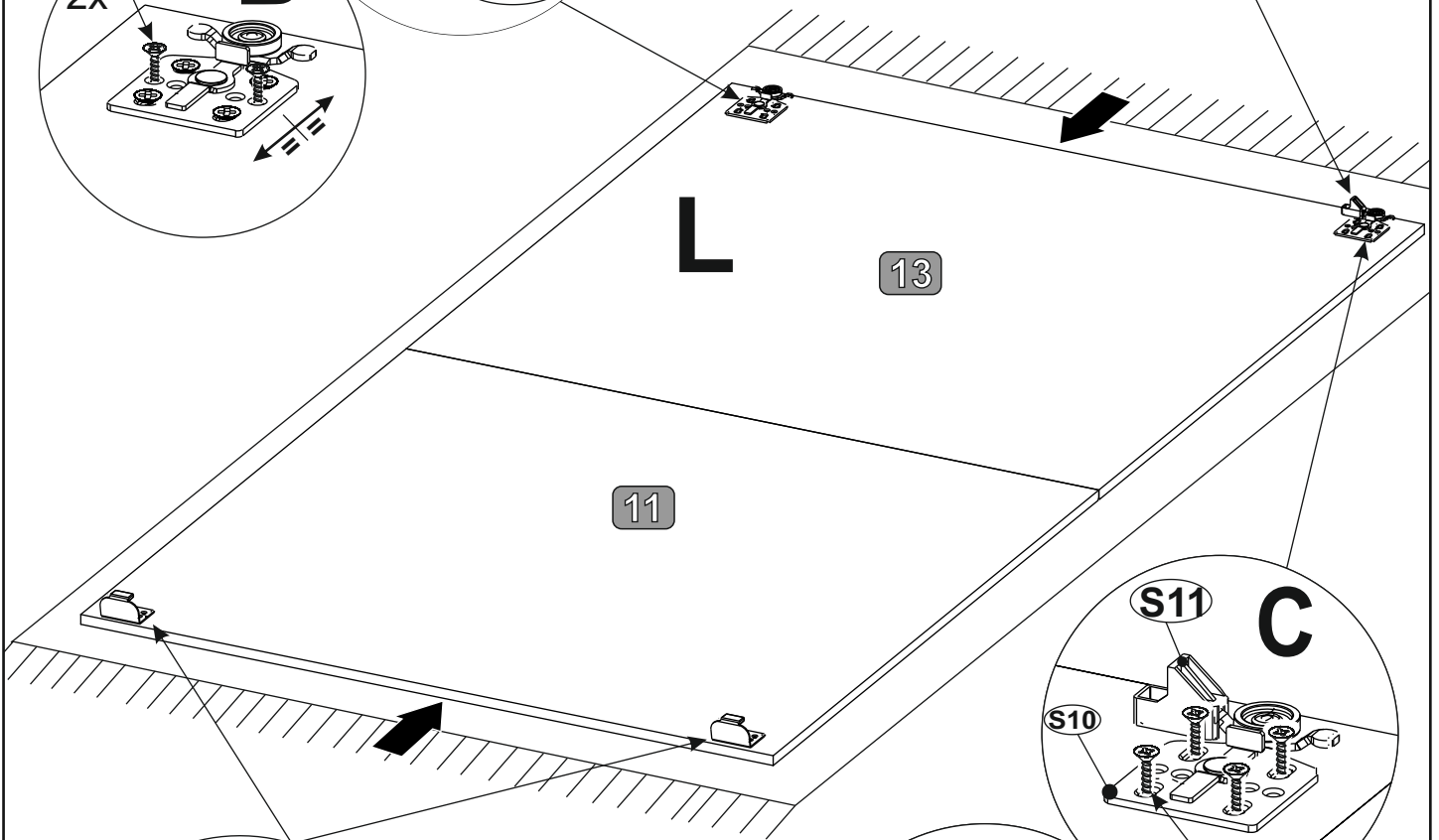
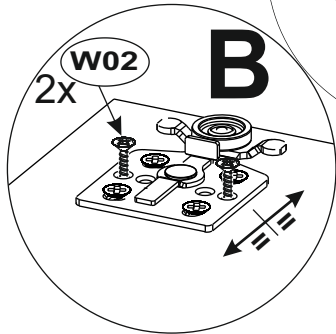
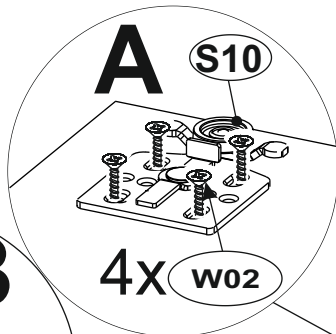
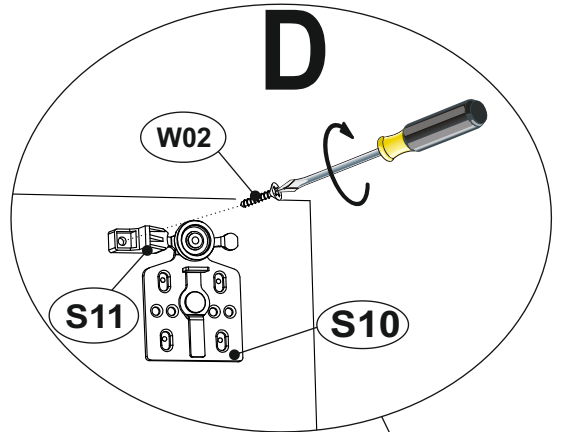
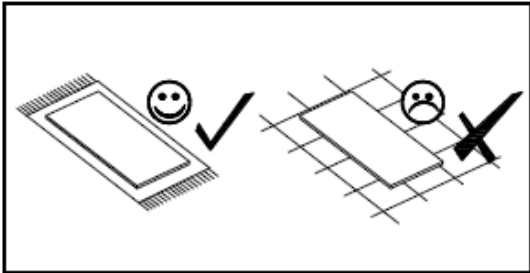
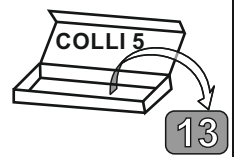
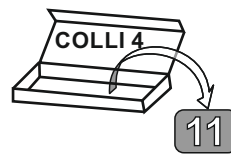


18




19

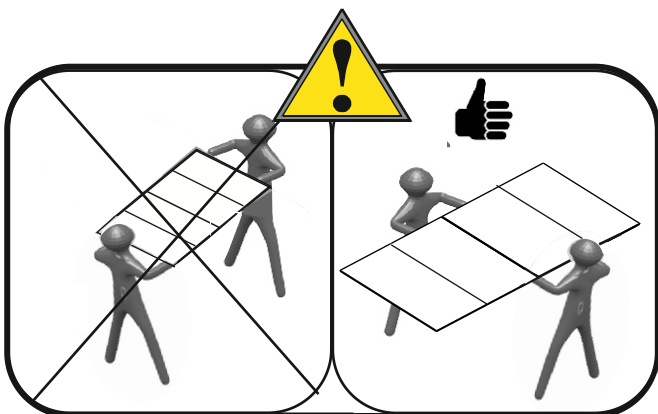
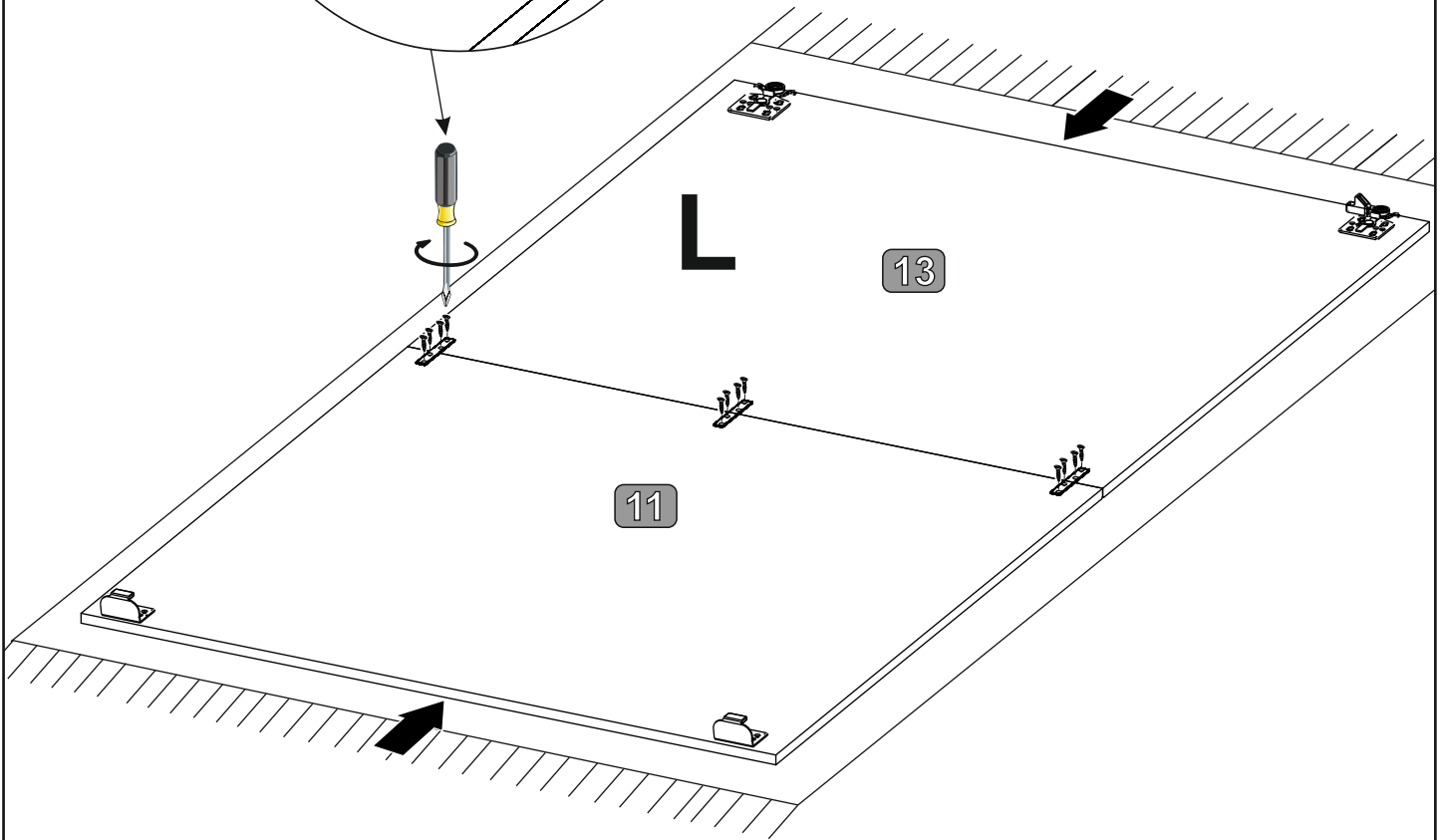
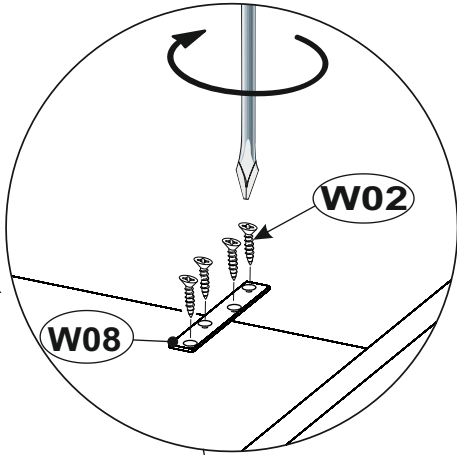
- 2x S10
- 2x S14
- 1x S11
- 17x W02
- 3,5x13



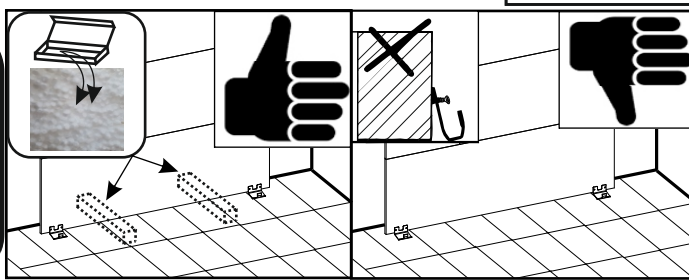
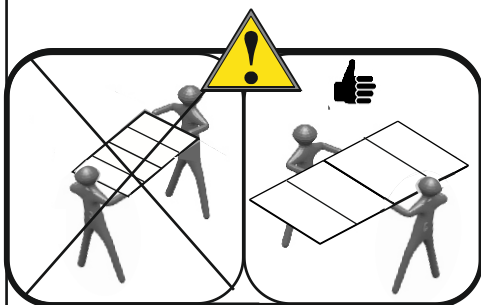
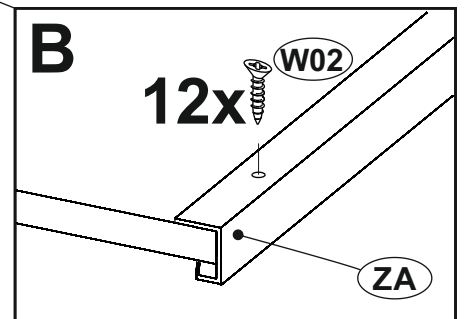
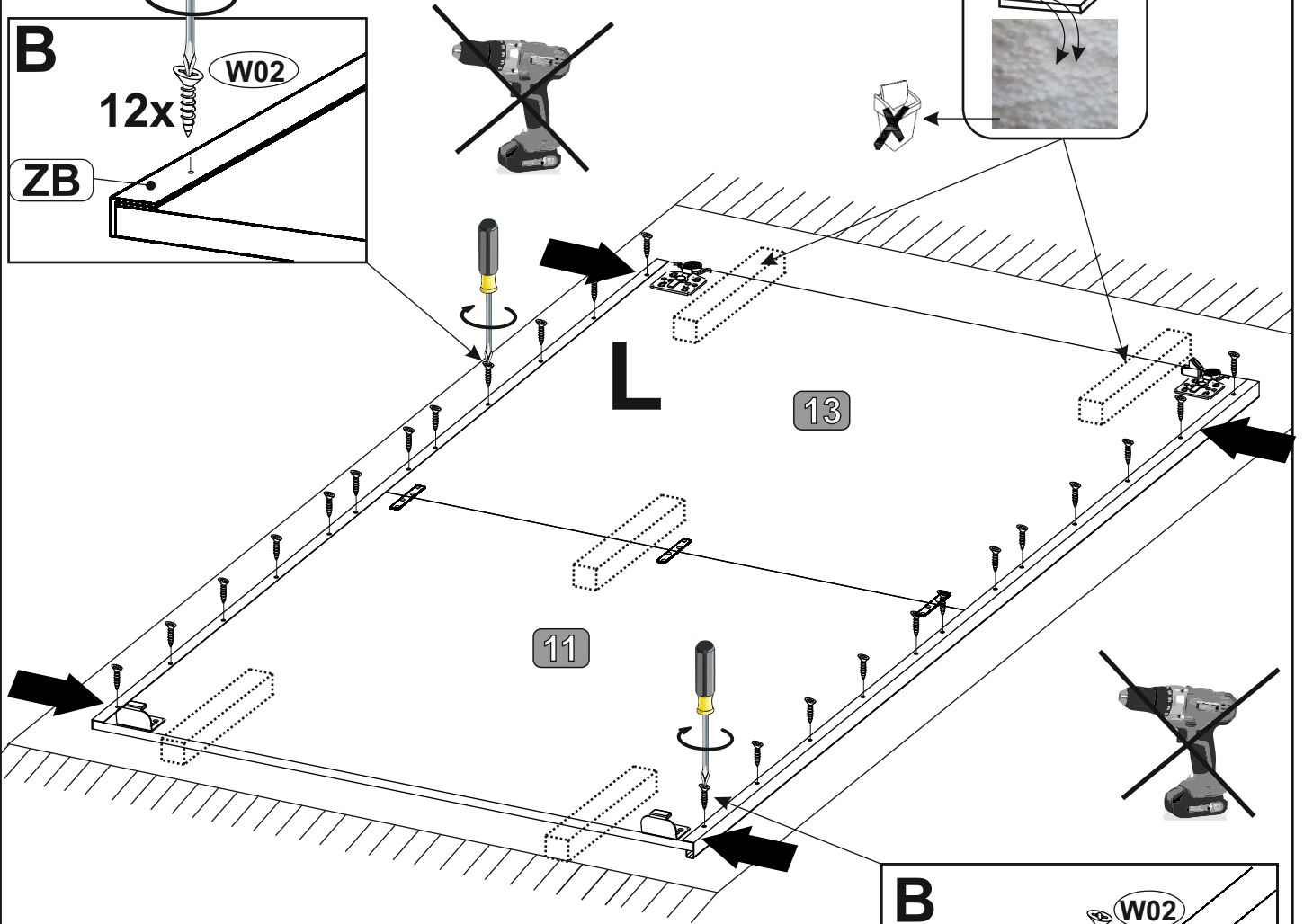
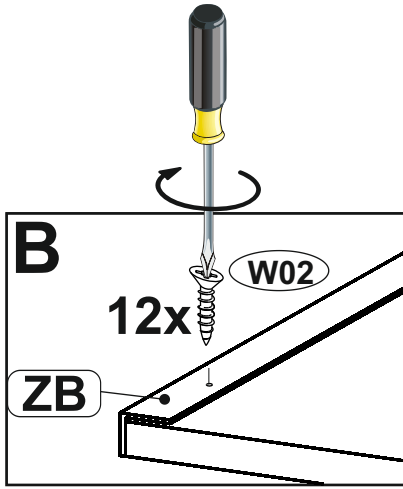
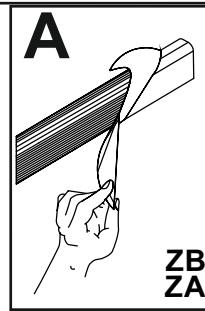
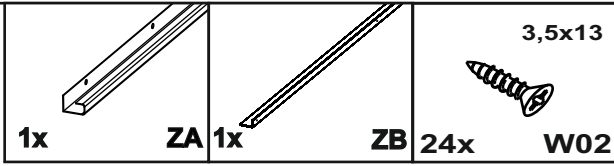
20

	3,5x13
3x W08	12x W02

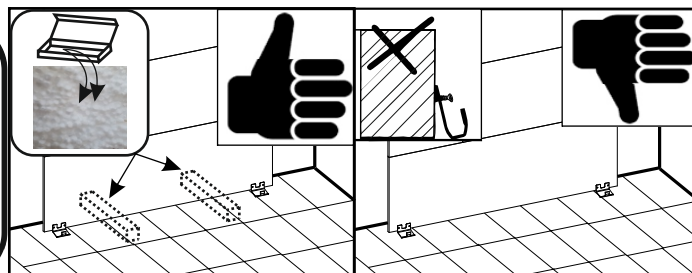
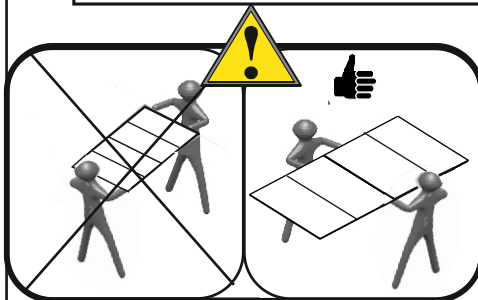
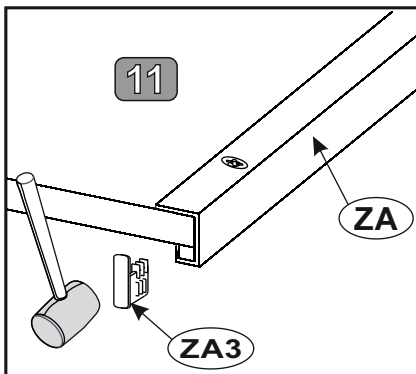
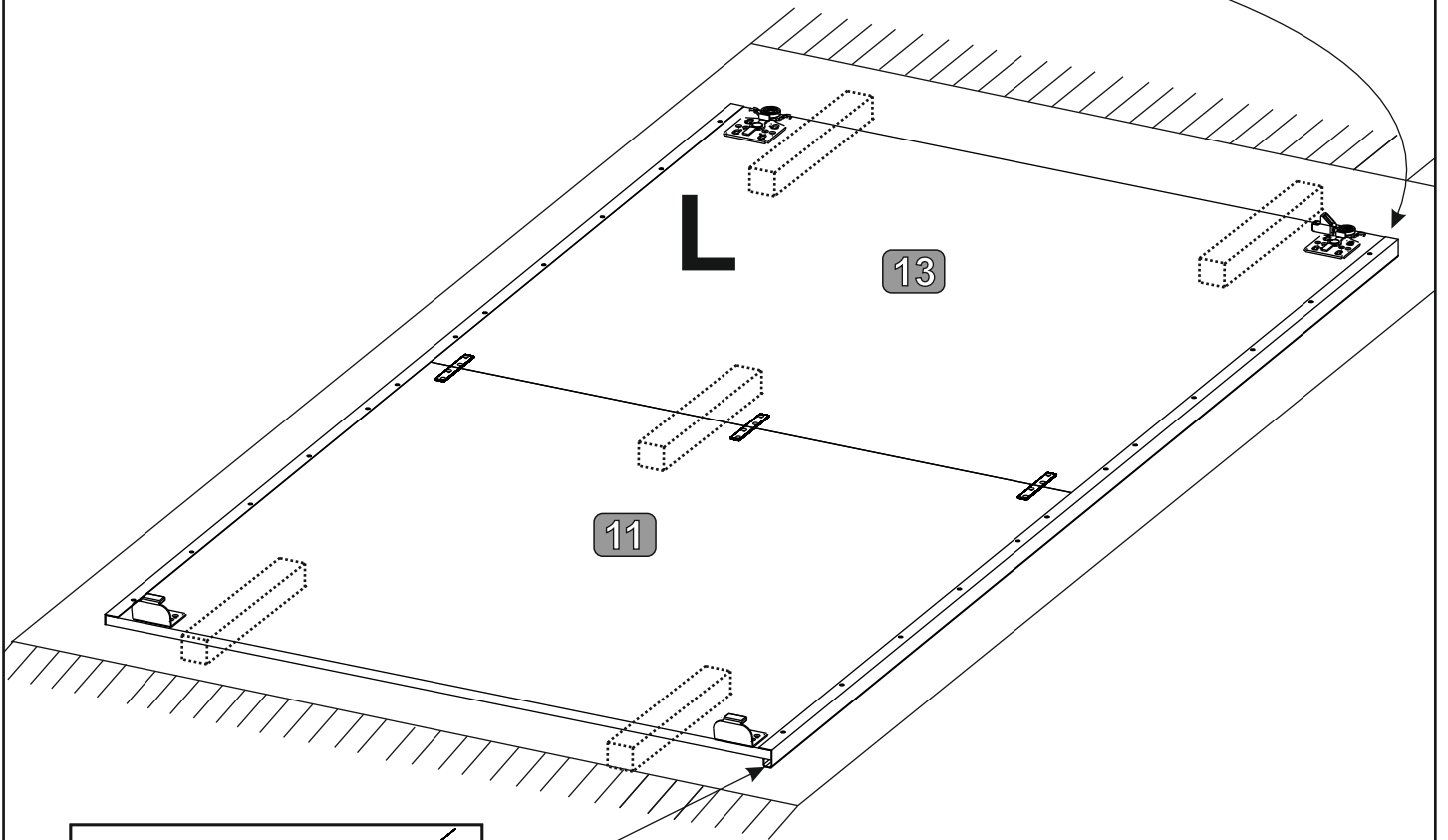
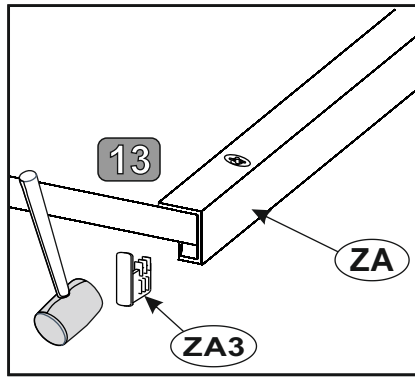
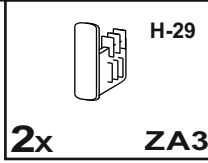
3x



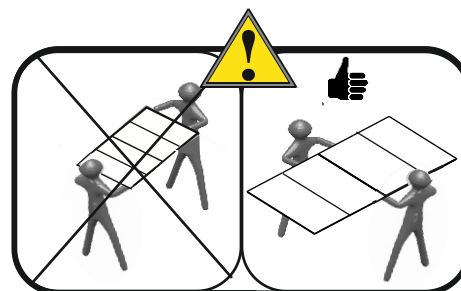
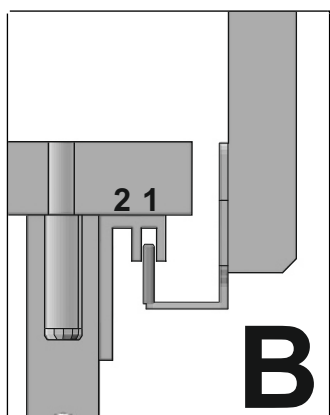
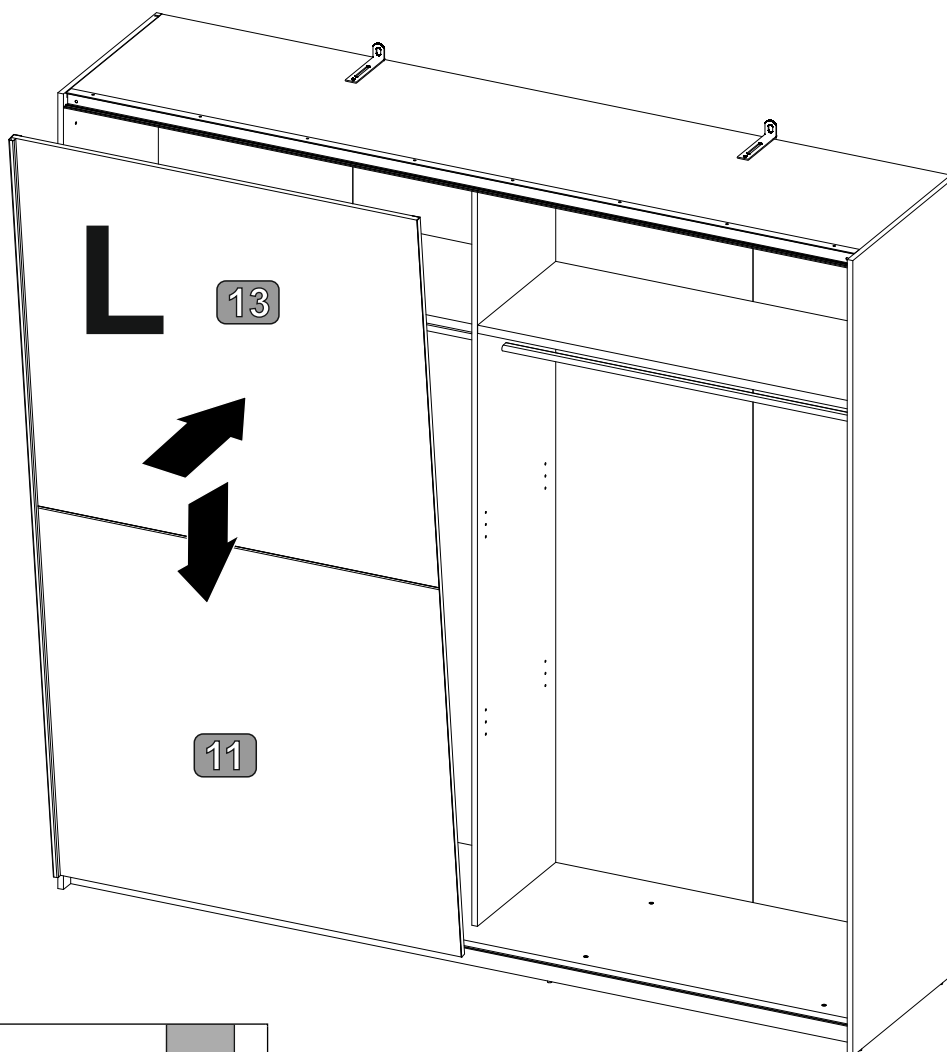
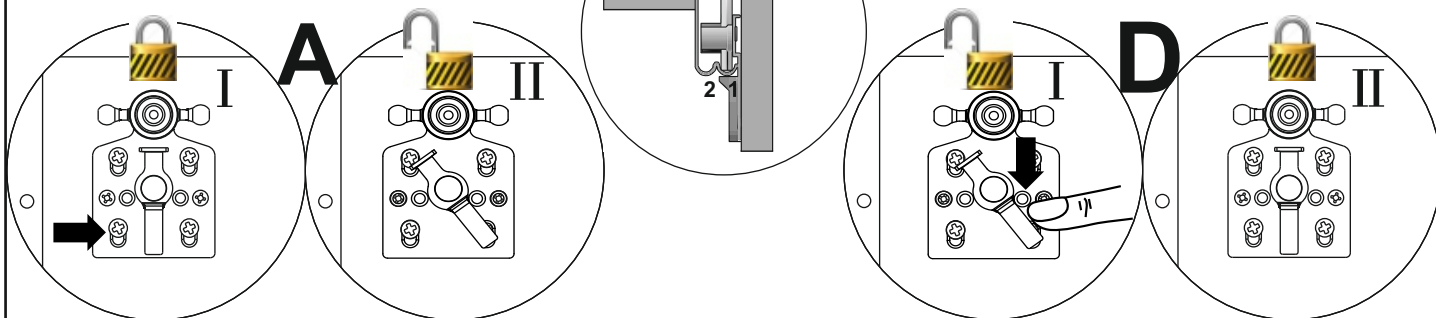
21



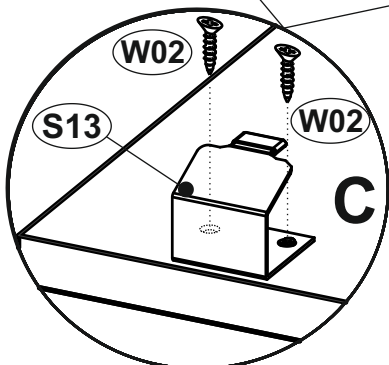
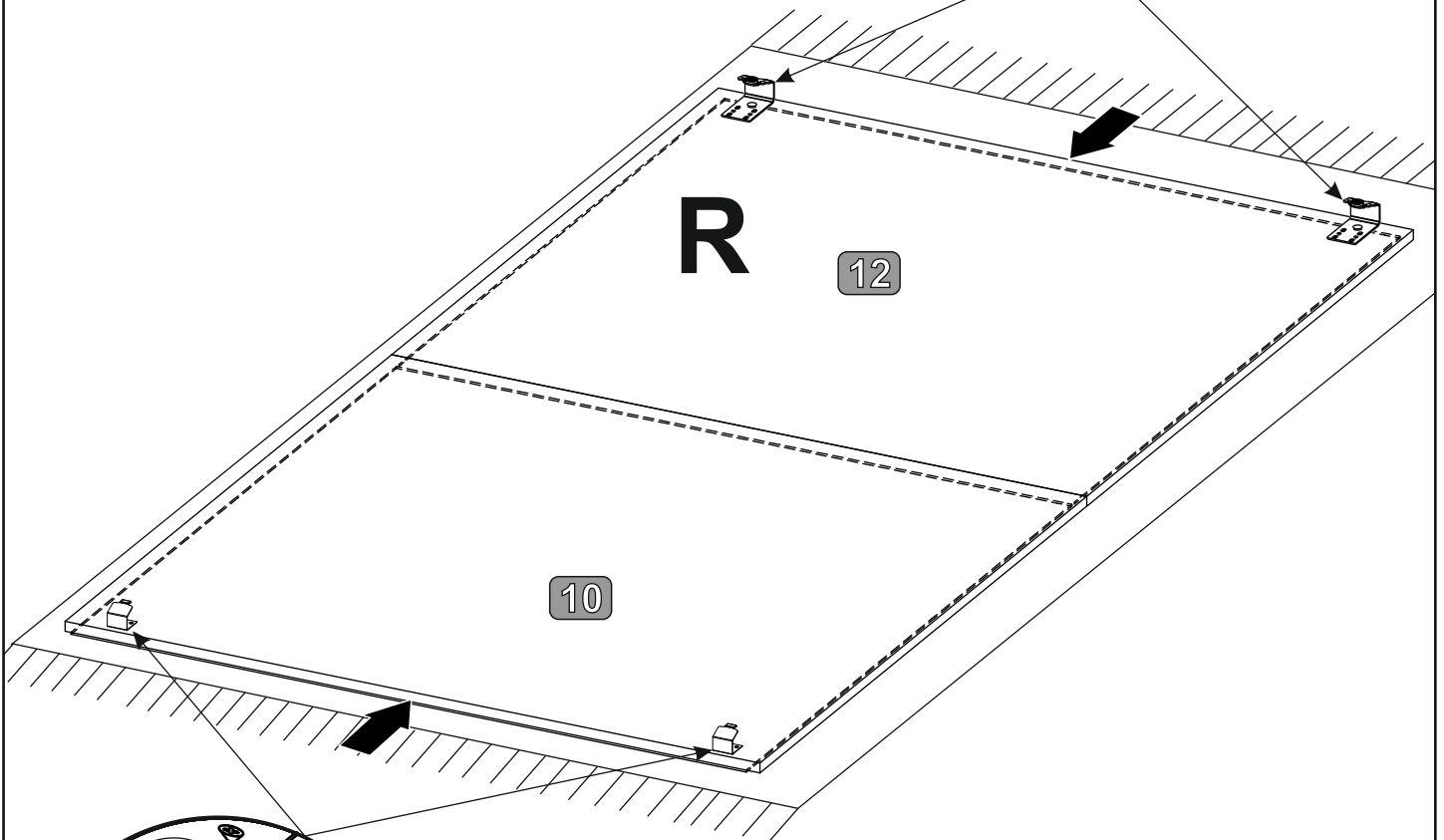
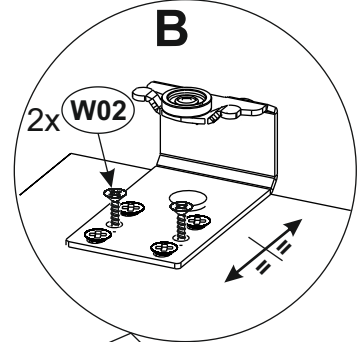
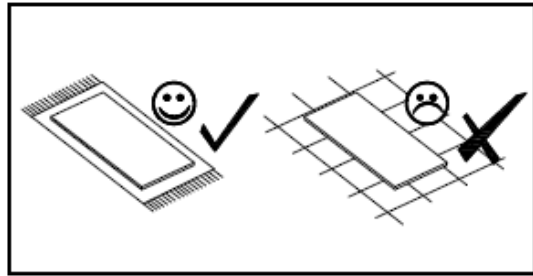
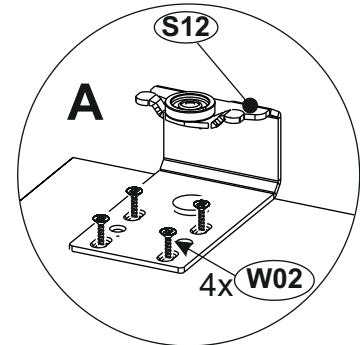
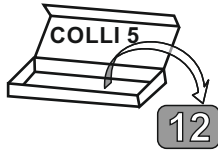
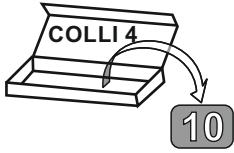
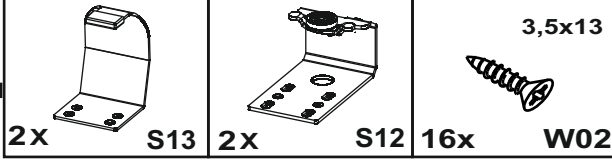
22





23

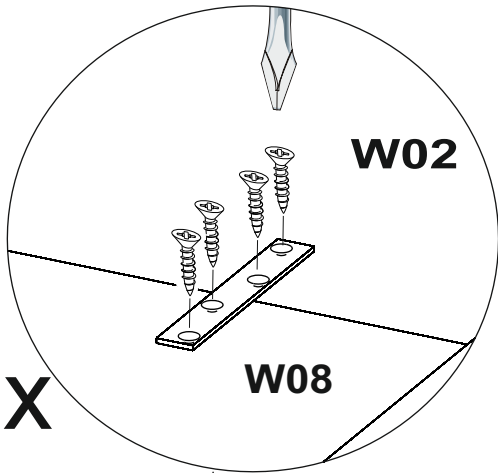


24

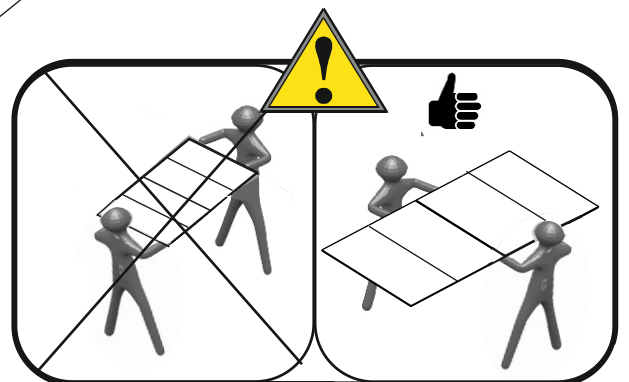
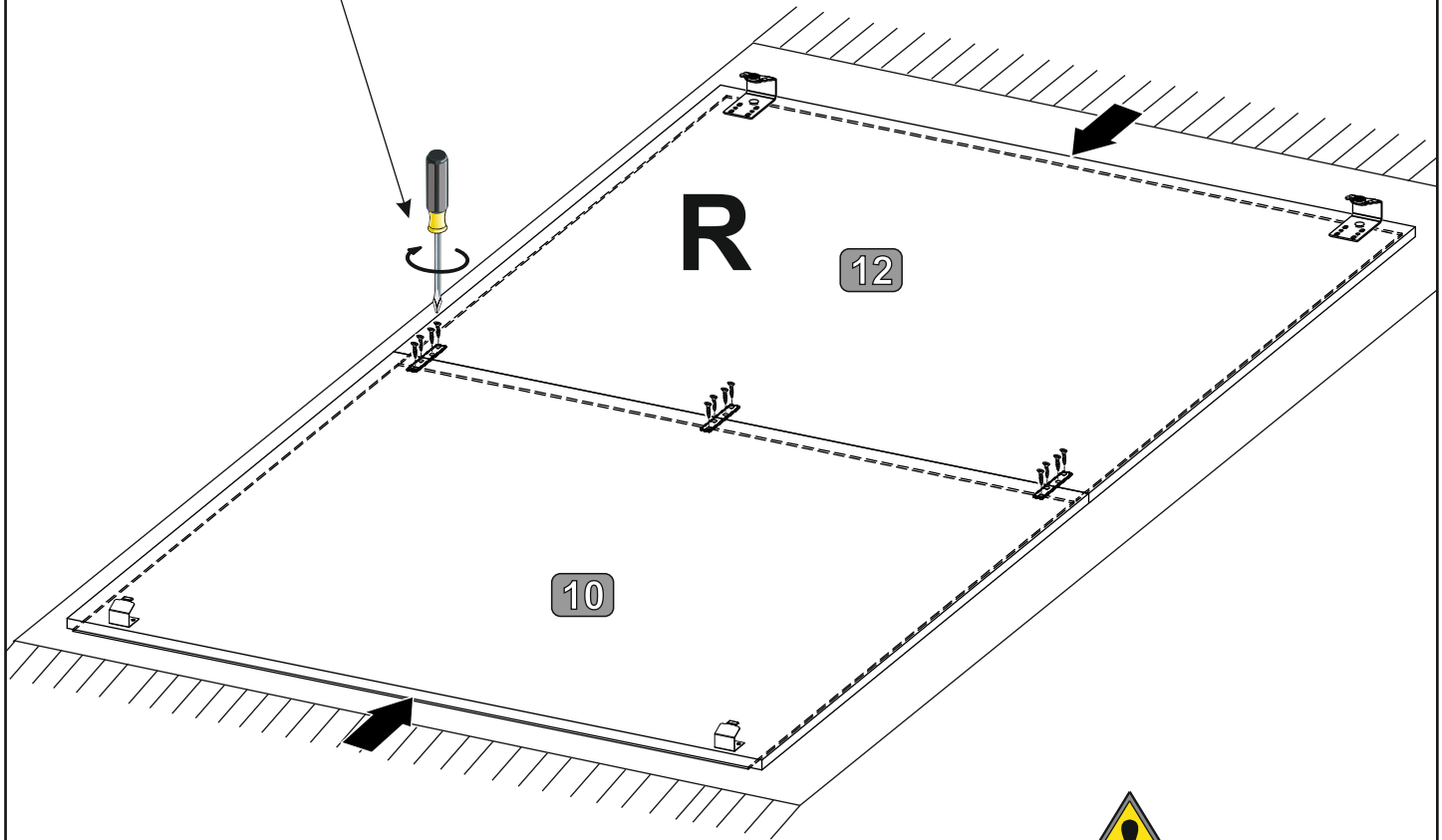


25

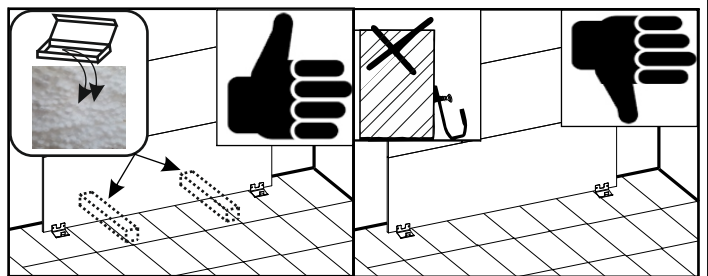
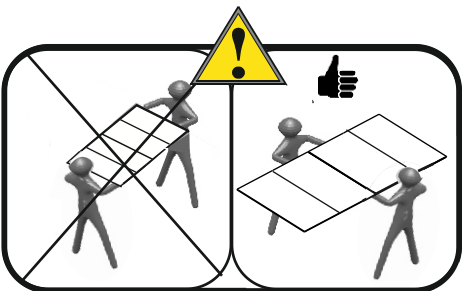
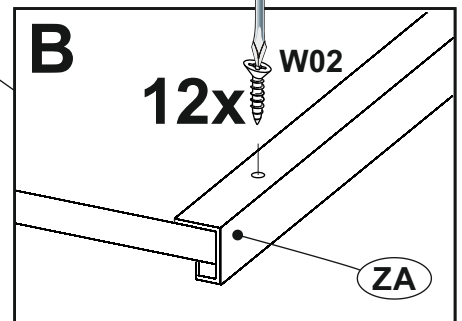
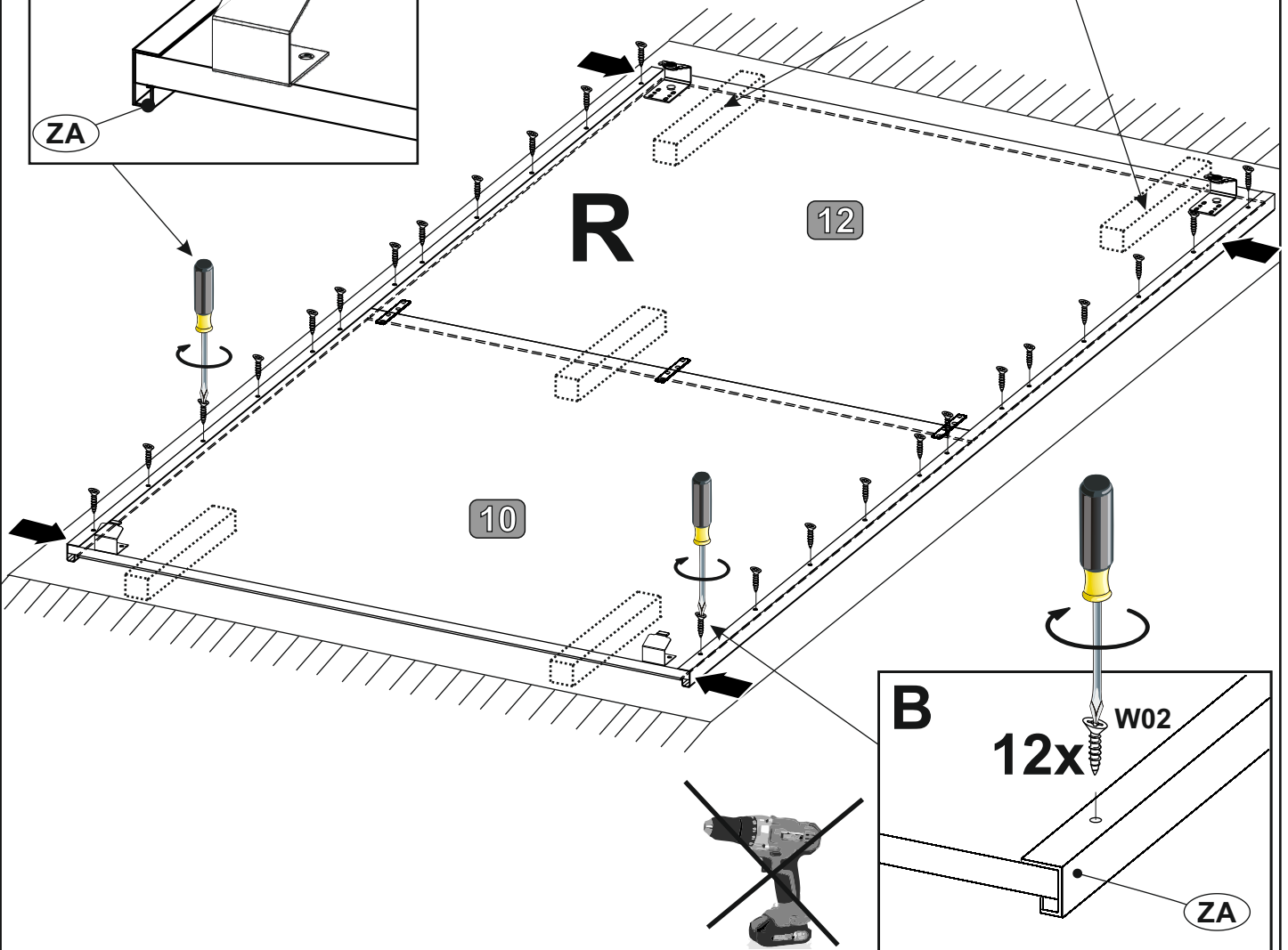
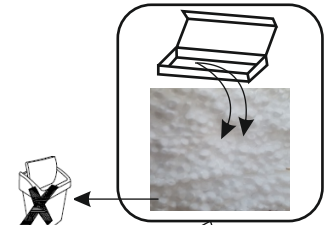
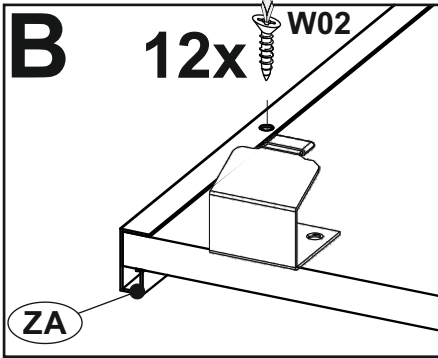
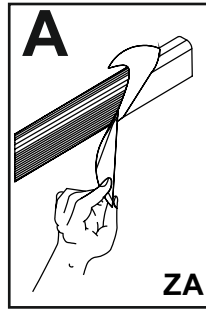
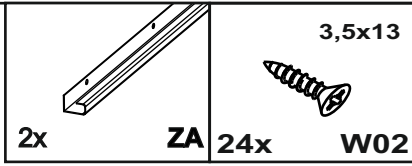
 3,5x13	 W08
12x W02	3x W08



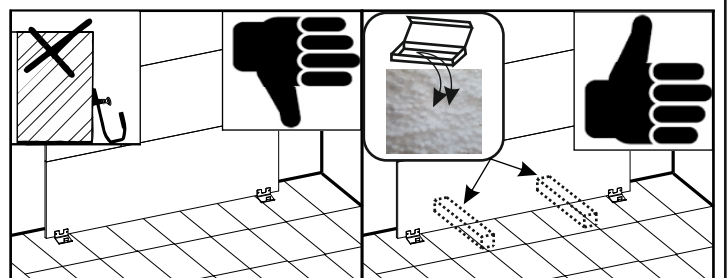
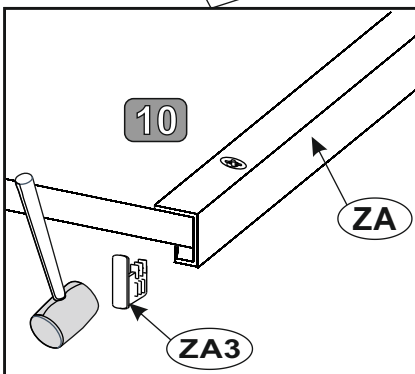
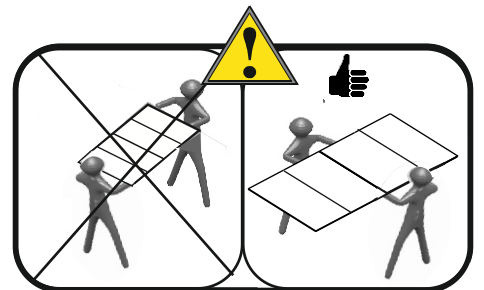
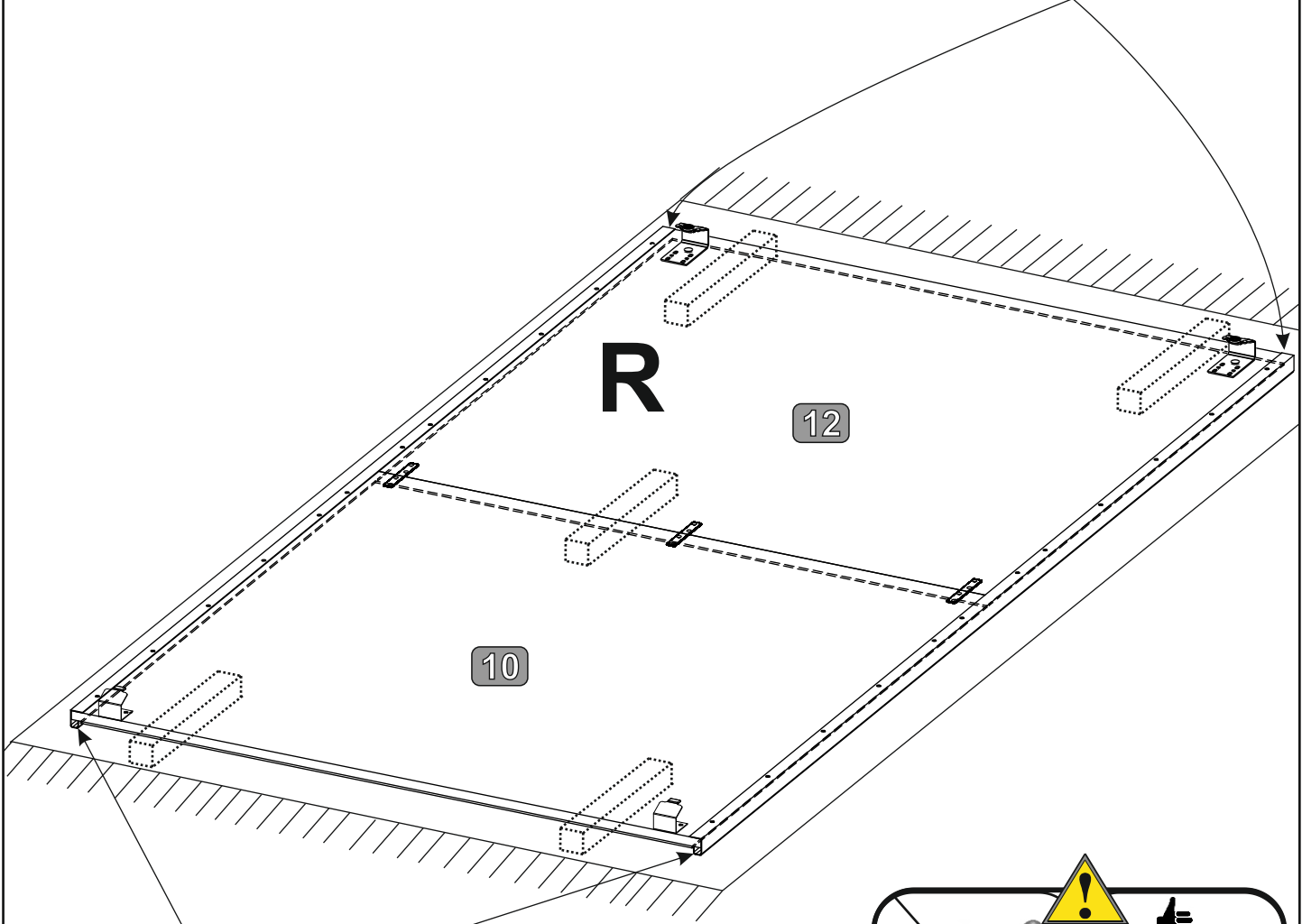
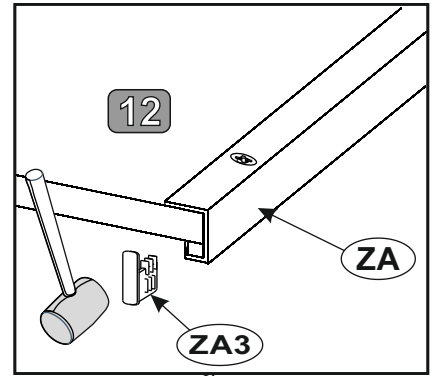
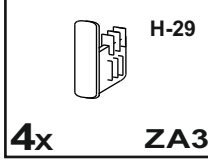
3x



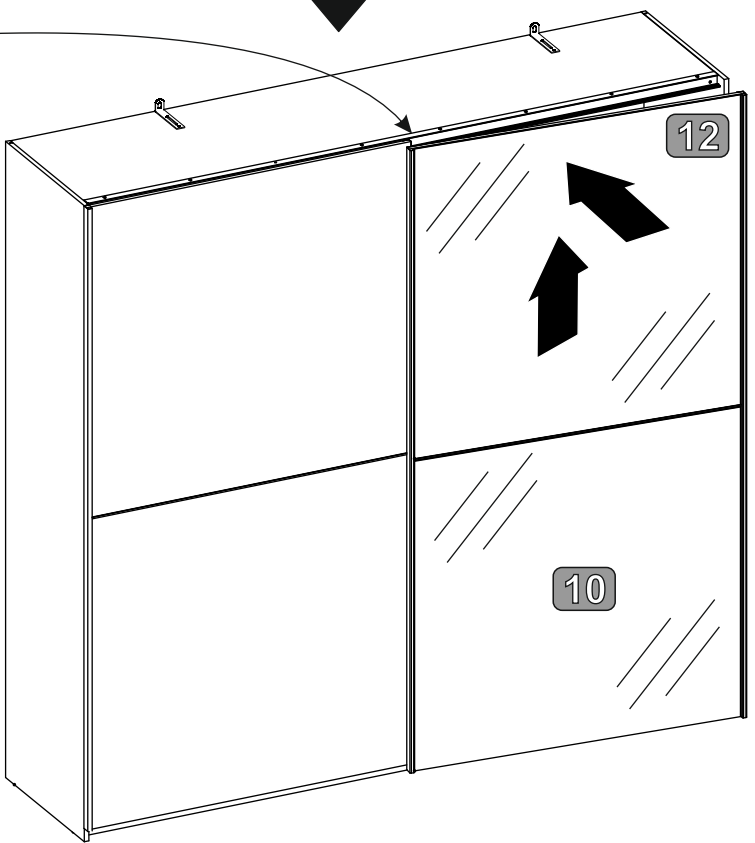
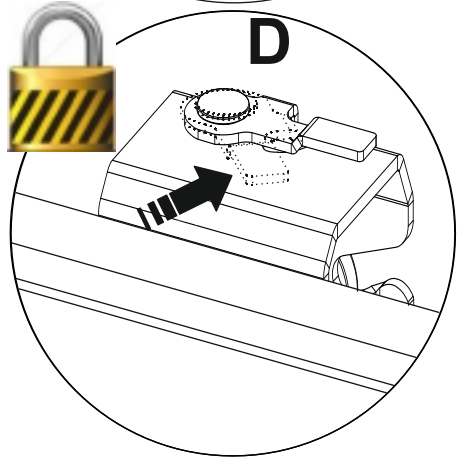
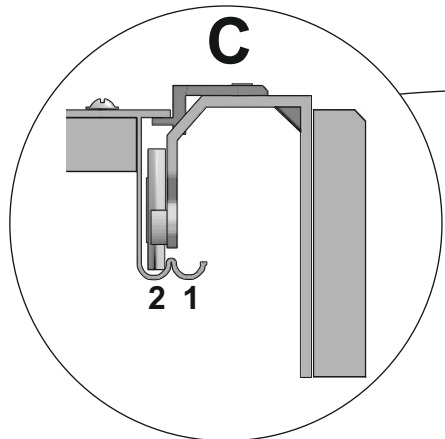
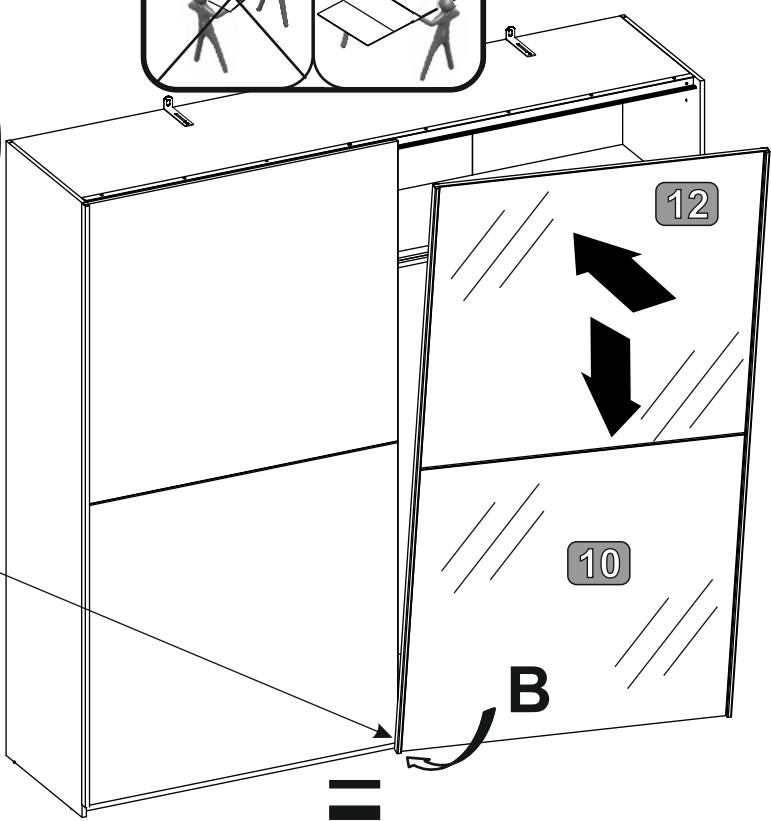
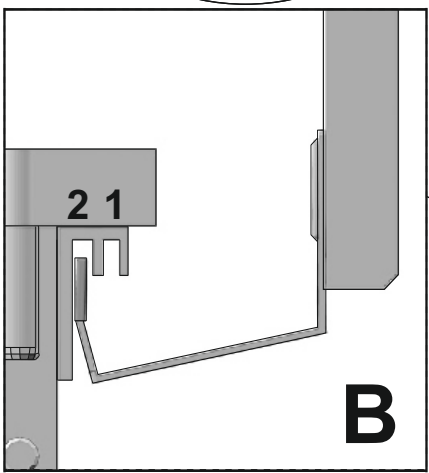
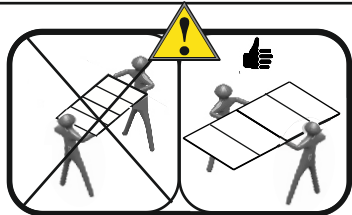
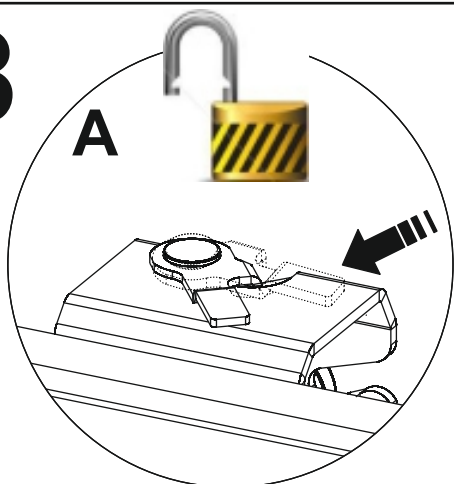
26



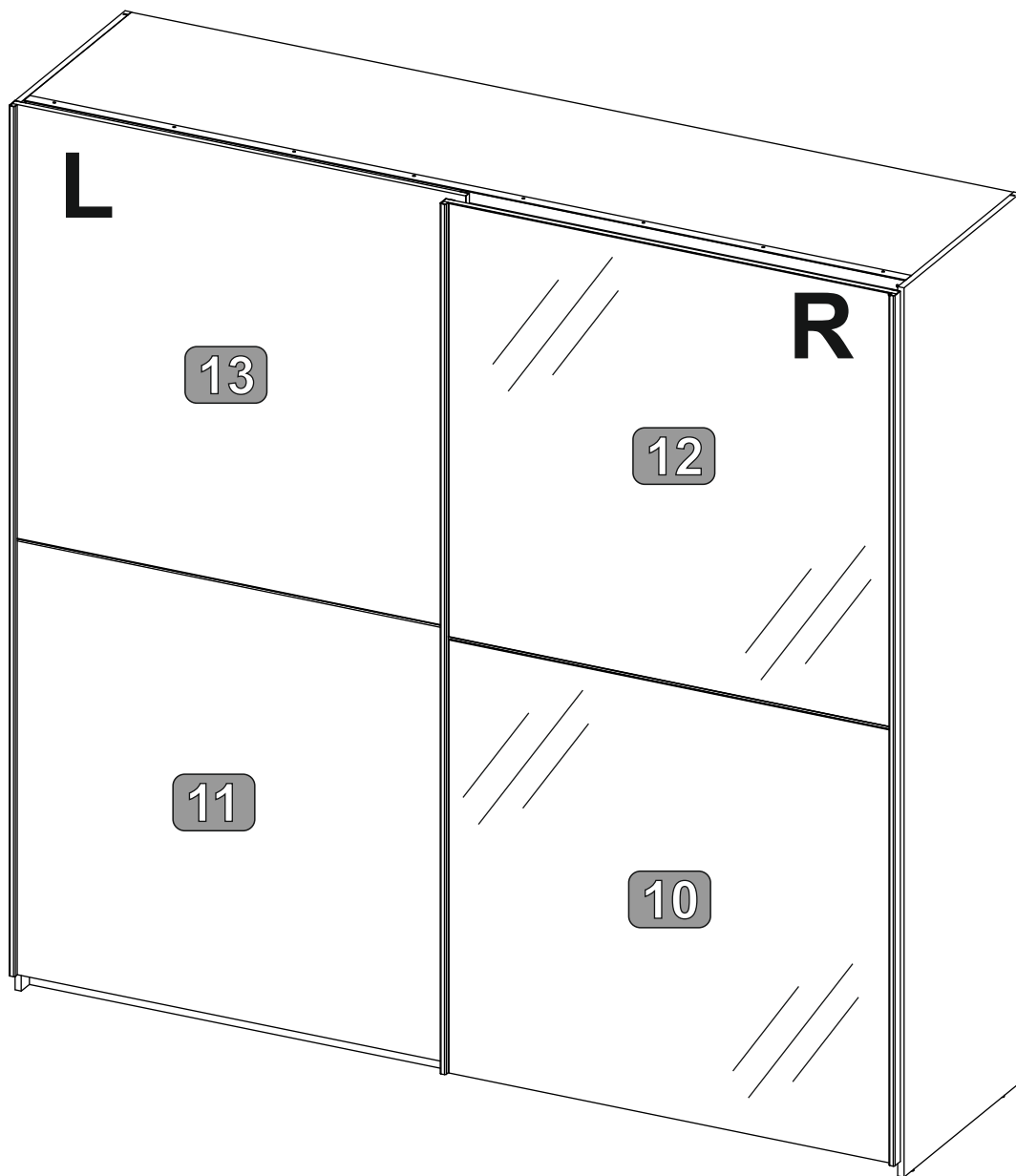
27



28



29



30

