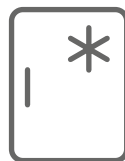


**Amica**

OPERATING INSTRUCTIONS  
GEBRAUCHSANWEISUNG  
NÁVOD K OBSLUZE  
NÁVOD NA OBSLUHU  
NOTICE D'UTILISATION  
GEBRUIKSAANWIJZING  
UPUTE ZA UPORABU  
NAVODILO ZA UPORABO

EN  
DE  
CS  
SK  
FR  
NL  
HR  
SL

Refrigerator / Kühlschrank / Chladnička / Chladnička  
/ Réfrigérateur / Koelkast / Hladnjak / Hladilnik /  
Chłodziarka



VKS 1562\*



IO-REF-0301/5  
(11.2020)

# EN- Table of contents

<b>GUIDELINES CONCERNING THE SAFETY OF USE</b>	<b>12</b>
<b>INSTALLATION AND OPERATING CONDITIONS OF THE APPLIANCE</b>	<b>17</b>
INSTALLATION BEFORE USING THE APPLIANCE FOR THE FIRST TIME	17
MINIMUM DISTANCES FROM THE HEAT SOURCES	17
MAINS CONNECTION	18
DISCONNECTING THE MAINS	18
CLIMATE RANGE	18
<b>UNPACKING</b>	<b>19</b>
<b>DISPOSAL OF OLD APPLIANCE</b>	<b>20</b>
<b>CONTROLS</b>	<b>21</b>
APPLIANCE CONTROLS	21
ADJUST TEMPERATURE INSIDE THE APPLIANCE	21
ADDITIONAL INFORMATION ON THE TEMPERATURE	22
<b>LIGHTING</b>	<b>22</b>
REPLACE THE LIGHT BULB	22
<b>OPERATION AND FUNCTIONS</b>	<b>23</b>
STORAGE OF FOOD IN THE FRIDGE-FREEZER	23
FREEZING FOOD**	23
<b>USING THE REFRIGERATOR EFFICIENTLY</b>	<b>25</b>
PRACTICAL EVERYDAY TIPS	25
UNDERSTANDING THE STARS	25
PRACTICAL TIPS	26
FOOD THAT SHOULD NOT BE STORED IN A REFRIGERATOR	26
<b>DEFROSTING, WASHING AND MAINTENANCE</b>	<b>27</b>
DEFROSTING THE FRIDGE***	27
DEFROSTING THE FREEZER**	27
DEFROST THE FREEZER CHAMBER FOLLOWING STEPS:**	28
AUTOMATIC FRIDGE DEFROSTING****	28
AUTOMATIC FRIDGE DEFROSTING****	28
WASHING THE FRIDGE AND FREEZER CHAMBERS MANUALLY****	28
TAKING OUT AND PUTTING IN THE SHELVES*****	28
TAKING OUT AND PUTTING IN THE DOOR SHELF*****	28
<b>TROUBLE-SHOOTING</b>	<b>29</b>
<b>WARRANTY AND AFTER SALES SERVICE</b>	<b>31</b>
WARRANTY	31

# DE- Inhaltsverzeichnis

<b>SICHERHEITSHINWEISE</b>	<b>33</b>
<b>INBETRIEBNAHME UND BETRIEBSBEDINGUNGEN DES GERÄTES</b>	<b>38</b>
VORBEREITUNG FÜR DEN ERSTEN BERIEB	38
MINDESTABSTÄNDE ZU WÄRMEQUELLEN	38
ELEKTRISCHER ANSCHLUSS	39
GERÄT VOM STROMNETZ TRENNEN	39
KLIMAKLASSE	39
<b>AUSPACKEN</b>	<b>40</b>
<b>ENTSORGUNG VON ALTGERÄTEN</b>	<b>41</b>
<b>STEUERUNG</b>	<b>42</b>
STEUERUNG DES GERÄTES	42
EINSTELLUNG DER TEMPERATUR IM GERÄT	42
WEITERE INFORMATIONEN ZUR TEMPERATUR	43
<b>BELEUCHTUNG</b>	<b>43</b>
WECHSEL DER BELEUCHTUNG	43
<b>BEDIENUNG UND FUNKTIONEN</b>	<b>44</b>
AUFBEWAHREN DER LEBENSMITTEL IM KÜHL- UND GEFRIERRAUM	44
TIEFKÜHLUNG DER LEBENSMITTEL**	44
<b>ENERGIESPARENDE NUTZUNG DES KÜHLSCHRANKS</b>	<b>46</b>
PRAKTISCHE RATSCHLÄGE	46
WAS BEDEUTEN DIE STERNE?	46
ZONEN IM KÜHLSCHRANK	47
PRODUKTE, DIE NICHT IM KÜHLSCHRANK AUFBEWAHRT WERDEN SOLLTEN.	47
<b>ABTAUEN, REINIGEN UND PFLEGEN</b>	<b>48</b>
ABTAUEN DES KÜHLRAUMES***	48
ABTAUEN DES GEFRIERRAUMES**	48
ABTAUENDES GEFRIERRAUMES:**	49
AUTOMATISCHE ABTAUUNG DES KÜHLRAUMES****	49
AUTOMATISCHE ABTAUUNG DES GEFRIERRAUMES*****	49
REINIGEN DES KÜHL- UND GEFRIERRAUMES*****	49
EINBAU UND AUSBAU DER ABSTELLPLATTEN *****	49
EINBAU UND AUSBAU DER TÜRFÄCHER *****	49
<b>LOKALISIERUNG VON STÖRUNGEN</b>	<b>50</b>
<b>GARANTIE, NACHVERKAUF-SERVICE</b>	<b>52</b>
GARANTIE	52

# CS- Obsah

<b>POKYNY TÝKAJÍCÍ SE BEZPEČNOSTI POUŽÍVÁNÍ</b>	<b>54</b>
<b>INSTALACE A PROVOZNÍ PODMÍNKY SPOTŘEBICE</b>	<b>59</b>
INSTALACE PŘED PRVNÍM SPUŠTĚNÍM	59
MINIMÁLNÍ VZDÁLENOSTI OD TEPELNÝCH ZDROJŮ	59
PŘIPOJENÍ NAPÁJENÍ	60
ODPOJENÍ OD NAPÁJENÍ	60
KLIMATIČKÁ TŘÍDA	60
<b>VYBALENÍ</b>	<b>61</b>
<b>LIKVIDACE OPOTŘEBOVANÝCH ZAŘÍZENÍ</b>	<b>62</b>
<b>OBSLUHA A FUNKCE</b>	<b>63</b>
UCHOVÁVÁNÍ POTRAVIN V CHLADNIČCE A MRAZNIČCE	63
ZMRAZOVÁNÍ VÝROBKŮ**	63
<b>OVLÁDÁNÍ</b>	<b>65</b>
OVLÁDÁNÍ ZAŘÍZENÍ	65
REGULACE TEPLoty UVNITŘ ZAŘÍZENÍ	65
DALŠÍ INFORMACE O TEPLOTĚ	66
<b>OSVĚTLENÍ</b>	<b>66</b>
VÝMĚNA OSVĚTLENÍ	66
<b>JAK EKONOMICKY POUŽÍVAT CHLADNIČKU</b>	<b>67</b>
PRAKTICKÉ PORADY	67
CO ZNAMENAJÍ HVĚZDIČKY?	67
ZÓNY V CHLADNIČCE	68
PRODUKTY, KTERÉ BY NEMĚLY BÝT PŘECHOVÁVÁNÉ V CHLADNIČCE	68
<b>ODMRAZOVÁNÍ, MYTÍ A ÚDRŽBA</b>	<b>69</b>
ODMRAZOVÁNÍ CHLADNIČKY***	69
ODMRAZOVÁNÍ MRAZNIČKY**	69
PRO ODMRAZENÍ MRAZICÍHO PROSTORU MRAZNIČKY JE TŘEBA**	70
AUTOMATICKÉ ODMRAZOVÁNÍ CHLADNIČKY****	70
AUTOMATICKÉ ODMRAZOVÁNÍ MRAZNIČKY****	70
RUČNÍ MYTÍ MRAZICÍHO PROSTORU CHLADNIČKY A MRAZNIČKY****	70
VYTAHOVÁNÍ A VKLÁDÁNÍ POLIC *****	70
VYTAHOVÁNÍ A VKLÁDÁNÍ DVEŘNÍHO REGÁLU *****	70
<b>URČOVÁNÍ ZÁVAD</b>	<b>71</b>
<b>ZÁRUKA, POPRODEJNÍ SERVIS</b>	<b>73</b>
ZÁRUKA	73

# SK- Obsah

<b>DÔLEŽITÉ BEZPEČNOSTNÉ POKYNY</b>	<b>75</b>
<b>INŠTALÁCIA A PREVÁDZKOVÉ PODMIENKY SPOTREBIČA</b>	<b>80</b>
INŠTALÁCIA PRED PRVÝM SPUSTENÍM	80
MINIMÁLNE VZDIALENOSTI OD TEPELNÝCH ZDROJOV	80
PRIPOJENIE NAPÁJANIA	81
ODPOJENIE OD NAPÁJANIA	81
KLIMATICKÁ TRIEDA	81
<b>ROZBALENIE</b>	<b>82</b>
<b>LIKVIDÁCIA ZARIADENÍ</b>	<b>83</b>
<b>OVLÁDANIE</b>	<b>84</b>
OVLÁDANIE ZARIADENIA	84
NASTAVENIE TEPLoty VO VNÚTRI ZARIADENIA	84
DODATOČNÉ INFORMÁCIE O TEPLOTE	85
<b>OSVETLENIE</b>	<b>85</b>
VÝMENA OSVETLENIA	85
<b>OBSLUHA A FUNKCIE</b>	<b>86</b>
UCHOVÁVANIE POTRAVÍN V CHLADNIČKE A MRAZNIČKE	86
ZMRAZOVANIE VÝROBKOV**	86
<b>AKO EKONOMICKY POUŽÍVAŤ CHLADNIČKU</b>	<b>88</b>
PRAKTICKÉ RADY	88
ČO ZNAMENAJÚ HVIEZDIČKY?	88
ZÓNY V CHLADNIČKE	89
PRODUKTY, KTORÉ BY NEMALI BYŤ PRECHOVÁVANÉ V CHLADNIČKE	89
<b>ODMRAZOVANIE, UMYVANIE A ÚDRŽBA</b>	<b>90</b>
ODMRAZOVANIE CHLADNIČKY***	90
ODMRAZOVANIE MRAZNIČKY**	90
PRE ODMRAZENIE MRAZIACEHO PRIESTORU MRAZNIČKY JE POTREBA**	91
AUTOMATICKÉ ODMRAZOVANIE CHLADNIČKY****	91
AUTOMATICKÉ ODMRAZOVANIE MRAZNIČKY*****	91
RUČNÉ UMYVANIE KOMORY CHLADNIČKY A MRAZNIČKY*****	91
VYŤAHOVANIE A VKLADANIE POLÍC*****	91
VYŤAHOVANIE A VKLADANIE PRIEHRADKY*****	91
<b>LOKALIZÁCIA ZÁVAD</b>	<b>92</b>
<b>ZÁRUKA, POPREDAJNÝ SERVIS</b>	<b>94</b>
ZÁRUKA	94

# FR- Table des matières

<b>CONSIGNES DE SECURITÉ D'UTILISATION</b>	<b>96</b>
<b>INSTALLATION ET CONDITIONS DE FONCTIONNEMENT DE L'APPAREIL</b>	<b>101</b>
INSTALLATION AVANT LA PREMIÈRE MISE EN MARCHÉ	101
LES DISTANCES MINIMUMS DES SOURCES DE CHAUFFAGE	101
RACCORDEMENT AU RÉSEAU ÉLECTRIQUE	102
MISE HORS CIRCUIT	102
CLASSE CLIMATIQUE	102
<b>DÉBALLAGE</b>	<b>103</b>
<b>ÉLIMINATION DES APPAREILS USAGÉS</b>	<b>104</b>
<b>UTILISATION ET FONCTIONS</b>	<b>105</b>
CONSERVATION DES DENRÉES DANS LE RÉFRIGÉRATEUR	105
CONGÉLATION DES PRODUITS**	105
<b>COMMANDE</b>	<b>107</b>
COMMANDE DE L'APPAREIL	107
RÉGLAGE DE LA TEMPÉRATURE À L'INTÉRIEUR DE L'APPAREIL	107
INFORMATIONS SUPPLÉMENTAIRES SUR LA TEMPÉRATURE	108
<b>ÉCLAIRAGE</b>	<b>108</b>
REMPLACEMENT DE L'ÉCLAIRAGE	108
<b>COMMENT EXPLOITER LE REFRIGERATEUR DE FAÇON ECONOMIQUE?</b>	<b>109</b>
CONSEILS PRATIQUES	109
QUE VEULENT DIRE LES ÉTOILES?	109
ZONES DE STOCKAGE DANS LE RÉFRIGÉRATEUR	110
PRODUITS QUI NE DEVRAIENT PAS ÊTRE STOCKÉS DANS LE RÉFRIGÉRATEUR	110
<b>DÉGIVRAGE, NETTOYAGE ET CONSERVATION</b>	<b>111</b>
DÉGIVRAGE DU RÉFRIGÉRATEUR***	111
DÉGIVRAGE DU CONGÉLATEUR**	111
MODE OPÉATOIRE POUR LE DÉGIVRAGE DU COFFRE DU CONGÉLATEUR:**	112
DÉGIVRAGE AUTOMATIQUE DU RÉFRIGÉRATEUR****	112
DÉGIVRAGE AUTOMATIQUE DU CONGÉLATEUR****	112
LAVAGE À MAIN DU COMPARTIMENT RÉFRIG ÉRATEUR ET CONGÉLATEUR****	112
ENLÈVEMENT ET MISE EN PLACE DES CLAYETTES *****	112
ENLÈVEMENT ET MISE EN PLACE DU BALCONNET *****	112
<b>LOCALISATION DES PANNES</b>	<b>113</b>
<b>GARANTIE, SERVICE APRÈS-VENTE</b>	<b>115</b>
GARANTIE	115

# NL- Inhoudsopgave

<b>AANWIJZINGEN BETREFFENDE VEILIGHEID VAN GEBRUIK</b>	<b>117</b>
<b>INSTALLATIE EN WERKOMSTANDIGHEDEN VAN HET APPARAAT</b>	<b>122</b>
INSTALLATIE VOOR DE EERSTE INGEBRIJKNAME	122
MINIMALE AFSTANDEN VAN WARMTEBRONNEN	122
AANSLUITEN OP HET ELECTRICITEITSNET	123
UITSCHAKELEN	123
KLIMAATKLASSE	123
<b>UITPAKKEN</b>	<b>124</b>
<b>VERWIJDERING VAN GEBRUIKTE APPARATUUR</b>	<b>125</b>
<b>BEDIENING EN FUNCTIES</b>	<b>126</b>
HET BEWAREN VAN PRODUCTEN IN DE KOELKAST	126
HET INVRIEZEN VAN PRODUCTEN**	126
<b>BEDIENING</b>	<b>128</b>
BEDIENING VAN HET APPARAAT	128
REGELEN VAN DE TEMPERATUUR IN HET APPARAAT	128
AANVULLENDE INFORMATIE BETREFFENDE DE TEMPERATUUR	129
<b>VERLICHTING</b>	<b>129</b>
VERVANGING VAN DE VERLICHTING	129
<b>HOE KAN DE KOELKAST ECONOMISCH GEBRUIKT WORDEN?</b>	<b>130</b>
PRAKTISCHE TIPS	130
WAT BETEKENEN DE STERRETJES?	130
ZONES IN DE KOELKAST	131
LEVENS MIDDELEN DIE NIET IN DE KOELKAST BEWAARD MOGEN WORDEN	131
<b>ONTDOOIEN, WASSEN EN ONDERHOUD</b>	<b>132</b>
ONTDOOIEN VAN DE KOELKAST***	132
ONTDOOIEN VAN DE DIEPVRIEZER**	132
OM DE VRIESRUIMTE TE ONTDOOIEN HANDELT U ALS VOLGT:**	133
AUTOMATISCH ONTDOOIEN VAN DE KOELKAST****	133
AUTOMATISCH ONTDOOIEN VAN DE DIEPVRIEZER****	133
HANDWASSEN VAN DE KOELKAST EN DIEPVRIEZER****	133
UITHALEN EN INZETTEN VAN DE LEGPLATEAUS*****	133
PLAATSEN EN VERPLAATSEN VAN DE OPBERGVAK*****	133
<b>STORINGEN VINDEN EN VERHELPE</b>	<b>134</b>
<b>GARANTIE, SERVICE</b>	<b>136</b>
GARANTIE	136

# HR- Kazalo

<b>VAŽNE SIGURNOSNE INFORMACIJE</b>	<b>138</b>
<b>INSTALACIJA I UVJETI RADA UREĐAJA</b>	<b>143</b>
INSTALACIJA PRIJE PRVOG POKRETANJA	143
MINIMALNE UDALJENOSTI OD IZVORA TOPLINE	143
UKLJUČIVANJE U ELEKTRIČNU MREŽU	144
ISKLUČIVANJE IZ ELEKTRIČNE MREŽE	144
KLIMATSKI RAZRED	144
<b>UKLANJANJE PAKIRANJA</b>	<b>145</b>
<b>ZBRINJAVANJE POTROŠENIH UREĐAJA</b>	<b>146</b>
<b>UPRAVLJANJE</b>	<b>147</b>
UPRAVLJANJE UREĐAJEM	147
REGULACIJA TEMPERATURE UNUTAR UREĐAJA	147
DODATNE INFORMACIJE O TEMPERATURI	148
<b>RASVJETA</b>	<b>148</b>
ZAMJENA ŽARULJE	148
<b>UPORABA I FUNKCIJE</b>	<b>149</b>
POHRANJIVANJE NAMIRNICA U HLADNJAKU I ZAMRZIVAČU	149
ZAMRZAVANJE NAMIRNICA**	149
<b>EKONOMIČNA UPORABA HLADNJAKA</b>	<b>151</b>
PRAKTIČNI SAVJETI	151
ŠTO ZNAČE ZVJEZDICE?	151
ZONE TEMPERATURA U HLADNJAKU	152
NAMIRNICE KOJE NE BI TREBALI ČUVATI U HLADNJAKU.	152
<b>ODLEĐIVANJE, PRANJE I ODRŽAVANJE</b>	<b>153</b>
ODLEĐIVANJE I PRANJE HLADNJAKA ***	153
ODLEĐIVANJE I PRANJE ZAMRZIVAČA**	153
U CILJU ODLEĐIVANJA KOMORE ZAMRZIVAČA:**	154
AUTOMATSKO ODLEĐIVANJE HLADNJAKA****	154
AUTOMATSKO ODLEĐIVANJE ZAMRZIVAČA****	154
RUČNO PRANJE HLADNJAKA I ZAMRZIVAČA.****	154
VAĐENJE I UMETANJE POLICA*****	154
VAĐENJE I UMETANJE POLICE VRATA*****	154
<b>RJESAVANJE PROBLEMA</b>	<b>155</b>
<b>JAMSTVO, POSLIJEPRODAJNE AKTIVNOSTI</b>	<b>157</b>
JAMSTVO	157



# SL- Sadržaj

<b>POMEMBNE VARNOSTNE NASTAVITVE</b>	<b>159</b>
<b>MONTAŽA IN POGOJI DELOVANJA NAPRAVE</b>	<b>164</b>
INŠTALACIJA PRED PRVIM VKLOPOM	164
MINIMALNE ODDALJENOSTI OD TOPLOTNIH VIROV	164
POVEZAVA NAPAJANJA	165
ODKLOP OD NAPAJANJA	165
KLIMATSKI RAZRED	165
<b>RAZPAKIRANJE</b>	<b>166</b>
<b>ODSTRANJEVANJE IZRABLJENIH NAPRAV</b>	<b>167</b>
<b>UPORABA IN FUNKCIJE</b>	<b>168</b>
SHRANJEVANJE IZDELKOV V HLADILNIKU IN ZAMRZOVALNIKU	168
ZAMRZOVANJE IZDELKOV**	168
<b>UPRAVLJANJE</b>	<b>170</b>
UPRAVLJANJE NAPRAVE	170
REGULACIJA TEMPERATURE ZNOTRAJ NAPRAVE	170
DODATNE INFORMACIJE GLEDE TEMPERATURE	171
<b>OSVETLITEV</b>	<b>171</b>
MENJAVA OSVETLITVE	171
<b>KAKO HLADILNIK UPORABLJAMO EKONOMIČNO</b>	<b>172</b>
PRAKTIČNI NASVETI	172
KAJ POMENIJO ZVEZDICE?	172
TEMPERATURNE CONE V HLADILNIKU	173
IZDELKI, KI JIH NE ŠMETE SHRANJEVATI V HLADILNIKU	173
<b>ODMRZOVANJE, ČIŠČENJE IN VZDRŽEVANJE</b>	<b>174</b>
ODMRZOVANJE IN UMIVANJE HLADILNIKA ***	174
ODMRZOVANJE IN UMIVANJE ZAMRZOVALNIKA**	174
DA ODMRZNEMO KOMORO ZAMRZOVALNIKA, JE POTREBNO**:	175
AVTOMATIČNO ODMRZOVANJE HLADILNIKA****	175
AVTOMATIČNO ODMRZOVANJE HLADILNIKA****	175
ROČNO UMIVANJE NOTRANJOSTI HLADILNIKA IN ZAMRZOVALNIKA.****	175
ODSTRANJEVANJE IN NAMEŠČANJE POLIC*****	175
ODSTRANJEVANJE IN NAMEŠČANJE BALKONOV*****	175
<b>ZAZNAVA OKVARE</b>	<b>176</b>
<b>GARANCIJA, POPRODAJNE STORITVE</b>	<b>178</b>
GARANCIJA	178

# PL - Spis treści

<b>WSKAZÓWKI DOTYCZĄCE BEZPIECZEŃSTWA</b>	<b>180</b>
<b>INSTALACJA I WARUNKI PRACY URZĄDZENIA</b>	<b>185</b>
INSTALACJA PRZED PIERWSZYM URUCHOMIENIEM	185
MINIMALNE ODLEGŁOŚCI OD ŹRÓDEŁ CIEPŁA	185
PODŁĄCZENIE ZASILANIA	186
ODŁĄCZENIE OD ZASILANIA	186
KLASA KLIMATYCZNA	186
<b>ROZPAKOWANIE</b>	<b>187</b>
<b>USUWANIE ZUŻYTYCH URZĄDZEŃ</b>	<b>188</b>
<b>OBŚLUGA I FUNKCJE</b>	<b>189</b>
PRZECHOWYWANIE PRODUKTÓW W CHŁODZIARCE I ZAMRAŻARCE	189
ZAMRAŻANIE PRODUKTÓW**	189
<b>STEROWANIE</b>	<b>191</b>
STEROWANIE URZĄDZENIEM	191
REGULACJA TEMPERATURY WEWNĄTRZ URZĄDZENIA	191
DODATKOWE INFORMACJE DOTYCZĄCE TEMPERATURY	192
<b>OŚWIETLENIE</b>	<b>192</b>
WYMIANA OŚWIETLENIA	192
<b>JAK EKONOMICZNIE UŻYTKOWAĆ LODÓWKĘ</b>	<b>193</b>
PORADY PRAKTYCZNE	193
CO OZNACZAJĄ GWIAZDKI?	193
PORADY PRAKTYCZNE	194
PRODUKTY, KTÓRYCH NIE NALEŻY PRZECHOWYWAĆ W LODÓWCE	194
<b>ODSZRANIANIE, MYCIE I KONSERWACJA</b>	<b>195</b>
ODSZRANIANIE I MYCIE CHŁODZIARKI ***	195
ODSZRANIANIE I MYCIE ZAMRAŻARKI**	195
ABY ODSZRONIĆ KOMORĘ ZAMRAŻARKI, NALEŻY**	196
AUTOMATYCZNE ODSZRANIANIE CHŁODZIARKI****	196
AUTOMATYCZNE ODSZRANIANIE ZAMRAŻARKI****	196
MYCIE RĘCZNE KOMORY CHŁODZIARKI I ZAMRAŻARKI.****	196
WYJMOWANIE I WKŁADANIE PÓLEK*****	196
WYJMOWANIE I WKŁADANIE BALKONIKA*****	196
<b>LOKALIZACJA USTEREK</b>	<b>197</b>
<b>GWARANCJA, OBSŁUGA POSPRZEDAŻOWA</b>	<b>199</b>
GWARANCJA	199

# Dear customer,

From now on, your daily housework will be easier than ever before. Your appliance **Amica** is exceptionally easy to use and extremely efficient. After reading these Operating Instructions, operating the appliance will be easy.

Before being packaged and leaving the manufacturer, the appliance was thoroughly checked with regard to safety and functionality.

Before using the appliance, please carefully read these Operating Instructions. By following these instructions carefully you will be able to avoid any problems in using the appliance. It is important to keep these Operating Instructions and store them in a safe place so that they can be consulted at any time.

**Follow these instructions carefully in order to avoid possible accidents.**

Sincerely,

**Amica**

# **GUIDELINES CONCERNING THE SAFETY OF USE**

- The appliance is intended for household use only.
- The manufacturer reserves the right to introduce changes which do not affect the operation of the appliance.
- Some provisions in this user manual are unified for refrigerating products of different types (for a refrigerator, refrigerator-freezer or freezer)
- The Manufacturer shall not be held liable for damage arising from the failure to observe the instructions contained in this manual.
- Keep this manual for future reference, or to pass it over to the next user.
- This appliance is not intended for use by persons (including children) with limited physical or mental capabilities and persons who lack experience or familiarity with the appliance.
- Do not allow children to use the appliance. Do not allow them to play with the appliance. They must not climb inside the drawers and swing on the doors.
- The appliance operates properly at the ambient temperature (see product fiche). Do not use it in the cellar, unheated summer cottage during autumn and winter.
- When placing, moving, lifting the appliance, do not hold the door handles, do not pull the condenser at the rear part of the refrigerator and do not touch the compressor unit.
- When transporting, moving or positioning the fridge-freezer do not tilt it by more than 40° from the vertical position. Should such a situation occur, the appliance should be switched on after minimum 2 hours from its replacement in the right position (fig.2).

- Pull the plug out from the mains socket before each maintenance activity. Do not pull on the cord, but hold the body of the plug instead.
- The “cracking” sound, which the appliance may emit is caused by the expansion and contraction of parts as a result of temperature variations.
- For safety reasons do not repair the appliance yourself. Repairs carried out by persons who do not have the required qualifications may result in serious danger for the user of the appliance.
- Air the room in which the appliance is placed for a few minutes (the size of the room for a product containing isobutane/R600a must be at least 4m<sup>3</sup>) to avoid damage to the cooling system.
- Do not refreeze partly thawed products.
- Do not store beverages in bottles and cans, especially carbonated beverages, in the freezer chamber. The cans and the bottles may explode.
- Do not put frozen products, taken out directly from the freezer (lollies, ice cubes, etc.) into your mouth, their low temperature may cause severe frostbite.
- Make sure you do not damage the cooling system, by puncturing the refrigerant pipes in the evaporator or breaking the pipes. The refrigerant is flammable. If the refrigerant makes contact with the eyes, rinse them with clean water and call for medical assistance immediately.
- If the power wire gets broken, it should be replaced with a new one in a specialist repair shop.
- This appliance is intended for food storage, do not use it for other purposes.
- When performing activities, such as cleaning, maintenance or moving, the appliance must be completely disconnected from power supply (by pulling the plug out from the socket)
- This appliance can be used by children aged 8 years and older or by persons with physical, men-

tal or sensory handicaps, or by those who are inexperienced or unfamiliar with the appliance, provided they are supervised or have been instructed how to safely use the appliance and are familiar with risks associated with the use of the appliance. Ensure that children do not play with the appliance. Cleaning and maintenance of the appliance should not be performed by children unless they are 8 years or older and are supervised by a competent person.

- In order to obtain more space in the freezer, you can remove the drawers and place the food directly on the shelves. This has no effect on the product mechanical properties and cooling performance. Declared freezer capacity was calculated with the drawers removed.



**WARNING:** Risk of fire / flammable materials

- Children aged from 3 to 8 years are allowed to load and unload refrigerating appliances.

To avoid contamination of food, please respect the following instructions:

- Opening the door for long periods can cause a significant increase of the temperature in the compartments of the appliance.
- Clean regularly surfaces that can come in contact with food and accessible drainage systems.
- Store raw meat and fish in suitable containers in the refrigerator, so that it is not in contact with or drip onto other food.
- Two-star frozen-food compartments are suitable for storing pre-frozen food, storing or making ice-cream and making ice cubes.
- One-, two- and three-star compartments are not suitable for the freezing of fresh food

	Compartments TYPE	Target storage temp.[°C]	Appropriate food
1	Fridge	+2≤+8	Eggs, cooked food, packaged food, fruits and vegetables, dairy products, cakes, drinks and other foods are not suitable for freezing.
2	Freezer ❄️❄️❄️	≤-18	Seafood (fish, shrimp, shellfish), freshwater aquatic products and meat products (recommended for 3 months, the longer the storage time, the worse the taste and nutrition), suitable for frozen fresh food.
3	Freezer ❄️❄️	≤-18	Seafood (fish, shrimp, shellfish), freshwater aquatic products and meat products (recommended for 3 months, the longer the storage time, the worse the taste and nutrition), are not suitable for frozen fresh food.
4	Freezer ❄️❄️	≤-12	Seafood (fish, shrimp, shellfish), freshwater aquatic products and meat products (recommended for 2 months, the longer the storage time, the worse the taste and nutrition), are not suitable for frozen fresh food
5	Freezer ❄️	≤-6	Seafood (fish, shrimp, shellfish), freshwater aquatic products and meat products (recommended for 1 months, the longer the storage time, the worse the taste and nutrition), are not suitable for frozen fresh food.
6	0- star compartment	-6≤0	Fresh pork, beef, fish, chicken, some packaged processed foods, etc. (Recommended to eat within the same day, preferably no more than 3 days). Partially encapsulated processed foods (non-freezable foods)
7	Chill	2≤+3	Fresh/frozen pork, beef, chicken, freshwater aquatic products, etc.(7 days below 0°C and above 0°C is recommended for consumption within that day, preferably no more than 2 days). Seafood (less than 0 for 15 days, it is not recommended to store above 0°C)
8	Fresh Food	0≤+4	Fresh pork, beef, fish, chicken, cooked food, etc. (Recommended to eat within the same day, preferably no more than 3 days)
9	Wine	+5≤+20	red wine,white wine,sparkling wine etc.

- Note: please store different foods according to the compartments or target storage temperature of your purchased products.

- If the refrigerating appliance is left empty for long periods, switch off, defrost, clean, dry, and leave the door open to prevent mould developing within the appliance.
- Water dispenser cleaning (special for water dispenser products): Clean water tanks if they have not been used for 48 h; flush the water system connected to a water supply if water has not been drawn for 5 days.
- Pursuant to Commission Regulation (EU) 2019/2019, the minimum availability period for spare parts necessary to repair the appliance is 7 or 10 years depending on the type and purpose of the spare part.
- The list of spare parts and the ordering procedure are available on the websites of the manufacturer, importer or an authorized representative.
- For more information about the product, please refer to the EU EPREL Product Database at <https://eprel.ec.europa.eu>. For more information, please use your mobile device to scan the QR code on the energy label or enter the product model listed on the energy label in the EPREL search engine <https://eprel.ec.europa.eu/>



# INSTALLATION AND OPERATING CONDITIONS OF THE APPLIANCE

This refrigeration appliance is not intended for use as a built-in appliance.

## Installation before using the appliance for the first time

- Take the product out of the package, remove the scotch tape protecting the door and the equipment. Any remaining adhesive stains may be removed with a mild washing agent.
- Do not throw away the polystyrene elements of the packaging. If it is necessary to transport the fridge-freezer, pack it in the polystyrene elements and film as well as protecting it with scotch tape
- Clean the interior surface of the fridge-freezer and the elements of the equipment with a washing agent dissolved in lukewarm water, then wipe it dry.
- Place the fridge-freezer on an even, flat and stable surface, in dry, aired and shaded room, far from the heat sources such as: oven, hob, central heating radiators, central heating pipes, hot water installation, etc.
- On the exterior surface of the product may be a protective foil, this foils should be removed.
- Make sure the appliance is placed in a horizontal position by screwing in the 2 adjustable front legs (fig. 3)
- To ensure that the door opens freely, the distance between the side of the appliance (on door hinges side) and the wall is shown on figure 5.\*
- Ensure adequate ventilation of the room and free air circulation from all sides of the appliance (fig. 6).\*

## Minimum distances from the heat sources

- from the electric gas and other ovens - 30 mm,
- from oil or coal fired ovens - 300 mm,
- from built-in ovens - 50 mm

If there is no possibility of ensuring the above- mentioned distances, provide an appropriate insulation board.

## Warning:

- The rear wall of the refrigerator, in particular, the condenser and other elements of the cooling system must not contact other elements, which may damage them, (e.g. central heating pipes and the water supply pipes).
- It is forbidden to readjust or modify any parts of the unit. It is crucial not to damage the capillary tube visible in the compressor recess. The tube may not be bent, straightened or wound.
- If the capillary tube is damaged by the user the guarantee will be void (fig. 8).
- In some models the handle is put into the appliance, You should screw it with Your own screwdriver,

## Mains connection

- Prior to connection, it is recommended to set the temperature control knob to an „OFF“ or other position that disconnects the appliance from the power supply (See page with the control description).
- This appliance should be connected to AC 220-240V 50Hz supply socket. The socket must be fitted properly, and must be supplied with an earthing conduit and a 10A fuse.
- It is a legal requirement that the appliance is properly earthed. The manufacturer will not be held liable for any damage or injury which may result from the failure to fulfil this requirement.
- Do not use adapters, multiple sockets and two-wire extension leads. If it is necessary to use the extension lead, it must be equipped with a protection ring and a single socket and must have a VDE/GS safety certificate.
- If an extension lead is used (with a protection ring and safety certificate), its socket must be located at a safe distance, away from the sinks, and must not be in a place where it could be flooded by water or waste water.
- See the type plate at the lower part of the internal wall of the appliance for detailed specifications\*\*.

## Disconnecting the mains

Make sure the appliance can be easily disconnected from the mains, either by pulling the plug out of the mains socket, or by switching the two-pole switch off (fig. 9).

## Climate range

The information about the climate range of the appliance is provided on the rated plate. It indicates at which ambient temperature (that is, room temperature, in which the appliance is working) the operation of the appliance is optimal (proper).

Climate class		Allowable ambient temperature
SN	Extended Temperate	This refrigeration appliance is intended for use at an ambient temperature ranging between 10°C and 32°C
N	Temperate	This refrigeration appliance is intended for use at an ambient temperature ranging between 16 °C and 32°C
ST	Subtropical	This refrigeration appliance is intended for use at an ambient temperature ranging between 16 °C and 38 °C
T	Tropical	This refrigeration appliance is intended for use at an ambient temperature ranging between 16 °C and 43 °C

\* Only free-standing appliances

\*\* According to the model

# UNPACKING



During transportation, protective packaging was used to protect the appliance against any damage. After unpacking, please dispose of all elements of packaging in a way that will not cause damage to the environment.

All materials used for packaging the appliance are environmentally friendly; they are 100% recyclable and are marked with the appropriate symbol.

Important! Packaging materials (bags, polyethylene, polystyrene, etc.) should be kept away from children during unpacking.

# DISPOSAL OF OLD APPLIANCE



In accordance with European Directive 2012/19/EU and local legislation regarding used electrical and electronic goods, this appliance is marked with the symbol of the crossed-out waste container. This marking indicates that the appliance must not be disposed

of together with other household waste after it has been used.

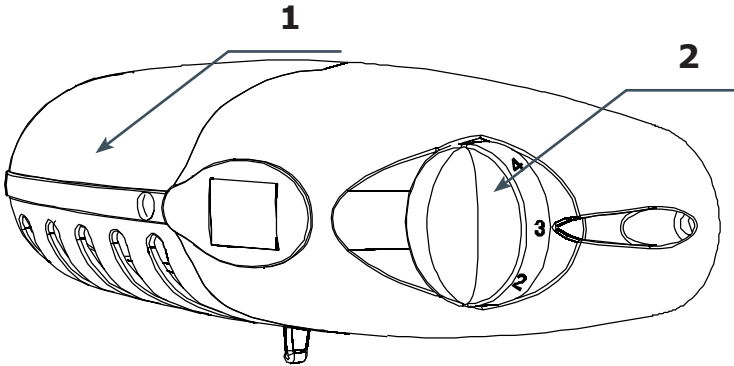
The user is obliged to hand it over to waste collection centre collecting used electrical and electronic goods. The collectors, including local collection points, shops and local authority departments provide recycling schemes.

Proper handling of used electrical and electronic goods helps avoid environmental and health hazards resulting from the presence of dangerous components and the inappropriate storage and processing of such goods.

# CONTROLS

## Appliance controls

The control panel is shown in figure 10. For reference it is also shown below:



- 1 — Light
- 2 — Temperature control dial

## Adjust temperature inside the appliance

Turn the dial to adjust the temperature in the appliance:

OFF/0 position Appliance is off

Setting 1 The highest temperature inside the appliance (warmer)

Settings 2-6 Medium temperature inside the appliance

Setting 7 The lowest temperature inside the appliance (cooler)

### Note:

- The temperature control dial in your appliance can be marked differently than in this manual. The general principle of operation is described above.
- If there is no position marked "OFF" or "0" on the dial, turn off your appliance by unplugging the power cord from the wall outlet. Before unplugging set the lowest setting on the temperature control dial.

## **Additional information on the temperature**

- The temperature inside the appliance is influenced by many factors. How you set the temperature control dial depends on the ambient temperature, sun exposure, how often you open the door and the amount of food stored. The middle setting of the dial is most optimal in most cases.
- Do not put food into the fridge freezer before it has reached its operating temperature, which takes minimum 4 hours.
- Do not change the temperature settings due to the change in the season of the year. The ambient temperature increase will be detected by the sensor and the compressor will be switched on automatically for a longer period of time in order to maintain the temperature set inside the chambers.
- The slight changes in temperature are perfectly normal and may occur, for instance during the storage of great quantities of fresh products in the fridge, or when the door is open for a longer period of time. This will not affect the condition of the stored foodstuff, and the temperature will quickly return to its set value.

# **LIGHTING**

This section applies to units factory equipped with incandescent lightbulb and selected appliances equipped with LED lighting with E14 thread.

## **Replace the light bulb**

- Set the knob to "OFF", then unplug the appliance.
- Remove the bulb cover (Fig. 18).
- Replace the bulb with one having identical parameters as the factory installed bulb (E14 thread, 220-240V, maximum dimensions: 26 mm diameter, 55 mm length).
- Replace the bulb cover.
- Bulbs of a higher or lower power should not be used, only use bulbs of the specification given above.

### **Note:**

- The light bulb must not be used for room illumination.
- If Figure 18 is not shown in this manual, light source can only be replaced by a qualified service technician.

# OPERATION AND FUNCTIONS

## Storage of food in the fridge-freezer

- The products should be placed on plates, in containers or packed in food wrap. Distribute them evenly over the shelves.
- If the food contacts the rear wall, it may cause frosting or wetting of the products.
- Do not put dishes with hot food into the fridge
- Products which absorb flavours easily such as butter, milk, white cheese and products with intense flavour, such as fish, smoked meat, hard cheese must be placed on shelves, packed in food wrap or in tightly sealed containers.
- The storage of vegetables containing significant quantities of water will cause the deposition of condensation on the vegetable containers, it does not impact on the proper functioning of the fridge.
- Before putting the vegetables into the fridge, dry them well.
- Excessive moisture shortens the shelf life of vegetables, especially the leafed vegetables.
- Do not wash the vegetables before storing in the refrigerator. Washing removes the natural protection, therefore it is better to wash the vegetables directly before consumption.
- It is recommended to place the products in freezer drawers 1, 2, 3\* up to natural loading capacity (Fig. 11a / 11b).\*\*
  1. Packed products
  2. Shelf
  3. Natural loading capacity
  4. ❌\*\*\*
- Stacking of products on the freezer shelves is acceptable.\*
- It is acceptable to place products beyond the natural loading capacity by 20-30 mm.\*\*
- In order to increase the loading capacity of the freezer chamber and allow the stacking of products on the freezer evaporator wire shelves up to maximum height it is possible to remove drawers 1 and 2.\*

## Freezing food\*\*

- Practically all the food products, except for vegetables consumed raw, such as lettuce can be frozen.
- Only food products of the highest quality, divided into small portions for single use, should be frozen.
- Products should be packed in materials that are odourless, resistant to air and moisture penetration, and not susceptible to fat. Plastic bags, polyethylene and aluminium sheets are the best wrapping materials.
- The packaging should be tight and should stick to the frozen products. Do not use glass containers.
- Keep fresh and warm foodstuff at ambient temperature away from the products, which have already been frozen.
- We advise you not to place more of fresh food at a time to the freezer per day (see table with technical specification).

- In order to maintain optimum quality of the frozen food, reorganise the food that is in the middle of the freezer, so that it does not touch the products that are not yet frozen.
- It is recommended that you move the already frozen products to one side and place the fresh products that are to be frozen on the opposite side, as close to the rear and side walls as possible.
- To freezing products, use space marked **[❌\*\*\*]**.
- Bear in mind that the temperature in the freezer is affected by several factors, including the ambient temperature and the quantity of food products in the chamber, the frequency of opening the door, the amount of frost in the freezer, and the thermostat setting.
- If you cannot open the freezer door immediately after closing it, allow 1-2 minutes for the negative pressure to compensate, and try again to open the door.

The storage time for frozen products depends on their quality before freezing when fresh, and on the storage temperature. The following storage periods are recommended when the temperature of -18°C or lower is maintained:

<b>Products</b>	<b>Months</b>
Beef	6-8
Veal	3-6
Giblets	1-2
Pork	3-6
Poultry	6-8
Eggs	3-6
Fish	3-6
Vegetables	10-12
Fruit	10-12

Do not store frozen food in rapid cooling chamber. Ice cubes can be prepared and stored in this chamber.

Note: If the appliance does not have a freezer compartment (**[❌\*\*\*]**), it is not suitable for freezing foodstuffs.

\* Applicable to appliances with a freezer compartment at the bottom of the appliance.

\*\* Applicable to appliances with a freezer compartment **[❌\*\*\*]**

\*\*\* Not applicable to appliances with a freezer compartment marked **[❌\*\*\*]**



# USING THE REFRIGERATOR EFFICIENTLY

## Practical everyday tips

- Do not place fridges or freezers next to radiators, heaters, stoves or in direct sunlight.
- Make sure that air vents are not covered up and clean the dust off them once or twice a year.
- Select the right temperature: 6 to 8°C in your refrigerator and -18°C in your freezer is sufficient.
- When on holiday, turn up the temperature in your fridge.
- Only open your fridge or freezer when necessary. It helps if you know what food each contains and where it is located. Return food to the fridge or freezer as soon as possible after you have used it so that it does not warm up too much.
- Wipe the inside of your fridge regularly with a cloth soaked in a mild detergent. Appliances which are not self-defrosting will require regular defrosting. Do not allow frost layers thicker than 10 mm to form.
- Keep the seal around the door clean, otherwise it will not shut properly. Always replace broken seals.

## Understanding the stars



Temperature is at least -6°C; sufficient to store frozen food for about a week. Drawers or compartments marked with one star used to be a feature of (mostly) cheaper fridges.



Food can be stored at -12°C or below for 1-2 weeks without losing its taste. Not suitable for freezing food.



This rating is mainly used to store foods at -18°C or below. Can also be used to freeze up to 1 kilogram of fresh food.



This appliance is suitable for storing foods at -18°C or below and freezing larger quantities of fresh foods.

## Practical tips

Due to the natural circulation of the air in the appliance, there are different temperature zones in the refrigerator chamber.

- The coldest area is directly above the vegetables drawers. Use this area for all delicate and highly perishable food e.g.:
  - Fish, meat, poultry
  - Sausage products, ready meals
  - Dishes or baked goods containing eggs or cream
  - Fresh dough, cake mixtures
  - Pre-packed vegetable and other fresh food with a label stating it should be kept at a temperature of approx 4°C.
- The warmest area is in the top section of the door. Use this for storing butter and cheese.

## Food that should not be stored in a refrigerator

- Not all food is suitable for storing in the refrigerator, particularly:
  - Fruit and vegetables which are sensitive to cold, such as bananas, avocado, papaya, passion fruit, aubergines, peppers, tomatoes and cucumbers.
  - Fruit which is not yet ripe
  - Potatoes

Warning:

Example of storing the food - see figure 12.

To achieve the most effective food preservation for the longest possible time and to avoid wasting any food, position the products as shown in Figure 12. In addition, this figure illustrates the layout of drawers, baskets and shelves, which allows the most efficient use of energy.

Optimal temperature and storage conditions will extend product shelf life and optimize electricity consumption. Optimal storage temperature range should be stated on the food product packaging.

# DEFROSTING, WASHING AND MAINTENANCE

Never clean the product's casing or plastic parts using solvents or strong, abrasive detergents (e.g. washing powders or creams)! Use mild liquid detergents and soft cloths only. Do not use sponges.

## Defrosting the fridge\*\*\*

- Frost settles on the rear wall of the fridge chamber. It is removed automatically. During the defrosting, the condensate, which contains contaminants may clog the opening in the through. Should it occur, carefully unclog the opening with the cleaning plug (fig. 13).
- The appliance operates in cycles: it refrigerates (then the frost settles on the rear wall), and defrosts (water flows down the rear wall)
- Disconnect the appliance from the mains before cleaning by removing the plug from the mains socket or switching off the fuse. Prevent water from penetrating the control panel or the light.
- Do not use defrosting aerosols. They may cause the formation of an explosive mixture, or contain solvents which may damage the plastic components of the appliance and even be harmful to health.
- Make sure the water used for cleaning does not flow into the evaporation container through the discharge opening.
- The whole appliance, except for the door gasket must be cleaned with a mild cleaning detergent. The door gasket should be cleaned with water and wiped dry.
- Wash all the accessories (vegetable containers, door shelves, glass shelves, etc.).

## Defrosting the freezer\*\*

- It is recommended to combine defrosting the appliance with washing it.
- Excessive accumulation of ice on the freezing areas impairs the appliance's freezing capacity and increases the energy consumption.
- Defrost the appliance at least once or twice a year. In case of a higher ice build-up, defrosting must be carried out more frequently.
- If there is food in the freezer, set the knob to the max. position about 4 hours before the planned defrosting. This will ensure the possibility of storing the food at the ambient temperature for a longer time.
- After taking the food out of the freezer, put it in a container, wrap it with several layers of paper, a blanket and store it at a cool place.
- The defrosting operation should last as short as possible. Long storage of food at the ambient temperature shortens their shelf life.

## **Defrost the freezer chamber following steps:\*\***

- Switch of the appliance using the control panel and pull the plug out from the socket..
- Open the door and remove the food from the freezer.
- Depending on the model, pull out the drainage tube located in the bottom of the freezer compartment and place a suitable vessel underneath.
- Leave the door open, this will speed up the defrost process. Additionally, a pot with hot water (not boiling) may be placed inside the freezer compartment.
- Wash the interior of the freezer and wipe it dry.
- Switch on the appliance as per the relevant point in the manual.

## **Automatic fridge defrosting\*\*\*\***

The fridge chamber has been equipped with an automatic defrosting function. However, frost may settle on the rear wall of the fridge chamber. This happens usually, when large quantities of fresh food products are stored in the fridge.

## **Automatic fridge defrosting\*\*\*\***

The freezer chamber has been equipped with an automatic defrosting function (no-frost). The food is frozen in the cooled circulation air, and the moisture from the freezer chamber is discharged outside. As a result, no ice and frost is produced in the freezer and the products do not freeze on each other.

## **Washing the fridge and freezer chambers manually\*\*\*\***

It is recommended to wash the fridge and freezer chambers at least once a year. This prevents the formation of bacteria and bad odours. Switch off the appliance, using button (1), remove the food from the chambers and wash them using water with a mild detergent. Then, wipe the chambers dry with a cloth.

## **Taking out and putting in the shelves\*\*\*\*\***

Slide the shelf out, then slide it in as much as possible so that its clamp could fit the guide groove (fig. 15).

## **Taking out and putting in the door shelf\*\*\*\*\***

Lift the door shelf, remove it and put it back from the top into its required position (fig. 16).

**WARNING!** You must not put an electric heater, a heating fan or a hair dryer into the freezer by any means.

\*\* Applicable to appliances with a freezer compartment 

\*\*\* Not applicable to appliances with a Frost-free System.

\*\*\* Applicable to appliances with a refrigerator compartment

\*\*\*\* Not applicable to appliances with a Frost-free System.

\*\*\*\* Applicable to appliances with a Frost-free System.

\*\*\*\*\* Does not apply to freezers

# TROUBLE-SHOOTING

<b>Problems</b>	<b>Possible causes</b>	<b>Remedies</b>
The appliance does not work	The electric circuit is disrupted	<ul style="list-style-type: none"> <li>- check whether the plug is properly inserted into the socket</li> <li>- check whether the power cable of the appliance is not damaged</li> <li>- check whether there is voltage in the socket, by plugging another appliance, e.g. a night lamp</li> <li>- check whether the appliance is switched on by setting the thermostat to a position above 0.</li> </ul>
The lighting inside the chamber does not work	The bulb is loose or fused (only appliances with bulb lightning type)	<ul style="list-style-type: none"> <li>- fit the bulb correctly or replace it (see section above "Replacing the interior light bulb")</li> </ul>
The appliance works continuously	<p>Incorrect setting of the adjustment knob</p> <p>See. "Temperature inside the appliance is not low enough for description of other possible causes"</p>	<ul style="list-style-type: none"> <li>- reset the knob to a lower position</li> </ul> <p>See. "Temperature inside the appliance is not low enough for description of other possible remedies"</p>
Water collects in the lower part of the appliance	<p>The water discharge opening is clogged (depending on the model)</p> <p>Internal air circulation obstructed</p>	<ul style="list-style-type: none"> <li>- clean the discharge opening (see the operating manual – chapter entitled "Defrosting the fridge")</li> <li>- place the food and containers in such a way as that they do not touch the rear wall of the fridge</li> </ul>
The appliance generates unusual noise	<p>Incorrect levelling of the appliance</p> <p>The appliance is touching furniture and/or other objects</p>	<ul style="list-style-type: none"> <li>- level the appliance properly</li> <li>- place the appliance at a location that ensures proper clearances around it</li> </ul>

<b>Problems</b>	<b>Possible causes</b>	<b>Remedies</b>
Temperature inside the appliance is not low enough or too high	Incorrect setting of the adjustment knob	- reset the knob to a higher position
	The ambient temperature is higher or lower than the climate range from table with technical specification	- the appliance is adapted to operation in the climate range from table with technical specification.
	The appliance is located in a sunlit place or near heat sources	- move the appliance to another place. Observe the guidelines contained in the manual
	Too much warm food loaded at a time	- wait 72 hours until the food becomes cool (freezes) and the required temperature is reached inside the chamber
	Internal air circulation obstructed	- place the food and containers in such a way that they do not touch the rear wall of the fridge
	The air circulation at the back of the appliance is obstructed	- move the appliance min. 30 mm away from the wall
	The door of the fridge/freezer is opened too often and/or remains open for too long	- reduce the frequency of opening the door and/or shorten the time when door remains open
	The door does not close completely	- place the food and containers so that they would not interfere with door closed
The compressor is switched on too rarely	- check whether the ambient temperature is not lower than climate class	
Door gasket inserted incorrectly	- press the gasket in	

Certain sounds can be heard during normal use of the refrigerator, which do not affect its correct operation.

Sounds, which can be easily prevented:

- noise caused by the appliance which is not level - adjust the position with the adjustable turn-in front feet. Alternatively, place pads made of soft material under the rear rollers, especially when the appliance is placed on tiles.
- touching the adjacent piece of furniture - move the refrigerator away.
- creaking of the drawers or shelves - take out and put back the drawer or shelf.
- sounds of clinking bottles - move bottles apart.

Sounds heard during normal use are mainly due to operation of the thermostat, compressor (switching on) and cooling system (thermal expansion and contraction of the radiator caused by flow of the cooling agent).

# WARRANTY AND AFTER SALES SERVICE

## Warranty

Warranty service as stated on the warranty card. The manufacturer shall not be held liable for any damage caused by improper use of the product.

### Service

- The manufacturer recommends that all repairs and adjustments be carried out by the Factory Service Technician or the Manufacturer's Authorized Service Point. For safety reasons, repairs should be referred to professionals.
- Repairs carried out by unqualified persons may seriously endanger the appliance user.
- The minimum warranty period for the appliance offered by the manufacturer, importer or authorized representative is given in the warranty card.
- The warranty shall be void if you make any independent adaptations or alterations, tamper with seals or other appliance safety devices or its parts or interfere with the appliance contrary to operating instructions.

In the event of appliance malfunction, request assistance or repair.

If your appliance needs repair, please contact the service centre. Please see warranty card for address and contact details of our service centre. Before contacting us, please have ready the appliance serial number, which can be found on the identification sticker: For your convenience, please write it down below:

--	--	--	--	--	--	--	--	--	--	--	--	--	--	--	--	--	--	--	--	--	--	--

### Manufacturer's Declaration

The manufacturer hereby declares that this product meets the requirements of the following European directives:

- **Low Voltage Directive 2014/35/EC**
- **Electromagnetic Compatibility (EMC) Directive 2014/30/EC**
- **ErP Directive 2009/125/EC**
- **Directive RoHS 2011/65/EC**

and has thus been marked with the **CE** symbol and been issued with a declaration of compliance made available to market regulators.

# Sehr geehrter Kunde,

Von heute an werden Ihre alltäglichen Pflichten einfacher denn je. Dieses Gerät **Amica** ist eine Verbindung einer außergewöhnlich leichten Bedienung und einer perfekten Effizienz. Nachdem Sie diese Bedienungsanleitung gelesen haben, ist die Bedienung des Gerätes kein Problem mehr.

Bevor das Gerät das Herstellerwerk verlassen konnte, wurde er vor dem Verpacken gründlich auf deren Sicherheit und Funktionalitäten an Prüfständen überprüft.

Bevor das Gerät in Betrieb genommen wird, lesen Sie bitte die Bedienungsanleitung aufmerksam durch. Befolgen Sie die darin stehenden Hinweise, vermeiden Sie verschiedene Bedienfehler. Diese Bedienungsanleitung ist zu erhalten und so aufzubewahren, dass sie jederzeit bei der Hand ist.

**Zur Vermeidung möglicher Unfälle befolgen Sie die in der Bedienungsanleitung stehenden Hinweise genau.**

Mit freundlichen Grüßen

**Amica**



# SICHERHEITSHINWEISE

- Das Gerät ist ausschließlich für den Einsatz im Haushalt bestimmt.
- Der Hersteller behält sich das Recht vor, Änderungen vorzunehmen, die Gerätefunktion nicht beeinträchtigen.
- Manche Bestimmungen dieser Bedienungsanleitung wurden für die Kühlgeräte verschiedener Art (für den Kühlschrank, Kühl-Gefriergerät oder Gefriergerät) vereinheitlicht. Die Information über die Art Ihres Gerätes ist dem Produktdatenblatt, das dem Gerät beigelegt wurde, zu entnehmen.
- Der Hersteller haftet nicht für die Schäden, die Folge der Nichteinhaltung in der vorliegenden Gebrauchsanweisung angeführten Prinzipien sind.
- Bewahren Sie diese Gebrauchsanweisung auf, um sie in Zukunft auszunutzen oder einem eventuellen Nachbesitzer übergeben zu können.
- Das Gerät darf nicht durch Personen (darunter auch Kinder) mit eingeschränkten körperlichen, sinnlichen oder psychischen Fähigkeiten sowie durch unerfahrene sowie solche Personen, die das Gerät nicht kennen, bedient werden, es sei denn, es geschieht unter Aufsicht oder gemäß der Anweisungen der für ihre Sicherheit verantwortlichen Personen.
- Erlauben Sie nicht den Kindern das Gerät ohne Aufsicht zu bedienen. Erlauben Sie den Kinder nicht mit dem Gerät zu spielen. Lassen Sie die Kinder nicht sich auf die aufschiebbaeren Bestandteile des Kühlschranks zu setzen oder auf der Kühlschranktür zu hängen.
- Das Kühl-Gefriergerät arbeitet ordnungsgemäß bei einer Raumtemperatur, die in der Tabelle mit der technischen Spezifikation angegeben ist. Das Gerät ist nur für den Gebrauch in Innenräumen geeignet, allerdings nicht in unbeheizten Kellerräumen, Hausfluren oder Sommerhäusern.
- Zum Aufstellen und Verschieben des Gerätes dürfen nie die Türgriffe, die Kondensatorröhrchen oder die Kompressoreinheit benutzt werden.
- Das Kühl- und Gefriergerät sollte während des Trans-

ports oder der Aufstellung nur bis zu 40° geneigt werden. Ist der Winkel größer, darf das Gerät erst nach 2 Stunden eingeschaltet werden. (Abb. 2).

- Vor jeder Wartungsarbeit ist der Netzstecker aus der Steckdose zu entfernen. (Nicht am Kabel, sondern immer am Netzstecker ziehen).
- Knackende Geräusche sind eine Folge der Materialausdehnung bzw. -zusammenziehung einzelner Bauelemente, die durch Temperaturschwankungen des Kühlmittels hervorgerufen werden.
- Aus Sicherheitsgründen ist das Gerät niemals selbständig zu reparieren, sondern nur durch Mitarbeiter einer autorisierten Fachwerkstatt. Nur so bleibt die vom Hersteller gewährte Garantie erhalten.
- Im Falle einer Beschädigung des Kühlkreislaufs muss der Raum, in dem das Gerät aufgestellt wurde, einige Minuten gut durchgelüftet werden (Das Gerät mit Isobutan R600a benötigt einen Raum von mindestens 4 qm Fläche.)
- Angetaute Lebensmittel dürfen auf keinen Fall wieder eingefroren werden
- Getränke in Flaschen und Dosen, dürfen nicht im Tiefkühlbereich aufbewahrt werden. Die Flaschen und Dosen platzen!
- Das aus dem Gefrierraum her- ausgenommene Gefriergut (Eis, Eiswürfel usw.) darf nicht direkt in den Mund genommen werden, es könnte schmerzhafte Erfrierungen verursachen.
- Das Kühlsystem niemals beschädigen. Das Kältemittel ist leicht entflammbar. Bei Kontakt mit den Augen sofort gründlich mit Wasser spülen und einen Arzt konsultieren.
- Ist die Anschlussleitung beschädigt, muss sie ersetzt werden. Diese darf nur von einer autorisierten Fachwerkstatt ausgewechselt werden.
- Das Gerät dient zur Aufbewahrung von Nahrungsmitteln, zu anderen Zwecken nicht verwenden.
- Das Gerät ist für die Dauer solcher Handlungen wie Reinigung, Wartung oder Änderung des Aufstellungsstandortes von der Stromversorgung ganz (durch Ziehen des Netzsteckers aus der Steckdose) zu trennen.

- Das Gerät kann von Kindern ab 8 Jahren und Personen mit eingeschränkten physischen, sensorischen oder geistigen Fähigkeiten oder mit mangelnder Erfahrung und Unkenntnis verwendet werden, wenn sie in die sichere Verwendung des Geräts eingewiesen wurden und sie die mit ihm verbundenen Gefahren verstanden haben. Kinder dürfen nicht mit dem Gerät spielen. Die Reinigung und Wartung des Gerätes dürfen von Kindern nicht erfolgen, es sei denn, dass sie das 8. Lebensjahr vollendet haben und von einer zuständigen Person beaufsichtigt wurden.
- Um mehr Platz im Gefriergerät zu bekommen, können die Schubladen herausgenommen und die Produkte direkt in die einzelnen Fächer gelegt werden. Die thermischen und mechanischen Eigenschaften des Gerätes werden hiervon nicht betroffen. Der deklarierte Nutzinhalt des Gefriergerätes wurde bei herausgenommenen Schubladen ermittelt.



WARNHINWEIS: Brandgefahr / brennbare Stoffe

- Kinder im Alter von 3 bis 8 Jahren können Produkte in das Kühlgerät legen oder herausnehmen.

Um die Kontamination von Lebensmitteln zu vermeiden, halten Sie sich an folgende Regeln:

- Lassen Sie die Tür nicht zu lange offen, da sonst die Temperatur in den Kühlfächern beachtlich ansteigen kann.
- Reinigen Sie die mit Lebensmitteln in Kontakt kommenden Flächen sowie gegebenenfalls die zugänglichen Wasserabläufe regelmäßig.
- Bewahren Sie rohes Fleisch und Fisch in den dafür vorgesehenen Kühlfächern auf, sodass sie nicht mit anderen Lebensmitteln in Kontakt kommen und kein Fleisch- oder Fischsaft auf andere Lebensmittel tropft.
- Die 2-Sterne-Fächer im Gefrierschrank dienen zur Lagerung von Tiefkühlprodukten, zum Aufbewahren oder Einfrieren von Eis sowie für die Herstellung von Eiswürfeln.

- Die Fächer mit einem, zwei oder drei Sternen sind nicht zum Einfrieren frischer Lebensmittel bestimmt.

	Arten von Kühlfächern	Vorgesehene Lagertemperatur [°C]	Geeignete Lebensmittel
1	Kühlschrank	+2≤+8	Eier, gekochte Lebensmittel, verpackte Lebensmittel, Obst und Gemüse, Milchprodukte, Kuchen, Getränke und andere nicht zum Einfrieren geeignete Produkte.
2	Gefrierfach ✱✱✱✱	≤-18	Meeresfrüchte (Fisch, Garnelen, Muscheln), Süßwasserfische und Fleischprodukte (möglichst maximal 3 Monate - je länger die Lagerzeit, desto mehr verliert das Produkt an Geschmack und Nährwerten), geeignet für eingefrorene frische Produkte.
3	Gefrierfach ✱✱✱	≤-18	Meeresfrüchte (Fisch, Garnelen, Muscheln), Süßwasserfische und Fleischprodukte (möglichst maximal 3 Monate - je länger die Lagerzeit, desto mehr verliert das Produkt an Geschmack und Nährwerten), nicht geeignet für eingefrorene frische Produkte.
4	Gefrierfach ✱✱	≤-12	Meeresfrüchte (Fisch, Garnelen, Muscheln), Süßwasserfische und Fleischprodukte (möglichst maximal 2 Monate, je länger die Lagerzeit, desto mehr verliert das Produkt an Geschmack und Nährwerten), nicht geeignet für eingefrorene frische Produkte.
5	Gefrierfach ✱	≤-6	Meeresfrüchte (Fisch, Garnelen, Muscheln), Süßwasserfische und Fleischprodukte (möglichst maximal 1 Monat - je länger die Lagerzeit, desto mehr verliert das Produkt an Geschmack und Nährwerten), nicht geeignet für eingefrorene frische Produkte.
6	Fach ohne Stern	-6≤0	Frisches Schweinefleisch, Rindfleisch, Fisch, Hähnchen, bestimmte verpackte verarbeitete Produkte, usw. (am besten noch am selben Tag und maximal innerhalb von 3 Tagen verzehren). Teilweise verpackte verarbeitete Produkte (nicht zum Einfrieren geeignete Produkte)
7	Kühlfach	2≤+3	Frisches/eingefrorenes Schweinefleisch, Rindfleisch, Hähnchen, Süßwasserfische etc. (7 Tage später 0°C, bei über 0°C am besten selben Tag und maximal innerhalb von 2 Tagen verzehren). Meeresfrüchte (unter 0°C für 15 Tage, nicht bei Temperaturen über 0°C lagern)

8	Fach für die Aufbewahrung von frischen Lebensmitteln	0≤+4	Frisches Schweinefleisch, Rindfleisch, Fisch, Hähnchen, gekochte Produkte etc. (am besten am selben Tag und maximal innerhalb von 3 Tagen verzehren).
9	Weinfach	+5≤+20	Rot- und Weißwein, Sekt etc.

- Hinweis: lagern Sie die Produkte gemäß den Anweisungen für die Fächer oder gemäß den Lagertemperaturen für die Produkte.
- Wenn der Kühlschrank über längere Zeit nicht benutzt wird und leer steht, müssen Sie ihn abschalten, abtauen, auswaschen, trocknen und die Tür offen lassen, damit sich im Inneren kein Schimmel bildet.
- Reinigung des Wasserspenders (bei Produkten mit Wasserspender): Reinigen Sie die Wasserbehälter, wenn sie über 48 Stunden nicht benutzt wurden; wenn das Wasser 5 Tage lang nicht abgelassen wurde, spülen Sie die an das Wasserleitungsnetz angeschlossene Anlage aus.
- Der Mindestzeitraum, für den zur Reparatur des Geräts erforderlichen Ersatzteile erhältlich sind, beträgt je nach Art und Zweck des Ersatzteils 7 oder 10 Jahre und entspricht der Verordnung (EU) 2019/2019 der Kommission.
- Die Ersatzteilliste und das Bestellverfahren finden Sie auf den Websites des Herstellers, des Einführers und des Vertragshändlers.
- Weitere Informationen über das Produkt bietet die EU-Produktdatenbank EPREL auf der Website <https://eprel.ec.europa.eu>. Sie finden die Informationen, indem Sie den QR-Code auf dem Energieetikett scannen oder das auf dem Energieetikett angegebene Produktmodell in die EPREL-Suchmaschine auf der Website <https://eprel.ec.europa.eu/> eingeben.

# INBETRIEBNAHME UND BETRIEBSBEDINGUNGEN DES GERÄTES

Dieser Kühlgerät ist nicht für den Einbau bestimmt.

## Vorbereitung für den ersten Betrieb

- Das Gerät auspacken. Klebebänder entfernen. Eventuell verbliebene Kleberreste können mit einem milden Reinigungsmittel beseitigt werden.
- Die aus geschäumtem Polystyrol hergestellten Verpackungsteile nicht wegwerfen. Falls sich ein erneuter Gerätetransport als notwendig erweist, ist das Gerät mit Hilfe dieser Polystyrolelemente und der Folie einzupacken und mit einem Klebeband zu sichern.
- Das Innere des Gerätes und seine Ausstattungselemente mit lauwarmem Wasser unter Zusatz eines Geschirrspülmittels abwaschen und trocknen lassen.
- Das Gerät auf einem ebenen, horizontalen und stabilen Grund in einem trockenen und belüftbaren Raum aufstellen. Nicht direkter Sonnenbestrahlung aussetzen. Nicht in der Nähe von Wärmequellen wie Herde Heizkörper, Zentralheizung oder Heisswasser-Anlagen aufstellen.
- Entfernen Sie vor Inbetriebnahme des Geräts die Schutzfolie.
- Das Gerät sollte möglichst eben aufgestellt werden – Unterschiede können dank der höhenverstellbaren Füße ausgeglichen werden (Abb. 3).
- Damit freies Öffnen der Tür sichergestellt werden kann, wurde die Entfernung zwischen der Seitenwand des Gerätes (auf der Seite der Scharniere) und der Raumwand in der Abbildung 5 dargestellt.\*
- Der Aufstellungsraum muss stets gut belüftet sein. (Abb. 6).\*

## Mindestabstände zu Wärmequellen

- zu Elektro- oder Gasherde u.ä. : 3 cm,
- zu Öl- oder Kohlebeistellherde : 30 cm,
- zu Einbaubacköfen - 5 cm

Wenn die oben genannten Mindestabstände nicht eingehalten werden können, muss eine geeignete Isolierplatte zur Reflexion der Wärmestrahlung verwendet werden.

### Achtung:

- Die hintere Kühltürwand, insbesondere der Verdampfer und die Kühlsystembaugruppe, dürfen nicht mit den Rohren der Zentralheizung und eines Abflusssystems in Berührung kommen.
- Eine Manipulation des Kältemittelkreislaufs ist verboten.. Es ist darauf zu achten, dass das Kapillarrohr, das sich im Hohlraum der Kältemaschine befindet, nicht beschädigt wird. Dieses Rohr darf weder gebogen noch geknickt werden.
- Falls der Benutzer das Kapillarrohr beschädigt, verliert er seine Garantieansprüche. (Abb. 8).

- Der Türgriff befindet sich bei einigen Modellen im Innern des Geräts und muss noch montiert werden.

## Elektrischer Anschluss

- Vor Inbetriebnahme des Geräts stellen Sie die Temperaturregelung auf „OFF“ oder in eine Position, die das Gerät vom Stromnetz trennt (s. Steuerungsbeschreibung)
- Das Gerät ist an eine 230V / 50 Hz Wechselstromleitung über eine vorschriftsmäßig installierte, geerdete und durch eine 10A –Sicherung geschützte Steckdose anzuschließen.
- Das Gerät erfüllt die VDE – Norm. Der Hersteller lehnt jede Haftung für eventuell entstandene Schäden ab, deren Ursachen auf das Nichtbefolgen dieser Vorschrift zurückzuführen sind.
- Keine Adapter, Mehrfachstecker oder zweiadrige Verlängerungskabel ohne Nullleiter verwenden. Sollte ein Verlängerungskabel nötig sein, muss es der VDE/GS – Norm entsprechen.
- Verlängerungsschnur verwendet wird, muss sich die Steckdose in einem sicheren Abstand zu Amaturen mit fließendem Wasser befinden.
- Die Daten auf dem Typenschild, das im Inneren des Kühlschranks angebracht ist, sind unbedingt zu beachten\*\*.

## Gerät vom Stromnetz trennen

Das Gerät muss problemlos vom Stromnetz zu trennen sein, indem man den Stecker herauszieht oder den zweipoligen Schalter betätigt. (Abb. 9).

## KLIMAKLASSE

Die Information über die Klimaklasse des Gerätes befindet sich auf dem Typenschild. Sie zeigt, in welcher Umgebungstemperatur (d.h. Temperatur des Raumes, in dem das Gerät betrieben wird) das Gerät optimal funktioniert.

Klimaklasse		Zulässige Umgebungstemperatur
SN	subnormal	Das Kühlgerät ist für Umgebungstemperaturen von 10 °C bis 32 °C geeignet.
N	normal	Das Kühlgerät ist für Umgebungstemperaturen von 16 °C bis 32 °C geeignet.
ST	subtropisch	Das Kühlgerät ist für Umgebungstemperaturen von 16 °C bis 38 °C geeignet.
T	tropisch	Das Kühlgerät ist für Umgebungstemperaturen von 16 °C bis 43 °C geeignet.

\* Gilt nicht für Einbau-Geräte  
 \*\* Modell abhängig

# AUSPACKEN



Das Gerät wird gegen Transportschäden geschützt. Nach dem Auspacken sind die Verpackungsmaterialien so zu entsorgen, dass dadurch kein Risiko für die Umwelt entsteht.

Alle Materialien, die zur Verpackung verwendet werden, sind umweltverträglich, können hundertprozentig wiederverwertet werden und sind mit entsprechendem Symbol gekennzeichnet.

Hinweis! Die Verpackungsmaterialien (Polyethylenbeutel, Styroporstücke usw.) sind beim Auspacken außer Kinderreichweite zu halten.



# ENTSORGUNG VON ALTGERÄTEN



Dieses Gerät wurde gemäß der Europäischen Richtlinie 2012/19/EG. Eine solche Kennzeichnung informiert darüber, dass dieses Gerät nach dem Ablauf des Nutzungszeitraumes nicht zusammen mit anderen Hausabfällen gelagert werden darf.

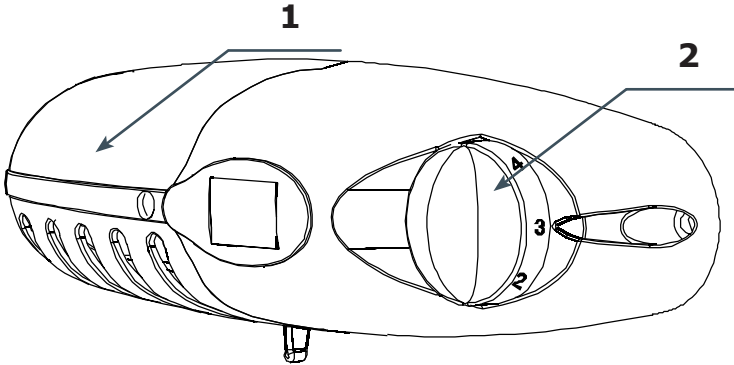
Der Benutzer ist verpflichtet, das Gerät an einem Sammelpunkt für verschlissene elektrische und elektronische Geräte abzugeben. Die die Sammlung durchführenden Einheiten, darunter lokale Sammelpunkte, Geschäfte und gemeindeeigene Einheiten, bilden ein entsprechendes System, welches die Abgabe dieses Gerätes ermöglicht.

Die richtige Vorgehensweise mit Elektro- und Elektronikschrott trägt zur Verhinderung schädlicher Folgen für die menschliche Gesundheit und die natürliche Umwelt bei, die aus der Anwesenheit von Schadstoffen sowie einer falschen Lagerung und Weiterverarbeitung solcher Materialien folgen.

# STEUERUNG

## Steuerung des Gerätes

Das Bedienfeld der Dunstabzugshaube wurde auf der Abbildung Nr. 10 dargestellt und zur Erinnerung gibt es dieses auch nachstehend:



- 1 - Lichtquellen  
2 - Thermostat

## Einstellung der Temperatur im Gerät

Durch die Änderung der Position des Drehreglers erfolgt die Änderung der Temperatur im Gerät:

Position OFF/0 Das Gerät ist ausgeschaltet.

Position 1 Im Gerät herrscht die höchste Temperatur (im Inneren ist es wärmer)

Positionen 2-6 Im Gerät herrscht eine mittlere Temperatur.

Position 7 Im Gerät herrscht die niedrigste Temperatur (im Inneren ist es kälter)

### Achtung:

- Der Drehregler des Thermostats in Ihrem Gerät kann anders skaliert werden, als es nachfolgend dargestellt wurde. Das allgemeine Funktionsprinzip wurde vorstehend geschildert.
- Ist die Position „OFF“ oder „0“ in Ihrem Gerät nicht vorhanden, ist die Ausschaltung des Gerätes durch Trennen des Gerätes von der Stromversorgung (Ziehen des Steckers) möglich. Vor Abschalten den niedrigsten Wert im Thermostat einstellen.

## Weitere Informationen zur Temperatur

- Die Temperatur im Gerät wird von vielen Faktoren abhängig. Die Stellung des Drehreglers ist unter anderem von der Umgebungstemperatur, Grad der Sonneneinwirkung, Häufigkeit des Öffnens der Tür und des Gerätes, Menge der Lebensmittel abhängig. In den meisten Fällen ist die Stellung der Drehreglers in der Mitte optimal.
- Den Kühl- und Gefrierraum frühestens 4 Stunden nach Inbetriebnahme des Gerätes füllen.
- Eine manuelle Änderung der Innentemperatur auf Grund der Jahreszeit ist nicht nötig. Die Erhöhung der Umgebungstemperatur wird durch den Temperaturfühler erkannt, was eine automatische Inbetriebnahme des Verdichters auslöst und damit die Betriebstemperatur langfristig stabil hält.
- Geringe Temperaturschwankungen sind eine normale Erscheinung die beispielsweise durch die Einlagerung vieler frischer Lebensmittel oder zu langes Öffnen der Tür auftreten können. Der eingestellte Temperaturwert wird üblicherweise schnell wieder erreicht.

# BELEUCHTUNG

Dieser Abschnitt gilt für Geräte, die werkseitig mit Glühlampen ausgestattet sind und für ausgewählte Geräte, die mit LED-Leuchten in Form eines Leuchtmittels mit dem E14-Gewinde ausgestattet sind.

## Wechsel der Beleuchtung

- Den Drehregler auf „OFF“ stellen und anschließend den Stecker aus der Steckdose ziehen.
- Die Abdeckung der Leuchte ausbauen und herausnehmen (Abb. 18).
- Die Leuchte durch eine funktionierende Leuchte mit identischen Parametern wie die werkseitig im Gerät eingesetzte Leuchte ersetzen (220-240V, max. 10W, Gewinde E14, maximale Größe der Leuchte: Innendurchmesser - 26 mm, Länge - 55 mm).
- Die Abdeckung wieder einsetzen.
- Keine Leuchten mit höherer oder niedrigerer Leistung einsetzen, geeignet sind nur Leuchten mit den vorstehend angegebenen Parametern.

### Achtung:

- Das eingesetzte Leuchtmittel ist für die Beleuchtung von Räumen nicht geeignet.
- Ist in der Bedienungsanleitung die Zeichnung Nr. 18 nicht vorhanden, kann der Wechsel der Beleuchtung durch einen qualifizierten Servicetechniker erfolgen.

# BEDIENUNG UND FUNKTIONEN

## Aufbewahren der Lebensmittel im Kühl- und Gefrierraum

- Die Lebensmittel sollten auf Tellern, in Behältern oder in für Lebensmittel bestimmte Folie verpackt aufbewahrt werden. Sie sind gleichmäßig auf den Abstellflächen zu verteilen.
- Es ist zu beachten, dass die Lebensmittel die hintere Kühlraumwand nicht berühren, da es sonst zur Reif- oder Feuchtigkeitsbildung auf dem Gefriergut kommen kann.
- Keine heißen Speisen in den Kühlschrank legen.
- Lebensmittel, die leicht fremde Gerüchen annehmen, und solche mit einem starken Eigengeruch sind in den Kühlfächern in Folienverpackung oder festverschliessbaren Gefäßen aufzubewahren.
- Gemüse mit einem hohen Wassergehalt kann die Freisetzung von Wasserdampf verursachen, der jedoch die Kühlfunktion nicht beeinträchtigt.
- Vor dem Einlegen in den Kühlraum muss das Gemüse gut abgetrocknet werden.
- Ein übermäßiger Wassergehalt im Kühlgut (Blattgemüse) verkürzt die Aufbewahrungszeit.
- Vor dem Einlegen in den Kühlraum darf das Gemüse nicht gewaschen werden, da das Waschen einen natürlichen Schutz beseitigt. Deswegen empfiehlt es sich, das Gemüse erst vor dem Verzehr zu waschen.
- Die Produkte sind in die Körbe 1, 2 und 3\* zu legen, bis die natürliche Befüllungsgrenze erreicht ist (Abb. 11a / 11b).\*\*

1. Verpackte Produkte
2. Flaschenablage
3. Natürliche Befüllungsgrenze
4. ❌❌❌

- Die Lagerung von Produkten in den Drahtfächern des Kühlschranks-Verdampfers ist zulässig.\*
- Produkte in den einzelnen Fächern dürfen 2 – 3 cm über der Befüllungsgrenze gelagert werden.\*\*
- Um mehr Lagerungsraum im Gefrierfach zu erhalten, kann man die Schubfächer 1 und 2 entfernen und die Produkte in die Metallregale des Verdampfers legen.\*

## Tiefkühlung der Lebensmittel\*\*

- Fast alle Lebensmittel eignen sich zum Einfrieren, ausgenommen roh zu verzehrendes Gemüse, z.B. Blattsalat.
- Nur hochqualitative Lebensmittel sind zum Einfrieren geeignet. Das Gefriergut sollte kleinportioniert sein.
- Lebensmittel sind in geruchfreies, luft- und feuchtigkeitsdichtes, sowie fett- und laugenunempfindliches Material zu verpacken. Polyethylen- und Aluminiumfolie sind am besten geeignet.
- Die Verpackung muss dicht sein und an dem Gefriergut fest anliegen. Glasbehälter sind nicht zu verwenden.
- Es wird empfohlen, bereits eingefrorene Produkte so zu lagern, dass sie mit den einzufrierenden, frischen Lebensmitteln keine Berührung haben.

- Es wird empfohlen, die Menge der zum Einfrieren vorgesehenen Frischprodukte entsprechend der technischen Gegebenheiten des Geräts (s. Tabelle) zu berechnen.
- Wir empfehlen, die gefrorenen Portionen auf eine Seite der Gefrierkammer zu schieben und die frischen Portionen auf die andere Seite zu legen.
- Zum Einfrieren der Produkte den mit diesen Zeichen markierten Raum **❄️❄️❄️** benutzen.
- Die Temperatur im Gefrierraum ist von folgenden Faktoren abhängig: Aussentemperatur, Befüllung des Kühlschranks, häufiges Türenöffnen, Menge des abgelagerten Reifbeschlags und die Einstellung des Thermostaten.
- Lässt sich die Tür nicht sofort nach dem Schliessen wieder öffnen, empfiehlt es sich, 1 bis 2 Minuten zu warten, bis sich der entstandene Unterdruck ausgeglichen hat.

Die Aufbewahrungszeit der tiefgekühlten Produkte ist von ihrer Qualität sowie der Aufbewahrungstemperatur abhängig. Bei einer Temperatur von -18°C oder niedriger sollte folgende Aufbewahrungsdauer eingehalten werden:

Produkte	Monate
Rindfleisch	6-8
Kalbsfleisch	3-6
Innereien	1-2
Schweinefleisch	3-6
Geflügel	6-8
Eier	3-6
Fisch	3-6
Gemüse	10-12
Obst	10-12

Das Schnellgefrierfach ist fürs Aufbewahren tiefgefrorener Lebensmittel nicht geeignet. In diesem Fach können Eiswürfel hergestellt und aufbewahrt werden.

Hinweis: Wenn das Gerät kein Gefrierfach **❄️❄️❄️** besitzt, bedeutet das, dass der Kühlschrank nicht zum Einfrieren von Lebensmitteln geeignet ist.

\* Gilt für Geräte mit einem Gefrierfach im unteren Bereich des Gerätes.

\*\* Gilt für Geräte mit einem Gefrierfach **❄️❄️❄️**

\*\*\* Gilt nicht für Geräte mit einem Gefrierfach gekennzeichnet mit **❄️❄️❄️**

# ENERGIESPARENDE NUTZUNG DES KÜHLSCHRANKS

## Praktische Ratschläge

- Tiefkühltruhe nicht in der Nähe von Heizkörpern oder Backöfen aufstellen und nicht direkter Sonneneinstrahlung aussetzen.
- Sicherstellen, dass die Belüftungsöffnungen nicht verdeckt sind. Ein- bis zweimal pro Jahr sind die Belüftungsöffnungen von Staub zu reinigen.
- Die richtige Temperatur einstellen: Eine Temperatur von 6 bis 8°C im Kühlschrank und -18°C im Tiefkühlfach sind ausreichend.
- Bei längerer Abwesenheit, z.B. im Urlaub, ist die Temperatur im Kühlschrank zu erhöhen.
- Ein unnötiges Öffnen der Tür des Kühl- oder Tiefkühlschranks ist zu vermeiden. Unverbrauchte Produkte sind so schnell wie möglich wieder in den Kühl- oder Tiefkühlschrank zurückzulegen, bevor sie sich erwärmen.
- Das Innere des Kühlschranks ist regelmäßig mit einem in Reinigungsmittel getränkten Lappen auszuwischen. Geräte ohne automatische Abtaufunktion müssen regelmäßig abgetaut werden. Die Entstehung einer Eisschicht von mehr als 10 mm muss vermieden werden.
- Die Türdichtung ist sauber zu halten, ansonsten schließt die Tür nicht vollständig. Eine beschädigte Dichtung muss ausgewechselt werden.

## Was bedeuten die Sterne?



Bei einer Temperatur von -6°C können tiefgegekühlte Lebensmittel ungefähr eine Woche lang aufbewahrt werden. Mit einem Stern gekennzeichnete Schubladen oder Fächer sind (meistens) in preiswerteren Noname-Kühlschränken zu finden.



Bei einer Temperatur von -12°C können Lebensmittel für 1-2 Wochen ohne Geschmacksverlust gelagert werden. Diese Temperatur ist jedoch für das Einfrieren von Lebensmitteln nicht ausreichend.



Zum Einfrieren von Lebensmitteln werden hauptsächlich Temperaturen unter -18°C verwendet. Dies ermöglicht das Einfrieren von frischen Lebensmitteln mit einem Gewicht bis zu 1 kg.



So gekennzeichnete Geräte ermöglichen die Aufbewahrung von Lebensmitteln bei einer Temperatur von unter -18°C und das Einfrieren größerer Mengen an Lebensmitteln.

## Zonen im Kühlschrank

Aufgrund der natürlichen Luftzirkulation entstehen im Kühlschrank unterschiedliche Temperaturzonen.

- Der kälteste Bereich befindet sich direkt oberhalb der Gemüsefächer. In dieser Zone sind empfindliche und leicht verderbliche Lebensmittel aufzubewahren, wie:
  - Fisch, Fleisch, Geflügel
  - Aufschnitt, Fertiggerichte
  - ei- oder sahnehaltige Gerichte
  - frischer Kuchen, verschiedene Kuchen- sorten,
  - verpacktes Gemüse und andere frische Lebensmittel, deren Etikett eine Lage- rung bei einer Temperatur von ca. 4°C vorschreibt.
- Im oberen Teil der Tür herrscht die höchste Temperatur. Hier sollte am besten Butter und Käse aufbewahrt werden.

## Produkte, die nicht im Kühlschrank aufbewahrt werden sollten.

- Nicht alle Produkte eignen sich zur Aufbewahrung im Kühlschrank. Zu ihnen gehören:
  - Gegen tiefe Temperaturen empfindliches Obst und Gemüse, wie zum Beispiel Bananen, Avocados, Papayas, Maracujas, Zucchini, Paprika, Tomaten und Gurken.
  - Unreife Früchte
  - Kartoffeln.

Achtung:

Beispiel für die Lagerung von Lebensmitteln im Gerät (Abb. 12)

Damit sich die Lebensmittel so gut und so lange wie möglich halten und nicht verderben, sollten sie wie in Abb. 12 gezeigt im Kühlschrank untergebracht werden. Die Abbildung zeigt außerdem die beste Anordnung der Schubladen, Körbe und Fachböden im Hinblick auf einen möglichst effektiven Energieverbrauch des Geräts.

Durch die Aufbewahrung der Lebensmittel bei geeigneten Bedingungen und Temperaturen halten sich die Lebensmittel länger, und der Stromverbrauch wird optimiert. Auf den Verpackungen oder Etiketten der Lebensmittel ist normalerweise angegeben, bei welchen Temperaturen sie aufbewahrt werden sollten.

# ABTAUEN, REINIGEN UND PFLEGEN

Zum Reinigen des Gehäuses und der Kunststoffteile des Erzeugnisses keine Lösungsmittel sowie scharfe und Scheuerreinigungsmittel anwenden (z.B. Reinigungsmittel- bzw. -milch)! Nur delikate flüssige Mittel und weiche Tücher verwenden. Keine Schwämme verwenden.

## Abtauen des Kühlraumes\*\*\*

- An der hinteren Kühl- raumwand lagert sich Reif ab, der automatisch abgetaut wird. Beim Abtauen können mit den Kondensattropfen auch Verunreinigungen in die Trichteröffnung der Rinne gelangen und dadurch die Ablassöffnung verstopfen. Um dies zu verhindern, sollte diese mit Hilfe des mitgelieferten Reinigungsinstruments vorsichtig durchstochen werden (Abb.13)
- Das Gerät arbeitet zyklisch: Während des Kühlprozesses lagert sich an der hinteren Wand ein Reifbeschlag ab. Dieser wird abgetaut, das Wasser sammelt sich in der Auffangvorrichtung.
- Vor dem Reinigen sollte das Gerät durch das Herausziehen des Steckers aus der Steckdose, durch das Ausschalten oder durch das Herausnehmen der Sicherung vom Stromnetz getrennt werden. Nicht zulassen, dass das Wasser in die Bedien- blende oder Beleuchtung gelangt.
- Wir empfehlen, keine Auftaumittel in Sprayform zu verwenden. Sie können die Entstehung von explosiven Aerosolen verursachen. Lösungsmittel, die die Plastikteile des Gerätes schädigen, enthalten oft auch gesundheitsgefährdende Substanzen.
- Kein Reinigungswasser darf durch die Ablassöffnung in den Abdampfbehälter gelangen.
- Das gesamte Gerät, ausgenommen die Türdichtung, sollte mit einem milden Reinigungsmittel gereinigt werden. Die Türdichtung nur mit klarem Wasser abwischen und trocknen lassen.
- Alle Ausstattungselemente sollen sorgfältig gereinigt werden (Obst- und Gemüsefach, Türfächer, Glasplatten, usw.).

## Abtauen des Gefrierraumes\*\*

- Es wird empfohlen, das Gerät regelmäßig abzutauen und zu reinigen.
- Eisablagerungen an den Gefrierflächen vermindern die Effizienz des Gerätes und bewirken eine Steigerung des Energieverbrauchs.
- Es empfiehlt sich, das Gefriergerät mindestens ein- oder zweimal im Jahr abzutauen. Sollte sich mehr Eis bilden, sollte man das Auftauen öfter durchführen.
- Befinden sich Lebensmittel im Gefrierraum, so ist der Temperaturregler 4 Stunden vor dem geplanten Abtauen auf „max.“ zu stellen. Dadurch wird die Aufbewahrung des Gefrierguts bei Raumtemperatur während einer längeren Zeit möglich.
- Das Gefriergut aus dem Gefrierraum herausnehmen, in eine Schüssel legen, mit einigen Schichten Zeitungspapier und einer Woldecke umwickeln und an einer kühlen Stelle aufbewahren.
- Das Abtauen sollte möglichst schnell erfolgen. Wenn die Lebensmittel über einen längeren Zeitraum bei Raumtemperatur aufbewahrt werden, verkürzt sich ihre Haltbarkeit



## **Abtauendes Gefriertraumes:\*\***

- Schalten Sie das Gerät mit dem Steuerungspaneel ab und anschließend ziehen Sie den Netzstecker aus der Steckdose.
- Die Tür öffnen, die Produkte herausnehmen.
- Je nach dem Modell ziehen Sie den Abflusskanal im hinteren Bereich des Kühlgerätes und stellen Sie ein Gefäß darunter.
- Lassen Sie die Tür offen, dadurch erfolgt das Auftauen schneller. In die Kammer des Gefriergerätes kann zusätzlich ein Gefäß mit heißem (aber nicht kochendem) Wasser gestellt werden.
- Das Geräte innere auswischen und trocknen lassen.
- Das Gerät gemäß entsprechendem Kapitel der Gebrauchsanweisung wieder einschalten.

## **Automatische Abtaung des Kühltraumes\*\*\***

Der Kühlraum ist mit einer automatischen Abtaufunktion ausgestattet. An der hinteren Kühlraumwand kann sich jedoch ein Reifbeslag ablagern. Es kommt vor allem vor, wenn im Kühlraum viele frische Lebensmittel aufbewahrt werden.

## **Automatische Abtaung des Gefriertraumes\*\*\*\***

Der Kühlraum ist mit einer automatischen No-Frost-Abtaufunktion ausgestattet. Die Lebensmittel werden durch die gekühlte Umluft eingefroren, die Feuchtigkeit wird aus dem Gefriertraum nach Außen abgeführt. Im Gefriertraum entsteht daher kein Eis- und Reifbeslag und die Lebensmittel frieren nicht fest.

## **Reinigen des Kühl- und Gefriertraumes\*\*\*\***

Es empfiehlt sich das Kühl- und Gefriertraum mindestens einmal im Jahr zu waschen.

Es wirkt vorbeugend gegen die Entstehung unangenehmer Gerüche sowie der Bakterien. Das Gerät durch das drücken des Knopfes „1“ ausschalten, die Lebensmittel herausnehmen und das Gerät mit einem milden Reinigungsmittel waschen und trocknen lassen.

## **Einbau und Ausbau der Abstellplatten \*\*\*\*\***

Abstellplatte herausnehmen und anschließend an der gewünschten Stelle bis zum Widerstand einschieben, so dass sich der Schnappverschluss in der Führungsleiste befindet (Abb. 15).

## **Einbau und Ausbau der Türfächer \*\*\*\*\***

Türfach anheben, herausziehen und von oben in die gewünschte Position einlegen (Abb. 16).

Auf keinen Fall dürfen im Inneren des Gefriertraumes elektrische Heizkörper, Heißluftgebläse oder Haartrockner eingesetzt werden.

\*\* Gilt für Geräte mit einem Gefrierfach .

\*\*\* Gilt nicht für Geräte mit dem Frostfrei-System

Gilt für Geräte mit einem Kühlbereich.

Gilt nicht für Geräte mit dem Frostfrei-System

\*\*\*\* Gilt für Geräte mit dem Frostfrei-System

\*\*\*\*\* Gilt nicht für Gefriergeräte

# LOKALISIERUNG VON STÖRUNGEN

<b>Störung</b>	<b>Mögliche Ursachen</b>	<b>Behebung</b>
Das Gerät funktioniert nicht	Unterbrechung im Stromkreis	<ul style="list-style-type: none"> <li>- Überprüfen, ob der Netzstecker gut in der Steckdose des Speisernetzes sitzt.</li> <li>- Überprüfen, ob das Anschlußkabel nicht beschädigt ist.</li> <li>- Durch Anschließen eines anderen elektrischen Verbrauchers (z.B. einer Nachttischlampe) überprüfen, ob die Steckdose unter Spannung steht.</li> <li>- Überprüfen Sie, ob das Gerät eingeschaltet ist (Thermostat in Betriebsstellung).</li> <li>- Vorerst den vorherigen Punkt überprüfen (das Gerät funktioniert nicht - die Glühlampe festdrehen oder auswechseln (in Geräten mit Glühlampen)</li> </ul>
Innenbeleuchtung funktioniert nicht	Die Glühlampe ist gelöst oder durchgebrannt (in Geräten mit Glühlampen)	<ul style="list-style-type: none"> <li>- einen niedrigeren Wert einstellen</li> </ul>
Das Gerät ist ununterbrochen in Betrieb	Falsche Temperatureinstellung Andere Ursachen wie unter Punkt "Die Temperatur in den Räumen ist nicht niedrig genug"	<ul style="list-style-type: none"> <li>- befolgen Sie die Anweisungen unter Punkt "Die Temperatur in den Räumen ist nicht niedrig genug"</li> </ul>
Im unterem Teil des Kühlraumes sammelt sich Wasser	Die Ablauföffnung ist verstopft (betrifft Geräte mit Entwässerungsöffnung) Eine freie Luftzirkulation im Kühlraum ist nicht möglich	<ul style="list-style-type: none"> <li>- Mit Hilfe des Räumwerkstruments die Ablauföffnung durchstechen (siehe Gebrauchsanweisung, Kapite</li> <li>- Die Lebensmittel und Behälter von der Hinterwand wegrücken.</li> </ul>
Es treten für das Gerät ungewöhnliche Geräusche auf	Das Gerät ist nicht eben ausgerichtet Das Gerät kommt mit Möbeln oder anderen Gegenständen in Berührung	<ul style="list-style-type: none"> <li>- Das Gerät ausrichten.</li> <li>- Das Gerät frei aufstellen, so daß es keine andere Gegenstände berührt.</li> </ul>

<b>Störung</b>	<b>Mögliche Ursachen</b>	<b>Behebung</b>
Die Temperatur in den Räumlichkeiten ist nicht niedrig genug	Falsche Temperatur-einstellung	-Einen höheren Wert einstellen
	Höhere oder niedrigere Umgebungstemperatur als in den technischen Daten (s.Tabelle) angegeben	- Das Gerät ist angepasst an die Temperatur, die in den technischen Daten (s.Tabelle) angegeben ist
	Das Gerät steht an einer direkt von der Sonne bestrahlten Stelle oder neben einer Wärmequelle	- Das Gerät an einer anderen Stelle gemäß Gebrauchsanweisung aufstellen. - Warten Sie bis zu 72 Stunden , bis die Lebensmittel eingefroren sind und die erwünschte Temperatur im Kühlraum erreicht ist.
	Es wurde eine zu große Menge von warmen Lebensmitteln auf einmal eingelagert	- Die Lebensmittel und Behälter von der Hinterwand abrücken
	Keine freie Luftzirkulation im Kühlraum	- Das Gerät mindestens 3 cm von der Wand wegrücken.
	Der Luftfluß hinter dem Gerät ist blockiert	Beides muss unbedingt vermieden werden
	Die Kühlraum-/ Gefrier-raumtür wird zu oft geöffnet und/oder bleibt zu lange offen	Die Lebensmittel und Behälter anders platzieren - prüfen, ob die Umgebungstemperatur nicht niedriger ist als der Klimaklasse des Gerätes entspricht
	Die Tür lässt sich nicht schließen	- Die Türdichtung einpressen
Der Verdichter schaltet selten an		
Die Türdichtung wurde falsch angebracht		

Beim normalen Betreiben der Kälteanlagen können Geräusche unterschiedlicher Art auftreten, die keinen Einfluss auf den Betrieb des Kühlschranks haben.

Geräusche, die leicht zu beheben sind:

- Lautes Betriebsgeräusch , wenn der Kühlschrank nicht senkrecht steht – Stellung durch die Stellschrauben vorne verändern. Eventuell unter die Rollen hinten weichen Stoff legen, vor allem, wenn das Gerät auf einem Fliesenboden steht.
- Reibung an benachbarte Möbel – Kühlschrank abrücken, so dass er frei steht.
- Quietschen von Fächern und Schubladen – Fach oder Schublade herausnehmen und wieder einschieben.
- Geräusche von sich berührenden Flaschen – Flaschen voneinander verschieben.

Geräusche, die bei normalem Betrieb zu hören sind, entstehen durch den Thermostaten, wenn sich der Kompressor einschaltet, sich das Kühlsystem zusammenzieht oder ausdehnt und wenn Temperaturschwankungen aufgrund des Durchflusses von Kühlmittel in den Röhren entstehen.

# GARANTIE, NACHVERKAUF-SERVICE

## Garantie

Garantieleistungen laut Garantieschein. Der Hersteller übernimmt keine Haftung für Schäden, die durch den unsachgemäßen Betrieb des Produkts entstanden sind.

## Wartung

- Der Hersteller empfiehlt, jegliche Reparaturen und Einstellarbeiten von einem Werksservice oder vom Hersteller autorisierten Kundendienst durchführen zu lassen. Aus Sicherheitsgründen sollten Sie das Gerät nicht selbst reparieren.
- Von Personen ohne die erforderlichen Qualifikationen durchgeführte Reparaturen können für den Gerätebenutzer eine ernste Gefahr verursachen.
- Die vom Hersteller, Einführer oder Vertragshändler gewährte Mindestgarantiezeit für das Gerät ist im Garantieschein angegeben.
- Im Fall unbefugter Anpassungen, Änderungen, der Verletzung von Plomben oder anderer Sicherheitsvorrichtungen des Geräts oder Teilen davon, sowie im Fall sonstiger unbefugter Manipulationen am Gerät, die nicht der Bedienungsanleitung entsprechen, verfällt die Garantie für das Gerät.

## Reparaturmeldungen und Hilfe bei Fehlern


Wenn das Gerät repariert werden muss, wenden Sie sich bitte an den Kundendienst. Die Adresse und Rufnummer des Kundendienstes sind im Garantieschein angegeben. Halten Sie, wenn Sie den Kundendienst anrufen, bitte die Seriennummer des Geräts bereit. Diese befindet sich auf dem Typenschild. Notieren Sie sich die Seriennummer der Einfachheit halber am besten hier:

--	--	--	--	--	--	--	--	--	--	--	--	--	--	--	--	--	--	--	--	--

### CE-Konformitätserklärung

Der Hersteller dieses Produktes erklärt hiermit in alleiniger Verantwortung, dass dieses Produkt den einschlägigen, grundlegenden Anforderungen der nachfolgenden EU-Richtlinien entspricht:

- **Niederspannungsrichtlinie 2014/35/EG**
- **Elektromagnetische Verträglichkeit 2014/30/EG**
- **ErP – Richtlinie 2009/125/EG**
- **Richtlinie RoHS 2011/65/EG**

Das Gerät ist mit dem  Zeichen gekennzeichnet und verfügt über eine Konformitätserklärung zur Einsichtnahme durch die zuständigen Marktüberwachungsbehörden.

# Vážený kliente,

počínaje dnešním dnem jsou každodenní povinnosti jednodušší než kdykoli jindy. Zařízení **Amica** je spojením výjimečně snadné obsluhy a vynikající efektivity. Po přečtení návodu nebudete mít problém s obsluhou.

Zařízení, které opustilo továrnu, bylo důkladně zkontrolováno před zabalením z hlediska bezpečnosti a funkčnosti na kontrolních stanovištích.

Před uvedením zařízení do provozu si pozorně přečtěte návod k obsluze. Dodržováním pokynů uvedených v návodu předejdete nesprávnému používání. Návod si ponechte a uschovejte tak, abyste jej měli vždy při ruce.

**Dodržujte přesně návod k obsluze, abyste zabránili nešťastným událostem.**

S úctou

## **Amica**

# POKYNY TÝKAJÍCÍ SE BEZPEČNOSTI POUŽÍVÁNÍ

- Příklad je určen výhradně pro domácí použití.
- Výrobce si vyhrazuje možnost provádění změn neovlivňujících fungování spotřebiče.
- Některé zápisy v tomto návodu jsou sjednocené pro chladicí spotřebiče různých typů, (pro chladničky, chladničky/mrazničky anebo mrazničky. Informace na téma druhu Vašeho spotřebiče se nachází v Technickém listu připojenému k výrobku.
- Výrobce nenese odpovědnost za škody vzniklé nedodržením zásad obsažených v tomto návodu.
- Prosíme o uschování tohoto návodu za účelem jeho využití v budoucnu nebo předání eventuálnímu dalšímu uživateli.
- Tento spotřebič není určen k používání osobami (včetně dětí) s omezenou schopností fyzickou, citovou nebo psychickou a také osobami, které jsou nezkušené a neznalé spotřebiče, ledaže to probíhá pod dohledem nebo podle návodu k obsluze spotřebiče, poskytnutého osobami odpovídajícími za jejich bezpečnost.
- Je třeba věnovat zvláštní pozornost tomu, aby spotřebič nepoužívaly děti ponechané bez dohledu. Je třeba jim zakázat hrát si se spotřebičem. Není jim dovoleno sedat si na výsuvné součásti a zavěšovat se na dveře.
- Chladnička-mraznička funguje správně v okolní teplotě, která je uvedena v tabulce s technickou specifikací. Nepoužívejte ji ve sklepě, síni, a v neohřívané chatě na podzim i v zimě.
- Během umístování, přesouvání, zvedání se nemá chytat za madla dveří, tahat za odpařovací kondenzátor na zadní straně chladničky a také dotýkat kompresorové jednotky.

- Chladnička s mrazničkou se nemá naklánět v úhlu nad 40° od středové osy během přepravy, přenášení nebo umístování. Pokud vznikla taková situace, spotřebič se může zapnout po uplynutí minimálně 2 hodin od jeho umístění (obr. 2).
- Před každou údržbovou činností je třeba vytáhnout zástrčku ze síťové zásuvky. Nemá se tahat za kabel, ale chytat za kostru zástrčky.
- Slyšitelné zvuky jako bublání nebo praskání jsou způsobeny roztahováním a smršťováním součástí v důsledku teplotních změn.
- S ohledem na bezpečnost se spotřebič nemá opravovat svépomocí. Opravy prováděné osobami, které nemají požadované kvalifikace, mohou vytvořit vážné nebezpečí pro uživatele spotřebiče.
- V případě poškození chladicího okruhu je třeba na několik minut vyvětrat místnost, ve které se nachází spotřebič (tato místnost musí mít alespoň 4m<sup>3</sup>; pro spotřebič s izobutanem /R600a).
- Výrobky, i když jen částečně rozmrazené, nelze znovu zmrazovat.
- Nápoje v lahvích a plechovkách, zejména nápoje sycené oxidem uhličitým, se nemají uchovávat v mrazicím prostoru mrazničky. Plechovky a lahve mohou popraskat.
- Nemají se dávat do úst zmrazené výrobky ihned po vyjmutí z mrazničky (zmrzlina, kostky ledu, atp.), jejich nízká teplota může způsobit bolestivé omrzliny.
- Je třeba dávat pozor, aby nedošlo k poškození chladicího okruhu, např. napíchnutí kanálků kondenzátu na výparníku, zalomení trubek. Vstříkované chladicí médium je hořlavé. V případě vniknutí do očí je třeba vypláchnout je vodou a ihned přivolat lékaře.
- Jestliže bude napájecí vodič poškozený, musí být vyměněný v specializovaném opravářském podniku.

- Spotřebič slouží k přechovávání potravin, nepoužívejte ho k jiným účelům.
- Spotřebič úplně odpojte od napájení (vytáhnutím zástrčky ze síťové zásuvky) v případě provádění takových činností, jakými jsou čištění, údržba anebo změna místa ustavení
- To zařízení může být používáno dětmi ve věku 8 let a staršími, osoby s omezenými fyzickými anebo mentálními schopnostmi, jak rovněž osoby bez zkušenosti a bez znalosti zařízení mohou konvici používat, pokud jsou dozorované anebo byly instruované ohledně obsluhy zařízení bezpečným způsobem a znají ohrožení spojené s používáním zařízení. Děti si nemohou se zařízením hrát. Čištění a konzervace zařízení nemůže být vykonávána dětmi, ledaže skončily 8 let a mají dohled zodpovědné osoby.
- Pro získání více místa v mrazničce, je možné z ní vyjmout zásuvky a umísťovat produkty bezprostředně na policích. Neovlivňuje to termickou a mechanickou charakteristiku výrobku. Určený obsah mrazničky byl vypočítaný s vyjmutými zásuvkami.



**VÝSTRAHA:** Nebezpečí požáru / hořlavé materiály

- Děti ve věku od 3 do 8 let mohou vkládat a vykládat produkty s chladicího zařízení.

Aby nedošlo ke kontaminaci potravin je nutné dodržovat následující pravidla:

- Otevírání dveří na delší dobu, může způsobit značné zvýšení teploty v prostorách zařízení.
- Pravidelné čištění povrchů, které přicházejí do styku s potravinami a v závislosti na přítomnosti dostupné odvodňovací instalace.
- Uchovávat syrové maso a ryby ve vhodných nádobách v lednici, aby nepřišly do styku s ostatními



mi potravinami a nekapalo z nich na jiné potraviny.

- Dvuhvězdičkové prostostory, mrazničky slouží k uchovávání dříve zmražených potravin, přechovávání nebo mražení zmrzliny anebo mražení kostek ledu.
- Jednohvězdičkové, dvuhvězdičkové a tříhvězdičkové prostory, neslouží k mražení čerstvých potravin.

	Druhy prostorů	Koncová teplota uchovávání [°C]	Vhodné potraviny
1	Chladnička	+2≤+8	Vajíčka, vařené potraviny, zabalené potraviny, ovoce a zelenina, mléčné výrobky, moučníky, nápoje a jiné produkty, které nejsou vhodné k mražení.
2	Mraznička ✱ ** *	≤-18	Mořské plody (ryby, krevety, měkkýše), sladkovodní produkty a masné výrobky (doporučeno 3 měsíce, čím delší doba uskladnění, tím méně chutný a výživný bude produkt), vhodné na mražené čerstvé produkty.
3	Mraznička ( ** *)	≤-18	Mořské plody (ryby, krevety, měkkýše), sladkovodní produkty a masné výrobky (doporučeno 3 měsíce, čím delší doba uskladnění, tím méně chutný a výživný bude produkt), nevhodné na mražené čerstvé produkty.
4	Mraznička	≤-12	Mořské plody (ryby, krevety, měkkýše), sladkovodní produkty a masné výrobky (doporučeno 2 měsíce, čím delší doba uskladnění, tím méně chutný a výživný bude produkt), nevhodné na mražené čerstvé produkty.
5	Mraznička ( ✱ )	≤-6	Mořské plody (ryby, krevety, měkkýše), sladkovodní produkty a masné výrobky (doporučeno 1 měsíc, čím delší doba uskladnění, tím méně chutný a výživný bude produkt), nevhodné na mražené čerstvé produkty.
6	Bezhvězdičkový prostor	-6≤0	Čerstvé vepřové maso, hovězí maso, ryby, kuřecí maso, některé balené zpracované produkty, atd. (doporučená spotřeba, ve stejný den, nejlépe nejpozději do maximálně 3 dnů). Částečně balené a zpracované produkty (produkty, které nejsou vhodné k mražení)

7	Chladicí prostor	2≤+3	Čerstvé/mražené vepřové maso, hovězí maso, kuřecí maso, sladkovodní produkty, atd. (7 dnů pod 0°C, nad 0°C doporučena je spotřeba toho samého dne, nejlépe maximálně v průběhu 2 dnů). Mořské plody (pod 0°C po dobu 15 dní, nedoporučuje se uchovávat v teplotě nad 0°C)
8	Prostor k uchování čerstvých potravin	0≤+4	Čerstvé vepřové maso, hovězí maso, ryby, kuřecí maso, vařené produkty, atd. (doporučena spotřeba, ve stejný den, nejlépe nejpozději do maximálně 3 dnů).
9	Prostor k uchování vína	+5≤+20	Červené, bílé, perlivé víno atd.

- **Upozornění:** je nutné uchovávat produkty shodně s doporučením pro prostory, nebo dle teploty uchovávání produktů.
- Pokud chladicí zařízení nebude využíváno a bude prázdné po delší dobu, je nutno ho vypnout, rozmrazit, umýt, vysušit a ponechat s otevřenými dveřmi, aby předejít plísním uvnitř zařízení.
- Čištění dávkovače vody (pro produkty s dávkovačem vody): Vyčistit nádoby na vodu pokud nebyly používány přes 48 hodin; pokud voda nebyla vypuštěna přes 5 dní, opláchnout vodní instalace připojenou k vodovodní síti.
- Minimální období, v němž jsou dostupné náhradní díly potřebné na opravu spotřebiče, činí 7 nebo 10 let podle druhu a určení náhradního dílu a je v souladu s Nařízením komise (EU) 2019/2019.
- Seznam náhradních dílů a procedura objednávání jsou k dispozici na webových stránkách výrobce, dovozce nebo oprávněného zástupce.
- Další informace o výrobku se nacházejí v unijní databázi výrobků EPREL na adrese <https://eprel.ec.europa.eu>. Informace lze získat načtením QR kódu z energetického štítku nebo zadáním modelu výrobku z energetického štítku do vyhledávače EPREL <https://eprel.ec.europa.eu/>

# INSTALACE A PROVOZNÍ PODMÍNKY SPOTŘEBIČE

Toto chladicí zařízení není určeno k provozu jako vestavné.

## Instalace před prvním spuštěním

- Výrobek je třeba rozbalit, odstranit lepicí pásky zajišťující dveře a vybavení. Eventuální zbytky lepidla je možno odstranit jemným čisticím prostředkem.
- Polystyrénové části obalu se nemají vyhazovat. V nutném případě opětovného převozu je třeba chladničku s mrazničkou zabalit do částipolystyrénu a fólie a také zajistit lepicí páskou.
- Vnitřní prostor spotřebiče a také součásti vybavení je třeba vymýt vlažnou vodou s přísadkou.
- Chladničku s mrazničkou je třeba umístit na rovný, vodorovný a stabilní podklad, do suché, větrané místnosti, kde nesvítí slunce, v pozadí od tepelných zdrojů takových jako kuchyň, radiátor ústředního topení, trubka ústředního topení, rozvod teplé vody atp.
- Na vnějším povrchu výrobku se může nacházet ochranná folie, kterou je zapotřebí odstranit.
- Vodorovné ustavení spotřebiče je třeba upravit zašroubováním 2 nastavitelných předních nožek (obr. 3)
- Pro zabezpečení svobodného otevírání dvířek, je vzdálenost mezi boční stranou výrobku (ze strany závěsu dvířek), a stěnou místnosti představena na výkresu obr. 5.\*
- Je třeba se postarat o vhodnou ventilaci místnosti a dostatečnou cirkulaci vzduchu v prostoru okolo spotřebiče (obr. 6).\*

## Minimální vzdálenosti od tepelných zdrojů

- od elektrických, plynových sporáků a jiných - 30 mm,
- od plynových nebo uhelných kotlů - 300 mm,
- od vestavených trub - 50 mm

Pokud není možné dodržení výše stanovených vzdáleností, je třeba použít vhodnou izolační desku.

Pozor:

- Zadní stěna chladničky a zejména kondenzátor a jiné součásti chladičského oběhu se nemohou dotýkat jiných součástí, které mohou způsobit poškození, zvláště (s trubicí CO a privádějící vodu).
- Není přípustná jakákoliv manipulace se součástmi agregátu. Je třeba věnovat mimořádnou pozornost tomu, aby nedošlo k poškození kapilární trubky, která je viditelná v kompresorovém prostoru. Tato trubka nemůže být ohýbána, narovnána ani kroucena.
- Poškození kapilární trubky uživatelem způsobuje ztrátu nároků vyplývajících ze záruky (obr. 8).
- Ve vybraných modelech se uchytí dvířek nachází uvnitř výrobku a je nutné ho přišroubovat vlastním šroubovákem.

## Připojení napájení

- Před připojením se doporučuje nastavit otáčecí kolečko regulátoru teploty do polohy „OFF“ anebo jiné, způsobující odpojení spotřebiče od napájení (viz strana s popisem ovládání).
- Spotřebič je třeba připojit k síti střídavého proudu 220-240V/ 50Hz- správně zapojenou elektrickou zásuvkou s uzemněním a jištěnou 10 A pojistkou.
- Uzemnění spotřebiče je vyžadováno právními předpisy. Výrobce se zříká jakékoliv odpovědnosti z titulu eventuálních škod, které mohou utrpět osoby nebo předměty v důsledku nesplnění povinností stanovených tímto předpisem.
- Nesmí se používat spojovací články, několikanásobné zásuvky (rozváděče), dvoužilové prodlužovací kabely. Pokud je nutné použití prodlužovacího kabelu, může to být pouze prodlužovací kabel s ochranným kolíkem, jednozásuvkový, který má bezpečnostní atest VDE/GS,
- Pokud bude použit prodlužovací kabel (s ochranným kolíkem, který má bezpečnostní značku), pak jeho zásuvka musí být umístěna v bezpečné vzdálenosti od dřezů a nemůže být vystavena na zalití vodou a různými odpady.
- Údaje jsou uvedené na výkonovém štítku umístěném dole na vnitřní stěně chladicího prostoru chladničky\*\*.

## Odpojení od napájení

Je třeba zajistit možnost odpojení spotřebiče od elektrické sítě vytažením zástrčky nebo vypnutím dvojpólového vypínače (obr. 9).

## KLIMATICKÁ TŘÍDA

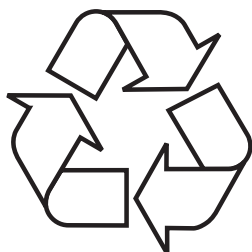
Informace o klimatické třídě spotřebiče se nachází na výkonovém štítku. Štítek stanoví, při jaké okolní teplotě (tj. místnosti, ve které pracuje) spotřebič funguje optimálně (správně).

Klimatická třída:		Přípustná okolní teplota
SN	subnormální	Chladicí zařízení je určeno k provozu v teplotě okolí v rozsahu 10 °C až 32 °C
N	normální	Chladicí zařízení je určeno k provozu v teplotě okolí v rozsahu 16 °C až 32 °C
ST	subtropická	Chladicí zařízení je určeno k provozu v teplotě okolí v rozsahu 16 °C až 38 °C
T	tropická	Chladicí zařízení je určeno k provozu v teplotě okolí v rozsahu 16 °C až 43 °C

\* Netýká se spotřebičů do vestavění

\*\* V závislosti od modelu

# VYBALENÍ



Zařízení bylo po dobu přepravy zabezpečeno proti poškození. Po vybalení zařízení odstraňte části obalu způsobem, který neohrožuje životní prostředí.

Všechny materiály použité na obal jsou stoprocentně neškodné pro životní prostředí a jsou vhodné pro zpětné získání a byly označeny příslušným symbolem.

Upozornění! Obalové materiály (polyetylenové sáčky, pěnový polystyren apod.) nenechávejte při vybalování v dosahu dětí.

# LIKVIDACE OPOTŘEBOVANÝCH ZAŘÍZENÍ



Toto zařízení je označeno v souladu s evropskou směrnicí 2012/19/ES. Takové označení znamená, že toto zařízení se po ukončení životnosti nesmí vyhazovat společně s jiným domácím odpadem.

Uživatel je povinen odevzdat jej do sběrný použitých elektrických a elektronických zařízení. Provádějící sběr, včetně místních sběrů, obchodů a obecních úřadů, tvoří systém umožňující odevzdávání těchto zařízení.

Příslušné nakládání s použitými elektrickými a elektronickými zařízeními zabráňuje negativním následkům pro lidské zdraví a životní prostředí, vznikajícím z přítomnosti nebezpečných složek a nesprávného skladování a zužitkování takových zařízení.

# OBSLUHA A FUNKCE

## Uchovávání potravin v chladničce a mrazničce

- Výrobky je třeba vkládat na talířcích, v nádobách nebo zabalené do alobalu.
- Rovnoměrně rozložit na plochách polic.
- Je třeba si všimnout, zda se potraviny nedotýkají zadní stěny, pokud ano, tehdy to může způsobit usazení námrazy nebo navlhnutí potravin.
- Do chladničky se nemají vkládat nádoby s horkým obsahem.
- Potraviny snadno přijímající cizí pachy, takové jako máslo, mléko, tvaroh a také takové, které mají intenzivní vůni např. ryby, uzeniny, sýry – je třeba ukládat na police zabalené do fólie nebo v hermeticky uzavřených nádobách.
- Uchovávání zeleniny obsahující velké množství vody způsobuje osazování vodní páry nad nádobami na zeleninu; toto nevedí správnému fungování chladničky.
- Před vložením zeleniny do chladničky je třeba ji dobře osušit.
- Přílišná vlhkost zkracuje dobu uchovávání zeleniny, zejména listnaté.
- Zeleninu je třeba uchovávat nemytou. Mytí odstraňuje přirozenou ochranu a proto je lépe umýt zeleninu těsně před požitím.
- Doporučuje se vkládat výrobky do přirozené hranice naplnění (obr. 11a / 11b).\*\*

1. Balené výrobky
2. Polička
3. Přirozená hranice naplnění
4. ✖\*\*\*

- Přípouští se ukládání výrobků na drátěných policích mrazničky.\*
- Přípouští se vysunutí výrobků na polici o 20-30 mm od přirozené hranice naplnění.\*\*
- Pro zvýšení naplňovacího prostoru a uložení produktů v komoře na dně do maximální výšky je možné odstranit dolní koš.\*

## Zmrazování výrobků\*\*

- Zmrazovat je možno prakticky všechny potravinářské výrobky s výjimkou zeleniny konzumované v syrovém stavu, např. zelený salát.
- Ke zmrazování se používají pouze potravinářské výrobky nejvyšší kvality, rozdělené na porce určené pro jednorázovou spotřebu.
- Produkty je nutné balit do materiálů bez zápachu, odolné vůči vnikání vzduchu a vlhkosti a nereagující na tuky. Nejlepšími materiály jsou: sáčky nebo archy z polyetylenové a hliníkové fólie.
- Obal musí být těsný a těsně přiléhat k zmrazeným výrobkům. Nepoužívejte skleněné nádoby.
- Čerstvé a teplé potravinářské výrobky (při okolní teplotě) vložené za účelem zmrazení se nemají dotýkat již zmrazených potravin.
- Doporučuje se, aby se během 24 hodin do mrazničky nevkládalo na jednu více čerstvých potravin, než je uvedeno v tabulce.
- Pro zachování dobré kvality zmrazovaných výrobků se doporučuje přeskupit zmrazené výrobky nacházející se ve střední části mrazničky.

- ky tak, aby se nedotýkaly výrobků, které ještě nejsou zmrazené.
- Doporučujeme zmrazené porce přesunout na jednu stranu mrazicího prostoru a čerstvé porce ke zmrazení uložit na opačné straně a maximálně přisunout k zadní a boční stěně.
- Do zmrazování výrobků použijte prostor, který je označen **✳️\*\*\***
- Je třeba pamatovat, že na teplotu mrazicího prostoru mrazničky mají vliv mimo jiné: okolní teplota, stupeň naplnění potravinářskými výrobky, četnost otevírání dveří, tloušťka námrazy v mrazničce, nastavení termostatu.
- Kdyby po zavření dveří mrazicího prostoru mrazničky nešly dveře ihned zpět otevřít, doporučujeme počkat 1 až 2 minuty, až bude vzniklý podtlak vyrovnán.

Doba uchovávání zmrazených výrobků je závislá na jejich kvalitě v čerstvém stavu před zmrazením a také na teplotě uchovávání. Při zachování teploty -18°C nebo nižší jsou doporučeny následující doby uchovávání:

Výrobky	Měsíce
Hovězí	6-8
Telecí	3-6
Drůbky	1-2
Vepřové	3-6
Drůbež	6-8
Vejte	3-6
Ryby	3-6
Zelenina	10-12
Ovoce	10-12

Komora rychlého chlazení neslouží k přechovávání chlazených pokrmů. V této komoře je možné vyrábět a přechovávat kostky ledu.

Upozornění; Nemá-li zařízení mrazicí prostor **✳️\*\*\***, znamená to, že není vhodné ke zmrazování potravin.

\* Týká se spotřebičů s komorou mrazničky v dolní části spotřebiče

\*\* Týká se spotřebičů majících komoru mrazení **✳️\*\*\***

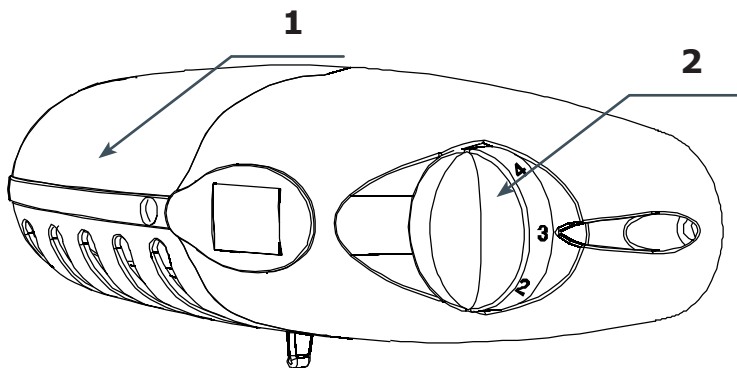
\*\*\*Netýká se spotřebičů vybavených komorami zmrazování označených **✳️\*\*\***



# OVLÁDÁNÍ

## Ovládání zařízení

Ovládací panel je znázorněn na obrázku 10, pro připomenutí se nachází také níže:



1 - Světelný zdroj  
2 - Termostat

## Regulace teploty uvnitř zařízení

Změna nastavení otočného regulátoru změní teplotu v zařízení:

Poloha OFF/0 Zařízení vypnuto

Položka 1 V zařízení převládá nevyšší teplota (uvnitř je tepleji)

Položka 2–6 V zařízení převládá průměrná teplota

Položka 7 V zařízení převládá nejnižší teplota (uvnitř je chladněji)

### Upozornění:

- Knoflík termostatu na vašem zařízení může být nastaven jinak než v tomto popisu. Obecný princip jeho fungování je popsán výše.
- Pokud na knoflíku vašeho zařízení chybí poloha označená jako „OFF“ nebo „0“, můžete zařízení úplně vypnout vytažením napájecího kabelu ze zásuvky. Před odpojením nastavte nejnižší hodnotu na termostatu.

## Další informace o teplotě

- Teplotu uvnitř zařízení ovlivňuje mnoho faktorů. Nastavení knoflíku závisí mimo jiné na okolní teplotě, intenzitě slunečního záření, četnosti otevírání dveří zařízení, množství potravin. Nastavení knoflíku do střední polohy je ve většině případů nejoptimálnější.
- Prostory se nemají naplňovat před jejich ochlazením (min. po 4 hod.) provozu spotřebiče.
- Z důvodu změny ročního období se nemá měnit nastavení teploty. Zvýšení teploty okolí bude zjištěno čidlem a kompresor bude automaticky uveden do provozu po delší časové období za účelem udržení nastavené teploty ve vnitřním prostoru.
- Nevelké změny teploty jsou normálním jevem a mohou se vyskytovat například během uchovávání velkého množství čerstvých výrobků v chladničce anebo když dveře zůstaly otevřené po delší dobu. Toto nebude mít vliv na potravinářské výrobky a teplota se rychle vrátí na úroveň nastavení.

# OSVĚTLENÍ

Tato kapitola se týká zařízení továrně vybavených zářivkovým osvětlením a vybraných zařízení vybavených LED osvětlením v podobě žárovky s patičkou E14.

## Výměna osvětlení

- Nastavte knoflík do polohy „OFF“, pak vytáhněte zástrčku ze sítě zásuvky.
- Demontujte kryt žárovky a sejměte jej (obr. 18).
- Vyměňte žárovku za novou se stejnými parametry, jaké má továrně namontovaná žárovka v zařízení (220–240 V, patička E14, maximální rozměry baňky: průměr – 26 mm, délka 55 mm).
- Namontujte kryt žárovky.
- Nepoužívejte žárovky s nižším nebo vyšším výkonem, používejte pouze žárovky s výše uvedenými parametry.

### Upozornění:

- Použité osvětlení nepoužívejte k osvětlování domácích prostor.
- Pokud v tomto návodu neexistuje obrázek označený jako 18, výměnu osvětlení musí provést kvalifikovaný elektrikář.

# JAK EKONOMICKY POUŽÍVAT CHLADNIČKU

## Praktické porady

- Neumisťujte chladničku ani mrazničku poblíž ohřívačů, sporáků anebo je nevystavujte na bezprostřední působení slunečních paprsků.
- Přesvědčte se, že ventilační otvory nejsou zakryté. Jednou anebo dvakrát ročně z nich odstraňte prach a očistěte je.
- Zvolte příslušnou teplotu: teplota 6 až 8°C v chladničce jak rovněž -18°C v mrazničce je postačující.
- Při výjezdu na dovolenou, náleží zvýšit teplotu v chladničce.
- Dvířka chladničky anebo mrazničky otevírejte pouze tehdy, pokud to je nutné. Je dobré mít informace, jaké potraviny jsou přechovávány v chladničce a kde přesně se nacházejí. Nespotřebované potraviny je zapotřebí co nejrychleji schovat zpátky do chladničky anebo mrazničky, dokud se nezahřejí.
- Pravidelně vytírejte vnitřek chladničky hadříkem navlhčeným jemným detergentem. Spotřebič bez funkce automatického rozmrazování, pravidelně rozmrazujte. Nedovolte vytvoření se vrstvy jinovatky hrubší jak 10 mm.
- Těsnění kolem dvířek udržujte v čistotě, v opačném případě se dvířka nebudou úplně zavírat. Poškozené těsnění musíte vždy vyměnit.

## Co znamenají hvězdičky?



Teplota nepřekračující -6°C postačí pro přechovávání zmrazených potravin přibližně jeden týden. Zásuvky anebo komory označené jednou hvězdičkou jsou (nejčastěji) v lacinějších chladničkách.



V teplotě nižší než -12°C je možné přechovávat potraviny v čase 1-2 týdnů bez ztráty chuťových vlastností. Není postačující pro zmrazování potravin.



Hlavně používané do zmrazování potravin v teplotě nižší než -18°C. Umožňuje zmrazení čerstvých potravin hmotností do 1 kg.



Tak označený spotřebič umožňuje přechovávání potravin v teplotě nižší než -18°C a zmrazování většího množství potravin.

## Zóny v chladničce

S ohledem na přirozenou cirkulaci vzduchu, se v komoře chladničky nacházejí různé teplotní zóny:

Nejchladnější prostor se nachází bezprostředně nad zásuvkami se zeleninou. V tomto prostoru přechovávejte choulostivé a snadno kazící se produkty jako:

- ryby, maso, drůbež,
  - uzeniny, uvařené pokrmy,
  - pokrmy anebo upečené produkty obsahující vejce anebo smetanu,
  - čerstvé zákusky, směsi zákusků,
  - balenou zeleninu a jiné čerstvé potraviny s etiketou prikazující přechovávání v teplotě cca 4°C.
- Nejtepleji je v horní části dvířek. Zde se nejlépe přechovávají sýry a maslo.

## Produkty, které by neměly být přechováváné v chladničce

- Ne všechny produkty jsou vhodné do přechovávání v chladničce. Patří k nim:
  - ovoce a zelenina citlivá vůči nízkým teplotám, jako na příklad banány avokádo, papája, marakuja, baklažány, rajčata a okurky,
  - nezralé ovoce,
  - brambory

Pozor:

Příklad rozmístění produktů v spotřebiči (Obr. 12).

Aby se dosáhlo co nejlepší konzervace potravin po co nejdelší dobu a předešlo se tak plýtvání jimi, je třeba rozmístit potraviny tak, jak je ukázáno na obr. č. 12. Tento obrázek navíc ukazuje uspořádání zásuvek, košíků a poliček, které chladicímu zařízení dovoluje využít energii co nejúčinněji.

Uchovávání potravin ve vhodných podmínkách a teplotě prodlouží jejich trvanlivost a optimalizuje se tak i spotřeba elektrické energie. Rozsah vhodných teplot by se měl nacházet na obalech nebo štítcích potravin.

# ODMRAZOVÁNÍ, MYTÍ A ÚDRŽBA

K čištění pláště a umělohmotných částí výrobků nikdy nepoužívejte roz-pouštědel, jak rovněž ostrých, brusných čistících přípravků (např. prášku anebo čistících past)! Používejte pouze tekuté jemné mycí prostředky, jak rovněž měkké hadříky. Nepoužívejte houbičky.

## Odmrazování chladničky\*\*\*

- Na zadní straně chladničky vzniká námraza, která je odstraňována automaticky. Během odmrázování se mohou spolu s kondenzátem do otvoru žlábků dostávat nečistoty. Toto může způsobit ucpaní otvoru. V takovém případě je třeba otvor lehce protlačit čistícím trubek (obr. 13)
- Spotřebič pracuje cyklicky: chladí (tehdy se na zadní stěně tvoří námraza), následovně se odmrazuje (kondenzát stéká po zadní stěně).
- Před započítím čištění je třeba bezpodmínečně odpojit spotřebič od napájení vytažením zástrčky ze síťové zásuvky, vypnutím nebo vyšroubováním pojistky. Je nepřipustné, aby se voda dostala do řídicího panelu nebo osvětlení.
- K rozmrazování nedoporučujeme používat prostředky ve spreji. Mohou způsobit vznik výbušných směsí, obsahovat ředidla, která mohou poškodit plastové části spotřebiče a dokonce být nebezpečné pro zdraví.
- Je třeba dávat pozor, aby voda používaná k mytí pokud možno nestékala odtokovým otvorem do odpařovací misky.
- Celý spotřebič s výjimkou těsnění dveří je třeba mýt jemným čistícím prostředkem. Těsnění ve dveřích je třeba vyčistit čistou vodou a vytrít dosucha.
- Je třeba důkladně umýt všechny součásti výbavy (nádoby na zeleninu, dveřní regály, skleněné police atd.).

## Odmrazování mrazničky\*\*

- Odmrazování mrazicího prostoru se doporučuje spojit s mytím spotřebiče.
- Větší nahromadění ledu na mrazicích plochách ztěžuje provozní účinnost spotřebiče a způsobuje větší spotřebu elektrické energie.
- Doporučujeme odmrázovat spotřebič alespoň jedenkrát nebo dvakrát za rok.
- Pokud se uvnitř nacházejí výrobky, je třeba nastavit otočný knoflík do polohy max. asi 4 hodiny před plánovaným rozmrazením. Toto zajistí možnost uchovávání výrobků při okolní teplotě po delší dobu.
- Po vyjmutí potravin z mrazničky je třeba je vložit do misky, zabalit do několika vrstev novinového papíru, zavínout do deky a uchovávat na chladném místě.
- Rozmrazování mrazničky má být provedeno pokud možno rychle. Delší uchovávání výrobků při okolní teplotě zkracuje dobu jejich použitelnosti.

## **Pro odmrazení mrazicího prostoru mrazničky je třeba\*\***

Naštvit otočný knoflík termostatu do polohy "OFF" / „0“, vytáhnout zástrčku ze zásuvky.

Otevřít dveře, vyjmout výrobky.

Asi za půl hodiny je možno z hladkých povrchů stěn odstranit vrstvu ledu, vody.

Umýt a vysušit vnitřek mrazničky.

Zapnout spotřebič podle příslušného bodu v návodu.

## **Automatické odmrazování chladničky\*\*\*\***

Chladicí prostor chladničky byl vybaven funkcí automatického odmrazování. Přesto na zadní stěně chladicího prostoru chladničky může vznikat námraza. Převážně se takto děje, když se v chladicím prostoru uchovává mnoho čerstvých potravinářských výrobků.

## **Automatické odmrazování mrazničky\*\*\*\***

Mrazicí prostor mrazničky byl vybaven funkcí automatického odmrazování (no-frost). Potraviny jsou zmrazovány chladicím systémem oběhového vzduchu a vlhkost z mrazicí komory mrazničky je odváděna vně. Ve výsledku v mrazničce nevzniká zbytečná námraza a výrobky k sobě nepřimrzají.

## **Ruční mytí mrazicího prostoru chladničky a mrazničky\*\*\*\***

Prostor chladničky a mrazničky se doporučuje umýt přinejmenším jednou za rok. Toto zabraňuje vzniku bakterií a nepříjemných zápachů. Celý spotřebič je třeba vypnout tlačítkem (1), vyjmout výrobky a prostory umýt vodou s přísávkem jemného čistícího prostředku. Nakonec prostory vytrít hadříkem.

## **Vytahování a vkládání polic \*\*\*\*\***

Vysunout polici a potom vtlačit na doraz tak, aby západka police zaskočila do výřezu vodící lišty (obr. 15).

## **Vytahování a vkládání dveřního regálu \*\*\*\*\***

Nadzvednout regál, vytáhnout a nasadit shora zpět do požadované polohy (obr. 16).

V žádném případě se nesmí dávat do vnitřku mrazničky elektrický, foukací ohříváč ani fén na vlasy.

\*\* Týká se spotřebičů majících komoru mrazení 

Netýká se spotřebičů s beznámrazovým systémem

\*\*\* Týká se spotřebičů majících komoru chladničky.

Netýká se spotřebičů s beznámrazovým systémem

\*\*\*\* Týká se spotřebičů vybavených beznámrazovým systémem

\*\*\*\*\* Netýká se mrazniček

# URČOVÁNÍ ZÁVAD

Problém	Možné příčiny	Možná řešení
Spotřebič nefunguje	Přerušený obvod elektrické instalace	<ul style="list-style-type: none"> <li>- zkontrolovat, zda je zástrčka správně</li> <li>- zjistit, zda není poškozen napájecí kabel spotřebiče</li> <li>- zjistit, zda je v zásuvce napětí – připojit jiný spotřebič např. stolní lampičku</li> <li>- zjistit, zda je spotřebič zapnutý – nastavit termostat do polohy vyšší než „OFF“.</li> </ul>
Nefunguje osvětlení vnitřního prostoru	Žárovka není dotažená nebo je spálená (Ve spotřebičích se žárovkou).	<ul style="list-style-type: none"> <li>- zkontrolovat předchozí bod "Spotřebič nefunguje"</li> <li>- dotáhnout nebo vyměnit spálenou žárovku (Ve spotřebičích se žárovkou).</li> </ul>
Nepřetržitý provoz spotřebiče	Nesprávné nastavení otočného knoflíku	- přetočit otočný knoflík do nižší polohy
	Zbývající příčiny jako v bodě „Spotřebič příliš málo chladí a/nebo mrazí“	- zkontrolujte podle předcházejícího bodu „Spotřebič příliš málo chladí a/nebo mrazí“
V dolní části chladničky voda	Odváděcí otvor vody je ucpaný	- vyčistit odtokový otvor (viz Návod k obsluze, kapitola - „Odmrazování chladničky“)
	Ztížená cirkulace vzduchu uvnitř prostoru	- uložit potravinářské výrobky a nádoby tak, aby se nedotýkaly zadní stěny chladničky
Zvuky nevycházející z normálního provozu spotřebiče	Spotřebič není správně	- správně ustavit spotřebič
	Spotřebič se dotýká nábytku a/nebo jiných předmětů	- spotřebič postavit volně tak, aby se nedotýkal jiných

<b>Problém</b>	<b>Možné příčiny</b>	<b>Možná řešení</b>
Teplota uvnitř chladničky není dostatečně nízká nebo je příliš vysoká	Nesprávné nastavení otočného knoflíku	- přetočit otočný knoflík do vyšší polohy
	Teplota okolního prostředí je větší anebo menší od teploty uvedené v tabulce technické specifikace spotřebiče.	- spotřebič je přizpůsobený do práce v teplotě, která je uvedena v tabulce s technickou specifikací spotřebiče.
	Spotřebič stojí na nasluněném místě nebo blízko tepelných zdrojů	- změnit místo ustavení spotřebiče podle návodu k obsluze
	Jednorázové naplnění velkým množstvím teplých výrobků	- počkat asi 72 hodin na vychlazení (zmrazení) výrobků a dosažení požadované teploty vnitřního prostoru
	Ztížená cirkulace vzduchu uvnitř prostoru	- uložit potravinářské výrobky a nádoby tak, aby se nedotýkaly zadní stěny chladničky
	Ztížená cirkulace vzduchu ze zadní strany spotřebiče	- odsunout spotřebič od stěny min. 30 mm
	Dveře chladničky/mrazničky jsou příliš často otevírány a/nebo zůstávají dlouze otevřené	- omezit četnost otevírání dveří a/nebo zkrátit dobu, po jakou dveře zůstávají otevřené
	Dveře se nedovírají	- výrobky a nádoby uložit tak, aby neztěžovaly zavírání dveří
	Kompresor se zřídka zapíná	- zkontrolujte zda teplota okolního prostředí není menší než rozsah klimatické třídy
Špatně vložené těsnění dveří	- zatlačit těsnění	

Během normálního používání chladicího zařízení mohou vystupovat různé zvuky, které nemají žádný vliv na bezchybnou práci chladničky.

Zvuky, které se lehce odstraňují:

- hluk, kdy chladnička nestojí svísele - usměrněte nastavení pomocí nastavitelných nožiček vpředu. Můžete také podložit pod rolky ze zadu měkkou látku, především v případě, že podlaha je provedena z podlahových dlaždic
- otírání se o sousední nábytek - přesuňte chladničku.
- skřípání zásuvek anebo poliček - vytáhněte a opětovně vložte zásuvku anebo poličku.
- zvuky způsobené dotýkajícími se láhvemi - odsuňte láhve od sebe.

Zvuky, které mohou být slyšitelné během správné exploatace, vyplývají z práce termostatu, kompresoru (připojení), chladicí soustavy (chlazení smršťování a rozšiřování materiálu vlivem teplotních rozdílů, jak rovněž průtoku chladicího médium).



# ZÁRUKA, POPRODEJNÍ SERVIS

## Záruka

Záruční plnění podle záručního listu. Výrobce neodpovídá za žádné škody způsobené nesprávným zacházením s výrobkem.

## Servis

- Výrobce zařízení doporučuje, aby všechny opravy a seřizovací činnosti prováděl tovární servis nebo autorizovaný servis výrobce. Z bezpečnostních důvodů neopravujte zařízení vlastními silami.
- Opravy osobami bez požadované kvalifikace mohou představovat vážné nebezpečí pro uživatele zařízení.
- Minimální doba platnosti záruky na zařízení nabízené výrobcem, dovozcem nebo oprávněným zástupcem je uvedena v záručním listu.
- Zařízení ztrácí záruku v důsledku svépomocných adaptací, upravy, porušení plomb nebo dalších zabezpečení přístroje nebo jeho částí a dalších svépomocných zásahů do zařízení v rozporu s návodem k obsluze.

## Oznámení poruchy a pomoc v případě závady

Potřebuje-li zařízení opravit, kontaktujte servis. Kontaktní údaje servisu včetně telefonního čísla se nacházejí v záručním listu. Před kontaktem si připravte výrobní číslo zařízení, nachází se na výrobním štítku. Pro pohodlí si ho přepište níže:

--	--	--	--	--	--	--	--	--	--	--	--	--	--

## Prohlášení výrobce

Producent tímto prohlašuje, že tento výrobek splňuje základní požadavky níže uvedených evropských směrnic:

- směrnice pro nízkonapěťová zařízení 2014/35/EC
- směrnice o elektromagnetické kompatibilitě 2014/30/EC
- směrnice ErP - 2009/125/EC
- směrnice RoHS 2011/65/EC

a proto byl spotřebič označen  a také bylo pro něho vystaveno prohlášení o shodě poskytované orgánům pro dohled nad trhem.

# Vážený zákazník

Od dnešného dňa každodenné povinnosti budú jednoduchšie ako kedykoľvek predtým. Zariadenie značky **Amica** spája výnimočne jednoduché používanie a dokonalú efektívnosť. Keď sa oboznámite s užívateľskou príručkou, s používaním zariadenia nebudete mať žiadne problémy.

Zariadenie, ktoré opúšťa továreň, bolo pred konečným zabalením na kontrolných staniciach dôkladne skontrolované, čo sa týka bezpečnosti a funkčnosti zariadenia.

Pred spustením zariadenia sa podrobne a dôkladne oboznámte s užívateľskou príručkou. Dodržiavaním pokynov a odporúčaní, ktoré sú v príručke uvedené, predídete nesprávnemu používaniu zariadenia. Príručku uchovajte a uložte ju na takom mieste, aby bola v prípade potreby ľahko dostupná.

**Dôkladne dodržiavajte pokyny a odporúčania uvedené v príručke, vyhnete sa tak nešťastným nehodám či úrazom.**

S úctou

**Amica**

# DÔLEŽITÉ BEZPEČNOSTNÉ POKYNY

- Prístroj je určený výhradne pre domáce použitie.
- Výrobca si vyhradzuje možnosť prevádzania zmien neovplyvňujúcich fungovanie spotrebiča.
- Niektoré zápisy v tomto návode sú zjednotené pre chladiarenské výrobky rôznych typov, (pre chladničky, chladničky- mrazničky alebo mrazničky). Informácie na tému druhu Vášho spotrebiča sa nachádzajú v Technickom liste pripojenom k výrobku.
- Výrobca nenesie zodpovednosť za škody vzniknuté z nedodržiavania zásad umiestnených v tomto návode.
- Prosimé o zachovanie tohto návodu s cieľom jeho využitia v budúcnosti alebo odovzdania eventuálnemu ďalšiemu užívateľovi.
- Toto zariadenie nie je prispôbené k používaniu osobami (v tom deťmi) s obmedzenou fyzickou, zmyslovou alebo psychickou schopnosťou alebo osobami s nedostatočnými skúsenosťami a znalosťami zariadenia, iba ak je uskutočňované pod dohľadom alebo v súlade s návodom používania zariadenia, odovzdanom osobami odpovedajúcimi za ich bezpečnosť.
- Venujte mimoriadnu pozornosť tomu, aby spotrebič nepoužívali deti ponechané bez dozoru. Nechávajú sa im hrať so spotrebičom. Nie je im dovolené sadáť si výsuvné časti a zavesovať sa na dvere.
- Spotrebič pracuje správne v teplote okolitého prostredia, ktorá je uvedená v tabuľke s technickou špecifikáciou. Nepoužívajte ho v pivnici, sieni, v neohrievanej chate v jeseni a v zime.
- Počas umiestňovania, presúvania, dvíhania sa nemá chytať za madlá dverí, ťahať za odparovací kondenzátor na zadnej strane chladničky a aj dotýkať kompresorovej jednotky.

- Spotrebič nenahýbajte viac ako 40° od zvislej polohy v priebehu prepravy, prenášania alebo umiestovania. Ak sa taká situácia vyskytla, zapnutie spotrebiča môže nastúpiť min. po 2 hodinách od jeho umiestenia (výkr. 2).
- Pred každou konzervačnou činnosťou vyjmite zástrčku zo sieťovej zásuvky. Nepopotáhajte za vodič, ale chytajte za korpus zástrčky.
- Počuteľné zvuky ako bublanie alebo praškanie sú spôsobené roztahovaním a zmrašťovaním súčastí v dôsledku teplotných zmien.
- Z bezpečnostných dôvodov neopravujte spotrebič svojpomocným spôsobom. Opravy vykonávané osobami, ktoré nemajú požadovanú kvalifikáciu môžu vytvárať vážne nebezpečenstvo pre užívateľa spotrebiča.
- V prípade poškodenia chladiaceho okruhu je potreba na niekoľko minút vyvetrať miestnosť, v ktorej sa nachádza spotrebič (táto miestnosť musí mať aspoň 4 m<sup>3</sup>; pre spotrebič s izobutánom /R600a).
- Výrobky, aj keď čiastočne rozmrazené, nie je možné znovu zmraziť.
- Nápoje vo fľašiach a plechovkách, najmä nápoje sytené oxidom uhličitým, sa nemajú uchovávať v mraziacom priestore mrazničky. Plechovky a fľaše môžu popraskať.
- Nemajú sa dávať do úst zmrazené výrobky ihneď po vyňatí z mrazničky (zmrzlina, kocky ľadu, atď.), ich nízka teplota môže spôsobiť bolestivé omrzliny.
- Dávajte pozor, aby nebol poškodený chladiaci okruh, napr. napichnutím kanálikov chladiaceho prípravku vo výparníku, zlomením rúr. Vystrekované chladiace médium je horľavé. V prípade vniknutia do očí vyplachujte ich čistou vodou a vyhľadajte lekársku pomoc.
- Ak bude napájací kábel poškodený, musí byť vymenený v špecializovanom servise.
- Spotrebič slúži k prechovávaniu potravín, nepou-

- žívajte ho k iným účelom.
- Spotrebič úplne odpojte od napájania (vytiahnutím zástrčky zo sietovej zásuvky) v čase vykonávania takých činností, akými sú čistenie, konzervácia alebo zmena miesta vstavenia.
  - Toto zariadenie môže byť používané deťmi vo veku 8 rokov a starších, osoby s obmedzenými fyzickými alebo mentálnymi schopnosťami, ako aj osobami bez skúseností a bez znalostí zariadenia môžu kanvicu používať, pokiaľ sú dohliadané alebo boli inštruované vzhľadom obsluhy zariadenia bezpečným spôsobom a znajú ohrozenie spojené s používaním zariadenia. Deti si nemôžu so zariadením hrať. Čistenie a konzervácia zariadenia nemôže byť vykonávaná deťmi ledaže ukončili 8 rokov a sú dohliadané zodpovednou osobou.
  - Pre získanie viac miesta v mrazničke, je možné z nej vybrať zásuvky a umiestňovať produkty bezprostredne na policičkách. Neovplyvňuje to termickú a mechanickú charakteristiku výrobku. Určený obsah mrazničky bol vypočítaný s vybratými zásuvkami.







**VAROVANIE:** Riziko požiaru / horľavé materiály

- Deti vo veku od 3 do 8 rokov môžu vkladať a vyberať výrobky z chladiaceho zariadenia.

Aby ste predišli znečisteniu potravín, dodržiavajte nasledujúce zásady:

- V dôsledku otvárania dvierok na dlhšie môže dôjsť k značnému zvýšeniu teploty v komorách zariadenia.
- Pravidelne čistite povrchy, ktoré sa stýkajú s potravinami, a tiež dostupné systémy (poľa vybavenia) odvádzajúce vodu.
- Surové mäso a ryby uchovávajte v chladničke vo vhodných nádobách tak, aby nedochádzalo ku kontaktu s ostatnými potravinami, a aby z nich nekvapkalo na iné potraviny.

- Dvojhviezdičkové komory mrazničky sú určené na uchovávanie už zmrazených potravín, na uchovávanie alebo mrazenie zmrzliny, ako aj na mrazenie (kočiek) ľadu.
- Jednohviezdičkové, dvojhviezdičkové a trojhviezdičkové komory nie sú určené na mrazenie čerstvých potravín.

	Typy komôr (oddelení)	Cieľová teplota uchovávania [°C]	Príslušné potraviny
1	Chladnička	+2≤+8	Vajcia, varené potraviny, balené potraviny, ovocie a zelenina, mliečne výrobky, koláče, nápoje a iné výrobky, ktoré sa nemôžu mraziť.
2	Mraznička 	≤-18	Plody mora (ryby, krevety, lastúrniky), sladkovodné výrobky a mäsové výrobky (odporúčané 3 mesiace, čím dlhší čas uchovávania, tým je potravinu menej chutná a má horšie výživové hodnoty), vhodné na zmrazené čerstvé výrobky.
3	Mraznička 	≤-18	Plody mora (ryby, krevety, lastúrniky), sladkovodné výrobky a mäsové výrobky (odporúčané 3 mesiace, čím dlhší čas uchovávania, tým je potravinu menej chutná a má horšie výživové hodnoty), nevhodné na mrazené čerstvé výrobky.
4	Mraznička 	≤-12	Plody mora (ryby, krevety, lastúrniky), sladkovodné výrobky a mäsové výrobky (odporúčané 2 mesiace, čím dlhší čas uchovávania, tým je potravinu menej chutná a má horšie výživové hodnoty), nevhodné na mrazené čerstvé výrobky.
5	Mraznička 	≤-6	Plody mora (ryby, krevety, lastúrniky), sladkovodné výrobky a mäsové výrobky (odporúčaný 1 mesiac, čím dlhší čas uchovávania, tým je potravinu menej chutná a má horšie výživové hodnoty), nevhodné na mrazené čerstvé výrobky.
6	Bezhviezdičková komora (oddelenie)	-6≤0	Čerstvá bravčovina, hovädzina, ryby, kura, niektoré balené spracované výrobky ap. (odporúčaná spotreba v ten istý deň, najlepšie v priebehu maximálne 3 dní). Čiastočne zabalené spracované výrobky (výrobky, ktoré sa nesmú mraziť)
7	Komora (oddelenie) na uchovávanie rýchlo sa kaziacich potravín	2≤+3	Čerstvá/mrazená bravčovina, hovädzina kura, sladkovodné výrobky ap. (7 dni pod 0 °C, nad 0 °C odporúčaná spotreba v ten istý deň, najlepšie v priebehu maximálne 2 dní). Plody mora (pod 0 °C 15 dní, neodporúčané uchovávanie pri teplote nad 0 °C)

8	Komora (oddelenie) na uchovávanie čerstvých potravín	0≤+4	Čerstvá bravčovina, hovädzina, ryby, kura, varené výrobky ap. (odporúčaná spotreba v ten istý deň, najlepšie v priebehu maximálne 3 dní).
9	Komora (oddelenie) na uchovávanie vína	+5≤+20	Červené, biele, šumivé víno ap.

- Pozor: výrobky uchovávať v súlade s odporúčaniami pre dané komory alebo podľa teploty uchovávaného výrobku.
- Ak chladiace zariadenie nebudete dlhší čas používať a bude prázdne, vypnite ho, rozmrazte, poumývajte, vysušte a nechajte s otvorenými dvierkami, aby ste predišli vzniku plesní vo vnútri.
- Čistenie výtlačného zariadenia vody (pre výrobky, ktoré majú výtlačné zariadenie vody): Nádoby na vodu vyčistite, ak sa nepoužívali 48 hodín; ak voda nebola vypustená počas 5 dní, prepláchnite vodný systém pripojením k vodovodu.
- Minimálna lehota, počas ktorej budú dostupné náhradné diely na opravovanie zariadenia, je 7 alebo 10 rokov, podľa typu a určenia daného náhradného dielu, a v súlade s nariadením Komisie (EU) 2019/2019.
- Zoznam náhradných dielov a procedúra ich objednávania sú dostupné na webových stránkach výrobcu, dovozcu alebo oprávneného zástupcu.
- Bližšie informácie o danom výrobku nájdete v databáze výrobkov EPREL, ktorá je dostupná na adrese <https://eprel.ec.europa.eu>. Informácie môžete získať načítaním QR kódu z energetického štítku alebo zadaním modelu výrobku z energetického štítku vo vyhľadávачi EPREL <https://eprel.ec.europa.eu/>

# INŠTALÁCIA A PREVÁDZKOVÉ PODMIENKY SPOTREBIČA

Toto chladiace zariadenie nie je určené na používanie ako vstavané zariadenie.

## Inštalácia pred prvým spustením

- Spotrebič je treba rozbaľiť, odstrániť lepiacu pásku zaisťujúcu dvere a vybavení. Eventuálne zvyšky lepidla je možné odstrániť jemným čistiacim prostriedkom.
- Polystyrénové časti obalu sa nemajú vyhadzovať. V nutnom prípade opätovného prevozu je potreba chladničku s mrazničkou zabaliť do častí polystyrénu a fólie a tiež zajištiť lepiacou páskou.
- Vnútrajšok chladničky a mrazničky ako aj súčasti výbavy je treba umyť vlažnou vodou s prídavkom prostriedku na umývanie riadu a potom vytrieť a vysušiť.
- Chladničku s mrazničkou je treba umiestniť na rovný, vodorovný a stabilný podklad, do suchej, vetranej miestnosti, kde nesvieti slnko, ďalej od tepelných zdrojov takých ako kuchyňa, radiátor ústredného kúrenia, trubka ústredného kúrenia, rozvod teplej vody atď.
- Na vonkajších poyrchoch výrobku sa môže nachádzať ochranná fólia, treba ju odstrániť.
- Vodorovné osadenie spotrebiča je treba upraviť zaskrutkovaním 2 nastaviteľných predných nožičiek (obr. 3)
- Pre zabezpečenie slobodného otvárania dvierok, je vzdialenosť medzi bočnou stranou výrobku (zo strany závesov dvierok), a stenou miestnosti predstavená na výkrese č. 5.\*
- Je treba zaisťiť vhodnú ventiláciu miestnosti a dostatočnú cirkuláciu vzduchu v priestore okolo spotrebiča (obr. 6).\*

## Minimálne vzdialenosti od tepelných zdrojov

- od elektrických, plynových sporákov a iných - 30 mm,
- od plynových alebo uhoľných kotlov - 300 mm,
- od vstavaných trúb - 50 mm

Pokým nie je možné dodržanie vyššie stanovených vzdialeností, je potreba použiť vhodnú izolačnú dosku.

Pozor:

- Zadná stena chladničky a najmä kondenzátor a iné súčasti chladiaceho obehu sa nemôžu dotýkať iných súčastí, ktoré môžu spôsobiť poškodenie, najmä (s rúrkou CO a privádzajúcou vodu).
- Nie je prípustná akákoľvek manipulácia so súčastami agregátu. Je potreba venovať mimoriadnu pozornosť tomu, aby nedošlo k poškodeniu kapilárnej rúrky, ktorá je viditeľná v kompresorovom priestore. Táto rúrka sa nesmie ohýbať, narovnávať ani krútiť.
- Poškodenie kapilárnej rúrky používateľom spôsobuje stratu nárokov vyplývajúcich zo záruky (obr. 8).
- Vo vybraných modeloch sa úchyt dvierok nachádza vo vnútri výrobku a je nutné ho priskrutkovať vlastným skrutkovačom



## Pripojenie napájania

- Pred pripojením sa odporúča nastaviť riadiace koliesko regulátora teploty na polohu „OFF“ alebo inú spôsobujúcu odpojenie spotrebiča od napájania (Vid' strana s opisom riadenia).
- Spotrebič je treba pripojiť k sieti striedavého prúdu 220-240V/ 50Hz správnou zapojenou elektrickou zásuvkou s uzemnením a istenou 10 A poistkou.
- Uzemnenie spotrebiča je vyžadované právnymi predpismi. Výrobca sa zrieka akejkoľvek zodpovednosti z titulu eventuálnych škôd, ktoré môžu utrpieť osoby alebo predmety v dôsledku nesplnenia povinností stanovených v tomto predpise.
- Nemajú sa používať spojovacie články, niekoľkonásobné zásuvky (rozvážače), dvojžilové predlžovacie káble. Pokým je nutné použitie predlžovacieho kábla, môže to byť iba predlžovací kábel s ochranným kolíkom, jednozásuvkový, ktorý má bezpečnostný atest VDE/GS.
- Pokým bude použitý predlžovací kábel (s ochranným kolíkom, ktorý má bezpečnostnú značku), napokon jeho zásuvka musí byť umiestnená v bezpečnej vzdialenosti od drezov a nemôže byť vystavená na zaliatie vodou a rôznymi odpadmi.
- Udaje sú uvedené na typovom štítku, umiestneným naspodku vnútornej steny chladiaceho priestoru chladničky\*\*.

## Odpojenie od napájania

Je potreba zabezpečiť možnosť odpojenia spotrebiča od elektrickej siete vytiahnutím zástrčky alebo vypnutím dvojpólového vypínača (obr. 9).

## KLIMATICKÁ TRIEDA

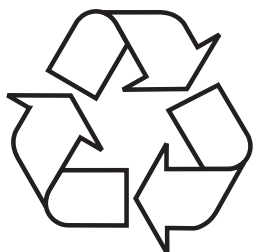
Informácia o klimatickej triede spotrebiča sa nachádza na výkonovom štítku. Štítok stanoví, pri akej teplote okolija (tzn. miestnosti, v ktorej pracuje) spotrebič funguje optimálne (správne).

Klimatické pásmo		Prípustná teplota prostredia
SN	rozšírené mierne	Chladiace zariadenie je určené na používanie pri teplote prostredia v rozpätí od +10 °C do +32 °C
N	mierne	Chladiace zariadenie je určené na používanie pri teplote prostredia v rozpätí od +16 °C do +32 °C
ST	subtropické	Chladiace zariadenie je určené na používanie pri teplote prostredia v rozpätí od +16 °C do +38 °C
T	tropické	Chladiace zariadenie je určené na používanie pri teplote prostredia v rozpätí od +16 °C do +43 °C

\* Netýka sa spotrebičov do vstavenia

\*\* V závislosti od modelu

# ROZBALENIE



Zariadenie je chránené pred poškodením počas prepravy. Prosíme Vás, aby ste po vybalení zariadenia zlikvidovali obalové materiály spôsobom neohrozujúcim životné prostredie. Všetky materiály použité na zabalenie sú neškodné pre životné prostredie, sú 100% recyklovateľné a sú označené príslušným symbolom.

Pozor! Dávajte pozor, aby sa obalové materiály (polyetylénové vrecká, kúsky polystyrénu atď.) nedostali do rúk deťom.

# LIKVIDÁCIA ZARIADENÍ



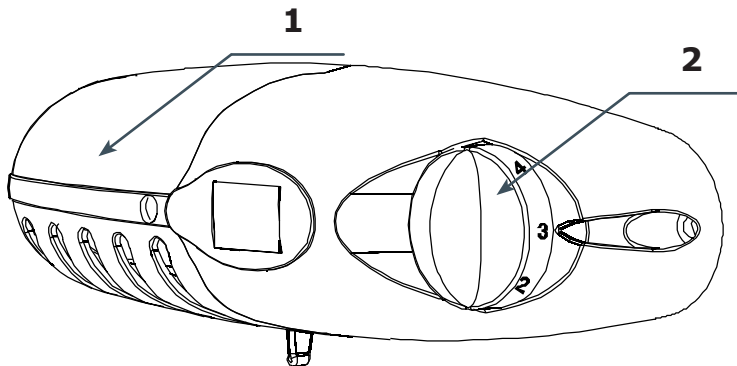
Toto zariadenie je označené v súlade s Európskou smernicou 2012/19/ES. Tento symbol informuje, že toto zariadenie sa po opotrebovaní (skončení používania) nesmie vyhodiť do komunálneho odpadu.

Užívateľ je povinný zariadenie odovzdať v zbernom mieste opotrebovaných elektrických a elektronických zariadení. Subjekty, ktoré sa zaoberajú spracovaním opotrebovaných zariadení, tzn. miestne zberné miesta, obchody alebo jednotky štátnej správy, vytvárajú príslušný systém, ktorý každému umožňuje odovzdať takéto zariadenia. Správny postup pri likvidácii elektrického a elektronického zariadenia predchádza negatívnemu vplyvu škodlivých pre ľudské zdravie a životné prostredie konzekvencií, ktoré vyplývajú z prítomnosti nebezpečných častí ako aj nesprávneho skladovania a recyklácie takýchto zariadení.

# OVLÁDANIE

## Ovládanie zariadenia

Ovládací panel je zobrazený na obr. 10, na pripomenutie je uvedený aj nižšie:



1 - Zdroj svetla  
2 - Termostat

## Nastavenie teploty vo vnútri zariadenia

Teplota vo vnútri zariadenia sa mení pretočením ovládacieho kolieska:

Poloha OFF/0 Zariadenie vypnuté

Poloha 1 V zariadení je najvyššia teplota (vo vnútri je teplejšie)

Poloha 2-6 V zariadení je priemerná teplota

Poloha 7 V zariadení je najnižšia teplota (vo vnútri je chladnejšie)

Pozor:

- Koliesko termostatu vo vašom zariadení môže byť kalibrované iným spôsobom, ako je to predstavené v tomto opise. Všeobecná zásada, ako funguje, je opísaná vyššie.
- Ak na ovládacom koliesku vášho zariadenia nie sú polohy označené „OFF“ alebo „0“, vaše zariadenie sa dá úplne vypnúť iba vytiahnutím zástrčky napájacieho kábla z el. zásuvky. Pred vypnutím zariadenia (vytiahnutím zástrčky), na termostate nastavte najnižšiu možnú teplotu.

## Dodatočné informácie o teplote

- Teplotu vo vnútri zariadenia ovplyvňuje mnoho faktorov. Nastavenie kolieska závisí medzi inými od teploty prostredia (okolia), intenzity slnečného žiarenia, frekvencie otvárania dverí zariadenia, množstva potravín. Nastavenie priemernej (strednej) teploty je vo väčšine prípadov najoptimálnejšie.
- Priestory sa nemajú zaplňovať pred ich ochladením min. po 4 hod. prevádzky spotrebiča.
- Z dôvodu zmeny ročného obdobia sa nemá meniť nastavenie teploty. Zvýšenie teploty okolia bude zistené snímačom a kompresor bude automaticky uvedený do prevádzky po dlhšie časové obdobie za účelom udržania nastavenej teploty vo vnútornom priestore.
- Neveľké zmeny teploty sú normálnym javom a napríklad sa môžu vyskytovať v priebehu prechovávaní v chladničke veľkého množstva sviežich produktov alebo keď dvere boli dlhšie časové obdobie otvorené. Neovplyvňuje to kvalitu potravín a teplota sa rýchlo vráti na nastavenú úroveň.

## OSVETLENIE

Táto kapitola sa týka zariadení, ktoré sú továrensky vybavené žiarivkovým osvetlením alebo zariadení, ktoré sú vybavené osvetlením LED so žiarovkami so závitom E14.

### Výmena osvetlenia

- Ovládacie koliesko pretočte na polohu „OFF“, následne vytiahnite zástrčku z el. zásuvky.
- Zdemontujte kryt (tienidlo) žiarovky a vytiahnite (obr. 18).
- Žiarovku vymeňte, použite funkčnú žiarovku s takými istými parametrami, ako továrensky namontované žiarovky (220-240 V, závit E14, maximálne rozmery žiarovky: priemer: 26 mm, dĺžka: 55 mm).
- Namontujte kryt (tienidlo) žiarovky naspäť na svoje miesto.
- Nepoužívajte žiarovky s vyšším alebo nižším výkonom, používajte len žiarovky s vyššie uvedenými parametrami.

Pozor:

- Použité osvetlenie (žiarovky) sa nemôžu používať na svietenie obytných priestorov.
- Ak v užívateľskej príručke nie je zobrazený obr. 18, osvetlenie (žiarovky) môže vymeniť iba kvalifikovaný technik alebo autorizovaný servis.

# OBSLUHA A FUNKCIE

## Uchovávanie potravín v chladničke a mrazničke

- Výrobky je treba vkladať na tanierikoch, v nádobách lebo zabalené do potravinovej fólie. Rovnomerne rozložiť na plochách polic.
- Je treba si všimnúť, či sa potraviny nedotýkajú zadnej steny, pokým áno, vtedy to môže spôsobiť tvorenie námrazy alebo navlhnutie potravín.
- Do chladničky sa nemajú vkladať nádoby s horúcim obsahom.
- Potraviny ľahko preberajúce cudzie pachy, také ako maslo, mlieko, tvaroh a tiež také, ktoré majú intenzívnu vôňu napr. ryby, údeniny, syry – je treba ukladať na police zabalené do fólie alebo v hermeticky uzavretých nádobách.
- Uchovávanie zeleniny obsahujúcej veľké množstvo vody spôsobuje usadzovanie vodnej pary hore nádob na zeleninu; neprekáža to správne fungovaniu chladničky.
- Pred vložením zeleniny do chladničky je treba ju dobre vysušiť.
- Prílišná vlhkosť skracaje dobu uchovávanía zeleniny, najmä listnatej.
- Zeleninu treba uchovávať neumytú. Umyvanie odstraňuje prirodzenú ochranu a preto je lepšie umyť zeleninu tesne pred použitím.
- Odporúča sa vkladať výrobkov v košoch 1, 2, 3\* do prirodzenej hranice naplnení (vid' obr. 11a / 11b).\*\*

1. Balené výrobky
2. Polička
3. Normálna hranica naplnenia
4. ❌\*\*\*

- Pripúšťa sa ukladanie výrobkov na drôtených policiach mrazničky.\*
- Pripúšťa sa vysunutie výrobkov na polici o 20-30 mm od prirodzenej hranice naplnení.\*\*
- Je možné odstránenie dolného koša s cieľom získania väčšieho úložného priestoru a uloženia výrobkov komore na dne do maximálnej výšky.\*

## Zmrazovanie výrobkov\*\*

- Zmrazovať je možné prakticky všetky potravinové výrobky, s výnimkou zeleniny konzumovanej v surovom stave, napr. zelený šalát.
- Na zmrazovanie sa používajú iba potravinové výrobky najvyššej kvality, rozdelené na porciu určené pre jednorázovú spotrebu.
- Výrobky je treba zabaliť do obalov bez zápachu, odolných voči prenikaniu vzduchu a vlhkosti a tiež odolných voči tuču. Najlepšími obalmi sú: sáčky, archy z polyetylénovej a hliníkovej fólie.
- Obal má byť nepriepustný a tesne priliehať ku zmrazeným výrobkom. Nemajú sa používať sklenené obaly.
- Čerstvé a teplé potravinové výrobky (pri teplote okolia) vložené za účelom zmrazenia nemajú prísť do styku s už zmrazenými potravinami.
- Odporúča sa, aby v priebehu 24 hodín nevkladať do mrazničky jednorázovo viac čerstvých potravín ako je uvedené v tabuľke s technickou špecifikáciou spotrebica.

- Pre uchovanie dobrej kvality zmrazovaných výrobkov sa odporúča preskúpiť zmrazené výrobky nachádzajúce sa vo strednej časti mrazničky tak, aby sa nedotýkali výrobkov ešte nezmrazených.
- Odporúčame zmrazené porcie presunúť na jednu stranu mraziaceho priestoru a čerstvé porcie na zmrazenie uložiť na opačnej strane a maximálne prisunúť ku zadnej a bočnej stene.
- Do zmrazovania výrobkov používajte priestor, ktorý je označený ❄️\*\*\*
- Je potreba pamätať, že na teplotu mraziaceho priestoru mrazničky majú vplyv okrem iného; teplota okolia, stupeň naplnenia potravinovými výrobkami, četnosť otvárania dverí, hrúbka námrazy v mrazničke ako aj nastavenie termostatu.
- Keby sa po zatvorení komory mrazničky dvierka nemohli okamžite znova otvoriť, radíme počkať 1 až 2 minúty, až tam vzniknutý podtlak bude kompenzovaný.

Doba uchovávania zmrazených výrobkov je závislá na ich kvalite v čerstvom stave pred zmrazením a tiež na teplote uchovávania. Pri zachovaní teploty -18°C alebo nižšej sú odporúčané nasledujúce doby uchovávania:

Výrobky	Mesiace
Hovädzí	6-8
Telací	3-6
Drobky	1-2
Bravčové	3-6
Hydina	6-8
Vajcia	3-6
Ryby	3-6
Zelenina	10-12
Ovocie	10-12

Komora rýchleho chladenia neslúži k prechovávaniu chladených pokrmov. V tejto komore je možné vyrábať a prechovávať kocky ľadu.

Pozor: Ak zariadenie nemá komoru ❄️\*\*\*, znamená to, že dané chladiace zariadenie nie je určené na mrazenie potravín.

\* Týka sa spotrebičov s komorou mrazničky v dolnej časti spotrebiča

\*\* Týka sa spotrebičov majúcih komoru mrazenia ❄️\*\*\*

\*\*\* Netyka sa spotrebičov vybavených komorami zmrazovania označených ❄️\*\*\*

# AKO EKONOMICKY POUŽÍVAŤ CHLADNIČKU

## Praktické rady

- Neumiestňujte chladničku ani mrazničku v blízkosti ohrievačov, šporákov alebo nevystavujte na bezprostredné pôsobenie slnečných lúčov.
- Presvedčte sa, že ventilačné otvory nie sú zakryté. Jednou alebo dvakrát ročne z nich odstráňte prach a očistite ich.
- Zvoľte príslušnú teplotu; teplota 6 až 8°C v chladničke ako aj -18°C v mrazničke je postačujúca
- V priebehu výjazdu na dovolenku teplotu v chladničke navýšte.
- Dvierka chladničky alebo mrazničky otvárajte len vtedy, pokiaľ je to nutné. Je dobré mať informácie, aké potraviny sú prechovávané v chladničke a kde sa presne nachádzajú. Nepoužité potraviny je potrebné čo najrýchlejšie schovať späť do chladničky alebo mrazničky, pokiaľ sa nezohrejú.
- Pravidelne vytierajte vnútro chladničky handričkou navlhčenou jemným detergentom. Spotrebič bez funkcie automatického rozmrazovania, pravidelne rozmrazujte. Nedovoľte vytvorenie sa vrstvy inováti hrubšej ako 10 mm.
- Tesnenie okolo dverí udržiajte v čistote, v opačnom prípade sa dvierka nebudú úplne zatvárať. Vždy vymeňte poškodené tesnenie.

## Čo znamenajú hviezdičky?



Teplota neprekračujúca -6°C postačí pre prechovávanie zmrazených potravín približne jeden týždeň. Zášuvky alebo komory označené jednou hviezdičkou sú (najčastejšie) v lacnejších chladničkách.



V teplote nižšej ako -12°C je možné prechovávať potraviny v čase 1-2 týždňov bez straty chuťových vlastností. Nie je postačujúca pre zmrazovanie potravín.



Hlavne používané pre zmrazovanie potravín v teplote nižšej ako -18°C. Umožňuje zmrazenie čerstvých potravín hmotnosti do 1 kg.



Tak označený spotrebič umožňuje prechovávanie potravín v teplote nižšej než -18°C a zmrazovanie väčšieho množstva potravín.



## Zóny v chladničke

S ohľadom na prirodzenú cirkuláciu vzduchu, sa v komore chladničky nachádzajú rôzne teplotné zóny.

Najchladnejší priestor sa nachádza bezprostredne nad zásuvkami so zeleninou. V tomto priestore prechováajte chľostivé a ľahko kaziace sa produkty ako:

- ryby, mäso, hydina,
  - údeniny, uvarené pokrmy,
  - pokrmy alebo upečené produkty obsahujúce vajcia alebo smotanu,
  - čerstvé zákusky, zmesi zákuskov
  - balenú zeleninu a iné čerstvé potraviny s etiketou prikazujúcou prechovávanie v teplote cca 4°C.
- Najteplejšie je v hornej časti dvierok. Tu sa najlepšie prechováajú syry a maslo.

## Produkty, ktoré by nemali byť prechovávané v chladničke

- Nie všetky produkty sú vhodné k prechovávaniu v chladničke. Patria k nim:
  - ovocie a zelenina citlivá voči nízkym teplotám, ako na príklad banány avokádo, papája, marakuja, baklažány, rajčiaky a uhorky,
  - nezrelé ovocie,
  - zemiaky

Pozor:

Príkladné rozmiestnenie produktov v spotrebiči (Výkr. 12).

Aby ste dosiahli čo najlepšiu úroveň konzervovania potravín na čo najdlhšie a predišli nepotrebnému miňaniu potravín, výrobky rozmiestnite tak, ako je to znázornené na obr. 12. Na obrázku je dodatočne predstavené rozloženie zásuviek, košov a políc, ktoré umožňuje najefektívnejšie využiť energiu spotrebúvanú chladiacim zariadením.

Uchovávaním potravín v náležitých podmienkach a teplote sa predlžuje trvanlivosť a optimalizuje spotreba elektrickej energie. Rozpätie vhodných teplôt sa uvádza na obaloch alebo etiketách potravín.

# ODMRAZOVANIE, UMÝVANIE A ÚDRŽBA

K čisteniu korpusu a umelohmotných častí výrobkov nikdy nepoužívajte rozpušťačlá ani ostré, brusné čistiace prostriedky (napr. prášky alebo krémy na čistenie)! Používajte len tekuté jemné mycie prostriedky a mäkké handričky. Nepoužívajte spongie.

## Odmrazovanie chladničky\*\*\*

- Na zadnej strane chladničky vzniká námraza, ktorá je odstraňovaná automaticky. Behom odmrázovania sa môžu spolu s kondenzátom do otvoru žliabku dostávať nečistoty. Môže to spôsobiť upchatie otvoru. V takom prípade je potreba otvor ľahko pretlačiť čističom trubic (obr. 13).
- Spotrebič pracuje cyklicky: chladí (vtedy sa na zadnej stene tvorí námraza), následovne sa odmrázuje (kondenzát steká po zadnej stene).
- Pred započatím čistenia je treba bezpodmienečne odpojiť spotrebič od napájania vytiahnutím zástrčky zo sieťovej zásuvky, vypnutím lebo vyskrutkovaním poistky. Nie je prípustné, aby sa voda dostala do riadiaceho panelu lebo osvetlenia.
- Ku rozmrazovaniu neodporúčame používať prostriedky v spreji. Môžu spôsobiť vznik výbušných zmesí, obsahovať riedidla, ktoré môžu poškodiť plastové časti spotrebiča a dokonca byť nebezpečné pre zdravie.
- Venujte pozornosť tomu, aby pokiaľ možno voda používaná k umývaniu nestekala odtokovým otvorom do zásobníka odparovania.
- Celý spotrebič s výnimkou tesnenia dverí je treba umyť jemným čistiacim prostriedkom. Tesnenie vo dverách je treba vyčistiť čistou vodou a vytrieť dosucha.
- Je treba dôkladne umyť všetky súčasti výbavy (nádoby na zeleninu, dverné priehradky, sklenené police atd.).

## Odmrazovanie mrazničky\*\*

- Odmrazovanie mraziacej komory sa odporúča spojiť s umývaním výrobku.
- Väčšie nahromadenie ľadu na mraziacich plochách sťažuje prevádzkovú účinnosť spotrebiča a spôsobuje väčšiu spotrebu elektrickej energie.
- Odporúčame odmrázovať spotrebič prinajmenšom raz alebo dva razy do roka. V prípade väčšieho sa nahromadenia ľadu, odmrázovanie vykonávajte častejšie.
- Pokým sa vo vnútri nachádzajú výrobky, je potreba nastaviť otočný gombík do polohy max. asi 4 hodiny pred naplánovaným odmrážením. Zaisť to možnosť uchovávanie výrobkov pri teplote okolia po dlhšiu dobu.
- Po vytiahnutí potravín z mrazničky je potreba vložiť ich do misky, zabaliť do niekoľkých vrstiev novinového papiera, zavinúť do deky a uchovávať na chladnom mieste.
- Odmrazovanie mrazničky musí byť prevedené, pokiaľ je to možné, rýchlo. Dlhšie uchovávanie výrobkov pri teplote okolia skraca dobu ich použiteľnosti.

## **Pre odmrazenie mraziaceho priestoru mrazničky je potreba\*\***

- Vypnite spotrebič pomocou riadiaceho panelu, potom vyjmite zástrčku zo zásuvky.
- Otvorte dverka, vyjmite produkty.
- V závislosti od modelu vysuňte odtokový kanálik nachádzajúci sa v dolnej časti komory mrazničky a pristavte nádobu.
- Dverka ponechajte otvorené, urýchli to proces rozmrazovania. Dodatočne je možné umiestiť v komore mrazničky nádobu s horúcou (ale nie vriacou) vodou.
- Umyte a vysušte vnútro mrazničky.
- Spotrebič uveďte do prevádzky v súlade s príslušným bodom v návode.

## **Automatické odmrazovanie chladničky\*\*\*\***

Chladiaci priestor chladničky bol vybavený funkciou automatického odmrazovania. Predsa však na zadnej stene chladiaceho priestoru chladničky môže vznikáť námraza. Taktá sa prevažne deje, keď sa v chladiacom priestore uchováva veľa čerstvých potravinových výrobkov.

## **Automatické odmrazovanie mrazničky\*\*\*\***

Mraziaci priestor mrazničky bol vybavený funkciou automatického odmrazovania (no-frost). Potraviny sú zmrazované chladiacim systémom obehového vzduchu a vlhkosť z mraziaceho priestoru mrazničky je odvádzaná von. Vo výsledku nevzniká v mrazničke zbytočná námraza a výrobky k sebe neprimirajú.

## **Ručné umývanie komory chladničky a mrazničky\*\*\*\***

Priestor chladničky a mrazničky sa odporúča umyť najmenej jedenkrát za rok. Zabraňuje to vzniku baktérií a neprijemných zápachov. Celý spotrebič je treba vypnúť tlačidlom (1), vytiahnuť výrobky a priestory umyť vodou s prídavkom jemného čistiaceho prostriedku. Napokon priestory vytrieť handričkou.

## **Vytáhovanie a vkladanie políc\*\*\*\*\***

Vysunúť policu a potom vtlačiť na doraz tak, aby zátrepka police zaskočila do výrezu vodiacej lišty (obr. 15)

## **Vytáhovanie a vkladanie priehradky\*\*\*\*\***

Nadvihnúť priehradku, vytiahnuť a nasadiť odhora späť do požadovanej polohy (obr. 16).

V žiadnom prípade sa nesmie dávať do vnútrajšku mrazničky elektrický, fúkací ohrievač ani fén na vlasy.

\*\* Týka sa spotrebičov majúcich komoru mrazenia .

\*\*\* Týka sa spotrebičov s beznámrazovým systémom

Týka sa spotrebičov majúcich komoru chladničky.

\*\*\*\* Týka sa spotrebičov s beznámrazovým systémom

Týka sa spotrebičov vybavených beznámrazovým systémom

\*\*\*\*\* Týka sa mrazničiek

# LOKALIZÁCIA ZÁVAD

Problém	Možné príčiny	Možné riešenia
Spotrebič nefunguje	Prerušený obvod elektrickej inštalácie	<ul style="list-style-type: none"> <li>- skontrolovať, či je zástrčka správne vložená do zásuvky sieťového napájania</li> <li>- zistiť, či nie je poškodený napájací kábel spotrebiča</li> <li>- zistiť, či je v zásuvke napätie – pripojiť druhý spotrebič napr. stolnú lampičku</li> <li>- zistiť, či je spotrebič zapnutý – nastaviť termostat do polohy vyššej než „0“ / „OFF“.</li> </ul>
Nefunguje osvetlenie vnútorného priestoru	Žiarovka nie je dotiahnutá alebo je vypálená (V spotrebičoch so žiarovkou).	<ul style="list-style-type: none"> <li>- skontrolovať predchádzajúci bod "Spotrebič nefunguje" - dotiahnuť alebo vymeniť vypálenú žiarovku (V spotrebičoch so žiarovkou).</li> </ul>
Nepretržitá prevádzka spotrebiča	<p>Nesprávne nastavenie otočného gombíka</p> <p>Ostatné príčiny ako v bode „Spotrebič príliš málo chladí a/lebo mrazí“</p>	<ul style="list-style-type: none"> <li>- pretočiť otočný gombík do nižšej polohy</li> <li>- zistiť podľa predchádzajúceho bodu „Spotrebič príliš málo chladí a/lebo mrazí “</li> </ul>
V dolnej časti chladničky voda	<p>Odtokový otvor vody je upchatý (týka sa spotrebičov s otvorom do odvádzania kondenzátu)</p> <p>Sťažená cirkulácia vzduchu vo vnútri priestoru</p>	<ul style="list-style-type: none"> <li>- vyčistiť odtokový otvor (vid' Návod na obsluhu, kapitola - „Odmrazovanie chladničky“)</li> <li>- uložiť potravinové výrobky a nádoby tak, aby sa nedotýkali zadnej steny chladničky</li> </ul>
Zvuky nevychádzajúce z normálnej prevádzky spotrebiča	<p>Spotrebič nie je správne</p> <p>Spotrebič sa dotýka nábytku a/lebo iných predmetov</p>	<ul style="list-style-type: none"> <li>- správne ustaviť spotrebič</li> <li>- spotrebič postaviť voľne tak, aby sa nedotýkal iných</li> </ul>

<b>Problém</b>	<b>Možné príčiny</b>	<b>Možné riešenia</b>
Spotrebič príliš málo chladí a/nebo mrazí	Nesprávne nastavenie otočného gombíka	- pretočiť otočný gombík do vyššej polohy
	Teplota okolitého prostredia je vyššia alebo nižšia od teploty uvedenej v tabuľke s technickou špecifikáciou spotrebiča	- Spotrebič je prispôbený do práce v teplote, ktorá je uvedená v tabuľke s technickou špecifikáciou spotrebiča.
	Spotrebič stojí na naslnočenom mieste lebo blízko tepelných zdrojov	- zmeniť miesto ustavenia spotrebiča podľa návodu na obsluhu
	Jednorázové naplnenie veľkým množstvom teplých výrobkov	- počkať asi 72 hodín na vychladnutie (zmrazenie) výrobkov a dosiahnutie žiadanej teploty vnútorného priestoru
	Sťažená cirkulácia vzduchu vo vnútri priestoru	- uložiť potravinové výrobky a nádoby tak, aby sa nedotýkali zadnej steny chladničky
	Sťažená cirkulácia vzduchu zo zadnej strany spotrebiča	- odsunúť spotrebič od steny min. 30 mm
	Dvere chladničky/mrazničky sú príliš často otvárané a/lebo ostávajú dlho otvorené	- obmedziť frekvenciu otvárania dverí a/lebo skrátiť dobu, po akú dvere ostávajú otvorené
	Dvere sa nedotvárajú	- výrobky a nádoby uložiť tak, aby nesťažovali zatváranie dverí
Kompresor sa zriedka zapína	- zkontrolujte, či teplota okolitého prostredia nie je menšia ako rozsah klimatickej triedy.	
Zle vloženie tesnenia dverí	- zatlačiť tesnenie	

Počas normálneho používania chladiaceho zariadenia môžu vystupovať rôzne zvuky, ktoré nemajú žiaden vplyv na bezchybnú prácu chladničky.

Zvuky, ktoré sa ľahko odstraňujú:

- hluk, keď chladnička nestojí zvisle - usmernite nastavenia pomocou nastaviteľných nožičiek spredu. Môžete takisto podložiť pod rolky zozadu mäkkú látku, najmä ak dlažka je vykonaná z podlahových dlaždíc
- ložiera sa o susedný nábytok - presuňte chladničku.
- ľskripanie zásuviek alebo poličiek - vyťahnite a opätovne vložte zásuvku alebo poličku.
- Izvuky spôsobené dotýkajúcimi sa fľašami - odsuňte fľaše od seba.

Zvuky, ktoré môžu byť počuteľné počas správnej exploatácie vyplývajú z práce termostatu, kompresora (pripojenie), chladiacej sústavy (scvrkávania a rozširovanie materiálu vplyvom teplotných rozdielov, ako aj prietoku chladiaceho médium).



# Cher Client

À partir d'aujourd'hui les tâches quotidiennes deviennent encore plus faciles. Cet appareil **Amica** combine une facilité d'utilisation exceptionnelle à une efficacité parfaite. Après la lecture du mode d'emploi, l'utilisation de l'appareil ne vous posera aucun problème.

La sécurité et la fonctionnalité de l'équipement sorti d'usine ont été soigneusement vérifiées sur les postes de contrôle avant son emballage.

Prière de lire attentivement le mode d'emploi avant la mise en fonctionnement de l'appareil. Respecter ses indications vous protégera contre toute utilisation incorrecte. Garder le mode d'emploi dans un endroit accessible.

**Respecter les instructions de ce mode d'emploi afin d'éviter des accidents.**

Respectueusement

**Amica**

# CONSIGNES DE SECURITÉ D'UTILISATION

- L'appareil n'est destiné qu'à un usage domestique.
- Le fabricant se réserve le droit d'apporter des modifications qui n'affectent pas le fonctionnement de l'appareil.
- Certaines notes de ce mode d'emploi sont les mêmes pour différents types de produits réfrigérants (réfrigérateurs, réfrigérateurs-congérateurs et congérateurs)
- Le fabricant n'assume aucune responsabilité pour des dommages causés par une utilisation non conforme aux instructions.
- Veuillez garder cette notice dans le but de s'en servir en avenir soit de la transmettre à un éventuel utilisateur future.
- Cet appareil n'est pas conçu pour être utilisé par des personnes (y compris les enfants) à aptitudes physiques, sensorielles ou mentales réduites ainsi que par des personnes manquant d'expérience et de connaissances à moins que cette utilisation s'effectue sous la surveillance ou en accord avec la notice d'utilisation remise par les personnes responsables de la sécurité.
- Veillez à ce que les enfants sans surveillance n'utilisent pas l'appareil. Ne les laissez pas jouer avec l'appareil. Il est interdit qu'ils s'assoient sur les éléments sortants ainsi qu'ils se penchent sur la porte.
- Le frigo congélateur fonctionne convenablement à la température ambiante qui est indiquée dans le tableau des spécifications techniques. Évitez de placer l'appareil dans une cave, un vestibule ou dans un chalet sans chauffage en automne et en hiver.
- Pendant le placement, le déplacement, le soulèvement ne saisissez pas les poignées des portes, ne tirez pas par le réfrigérant à l'arrière du réfrigérateur ainsi que ne touchez pas le groupe compresseur.
- Pendant le transport, le déplacement et le placement, le réfrigérateur/congélateur ne doit pas être basculé de plus de 40° de la ligne verticale. Si pour-



tant une telle situation arrive, laissez l'appareil min. 2 heures après son placement sans le brancher (fig. 2).

- Avant chaque entretien courant débranchez l'appareil. Ne tirez pas par le cordon d'alimentation mais débranchez-le en saisissant la fiche de la prise.
- Les bruits comme des craquements ou des éclatements sont causés par des élargissements et des rétrécissements des pièces résultant des changements de température
- Pour des raisons de sécurité, il ne faut pas dépanner l'appareil de ses propres moyens. Les réparations faites par des personnes non qualifiées dans ce domaine peuvent constituer un danger à la sécurité de l'utilisateur de l'appareil.
- Au cas d'une panne du circuit frigorifique, aérez la pièce où se trouve l'appareil pendant quelques minutes (la pièce doit être au moins de 4m<sup>3</sup> pour le produit du méthylpropane m/R600).
- Il ne faut pas congeler à nouveau les produits une fois décongelés même partiellement.
- Il ne faut pas stocker des boissons en bouteilles et en cannes et surtout des boissons pétillantes dans le compartiment congélateur. Les cannes et les bouteilles risquent d'éclater.
- Éviter le contact des produits sortis directement du congélateur (ex. les glaçons, les glaçons, etc.) avec la bouche. Leur température basse peut causer des gelures graves.
- Faites attention à ne pas détériorer le circuit frigorifique, par ex. par le piquage de canaux du produit frigorifique dans l'évaporateur, la rupture des tuyaux. Le fluide frigorigène jaillissant est inflammable. Au cas du contact du produit avec les yeux, rincez les avec de l'eau propre et immédiatement contactez le médecin.
- Il convient aussi d'éliminer ou de rendre impossible l'usage de la serrure de l'appareil usé afin que les enfants ne puissent pas s'enfermer dans la vieille installation.
- L'appareil est conçu pour stocker la nourriture, ne

- pas l'utiliser à d'autres fins.
- L'appareil doit être complètement débranché de l'alimentation (en retirant la prise d'alimentation) pour effectuer des tâches telles que le nettoyage, l'entretien ou le changement de son emplacement.
- Cet appareil peut être utilisé par des enfants âgés de 8 ans ou plus, par des personnes avec des capacités motrices, sensorielles ou mentales réduites et par des personnes dénuées d'expérience ou de connaissance de l'équipement uniquement si elles se trouvent sous surveillance et qu'elles aient été instruites auparavant au sujet de l'exploitation de l'appareil de façon sûre et qu'elles connaissent les dangers liés à l'exploitation de l'appareil. Les enfants ne devraient pas jouer avec l'appareil. Le nettoyage et la maintenance de l'appareil ne devraient pas être effectués par des enfants à moins qu'ils n'aient fini leurs 8 ans et ne soient surveillés par une personne appropriée.
- Afin d'obtenir plus d'espace dans le congélateur, retirez les tiroirs et placez vos produits directement sur les étagères. Cela n'a aucun effet sur les paramètres thermiques et mécaniques de l'appareil. Le volume utile du congélateur a été calculé sans les tiroirs



MISE EN GARDE : Risque d'incendie /  
matières inflammables

- Les enfants de 3 à 8 ans peuvent placer et retirer des produits de l'appareil de réfrigération.

Pour éviter la contamination des aliments, suivre les consignes suivantes :

- L'ouverture prolongée de la porte peut augmenter la température dans les compartiments de l'appareil.
- Nettoyer régulièrement les surfaces qui entrent en contact avec les aliments et, selon l'accessibilité, les installations d'évacuation de l'eau.
- Conserver la viande crue et le poisson dans des récipients adaptés dans le réfrigérateur, pour qu'ils n'entrent pas en contact avec les autres aliments et

pour qu'ils ne s'égouttent pas dessus.

- Les compartiments deux étoiles servent à conserver dans le congélateur des aliments surgelés et à conserver et congeler la glace et les glaçons.
- Les compartiments une, deux ou trois étoiles ne servent pas à congeler des aliments frais.

	Types de compartiments	Température de conservation cible [°C]	Aliments adaptés
1	Réfrigérateur	+2≤+8	Œufs, aliments cuits, aliments emballés, fruits et légumes, produits laitiers, pâtisseries, boissons et autres aliments qui ne sont pas destinés à la congélation.
2	Congélateur ❄️***	≤-18	Fruits de mer (poisson, crevettes, moules), produits d'eau douce et à base de viande (3 mois recommandés, plus longtemps les produits sont conservés, moins savoureux et nutritifs ils sont), adapté pour les produits frais congelés.
3	Congélateur ***	≤-18	Fruits de mer (poisson, crevettes, moules), produits d'eau douce et à base de viande (3 mois recommandés, plus longtemps les produits sont conservés, moins savoureux et nutritifs ils sont), inadapté pour les produits frais congelés.
4	Congélateur **	≤-12	Fruits de mer (poisson, crevettes, moules), produits d'eau douce et à base de viande (2 mois recommandés, plus longtemps les produits sont conservés, moins savoureux et nutritifs ils sont), inadapté pour les produits frais congelés.
5	Congélateur *	≤-6	Fruits de mer (poisson, crevettes, moules), produits d'eau douce et à base de viande (1 mois recommandé, plus longtemps les produits sont conservés, moins savoureux et nutritifs ils sont), inadapté pour les produits frais congelés.
6	Compartiment sans étoile	-6≤0	Viande de porc, de bœuf fraîche, poisson, poulet, certains aliments traités emballés, etc. (il est recommandé de consommer le même jour, le mieux dans les 3 jours au maximum). Produits traités emballés partiellement (produits qui ne sont pas adaptés à la congélation)
7	Compartiment pour denrées hautement périssables	2≤+3	Viande de porc, de bœuf fraîche/congelée, poulet, produits d'eau douce, etc. (7 jours au-dessous de 0°C, au-dessus de 0°C il est recommandé de consommer le même jour, le mieux dans les 2 jours au maximum). Fruits de mer (au-dessous de 0°C pendant 15 jours, il est déconseillé de conserver ces aliments à une température supérieure à 0°C)

8	Compartiment de stockage de denrées alimentaires fraîches	0 ≤ +4	Viande de porc, de bœuf fraîche, poisson, poulet, aliments cuits, etc. (il est recommandé de consommer le même jour, le mieux dans les 3 jours au maximum).
9	Compartiment de stockage du vin	+5 ≤ +20	Vin rouge, blanc, effervescent, etc.

- Attention : conserver les produits selon les recommandations pour les compartiments ou selon les températures indiquées pour les produits donnés.
- Si l'appareil de réfrigération n'est pas utilisé et reste vide pendant une longue période, l'éteindre, le décongeler, le laver, le sécher et laisser sa porte ouverte pour éviter la formation de moisissure à l'intérieur.
- Nettoyage du distributeur d'eau (pour les produits avec le distributeur d'eau) : Nettoyer le réservoir d'eau, s'il n'a pas été utilisé pendant 48 heures ; si l'eau n'a pas été déversée pendant 5 jours, rincer l'installation d'eau raccordée au réseau de distribution d'eau.
- La période minimale où les pièces de rechange indispensables à la réparation de l'appareil sont accessibles est de 7 à 10 ans, selon le type et la destination de la pièce de rechange. Cette période est conforme au règlement (UE) 2019/2019 de la Commission.
- La liste des pièces de rechange et la procédure de commande sont disponibles sur les sites web du fabricant, de l'importateur ou du représentant agréé.
- Retrouvez plus d'informations sur le produit dans la base de données européenne EPREL à l'adresse <https://eprel.ec.europa.eu>. Vous pouvez obtenir les informations en scannant le code QR de l'étiquette énergétique ou un saisissant le modèle du produit de l'étiquette énergétique dans le moteur de recherche EPREL <https://eprel.ec.europa.eu/>

# INSTALLATION ET CONDITIONS DE FONCTIONNEMENT DE L'APPAREIL

Cet appareil de réfrigération n'est pas destiné à être utilisé comme un appareil intégrable

## Installation avant la première mise en marche

- Déballer l'appareil, enlever les bandes adhésives protégeant les portes et l'équipement (4). Les éventuels restes du col peuvent être enlevés avec un détergent délicat.
- Garder les éléments en mousse de polystyrène. Au cas de nécessité du retransport du réfrigérateur/congélateur, emballer-le de la mousse de polystyrène et du film ainsi que protéger-le avec la bande adhésive.
- Laver l'intérieur du réfrigérateur et du congélateur ainsi que les autres éléments de l'équipement avec de l'eau tiède avec du produit lave vaisselle et ensuite essuyer et sécher.
- Placer votre réfrigérateur/congélateur à niveau et en position stable à un sol solide, dans une pièce sèche, régulièrement aérée et non ensoleillée loin des sources de chaleur comme la cuisinière, le radiateur du chauffage central, le tuyau du chauffage central, l'installation de l'eau chaude, etc.
- Le film de protection qui peut recouvrir l'appareil le doit être retiré.
- Placer l'appareil à niveau en visant 2 pieds réglables à l'avant (fig. 3)
- Afin d'assurer une ouverture facile de la porte, la distance entre la paroi latérale de l'appareil (du côté des charnières) et la paroi de la pièce est illustrée sur la figure 5.\*
- Assurez une ventilation convenable de la pièce ainsi que la libre circulation de l'air de tous les côtés de l'appareil (fig. 6).\*

## Les distances minimums des sources de chauffage

- des cuisinières électriques, à gaz et autres - 30 mm,
- des poêles à fuel ou à charbon - 300 mm,
- des fours de cuisine encastrables - 50 mm

S'il n'est pas possible de respecter les distances ci-dessus mentionnées, utilisez une plaque d'isolation.

### Attention:

- La paroi arrière du réfrigérateur et surtout le réfrigérant et les autres éléments du circuit frigorifique ne peuvent pas rester en contact avec les autres éléments qui peuvent causer des endommagements et surtout (avec le tuyau du chauffage central et la tube d'amenée d'eau).
- Il est interdit de manipuler d'une façon quelconque des pièces d'agregat. Prenez les mesures de ne pas endommager la tube capillaire visible dans la cavité pour le compresseur. Cette tube ne peut pas être fléchi, redressée ni enroulée.
- L'endommagement de la tube capillaire par l'utilisateur le prive du droit de garantie (fig. 8).
- Pour certains modèles au choix, la poignée non fixée doit être récupérée à l'intérieur de l'armoire, puis vissée sur la porte avec son propre tournevis.

## Raccordement au réseau électrique

- Avant le branchement, il est recommandé de régler la molette du thermostat sur la position „OFF” ou toute autre position provoquant la déconnexion de l'appareil de l'alimentation électrique (voir la page avec description des commandes),
- L'appareil doit être branché au réseau du courant alternatif 220-240V, 50Hz au moyen d'une prise murale correctement installée, mise à la terre et protégée par un coupe-circuit de 10 A.
- La mise à la terre de l'appareil est recommandée par la loi. Le fabricant renonce à une responsabilité quelconque à titre des endommagements éventuels qui peuvent subir les personnes ou les objets suite à ne pas remplir cette obligation imposée par cette règle.
- Il ne faut pas utiliser de raccords adaptatifs, de prises multiples (répartiteurs), de rallonges deux fils. S'il y a la nécessité d'utiliser un rallonge, il est permis d'utiliser qu'un rallonge avec un rouleau de sécurité, à prise unique ayant une attestation de sécurité VDE/GS.
- Au cas d'utilisation d'un rallonge (avec le rouleau de sécurité, ayant le signe de sécurité), sa prise doit être placée à une distance sûre des éviers et ne peut pas être exposée à être submerger de l'eau ainsi que des autres égouts.
- AVERTISSEMENT: Ne pas placer de socles mobiles de prises multiples ni de blocs d'alimentation portables à l'arrière de l'appareil
- AVERTISSEMENT: Lors du positionnement de l'appareil, s'assurer que le cordon d'alimentation n'est pas coincé ni endommagé.
- Les données se trouve sur la plaque signalétique placée en bas de la paroi à l'intérieur du compartiment réfrigérateur\*\*.

## Mise hors circuit

Il faut assurer la possibilité de débrancher l'appareil par le retrait de la fiche ou par l'éteint de l'interrupteur bipolaires (fig. 9)

## Classe climatique

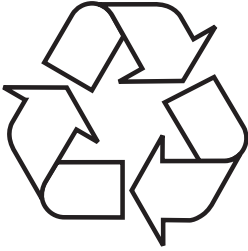
L'information sur la classe climatique de l'appareil se trouve sur la plaque signalétique. Il indique la température ambiante (c'est-à-dire de la pièce dans laquelle il fonctionne) du fonctionnement optimal (correct) de l'appareil.

Classe climatique		Température ambiante admissible
SN	tempérée élargie	l'appareil réfrigérant est destiné à une utilisation à une plage de températures comprise entre 10 °C et 32 °C
N	tempérée	l'appareil réfrigérant est destiné à une utilisation à une plage de températures comprise entre 16 °C et 32 °C
ST	subtropicale	l'appareil réfrigérant est destiné à une utilisation à une plage de températures comprise entre 16 °C et 38 °C
T	tropicale	l'appareil réfrigérant est destiné à une utilisation à une plage de températures comprise entre 16 °C et 43 °C

\* Ne concerne pas les appareils encastrables

\*\* Existe selon le modèle

# DÉBALLAGE



Pour son transport, l'appareil a été emballé afin de le protéger contre les endommagements. Après déballage de l'appareil, prière d'éliminer les éléments de l'emballage d'une façon non nuisible à l'environnement. Tous les matériaux utilisés pour l'emballage sont inoffensifs pour l'environnement et recyclables à 100% (ils sont marqués par un symbole approprié)

Attention! Lors du déballage, garder les matériaux d'emballage (petits sacs polyéthylène, morceaux de polystyrène, etc.) hors de portée des enfants.

# ÉLIMINATION DES APPAREILS USAGÉS



Cet appareil est marqué par le symbole du conteneur à déchets, rayé, conformément à la Directive Européenne 2012/19/CE. Ce symbole signale que le produit, après sa période d'utilisation, ne pourra pas être éliminé avec d'autres déchets ménagers.

L'utilisateur est obligé de le rendre à un point de collecte des appareils électriques et électroniques usagés. De tels points de collecte sont mis en place par les communes, certains magasins et entreprises de ramassage des déchets.

Respecter les règles d'élimination des appareils électriques et électroniques permet d'éviter des conséquences nuisibles à la santé humaine et à l'environnement naturel, à cause de la possibilité de présence de constituants dangereux ou de transformations inappropriées à ce type d'appareil.



# UTILISATION ET FONCTIONS

## Conservation des denrées dans le réfrigérateur


- Mettez les produits sur des assiettes, dans des récipients ou emballés dans un film alimentaire. Disposez uniformément sur la surface des clayettes.
- Il convient d'attirer attention sur le fait que les produits alimentaires ne doivent pas entrer en contact avec la paroi arrière. Cela peut causer du givre ou de l'humidité sur les produits.
- Ne mettez pas au réfrigérateur des récipients d'aliments encore chaud.
- Les produits prenant rapidement des odeurs étrangères comme le beurre, le lait, le fromage blanc ainsi que ceux qui ont une odeur intensive comme par ex. les poissons, la charcuterie, les fromages doivent être mis au réfrigérateur emballés dans un film ou dans des récipients hermétiquement fermés.
- Le stockage des légumes contenant une grande quantité d'eau peut causer le dépôt de buée au-dessus des bacs à légumes; cela ne dérange pas le fonctionnement régulier du réfrigérateur.
- Avant l'introduction des légumes dans le réfrigérateur, il convient de bien les sécher.
- Un niveau d'humidité trop élevé diminue le temps de conservation des légumes surtout des légumes feuilles.
- Il convient de conserver les légumes non lavés. Le lavage enlève une protection naturelle c'est pourquoi il est préférable de laver des légumes tout juste avant la consommation.
- Il est permis de ranger les produits dans les paniers (tiroirs) 1, 2,3\* (voir fig. 11a / 11b).\*\*

1. Les produits emballés
2. Plateau de l'évaporateur / tablette
3. Limite naturelle de chargement
4. ✖\*\*\*

- Il est possible de poser des produits sur les grilles de l'évaporateur du congélateur.\*
- Il est possible de retirer les produits sur l'étagère de 20-30 mm de la limite naturelle de chargement.\*\*
- Il est possible de retirer le panier inférieur pour augmenter la surface de chargement et poser les produits au fond de la chambre jusqu'à la hauteur maximale.\*

## Congélation des produits\*\*


- Il est permis de congeler pratiquement tous les produits alimentaires à l'exception des légumes consommés crus comme par ex. la salade verte.
- Pour une meilleure congélation, il est recommandé d'utiliser des produits extra frais et de les congeler en petite portion.
- Il convient d'emballer les produits dans des matériaux sans odeur, résistants à la pénétration de l'air et d'humidité ainsi qu'insensibles aux matières grasses. Les emballages les plus appropriés sont: les sachets, les feuilles du film en polyéthylène, du film aluminium.
- L'emballage doit être hermétique et bien adhérent aux produits congelés. Les emballages en verre sont déconseillés.
- Les produits alimentaires frais (à température ambiante), mis dans le but d'être congelés ne doivent pas rester en contact avec les produits déjà congelés auparavant.

- Il est déconseillé de mettre dans le congélateur, en une fois par 24 heures, plus de nourriture fraîche que mentionné dans le tableau de spécification technique de l'appareil.
- Afin de garder une bonne qualité des produits congelés, il est conseillé de regrouper les produits congelés dans la partie centrale du congélateur de telle façon qu'ils ne restent pas en contact avec des produits encore non congelés.
- Nous conseillons de déplacer les portions congelées vers un côté du compartiment congélateur et mettre les portions fraîches à congeler du côté opposé en les poussant au maximum vers la paroi arrière latérale.
- Pour congeler les produits, utiliser un congélateur marqué \*\*\*.
- Il faut se rappeler que la température du compartiment réfrigérateur est influencée entre autres par: la température ambiante, le niveau de chargement des denrées, la fréquence d'ouverture de la porte, le niveau de givrage, la mise au point de thermostat.
- Si une difficulté d'ouvrir la porte du compartiment réfrigérateur se présente tout juste après sa fermeture, nous vous conseillons d'attendre 1 à 2 minutes jusqu'à ce que la dépression qui s'y est formée soit compensée.


Le temps de conservation des produits congelés dépend de leur qualité à l'état frais avant congélation ainsi que de la température de conservation. En conservant la température inférieure ou égale à -18°C les périodes de conservation suivantes sont conseillées:


Produits	Mois
Boeuf	6-8
Veau	3-6
Abats	1-2
Porc	3-6
Volaille	6-8
OEufs	3-6
Poissons	3-6
Légumes	10-12
Fruits	10-12

Le compartiment de refroidissement rapide ne sert pas à l'entreposage de nourriture surgelée. Il est possible de produire et d'entreposer uniquement des glaçons dans ce compartiment.

Attention : Si l'appareil ne possède pas de compartiment \*\*\*, ceci signifie que l'appareil réfrigérant n'est pas adapté aux besoins de congélation des produits alimentaires.

\* Concerne les appareils avec une chambre de congélation dans la partie inférieure de l'équipement

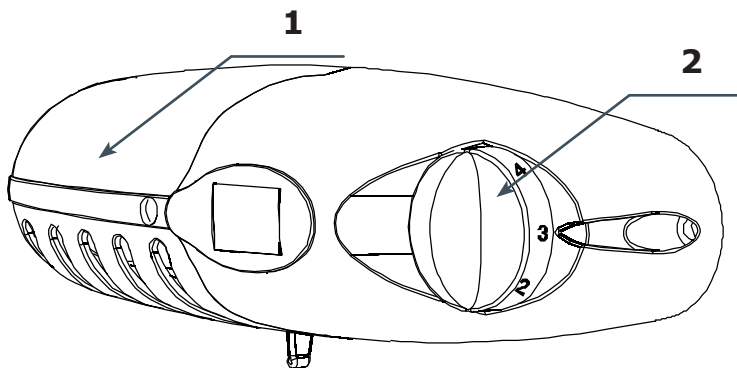
\*\* Concerne les appareils possédant une chambre de congélation \*\*\*

\*\*\* Ne concerne pas les appareils équipés en chambres de congélation marquées par le symbole \*\*\*

# COMMANDE

## Commande de l'appareil

Le panneau de commande est présenté sur le dessin 10, pour rappel, il est présenté également ci-dessous :



- 1 - Éclairage
- 2 - Thermostat

## Réglage de la température à l'intérieur de l'appareil

En tournant le sélecteur, vous changez la température dans l'appareil :

Position OFF/0 Appareil éteint

Position 1 La température la moins froide est réglée dans l'appareil (la chaleur est plus grande à l'intérieur)

Positions 2-6 Une température moyenne est réglée dans l'appareil

Position 7 La température la plus froide est réglée dans l'appareil (il fait plus froid à l'intérieur)

### Attention :

- Le sélecteur du thermostat peut avoir une graduation différente que celle présentée dans cette description. Le principe de fonctionnement général est expliqué ci-dessus.
- Si le sélecteur de votre appareil ne possède pas la position « OFF » ou « 0 », l'appareil peut être complètement éteint en le débranchant par le câble d'alimentation. Avant de le débrancher, régler la plus petite valeur sur le thermostat.

## Informations supplémentaires sur la température

- La température à l'intérieur de l'appareil dépend de différents facteurs . Le réglage dépend entre autres de la température ambiante, du niveau d'ensoleillement, de la fréquence d'ouverture de la porte de l'appareil, de la quantité d'aliments. Le réglage sur la valeur moyenne est dans la plupart des cas le plus optimal.
- Après la mise en fonctionnement de l'appareil, une attente est nécessaire avant le stockage de denrées (min. 4 h)
- Toute élévation de la température ambiante est détectée par une sonde externe qui déclenche la mise en route du compresseur pendant un laps de temps supérieur à la phase d'inertie thermique, ce qui permet de maintenir l'intérieur de l'armoire à la température voulue. De ce fait, le réglage manuel de la température en fonction des saisons est inutile.
- Des légers changements de température interne de l'appareil peuvent survenir par exemple après le stockage de grandes quantités de produits frais, voire l'ouverture de la porte pendant un certain temps. Ce phénomène qui n'a rien d'anormal, n'a aucune incidence sur les produits alimentaires, l'armoire une fois fermée retrouvant rapidement sa température de consigne.

## ÉCLAIRAGE

Ce chapitre concerne les appareils qui possèdent des sources lumineuses à incandescence et les appareils avec éclairage LED (ampoules avec culot E14).

### Remplacement de l'éclairage

- Régler le sélecteur sur la position « OFF » et retirer ensuite, la fiche de la prise d'alimentation.
- Démonter le cache de l'ampoule et le retirer (Des. 18).
- Remplacer l'ampoule par une autre qui possèdent les mêmes caractéristiques que celle installée en usine (220-240V, vis E14, dimensions maximales de l'ampoule: diamètre - 26 mm, longueur 55 mm).
- Remettre le cache de l'ampoule.
- Ne faut pas utiliser d'ampoules d'une puissance inférieure ou supérieure, utiliser uniquement des ampoules avec les caractéristiques indiquées ci-dessus.

Attention :

- L'éclairage utilisé ne peut pas être utilisé pour l'éclairage des pièces d'habitation.
- Si le dessin désigné par le numéro 18 n'est pas présent dans ce mode d'emploi, l'éclairage peut être changé uniquement par un technicien du service habilité.

# COMMENT EXPLOITER LE RÉFRIGÉRATEUR DE FAÇON ÉCONOMIQUE?

## Conseils pratiques

- Ne pas placer le réfrigérateur ni le congélateur près des radiateurs, des fours ou risquer une influence directe des rayons du soleil.
- S'assurer que les cavités du condenseur à l'arrière ne sont pas obstruées. Les nettoyer et dépolluer une ou deux fois par an.
- Choisir une température appropriée: une température de 4°C dans le réfrigérateur ainsi que de -18°C dans le congélateur est suffisante.
- Il ne faut ouvrir la porte du réfrigérateur ou du congélateur qu'en cas de nécessité. Il est bon à savoir quelle nourriture est conservée dans le réfrigérateur ainsi que savoir précisément où elle se trouve. Il faut remettre le plus vite possible les produits non-utilisés dans le réfrigérateur ou dans le congélateur avant qu'elle ne se réchauffe.
- Nettoyez régulièrement l'intérieur du réfrigérateur à l'aide d'un tissu imbibé d'un détergent doux. Les appareils ne possédant pas de fonction de dégivrage automatique devront être régulièrement dégivrés. Ne pas permettre la formation d'une couche de givre d'une épaisseur de plus de 10 mm.
- Maintenez propre le joint autour de la porte, autrement la porte risque de ne pas se fermer complètement. Il faut toujours remplacer les joints endommagés.

## Que veulent dire les étoiles?



Une température d'au moins -6°C suffit pour stocker les aliments surgelés pendant environ 2-3 jours. On rencontre le plus souvent des tiroirs ou compartiments ayant le symbole de l'étoile dans les réfrigérateurs bon marché.



On peut stocker les aliments dans une température de -12°C pendant 1 mois sans risquer qu'ils perdent leur goût. Cette température n'est pas suffisante pour congeler les aliments.



Permet de stocker des aliments déjà congelés pendant 1 an maximum; mais ne permet PAS de congeler des aliments frais.



Cet appareil convient à stocker des aliments dans une température en-dessous de -18°C et de congeler de plus grandes quantités d'aliments.

## Zones de stockage dans le réfrigérateur

En raison de la circulation normale de l'air, le caisson du réfrigérateur contient différentes zones de température.

- La zone la plus froide se trouve directement au-dessus du tiroir à légumes. Il faut conserver dans cette zone des aliments délicats et facilement pourrissables, tels que:
  - Les poissons, la viande, la volaille,
  - Les charcuteries, les plats préparés,
  - Les plats ou produits cuits contenant des œufs ou de la crème,
  - De la pâte fraîche, des mélanges de gâteaux,
  - Des légumes emballés et autres aliments frais ayant une étiquette suggérant que ces aliments doivent être maintenus dans une température approximative de 4°C.
- La zone la plus chaude se trouve dans la partie haute de la porte. Utilisez ce secteur pour y conserver du beurre et du fromage.

## Produits qui ne devraient pas être stockés dans le réfrigérateur

- Certains aliments ne doivent pas être conservés dans le réfrigérateur. Ce sont:
  - Les fruits et légumes sensibles aux basses températures, comme par exemple les bananes, l'avocat, la papaye, le fruit de la passion, les aubergines, les poivrons, les tomates et les concombres,
  - Les fruits qui ne sont pas encore mûrs,
  - Les pommes de terre

Attention:

Exemple de gestion des produits congelés (fig. 12)

Pour assurer la meilleure conservation des aliments pendant longtemps et éviter leur gaspillage, disposer les produits comme montré sur la Fig. 12. De plus, la figure montre la disposition des compartiments, des tiroirs et des clayettes qui permet l'utilisation la plus efficace de l'énergie par l'appareil.

La conservation des produits alimentaires dans des conditions et une température adaptées prolonge leur limite de consommation et optimise la consommation d'énergie électrique. Les plages de températures devraient être indiquées sur les emballages et les étiquettes des produits alimentaires.

# DÉGIVRAGE, NETTOYAGE ET CONSERVATION

Pour le nettoyage du châssis et des pièces en plastique ne jamais utiliser de solvants ni de produits de nettoyage agressifs et abrasifs (par exemple des poudres ou des crèmes de nettoyage)! Utiliser uniquement des produits de nettoyage liquides délicats et des torchons doux. Ne pas utiliser le côté abrasive des éponges.

## Dégivrage du réfrigérateur\*\*\*

- Le givre qui se forme sur la paroi arrière s'élimine automatiquement. Pendant le dégivrage, les impuretés peuvent pénétrer dans l'orifice de la gouttière avec de l'eau condensée. Ce qui peut entraîner le blocage de l'orifice. Dans ce cas il convient de déboucher délicatement le trou avec une broche de poussée (fig. 13).
- L'appareil fonctionne cycliquement: réfrigère (alors que le givre s'installe sur la paroi arrière) ensuite se dégivre (les gouttes ruissellent sur la paroi arrière).
- Avant le nettoyage, il convient de déconnecter absolument l'appareil du circuit alimentation en débranchant la fiche de la prise de courant. Veillez à ce que l'eau ne s'introduise pas dans le panneau de commande ou dans le système d'éclairage.
- N'utilisez pas pour le dégivrage de substances en aérosol. Elles peuvent causer la formation de mélanges explosifs, contenir des dissolvants pouvant endommager les parties en plastique de l'appareil jusqu'à même être dangereux pour la santé.
- Il convient de veiller à ce que l'eau utilisée pour le nettoyage ne s'introduise pas dans le récipient d'évaporation par l'orifice d'évacuation.
- En dehors des joints sur la porte, il convient de nettoyer l'appareil entier avec les détergents délicats. Lavez les joints sur la porte à l'eau tiède et essuyez à sec.
- Il convient de nettoyer convenablement tous les équipements internes (bacs à légumes, balconnets, clayettes en verre etc.).

## Dégivrage du congélateur\*\*

- Il est conseillé de dégivrer le compartiment congélateur en même temps que le nettoyage de l'appareil.
- Une forte accumulation de la couche de glace sur les surfaces de congélation diminue le rendement de l'appareil ce qui entraîne une augmentation de consommation de l'énergie électrique.
- Il est conseillé de dégivrer l'appareil au moins une ou deux fois par an. En cas d'une importante accumulation de glace, le dégivrage doit être effectué plus souvent.
- Si à l'intérieur de l'appareil se trouvent des aliments, il convient de positionner le sélecteur rotatif sur la position maximale à peu près 4 heures avant la décongélation. Ceci garantit la possibilité de conservation des produits alimentaires à la température ambiante pendant une durée plus longue.
- Après avoir sorti les aliments du congélateur il convient de les mettre dans un sac isotherme, une glacière ou bien en les enveloppant de plusieurs couches de papier journal et ensuite les conserver dans un endroit frais.
- Le dégivrage du congélateur doit être réalisé le plus vite possible. Une conservation de longue durée des produits dans la température ambiante raccourci le délai de consommation.

## **Mode opératoire pour le dégivrage du coffre du congélateur:\*\*\***

- Éteindre l'appareil à l'aide du panneau de commande, puis retirer la fiche de la prise.
- Ouvrir la porte, puis extraire les denrées.
- En fonction du modèle, retirer le canal de drainage qui se trouve dans la partie inférieure de la chambre du congélateur et placer un récipient.
- Laisser la porte ouverte, cela accélérera le processus de décongélation. En plus, il est possible de mettre un récipient avec de l'eau chaude (mais pas bouillante) dans la chambre du congélateur
- Laver l'intérieur du coffre puis laisser sécher.
- Remettre l'appareil en marche en respectant la procédure précisée dans les instructions.

## **Dégivrage automatique du réfrigérateur\*\*\*\***

Le compartiment réfrigérateur est équipé de la fonction de dégivrage automatique. Cependant du givre peut se créer sur la paroi arrière du compartiment réfrigérateur. Ceci se passe habituellement lorsque une grande quantité de produits alimentaires frais est conservée dans le compartiment réfrigérateur.

## **Dégivrage automatique du congélateur\*\*\*\***

Le compartiment congélateur est équipé de la fonction de dégivrage automatique (no-frost). Les denrées alimentaires sont congelées par un système de réfrigération par circulation d'air et l'humidité du compartiment congélateur évacuée à l'extérieur. En conséquence dans le congélateur ne se forme pas un superflu de dépôt de givre et les produits ne se collent pas entre eux.

## **Lavage à main du compartiment réfrigérateur et congélateur\*\*\*\***

Il est recommandé de laver au moins une fois par an le compartiment réfrigérateur et congélateur. Cette opération empêche la formation des bactéries et des odeurs désagréables. Il convient de mettre hors circuit l'appareil entier par la touche (1), sortir des compartiments les produits et laver à l'eau tiède et au détergent délicat. Essuyer les compartiments avec un chiffon.

## **Enlèvement et mise en place des clayettes \*\*\*\*\***

Sortir les clayettes et ensuite faire glisser jusqu'à ce que le verrou de sûreté des clayettes se trouve dans la glissière voulue (fig. 15).

## **Enlèvement et mise en place du balconnet \*\*\*\*\***

Soulever le balconnet, sortir et remettre en place à partir du haut à la position désirée (fig. 16).

Dans aucun cas il n'est pas permis de placer à l'intérieur du congélateur un accumulateur électrique de chaleur, de soufflage, ni un sèche-cheveux.

\*\*\* Concerne les appareils possédant une chambre de congélation ❄️\*\*\*

\*\*\* Ne concerne pas les appareils avec un Système sans Givre  
Concerne les appareils possédant une chambre de congélation.

\*\*\*\* Ne concerne pas les appareils avec un Système sans Givre

\*\*\*\* Concerne les appareils équipés en Système sans Givre

\*\*\*\* Ne concerne pas les congélateurs



# LOCALISATION DES PANNES

Anomalie	Cause	Dépannage
L'appareil ne fonctionne pas	La coupure dans le circuit de l'installation électrique	<ul style="list-style-type: none"> <li>- vérifiez si la fiche a été branchée correctement dans la prise du réseau d'alimentation</li> <li>- vérifiez si le câble d'alimentation de l'appareil n'est pas endommagé</li> <li>- vérifiez si en branchant un autre appareil par ex. une lampe de nuit la tension de prise de courant existe</li> <li>- vérifiez si l'appareil est mis en circuit par l'intermédiaire du thermostat en position supérieure à 0 / OFF</li> </ul>
L'éclairage interne du compartiment ne fonctionne pas	La lampe est desserrée dans la douille ou grillée (dans les appareils avec éclairage par lampe incandescente)	<ul style="list-style-type: none"> <li>- vérifier le point précédent „L'appareil ne fonctionne pas” - resserrer l'ampoule dans la douille, ou alors changer d'ampoule si elle est grillée (dans les appareils avec éclairage par lampe incandescente).</li> </ul>
Le fonctionnement continu de l'appareil	<p>Un mauvais placement du sélecteur rotatif</p> <p>Autres causes comme au point „L'appareil réfrigère et/ou congèle très faiblement”</p>	<ul style="list-style-type: none"> <li>- déplacez le sélecteur rotatif dans position plus basse</li> <li>- Vérifiez suivant le point „L'appareil réfrigère et/ou congèle très faiblement”</li> </ul>
De l'eau s'accumule sur la partie inférieure du réfrigérateur	<p>Le canal de déryation de l'eau est obstrué</p> <p>La circulation d'air rendu plus difficile à l'intérieur du compartiment</p>	<ul style="list-style-type: none"> <li>- nettoyez l'orifice bouché (voir la notice d'utilisation chap. - „Dégivrage du réfrigérateur”)</li> <li>- rangez les produits alimentaires et les récipients d'une telle façon qu'ils ne touchent pas la paroi arrière du réfrigérateur</li> </ul>
Les bruits anormaux de l'appareil	<p>Manque de mise à niveau de l'appareil</p> <p>L'appareil reste en contact avec les meubles et/ou avec d'autres objets</p>	<ul style="list-style-type: none"> <li>- mettez l'appareil à niveau</li> <li>- positionnez l'appareil librement d'une telle façon qu'il ne touche pas d'autres objets</li> </ul>

Anomalie	Cause	Dépannage
L'appareil réfrigère et/ou congèle très faiblement	Un mauvais placement du sélecteur rotatif	- déplacez le sélecteur rotatif à la position supérieure
	Température ambiante est supérieure ou inférieure à celle indiquée dans les spécifications techniques de l'appareil.	L'équipement électroménager est conçu pour fonctionner à une température donnée, cette température étant précisée dans les spécifications techniques de l'appareil.
	L'appareil se trouve dans un endroit ensoleillé ou à proximité d'une source de chaleur	- changez l'emplacement de l'appareil suivant le notice d'utilisation
	Le chargement de grande quantité de produits chauds au même moment	- attendez jusqu'à 72 heures de réfrigération (congélation) des produits jusqu'à l'atteinte de la température exigée à l'intérieur du compartiment
	La circulation d'air rendu plus difficile à l'intérieur du compartiment	- rangez les produits alimentaires et les récipients d'une telle façon qu'ils ne touchent pas la paroi arrière du réfrigérateur
	La circulation d'air rendu plus difficile à l'arrière de l'appareil	- éloignez l'appareil du mur à une distance de 30 mm minimum
	Le dépôt excessif de givre sur les éléments de congélation	- décongelez le compartiment congélateur
	La porte du réfrigérateur/du congélateur, l'utilisation ouverte trop fréquemment ou trop longtemps	- diminuez la fréquence d'ouverture de la porte et/ou raccourcissez le temps d'ouverture de la porte
	La porte ne se ferme pas complètement	- placez les produits et les récipients d'une telle façon qu'ils ne rendent pas difficile la fermeture de la porte
	Le compresseur s'enclenche rarement	- vérifiez si la température ambiante ne se situe pas sous la limite inférieure de la classe climatique de l'appareil.
Un mauvais placement du joint d'étanchéité de la porte	- enfoncez le joint	

Durant l'utilisation normale du réfrigérateur peuvent apparaître différentes sortes de sons qui n'ont pas d'influence sur l'amélioration du travail du réfrigérateur.

Les sons qu'il est facile à éliminer :

- le bruit quand le réfrigérateur n'est pas posé verticalement – régler la position à l'aide de pieds à vis éventuellement mettre sous le rouleau derrière
- frottement contre d'autres meubles – déplacer le réfrigérateur.
- grésillement des tiroirs ou des étagères – enlever et remettre sur place le tiroir ou les étagères.
- bruits provenant des bouteilles qui se touchent – éloigner les bouteilles.

Les sons qui peuvent être entendus lors d'une utilisation normale résultent du travail du thermostat, du compresseur (mise en marche), du système de refroidissement (rétrécissement et élargissement du matériau sous l'influence des différences de températures et de la circulation du facteur refroidissant).



# Beste klant

Vanaf vandaag zijn de dagelijkse klusjes eenvoudiger dan ooit tevoren. Het apparaat **Amica** is een combinatie van uitzonderlijk bedieningsgemak en perfecte effectiviteit. Na het lezen van de gebruiksaanwijzing kent de bediening voor u geen geheimen meer.

Ieder apparaat dat de fabriek verlaat is vóór het inpakken op controleplekken grondig gecontroleerd op veiligheid en functionaliteit.

Wij vragen u deze gebruiksaanwijzing zorgvuldig door te lezen voordat u het apparaat inschakelt. Naleving van de aanwijzingen die erin zijn opgenomen beschermt u tegen onjuist gebruik. Bewaar de gebruiksaanwijzing en zorg dat u hem altijd binnen handbereik heeft.

**Volg de gebruiksaanwijzing nauwkeurig op om ongevallen te voorkomen.**

Hoogachtend

**Amica**

# AANWIJZINGEN BETREFFENDE VEILIGHEID VAN GEBRUIK

- Het apparaat is uitsluitend bestemd voor huishoudelijk gebruik.
- De producent behoudt zich het recht voor om wijzigingen aan te brengen die het gebruik van het apparaat niet beïnvloeden.
- Sommige opmerkingen in deze gebruiksaanwijzing zijn hetzelfde voor de verschillende typen koelapparatuur, (voor koelkasten, koel-vrieskasten of diepvriezers). U vindt informatie over het type van uw apparaat op de productkaart die is meegeleverd met het product.
- Producent steelt zich niet verantwoordelijk voor de schade die uit het niet nagaan van de aanwijzingen van deze gebruiksaanwijzing voortvloeit.
- Wij adviseren deze gebruiksaanwijzing zorgvuldig te bewaren om te kunnen raadplegen in de toekomst of doorgeven aan de volgende gebruiker.
- Dit apparaat is niet bestemd voor gebruik door personen met een beperkte fysieke, somatische of psychische vaardigheden (waaronder kinderen) en personen die geen ervaring ermee of kennis ervan hebben, tenzij dit onder toezicht of volgens gebruiksaanwijzing gebeurt, die door personen die voor de veiligheid verantwoordelijk zijn doorgegeven wordt.
- Wees u bijzonder attent op het zelfstandig gebruik van het apparaat door kinderen. Het apparaat is geen speelgoed. Het is verboden om op de uitschuifbare elementen te zitten en aan de deur hangen.
- De koelvries combinatie werkt correct in de omgevingstemperatuur welke aangegeven staat op de tabel met technische gegevens. Plaats het apparaat niet in een kelder, een gang of een niet verwarmde chalet in de herfst en in de winter.
- Tijdens het opstellen, schuiven en optillen is het

verboden om aan de deurhandgrepen te grijpen, aan de gleuf aan de achterkant van de koelkast te trekken of compressor aan te raken.

- Tijdens het transport, het optillen of opstellen dient de koel-vriescombinatie zich niet meer dan 40° van de verticale positie bevinden. Indien dit wel plaatshad, kan het apparaat pas na 2 uur na de opstelling aangezet worden (tek. 2).
- Voordat u aan onderhoudswerkzaamheden begint haal altijd de stekker uit het stopcontact. Trek nooit aan het netsnoer, maar aan de stekker.
- De ongewone of sterkere geluiden ontstaan door het uitbreiden en verkleinen van de onderdelen door de temperatuurwijzigingen.
- Vanwege de veiligheid is het niet aangeraden om het apparaat zelf te herstellen. De herstellingswerkzaamheden, die door niet bevoegde personen zijn uitgevoerd, kunnen gevaarlijk voor de gebruikers van het apparaat zijn.
- Ingeval van storing van het koelsysteem is het aangeraden om de ruimte, waarin het apparaat geplaatst werd door enkele minuten te ventileren (deze ruimte dient ten minste 4 m<sup>3</sup> hebben; voor het product met isobutaan/R600a)
- Gedeeltelijk ontdooide producten dient u niet nog een keer in te vriezen.
- Bewaar dranken in blikken en flessen, in het bijzonder koolzuurhoudende dranken, niet in de diepvriezer. Blikken en flessen kunnen barsten.
- Plaats geen pas van de diepvriezer genomen producten direct in de mond (ijs, ijsblokken, ezv.), hun lage temperatuur kan ernstige letsels veroorzaken.
- Let op om het koelsysteem niet te beschadigen, bv. door het prikken in de kanalen van de koelvloeistof in de verdamper, het breken van pijpen. Het ingespoten koelvloeistof is brandbaar. Ingeval van contact met het oog, dient u het met schoon water afspoelen en onmiddellijk met arts contacteren.
- Als de voedingskabel beschadigd raakt, dan moet deze vervangen worden bij een specialistische service.

- Het apparaat is bestemd voor het bewaren van voedingsmiddelen. Gebruik het niet voor andere doeleinden.
- Koppel het apparaat volledig los van het lichtnet (door de stekker uit het stopcontact te trekken) tijdens werkzaamheden als schoonmaken, onderhoud of verplaatsen.
- Dit apparaat mag gebruikt worden door kinderen van 8 jaar en ouder, door personen met een lichamelijke, zintuiglijke of verstandelijke beperkingen en personen zonder ervaring of kennis van het apparaat wanneer op hen gelet wordt of ze geïnstrueerd zijn over het veilig gebruik van het apparaat en ze de gevaren kennen in verband met het gebruik van het apparaat. Kinderen mogen niet met het apparaat spelen. Reiniging en onderhoud mogen niet door kinderen gedaan worden tenzij ze 8 jaar zijn of ouder en er toezicht wordt gehouden door een juiste persoon.
- Om meer ruimte te creëren in de diepvriezer, kunt u de laden verwijderen en de producten direct op de legplanken plaatsen. Dit heeft geen invloed op de thermische en mechanische eigenschappen van het apparaat. De opgegeven inhoud van de diepvriezer is berekend bij afwezigheid van de laden.



**WAARSCHUWING:** Brandgevaar / brandbare materialen

- Kinderen van 3 tot 8 jaar mogen producten in het koelapparaat zetten en eruit halen.

Om verontreiniging van de voedingsmiddelen te voorkomen, moet u zich houden aan de volgende regels:

- Als u de deur lange tijd opent, kan de temperatuur in de verschillende ruimten van het apparaat aanzienlijk stijgen.
- Maak de oppervlakken die in contact komen met voedingsmiddelen regelmatig schoon evenals, indien aanwezig, de waterafvoersystemen.
- Bewaar rauw vlees en vis in geschikte containers in

de koelkast, zodat ze niet in contact kunnen komen met andere voedingsmiddelen en niet op andere voedingsmiddelen kunnen lekken.

- Vriesruimten met twee sterren zijn bestemd voor het bewaren van eerder ingevroren voedingsmiddelen, het bewaren of bevriezen van ijs of het bevriezen van ijsblokjes.
- Ruimtes met één ster, twee sterren en drie sterren zijn niet bestemd voor het invriezen van verse voedingsmiddelen.

	Soorten ruimten	Uiteindelijke bewaar-temperatuur [°C]	Geschikte voedingsmiddelen
1	Koelkast	+2 ≤ +8	Eieren, gekookte voedingsmiddelen, verpakte voedingsmiddelen, vruchten en groenten, zuivel, gebak, dranken en overige producten die niet geschikt zijn om in te vriezen.
2	Diepvriezer ❄️***	≤-18	Zeevruchten (vis, garnalen, mosselen), zoetwaterproducten en vleesproducten (aanbevolen 3 maanden, hoe langer de bewaartijd, hoe minder smakelijk en voedzaam het product zal zijn), geschikt voor ingevroren verse producten.
3	Diepvriezer ***	≤-18	Zeevruchten (vis, garnalen, mosselen), zoetwaterproducten en vleesproducten (aanbevolen 3 maanden, hoe langer de bewaartijd, hoe minder smakelijk en voedzaam het product zal zijn), niet geschikt voor bevroren verse producten.
4	Diepvriezer **	≤-12	Zeevruchten (vis, garnalen, mosselen), zoetwaterproducten en vleesproducten (aanbevolen 2 maanden, hoe langer de bewaartijd, hoe minder smakelijk en voedzaam het product zal zijn), niet geschikt voor bevroren verse producten.
5	Diepvriezer *	≤-6	Zeevruchten (vis, garnalen, mosselen), zoetwaterproducten en vleesproducten (aanbevolen 1 maand, hoe langer de bewaartijd, hoe minder smakelijk en voedzaam het product zal zijn), niet geschikt voor bevroren verse producten.
6	Ruimte zonder sterren	-6 ≤ 0	Vers varkensvlees, rundvlees, vis, kip, sommige verpakte, verwerkte producten etc. (aanbevolen wordt deze dezelfde dag nog te eten, maar uiterlijk binnen 3 dagen). Gedeeltelijk verpakte, verwerkte producten (producten die niet geschikt zijn om in te vriezen)



7	Koelruimte	$2 \leq +3$	Vers/bevroren varkensvlees, rundvlees, kip, zoetwaterproducten etc. (7 dagen onder $0^{\circ}\text{C}$ , boven $0^{\circ}\text{C}$ wordt aanbevolen deze nog dezelfde dag te eten, maar uiterlijk binnen 2 dagen). Zeevruchten (onder $0^{\circ}\text{C}$ gedurende 15 dagen, bij voorkeur niet bewaren bij temperaturen hoger dan $0^{\circ}\text{C}$ )
8	Ruimte voor het bewaren van verse voedingsmiddelen	$0 \leq +4$	Vers varkensvlees, rundvlees, vis, kip, gekookte producten etc. (aanbevolen wordt deze dezelfde dag nog te eten, maar uiterlijk binnen 3 dagen).
9	Ruimte voor het bewaren van wijn	$+5 \leq +20$	Rode, witte, mousserende wijnen etc.

- Opgelet: bewaar de producten in overeenstemming met de aanbevelingen voor de verschillende ruimten en de aanbevolen bewaartemperatuur van het product.
- Als u het koelapparaat niet gebruikt en het langere tijd leeg zal staan, moet u het uitschakelen, ontdooien, schoonmaken, drogen en de deur open laten staan om te voorkomen dat er in het apparaat schimmel ontstaat.
- Reinigen van de waterdispenser (voor producten met waterdispenser): Reinig de watertanks als ze 48 uur niet zijn gebruikt; als het water gedurende 5 dagen niet is afgetapt, spoel dan het watersysteem dat op de waterleiding is aangesloten door.
- De minimumperiode waarin reserveonderdelen die nodig zijn om het apparaat te repareren beschikbaar blijven, bedraagt 7 of 10 jaar, afhankelijk van het type en het doel van het reserveonderdeel, en is in overeenstemming met Verordening (EU) 2019/2019 van de Commissie.
- De lijst met reserveonderdelen en de bestelprocedure zijn beschikbaar op de websites van de fabrikant, importeur of de officiële vertegenwoordiger.
- Meer informatie over het product vindt u in de Europese productdatabase voor energie-etikettering EPREL op de website <https://eprel.ec.europa.eu>. U kunt de informatie verkrijgen door de QR-code op het energie-etiket te scannen of door het productmodel in te voeren in de zoekmachine van EPREL <https://eprel.ec.europa.eu/>

# INSTALLATIE EN WERKOM- STANDIGHEDEN VAN HET APPARAAT

Dit koelapparaat is niet bedoeld voor gebruik als inbouwapparaat.

## Installatie voor de eerste ingebruikname

- Pak het product uit en verwijder de veiligheidsbanden van de deur en uitrusting (Tek. 4). De restanten van het lijm kunt u met een zacht reinigingsmiddel verwijderen.
- Gooi de piepschuim elementen van de verpakking niet weg. Ingeval van een toekomstig transport, dient de koel-vriescombinatie nog een keer met behulp van piepschuim elementen, folie en plakband beveiligd te worden.
- Was de binnenkant van de koelkast en de diepvriezer met een zacht warm water met een afwasmiddel en daarna droog het met een doek en wacht tot het droog wordt.
- Plaats de koel-vriescombinatie op een ondergrond, die vlak, waterpas en stabiel is, in een droge en regelmatig ventileerde ruimte, niet in direct zonlicht of naast andere warmtebronnen, zoals een gasfornuis, CV-radiator, CV-buis of warme water installatie ezv.
- Op de buiten oppervlakken van het product kan zich beschermende folie bevinden welke verwijderd dient te worden.
- Het apparaat moet waterpas geplaatst zijn, wat kunt u bereiken door op een juiste manier 2 voorvoetjes op te schuiven (tek. 3).
- Om de deur vrijuit te kunnen openen, dient de afstand tussen de zijwand van het product (aan de kant van de deurscharnieren) en de muur in overeenstemming te zijn met afbeelding 5\*.
- De ruimte dient regelmatig geventileerd te worden en het lucht dient onbelemmerd van alle zijden van het apparaat circuleren (tek. 6\*).

## Minimale afstanden van warmtebronnen

- van elektrische fornuizen, gasfornuizen en andere fornuizen - 30 mm,
- van olie- of steenkoolkachels - 300 mm,
- van ingebouwde fornuizen - 50 mm

Indien het behouden van deze afstanden niet mogelijk is, dient u een juiste isolatieplaat te gebruiken.

### Attentie:

- De achterwand van de koelkast en in het bijzonder de condensor en andere elementen van het koelingsysteem mogen de andere elementen niet aan te raken, in het bijzonder elementen die defecten kunnen veroorzaken (CV-buis en wateraanvoerbuis).
- Het is verboden om aan de onderdelen van het aggregaat te manipuleren. In het bijzonder mag het capillair niet defect te zijn, die u bij de compressor ziet. Het capillair mag niet gevouwen, getrokken nog gerold worden.
- Het beschadigen van het capillair door de gebruiker maakt de garantie ongeldig (tek. 8).
- In geselecteerde modellen bevindt zich de deurhendel aan de binnenkant van het product en dient het vastgeschroefd te worden met een schroevendraaier.

## Aansluiten op het electriciteitsnet

- Zet de temperatuurregelaar in de positie „OFF” of een andere positie die het apparaat uitschakelt (zie de pagina met de beschrijving van de besturing) voordat u het aansluit.
- Suit het apparaat op het electriciteitsnet met wisselstroom 220-240V, 50Hz aan, met gebruik van een correct geïnstalleerd stopcontactdoos, die geaard is en over een zekering van 10A beschikt.
- De aansluiting op het electriciteitsnet met een aarding moet volgens de wettelijke voorschriften uitgevoerd zijn. De producent stelt zich niet verantwoordelijk voor de schade, die door de personen of voorwerpen geleden kan worden als gevolg van het niet nagaan van de verplichting van dit voorschrift.
- Het is verboden om verloopstekkers, verdeelstekkers en verlengsnoeren te gebruiken. Indien u wel een verlengsnoer moet gebruiken, het dient over een beschermring te beschikken, alleen één contactdoos hebben en over een veiligheidsatstest VDE/GS te beschikken.
- Ingeval van het gebruik van een verlengsnoer (met een beschermring en veiligheidsmarkering), moet zijn nest zich in een veilige afstand van waterbakken bevinden en kan niet het gevaar oplopen om met het water en ander afvalwater in aanraking te komen..
- De gegevens staan op de typeplaatje, dat zich beneden aan de binnenwand van de koelkast bevindt\*\*.

## Uitschakelen

Het apparaat dient in elk moment van het electriciteitsnet te kunnen worden uitgeschakeld door de stekker eruit te halen of de dubbelpolige schakelaar uit te zetten (tek. 9).

## Klimaatklasse

Informatie over de klimaatklasse staat op de typeplaatje. Deze geeft aan in welke omgevingstemperatuur (dwz. ruimte, waarin hij staat) het product optimaal (correct) werkt.

<b>Klimaatklasse</b>		<b>Toelaatbare omgevingstemperatuur</b>
SN	uitgebreid gematigd	Het koelapparaat is bestemd voor gebruik bij omgevingstemperaturen binnen een bereik van 10°C tot 32°C
N	gematigd	Het koelapparaat is bestemd voor gebruik bij omgevingstemperaturen binnen een bereik van 16°C tot 32°C
ST	subtropisch	Het koelapparaat is bestemd voor gebruik bij omgevingstemperaturen binnen een bereik van 16°C tot 38°C
T	tropisch	Het koelapparaat is bestemd voor gebruik bij omgevingstemperaturen binnen een bereik van 16°C tot 43°C

\* Geldt niet voor inbouwapparatuur

\*\*Toegepast afhankelijk van het model

# UITPAKKEN



Het apparaat is beveiligd tegen transportschade. Na het uitpakken moet het verpakkingsmateriaal zo verwerkt worden dat er geen risico voor het milieu ontstaat.

Al het materiaal dat voor de verpakking is gebruikt is milieuvriendelijk, het kan voor 100% hergebruikt worden en het is gelabeld met het bijbehorende symbool.

Attentie! Het verpakkingsmateriaal (polyethyleenzakjes, stukken polystyreen etc.) bij het uitpakken buiten het bereik van kinderen houden.

# VERWIJDERING VAN GEBRUIKTE APPARATUUR



Dit product is overeenkomstig met de Europese richtlijn 2012/19/EG. Dit merkteken informeert dat dit apparaat na afloop van zijn levensduur niet samen met ander huishoudelijk afval verwijderd mag worden.

De gebruiker is verplicht om het aan te bieden bij een inzamelpunt voor gebruikte elektrische en elektronische apparatuur. De inzamelende instanties, waaronder lokale inzamelpunten, winkels en gemeentelijke instanties vormen een geschikt systeem voor de inzameling van deze apparatuur.

De juiste behandeling van gebruikte elektrische en elektronische apparatuur leidt tot het vermijden van consequenties die schadelijk zijn voor de menselijke gezondheid en de natuurlijke omgeving en voortkomen uit de aanwezigheid van gevaarlijke bestanddelen en verkeerde opslag en verwerking van dergelijke apparatuur.

# BEDIENING EN FUNCTIES

## Het bewaren van producten in de koelkast

- Bewaar de producten op borden, in dozen of in voedselolie verpakt. Plaats ze gelijkmatig op de oppervlakte van de platen.
- Levensmiddelen mogen niet met de achterwand in aanraking komen, indien het wel gebeurt kunnen ze verrijpen of vochtig worden.
- Het is verboden om warme voedsel in de koelkast te plaatsen.
- Producten, die makkelijk geuren opnemen, bv. boter, melk, kwark en producten die een sterk geur hebben, bv. vlees, vissen en kazen dienen verpakt met folie of in goed gesloten dozen geplaatst worden.
- Groenten die rijk aan water zijn, veroorzaken verdamping over de groentelade; dit verstoort de correcte werking van de koelkast niet.
- Droog de groenten voor het plaatsen ervan in de koelkast.
- Te grote hoeveelheid vocht verkort de tijd van het bewaren, in het bijzonder met betrekking tot groenten met bladeren.
- Bewaar de groenten zonder wassen. Het wassen verwijderd hun beschermingslaag, daarom is het aangeraden om ze net voor het eten te wassen.
- De producten in korven (laden) 1, 2, 3\* plaats (zie tek. 11).\*\*

1. verpakte producten
2. Verdamer plank / kast
3. Normaal laadniveau
4. ❌\*\*\*

- Het is toegestaan om producten op de draadroosters van de verdamer van de diepvriezer te plaatsen\*
- Het is toegestaan dat producten 20-30 mm voorbij de natuurlijke laadgrens worden geschoven.\*\*
- U kunt de onderste mand verwijderen om meer laadruimte te creëren. U stapelt de producten op de bodem van de diepvriezer tot de maximale hoogte.\*

## Het invriezen van producten\*\*


- Bijna alle levensmiddelen kunnen worden ingevroren, met uitzondering van groenten die rauw worden gegeten, bv. sla.
- Alleen producten van uitstekende kwaliteit kunnen worden ingevroren, verpakt in afgemeten porties die op een keer kunnen worden gebruikt.
- Gebruik materialen zonder geur om producten te verpakken, die geen lucht nog vocht toelaten en vet niet doorlaten. Het meest geschikt zijn: zakjes, platen van polyetheenfolie, aluminiumfolie.
- De verpakking dient goed worden gesloten en bij het product passen. Glazen verpakkingen zijn verboden.
- Breng verse en warme levensmiddelen (in de omgevingstemperatuur) die gaan worden ingevroren, niet in contact met reeds ingevroren producten.
- Aanbevolen wordt om per etmaal eenmalig niet meer dan de aanbevolen hoeveelheid verse levensmiddelen in de diepvriezer te plaatsen die staat vermeld in de technische specificatie van het apparaat.

- Om de goede kwaliteit van de ingevroren producten te garanderen, is het aangeraden om de reeds ingevroren producten te verplaatsen opdat ze niet in contact met verse producten komen.
- De ingevroren producten dienen op de ene kant van de diepvriezer geplaatst worden en de verse producten aan de andere kant, zo dicht mogelijk bij de achter- en zijwand.
- Gebruik voor het invriezen van producten de ruimte die is aangeduid met \*\*\*.
- De temperatuur in de koelkast wordt onder andere bepaald door: omgevingstemperatuur, het aantal geplaatste levensmiddelen, frequentie van deuropening, de hoeveelheid rijp, de stand van de thermostaat
- Indien na het sluiten van de koelkast de deur niet direct opnieuw opengaat, wacht 1 tot 2 minuten, zodat de ontstane onderdruk gecompenseerd wordt.


De bewaartijd van ingevroren producten is afhankelijk van hun kwaliteit voor het invriezen en de bewaringstemperatuur. Bij een bewaringstemperatuur van -18°C zijn de volgende bewaartijden aanbevolen:


Producten	Manden
Rundvlees	6-8
Kalfsvlees	3-6
Inwendige organen	1-2
Varkensvlees	3-6
Kippenvlees	6-8
Eieren	3-6
Vissen	3-6
Groenten	10-12
Fruit	10-12

De ruimte voor snelkoeling is niet geschikt voor het bewaren van bevroren voedsel. In deze ruimte kunt u ijsblokjes maken en bewaren.

Opgelet: Als het apparaat geen ruimte met  heeft, betekent dit dat dit koelapparaat niet geschikt is voor het invriezen van voedingsmiddelen.

\* Betreft apparaten met een vriesruimte in het onderste gedeelte van het apparaat

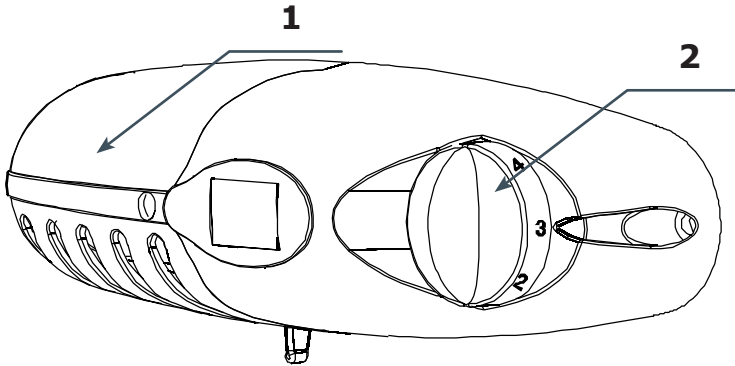
\*\* Betreft apparaten met een vriesruimte 

\*\*\* Geldt niet voor apparaten met een vriesruimte met de aanduiding 

# BEDIENING

## Bediening van het apparaat

Het bedieningspaneel staat weergegeven op afbeelding 10. Om het u makkelijk te maken staat hij ook hieronder:



- 1 - Lichtbron  
2 - Thermostaat

## Regelen van de temperatuur in het apparaat

Verandering van de instelling van de draaiknop zorgt voor een temperatuurwijziging in het apparaat:

- |               |  |
|---------------|--|
| Positie OFF/0 | Het apparaat is uitgeschakeld  |
| Positie 1     | In het apparaat heerst de hoogste temperatuur (binnenin is het warmer) |
| Posities 2-6  | In het apparaat heerst een gemiddelde temperatuur                      |
| Positie 7     | In het apparaat heerst de laagste temperatuur (binnenin is het kouder) |

Opgelet:

- Het is mogelijk dat de thermostaat van uw apparaat een andere schaalverdeling heeft dan deze omschrijving. De algemene regel van de werking is hier boven beschreven.
- Als de draaiknop van uw apparaat geen positie heeft die is aangegeven als "OFF" of "0", kunt u het apparaat volledig uitschakelen door de stekker uit het stopcontact te trekken. Voordat u het apparaat uitschakelt moet u de laagste waarde van de thermostaat instellen.



## Aanvullende informatie betreffende de temperatuur

- Er zijn veel factoren die invloed hebben op de temperatuur in het apparaat. De instelling van de draaiknop is onder andere afhankelijk van de omgevingstemperatuur, de hoeveelheid zonlicht, de frequentie waarmee het apparaat wordt geopend, de hoeveelheid levensmiddelen. De middelste positie van de draaiknop is in de meeste gevallen het meest optimaal.
- De cellen dienen met levensmiddelen pas na het afkoelen opgevuld worden min. na 4 uur werking van het apparaat.
- Het is niet aangeraden om de temperatuur vanwege de verandering van seizoenen in te stellen. De stijging van de omgevingstemperatuur wordt door de sensor ontdekt en gaat de compressor automatisch langer werken om de gewenste binnentemperatuur te behouden.
- Geringe veranderingen van de temperatuur zijn normaal en kunnen ontstaan door bv. een groot aantal verse producten in de koelkast te bewaren of wanneer de deur door een langere periode open stond. Het heeft geen invloed op de levensmiddelen en de temperatuur gaat snel terug naar de normale waarde.

# VERLICHTING

Dit hoofdstuk betreft apparaten die fabrieksmatig zijn uitgerust met gloeilampen en bepaalde apparaten met ledverlichting in de vorm van lampjes met een E14-fitting.

## Vervanging van de verlichting

- Zet de draaiknop in de positie "OFF" en haal vervolgens de stekker uit het stopcontact.
- Demonteer het beschermkapje van het lampje en haal het lampje eruit (Afb. 18).
- Vervang het lampje door een werkend lampje met identieke parameters als het fabrieksmatig geïnstalleerde lampje (220-240 V, max., fitting E14, maximale afmetingen van het bolletje: doorsnede - 26 mm, lengte 55 mm).
- Bevestig het beschermkapje van het lampje.
- Gebruik geen lampjes met een kleiner of groter vermogen. Pas uitsluitend lampjes toe met de parameters die hierboven staan vermeld.

Opgelet:

- Gebruikte verlichting mag niet worden gebruikt voor het verlichten van woonruimten.
- Indien deze gebruiksaanwijzing geen afbeelding bevat met nummer 18, moet het lampje worden vervangen door een gekwalificeerde technicus van de servicedienst.

# HOE KAN DE KOELKAST ECONOMISCH GEBRUIKT WORDEN?

## Praktische tips

- Plaats de koelkast of de vrieskast niet in de nabijheid van radiatoren, ovens en stel ze niet rechtstreeks bloot aan zonnestralen.
- Zorg ervoor dat de ventilatieopeningen niet bedekt zijn. Ze moeten een- tot tweemaal per jaar gereinigd en ontstof worden.
- De gepaste temperatuur kiezen: een temperatuur van 6 tot 8 °C in de koelkast en -18 °C in de vrieskast is voldoende.
- Als u op vakantie vertrekt, dient u de temperatuur in de koelkast te verhogen.
- Open de deur van de koelkast of de vrieskast enkel als dit noodzakelijk is. Het is goed om te weten welke levensmiddelen er in de koelkast bewaard worden en waar ze zich precies bevinden. Ongebruikte levensmiddelen dienen zo snel mogelijk terug in de koelkast of de vrieskast geplaatst worden, voordat ze opwarmen.
- Reinig de binnenkant van de koelkast regelmatig met een doekje met zacht detergent. Toestellen zonder automatische ontdooifunctie dienen regelmatig ontdooid te worden. Vermijd dat er een rijm laag van meer dan 10 mm dik gevormd wordt.
- De afdichting rond de deur moet rein gehouden worden. Anders zal de deur niet meer volledig sluiten. Een beschadigde afdichting moet altijd vervangen worden.

## Wat betekenen de sterretjes?



Een temperatuur van niet meer dan -6 °C volstaat om ingevroren levensmiddelen gedurende ongeveer een week te bewaren. Lades of vakken die aangeduid zijn met één sterretje vindt men (meestal) in goedkopere koelkasten.



Bij een temperatuur van minder dan -12 °C kan men gedurende één tot twee weken levensmiddelen bewaren zonder dat ze hun smaak verliezen. Dit is niet voldoende om levensmiddelen in te vriezen.



Hoofdzakelijk gebruikt om levensmiddelen in te vriezen bij een temperatuur van minder dan -18 °C. Laat toe om verse levensmiddelen met een gewicht tot 1 kg in te vriezen.



Zo'n toestel laat toe om levensmiddelen bij een temperatuur van minder dan -18 °C te bewaren en grotere hoeveelheden levensmiddelen in te vriezen.

## Zones in de koelkast

Door de natuurlijke luchtcirculatie ontstaan er in het koelvak verschillende temperatuurzones.

- De koudste zone bevindt zich rechtstreeks boven de groentelades. In deze zone dienen delicate en snel bederfbare levensmiddelen bewaard te worden zoals:
  - vis, vlees, gevogelte,
  - vleeswaren, kant-en-klare maaltijden,
  - gerechten of gebak met eieren of room,
  - vers deeg, cakemengsels,
  - verpakte groenten en andere verse levensmiddelen waarvan het etiket een bewaar temperatuur van ongeveer 4 °C aangeeft.
- De warmste zone bevindt zich bovenaan in de deur. Hier dient boter en kaas bewaard te worden.

## Levensmiddelen die niet in de koelkast bewaard mogen worden

- Niet alle levensmiddelen mogen in de koelkast bewaard worden. Dit zijn onder andere:
  - groenten en fruit die gevoelig zijn voor lage temperaturen, bijvoorbeeld bananen, avocado, papaja, passievrucht, aubergine, paprika, tomaat en komkommer.
  - Onrijpe vruchten,
  - Aardappelen

Attentie:

Voorbeeld van producten plaatsing in het apparaat (Tek. 12).

Om voedingsmiddelen zo lang mogelijk te kunnen bewaren en verspilling te voorkomen, plaatst u de producten zoals weergegeven op Afb. 12. Bovendien toont deze afbeelding de verdeling van laden, manden en planken die zorgt voor het meest efficiënte energiegebruik van het koelapparaat.

Het bewaren van voedingsmiddelen onder de juiste omstandigheden en bij de juiste temperatuur verlengt de houdbaarheid en optimaliseert het elektriciteitsverbruik. Het juiste temperatuurbereik moet op de verpakking of etiketten van voedselproducten zijn vermeld.

# ONTDOOIEN, WASSEN EN ONDERHOUD

Gebruik nooit oplosmiddelen of agressieve, schurende schoonmaakmiddelen (bv. schuurpoeders of reinigingsmelk) voor het schoonmaken van de behuizing en de plastic onderdelen van het product! Gebruik alleen milde vloeibare schoonmaakmiddelen en een zacht doekje. Gebruik geen sponjes.

## Ontdooien van de koelkast\*\*\*

- Aan de achterwand van de koelkast ontstaat rijp, die automatisch ontdooit. Tijdens het ontdooien van de rijp, tezamen met de druppeltjes kunnen ook ontreinigingen door de opening voortvloeien. Dit kan het verstopping van de opening veroorzaken. In zo'n geval moet de opening met plunjer gereinigd worden (tek. 13).
- Het apparaat werkt in cycluszakken: eerst koelen (aan de achterwand ontstaat rijp) en daarna ontdooien van de rijp (druppeltjes aan de achterwand).
- Voor het beginnen met reinigen dient het apparaat van het elektriciteitsnet uitgeschakeld worden, door de stekker eruit te halen, uitschakeling of losdraaien van de zekering. Het water mag niet in contact met het bedieningspaneel of verlichting komen.
- Gebruik bij het ontdooien geen ontdooisprays. Ze kunnen explosieve mengsels vormen en oplosers bevatten die de kunststof onderdelen van het apparaat beschadigen en zelfs voor de gezondheid schadelijk zijn.
- Het water die bij het wassen gebruikt wordt mag niet door de opening naar de verdampert vloeien.
- Was het apparaat met een zachte detergent, behoudens de dichting in de deur. De dichting in de deur was met schoon water en droog met een doek.
- Reinig nauwkeurig alle elementen van de uitrusting (groentevakken, rekken, glazen platen ezv.).

## Ontdooien van de diepvriezer\*\*

- Het is aangeraden om het ontdooien van de diepvriezer tezamen met het wassen van het product uit te voeren.
- Grote hoeveelheid ijs op de vriesoppervlakten verstoort de werking van het apparaat en vergroot het energieverbruik.
- Het is aangeraden om het apparaat ten minste een of twee keer per jaar te ontdooien. Wanneer er veel ijs ontstaat, moet u het apparaat vaker ontdooien.
- Indien in de diepvriezer bevinden zich ingevroren levensmiddelen, stel de draaiknop op max. ong. 4 uur voor het geplande ontdooien in. Daardoor gaat het mogelijk zijn om de ingevroren producten in de kamertemperatuur te bewaren.
- Plaats de ingevroren producten in een kan, omgevouwen met krantenpapier en deken en houd ze in een koude plek.
- Het ontdooien van de diepvriezer dient zo snel mogelijk uitgevoerd worden. Het te lange bewaren van de producten in de kamertemperatuur verkort hun houdbaarheid.

## **Om de vriesruimte te ontdooien handelt u als volgt:\*\***

- Schakel het apparaat uit met behulp van het bedieningspaneel en trek vervolgens de stekker uit het stopcontact.
- Open de deur en haal de producten eruit.
- Afhankelijk van het model trekt u het afvoerkanaaltje naar buiten dat zich in het onderste gedeelte van de diepvries in de basis van het apparaat bevindt.
- Laat de deur openstaan, hierdoor versnelt u het ontdooiproces. U kunt ook een schaal met heet (geen kokend) water in de vriesruimte plaatsen.
- Maak de binnenkant van de diepvriezer schoon en droog hem af.
- Schakel het apparaat in volgens de gebruiksaanwijzing.

## **Automatisch ontdooien van de koelkast\*\*\*\***

De koelkast werd in de functie van automatisch ontdooien voorzien. Toch kan het aan de achterwand van de koelkast rijp verzamelen. Deze ontstaat als veel verse producten in de koelkast bewaard worden.

## **Automatisch ontdooien van de diepvriezer\*\*\*\***

De diepvriezer werd in de functie van automatisch ontdooien voorzien (no-frost). Voedsel wordt met gebruik van koud, circelend lucht ingevroren en de vocht van de diepvriezer wordt naar buiten afgevoerd. Daardoor in de diepvriezer ontstaan er geen grote hoeveelheden ijs en rijp en de producten vriezen niet samen.

## **Handwassen van de koelkast en diepvriezer\*\*\*\***

Het wordt aangeraden om de koelkast en diepvriezer ten minste een keer per jaar te wassen.

Het voorkomt het ontstaan van bacteriën en onprettige geuren. Schakel het apparaat met de knop (1) uit, maak het leeg van producten en was met water met zachte detergent. Daarna droog met een doek.

## **Uithalen en inzetten van de legplateaus\*\*\*\*\***

Til het legplateau op en schuif het uit, schuif het daarna in totdat u niet meer verder kunt en de sluiting van het legplateau zich in de geleider bevindt (Afb. 15).

## **Plaatsen en verplaatsen van de opbergvak\*\*\*\*\***

Druk het opbergvak omhoog en neem het naar voren en zet op de gewenste hoogte terug (Afb. 16).

Ten alle tijde is het verboden om de diepvriezer met gebruik van een elektrische radiator of haardroger te ontdooien.

- \*\* Betreft apparaten met een vriesruimte (\*/\*/\*).
- \*\*\* Geldt niet voor apparaten met een Antirijpsysteem
- \*\*\*\* Betreft apparaten met een koelruimte.
- \*\*\*\*\* Geldt niet voor apparaten met een Antirijpsysteem
- \*\*\*\*\* Betreft apparaten met een Antirijpsysteem
- \*\*\*\*\* Niet van toepassing voor diepvriezers

# STORINGEN VINDEN EN VERHELPEN

Verschijnselen	Mogelijke redenen	Herstellings wijze
Het apparaat werkt niet	Onderbreking in de elektrische installatie	<ul style="list-style-type: none"> <li>- controleer of de stekker goed in het stopcontact zit</li> <li>- controleer of de spanningskabel niet beschadigt is</li> <li>- controleer of er spanning op het stopcontact staat door bv. een ander toestel aan te sluiten bv. een nachtlamp</li> <li>- controleer of het apparaat aan staat door de thermostaat op meer dan 0 te zetten</li> </ul>
Binnenverlichting werkt niet	De gloeilamp is los of doorgebrand ( In apparaten met gloeilampen verlichting).	- Controleer het vorige punt „Het apparaat werkt niet“- draai de gloeilamp aan of vervang de doorgebrande (In apparaten met gloeilampen verlichting).
Het apparaat werkt continue	<p>Slechte instelling van de temperatuurregelaar</p> <p>Andere redenen in het punt „Vries-/koeltemperatuur is niet laag genoeg“</p>	<p>- temperatuur met de draaiknop naar beneden draaien</p> <p>- controleren volgens punt „Vries-/koeltemperatuur is niet laag genoeg“</p>
Er ontstaat water in de onderste deel van de koelkast	<p>De waterafvoeropening is verstopt</p> <p>De ventilatie binnen de cel is belemmerd</p>	<p>- maak de verstopte opening schoon (zie hoofdstuk - „Ontdooien van de koelkast“)</p> <p>- controleer of de levensmiddelen en dozen de achterwand van de koelkast niet aanraken</p>
Ongewone of sterkere geluiden	<p>Het apparaat staat niet waterpas en stabiel</p> <p>Het apparaat raakt aan wanden, meubels of andere elementen</p>	<p>- het apparaat waterpas opstellen</p> <p>- het apparaat zo opstellen, dat er geen andere elementen aanraakt en zelfstandig staat</p>

Verschijnselen	Mogelijke redenen	Herstellings wijze
Vries-/koeltemperatuur is niet laag genoeg	Slechte instelling van de temperatuurregelaar	- draai de draaiknop op een hogere positie
	De omgevingstemperatuur is hoger of lager dan de temperatuur welke aangegeven staat op de tabel met technische gegevens van het apparaat.	Het apparaat is bestemd voor werking in een temperatuur welke aangegeven is op de tabel met technische gegevens van het apparaat.
	Het apparaat staat in de zon of te dicht bij een warmtebron	- verander de opstelling van het apparaat volgens de gebruiksaanwijzing
	In het apparaat werd te grote hoeveelheid warme levensmiddelen per een keer gelegd	- 72 uur wachten tot de producten gekoeld (ingevroren) worden en de temperatuur terug naar het gewenste niveau gaat
	De ventilatie binnen de cel is belemmerd	- controleer of de levensmiddelen en dozen de achterwand van de koelkast niet aanraken
	De ventilatie aan de achterkant van het apparaat is belemmerd	- van de wand schuiven voor de afstand van min. 30 mm
	De deur van de koelkast/vriezer wordt te vaak geopend of blijft te lang open staan	- de deur minder vaak openen en/of de tijd van open staan verkorten
	De deur is niet goed gesloten	- levensmiddelen en vakken zo leggen, dat ze het sluiten van de deur niet belemmeren
	De compressor werkt niet vaak genoeg	- controleer of de omgevingstemperatuur niet lager is dan het bereik van de klimaatklasse.
De dichting van de deur zit los	- dichting vastmaken	

Bij het normale gebruik van het koeltoestel kunnen er verschillende soorten geluiden ontstaan, die geen enkele invloed hebben op de correcte werking van de koelkast.

Geluiden die gemakkelijk verholpen kunnen worden:

- Lawaai doordat de koelkast niet waterpas staat – regel de opstelling met behulp van de regelvoetjes vooraan. Leg eventueel zacht materiaal onder de wieltjes achteraan, in het bijzonder bij een tegelvloer.
- Wrijving tegen de aanpalende meubelen – verschuif de koelkast.
- Knarsen van schuiven of schappen – neem de schuif of het schap weg en plaats het daarna terug.
- Geluid van tegen elkaar stotende flessen – plaats de flessen uit elkaar.

Geluiden die hoorbaar zijn tijdens het normale gebruik van het toestel, worden veroorzaakt door de werking van de thermostaat, de compressor (aanslaan), het koelsysteem (krimpen en uitzetten van het materiaal onder invloed van temperatuurverschillen en doorstroom van koelvloeistof).

# GARANTIE, SERVICE

## Garantie

De garantieverplichtingen blijken uit het garantiebewijs. De producent is niet aansprakelijk voor schade die is veroorzaakt door oneigenlijk gebruik van het product.

## Service

- De producent van het apparaat raadt aan om alle reparaties en afstelwerkzaamheden uit te laten voeren door de fabrieksservice of de geautoriseerde service van de producent. Om veiligheidsredenen mag u het apparaat niet zelf repareren.
- Reparaties die zijn uitgevoerd door personen die niet over de vereiste kwalificaties beschikken, kunnen een ernstig gevaar opleveren voor de gebruiker van het apparaat.
- De minimale garantieperiode voor het apparaat die door de fabrikant, importeur of gevolmachtigde wordt aangeboden, staat vermeld op het garantiebewijs.
- Het apparaat verliest zijn garantie als gevolg van eigenhandige aanpassingen, wijzigingen, schending van de verzegeling of andere beveiligingen van het apparaat of onderdelen daarvan, en andere eigenhandige interventie in de apparatuur die niet in overeenstemming is met de gebruiksaanwijzing.

## Reparatiemelding en assistentie bij storingen

Als het apparaat gerepareerd moet worden, moet u contact opnemen met de klantenservice. De adresgegevens en het telefoonnummer van de klantenservice vindt u op het garantiebewijs. Als u contact opneemt, zorg er dan voor dat u het serienummer van het apparaat bij de hand heeft, dit staat op het typeplaatje. Voor uw gemak kunt u het hieronder noteren:

--	--	--	--	--	--	--	--	--	--	--	--	--	--	--	--	--	--	--	--	--	--	--

## Verklaring van de producent

Hierbij verklaart de producent, dat het product aan de eisen van de onderstaande Europese richtlijnen voldoet:

- **Laagspanningsrichtlijn 2014/35/EC**
- **Richtlijn elektromagnetische compatibiliteit 2014/30/EC**
- **Richtlijn 2009/125/EC**
- **Richtlijn RoHS 2011/65/EC**

en over de certificering **CE** en de conformiteitsverklaring voor organen die toezicht op de markt houden beschikt.



# Štovani Klijenti

Od danas svakodnevne obveze nikad nisu bile jednostavnije. Uređaj **Amica** je spoj iznimno jednostavnog rukovanja i savršene učinkovitosti. Uporaba je jednostavna nakon čitanja uputa.

Oprema koja je izašla iz tvornice je prije pakiranja rigorozno provjerena na kontrolnim točkama na području sigurnosti i funkcionalnosti.

Molimo Vas da prije pokretanja uređaja pažljivo pročitate upute za uporabu. Pridržavanje pravila iz uputa štiti Vas od nepravilne eksploatacije. Upute sačuvati i čuvati na mjestu koje je uvijek pri ruci.

**Pozorno pročitati upute za uporabu da bismo izbjegli nezgode.**

Sa štovanjem

**Amica**

# VAŽNE SIGURNOSNE INFORMACIJE

- Uređaj je namijenjen isključivo za kućansku uporabu.
- Proizvođač pridržava pravo na promjene koje ne utječu na rad uređaja.
- Neke informacije u ovim uputama su standardne za razne tipove uređaja (hladnjake, kombinirane hladnjake-zamrzivače ili zamrzivače). Informacija o vrsti Tvog uređaja nalazi se u Informacijskom listu proizvoda koji je isporučen zajedno s uređajem.
- Proizvođač ne snosi odgovornost za štete prouzrokovane nepridržavanjem pravila navedenih u uputama za uporabu.
- Molimo sačuvajte upute za buduću uporabu te za potencijalne sljedeće korisnike.
- Ovaj uređaj nije namijenjen za uporabu osobama (uključujući djecu) sa smanjenim fizičkim, osjetilnim ili mentalnim sposobnostima ili neinformiranim osobama bez nadzora osobe odgovorne za njihovu sigurnost.
- Paziti da uređaj ne koriste djeca ostavljena bez nadzora. Ne dopustiti da se deca igraju uređajem. Djeca ne smiju sjedati na pomične elemente niti se vješati o vrata.
- Dozvoljena temperatura okoline za ispravan rad aparata uvjetovana je modelom uređaja, što je navedeno u informacijskom listu proizvoda. Uređaj ne koristiti u podrumu, u vikendicama bez grijanja: na jesen i na zimu.
- Prilikom postavljanja, pomjeranja, dizanja, ne hvatati za ručku vrata, ne povlačiti za kondenzator i ne dirati sklop kompresora.
- Kombinirani hladnjak-zamrzivač prilikom transporta, prenošenja i postavljanja nositi pod na-

gibom do 40°. Nakon prenošenja i prije postavljanja uređaj priključiti na električnu mrežu tek nakon najmanje 2 sata mirovanja (crt. 2).

- Prije svake radnje vezane uz održavanje izvući utikač iz mrežne utičnice. Ne povlačiti za kabel, nego uhvatiti utikač.
- Zvukovi slični kloketanju ili pucanju su normalni. Uzrok je širenje i skupljanje dijelova zbog promjene temperature.
- Iz sigurnosnih razloga samostalno ne popravljati uređaj. Popravci koje obavljaju osobe bez odgovarajućih kvalifikacija uzrokuju ozbiljnu opasnost za korisnika uređaja.
- Nekoliko minuta prozračiti prostoriju u kojoj se nalazi uređaj (prostorija mora biti visoka najmanje 4 m<sup>3</sup>; za proizvod s izobutanom/R600a) u slučaju oštećenja sustava za hlađenje
- Ne zamrzavati namirnice koje su u čak u najmanjem stupnju već odmrznute.
- U odjeljku zamrzivača ne držati napitke u bocama i limenkama, te posebice gazirana pića. Boce i limenke mogu eksplodirati uslijed povećanja obujma tekućine.
- Ne jesti zamrznute proizvode odmah nakon vađenja iz zamrzivača (sladoled, kockice leda, itd.), njihova niska temperatura može izazvati ozbiljne ozeblinje.
- Nemojte oštetiti cijevne vodove rashladnog sustava (np. probiti vodove rashladnog sredstva u isparivaču, , polomiti cijevi). Rashladno sredstvo koje curi se može zapaliti. U slučaju kontakta s očima, oči oprati čistom vodom i odmah se obratiti liječniku.
- Ako je priključni kabel oštećen, promijeniti ga u ovlaštenoj servisnoj točki.
- Uređaj je prikladan isključivo za hlađenje živežnih namirnica, ne koristiti ga za druge namijenjene.
- Uređaj potpuno isključiti iz mreže (izvući utikač iz

mrežne utičnice) tijekom čišćenja, održavanja ili promjene položaja.

- Ovim uređajem mogu rukovati djeca starija od 8 godina, osobe smanjenih fizičkih, osjetilnih ili mentalnih sposobnosti, kao i osobe s nedovoljnim iskustvom i znanjem, ukoliko su pod nadzorom ili su dobili upute za rad s uređajem na siguran način te razumiju opasnost kojoj su izloženi. Deca se ne smiju igrati uređajem. Djeca mlađa od 8 godina ne smiju čistiti i održavati uređaj, osim ako su ispunila 8 godina i ako nisu pod nadzorom odgovorne osobe.
- Vađenjem pretinaca dobivamo više mjesta u zamrzivaču, a namirnice stavljamo neposredno na police. To nema utjecaj na toplotna niti na mehanička svojstva uređaja. Zapremina zamrzivača je izračunata s izvađenim pretincima.



**UPOZORENJE:** Opasnost od požara / zapaljivi materijali

- Djeca od 3 do 8 godina mogu stavljati i vaditi proizvode iz uređaja za hlađenje.

Za zaštitu hrane od onečišćenja pridržavati se sljedećih pravila:

- Otvaranje vrata duže vrijeme može prouzrokovati podizanje temperature u odjeljcima uređaja.
- Redovito čistiti površine koje su u kontaktu s hranom i – ako se pojavljuju – dostupne instalacije za odvod vode.
- Sirovo meso i ribe čuvati u prikladnim spremnicima u hladnjaku, da nemaju kontakt s ostalom hranom i da ne kaplju na ostalu hranu.
- Odjeljak s dvije zvjezdice hladnjaka služi za čuvanje prethodno zamrznute hrane, čuvanje ili zamrzavanje sladoleda i zamrzavanje kocki leda.
- Odjeljci s jednom, dvije ili tri zvjezdice ne služe za zamrzavanje svježe hrane.

	Vrste odjeljaka	Ciljna temperatura čuvanja [°C]	Odgovarajuća hrana
1	Hladnjak	+2≤+8	Jaja, kuhana hrana, pakirana hrana, voće i povrće, mliječni proizvodi, kolači, napitci i ostali proizvodi koji nisu prikladni za zamrzavanje.
2	Zamrzivač ❄️***	≤-18	Plodovi mora (ribe, kozice, dagnje), slatkovodni proizvodi, mesni proizvodi (preporučeno vrijeme čuvanja iznosi 3 mjeseca, što je duže vrijeme čuvanja, proizvodi su sve manje ukusni i gube hranjivu vrijednost), prikladna za zamrznute svježe proizvode.
3	Zamrzivač ***	≤-18	Plodovi mora (ribe, kozice, dagnje), slatkovodni proizvodi, mesni proizvodi (preporučeno vrijeme čuvanja iznosi 3 mjeseca, što je duže vrijeme čuvanja, proizvodi su sve manje ukusni i gube hranjivu vrijednost), neprikladna za zamrznute svježe proizvode.
4	Zamrzivač ❄️**	≤-12	Plodovi mora (ribe, kozice, dagnje), slatkovodni proizvodi, mesni proizvodi (preporučeno vrijeme čuvanja iznosi 2 mjeseca, što je duže vrijeme čuvanja, proizvodi su sve manje ukusni i gube hranjivu vrijednost), neprikladna za zamrznute svježe proizvode.
5	Zamrzivač ❄️*	≤-6	Plodovi mora (ribe, kozice, dagnje), slatkovodni proizvodi, mesni proizvodi (preporučeno vrijeme čuvanja iznosi 1 mjesec, što je duže vrijeme čuvanja, proizvodi su sve manje ukusni i gube hranjivu vrijednost), neprikladna za zamrznute svježe proizvode.
6	Odjeljak bez zvjezdice	-6≤0	Svježa svinjetina, govedina, ribe, piletina, neki pakirani prerađeni proizvodi, itd. (preporučeno je konzumiranje istog dana, najbolje u vremenu maksimalno 3 dana). Djelomično pakirani prerađeni proizvodi (proizvodi koji nisu prikladni za zamrzavanje).
7	Odjeljak za lako pokvarljivu hranu	2≤+3	Svježa/zamrznuta svinjetina, govedina, piletina, slatkovodni proizvodi, itd. (7 dana ispod 0°C, iznad 0°C je preporučeno konzumiranje istog dana, najbolje u vremenu 2 dana). Plodovi mora (ispod 0°C kroz 15 dana, nije preporučeno čuvanje na temperaturi iznad 0°C)
8	Odjeljak za čuvanje svježe hrane	0≤+4	Svježa svinjetina, govedina, ribe, piletina, kuhani proizvodi, itd. (preporučeno je konzumiranje istog dana, najbolje u vremenu maksimalno 3 dana).
9	Odjeljak za čuvanje vina	+5≤+20	Crno, bijelo vino, pjenušci itd.

- Pozor: proizvode čuvati u skladu s preporukama za odjeljke ili prema temperaturama čuvanja proizvoda.
- Ako uređaj za hlađenje nije korišten i ako je prazan duže vrijeme, treba ga isključiti, odmrznuti, oprati, osušiti i ostaviti s otvorenim vratima da se u unutrašnjosti ne bi stvorila plijesan.
- Čišćenje dispENZERA za vodu (za uređaje s dispenserom vode): Očistiti spremnike za vodu, ako nisu bili korišteni 48 sati; ako voda nije bila ispuštena 5 dana, isprati instalaciju za vodu koja je priključena na vodovodnu mrežu.
- Minimalno razdoblje, tijekom kojeg su raspoloživi zamjenski dijelovi potrebni za popravak uređaja, iznosi 7 ili 10 godina, ovisno o vrsti i namjeni zamjenskog dijela i u skladu je s Uredbom Komisije (UE) 2019/2019.
- Popis zamjenskih dijelova i procedura naručivanja dijelova je dostupna na internetskim stranicama proizvođača, uvoznika ili ovlaštenog predstavnika.
- Više informacija o proizvodu nalazi se u Europskoj bazi podataka o označivanju energetske učinkovitosti (EPREL) na stranici <https://eprel.ec.europa.eu>. Informacije možete dobiti skeniranjem QR koda s energetske etikete ili upisujući model proizvoda s energetske etikete u tražilicu EPREL <https://eprel.ec.europa.eu/>

# INSTALACIJA I UVJETI RADA UREĐAJA

Ovaj uređaj za hlađenje nije namijenjen za ugradnju.

## Instalacija prije prvog pokretanja

- Ukloniti ambalažu s proizvoda, ukloniti ljepljive trake za zaštitu vrata i pribora. Eventualne ostatke ljepljiva ukloniti delikatnim sredstvom za pranje.
- Ne bacati dijelove ambalaže od stiropora. U slučaju ponovnog transporta hladnjak-zamrzivač zapakirati u stiropor i foliju te zaštititi ljepljivom trakom.
- Unutrašnjost hladnjaka i zamrzivača i pribor oprati mlakom vodom s dodatkom sredstva za pranje posuđa, nakon toga prebrisati i osušiti.
- Kombinirani hladnjak-zamrzivač postaviti na ravnu, vodoravnu i stabilnu površinu, u suhoj, provjetреноj, prostoriji bez neposrednog sunčevog zračenja, što dalje od izvora topline, kao što su štednjaci, radijatori centralnog grijanja, cijevi centralnog grijanja, instalacija s toplom vodom, itd.
- Ukloniti zaštitnu foliju s vanjskih površina proizvoda.
- Uređaj treba stajati čvrsto na podlozi i biti ravan s podom. Upotrijebiti 2 nivelirajuće nožice za kompenzaciju neravnina na podu (Crt. 3).
- Razmak između bočne stijenke proizvoda (od strane šarki vrata) i zida prostorije, koji omogućava slobodno otvaranje vrata, predstavljen je na crtežu 5.\*
- Pobrnuti se za odgovarajuću ventilaciju prostorije i slobodnu cirkulaciju zraka sa svih strana uređaja (Crt. 6). \*

## Minimalne udaljenosti od izvora topline

- od električnih, plinskih i ostalih štednjaka - 30 mm,
- od peći na ulje ili ugljen - 300 mm,
- od ugradbenih pećnica - 50 mm

Ako nije moguće održavanje više navedenih razmaka, upotrijebiti odgovarajuću izolacijsku ploču.

Pažnja:

- Poleđina hladnjaka, a posebno kondenzator i ostali elementi rashladnog sustava, ne mogu dodirivati predmete koji ih mogu oštetiti (np cijevi centralnog grijanja i cijevi za dovod vode).
- Ne dirati dijelove agregata. Posebno paziti da se ne ošteti kapilarna cjevčica koja je vidljiva u udubini za kompresor. Tu cjevčicu ne savijati, zatezati niti omotavati.
- Oštećenje kapilarne cjevčice od strane korisnika poništava prava koje daje jamstvo (crt. 8).
- U izabranim modelima ručka za vrata nalazi se unutar proizvoda i treba je pričvrstiti svojim izvijačem.

## Uključivanje u električnu mrežu

- Prije priključivanja preporučuje se podešavanje tipke regulatora temperature u položaj „OFF“ ili drugi koji isključuje uređaj (Vidi stranicu s opisom upravljanja).
- Uređaj uključiti u mrežu izmjenične struje 220-240V, 50Hz, preko ispravno instalirane električne utičnice, s uzemljenjem i osiguračem 10 A.
- Uzemljenje uređaja određuju zakonski propisi. Proizvođač ne snosi odgovornost za potencijalne štete na predmetima i ozljede osoba prouzrokovane nepridržavanjem zakonskih propisa.
- Ne koristiti prilagodne kablove, višestruke utičnice, dvožilne produžne kablove. Ako je neophodna uporaba produžnog kabela, mora imati zaštitni kontakt, jednu utičnicu i imati atest sigurnosti VDE/GS.
- Ako je primijenjen produžni kabel (sa zaštitnim kontaktom i atestom sigurnosti), njegova utičnica mora se nalaziti u sigurnoj udaljenosti od sudopera i ne može biti izložena djelovanju vode ili kanalizacije.
- Podaci se nalaze na natpisnoj pločici, smještenoj na donjem dijelu stijenke komore hladnjaka\*\*

## Isključivanje iz električne mreže

Mora postojati mogućnost isključivanja uređaja iz električne mreže izvlačenjem utikača ili isključivanjem dvopolnog prekidača. (crt. 9).

## Klimatski razred

Informacija o klimatskom razredu uređaja nalazi se na natpisnoj pločici. Uređaj je prema klimatskom razredu konstruiran za rad pri ograničenim temperaturama okoline (prostorije u kojoj pravilno radi).

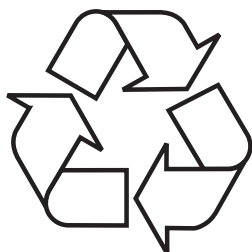
Klimatski razred		Dopuštena temperatura okoline
SN	subnormalni	Uređaj za hlađenje je namijenjen za uporabu na temperaturama okoline u rasponu od 10 °C do 32 °C
N	normalni	Uređaj za hlađenje je namijenjen za uporabu na temperaturama okoline u rasponu od 16 °C do 32 °C
ST	suptropski	Uređaj za hlađenje je namijenjen za uporabu na temperaturama okoline u rasponu od 16 °C do 38 °C
T	tropski	Uređaj za hlađenje je namijenjen za uporabu na temperaturama okoline u rasponu od 16 °C do 43 °C

\* Ne tiče se uređaja za ugrađivanje

\*\* Ovisi o modelu



# UKLANJANJE PAKIRANJA



Uređaj je za vrijeme transporta zaštićen od oštećenja. Nakon vađenja uređaja iz pakiranja molimo Vas da elemente ambalaže uklonite na način koji ne ugrožava okoliš.

Svi materijali korišteni za pakiranje nisu štetni za okoliš, 100% materijala je prikladno za recikliranje, stoga su označeni odgovarajućim simbolom.

Pozor! Elemente pakiranja (polietilenske vrećice, komadići stiropora itd.) prilikom uklanjanja ambalaže držati daleko od djece.

# ZBRINJAVANJE POTROŠENIH UREĐAJA



Ovaj uređaj je označen u skladu s europskom uredbom 2012/19/EU. Ujedno je označen simbolom prekrivenog spremnika za otpatke. Oznaka na proizvodu pokazuje da ovaj proizvod nakon njegovog životnog vijeka ne može biti tretiran kao obični ku-

ćanski otpad.

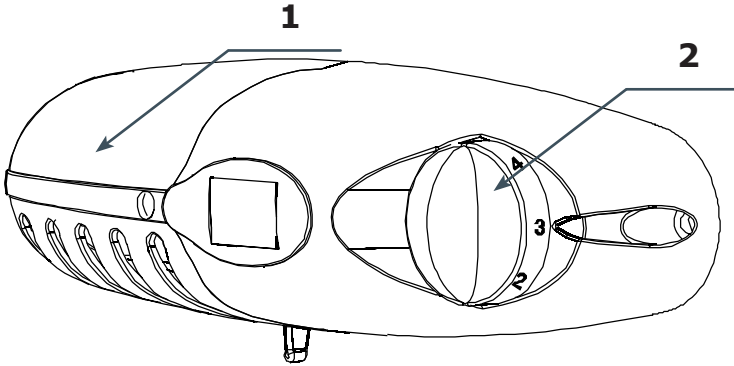
Korisnik ima obvezu ovaj proizvod predati na odgovarajuće sabirno mjesto za recikliranje potrošene električne i elektroničke opreme. Ustanove za prikupljanje ovakvog otpada, uključujući lokalne sabirne točke, kupovna mjesta, općinske jedinice, stvaraju odgovarajući sustav koji omogućava zbrinjavanje ovakve opreme.

Pravilno odlaganje potrošene električne i elektroničke opreme sprečava potencijalne negativne posljedice za okoliš i ljudsko zdravlje, koje inače mogu biti uzrokovane neodgovarajućim odlaganjem i preradom ovog proizvoda.

# UPRAVLJANJE

## Upravljanje uređajem

Upravljačka ploča je predstavljena na crtežu 10, crtež je također prikazan niže:



1 - Izvor svjetla  
2 - Termostāt

## Regulacija temperature unutar uređaja

Promjena položaja regulatora uzrokuje promjenu temperature u uređaju:

Položaj OFF/0 Isključeni uređaj

Položaj 1 U uređaju vlada najviša temperatura (unutra je toplije)

Položaji 2-6 U uređaju vlada srednja temperatura

Položaj 7 U uređaju vlada najniža temperatura (unutra je hladnije)

### Pozor:

- Regulator termostata u Tvom uređaju može biti skaliran drugačije nego što je opisano. Opće načelo djelovanja je opisano više.
- Ako na regulatoru Tvog uređaja nema položaja označenog kao „OFF” ili „0”, potpuno isključenje uređaja je moguće izvlačenjem kabela za napajanje iz utičnice. Prije isključivanja podesiti najnižu vrijednost na termostatu.

## Dodatne informacije o temperaturi

- Na temperaturu unutar uređaja ima utjecaj puno čimbenika. Položaj regulatora zavisi, između ostalog, od temperature, stupnja osunčanosti, frekvencije otvaranja vrata uređaja, količine hrane. Srednji položaj regulatora je u većini slučajeva optimalan.
- Uređaj pokrenuti oko 4 sata prije prvog punjenja hranom rada uređaja.
- Temperaturu ne mijenjati zbog promjene godišnjih doba. Senzor registriira porast temperature okoline te se kompresor automatski uključuje na duže vrijeme da bi se održala temperatura koja je podešena u komorama.
- Male promjene temperature su normalna pojava i mogu se pojaviti kad u hladnjaku čuvamo velike količine svježih namirnica ili kad su vrata duže vremena bila otvorena. To nema utjecaj na prehrambene proizvode, a temperatura se brzo vraća na podešenu razinu.

# RASVJETA

Ovo poglavlje se tiče uređaja koji su tvornički opremljeni žaruljama sa žarnom niti ili izabranih uređaja opremljenih LED rasvjetom sa žaruljom i grlom E14.

## Zamjena žarulje

- Tipku podesiti u položaj „OFF“, nakon toga izvući utikač iz mrežne utičnice.
- Demontirati poklopac žarulje, skinuti žarulju (Crt. 18).
- Žarulju zamijeniti ispravnom koja ima iste parametre kao žarulja koja je tvornički montirana u uređaj (220-240 V, grlo E14, maksimalne dimenzije: promjer - 26 mm, dužina 55 mm).
- Pričvrstiti poklopac žarulje.
- Ne koristiti žarulje manje ili veće snage, koristiti isključivo žarulje koje imaju više navedene parametre.

Pozor:

- Rasvjetu hladnjaka ne koristiti za osvjetljavanje stambenih prostora.
- Ako se u ovoj uputi ne pojavljuje crtež koji je označen s 18, zamjenu rasvjete može obaviti kvalificirani tehničar servisa.

# UPORABA I FUNKCIJE

## Pohranjivanje namirnica u hladnjaku i zamrzivaču

- Namirnice postavljati na tanjuriće, u spremnike ili pakirati u foliju za hranu. Ravnomjerno rasporediti po površini policama.
- Namirnice ne bi trebale dodirivati zadnju stijenku hladnjaka, jer se pojavljuje inje, a namirnice se vlaže.
- U hladnjak ne stavljati vruće posude.
- Namirnice koje lako poprimaju mirise, kao: maslac, mlijeko, bijeli sir i namirnice koje imaju intenzivni miris, np. ribe, suhomesnati proizvodi, sirevi – uvijek čuvati u foliji ili u nepropusnim posudama.
- Čuvanje povrća koje sadržava veliku količinu vode uzrokuje kondenzaciju vodene pare iznad spremnika za povrće; to ne ometa pravilni rad hladnjaka.
- Povrće dobro osušiti prije stavljanja u hladnjak.
- Prevelika koncentracija vlage skraćuje vijek trajanja povrća, posebno lisnatog.
- Ne prati povrće prije skladištenja. Pranje povrća uklanja prirodnu zaštitu, zato je bolje oprati povrće neposredno prije konzumacije.
- Preporučujemo slaganje proizvoda u pretincima 1, 2, 3\* do granice korisne zapremine (Crt. 11a/11b).\*\*

1. Pakirani proizvodi
2. Polica isparivača / policama
3. Korisna zapremina
4. ❌\*\*\*❌

- Dopušteno je slaganje namirnica na žičanim policama isparivača zamrzivača.\*
- Dopušteno je slaganje proizvoda na polici 20-30 mm više od korisne zapremine.\*\*
- Moguće je uklanjanje donje police i povećavanje skladišnog prostora, te pohranjivanje namirnica na dnu komore do max. visine.\*

## Zamrzavanje namirnica\*\*

- Zamrzavamo gotovo sve živežne namirnice osim povrća koje konzumiramo u sirovom stanju, np. zelene salate.
- Za zamrzavanje koristiti isključivo povrće najviše kvalitete, podijeljeno na jednokratne porcije.
- Ambalaža ne smije propuštati mirise i zrak, mora biti otporna na masnoću. Najbolji materijali su: vrećice, ambalaža od polietilenske i aluminijske folije.
- Ambalaža mora biti nepropusna i dobro prianjati na zamrznute proizvode. Ne koristiti staklenu ambalažu.
- Svježe i tople namirnice (u temperaturi okoline) koje zamrzavamo ne mogu dodirivati već zamrznutu hranu.
- Količina svježe hrane koju možete jednokratno pohraniti u navedena je u listu proizvoda. Ne prekoračavati tu količinu.
- Zbog održavanja dobre kvalitete zamrznutih namirnica preporučeno je grupiranje namirnica koje se nalaze na srednjem pretincu zamrzivača tako da ne dodiruju proizvode koji još nisu zamrznuti.\*

- Preporučujemo da zamrznute porcije prebacite na jednu stranu pretinca, a svježe porcije za zamrzavanje postaviti na suprotnu stranu što bliže zadnje i bočne stijenke pretinca.
- Za zamrzavanje namirnica koristiti prostor označen ❄️❄️❄️.
- Pamti da utjecaj na temperaturu u komori zamrzivača imaju: temperatura okoline, stupanj popunjenosti namirnicama, učestalost otvaranja vrata, parametri termostata.
- Ako nakon zatvaranja komore zamrzivača, vrata ne možemo odmah otvoriti, pričekati 1 do 2 minute, dok se ne izravna podtlak.

Vrijeme čuvanja zamrznutih proizvoda ovisi od njihove kvalitete u svježem stanju prije zamrzavanja i od temperature čuvanja. Na temperaturi -18°C ili nižoj preporučujemo sljedeća razdoblja čuvanja:

Namirnice	Mjeseci
Govedina	6-8
Teletina	3-6
Iznutrice	1-2
Svinjetina	3-6
Perad	6-8
Jaja	3-6
Ribe	3-6
Povrće	10-12
Voće	10-12

Komora za brzo hlađenje ne služi za čuvanje zamrznute hrane. U toj komori možemo praviti i čuvati kockice leda

Pozor: Ako uređaj ne posjeduje komoru ❄️❄️❄️, to znači da nije prikladan za zamrzavanje hrane.

\* Tiče se aparata s komorom zamrzivača u donjem dijelu uređaja

\*\* Tiče se uređaja s komorom zamrzivača ❄️❄️❄️

\*\*\* Ne tiče se uređaja s komorama zamrzavanja označenih ❄️❄️❄️

# EKONOMIČNA UPORABA HLADNJAKA

## Praktični savjeti

- Ne postavljati hladnjak niti zamrzivač u blizini radijatora, pećnica i ne stavljati na osunčanom mjestu.
- Provjeriti da otvori za ventilaciju nisu pokriveni. Jedanput, dvaput godišnje čistiti i ukloniti prašinu.
- Izabrati odgovarajuću temperaturu: dovoljna temperatura iznosi 6 do 8°C u hladnjaku i -18°C u zamrzivaču.
- U slučaju odlaska na godišnji odmor, povišiti temperaturu hladnjaka.
- Vrata hladnjaka ili zamrzivača otvarati samo kad je to neophodno. Dobro je znati kakve namirnice se nalaze u hladnjaku i gdje se točno nalaze. Neiskorištene namirnice što prije ponovo staviti u hladnjak ili zamrzivač dok se nisu ugrijale.
- Redovito brisati unutrašnjost hladnjaka krpom koja je namočena u delikatnom deterdžentu. Uređaje bez funkcije automatskog odmrzavanja, redovito odmrzavati. Ne dopustiti da nastane sloj leda debljine veće od 10 mm.
- Brtvu oko vrata čistiti, u protivnom vrata se neće dobro zatvarati. Oštećenu brtvu svaki put promijeniti

## Što znače zvjezdice?



Temperatura do -6°C je dovoljna za čuvanje zamrznutih namirnica oko 7 dana. Prečišćivače ili komore koje su označene jednom zvjezdicom (najčešće) susrećemo u jeftinijim hladnjacima.



Temperatura niža od -12°C je dovoljna za da čuvanje namirnica 1-2 tjedna bez gubitka ukusa. Nije dovoljna za zamrzavanje namirnica.



Uglavnom primjenjivane za zamrzavanje namirnica na temperaturi ispod -18°C. Omogućava zamrzavanje svježih namirnica težine do 1 kg.



Tako označeni uređaj omogućava čuvanje namirnica na temperaturi ispod -18°C i zamrzavanje većih količina hrane.

## **Zone temperatura u hladnjaku**

S obzirom na prirodnu cirkulaciju zraka u komori hladnjaka pojavljuju se zone s raznim temperaturama.

- Najhladnija zona nalazi se neposredno iznad ladica za povrće. U toj zoni čuvati delikatne namirnice koje se lako kvare kao:
  - ribe, meso, piletina,
  - suho meso, gotova jela,
  - jela ili pecivo koje sadržava jaja ili vrhnje,
  - svježe kolače, razne kolačiće,
  - pakirano povrće i ostale svježe namirnice s naljepnicom koja informira o temperaturi čuvanja na oko 4°C.
- Najtoplije je u gornjem dijelu vrata. Tu je najbolje čuvati maslac i sireve.

## **Namirnice koje ne bi trebali čuvati u hladnjaku.**

- Neke namirnice ne bi trebali čuvati u hladnjaku. U toj grupi su:
  - voće i povrće osjetljivo na niske temperature kao: banane, avokado, marakuja, patlidžani, paprika, rajčice, krastavci,
  - nezrelo voće,
  - krumpir.

Pažnja:

Primjer rasporeda namirnica u uređaju (Crt. 12).

Za ostvarivanje najbolje razine čuvanja hrane kroz što duže razdoblje i izbjegavanje bacanja namirnice razmjestiti kako je prikazano na crtežu Crt.12. Dodatno, ovaj crtež prikazuje razmještaj ladica, košara i policā, koji omogućava da uređaj za hlađenje troši energiju na najučinkovitiji način.

Čuvanje hrane u odgovarajućim uvjetima i temperaturi produžava rok trajanja namirnica i optimizira potrošnju električne energije. Raspon prikladnih temperatura trebao bi se nalaziti na pakiranju ili etiketama prehrambenih namirnica.



# ODLEĐIVANJE, PRANJE I ODRŽAVANJE

Za čišćenje kućišta i plastičnih dijelova uređaja nikad ne koristiti razrjeđivače ili oštra, abrazivna sredstva za čišćenje (np. praškove ili mlijeko za čišćenje)! Koristiti samo delikatna tekuća sredstva za pranje i meke krpe. Ne koristiti spužve.

## Odleđivanje i pranje hladnjaka \*\*\*

- Na zadnjoj stijenci komore hladnjaka stvara se led koji je automatski uklonjen. Tijekom odleđivanja zajedno s odleđenom vodom u odvodnu cijev mogu ući nečistoće. To može začeptiti odvodni otvor. U tom slučaju delikatno pročistiti odcepljivačem (Crt. 13).
- Uređaj radi u ciklično: hladi (tad se na zadnjoj stijenci talože led i inje), nakon toga slijedi odleđivanje (kapi se slijevaju po zadnjoj stijenci).
- Prije čišćenja uvijek isključiti uređaj iz električne mreže, izvaditi utikač iz mrežne utičnice, isključiti ili izvaditi osigurač. Voda ne smije ući u upravljačku ploču ili rasvjetu.
- Ne preporučujemo uporabu sprejeva za odmrzavanje. Mogu stvarati eksplozivne smjese, sadržavaju razrjeđivače koji oštećuju plastične dijelove uređaja, čak i štete zdravlju.
- Paziti da, ako je to moguće, voda za pranje ne utječe u odvodni otvor te da ne ulazi u spremnik za isparavanje.
- Cijeli uređaj, osim brtve za vrata, prati delikatnim deterdžentom. Brtvu za vrata čistiti čistom vodom i osušiti krpom.
- Dodatni pribor prati ručno (ladice za povrće, police vrata, staklene police, itd.).

## Odleđivanje i pranje zamrzivača\*\*

- Odleđivanje zamrzivača je dobro obaviti zajedno s čišćenjem uređaja.
- Veća količina leda na površinama za zamrzavanje otežava učinkoviti rad uređaja i uzrokuje povećanu potrošnju električne energije.
- Preporučujemo da uređaj odmrzavate jedanput, dvaput godišnje. U slučaju većeg taloženja leda, uređaj češće odmrzavati.
- Ako se u zamrzivaču nalaze namirnice, podesiti tipku regulacije u položaj max. na oko 4 sata prije planiranog odmrzavanja. To nam omogućava da duže čuvamo namirnicu u temperaturi okoline.
- Nakon vađenja namirnica iz zamrzivača, smrznuta hrana bi trebala biti zamotana u papir, omotana u čebe i odložena na hladno mjesto.
- Odmrzavanje zamrzivača obavlja što brže. Duže ostavljanje namirnica na temperaturi okoline skraćuje njihovo vrijeme uporabe.

## **U cilju odleđivanja komore zamrzivača:\*\***

- Isključiti uređaj pomoću upravljačke ploče, nakon toga izvaditi utikač iz utičnice.
- Otvoriti vrata, izvaditi namirnice.
- Ovisno o modelu izvući odvodni kanalić koji se nalazi u donjem dijelu komore zamrzivača i podmetnuti posudu.
- Ostaviti otvorena vrata, to ubrzava proces odmrzavanja. Dodatno u komoru zamrzivača možemo postaviti posudu s vrućom (ali ne kipućom) vodom.
- Oprati i osušiti unutrašnjost zamrzivača.
- Pokrenuti uređaj u skladu s odgovarajućom točkom uputa za uporabu.

## **Automatsko odleđivanje hladnjaka\*\*\*\***

Hladnjak posjeduje funkciju automatskog odleđivanja. Usprkos tome na zadnjoj stijenci komore hladnjaka može se stvoriti inje i led. To se obično događa kad u komori hladnjaka čuvamo veliku količinu svježih namirnica.

## **Automatsko odleđivanje zamrzivača\*\*\*\***

Zamrzivač je opremljen funkcijom automatskog odleđivanja (no-frost). Namirnice su zamrznute kruženjem hladnog zraka, a vlaga je odvođena iz komore zamrzivača. Zato se ne stvara nepotrebni sloj leda, a inje se ne lijepi na namirnice.

## **Ručno pranje hladnjaka i zamrzivača.\*\*\*\***

Hladnjak i zamrzivač prati najmanje jednom godišnje. Pranje sprečava razmnožavanje bakterija i neugodne mirise. Isključiti uređaj, izvaditi namirnice iz komora i oprati vodom s dodatkom blagog deterdženta. Na kraju komore prebrisati krpom.

## **Vađenje i umetanje polica\*\*\*\*\***

Podići i izvući policu prema naprijed, a nakon toga je do kraja ugurati dok ne legne u vodilicu (Crt. 15).

## **Vađenje i umetanje police vrata\*\*\*\*\***

Podići policu vrata, izvaditi i ponovo s gornje strane dovesti u željeni položaj (Crt. 16).

Zabranjeno je stavljanje u zamrzivač električnih grijala, ventilatora ili sušila za kosu.

\*\* Tiče se uređaja s komorom zamrzivača .

Ne tiče se uređaja s No Frost sustavom

\*\*\* Tiče se uređaja koji posjeduju komoru hladnjaka.

Ne tiče se uređaja s No Frost sustavom

\*\*\*\* Tiče se uređaja s No Frost sustavom

\*\*\*\*\* Ne tiče se zamrzivača

# RJEŠAVANJE PROBLEMA

Smetnje u radu	Mogući uzroci	Rješenje problema
Uređaj ne radi	Prekid napajanja iz električne mreže	<ul style="list-style-type: none"> <li>- provjeriti da li je utikač pravilno utaknut u mrežnu utičnicu</li> <li>- provjeriti da li je priključni kabel oštećen</li> <li>- provjeriti da li ima napona u utičnici pomoću nekog drugog uređaja, np. noćne lampe.</li> <li>- provjeriti da li je uređaj uključen podešavajući termostat u položaj veći od "OFF" ili "0".</li> </ul>
Ne radi rasvjeta u komori uređaja	Žarulja nije dobro zavrtnuta ili je pregorjela (U uređajima sa žaruljom sa žarnom niti) .	- provjeriti prethodnu točku „Uređaj ne radi“- zavrtnuti ili promijeniti pregorjelu žarulju (U uređajima sa žaruljom sa žarnom niti).
Neprestani rad uređaja	Tipka regulacije temperature nije dobro ugođena	- Tipku ugoditi na nižu vrijednost
	Ostali uzroci kao u točki „Uređaj preslabo hladi i/ili zamrzava“	- provjeriti prethodnu točku „Uređaj preslabo hladi i/ili zamrzava“
U donjem dijelu hladnjaka se prikuplja voda	Otvor za odvod vode je začepljen (tiče se uređaja s otvorom za odvođenje otopljene vode)	- očistiti otvor za odvod vode (vidi upute za uporabu poglavlje - „Odleđivanje hladnjaka“)
	Otežani protok zraka u komori hladnjaka	- poslagati namirnice i posude tako da ne dodiruju zadnju stijenku hladnjaka
Zvukovi koji se ne pojavljuju tijekom normalnog rada uređaja	Uređaj nije dobro niveliran	- uređaj pravilno nivelirati
	Uređaj dodiruje namještaj i/ili druge predmete	- uređaj postaviti tako da ne dodiruje druge predmete

<b>Smetnje u radu</b>	<b>Mogući uzroci</b>	<b>Rješenje problema</b>
„Uređaj preslabo hladi i/ili zamrzava“	Tipka regulacije temperature nije dobro ugođena	- tipku ugoditi na višu vrijednost
	Temperatura okoline je veća ili manja od temperature koja je navedena u tablici s tehničkom specifikacijom uređaja.	- uređaj je prilagođen za rad u temperaturi koja je navedena u tablici s tehničkom specifikacijom uređaja
	Uređaj se nalazi na osunčanom mjestu ili blizu izvora topline	- promijeniti položaj uređaja u skladu s uputama za uporabu
	Jednokratno punjenje velikom količinom toplih namirnica	- pričekati do 72 sata dok se namirnice ne ohlade (zamrznu) i dok temperatura komore ne ostvari željenu vrijednost.
	Otežani protok zraka unutar uređaja	- poslagati namirnice i posude tako da ne dodiruju zadnju stijenku hladnjaka
	Otežano kruženje zraka na poleđini uređaja	- odmaknuti uređaj od zida min. 30 mm
	Vrata hladnjaka/zamrzivača su prečesto otvarana i/ili su predugo otvorena	- smanjiti učestalost otvaranja vrata i/ili skratiti vrijeme kad su vrata otvorena.
	Vrata se ne zatvaraju	- poslagati namirnice i posude tako da ne otežavaju zatvaranje vrata
Kompresor se rijetko uključuje	- provjeriti da temperatura okoline nije manja od temperature koja odgovara klimatskom razredu uređaja.	
Loše umetnuta brtva vrata	- utisnuti brtvu	

Tijekom normalnog rada rashladnih uređaja mogu se pojaviti razni zvukovi koji nemaju nikakav utjecaj na pravilan rad hladnjaka.

Zvukovi koje je lako otkloniti:

- buka, kad hladnjak nije dobro postavljen - podesiti pomoću nožica za regulaciju Eventualno ispod valjaka straga podmetnuti mekani materijal, ako je pod izrađen od pločica.
- dodirivanje obližnjeg namještaja – odmaknuti hladnjak.
- škripe pretinci ili police – izvući i pravilno postaviti pretinac ili policu.
- zvukovi bočica - odmaknuti od sebe boce koje se dodiruju.

Zvukovi koje čujemo tijekom pravilne eksploatacije uređaja proizlaze iz rada termostata, kompresora (uključivanje), rashladnog sustava (skupljanje i širenje materijala pod utjecajem razlike temperatura te pretakanje rashladne tekućine).



# Spoštovani Klienti

Od danes bodo vsakodnevni opravki preprostejši kot kdajkoli prej. Naprava **Amica** je skupek izjemno lahke uporabe in popolne učinkovitosti. Ko boste prebrali navodila za uporabo, uporaba ne bo problem.

Naprava, ki je zapustila tovarno, je bila pred pakiranjem na kontrolnih oddelkih natančno preverjena glede varnosti in funkcionalnosti.

Prosimo vas, da si natančno preberete navodila za uporabo preden zaženete napravo. Zagotavljanje usklajenosti z vsebino v navodilih vas bo ščitilo pred neustrezno uporabo. Navodilo je treba shraniti in hraniti tako, da ga boste imeli vedno pri roki.

**Skrbno upoštevajte navodila za uporabo, da preprečite kakršnokoli nezgodo.**

S spoštovanjem,

**Amica**

# POMEMBNE VARNOSTNE NA- STAVITVE

- Naprava je namenjena izključno domači uporabi.
- Proizvajalec si pridržuje možnost izvajanja sprememb, ki nimajo vpliva na delovanje naprave.
- Nekateri zapisi v spodnjih navodilih so splošni za hladilne izdelke različnih vrst, (za hladilnik, hladilnik-zamrzovalnik ali zamrzovalnik). Podatki na temo vrste Vaše naprave, se nahajajo na kartici izdelka, ki je dodana napravi.
- Proizvajalec ne nosi odgovornosti za škodo, ki izhaja iz neupoštevanja pravil, zapisanih v spodnjih navodilih.
- Prosimo, da ta navodila shranite, da jih lahko uporabite v prihodnje ali pa predate naslednjemu uporabniku.
- Naprava ni namenjena uporabi za osebe (tudi otroke) z omejeno fizično, senzorično ali psihično zmogljivostjo, ali osebam s pomanjkanjem izkušenj ali poznavanja naprave, razen če se to počne pod nadzorom ali v skladu z navodili uporabe naprave, ki jih podaja oseba, ki je odgovorna za njihovo varnost.
- Se posebej je potrebno paziti, da otroci brez nadzora ne uporabljajo naprave. Prav tako jim ne smemo dovoliti, da se z napravo igrajo. Ne smejo sedeti na izvlečenih elementih ali se obešati na vrata.
- Naprava pravilno deluje v temperaturi okolja, ki je podana na kartici izdelka. Naprave ne smemo uporabljati v kleti, v veži, v neogrevani vikend hiši jeseni in pozimi.
- Med postavljanjem, prestavljanjem in prenašanjem se ne smete oprijemati ročaja vrat, vleči za kondenzator na zadnji strani hladilnika ali se dotikati kompresorja.

- Naprave med transportom, prenašanjem in postavljanjem ne smete nagibati za več kot  $40^\circ$  od pokončnega položaja. Če je prišlo do take situacije, se vklop naprave lahko izvede šele po minimalno 2 urah od njene postavitve (slika 2).
- Pred vsakim vzdrževalnim delom moramo vtič izklopiti iz vtičnice. Ne smemo vleči za kabel, ampak pridržati korpus vtičnice.
- Zvoki kot treskanje ali pokanje so lahko posledica širjenja in oženja delov zaradi spremembe temperature.
- Zaradi varnostnih razlogov, naprave ne smemo popravljati sami. Popravila, ki jih izvajajo osebe, ki nimajo zahtevanih pooblastil, lahko predstavljajo resno nevarnost za uporabnike naprave.
- Za nekaj minut je potrebno prezračiti prostor, v katerem se naprava nahaja, (ta prostor mora imeti vsaj  $4 \text{ m}^3$ ; za izdelek z izobutanom/R600a) v primeru poškodbe hladilnega sistema.
- Izdelkov, ki so bili samo delno odmrznjeni, ne smemo še enkrat zamrzovati.
- Pijač v steklenicah in pločevinkah, predvsem gaziranih pijač z vsebnostjo ogljikovega dioksida, ne smemo shranjevati v zamrzovalnem delu. Pločevinke in steklenice lahko popokajo.
- Zamrznjenih izdelkov, ki smo jih vzeli neposredno iz zamrzovalnika (led, kocke ledu, itd.) ne smemo dajati v usta, saj lahko nizka temperatura povzroči močne ozeblin.
- Potrebno je paziti, da ne poškodujemo hladilnega sistema, npr. s preluknjanjem kanalov hladilnega sredstva v izparilniku, z zlomom cevi. Brizgajoče hladilno sredstvo je vnetljivo. V primeru, da sredstvo brizgne v oči, jih morate umiti s čisto vodo in takoj poklicati zdravnika.
- Če se poškoduje napajalni kabel, mora biti zamenjan v specializiranem servisu za popravila.
- Naprava služi shranjevanju živil, ne uporabljajte je za druge namene.



- Med čiščenjem, vzdrževalnimi deli ali spremembo postavitve, morate napravo povsem izklopiti od napajanja (vtič izklopite iz vtičnice).
- To napravo lahko otroci v starosti 8 let ali več, osebe z omejenimi fizičnimi, senzoričnimi ali psihičnimi sposobnostmi in osebe brez izkušenj ali poznavanja naprave, uporabljajo le kadar so nadzorovane, ali pa so bile poučene na temo varne uporabe naprave in poznajo možne nevarnosti povezane z uporabo naprave. Otroci se ne smejo igrati z napravo. Čiščenja in vzdrževanja naprave ne smejo izvajati otroci, razen če so že dopolnili 8 let in so pod nadzorom odgovorne osebe.
- Če želimo v zamrzovalniku imeti več prostora, lahko iz njega odstranimo predale in izdelke umestimo neposredno na police. To nima vpliva na termično in mehansko karakteristiko izdelka. Deklarirana kapaciteta zamrzovalnika je bila merjena z izvzetimi predali.



**OPOZORILO:** Nevarnost požara / vnetljivi materiali

- Otroci v starosti od 3 do 8 let lahko jemljejo in zlagajo stvari iz in v hladilno napravo.

Če se želite izogniti umazaniji ali temu, da bi se hrana pokvarila, se je potrebno držati naslednjih pravil:

- Odpiranje vrat za daljši čas lahko povzroči občutno povišanje temperature znotraj predelkov naprave.
- Redno čistite površine, ki so v stiku s hrano, odvisno od dostopne inštalacije za odtekanje vode.
- Meso in ribe hranite v primernih posodah v hladilniku, da ne bili v kontaktu z drugo hrano in z njih ne bi kapljalo na preostala živila.
- Predelki z dvema zvezdicama služijo hranjenju že zamrznjenih živil, shranjevanju ali zamrzovanju sladoleda oziroma zamrzovanja ledenih kock.

- Predelki z eno zvezdico, z dvema zvezdicama ali s tremi zvezdicami ne služijo zamrzovanju svežih živil.

	Vrste predelkov	Ciljna temperatura shranjevanja [°C]	Primerna živila
1	Hladilnik	+2≤+8	Jajca, kuhana živila, zapakirana živila, sadje in zelenjava, mlečni izdelki, kolači, pijače in drugi izdelki, ki niso primerni za zamrzovanje.
2	Zamrzovalnik ✱***	≤-18	Morski sadeži (ribe, raki, školjke), sladkovodni izdelki oz. mesni izdelki (priporočeni so 3 meseci, tem daljši je čas hranjenja, tem manj okusen in hranljiv in je izdelek), je primeren za zamrzovanje svežih izdelkov.
3	Zamrzovalnik ***	≤-18	Morski sadeži (ribe, raki, školjke), sladkovodni izdelki oz. mesni izdelki (priporočeni so 3 meseci, tem daljši je čas hranjenja, tem manj okusen in hranljiv in je izdelek), ni primeren za zamrzovanje svežih izdelkov.
4	Zamrzovalnik **	≤-12	Morski sadeži (ribe, raki, školjke), sladkovodni izdelki oz. mesni izdelki (priporočena sta 2 meseca, tem daljši je čas hranjenja, tem manj okusen in hranljiv in je izdelek), ni primeren za zamrzovanje svežih izdelkov.
5	Zamrzovalnik *	≤-6	Morski sadeži (ribe, raki, školjke), sladkovodni izdelki oz. mesni izdelki (priporočen je 1 mesec, tem daljši je čas hranjenja, tem manj okusen in hranljiv in je izdelek), ni primeren za zamrzovanje svežih izdelkov.
6	Predelak brez zvezdic	-6≤0	Sveža svinjina, govedina, ribe, piščanec, nekatere zapakirani predelani izdelki, ipd. (priporočeno zaužitje istega dne, najboljše pa v obdobju maksimalno 3 dni) Delno zapakirani predelani izdelki (izdelki, ki niso primerni za zamrzovanje)
7	Predelak za ohlajevanje	2≤+3	Sveža/zamrznjena svinjina, govedina, piščanec, sladkovodni izdelki, ipd. (7 dni pod 0°C, nad 0°C je priporočljivo zaužitje istega dne, najboljše v obdobju maksimalno 2 dni). Morski sadeži (pod 0°C 15 dni, ne priporoča se shranjevanja na temperaturi nad 0°C)
8	Predelak za shranjevanje svežih živil	0≤+4	Sveža svinjina, govedina, ribe, piščanec, kuhani izdelki, ipd. (priporočeno zaužitje istega dne, najboljše pa v preteku maksimalno 3 dni).
9	Predelak za shranjevanje vina	+5≤+20	Rdeče, belo, peneče vino ipd.

- Pozor: izdelke je potrebno shranjevati v skladu s priporočili predelkov oz. glede na temperaturo shranjevanja izdelkov.
- Če hladilne naprave dlje časa ne nameravate uporabljati in bo dlje časa prazna, jo je potrebno izklopiti, odtajati, pomiti, posušiti in postaviti z odprtimi vrati, da se izognete nastajanju plesni v njeni notranjosti.
- Čiščenje dozirnika vode (za izdelke z dozirnikom vode): Očistite zbiralnike za vodo, če jih niste uporabljali 48 ur; če vode 5 dni niste spustili, vodno inštalacijo, ki je priklopljena na vodovodno omrežje, splaknite.
- Minimalno obdobje, v katerem so na voljo rezervni deli, nujno potrebni za popravilo naprave, je 7 ali 10 let, odvisno od vrste in namena rezervnega dela in je v skladu z Uredbo Komisije (EU) 2019/2019.
- Seznam rezervnih delov in postopek njihovega naročanja sta na voljo na spletnih straneh proizvajalca, uvoznika ali pooblaščenega zastopnika.
- Več informacij o izdelku se nahaja v Podatkovni Bazi EPREL na strani <https://eprel.ec.europa.eu>. Informacije lahko dobite s skeniranjem QR kode z energijske nalepke ali z vnosom modela izdelka z energijske nalepke v iskalnik EPREL <https://eprel.ec.europa.eu/>

# MONTAŽA IN POGOJI DELOVANJA NAPRAVE

Ta hladilna naprava ni namenjena uporabi kot vgradna naprava.

## Inštalacija pred prvim vklopom

- Izdelek morate razpakirati, odstraniti lepilne trakove, ki varujejo vrata in opremo. Eventualne preostale delce lepilnega traku lahko odstranimo z nežnim sredstvom za pomivanje
- Elementov pakiranja iz stiroporja ne smete zavreči. V primeru, da bi morali izdelek ponovno prevažati, hladilnik-zamrzovalnik morate zapakirati v elemente iz stiroporja in folije ter ga zavarovati z lepilnim trakom.
- Notranjost hladilnika in zamrzovalnika in druge elemente opreme je potrebno umiti z vodo sobne temperature z dodatkom sredstva za pomivanje posode, nato pa le-to izmiti in posušiti.
- Hladilnik-zamrzovalnik je potrebno postaviti na ravni in stabilni podlagi, v suhem, prevetrenem in senčnem prostoru, daleč od toplotnih virov, kot so štedilnik, grelnik centralnega ogrevanja, cev centralnega ogrevanja, inštalacija tople vode, itd.
- Na zunanjih površinah izdelka se lahko nahaja varovalna folija, ki jo morate odstraniti.
- Zagotoviti morate ravno in izenačeno postavitve izdelka, primerno temu navijemo 2 nogici, ki jih lahko reguliramo (Slika 3).
- Da zagotovimo nemoteno odpiranje vrat, je oddaljenost med bočno steno izdelka (iz strani tečajev vrat) in steno prostora prikazana na sliki 5.\*
- Potrebno je poskrbeti za primerno zračenje prostora in neomejen pretok zraka z vseh strani naprave (Slika 6).\*

## Minimalne oddaljenosti od toplotnih virov

- od električnih, plinskih in drugih štedilnikov - 30 mm,
- od peči na olje ali premog - 300 mm,
- od vgrajenih pečic - 50 mm

Če zgoraj navedena oddaljenost ni možna, je potrebna namestitev izolacijske plošče.

### Pozor:

- Zadnja stena hladilnika, še posebej kondenzator in drugi elementi hladilnega sistema, se ne smejo stikati z drugimi elementi, ki bi lahko povzročili poškodbe, še posebej (pri cevi s CO in cevi, po kateri priteka voda).
- Nedopustljivo je kakršnokoli manipuliranje z deli agregata. Posebno pozornost velja nameniti temu, da ne poškodujemo kapilarne cevke, ki je vidna v niši kompresorja. Te cevke ne smemo gnesti, ravnati ali zvijati.
- Poškodbe kapilarne cevke, ki jih povzroči uporabnik, le-temu odvzame pravice garancije (slika 8).
- Pri izbranih modelih se ročaj vrat nahaja v notranjosti izdelka in ga moramo priviti z lastnim izvijačem.

## Povezava napajanja

- Pred povezavo se priporoča, da gumb regulacije temperature nastavimo na pozicijo "OFF" ali na drugo pozicijo, ki povzroči izklop naprave od napajanja (Glej stran z opisom upravljanja).
- Napravo moramo povezati z napeljavo izmeničnega električnega toka 220-240V, 50Hz, s pravilno nameščeno vtičnico, ozemljeno in zavarovano z varovalko 10 A.
- Ozemljitev naprave je zahtevana z zakonodajnimi predpisi. Proizvajalec se odpoveduje kakršnikoli odgovornosti glede eventualnih škod, ki jih lahko povzročijo osebe ali predmeti zaradi neupoštevanja tega predpisa.
- Ne uporabljajte povezovalnih adapterjev, razdelilcev in dvožilnih podaljškov. Če je nujno, da uporabite podaljšek, je to lahko le podaljšek z varovalnim obročkom in enim gnezdom, ki ima atest varnosti VDE/GS.
- Če uporabite podaljšek (z varovalnim obročkom, z varnostno oznako), mora njegovo gnezdo ležati v varni oddaljenosti od pomivalnega korita in ne sme biti nikoli zalito z vodo ali drugimi tekočinami.
- Podatki se nahajajo na znakovni tablici, ki je umeščena na spodnji strani notranjosti hladilnika\*\*

## Odklop od napajanja

Zagotoviti je potrebno možnost odklopa naprave od električne napeljave z odklopom vtiča ali izklopom dvofazne spojke (slika 9).

## Klimatski razred

Informacija o klimatskem razredu naprave se nahaja na znakovni tablici. Kaže nam, pri kakšni temperaturi okolja (tj. prostora, v katerem deluje), naprava deluje optimalno (pravilno).

Klimatski razred		Dovoljena temperatura okolja
SN	subnormalni klimatski razred	Hladilna naprava je namenjena uporabi pri temperaturi okolja v razponu od 10 °C do 32 °C
N	normalni klimatski razred	Hladilna naprava je namenjena uporabi pri temperaturi okolja v razponu od 16 °C do 32 °C
ST	subtropski klimatski razred	Hladilna naprava je namenjena uporabi pri temperaturi okolja v razponu od 16 °C do 38 °C
T	tropski klimatski razred	Hladilna naprava je namenjena uporabi pri temperaturi okolja v razponu od 16 °C do 43 °C

\* Se ne tiče naprav za vgradnjo

\*\* Odvisno od modela

# RAZPAKIRANJE



Naprava je bila za čas transporta zaščiten pred poškodovanjem. Prosimo, da po razpakiranju naprave odstranite elemente embalaže na način, ki ne ogroža okolja.

Vsi materiali, uporabljeni za embalažo, so okolju prijazni, v celoti jih je možno reciklirati, kar je označeno z ustreznim simbolom.

**Pozor!** Embalažna materiale (polietilenske vrečke, kose polistirena, itd.), je treba pri razpakiranju hraniti izven dosega otrok.

# ODSTRANJEVANJE IZRABLJENIH NAPRAV



Ta naprava je označena skladno z evropsko direktivo 2012/19/EU. Taka oznaka obvešča, da se zadevne opreme po odrabi ne sme odlagati skupaj z drugimi gospodinjskimi odpadki.

Uporabnik jo je dolžan oddati subjektu, specializiranemu za zbiranje odpadne električne in elektronske opreme. Ti zbiralci odpadkov, v tem lokalna zbirna mesta, trgovine in občinske enote, tvorijo ustrezni sistem, ki omogoča sprejem te odrabljene opreme.

Ustrezno ravnanje z odpadno električno in elektronsko opremo pomaga preprečiti zdravju ljudi in stanju naravnega okolja škodljive posledice, izhajajoče iz prisotnosti v njej nevarnih sestavin in iz neustreznega skladiščenja in predelave take opreme.

# UPORABA IN FUNKCIJE

## Shranjevanje izdelkov v hladilniku in zamrzovalniku

- Izdelke je potrebno shranjevati na krožnikih, v posodah ali zapakirane v živilsko folijo. Po površini polic jih postavimo enakomerno.
- Potrebno je poskrbeti, da se živila ne dotikajo zadnje stene, saj to lahko povzroči, da je na izdelkih led, ali pa da postanejo vlažni.
- V hladilnik ne smete umeščati posod z vročo vsebnostjo.
- Izdelke, ki se zlahka navzamejo tujih vonjev, kot so npr. maslo, mleko, skuta ali takšne, ki oddajo močan vonj, npr. ribe, mesni izdelki, siri – na police umeščajte zapakirane v folijo ali v tesno zaprtih posodah.
- Shranjevanje zelenjave, ki vsebuje veliko količino vode, povzroči, da se nad posodami z zelenjavo nabira para; to ne škodi pravilnemu delovanju hladilnika.
- Preden v hladilnik položite zelenjavo, jo dobro osušite.
- Velika količina vlage skrajša čas hranjenja zelenjave, predvsem listnate.
- Bolje je shranjevati neumito zelenjavo. Umivanje odstrani naravno zaščito, zato je zelenjavo bolje umiti neposredno pred uporabo.
- Priporoča se shranjevanje izdelkov v koših 1, 2, 3\* do naravne meje shranjevanja (Slika 11a/ 11b).\*\*

1. Pakirani izdelki
2. Polica izparilnika / polica
3. Naravna meja shranjevanja
4. ❌\*\*\*

- Dopusčeno je shranjevanje izdelkov na žičnatih policah izparilnika zamrzovalnika.\*
- Dopusčeno je naložiti izdelke na polico za 20-30 mm več od naravne meje shranjevanja.\*\*
- Spodnji koš lahko odstranite in tako pridobite prostor za shranjevanje in zlaganje izdelkov na dnu komore do maks. višine.\*

## Zamrzovanje izdelkov\*\*

- Zamrznemo lahko praktično vse živilske izdelke, z izjemo zelenjave, ki se uživa surova, npr. zelene solate.
- Zamrzujemo le živilske izdelke največje kakovosti, porazdeljene po porcijah, ki so primerne za enkratno uporabo.
- Izdelke je potrebno zapakirati v materiale brez vonja, ki so odporni na pronicanje zraka in vlage oz. niso občutljivi na maščobe. Najboljši materiali so: vrečke, polivinilasta ali aluminijasta folija.
- Pakiranje mora biti tesno in se dobro prilegati zamrznjenim izdelkom. Steklenih pakiranj ne smete uporabljati.
- Sveže in tople živilske izdelke (v temperaturi okolja), ki jih shranimo s ciljem zamrzovanja, se ne smejo stikati z že zmrznjenimi živili.
- Priporoča se, da se v roku enega dne v zamrzovalnik naenkrat ne vložijo več živil kot je priporočeno v kartici izdelka.
- Da ohranimo visoko kakovost zamrznjenih izdelkov se priporoča, da prestavimo že zamrznjene izdelke v srednjem predalu tako, da se ne stikajo z izdelki, ki še niso zamrznjeni\*.



- Priporočamo, da zamrznjene porcije damo na eno stran zamrzovalnega predala, sveže porcije za zamrzovanje pa položimo na drugo stran predala, da so v maksimalni bližini zadnje in stranske stene predala.
- Za zamrzovanje izdelkov uporabljajte prostor, ki je označen z ❄️❄️❄️.
- Zapomniti si morate, da imajo na temperaturo v komori zamrzovalnika vpliv med drugim: temperatura okolice, stopnja napolnjenosti z živili, pogostost odpiranja vrat, nastavitvev termostata
- Če se po zaprtju komore zamrzovalnika vrata ne morejo takoj ponovno odpreti, priporočamo, da počakate 1 ali 2 minuti, da se tam nastali pritisk izenači.

Čas hranjenja zamrznjenih izdelkov je odvisen od njihove kvalitete v svežem stanju pred zamrznjenjem in od temperature shranjevanja. Pri ohranjevanju temperature -18°C ali nižje se priporoča naslednja obdobja shranjevanja:

Izdelki	Meseci
Govedina	6-8
Teletina	3-6
Drobovina	1-2
Svinjina	3-6
Perutnina	6-8
Jajca	3-6
Ribe	3-6
Zelenjava	10-12
Sadje	10-12

Komora hitrega hlajenja ne služi shranjevanju zmrznjene hrane. V tej komori lahko izdelamo in shranjujemo kocke ledu.

Pozor: Če naprava nima prekata ❄️❄️❄️, to pomeni, da ta hladilna naprava ni primerna za potrebe zamrzovanja živalskih izdelkov.

\* Tiče se naprav z zamrzovalnim delom v spodnjem delu naprave

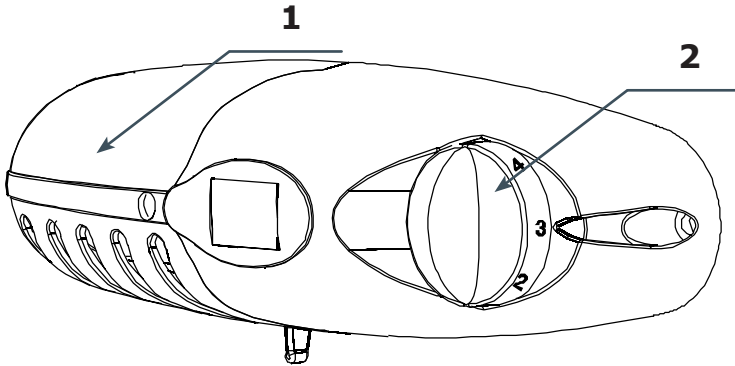
\*\* Tiče se naprav, ki imajo zamrzovalni del ❄️❄️❄️

\*\*\* Ne tiče se naprav, ki imajo zamrzovalne dele, označene z ❄️❄️❄️

# UPRAVLJANJE

## Upravljanje naprave

Panel za upravljanje je predstavljen na risbi 10, za pripomnitev pa se nahaja tudi spodaj:



1 - Vir osvetlitve  
2 - Termostat

## Regulacija temperature znotraj naprave

Sprememba nastavitve zasučnega gumba povzroči spremembo temperature v napravi:

Položaj OFF/0 Naprava izklopljena

Pozicija 1 V napravi prevladuje najvišja temperatura (znotraj je topleje)

Položaji 2-6 V napravi prevladuje srednja temperatura

Pozicija 7 V napravi prevladuje najnižja temperatura (znotraj je hladneje)

### Pozor:

- Zasučni gumb vaše naprave ima lahko nastavljeno tudi drugačno lestvico kot v tem opisu. Splošne nastavitve njegovega delovanja so opisane zgoraj.
- Če na zasučnem gumbu vaše naprave ni položaja označenega z „OFF“ ali „0“, je popoln izklop naprave mogoč z izklopom napajalnega kabla iz vtičnice. Pred izklopom je potrebno nastaviti najnižjo vrednost na termostatu.

## Dodatne informacije glede temperature

- Na temperaturo znotraj naprave vplivajo tudi drugi dejavniki. Nastavitev zasučnega gumba je med drugim odvisna od temperature okolja, stopnje sončnega ogrevanja, pogostosti odpiranja vratc naprave, količine hrane. Srednja nastavitev zasučnega gumba je v večini primerov najbolj optimalna.
- Komor ne smete napolniti pred njeno ohladitvijo minimalno po 4 urah delovanja naprave.
- Zaradi spremembe letnega časa ne smemo spreminjati nastavitev temperatur. Dvig temperature okolice zazna indikator, kompresor se avtomatično vklopi za daljši čas, zato da se v notranjosti ohrani nastavljena temperatura.
- Majhne spremembe temperature so normalen pojav in lahko nastopijo medtem, ko v hladilniku hranimo veliko količino svežih izdelkov ali kadar so bila vrata odprta dalj časa. To ne bo vplivalo na izdelke, temperatura pa se hitro vrne na nivo nastavitev.

# OSVETLITEV

To poglavje se tiče naprav, ki so tovarniško opremljene z žar osvetlitvijo ali izbranih naprav, ki so opremljene z LED osvetlitvijo v obliki žarnic z navojem E14.

## Menjava osvetlitve

- Gumb nastavite na pozicijo „OFF“, nato vtič izklopite iz vtičnice napeljave.
- Odmontirajte zaslon žarnice in jo odvijte (Slika 18).
- Žarnico zamenjajte na primerno nadomestno z identičnimi parametri kot tista, ki je bila tovarniško nameščena (220-240V, navoj E14, maksimalne mere bučke: premer - 26 mm, dolžina 55 mm).
- Pričvrstite zaslon žarnice.
- Ne smete uporabljati žarnic z manjšo ali večjo močjo, le s parametri, kakršni so podani zgoraj.

Pozor:

- Uporabljene žarnice ne smejo biti uporabljene za osvetlitev domačih prostorov.
- Če v teh navodilih ne najdete risbe označene s številko 18, lahko zamenjavo osvetlitve izvede le kvalificiran servisni tehnik.

# KAKO HLADILNIK UPORABLJAMO EKONOMIČNO

## Praktični nasveti

- Ne umeščajte hladilnika ali zamrzovalnika blizu grelnikov, pečic, ali tja, kjer lahko neposredno nanj sveti sonce.
- Preverite, da ventilacijske odprtine niso zakrite. Enkrat ali dvakrat letno jih je potrebno očistiti, pobrisati prah.
- Izbrati primerno temperaturo: temperatura 6 do 8°C v hladilniku oz. -18°C v zamrzovalniku je zadostna.
- Ko gremo na počitnice, je potrebno temperaturo v hladilniku zvišati.
- Vrata hladilnika ali zamrzovalnika odpirajte samo, kadar je to res potrebno. Dobro je vedeti, kakšna živila so shranjena v hladilniku in kje točno se nahajajo. Neuporabljene izdelke je potrebno kar se da hitro shraniti nazaj v hladilnik ali v zamrzovalnik, preden se ogrejejo.
- Redno brišite notranjost hladilnika s krpo, navlaženo z nežnim detergentom. Napravo brez funkcije avtomatičnega odmrzovanja je potrebno redno odmrzovati. Ne pustite, da se v napravi naredi led debeline več kot 10 mm.
- Tesnilo okoli vrat je potrebno ohraniti čisto, v nasprotnem primeru se vrata ne bodo dobro zapirala. Vedno je potrebno poškodovano tesnilo zamenjati.

## Kaj pomenijo zvezdice?



Temperatura, ki ni višja od -6°C zadošča za shranjevanje zamrznjenih živil pribl. en teden. Predali ali komore, ki so označene z eno zvezdico, se (najpogosteje) sreča pri cenejših hladilnikih.



Pri temperaturi pod -12°C lahko živila shranjujemo 1-2 tedna brez izgube okusa. Ta temperatura ni primerna za zamrzovanje živil.



Najpogosteje pri zamrzovanju živil je shranjevanje pod -18°C. To zagotavlja zamrzovanje svežih živil teže do 1 kg.



Tako označena naprava zagotavlja shranjevanje živil pri temperaturi pod -18°C in zamrzovanje večje količine živil.

## Temperaturne cone v hladilniku

Zaradi naravnega kroženja zraka v komori hladilnika nastopajo različne temperaturne cone.

- Najhladnejše območje se nahaja neposredno nad predali za zelenjavo. V tej coni shranjujemo le delikatne in lahko pokvarljive izdelke kot so:
  - ribe, meso, perutnina,
  - mesne izdelke, gotove jedi,
  - jedi ali pekovske izdelke, ki vsebujejo jajca ali smetano,
  - sveže testo, mešanice test,
  - pakirano zelenjavo in druga sveža živila z etiketo, ki določa shranjevanje pri temperaturi okoli 4°C.
- Najbolj toplo je v zgornjem delu vrat. Tu je najbolje shranjevati maslo in sire.

## Izdelki, ki jih ne smete shranjevati v hladilniku

- Vsi izdelki niso primerni za shranjevanje v hladilniku. Med te spadajo:
  - sadje in zelenjava, občutljivi na nizke temperature, kot na primer banane, avokado, papaja, marakuja, jajčevci, paprika, paradižniki in kumare,
  - nezrelo sadje,
  - krompir.

Pozor:

Primer razvrstitve izdelkov v napravi (Slika 12).

Če želite doseči najboljšo raven konzerviranja živil kar najdaljši čas in se izogniti temu, da bi se pokvarila, je potrebno izdelke razporediti tako, kot je prikazano na Risbi 12. Ta risba dodatno prikazuje razpored predalov, košev in polic, ki hladilni napravi omogoča najbolj učinkovito porabo energije.

Shranjevanje živil v določenih pogojih in pri določeni temperaturi podaljša čas njene uporabnosti pred zaužitjem in optimizira porabo električne energije. Razpon primernih temperatur mora biti naveden na pakiranjih ali etiketah živilskih izdelkov.

# ODMRZOVANJE, ČIŠČENJE IN VZDRŽEVANJE

Za čiščenje ohišja in plastičnih delov naprave nikoli ne uporabljajte raztopil oz. ostrih, brusnih čistilnih sredstev (npr. praškov ali mleka za čiščenje)! Uporabljajte le nežna tekoča sredstva za pomivanje in mehke krpe. Ne uporabljajte gobic.

## Odmrzovanje in umivanje hladilnika \*\*\*

- Na zadnji strani hladilne komore nastaja led, ki se avtomatično odstranjuje. V času odmrzovanja lahko skupaj s paro v odprtino v žlebičku pridejo tudi nečistoče. To lahko povzroči, da se odprtina zamaši. V tem primeru je potrebno odprtino delikatno odmašiti z odmaševalcem. (Slika 13).
- Ta naprava deluje ciklično: hladi (v tem času se na zadnji steni nabira led), nato se odmrzuje (para kaplja po zadnji steni).
- Pred začetkom čiščenja je potrebno napravo povsem izklopiti iz napajanja, tako da vtič odklopimo iz vtičnice, oz. z izklopom ali odvitjem varovalke. Ne smete dopustiti, da upravljalni panel ali osvetlitev prideta v stik z vodo.
- Ne priporočamo uporabe sredstev za odmrzovanje v aerosolu. Ta sredstva lahko povzročijo nastanek eksplozivnih mešanic, ob vsebnosti raztopil lahko poškodujejo plastične dele naprave, lahko pa so tudi škodljive zdravju.
- Posebej moramo biti pozorni, da se v meri razpoložljivosti voda, ki je bila uporabljena za umivanje, ni odtekla prek odprtine za odtok v posodo za izparine.
- Celo napravo, z izjemo tesnil na vratih, je potrebno umivati z delikatnim detergentom. Tesnila v vratih je potrebno očistiti s čisto vodo in jih obrisati do suhega.
- Ročno je potrebno umiti vse elemente opreme (posode za zelenjavo, balkone, steklene police itd.).

## Odmrzovanje in umivanje zamrzovalnika\*\*

- Ob odmrzovanju komore zamrzovanja se priporoča tudi čiščenje naprave.
- Večje nakopičenje ledu na površinah zamrzovalnega dela otežuje efektivno delovanje naprave in povzroča zvečano porabo električne energije.
- Priporočamo, da napravo vsaj enkrat ali dvakrat letno odmrznete. V primeru večjega nakopičenja ledu je potrebno odmrzovanje izvesti pogosteje.
- Če se v notranjosti nahajajo izdelki, moramo gumb nastaviti na maksimalen položaj za približno 4 ure pred planiranim odmrzovanjem. To zagotovi možnost, da se izdelki v temperaturi okolice ohranijo daljši čas.
- Ko živila vzamemo iz zamrzovalnika, jih je potrebno dati v posodo, jih oviti z nekaj plastmi časopisnega papirja, nato v odejo in jih hraniti na hladnem mestu.
- Odmrzovanje zamrzovalnika se mora izvesti kar se da hitro. Daljše shranjevanje izdelkov v temperaturi okolice skrajša njihov rok uporabe in zaužitja.

## **Da odmrzujemo komoro zamrzovalnika, je potrebno\*\*:**

- Izklopiti napravo s pomočjo upravljalnega panela, nato vtič izklopiti iz vtičnice.
- Odpreti vrata, odstraniti izdelke.
- Odvisno od modela, odstraniti kanal za odtok, ki se nahaja v spodnjem delu zamrzovalnika, tja postavite posodo.
- Pustite odprta vrata, to pospeši proces odmrzovanja. Dodatno lahko v komoro zamrzovalnika umestimo posodo z vročo (a ne vrelo) vodo.
- Umijte in posušite notranjost zamrzovalnika.
- Zaženite napravo glede na primerno točko navodil.

## **Avtomatično odmrzovanje hladilnika\*\*\*\***

Komora hladilnika je opremljena s funkcijo avtomatičnega odmrzovanja. Vseeno se na zadnji strani komore hladilnika lahko naredi led. To se zgodi takrat, ko se v komori hladilnika nahaja veliko svežih živil.

## **Avtomatično odmrzovanje hladilnika\*\*\*\***

Komora zamrzovalnika je opremljena s funkcijo avtomatičnega odmrzovanja (no-frost). Živila se zamrzuje s hladnim pretočnim zrakom, vlaga iz komore zamrzovanja pa se odvaža ven. Tako se v zamrzovalniku ne tvori nepotreben led, izdelki pa ne primrznejo eden do drugega.

## **Ročno umivanje notranjosti hladilnika in zamrzovalnika.\*\*\*\***

Priporoča se, da vsaj enkrat letno očistimo komoro hladilnika in zamrzovalnika. S tem se izognemo nastanku bakterij in neprijetnih vonjav. Izklopiti je potrebno celotno napravo, iz komor odstraniti izdelke in jih umiti s pomočjo vode z dodatkom delikatnega detergenta. Na koncu komore osušite s krpo.

## **Odstranjevanje in nameščanje polic\*\*\*\*\***

Dvignite in izvlecite polico, nato pa jih nazaj namestite tako, da gumb police leži na nastavku (Slika 15).

## **Odstranjevanje in nameščanje balkonov\*\*\*\*\***

Dvignite balkon, odstranite ga in ga od zgoraj ponovno namestite v zelen položaj (Slika 16).

V nobenem primeru do notranjosti zamrzovalnika ne smete postaviti električnega grelnika, radiatorja ali sušilca za lase.

\*\* Tiče se naprav, ki imajo zamrzovalni del \*\*\*\*.

\*\*\* Ne tiče se naprav s Sistemom No frost  
Tiče se naprav, ki imajo komoro hladilnika.

\*\*\*\* Ne tiče se naprav s Sistemom No frost  
Tiče se naprav, ki imajo Sistem No frost

\*\*\*\*\* Se ne tiče zamrzovalnikov

# ZAZNAVA OKVARE

Znaki	Možni razlogi	Način popravila
Naprava ne dela	Premor v napeljavi električne inštalacije	<ul style="list-style-type: none"> <li>- preverite, če je vtič pravilno vklopljen v vtičnico napeljave</li> <li>- preverite, če napajalni kabel ni poškodovan</li> <li>- preverite, če je napetost v vtičnici, tako, da nanjo priklopite druge naprave, npr. nočno lučko</li> <li>- preverite, če je naprava vklopljena z nastavitvijo termostata na položaj večji od »OFF« ali »0«.</li> </ul>
Osvetlitev v notranjosti ne deluje	Žarnica je pregorela ali zrahljana (V napravah z osvetlitvijo z žarnicami).	- preverite prejšnjo točko "Naprava ne deluje" – privijte ali zamenjajte pregorelo žarnico (V napravah z osvetlitvijo z žarnicami).
Neprestano delovanje naprave	Slaba nastavitev gumba za regulacijo	- prestavite gumb na nižjo pozicijo
	Ostali razlogi kot pri točki. „Naprava slabo hladi in / ali zamrzuje“	- preveriti glede prejšnje točke „Naprava slabo hladi in / ali zamrzuje“
V spodnjem delu hladilnika se nabira voda	Odprtina odtekanja vode je zablokiran (tiče se naprav z odprtino za odtekanje izparin)	- očistite odtočno odprtino (glejte navodila, poglavje - „Odmrzovanje hladilnika“)
	Otežen pretok zraka v notranjosti komore	- izdelke in posode položite tako, da se ne dotikajo zadnje stene hladilnika
Zvoki, ki ne izhajajo iz običajnega delovanja naprave	Naprava ni postavljena ravno	- zravnajte postavitev naprave
	Naprava se stika s pohištvom in/ali drugimi predmeti	- napravo namestite tako, da se ne dotika drugih predmetov



<b>Znaki</b>	<b>Možni razlogi</b>	<b>Način popravila</b>
Naprava slabo hladi in/ali zamrzuje	Slaba nastavitve gumba za regulacijo	- gumb prestavite na višjo pozicijo
	Temperatura okolja je višja ali nižja od temperature, ki je podana v tabelici s tehničnimi specifikacijami naprave.	- naprava je prilagojena za delovanje pri temperaturi, ki je podana v tabelici s tehničnimi specifikacijami naprave.
	Naprava stoji na sončnem mestu ali v bližini toplotnih virov	- spremenite mesto postavitve naprave glede na navodila za uporabo
	Enkratna napolnitev z veliko količino toplih izdelkov	- počakajte do 72 ur na ohlajenje (zamrzitev) izdelkov in dosegite želene temperature v notranjosti komore
	Otežen pretok zraka v notranjosti naprave	- izdelke in posode položite tako, da se ne dotikajo zadnje stene hladilnika
	Otežen pretok zraka iz zadnje strani naprave	- napravo odmaknite od stene za min. 30 mm
	Vrata hladilnika/zamrzovalnika so preveč pogosto odprta in/ali predolgo ostajajo odprta	- zmanjšajte pogostost odpiranja vrat in/ali skrajšate čas, ko so vrata odprta
	Vrata se ne zapirajo	- izdelke in posode položite tako, da ne otežujejo odpiranja vrat
	Kompresor se redko prištevava	- preveriti, ali temperatura okolice ni manjša kot razpon klimatskega razreda
	Slabo vloženo tesnilo vrat	- utrditi tesnilo

Med normalno uporabo hladilne naprave lahko nastopijo različne vrste zvokov, ki nimajo nobenega vpliva na pravilno delovanje hladilnika.

Zvoki, ki jih lahko enostavno odstranite:

- hrup, kadar hladilnik ne stoji ravno – izenačite postavitve s pomočjo navitih sprednjih nogic. Eventualno pod role iz zadnje strani podložite mehek material, še posebej, kadar je podlaga iz ploščic.
- dotikanje sosednjega pohištva – hladilnik odmaknite.
- škripanje predalov ali polic – odstranite jih in jih ponovno namestite.
- zvoki steklenic, ki se dotikajo – steklenice razmaknite.

Zvoki, ki jih lahko slišite med pravilno uporabo, so posledica delovanja termostata, kompresorja, hladilnega sistema (krčenje in razširjanje materiala pod vplivom razlik v temperaturi ali pritoka hladilnega sredstva)



# Szanowny Kliencie

Od dziś codzienne obowiązki staną się prostsze niż kiedykolwiek. Urządzenie **Amica** to połączenie wyjątkowej łatwości obsługi i doskonałej efektywności. Po przeczytaniu instrukcji, obsługa nie będzie problemem.

Sprzęt, który opuścił fabrykę był dokładnie sprawdzony przed zapakowaniem pod względem bezpieczeństwa i funkcjonalności na stanowiskach kontrolnych.

Prosimy Państwa o uważną lekturę instrukcji obsługi przed uruchomieniem urządzenia. Przestrzeganie zawartych w niej wskazówek uchroni Państwa przed niewłaściwym użytkowaniem. Instrukcję należy zachować i przechowywać tak, aby mieć ją zawsze pod ręką.

**Należy dokładnie przestrzegać instrukcji obsługi w celu uniknięcia nieszczęśliwych wypadków.**

Z poważaniem

**Amica**

# WSKAZÓWKI DOTYCZĄCE BEZPIECZEŃSTWA

- Urządzenie przeznaczone jest wyłącznie do użytku domowego.
- Producent zastrzega sobie możliwość dokonywania zmian niewpływających na działanie urządzenia.
- Niektóre zapisy w niniejszej instrukcji są ujednoczone dla wyrobów chłodniczych różnych typów, (dla chłodziarki, chłodziarko-zamrażarki lub zamrażarki). Informacja na temat rodzaju Twojego urządzenia znajduje się w Karcie Produktu dołączonej do wyrobu.
- Producent nie ponosi odpowiedzialności za szkody wynikłe z nieprzestrzegania zasad umieszczonych w niniejszej instrukcji.
- Prosimy o zachowanie tej instrukcji w celu wykorzystania jej w przyszłości lub przekazania ewentualnemu następnemu użytkownikowi.
- Niniejszy sprzęt nie jest przeznaczony do użytkowania przez osoby (w tym dzieci) o ograniczonej zdolności fizycznej, czuciowej lub psychicznej oraz osoby o braku doświadczenia lub znajomości sprzętu, chyba, że odbywa się to pod nadzorem lub zgodnie z instrukcją użytkowania sprzętu, przekazanej przez osoby odpowiadające za ich bezpieczeństwo.
- Należy zwrócić szczególną uwagę, aby z urządzenia nie korzystały pozostawione bez opieki dzieci. Nie należy pozwalać im bawić się urządzeniem. Nie wolno im siadać na elementach wysuwanych i zawieszać się na drzwiach.
- Urządzenie pracuje prawidłowo w temperaturze otoczenia, która jest podana w karcie produktu. Nie należy użytkować jej w piwnicy, sieni, w nieogrzewanym domku letniskowym jesienią i zimą.
- Podczas ustawiania, przesuwania, podnoszenia nie należy chwycić za uchwyty drzwi, ciągnąc za skraplacz z tyłu lodówki oraz dotykać zespołu kompresora.

- Urządzenia nie należy przechylać o więcej niż 40° od pionu podczas transportu, przenoszenia lub ustawiania. Jeżeli taka sytuacja zaistniała włączenie urządzenia może nastąpić min. po 2 godzinach od jego ustawienia (rys. 2).
- Przed każdą czynnością konserwacyjną należy wyjąć wtyczkę z gniazdka sieciowego. Nie należy ciągnąć za przewód, lecz chwycić za korpus wtyczki.
- Dźwięki słyszalne jako trzaskanie lub pęknięcie są spowodowane przez rozszerzanie i kurczenie się części na skutek zmian temperatury.
- Ze względu na bezpieczeństwo nie należy naprawiać urządzenia we własnym zakresie. Naprawy, wykonywane przez osoby nie posiadające wymaganych kwalifikacji mogą stanowić poważne niebezpieczeństwo dla użytkownika urządzenia.
- Należy przewietrzyć przez kilka minut pomieszczenie, w którym znajduje się urządzenie (pomieszczenie to musi mieć przynajmniej 4m<sup>3</sup>; dla wyrobu z izobutanem/R600a) w przypadku uszkodzenia układu chłodniczego.
- Produktów choćby tylko częściowo rozmrożonych nie można ponownie zamrażać.
- Napojów w butelkach i puszkach, w szczególności napojów gazowanych dwutlenkiem węgla nie należy przechowywać w komorze zamrażarki. Puszki i butelki mogą popękać.
- Nie brać do ust produktów zamrożonych bezpośrednio wyjętych z zamrażarki (lody, kostki lodu, itp.), ich niska temperatura może spowodować dotkliwe odmrożenia.
- UWAGA: Należy uważać, aby nie uszkodzić obiegu chłodniczego, np. przez nakłucie kanałów środka chłodniczego w parowniku, złamanie rur. Wytryskujący czynnik chłodniczy jest palny. W przypadku dostania się do oczu należy przepłukać je czystą wodą i wezwać natychmiast lekarza.
- Jeżeli przewód zasilający ulegnie uszkodzeniu, to powinien być wymieniony w specjalistycznym zakładzie naprawczym.

- Urządzenie służy do przechowywania żywności, nie używaj go do innych celów.
- Urządzenie należy całkowicie odłączyć od zasilania (poprzez wyciągnięcie wtyczki z gniazdka sieciowego) na czas wykonywania czynności takich jak czyszczenie, konserwacja czy zmiana miejsca ustawienia.
- To urządzenie może być używane przez dzieci w wieku 8 lat i starsze, przez osoby o ograniczonej zdolności fizycznej, czuciowej lub psychicznej oraz osoby o braku doświadczenia lub znajomości sprzętu, gdy są one nadzorowane lub zostały poinformowane na temat korzystania z urządzenia w sposób bezpieczny i znają zagrożenia związane z użytkowaniem urządzenia. Dzieci nie powinny bawić się urządzeniem. Czyszczenie i konserwacja urządzenia nie powinna być wykonywana przez dzieci chyba że ukończyły 8 lat i są nadzorowane przez odpowiednią osobę.
- W celu uzyskania większej ilości miejsca w zamrażarce można wyjąć z niej szuflady i umieszczać produkty bezpośrednio na półkach. Nie ma to wpływu na charakterystykę termiczną i mechaniczną wyrobu. Zadeklarowana pojemność zamrażarki została obliczona z wyjętymi szufladami.



**OSTRZEŻENIE:** Zagrożenie pożarem / materiały palne

- Dzieci w wieku od 3 do 8 lat mogą wkładać i wyjmować produkty z urządzenia chłodniczego.

Aby uniknąć zanieczyszczenia żywności należy przestrzegać następujących zasad:

- Otwieranie drzwi na dłuższy czas może powodować znaczne podwyższenie temperatury w komorach urządzenia.
- Regularnie czyścić powierzchnie mające kontakt z żywnością oraz w zależności od występowania dostępne instalacje odprowadzania wody.
- Przechowywać surowe mięso i ryby w odpowied-

nich pojemnikach w chłodziarce, aby nie miały kontaktu z pozostałą żywnością i nie kapwały z nich na inną żywność.

- Dwugwiazdkowe komory zamrażarki służą do przechowywania wcześniej zamrożonej żywności, przechowywania lub mrożenia lodów oraz zamrażania kostek lodu.
- Komory jednogwiazdkowe, dwugwiazdkowe i trzygwiazdkowe nie służą do zamrażania świeżej żywności.

	Rodzaje komór	Docelowa temperatura przechowywania [°C]	Odpowiednia żywność
1	Chłodziarka	+2≤+8	Jajka, gotowana żywność, zapakowana żywność, owoce i warzywa, nabiał, ciasta, napoje i inne produkty nie nadające się do zamrożenia.
2	Zamrażarka ✳️***	≤-18	Owoce morza (ryby, krewetki, małże), produkty słodkowodne oraz produkty mięsne (zalecane 3 miesiące, im dłuższy czas przechowywania, tym mniej smaczny i odżywczy jest produkt), odpowiednia na zamrożone świeże produkty.
3	Zamrażarka ***	≤-18	Owoce morza (ryby, krewetki, małże), produkty słodkowodne oraz produkty mięsne (zalecane 3 miesiące, im dłuższy czas przechowywania, tym mniej smaczny i odżywczy jest produkt), nieodpowiednia na mrożone świeże produkty.
4	Zamrażarka **	≤-12	Owoce morza (ryby, krewetki, małże), produkty słodkowodne oraz produkty mięsne (zalecane 2 miesiące, im dłuższy czas przechowywania, tym mniej smaczny i odżywczy jest produkt), nieodpowiednia na mrożone świeże produkty.
5	Zamrażarka *	≤-6	Owoce morza (ryby, krewetki, małże), produkty słodkowodne oraz produkty mięsne (zalecany 1 miesiąc, im dłuższy czas przechowywania, tym mniej smaczny i odżywczy jest produkt), nieodpowiednia na mrożone świeże produkty.
6	Komora bezgwiazdkowa	-6≤0	Świeża wieprzowina, wołowina, ryby, kurczak, niektóre zapakowane przetworzone produkty, itp. (zalecane spożycie tego samego dnia, najlepiej w ciągu maksymalnie 3 dni). Częściowo zapakowane przetworzone produkty (produkty nie nadające się do zamrożenia)

7	Komora schładzania	$2 \leq +3$	Świeża/mrożona wieprzowina, wołowina, kurczak, produkty słodkowane, itp. (7 dni poniżej 0°C, powyżej 0°C zalecane jest spożycie tego samego dnia, najlepiej maksymalnie w ciągu 2 dni). Owoce morza (poniżej 0°C przez 15 dni, nie zaleca się przechowywania w temperaturze powyżej 0°C)
8	Komora do przechowywania świeżej żywności	$0 \leq +4$	Świeża wieprzowina, wołowina, ryby, kurczak, gotowane produkty, itp. (zalecane spożycie tego samego dnia, najlepiej w ciągu maksymalnie 3 dni).
9	Komora do przechowywania wina	$+5 \leq +20$	Czerwone, białe, musujące wino itp.

- Uwaga: należy przechowywać produkty zgodnie z zalecaniami dla komór lub według temperatury przechowywania produktu.
- Jeśli urządzenie chłodnicze nie będzie użytkowane i puste przez długi czas, należy je wyłączyć, rozmrozić, wymyć, wysuszyć i pozostawić z otwartymi drzwiami, aby uniknąć powstania pleśni wewnątrz.
- Czyszczenie dystrybutora wody (dla produktów z dystrybutorem wody): Wyczyścić zbiorniki na wodę jeśli nie były użytkowane przez 48 godzin; jeśli woda nie była spuszczana przez 5 dni, wypłukać instalację wodną podłączoną do sieci wodociągowej.
- Minimalny okres, w którym dostępne są części zamienne niezbędne do naprawy urządzenia wynosi 7 lub 10 lat w zależności od rodzaju i przeznaczenia części zamiennej i jest zgodny z Rozporządzeniem Komisji (UE) 2019/2019.
- Wykaz części zamiennych i procedura ich zamawiania są dostępne na stronach internetowych producenta, importera lub upoważnionego przedstawiciela.
- Więcej informacji o produkcie znajduje się w unijnej Bazie Danych Produktów EPREL na stronie <https://eprel.ec.europa.eu>. Informacje można uzyskać skanując kod QR z etykiety energetycznej lub wpisując model wyrobu z etykiety energetycznej w wyszukiwarce EPREL <https://eprel.ec.europa.eu/>



# INSTALACJA I WARUNKI PRACY URZĄDZENIA

To urządzenie chłodnicze nie jest przeznaczone do użytku jako urządzenie do zabudowy.

## Instalacja przed pierwszym uruchomieniem

- Należy wyrób rozpakować, usunąć taśmy klejące zabezpieczające drzwi i wyposażenie. Ewentualne pozostałe resztki kleju można usunąć delikatnym środkiem myjącym
- Styropianowych elementów opakowania nie należy wyrzucać. W przypadku konieczności ponownego przewożenia, chłodziarko-zamrażarkę należy zapakować w elementy ze styropianu i folię oraz zabezpieczyć taśmą klejącą.
- Wnętrze chłodziarki i zamrażarki oraz elementy wyposażenia należy wymyć letnią wodą z dodatkiem płynu do mycia naczyń, a następnie wytrzeć i wysuszyć.
- Chłodziarko-zamrażarkę należy ustawić na równym, poziomym i stabilnym podłożu, w suchym, przewietrzanym i nienasłonecznionym pomieszczeniu z dala od źródeł ciepła, takich jak kuchnia, grzejnik centralnego ogrzewania, rura centralnego ogrzewania, instalacja wody ciepłej itp.
- Na powierzchniach zewnętrznych wyrobu może znajdować się folia ochronna, należy ją usunąć.
- Należy zapewnić ustawienie wyrobu w poziomie, odpowiednio wkręcając 2 regulowane nóżki (Rys. 3).
- Dla zapewnienia swobodnego otwierania drzwi, odległość pomiędzy ścianą boczną wyrobu (od strony zawiasów drzwi), a ścianą pomieszczenia przedstawiona jest na rysunku 5.\*
- Należy zadbać o odpowiednią wentylację pomieszczenia i swobodny obieg powietrza ze wszystkich stron urządzenia (Rys. 6).\*

## Minimalne odległości od źródeł ciepła

- od kuchni elektrycznych, gazowych i innych - 30 mm,
- od pieców zasilanych olejem lub węglem - 300 mm,
- od piekarników do zabudowy - 50 mm

Jeżeli nie jest możliwe zachowanie wyżej określonych odległości należy zastosować odpowiednią płytę izolacyjną

### Uwaga:

- Tylna ściana lodówki, a szczególnie skraplacz i inne elementy układu chłodniczego nie mogą stykać się z innymi elementami, które mogą powodować uszkodzenie, w szczególności (z rurą CO i doprowadzającą wodę).
- Niedopuszczalne jest jakiegokolwiek manipulowanie częściami agregatu. Należy zwrócić szczególną uwagę, aby nie uszkodzić rurki kapilarnej, widocznej we wnęce na sprężarkę. Rurka ta nie może być doginana, prostowana ani zwijana.
- Uszkodzenie rurki kapilarnej przez użytkownika odbiera mu prawa wynikające z gwarancji (rys. 8).
- W wybranych modelach uchwyt drzwi znajduje się wewnątrz wyrobu i należy go przykręcić własnym wkrętkiem.

## Podłączenie zasilania

- Przed podłączeniem zaleca się ustawić pokrętko regulatora temperatury na pozycję „OFF” lub inną powodującą odłączenie urządzenia od zasilania (Patrz strona z opisem sterowania).
- Urządzenie należy podłączyć do sieci prądu przemiennego 220-240V, 50Hz, poprzez prawidłowo zainstalowane gniazdko elektryczne, uziemione i zabezpieczone bezpiecznikiem 10 A.
- Uziemienie urządzenia jest wymagane przepisami prawa. Producent zrzeka się jakiegokolwiek odpowiedzialności z tytułu ewentualnych szkód, jakie mogą ponieść osoby lub przedmioty na skutek niewypełnienia obowiązku nałożonego przez ten przepis.
- Nie należy używać łączników adaptacyjnych, gniazd wielokrotnych (rozdzielaczy), przedłużaczy dwużyłowych. Jeśli zachodzi konieczność stosowania przedłużacza, może to być tylko przedłużacz z kołkiem ochronnym, jednogniazdowy posiadający atest bezpieczeństwa VDE/GS.
- Jeśli zostanie zastosowany przedłużacz (z kołkiem ochronnym, posiadający znak bezpieczeństwa), to jego gniazdo musi leżeć w bezpiecznej odległości od zlewozmywaków i nie może być narażone na zalewanie wodą i różnymi ściekami.
- Dane znajdują się na tabliczce znamionowej, umieszczonej na dole ściany wewnątrz komory chłodziarki\*\*

## Odłączenie od zasilania

Należy zapewnić możliwość odłączenia urządzenia od sieci elektrycznej, poprzez wyjęcie wtyczki lub wyłączenie wyłącznika dwubiegunowego (rys. 9).

## Klasa klimatyczna

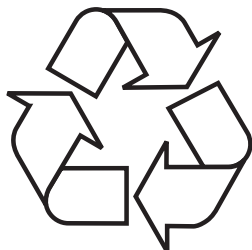
Informacja o klasie klimatycznej urządzenia znajduje się na tabliczce znamionowej. Wskazuje ona, w jakiej temperaturze otoczenia (tj. pomieszczenia, w którym pracuje) wyrób działa optymalnie (prawidłowo).

Klasa klimatyczna		Dozwolona temperatura otoczenia
SN	rozszerzona umiarkowana	Urządzenie chłodnicze jest przeznaczone do użytku w temperaturze otoczenia mieszczącej się w zakresie od 10 °C do 32 °C
N	umiarkowana	Urządzenie chłodnicze jest przeznaczone do użytku w temperaturze otoczenia mieszczącej się w zakresie od 16 °C do 32 °C
ST	subtropikalna	Urządzenie chłodnicze jest przeznaczone do użytku w temperaturze otoczenia mieszczącej się w zakresie od 16 °C do 38 °C
T	tropikalna	Urządzenie chłodnicze jest przeznaczone do użytku w temperaturze otoczenia mieszczącej się w zakresie od 16 °C do 43 °C

\* Nie dotyczy urządzeń do zabudowy

\*\* W zależności od modelu

# ROZPAKOWANIE



Urządzenie na czas transportu zostało zabezpieczone przed uszkodzeniem. Po rozpakowaniu urządzenia prosimy Państwa o usunięcie elementów opakowania w sposób niezagrażający środowisku.

Wszystkie materiały zastosowane do opakowania są nieszkodliwe dla środowiska naturalnego, w 100% nadają się do odzysku i oznakowano je odpowiednim symbolem.

Uwaga! Materiały opakowaniowe (woreczki polietylenowe, kawałki styropianu itp.) należy w trakcie rozpakowywania trzymać z dala od dzieci.

# USUWANIE ZUŻYTYCH URZĄDZEŃ



To urządzenie jest oznaczone zgodnie z Dyrektywą Europejską 2012/19/UE oraz polską Ustawą o zużyтым sprzęcie elektrycznym i elektronicznym symbolem przekreślonego kontenera na odpady. Takie oznakowanie informuje, że sprzęt ten, po okresie jego użytkowania, nie może być umieszczany łącznie z innymi odpadami pochodzącymi z gospodarstwa domowego.

Użytkownik jest zobowiązany do oddania go prowadzącym zbieranie zużytego sprzętu elektrycznego i elektronicznego. Prowadzący zbieranie, w tym lokalne punkty zbiórki, sklepy oraz gminne jednostki, tworzą odpowiedni system umożliwiający oddanie tego sprzętu.

Właściwe postępowanie ze zużyтым sprzętem elektrycznym i elektronicznym przyczynia się do uniknięcia szkodliwych dla zdrowia ludzi i środowiska naturalnego konsekwencji, wynikających z obecności składników niebezpiecznych oraz niewłaściwego składowania i przetwarzania takiego sprzętu.

# OBSŁUGA I FUNKCJE

## Przechowywanie produktów w chłodziarce i zamrażarce

- Produkty należy umieszczać na talerzykach, w pojemnikach lub opakowane w folię spożywczą. Rozstawić równomiernie na powierzchni półek.
- Należy zwrócić uwagę czy żywność nie dotyka ściany tylnej, jeżeli tak, wówczas może to spowodować oszronienie lub zawilgocenie produktów.
- Nie należy wstawiać do chłodziarki naczyń z gorącą zawartością.
- Produkty łatwo przejmujące zapachy obce, jak masło, mleko, ser biały oraz takie, które wydzielają intensywny zapach, np. ryby, wędliny, sery – należy umieszczać na półkach opakowane w folię lub w szczelnie zamkniętych pojemnikach.
- Przechowywanie warzyw posiadających dużą ilość wody, spowoduje osadzanie się pary wodnej nad pojemnikami na warzywa; nie przeszkadza to prawidłowemu funkcjonowaniu chłodziarki.
- Przed włożeniem do chłodziarki warzyw należy je dobrze osuszyć.
- Za dużą ilość wilgoci skraca czas przechowywania warzyw, zwłaszcza liściastych.
- Należy przechowywać warzywa nie myte. Mycie usuwa naturalną ochronę, dlatego lepiej umyć warzywa bezpośrednio przed spożyciem.
- Zaleca się układanie produktów w koszach 1, 2, 3\* do naturalnej granicy załadunku (Rys. 11a/ 11b).\*\*

1. Opakowane produkty
2. Półka parownika / półka
3. Naturalna granica załadunku
4. ❌\*\*\*

- Dopuszcza się układanie produktów na półkach drucianych parownika zamrażarki.\*
- Dopuszcza się wysunięcie produktów na półce o 20-30 mm od naturalnej granicy załadunku.\*\*
- Możliwe jest usunięcie dolnego kosza dla zwiększenia przestrzeni załadunku i ułożenie produktów w komorze na dnie do max. wysokości.\*

## Zamrażanie produktów\*\*

- Zamrażać można praktycznie wszystkie artykuły spożywcze, z wyjątkiem jarzyn spożywanych w stanie surowym, np. zielonej sałaty.
- Do zamrażania używa się jedynie artykułów spożywczych o najwyższej jakości, podzielonych na porcje przeznaczone do jednorazowego spożycia.
- Produkty należy opakować w materiały bez zapachu, odporne na przenikanie powietrza i wilgoci oraz niewrażliwe na tłuszcze. Najlepszymi materiałami są: woreczki, arkusze z folii polietylenowej, aluminiowej.
- Opakowanie powinno być szczelne i ściśle przylegać do zamrożonych produktów. Nie należy stosować opakowań szklanych.

- Świeże i ciepłe artykuły spożywcze (w temperaturze otoczenia), włożone w celu zamrożenia, nie powinny stykać się już z zamrożoną żywnością.
- Zaleca się, aby w ciągu doby nie wkładać do zamrażarki, jednorazowo więcej świeżej żywności niż podano w karcie produktu.
- Dla zachowania dobrej jakości zamrażanych produktów zaleca się przegrupować znajdujące się w środkowej szufladzie zamrażarki mrożonki tak, aby nie stykały się z produktami jeszcze nie zamrożonymi\*.
- Zalecamy zamrożone porcje przesunąć na jedną stronę szuflady zamrażania, a świeże porcje do zamrożenia, ułożyć po przeciwnej stronie maksymalnie dosunięte do ściany tylnej i bocznej szuflady.
- Do zamrażania produktów używać przestrzeni oznaczonej ❄️❄️❄️.
- Należy pamiętać, że na temperaturę w komorze zamrażarki mają wpływ między innymi: temperatura otoczenia, stopień wypełnienia produktami żywnościowymi, częstotliwość otwierania drzwi, nastawa termostatu
- Gdyby po zamknięciu komory zamrażarki drzwi nie dawały się natychmiast otworzyć z powrotem, radzimy poczekać 1 do 2 minut, aż powstałe tam podciśnienie zostanie skompensowane.

Czas przechowywania zamrożonych produktów zależy od ich jakości w stanie świeżym przed zamrożeniem, oraz od temperatury przechowywania. Przy zachowaniu temperatury  $-18^{\circ}\text{C}$  lub niższej zalecane są następujące okresy przechowywania:

Produkty	Miesiące
Wołowina	6-8
Cielęcina	3-6
Podroby	1-2
Wieprzowina	3-6
Drób	6-8
Jaja	3-6
Ryby	3-6
Warzywa	10-12
Owoce	10-12

Komora szybkiego chłodzenia nie służy do przechowywania mrożonego jedzenia. W komorze tej można wytwarzać i przechowywać kostki lodu.

Uwaga: Jeżeli urządzenie nie posiada komory ❄️❄️❄️, oznacza to, że To urządzenie chłodnicze nie jest odpowiednie na potrzeby zamrażania środków spożywczych.

\* Dotyczy urządzeń z komorą zamrażarki w dolnej części sprzętu

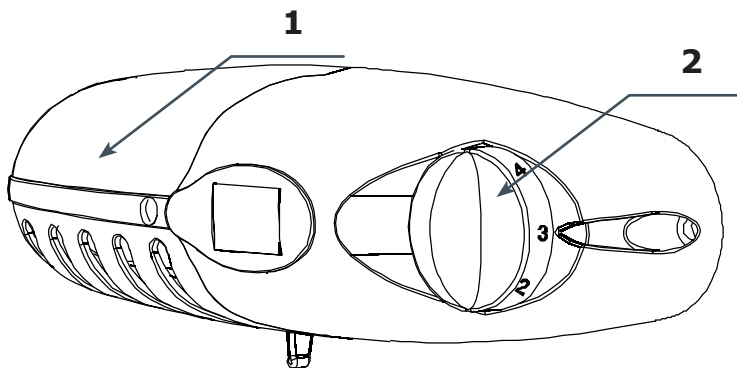
\*\* Dotyczy urządzeń posiadających komorę zamrażarki ❄️❄️❄️

\*\*\* Nie dotyczy urządzeń wyposażonych w komory zamrażania oznaczonych ❄️❄️❄️

# STEROWANIE

## Sterowanie urządzeniem

Panel sterowania jest przedstawiony na rysunku 10, dla przypomnienia znajduje się on również poniżej:



- 1 - Źródło światła  
2 - Termostat

## Regulacja temperatury wewnątrz urządzenia

Zmiana ustawienia pokrętki powoduje zmianę temperatury w urządzeniu:

Pozycja OFF/0 Urządzenie wyłączone

Pozycja 1 W urządzeniu panuje najwyższa temperatura (wewnątrz jest ciepłej)

Pozycje 2-6 W urządzeniu panuje średnia temperatura

Pozycja 7 W urządzeniu panuje najniższa temperatura (wewnątrz jest zimniej)

### Uwaga:

- Pokrętło termostatu w Twoim urządzeniu może być wyskalowane w inny sposób niż w niniejszym opisie. Ogólna zasada jego działania jest opisana powyżej.
- Jeżeli na pokrętle Twojego urządzenia nie ma pozycji oznaczonej jako „OFF” lub „0”, całkowite wyłączenie urządzenia jest możliwe poprzez odłączenie przewodu zasilającego z gniazdka. Przed odłączeniem należy ustawić najniższą wartość na termostacie.

## **Dodatkowe informacje dotyczące temperatury**

- Na temperaturę wewnątrz urządzenia ma wpływ wiele czynników. Ustawienie pokrętki zależy między innymi od temperatury otoczenia, stopnia nasłonecznienia, częstotliwości otwierania drzwi urządzenia, ilości żywności. Ustawienie pośrednie pokrętki jest w większości przypadków najbardziej optymalne.
- Nie należy zapełniać komór przed jej wychłodzeniem, trwa to około 4 h.
- Nie należy zmieniać nastawy temperatury z powodu zmiany pory roku. Wzrost temperatury otoczenia zostanie wykryty przez czujnik i sprężarka automatycznie zostanie uruchomiona przez dłuższy okres czasu w celu utrzymania ustawionej we wnętrzu komór temperatury.
- Niewielkie zmiany temperatury są zjawiskiem normalnym i mogą występować na przykład podczas przechowywania w chłodziarce dużych ilości świeżych produktów lub gdy drzwi pozostały otwarte przez dłuższy okres czasu. Nie będzie to miało wpływu na produkty żywnościowe a temperatura szybko powróci do poziomu nastawy.

# **OŚWIETLENIE**

Rozdział ten dotyczy urządzeń wyposażonych fabrycznie w oświetlenie żarowe oraz wybranych urządzeń wyposażonych w oświetlenie LED w postaci żarówki z gwintem E14.

## **Wymiana oświetlenia**

- Ustawić pokrętkę na pozycję „OFF”, następnie wyjąć wtyczkę z gniazda sieciowego.
- Zdemontować osłonę żarówki i ją ściągnąć (Rys. 18).
- Wymienić żarówkę na sprawną o identycznych parametrach jak fabrycznie zamontowana w urządzeniu (220-240V, gwint E14, maksymalne wymiary bańki: średnica - 26 mm, długość 55 mm).
- Zamocować osłonę żarówki.
- Nie należy stosować żarówek o mniejszej lub większej mocy, stosować jedynie żarówki o parametrach wyżej podanych.

Uwaga:

- Użyte oświetlenie nie może być stosowane do oświetlania pomieszczeń domowych.
- Jeżeli w niniejszej instrukcji nie występuje rysunek oznaczony jako 18, wymiany oświetlenia może dokonać wykwalifikowany technik serwisu.



# JAK EKONOMICZNIE UŻYTKOWAĆ LODÓWKĘ

## Porady praktyczne

- Nie umieszczaj lodówki ani zamrażarki w pobliżu grzejników, piekarników lub narażać na bezpośrednie działanie promieni słonecznych.
- Upewnij się, że otwory wentylacyjne nie są zakryte. Raz lub dwa razy do roku należy je oczyścić, odkurzyć.
- Wybrać właściwą temperaturę: temperatura 6 do 8°C w lodówce oraz -18°C w zamrażarce jest wystarczająca.
- Podczas wyjazdu na urlop, należy zwiększyć temperaturę w lodówce.
- Drzwi lodówki lub zamrażarki otwierać tylko, gdy jest to konieczne. Dobrze jest wiedzieć, jaka żywność jest przechowywana w lodówce i dokładnie gdzie się znajduje. Niewykorzystane produkty należy jak najszybciej schować z powrotem do lodówki lub zamrażarki zanim się nagrzeją.
- Regularnie wycierać wewnątrz lodówki ściereczką nasączoną łagodnym detergentem. Urządzenia bez funkcji automatycznego rozmrażania, należy regularnie rozmrażać. Nie pozwolić na uformowanie się warstwy szronu o grubości powyżej 10 mm.
- Uszczelkę wokół drzwi utrzymywać w czystości, w przeciwnym wypadku drzwi nie będą się całkowicie domykać. Należy zawsze wymienić uszkodzoną uszczelkę.

## Co oznaczają gwiazdki?



Temperatura nie wyższa niż -6°C wystarcza do przechowania zamrożonej żywności przez około tydzień. Szuflady lub komory oznaczone jedną gwiazdką spotyka się (najczęściej) w tańszych lodówkach.



W temperaturze poniżej -12°C można przechowywać żywność przez 1-2 tygodnie bez utraty smaku. Nie jest ona wystarczająca do zamrażania żywności.



Głównie stosowane do zamrażania żywności w temperaturze poniżej -18°C. Pozwala na zamrożenie świeżej żywności o masie do 1 kg.



Tak oznaczone urządzenie pozwala na przechowywanie żywności w temperaturze poniżej -18°C i zamrażanie większych ilości żywności.

## Porady praktyczne

Ze względu na naturalną cyrkulację powietrza, w komorze lodówki występują różne strefy temperatur.

Obszar najchłodniejszy znajduje się bezpośrednio ponad szufladami na warzywa. W tej strefie należy przechowywać delikatne i łatwo psujące się produkty jak:

- ryby, mięso, drób,
- wędliny, gotowe potrawy,
- potrawy lub wypieki zawierające jaja lub śmietanę,
- świeże ciasto, mieszanki ciast,
- pakowane warzywa i inną świeżą żywność z etykietą nakazującą przechowywanie w temperaturze około 4°C.

Najcieplej jest w górnej części drzwi. Tutaj najlepiej przechowywać masło i sery.

## Produkty, których nie należy przechowywać w lodówce

Nie wszystkie produkty nadają się do przechowywania w lodówce. Należą do nich:

- owoce i warzywa wrażliwe na niskie temperatury, jak na przykład banany, avocado, papaja, marakuja, bakłażany, papryka, pomidory i ogórki,
- owoce niedojrzałe,
- ziemniaki.

Uwaga:

Przykładowe rozmieszczenie produktów w urządzeniu- Rys. 12.

Aby osiągnąć najlepszy poziom konserwacji żywności przez jak najdłuższy okres i uniknąć jej marnowania, należy rozmieścić produkty jak pokazano na Rys 12. Dodatkowo rysunek ten obrazuje rozkład szuflad, koszy i półek, który umożliwi najbardziej efektywne wykorzystanie energii przez urządzenie chłodnicze.

Przechowywanie żywności w odpowiednich warunkach i temperaturze, wydłuży jej okres przydatności do spożycia i zoptymalizuje zużycie energii elektrycznej. Zakres odpowiednich temperatur powinien znajdować się na opakowaniach lub etykietach produktów spożywczych.

# ODSZRANIANIE, MYCIE I KONSERWACJA

Uwaga: Do czyszczenia obudowy i części plastikowych wyrobu nigdy nie używać rozpuszczalników oraz ostrych, ściernych środków czyszczących (np. proszków czy mleczek do czyszczenia)! Stosować tylko delikatne środki myjące w płynie oraz miękkie szmatki. Nie używać gąbek.

## Odszranianie i mycie chłodziarki \*\*\*

- Na ścianie tylnej komory chłodziarki powstaje szron, który jest usuwany automatycznie. W czasie odszraniania, wraz ze skroplinami, do otworu w rynience mogą dostawać się zanieczyszczenia. Może to spowodować zatkanie otworu. W takim przypadku otwór należy delikatnie przetkać przepychaczem (Rys. 13).
- Urządzenie pracuje cyklicznie: chłodzi (wówczas na ścianie tylnej osadza się szron) następnie odszrania się (krople spływają po ścianie tylnej).
- Przed przystąpieniem do czyszczenia należy bezwzględnie odłączyć urządzenie od zasilania, poprzez wyjęcie wtyczki z gniazdka sieciowego, wyłączenie lub wykręcenie bezpiecznika. Nie wolno dopuścić do tego, aby woda dostała się do panelu sterowania lub oświetlenia.
- Nie zalecamy stosować środków do rozmrażania w aerozolu. Mogą one powodować powstawanie mieszanin wybuchowych, zawierając rozpuszczalniki mogące uszkodzić plastikowe części urządzenia, a nawet być szkodliwe dla zdrowia.
- Należy zwrócić uwagę, aby w miarę możliwości woda używana do mycia nie spływała przez otwór odpływowy do pojemnika odparowania.
- Całe urządzenie z wyjątkiem uszczelki drzwi należy myć delikatnym detergentem. Uszczelkę w drzwiach należy wyczyścić czystą wodą i wytrzeć do sucha.
- Należy umyć ręcznie dokładnie wszystkie elementy wyposażenia (pojemniki na warzywa, balkoniki, półki szklane itp.).

## Odszranianie i mycie zamrażarki\*\*

- Odszranianie komory zamrażania zaleca się połączyć z myciem wyrobu.
- Większe nagromadzenie się lodu na powierzchniach mrozących, utrudnia skuteczność pracy urządzenia i powoduje zwiększone zużycie energii elektrycznej.
- Zalecamy rozmrażać urządzenie przynajmniej raz lub dwa razy w roku. W razie większego nagromadzenia się lodu, rozmrażanie należy przeprowadzać częściej.
- Jeśli w środku znajdują się produkty, to należy ustawić pokrętko na pozycję max. na około 4 godziny przed planowanym rozmrożeniem. Zapewni to możliwość przechowywania produktów w temperaturze otoczenia przez dłuższy czas.
- Po wyjęciu żywności z zamrażarki należy włożyć do miski, owinąć kilkoma warstwami papieru gazetowego, zawinąć w koc i przechowywać w chłodnym miejscu.
- Rozmrażanie zamrażarki powinno być przeprowadzone możliwie szybko. Dłuższe przechowywanie produktów w temperaturze otoczenia, skraca czas ich przydatności do spożycia.

## **Aby odszronić komorę zamrażarki, należy\*\***

- Wyłączyć urządzenie przy pomocy panelu sterowania, następnie wyjąć wtyczkę z gniazdka.
- Otworzyć drzwi, wyjąć produkty.
- W zależności od modelu wysun kanalik odpływowy znajdujący się w dolnej części komory zamrażarki i podstaw naczynie.
- Zostawić drzwi otwarte, przyspieszy to proces rozmrażania. Dodatkowo można umieścić w komorze zamrażarki naczynie z gorącą (ale nie gotującą się) wodą.
- Wymyć i wysuszyć wewnątrz zamrażarki.
- Uruchomić urządzenie zgodnie z odpowiednim punktem instrukcji.

## **Automatyczne odszranianie chłodziarki\*\*\*\***

Komora chłodziarki została wyposażona w funkcję automatycznego odszraniania. Jednakże na tylnej ścianie komory chłodziarki może stworzyć szron. Dzieje się tak zazwyczaj, gdy wiele świeżych produktów spożywczych przechowuje się w komorze chłodziarki.

## **Automatyczne odszranianie zamrażarki\*\*\*\***

Komora zamrażarki została wyposażona w funkcję automatycznego odszraniania (no-frost). Żywność jest zamrażana schłodzonym powietrzem obiegowym, a wilgoć z komory zamrażarki odprowadzana na zewnątrz. W rezultacie w zamrażarce nie tworzy się zbędne oblodzenie i szron a produkty nie przymarzają do siebie.

## **Mycie ręczne komory chłodziarki i zamrażarki.\*\*\*\***

Zaleca się aby co najmniej raz do roku umyć komorę chłodziarki i zamrażarki. Zapobiega to powstawaniu bakterii i nieprzyjemnych zapachów. Należy wyłączyć cały wyrób, wyciągnąć z komór produkty i umyć przy użyciu wody z dodatkiem delikatnego detergentu. Na koniec wytrzeć komory szmatką.

## **Wymowanie i wkładanie półek\*\*\*\*\***

Unieść i wysunąć półkę, a następnie wsunąć do oporu tak, aby zatrząsk półki znalazł się w wybraniu prowadnicy (Rys. 15).

## **Wymowanie i wkładanie balkonika\*\*\*\*\***

Unieść balkonik, wyjąć i wsadzić od góry z powrotem w pożądane położenie (Rys. 16).

Uwaga: W żadnym wypadku do wnętrza zamrażarki nie wolno wstawiać grzejnika elektrycznego, nawiewowego, ani suszarki do włosów.

\*\* Dotyczy urządzeń posiadających komorę zamrażarki .

\*\*\* Nie dotyczy urządzeń z Systemem Bezsronowym  
Dotyczy urządzeń posiadających komorę chłodziarki.

\*\*\*\* Nie dotyczy urządzeń z Systemem Bezsronowym  
Dotyczy urządzeń wyposażonych w System Bezsronowy

\*\*\*\*\* Nie dotyczy zamrażarek

# LOKALIZACJA USTEREK

Objawy	Możliwe przyczyny	Sposób naprawy
Urządzenie nie działa	Przerwa w obwodzie instalacji elektrycznej	<ul style="list-style-type: none"> <li>- sprawdzić, czy wtyczka jest włożona prawidłowo do gniazda sieci zasilającej</li> <li>- sprawdzić, czy kabel zasilający urządzenia nie jest uszkodzony</li> <li>- sprawdzić, czy jest napięcie w gniazdku podłączającym inne urządzenie np. lampkę nocną</li> <li>- sprawdzić, czy urządzenie jest włączone poprzez ustawienie termostatu na pozycji większej od „OFF” lub „0”.</li> </ul>
Nie działa oświetlenie wewnętrznej komory	Żarówka jest poluzowana lub przepalona (W urządzeniach z oświetleniem żarowym).	<ul style="list-style-type: none"> <li>- sprawdzić punkt poprzedni „Urządzenie nie działa”</li> <li>- dokręcić lub wymienić przepaloną żarówkę (W urządzeniach z oświetleniem żarowym).</li> </ul>
Ciągła praca urządzenia	Złe ustawienie pokrętki regulacyjnego	<ul style="list-style-type: none"> <li>- przestawić pokrętkę na niższą pozycję</li> </ul>
	Pozostałe przyczyny jak w pkt „Urządzenie zbyt słabo chodzi i/lub mrozi”	<ul style="list-style-type: none"> <li>- sprawdzić wg pkt. poprzedniego „Urządzenie zbyt słabo chłodzi i/lub mrozi”</li> </ul>
W dolnej części chłodziarki gromadzi się woda	Otwór odprowadzenia wody jest niedrożny (dotyczy urządzeń z otworem do odprowadzania skroplin)	<ul style="list-style-type: none"> <li>- przeczyszczyć otwór odpływowy (patrz instrukcja obsługi rozdział - „Odszranianie chłodziarki”)</li> </ul>
	Utrudniony obieg powietrza wewnątrz komory	<ul style="list-style-type: none"> <li>- ułożyć produkty spożywcze i pojemniki tak aby nie dotykały tylnej ściany chłodziarki</li> </ul>
Dźwięki nie pochodzące od normalnej pracy urządzenia	Urządzenie nie jest wypoziomowane	<ul style="list-style-type: none"> <li>- wypoziomować urządzenie</li> </ul>
	Urządzenie styka się z meblami i/lub innymi przedmiotami	<ul style="list-style-type: none"> <li>- urządzenie ustawić swobodnie tak, aby nie dotykało innych przedmiotów</li> </ul>

	Złe ustawienie pokrętkła regulacyjnego	- przestawić pokrętkło na wyższą pozycję
	Temperatura otoczenia jest większa lub mniejsza od temperatury podanej w tabeli ze specyfikacją techniczną urządzenia.	- urządzenie przystosowane jest do pracy w temperaturze, która jest podana w tabeli ze specyfikacją techniczną urządzenia.
	Urządzenie stoi w miejscu nasłonecznionym lub w pobliżu źródeł ciepła	- zmienić miejsce ustawienia urządzenia wg. instrukcji obsługi
	Jednorazowy załadunek dużą ilością ciepłych produktów	- poczekać do 72 godzin na wychłodzenie (zmarzenie) produktów i osiągnięcie żądanej temperatury wewnątrz komory
Urządzenie zbyt słabo chłodzi i/lub mrozi	Utrudniony obieg powietrza wewnątrz urządzenia	- ułożyć produkty spożywcze i pojemniki tak aby nie dotykały tylnej ściany chłodziarki
	Utrudniony obieg powietrza z tyłu urządzenia	- odsunąć urządzenie od ściany min. 30 mm
	Drzwiczki chłodziarki/zamrażarki są zbyt często otwierane i/lub za długo pozostają otwarte	- zmniejszyć częstotliwość otwierania drzwi i/lub skrócić czas, w którym drzwi pozostają otwarte
	Drzwi nie domykają się	- produkty i pojemniki ułożyć tak aby nie utrudniały zamykania drzwi
	Kompresor rzadko się załącza	- sprawdzić, czy temperatura otoczenia nie jest mniejsza niż zakres klasy klimatycznej
	Złe włożona uszczelka drzwi	- wcisnąć uszczelkę

W trakcie normalnego użytkowania sprzętu chłodniczego mogą wystąpić różnego rodzaju dźwięki, które nie mają żadnego wpływu na poprawną pracę lodówki.

Dźwięki, które łatwo usunąć:

- hałas, gdy lodówka nie stoi pionowo - wyregulować ustawienie przy pomocy wkręcanych nóżek z przodu. Ewentualnie pod rolki z tyłu podłożyć miękki materiał, szczególnie gdy podłoga jest z płytek.
- ocieranie się o sąsiedni mebel - odsunąć lodówkę.
- skrzypienie szuflad lub półek - wyjąć i ponownie włożyć szufladę lub półkę.
- dźwięki od dotykających się butelek - odsunąć butelki od siebie.

Dźwięki, które mogą być słyszalne podczas prawidłowej eksploatacji wynikają z pracy termostatu, sprężarki (załączenie), układu chłodniczego (kurczenie i rozszerzanie materiału pod wpływem różnic temperatur oraz przepływu czynnika chłodzącego).

# GWARANCJA, OBSŁUGA POSPRZEDAŻOWA

## Gwarancja

Świadczenia gwarancyjne wg karty gwarancyjnej. Producent nie odpowiada za jakiegokolwiek szkody spowodowane nieprawidłowym postępowaniem z wyrobem.

## Serwis

- Producent sprzętu sugeruje, by wszelkie naprawy i czynności regulacyjne były wykonywane przez Serwis Fabryczny lub Serwis Autooryzowany producenta. Ze względu na bezpieczeństwo nie należy naprawiać urządzenia we własnym zakresie.
- Naprawy, wykonywane przez osoby nie posiadające wymaganych kwalifikacji mogą stanowić poważne niebezpieczeństwo dla użytkownika urządzenia.
- Minimalny okres obowiązywania gwarancji na urządzenie oferowane przez producenta, importera lub upoważnionego przedstawiciela jest podany w karcie gwarancyjnej.
- Urządzenie traci gwarancję w wyniku samowolnych adaptacji, przeróbek, naruszenia plomb lub innych zabezpieczeń sprzętu lub jego części oraz innych samowolnych ingerencji w sprzęt niezgodnych z instrukcją obsługi.

Zgłoszenie naprawy oraz pomoc w razie usterki

Jeżeli urządzenie wymaga naprawy, należy skontaktować się z serwisem. Dane adresowe serwisu jak i kontaktowy numer telefonu znajduje się w karcie gwarancyjnej. Przed kontaktem należy przygotować numer seryjny urządzenia, znajduje się on na tabliczce znamionowej. Dla wygody przepisz go poniżej:

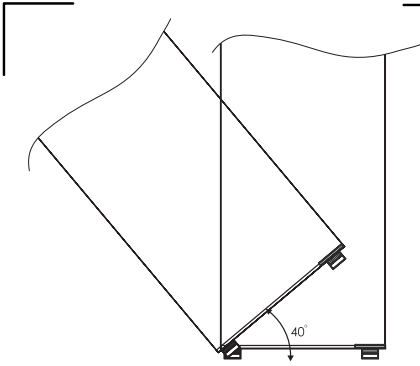
--	--	--	--	--	--	--	--	--	--	--	--	--	--	--	--	--	--	--	--

## Oświadczenie producenta

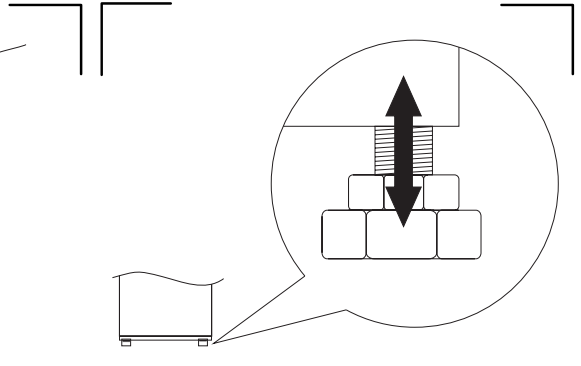
Producent deklaruje niniejszym, że wyrób ten spełnia zasadnicze wymagania wymienionych poniżej dyrektyw europejskich:

- **dyrektywy niskonapięciowej 2014/35/UE**
- **dyrektywy kompatybilności elektromagnetycznej 2014/30/UE**
- **dyrektywy ekoprojektowania 2009/125/UE**
- **dyrektywy RoHS 2011/65/UE**

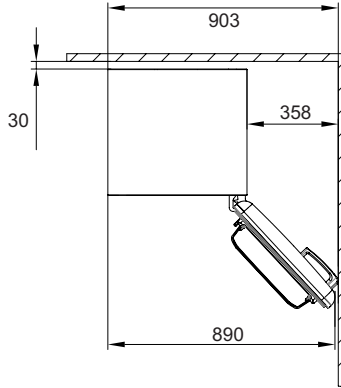
i dlatego wyrób został oznakowany **CE** oraz została wystawiona dla niego deklaracja zgodności udostępniana organom nadzorującym rynek.



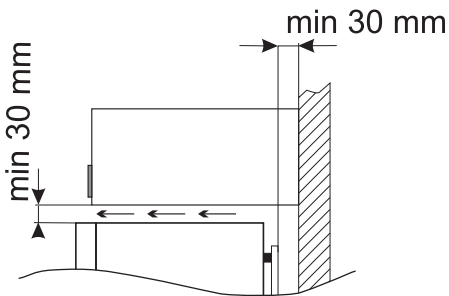
2



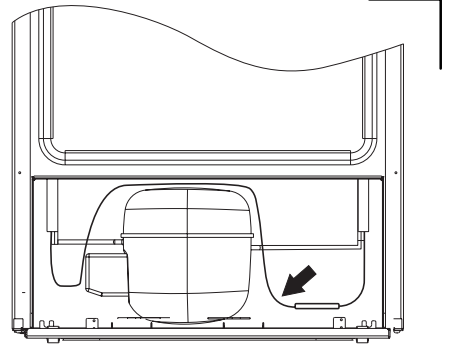
3



5

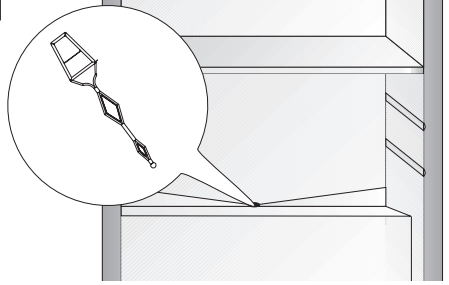
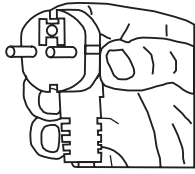
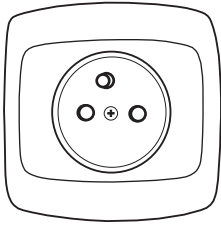


6



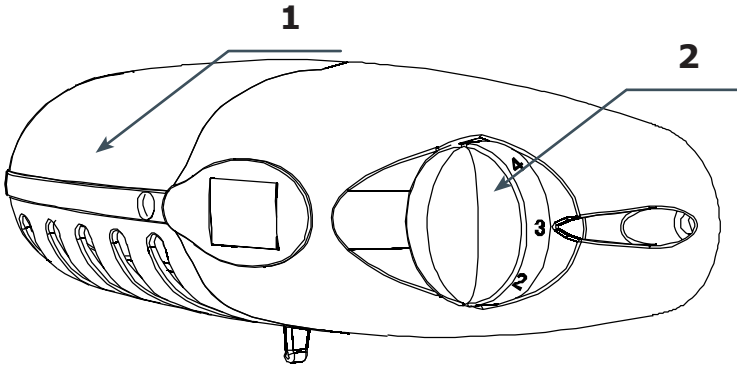
8





9

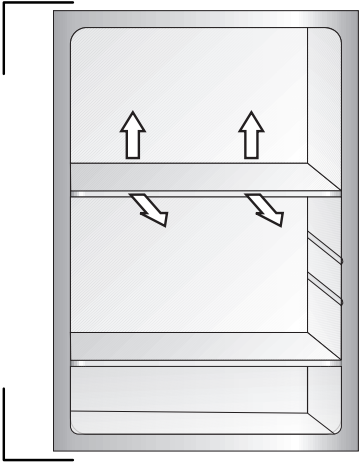
13



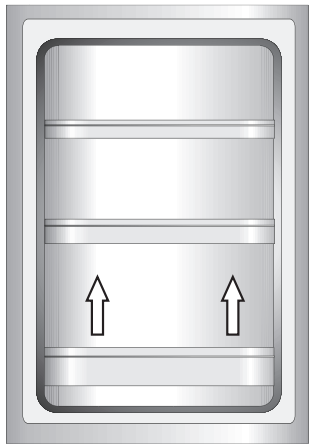
10



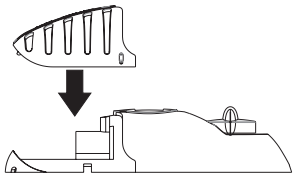
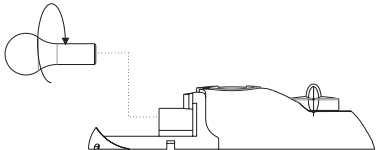
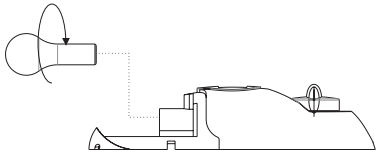
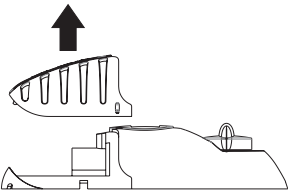
12



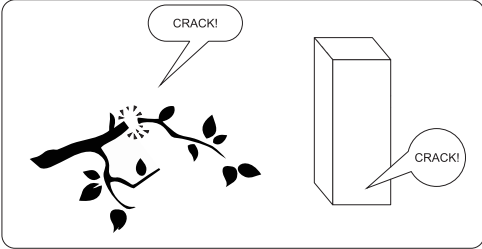
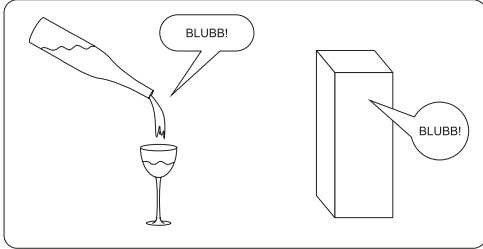
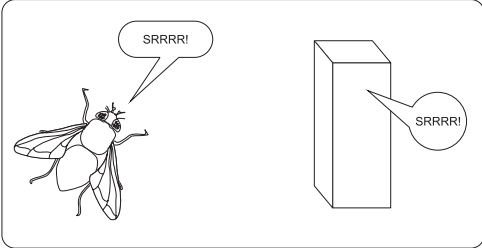
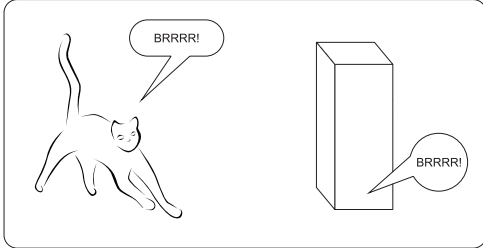
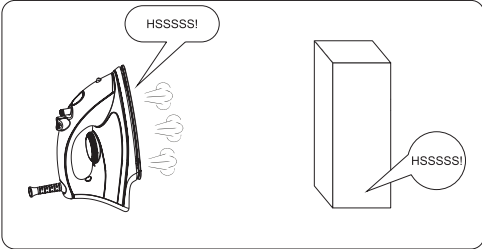
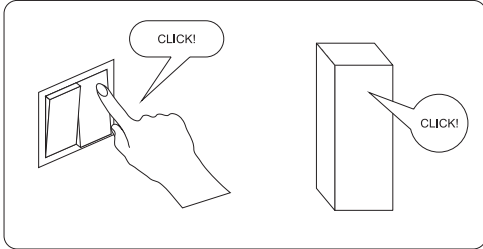
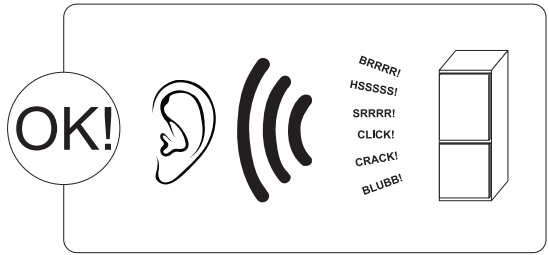
15



16



18



**Amica S.A.**  
ul . Mickiewicza 52 / 64-510 Wronki  
tel. 67 25 46 100 / fax 67 25 40 320  
[www.amica.pl](http://www.amica.pl)

**Amica International GmbH**  
Lüdinghauser Str. 52  
D-59387 Ascheberg  
Tel: 0 25 93 - 95 67-0  
[www.amica-group.de](http://www.amica-group.de)