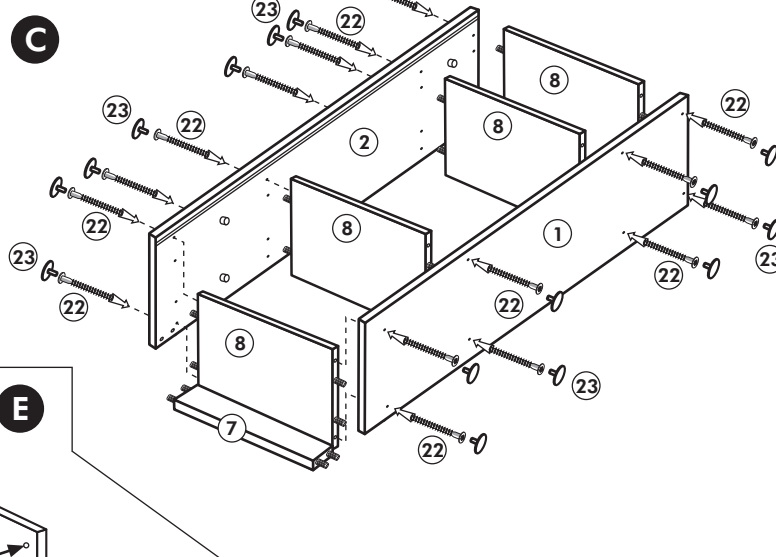
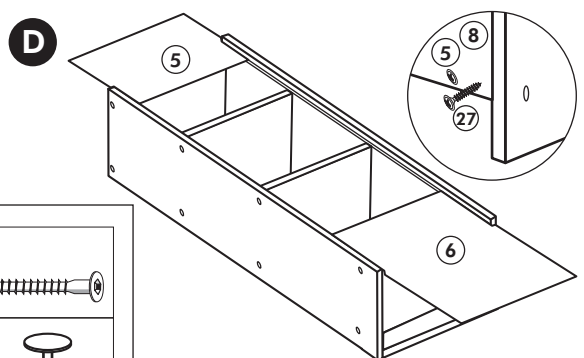
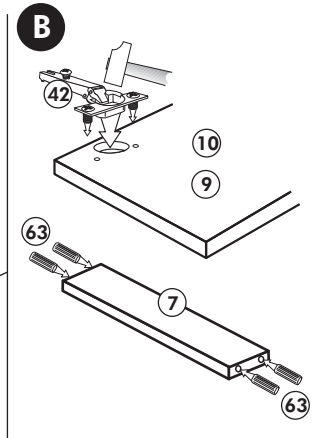
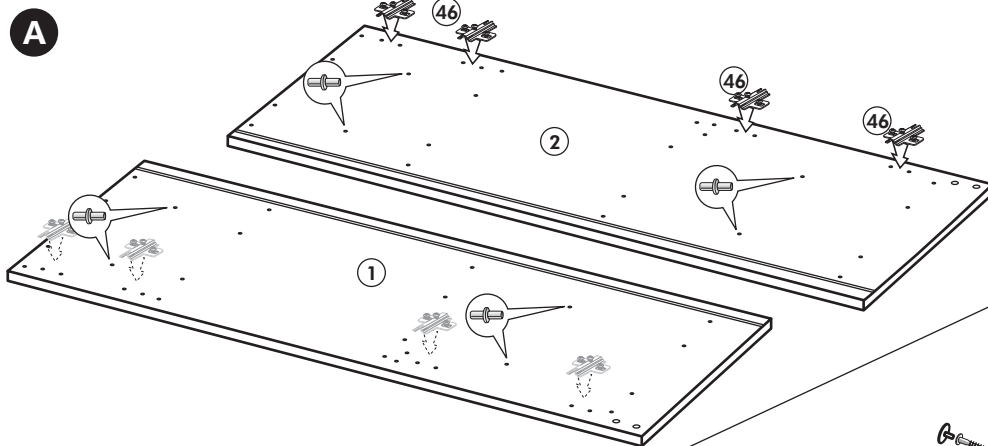
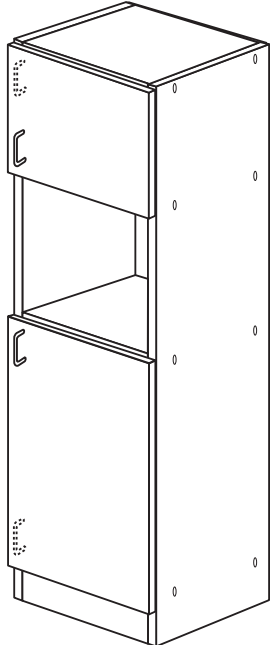
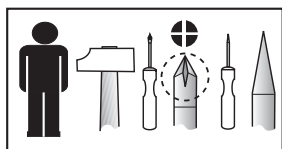


Backofenumbau 200cm

Nr. 313 Rev.00



| | | | | | | | | | | | | | | | | | | | | | | | |
|------|-------|-------|------|----|-----|----|-----|----|----------|----|----|----|--------|----|----------|----|----|----|----|----|-----|----|----|
| 1x 1 | 1x 2 | 1x 10 | 4x 8 | 22 | 16x | 23 | 16x | 26 | 4x | 34 | 8x | 63 | 4x | 27 | 16x | 42 | 4x | 46 | 4x | 60 | 4x | 21 | 2x |
| | | | 1x 6 | | Ø3 | | Ø3 | | 4,0 x 30 | | | | 8 x 30 | | 3,0 x 20 | | | | | | Ø 5 | | |
| | | | 1x 9 | | | | | | M4 | | | | | | | | | | | | | | |
| | | | 1x 7 | | | | | | | | | | | | | | | | | | | | |
| | 1x 5 | | | | | | | | | | | | | | | | | | | | | | |
| | 2x 11 | | | | | | | | | | | | | | | | | | | | | | |

