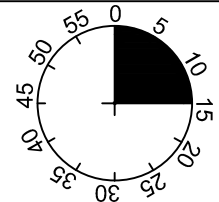
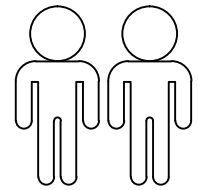
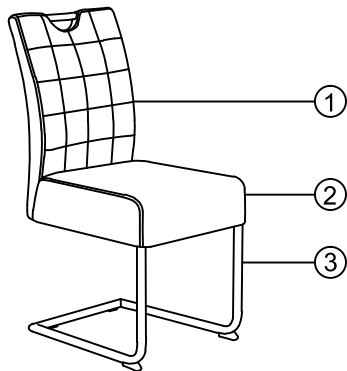


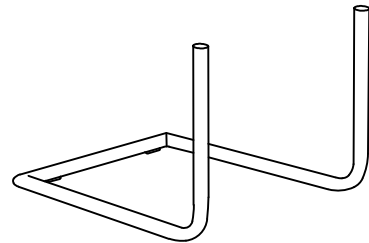
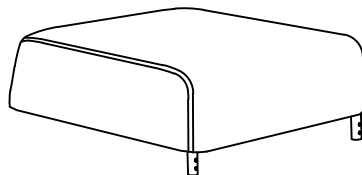
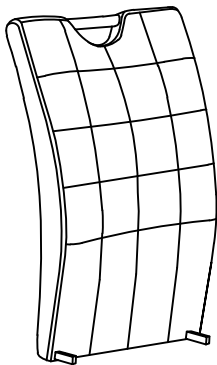
Denise



1

2

3



1	1x
2	1x
3	1x

A M6x16



4x

B M6x12



4x

C 4MM



1x

D M4x20



4x

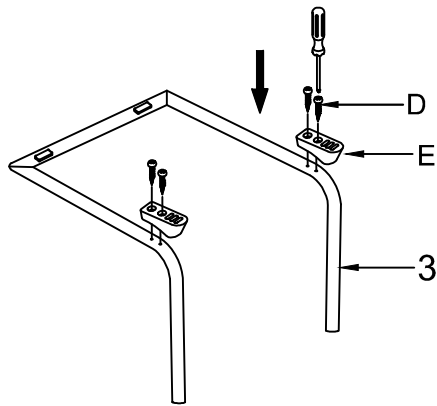
E



2x

I.

1

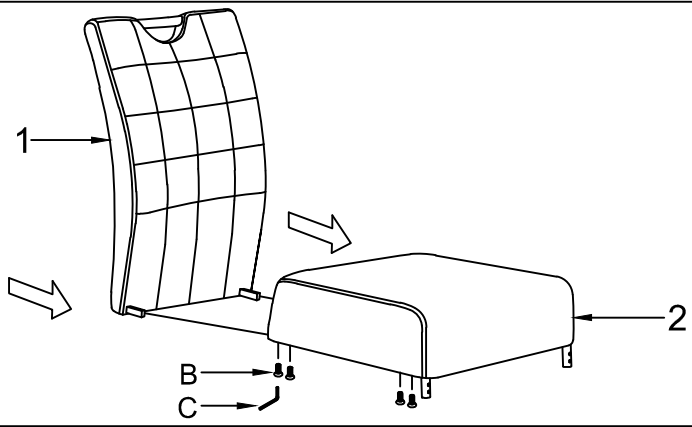


D M4x20
4x

E
2x

100%

2

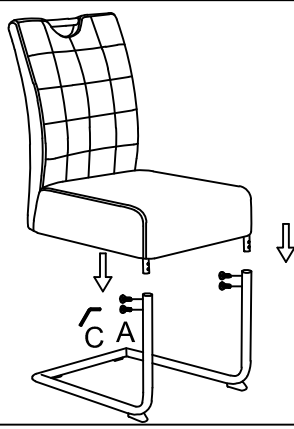


B M6x12
4x

C 4MM
1x

75%

3

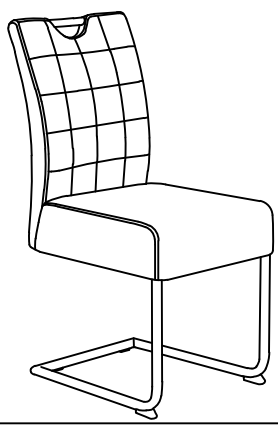


A M6x16
4x

C 4MM
1x

75%

4



C 4MM
1x

100%

