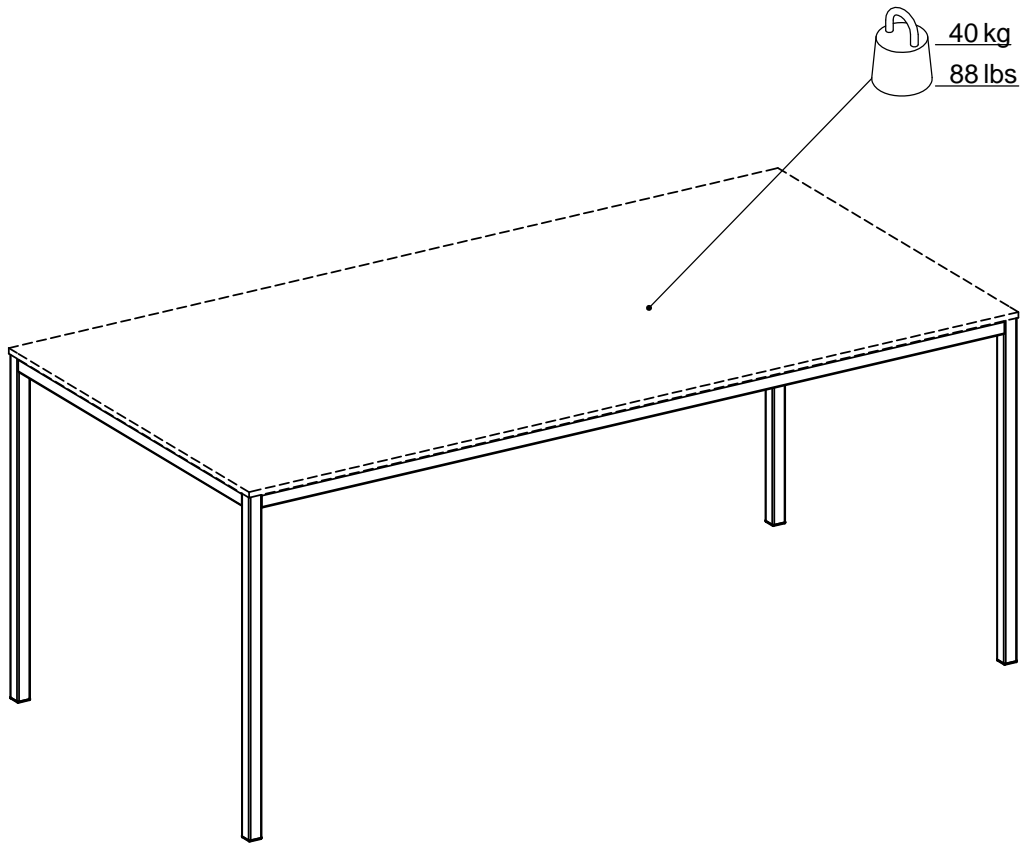
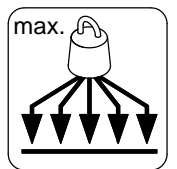


# tvilum

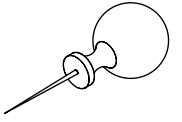
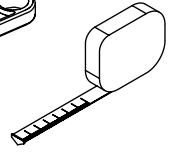
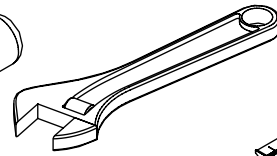
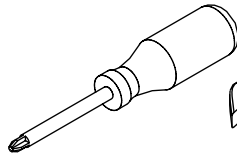
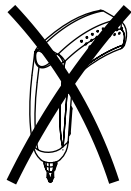
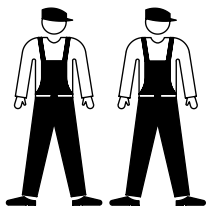


**75477** D

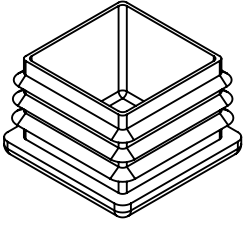


[www.tvilum.com](http://www.tvilum.com)

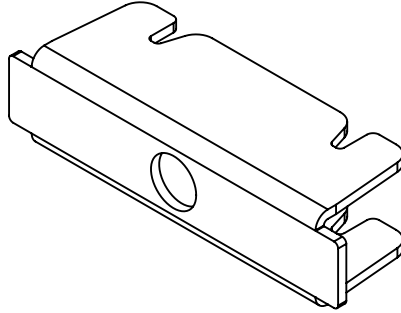




66795.04  
x4



66795.05  
x4



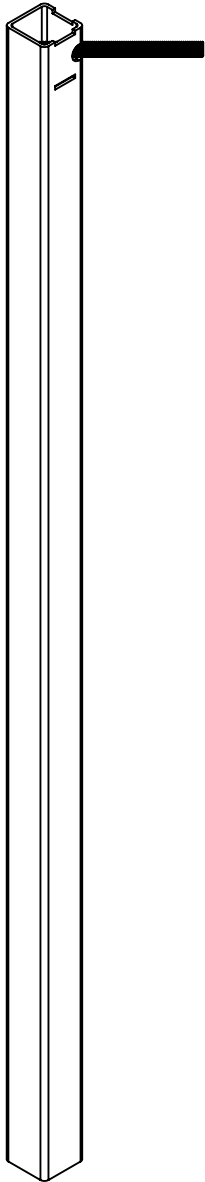
21210  
x4



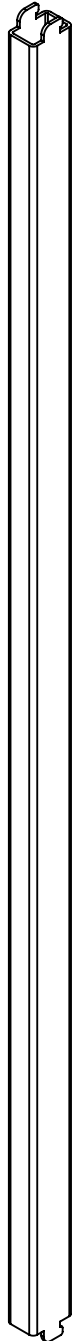
21620  
x4



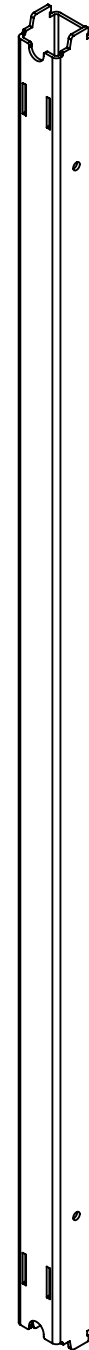
66795.01  
x4



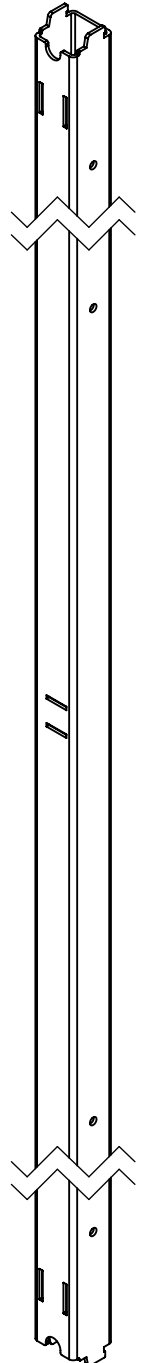
66795.09  
x1



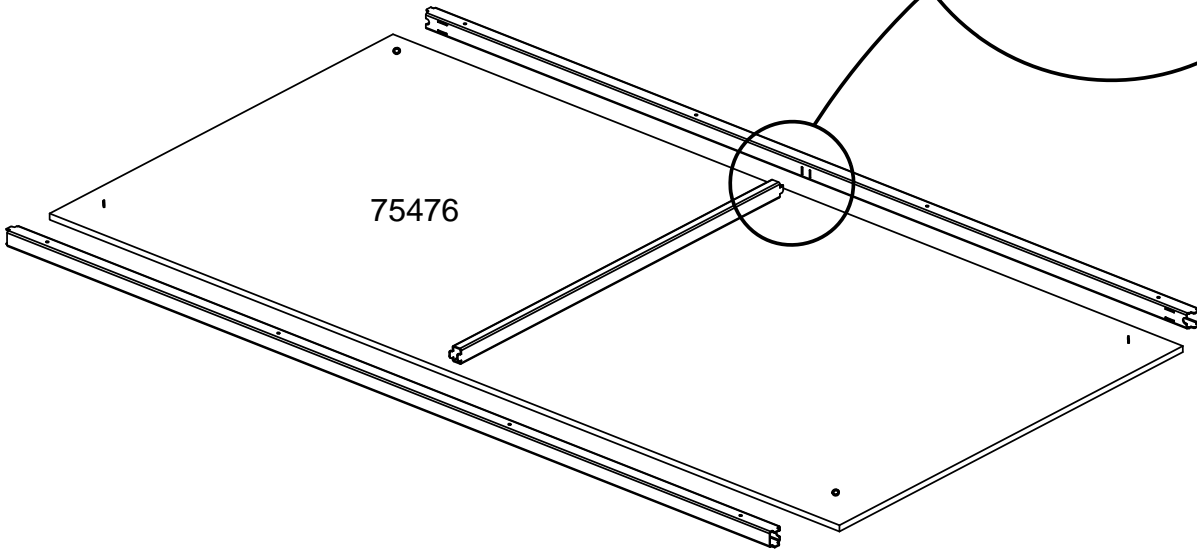
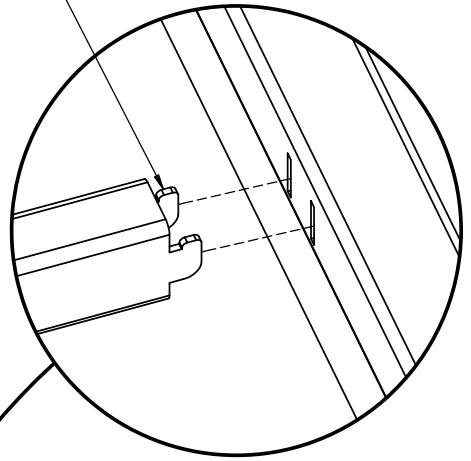
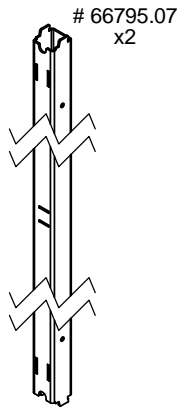
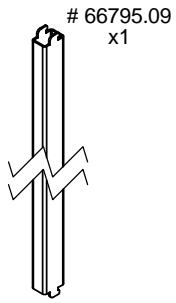
66795.08  
x2



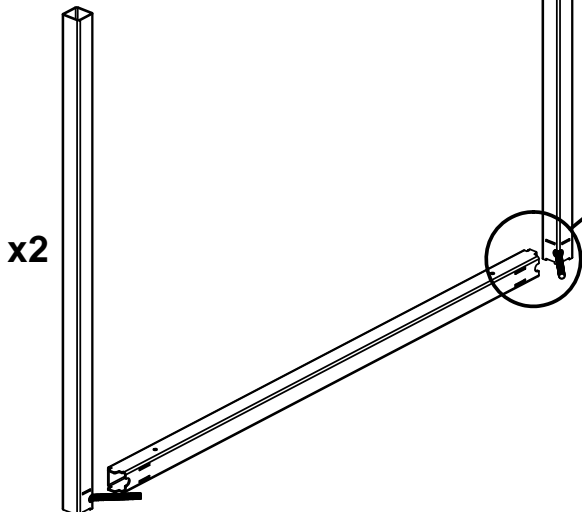
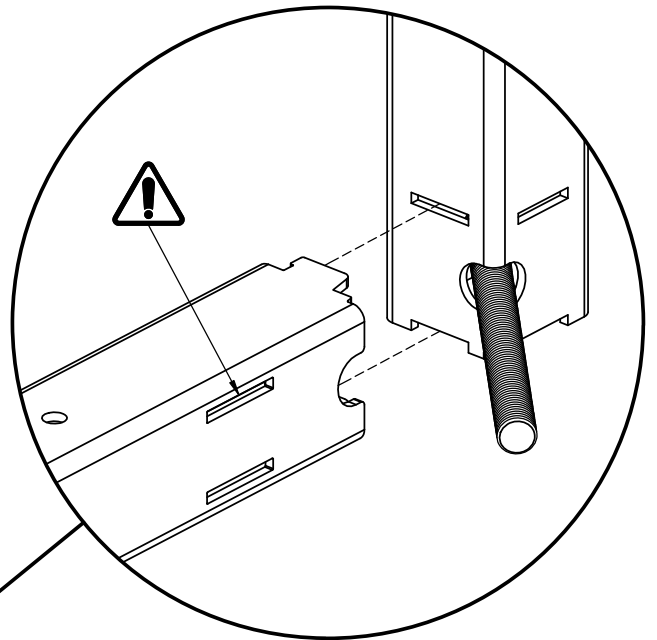
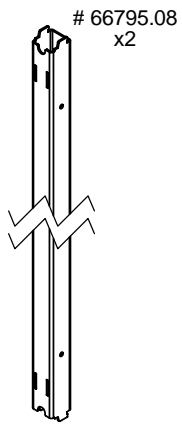
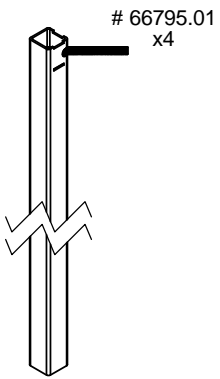
66795.07  
x2



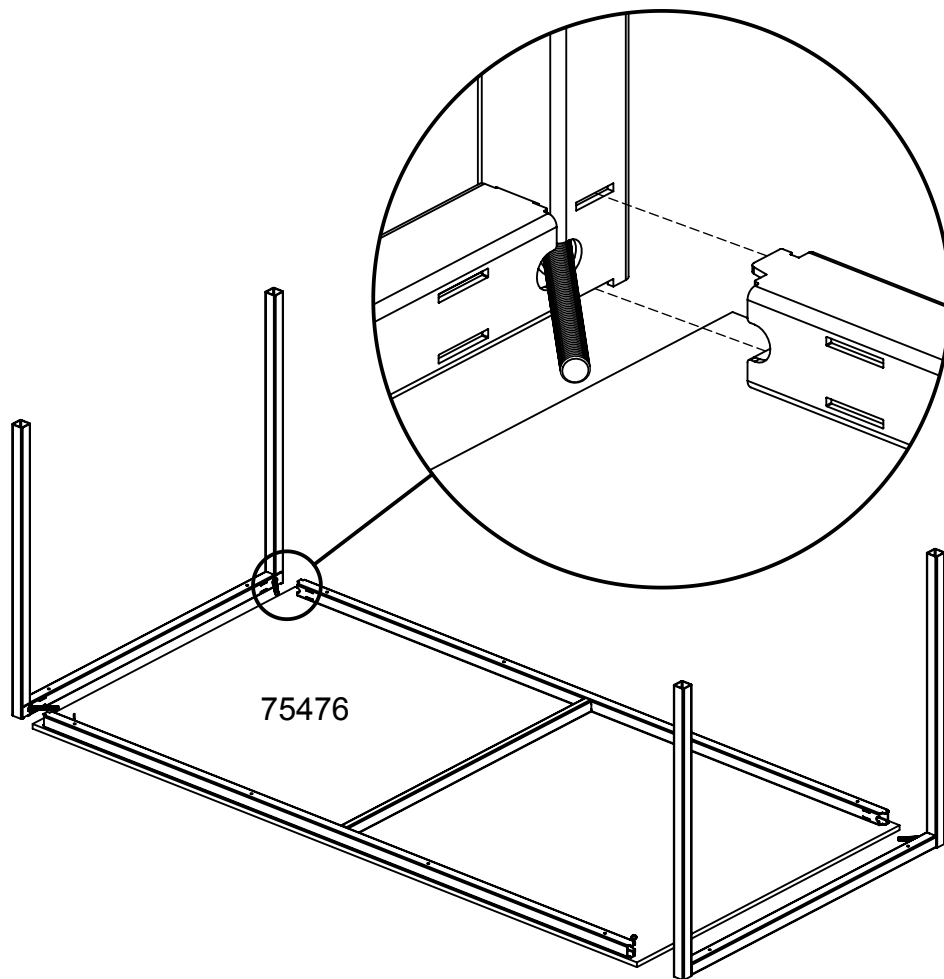
1



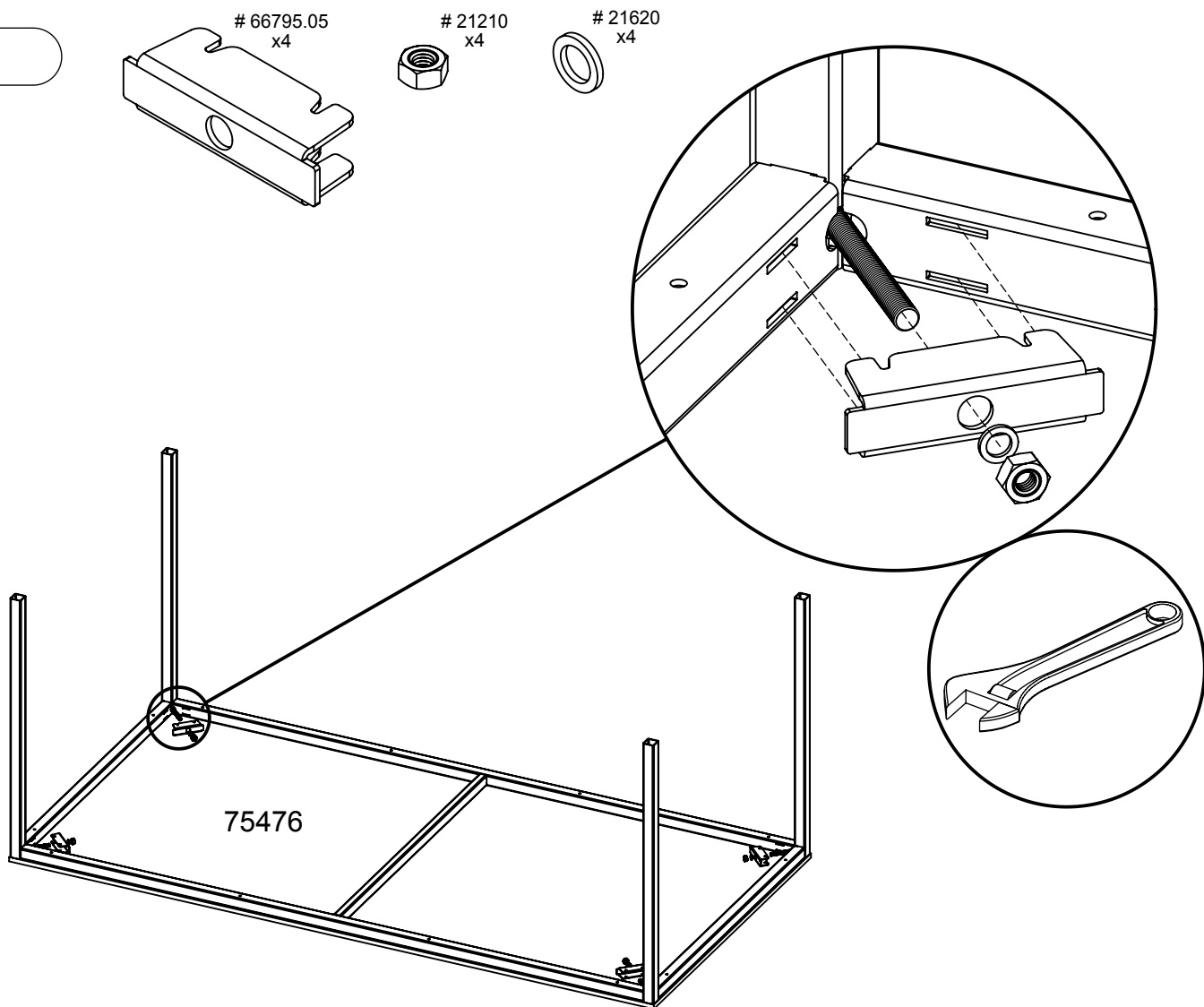
2



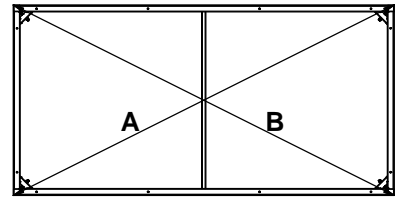
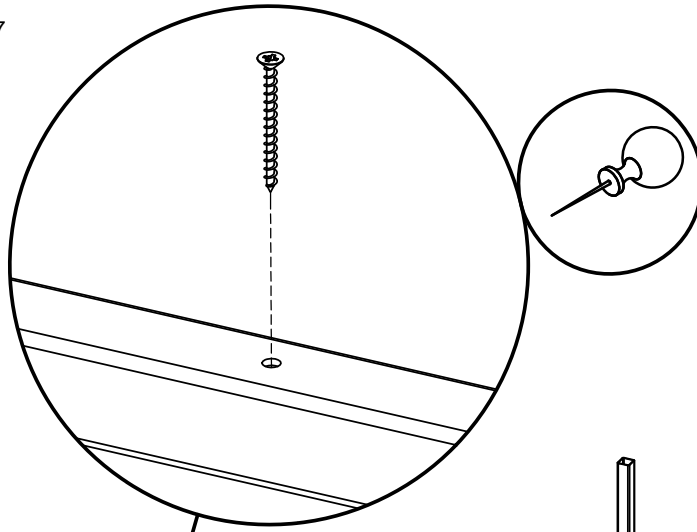
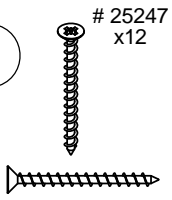
3



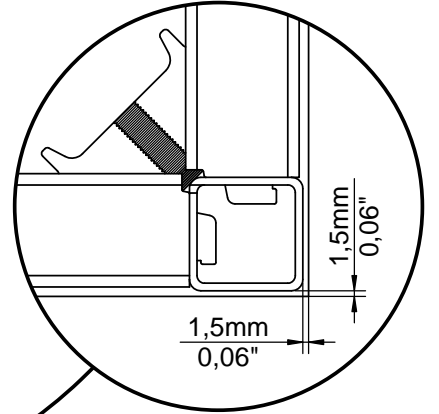
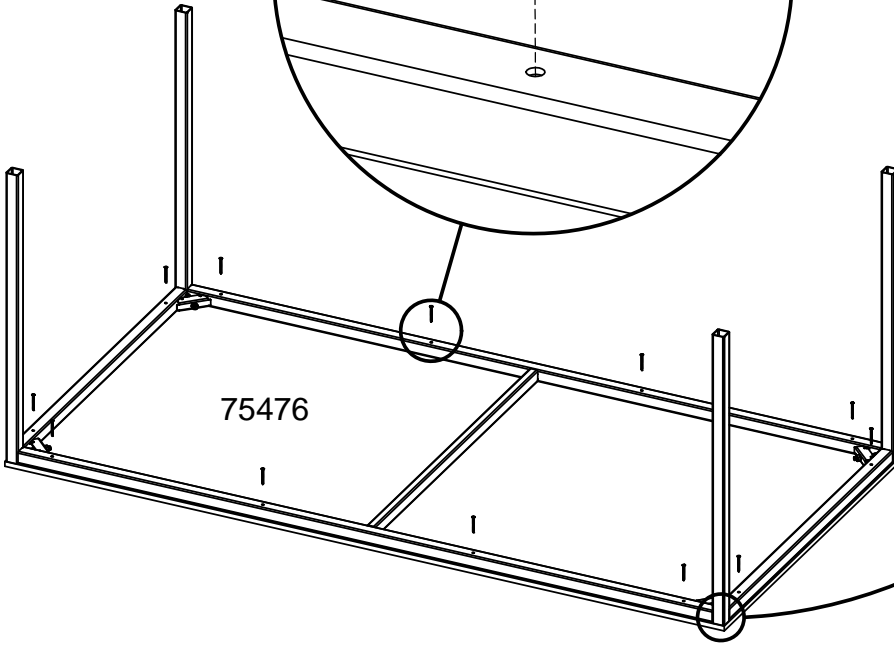
4



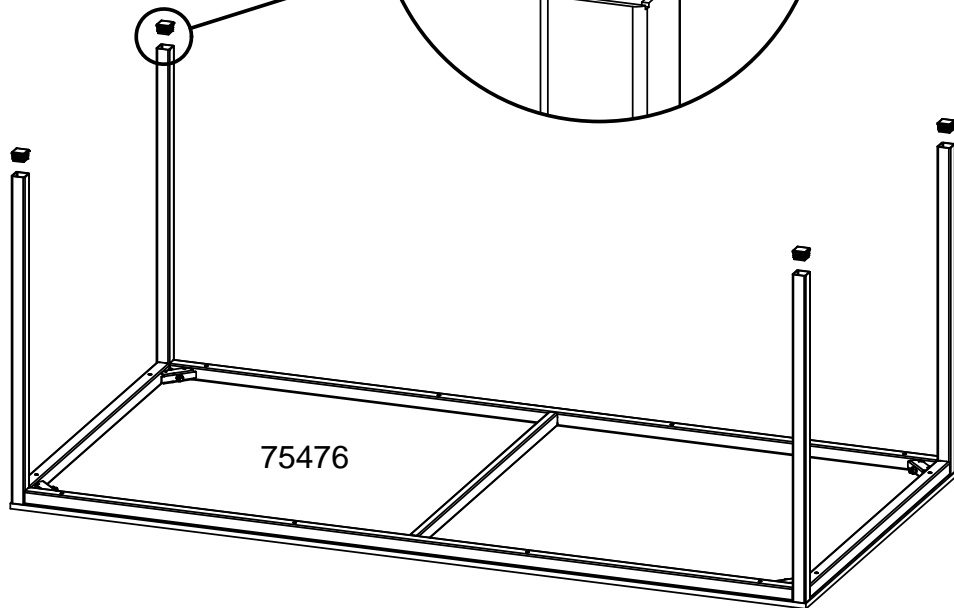
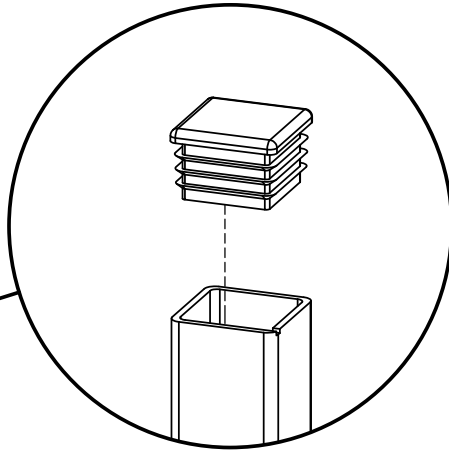
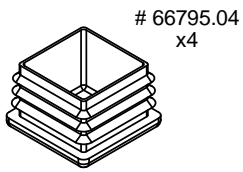
5



A = B



6



7

x4

