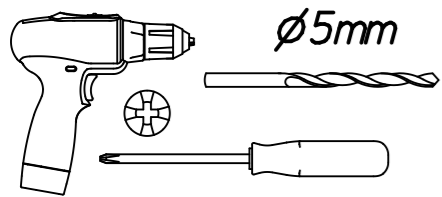


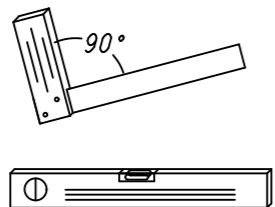
1.

M1815_04

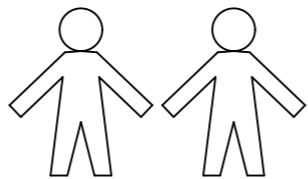
rauch



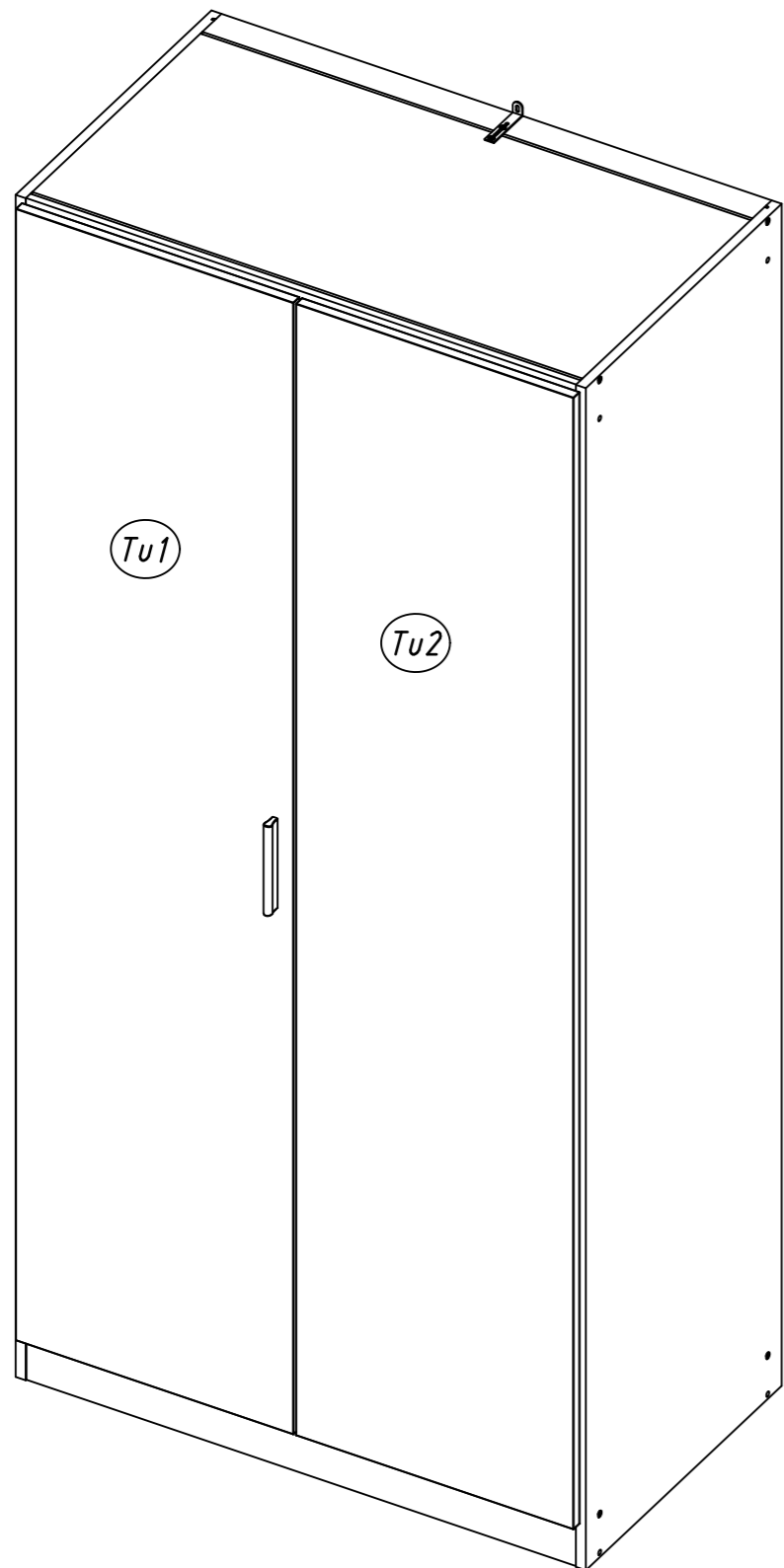
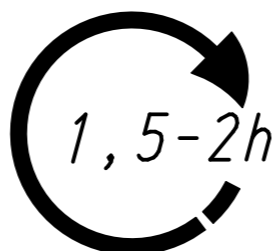
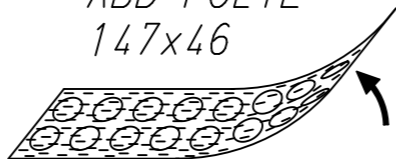
∅5mm



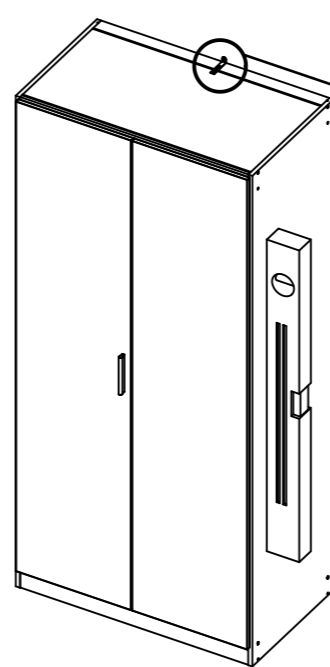
90°



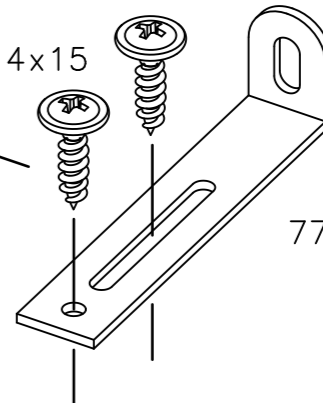
ABD-FOLIE
147x46



2.

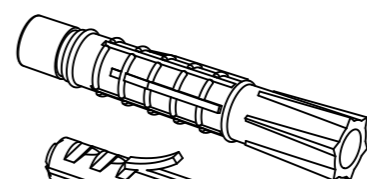
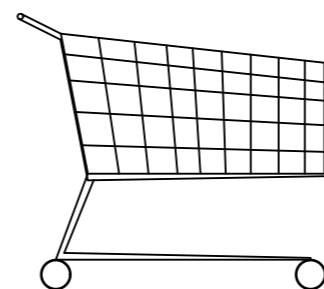
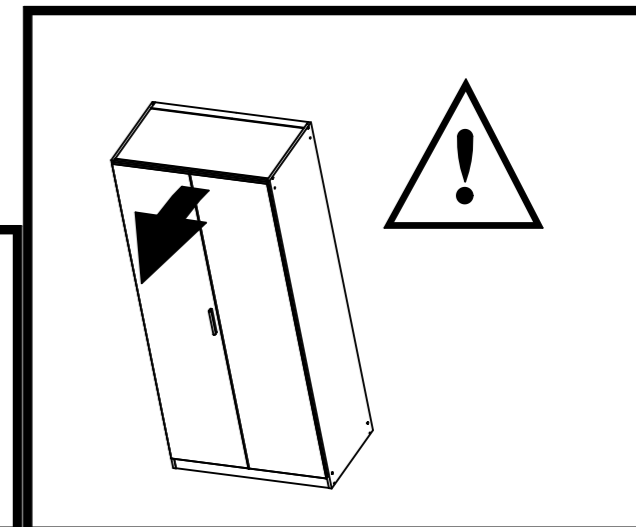
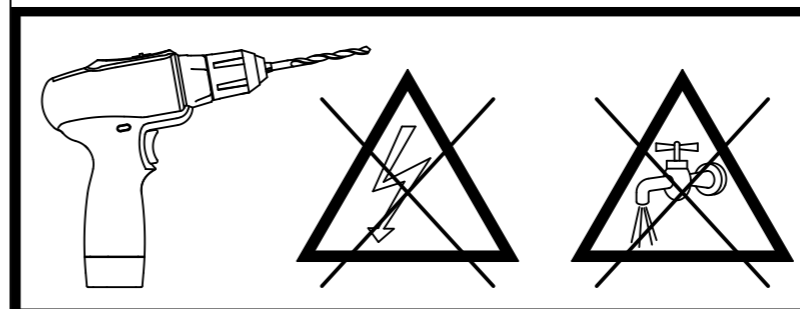


201 4x15



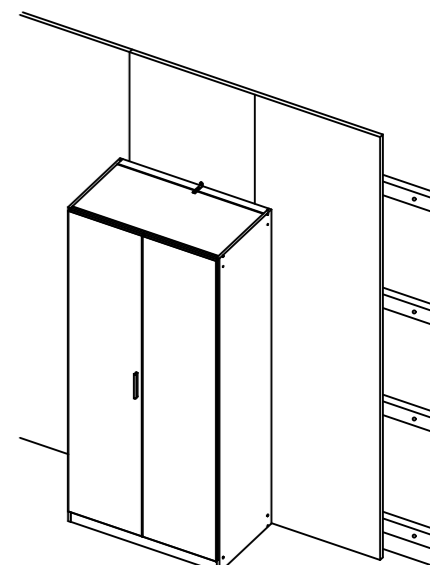
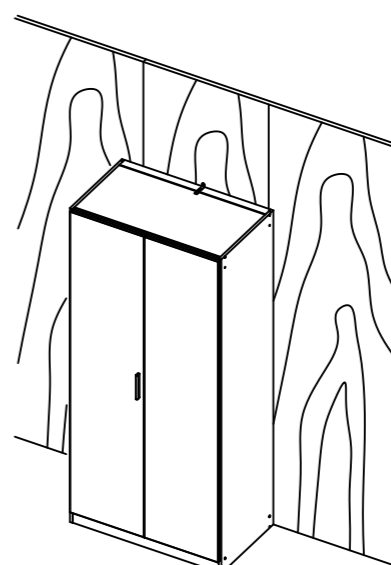
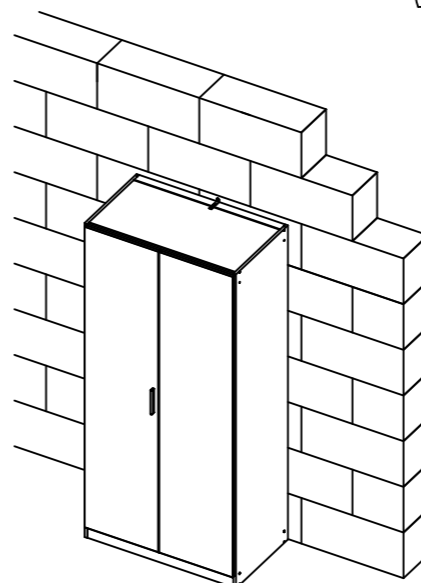
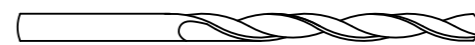
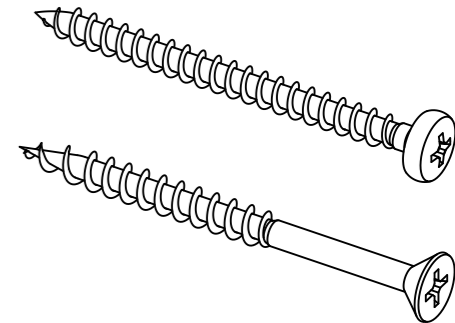
68

77x15x22

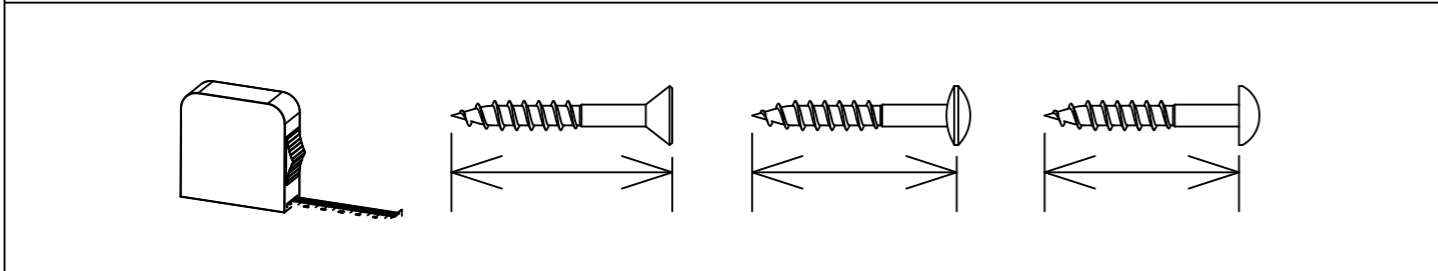
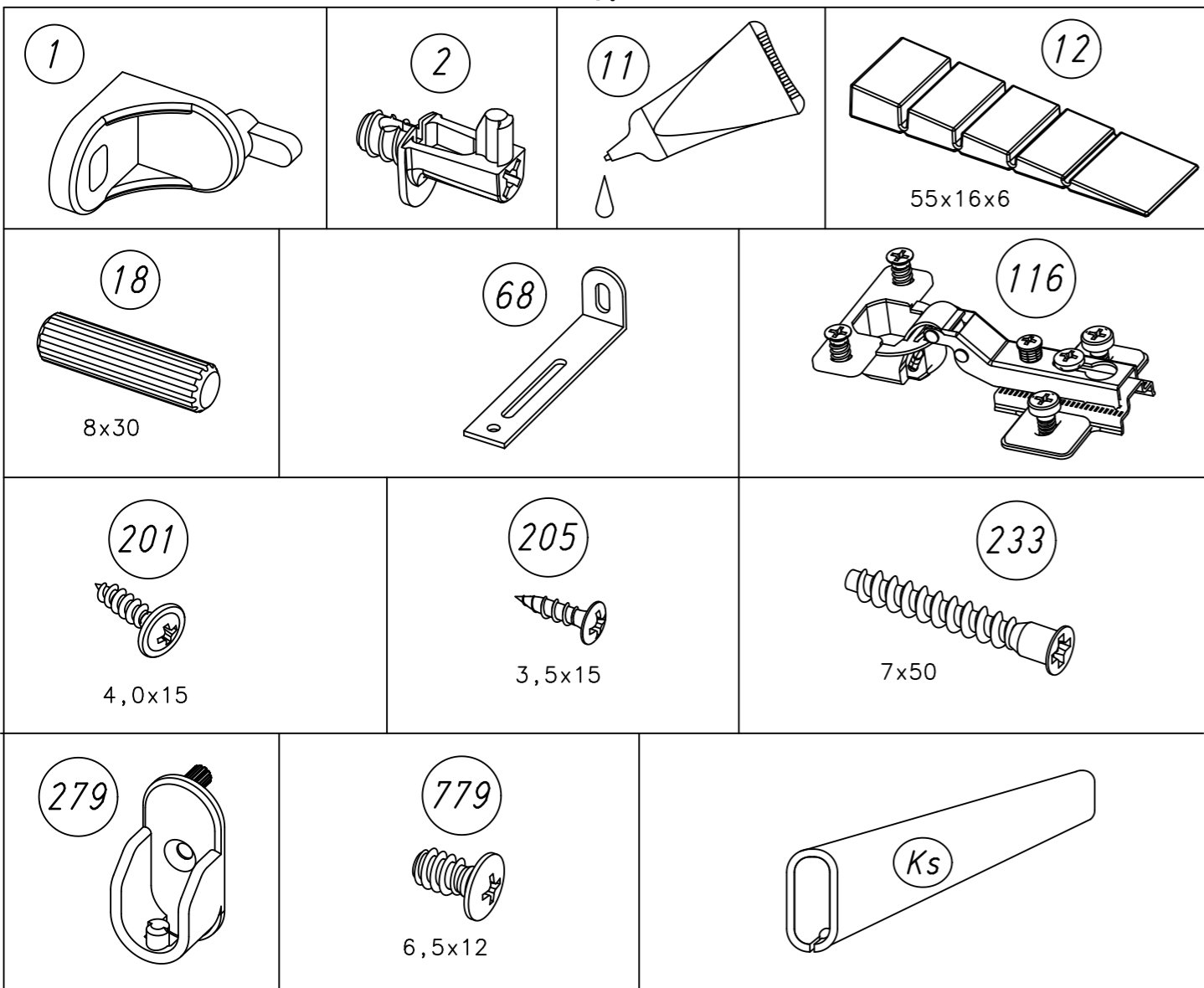


?

∅Xmm



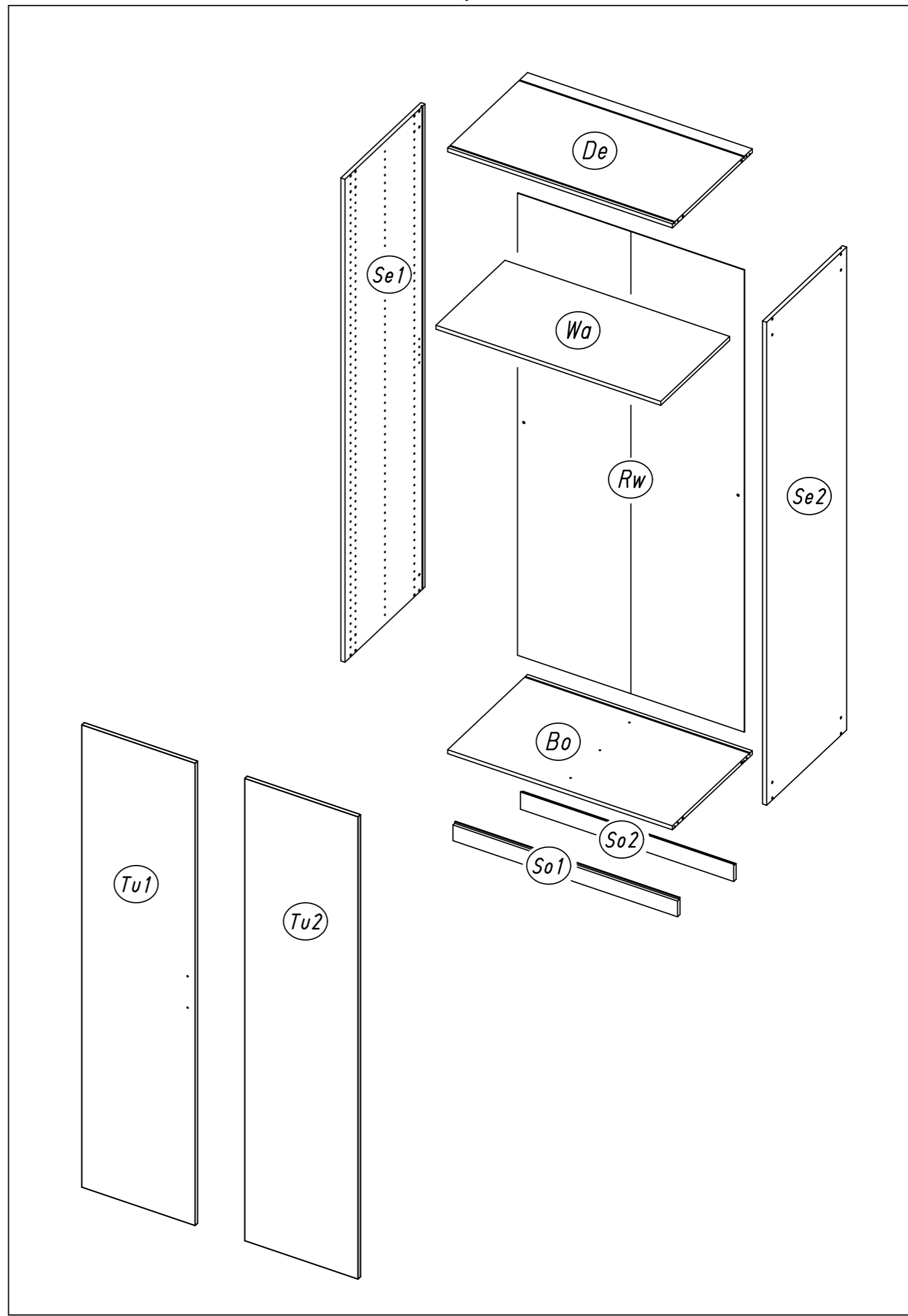
3.



0 20 40 60 80 100 mm

M1815

4.

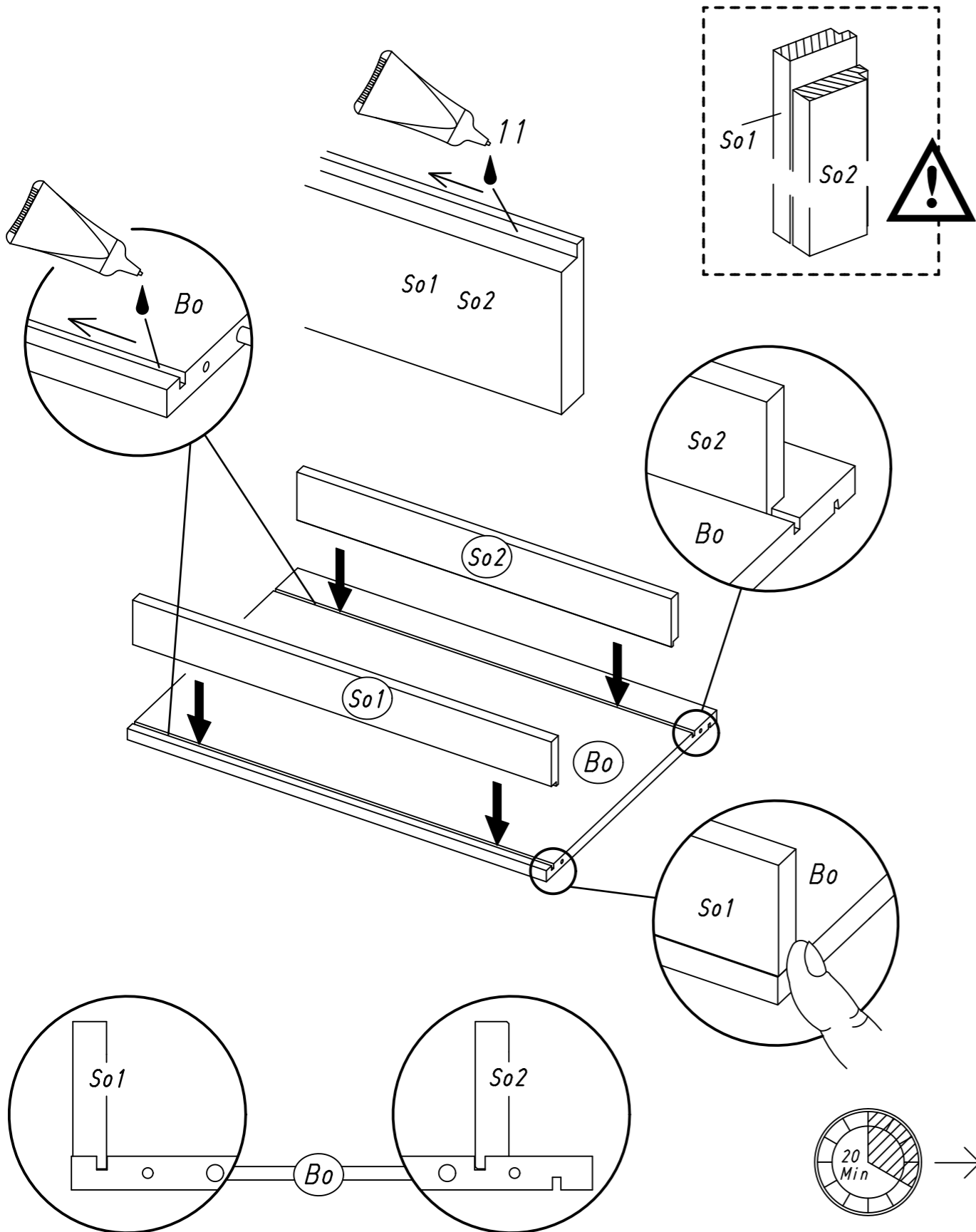
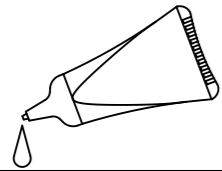


M1815

5.

1

11

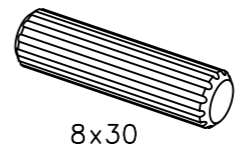


M1815

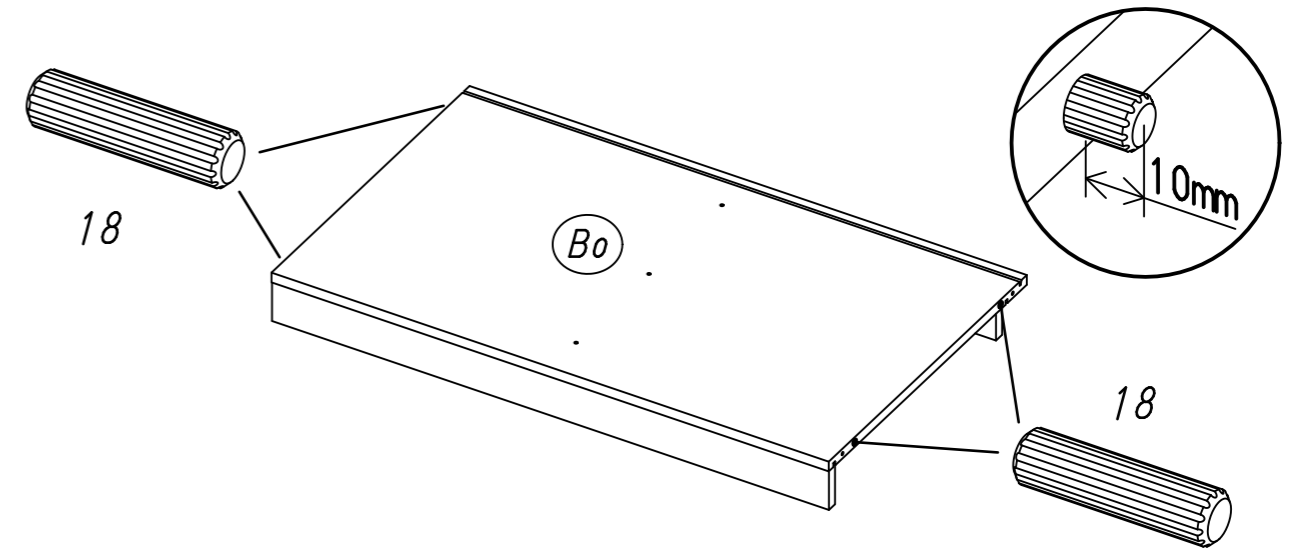
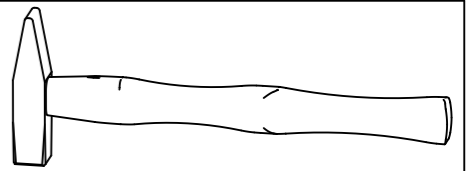
6.

2

4x 18



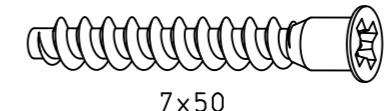
8x30



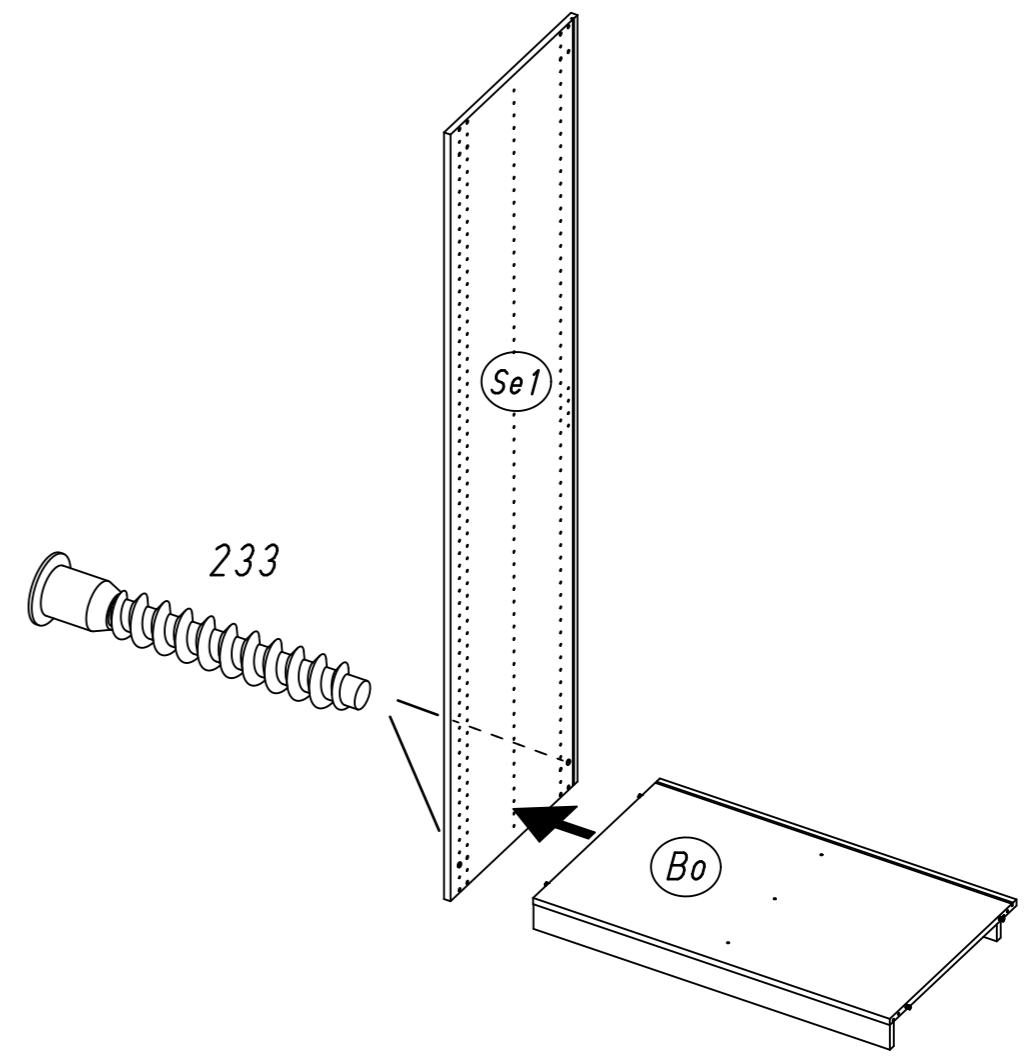
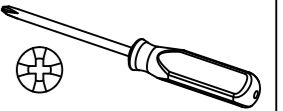
3

2x

233



7x50

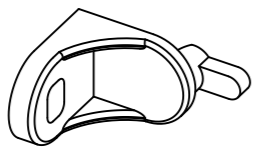


M1815

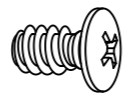
7.

4

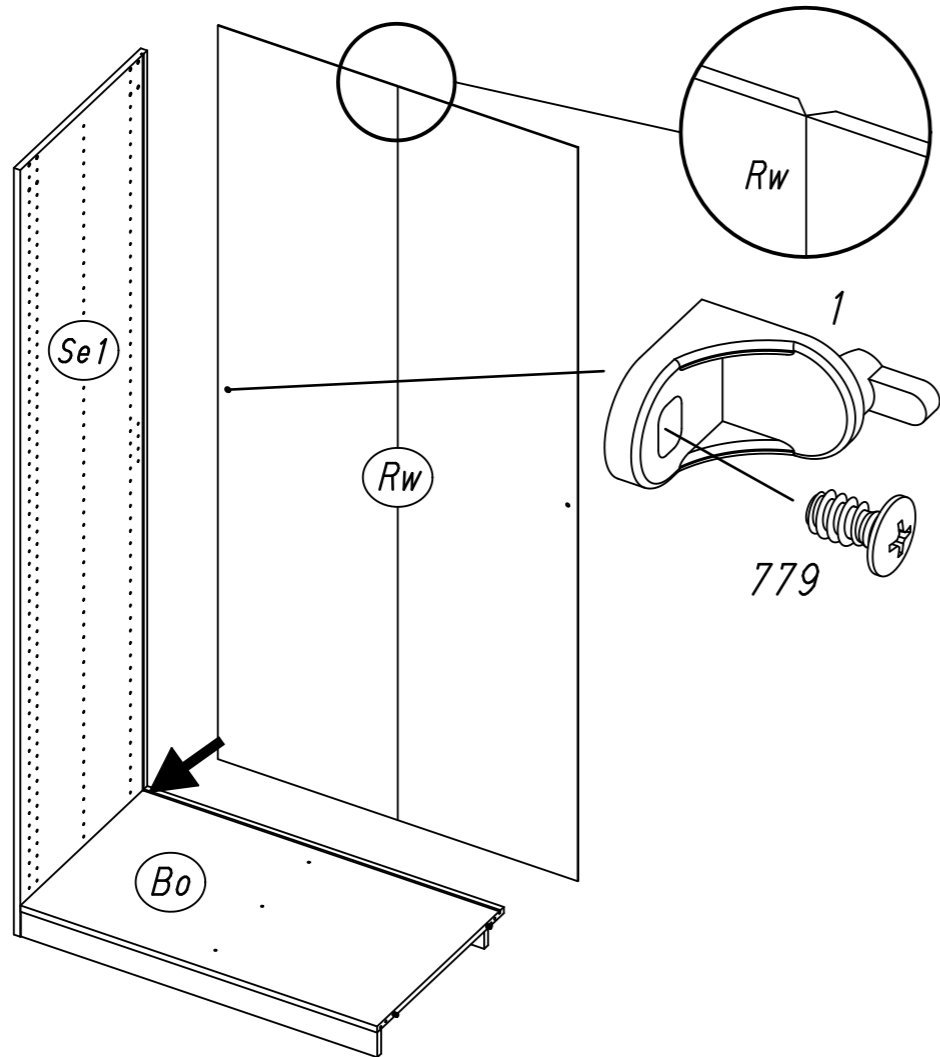
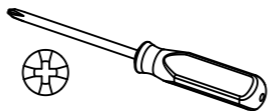
1x 1



1x 779



6,5x12



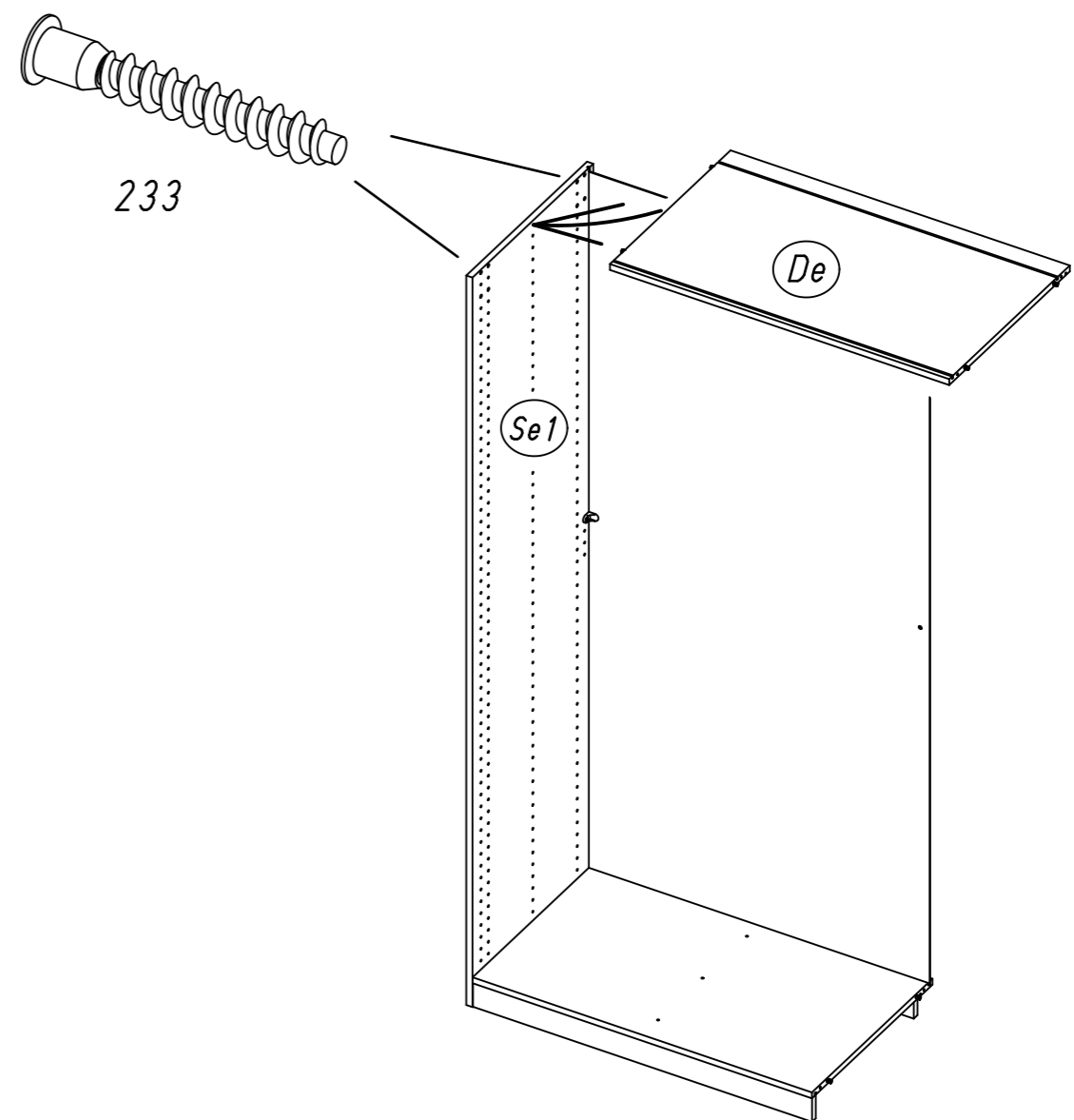
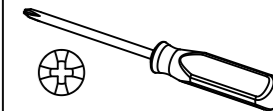
8.

6

2x 233

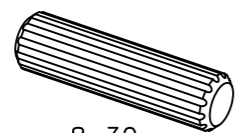


7x50

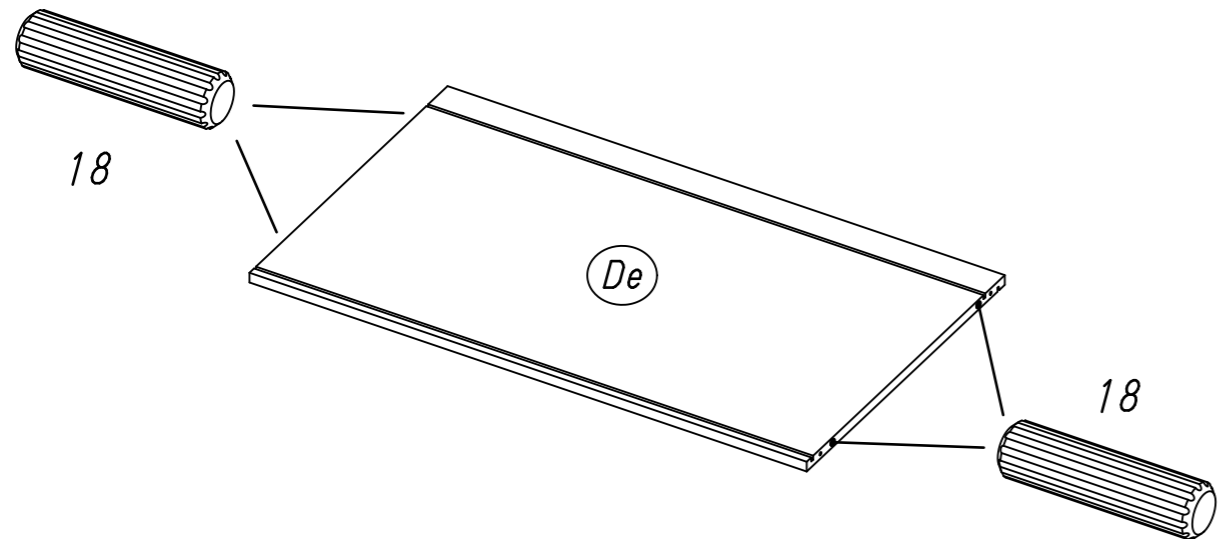
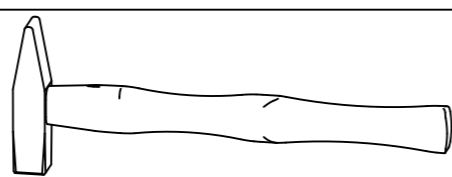


5

4x 18



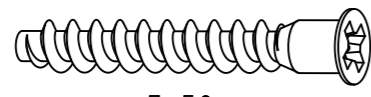
8x30



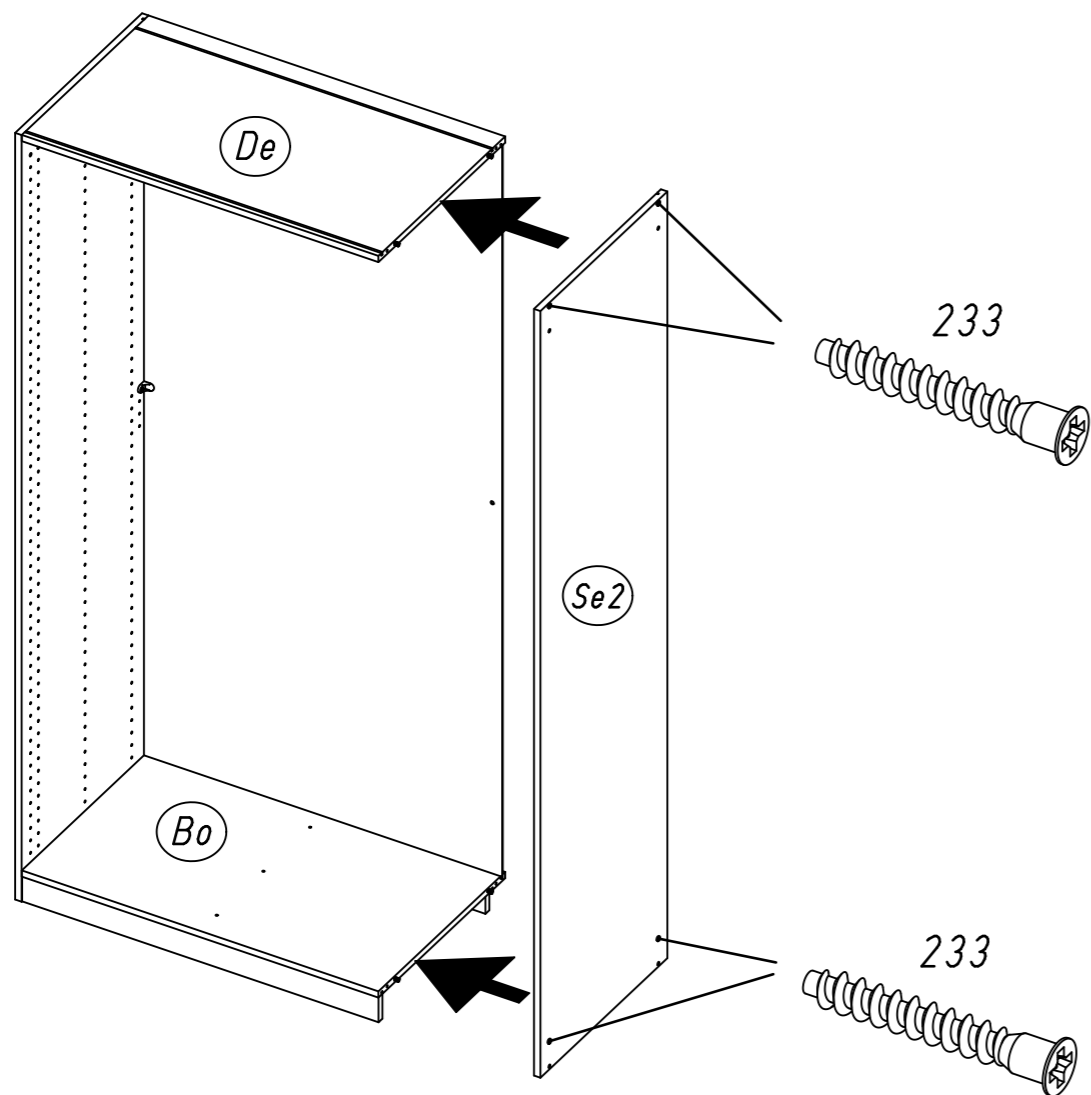
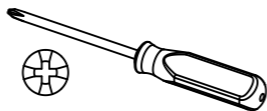
9.

7

4x 233



7x50

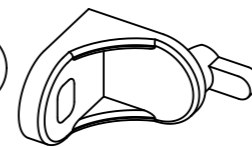


M1815

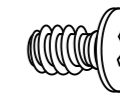
10.

8

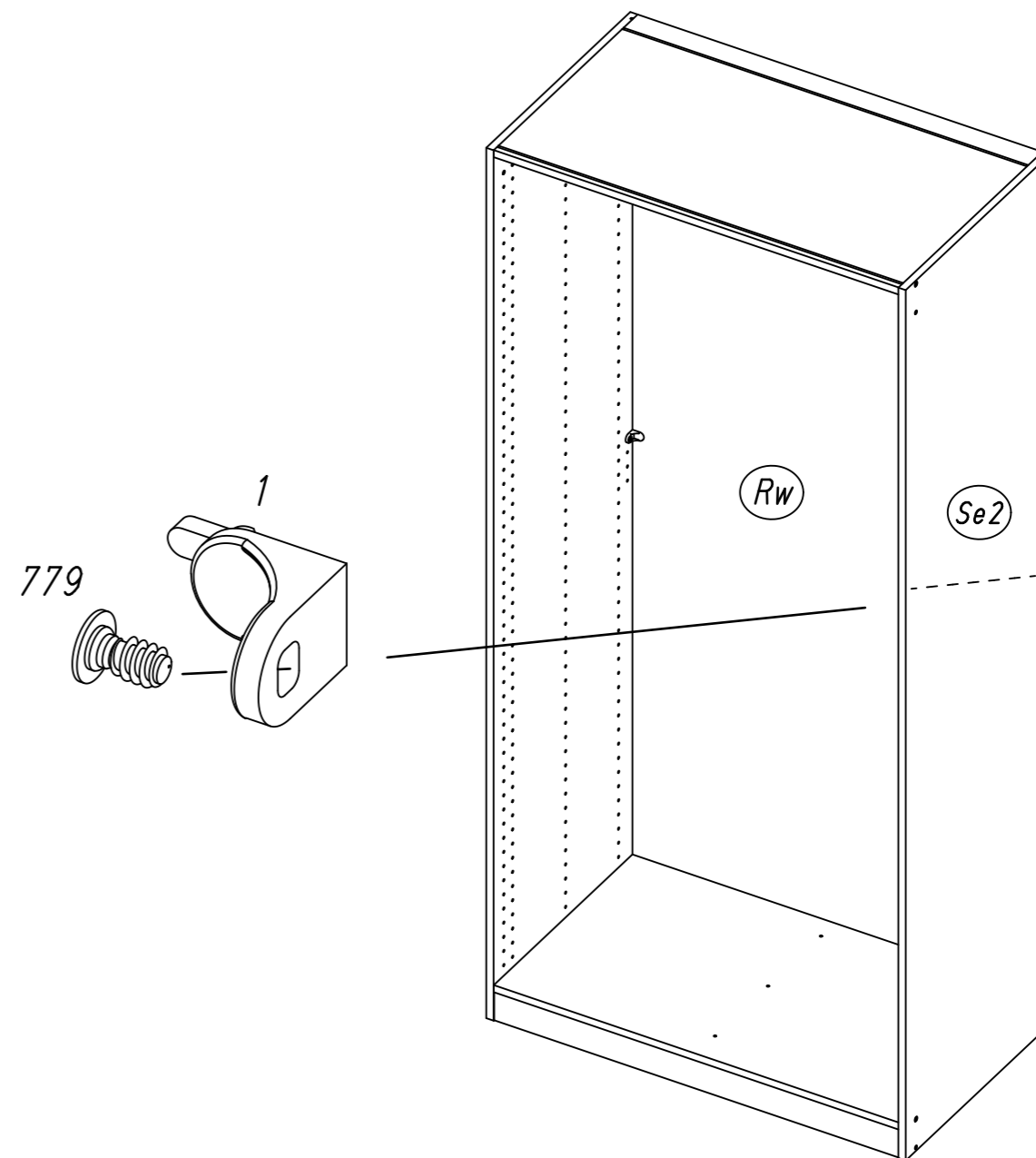
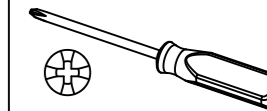
1x 1



1x 779



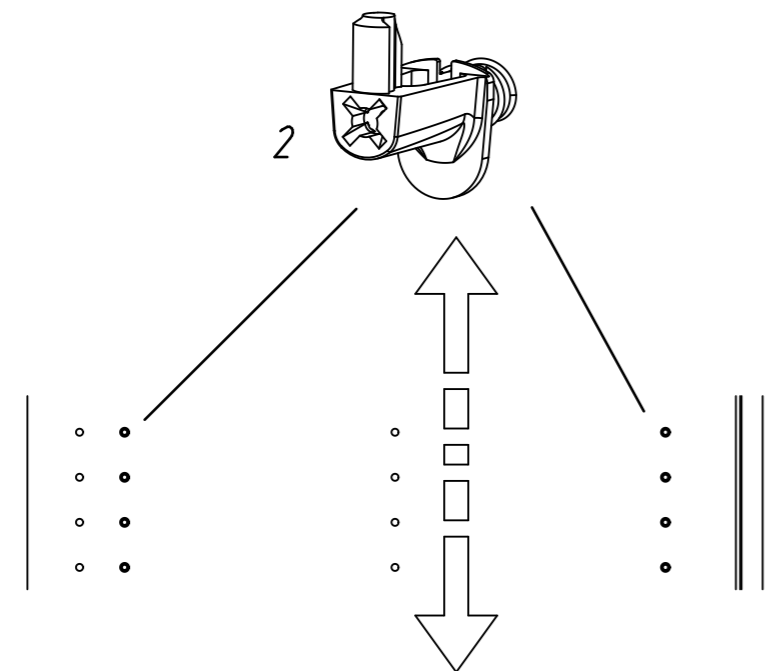
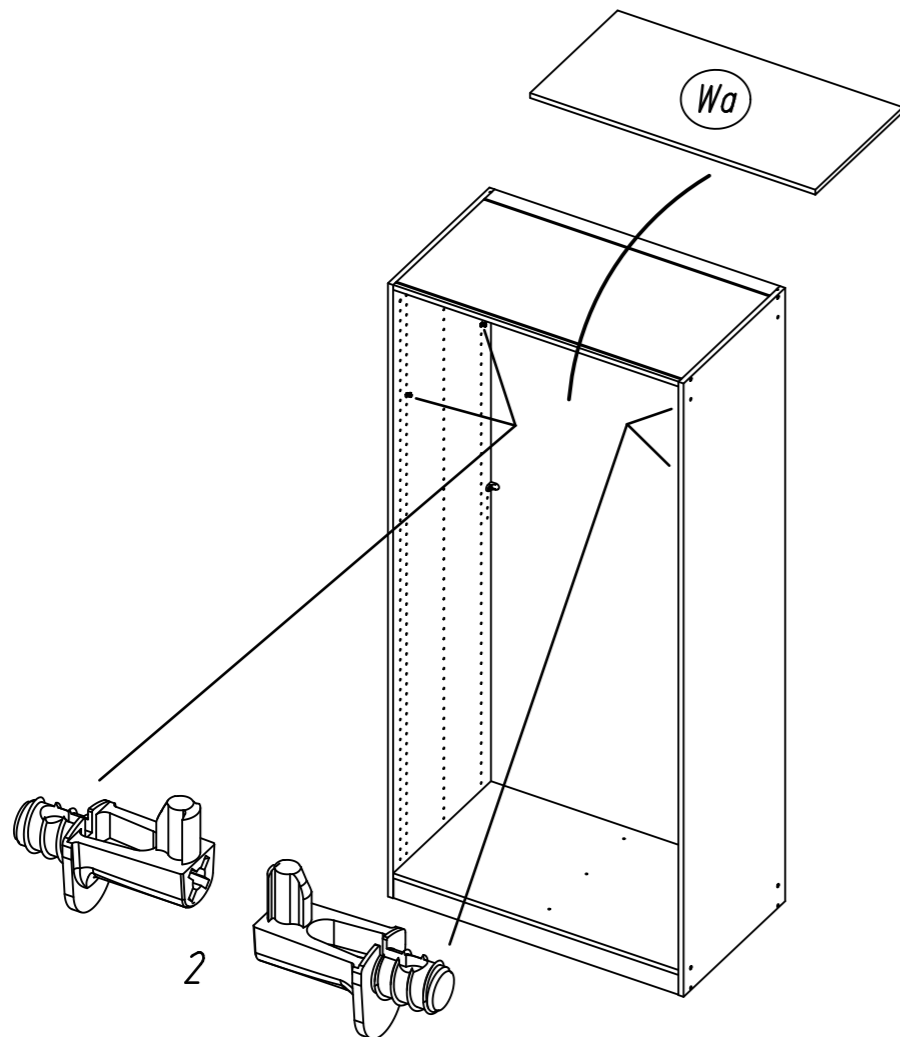
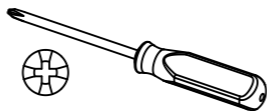
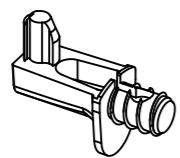
6,5x12



M1815

9

4x 2

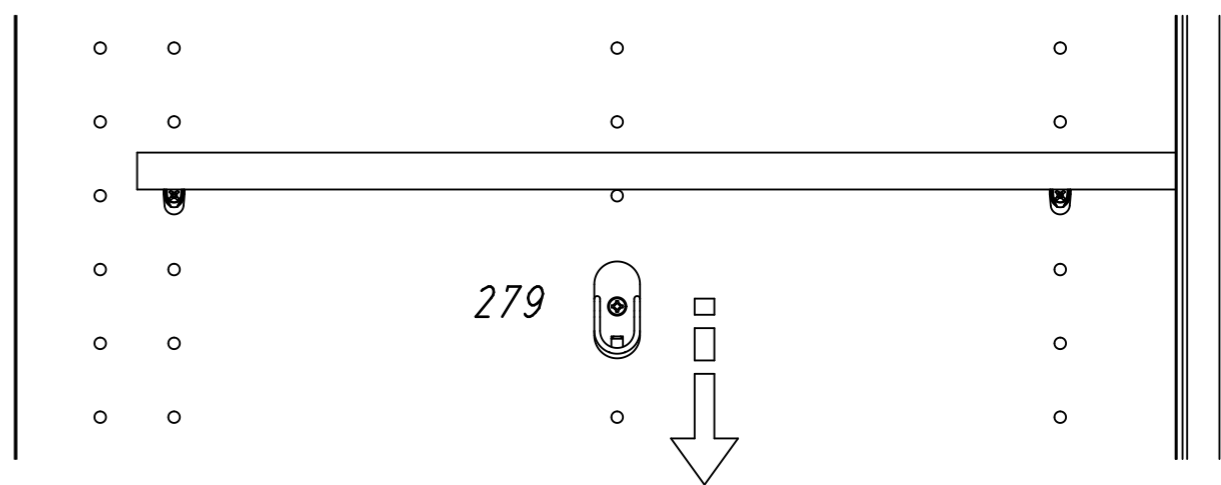
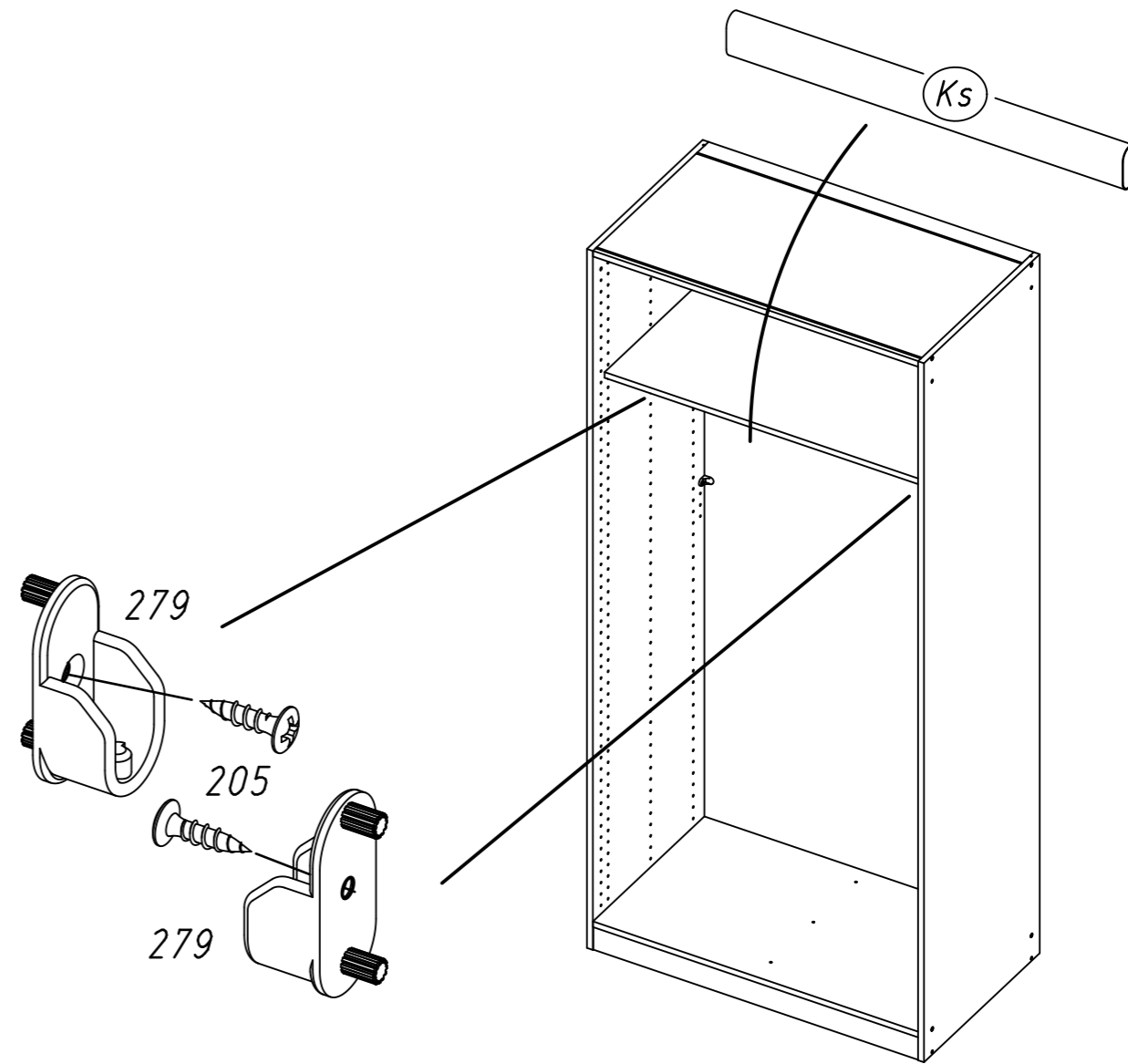
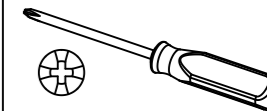


10

2x 279

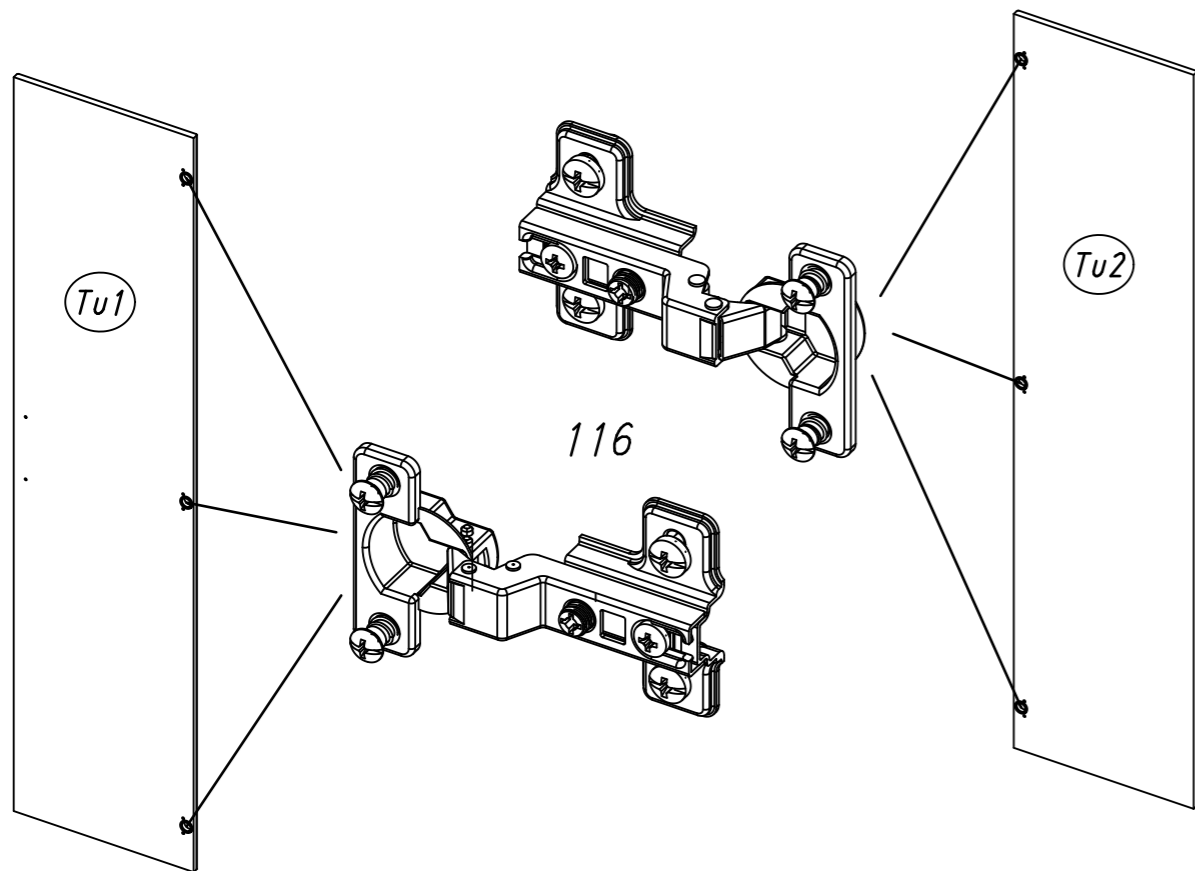
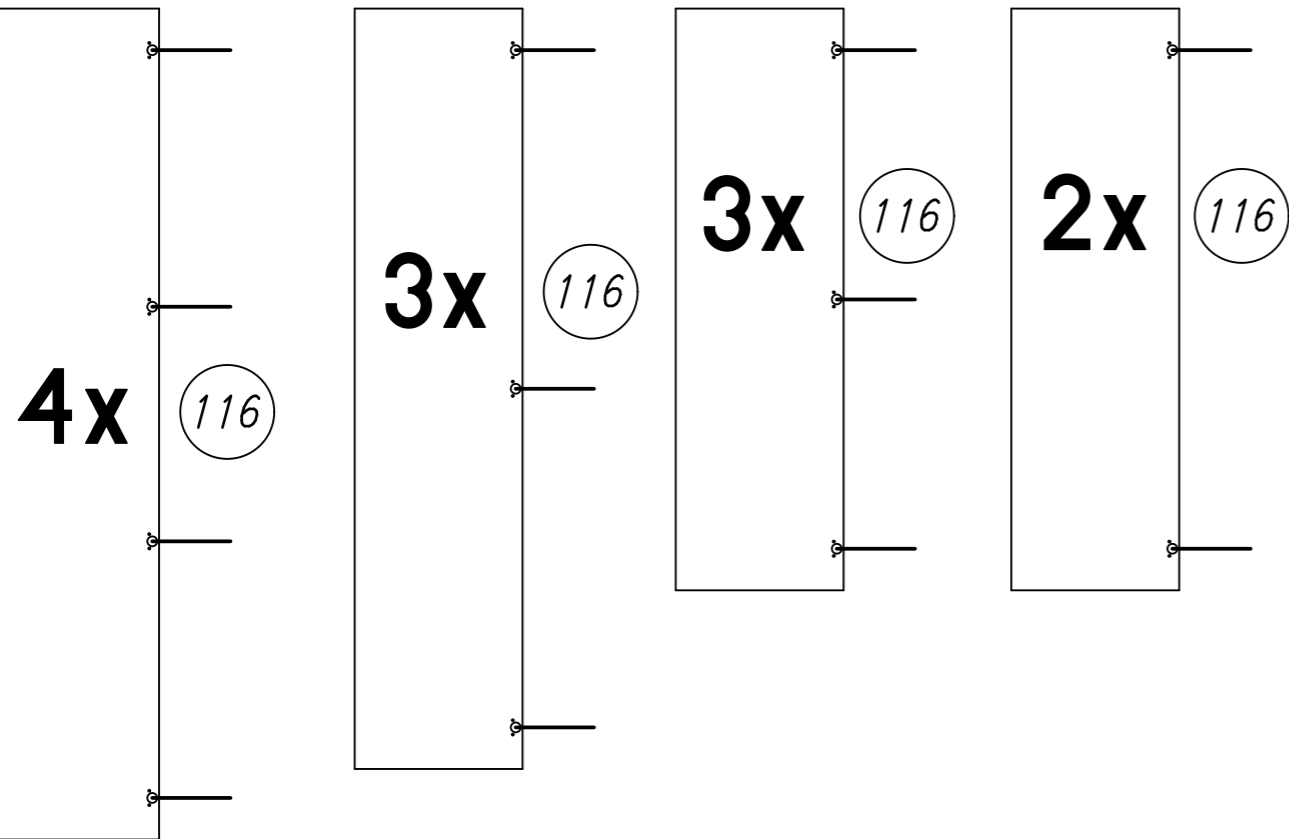
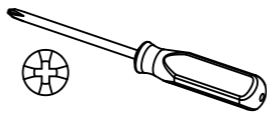
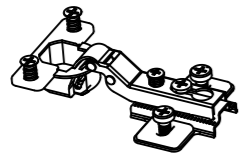


2x 205

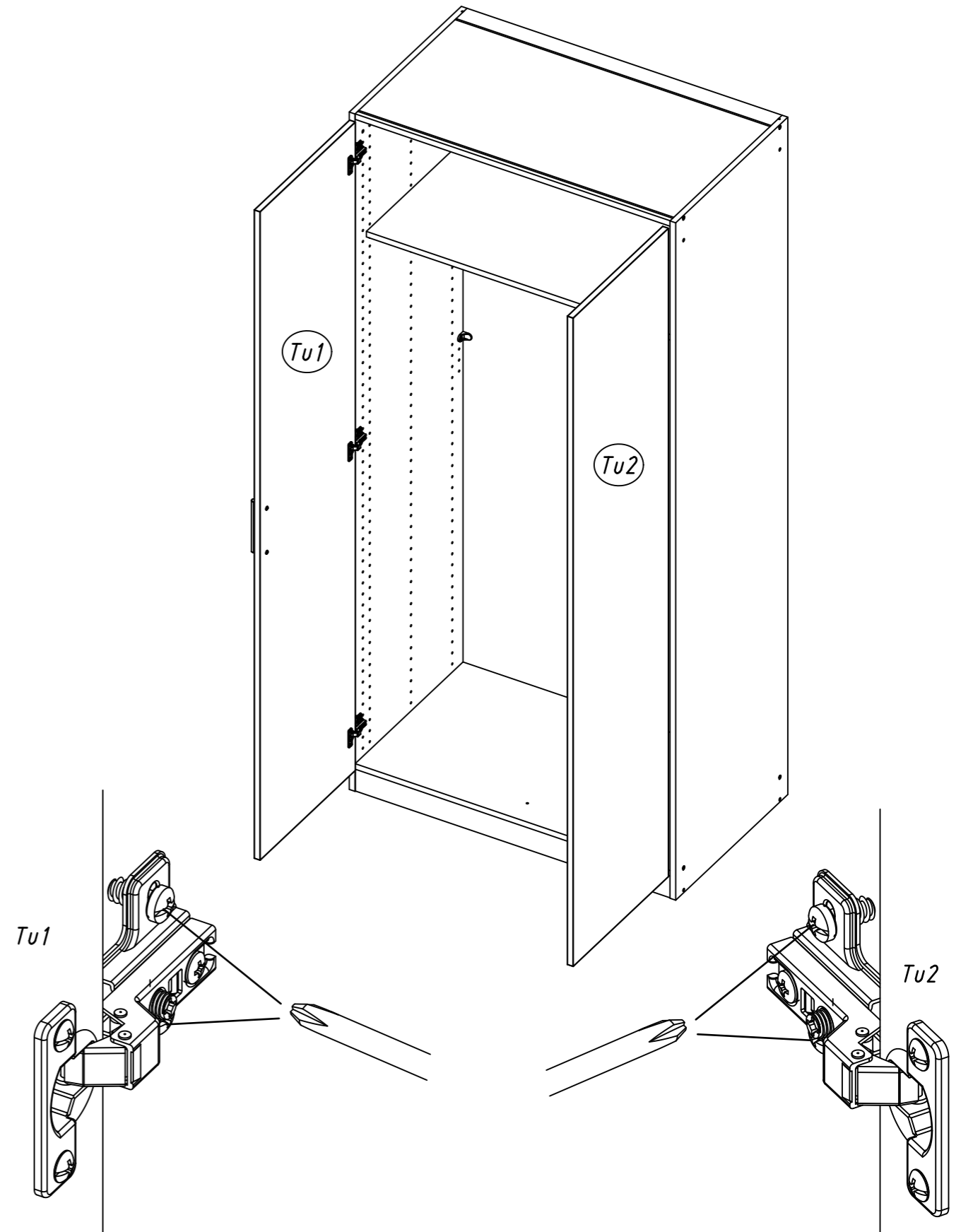
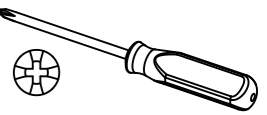


11

116

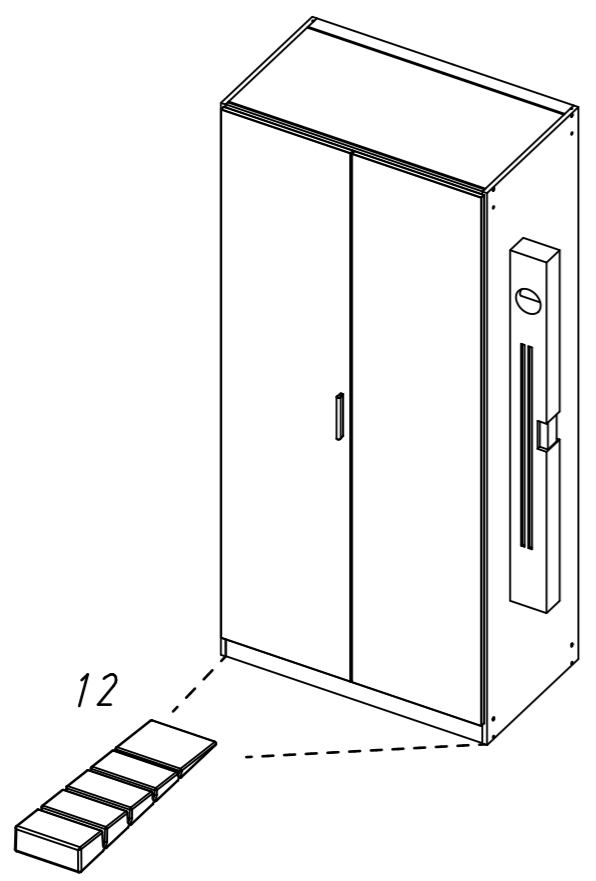
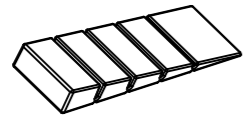


12



13

12

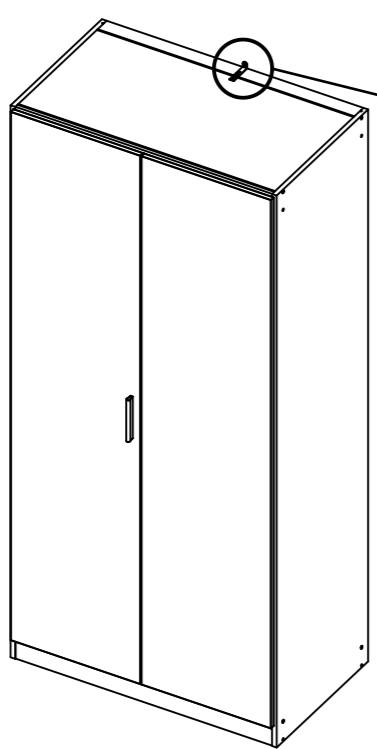
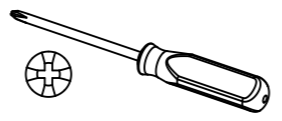
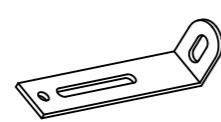


14

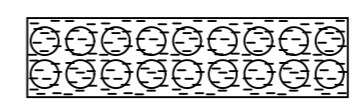
201



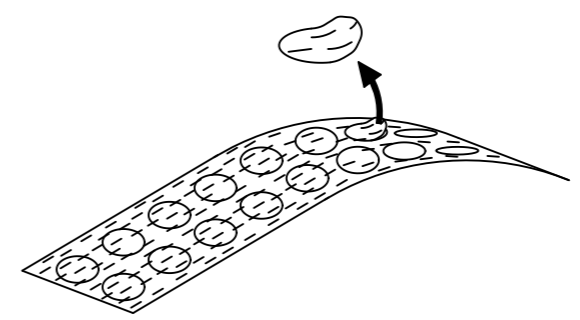
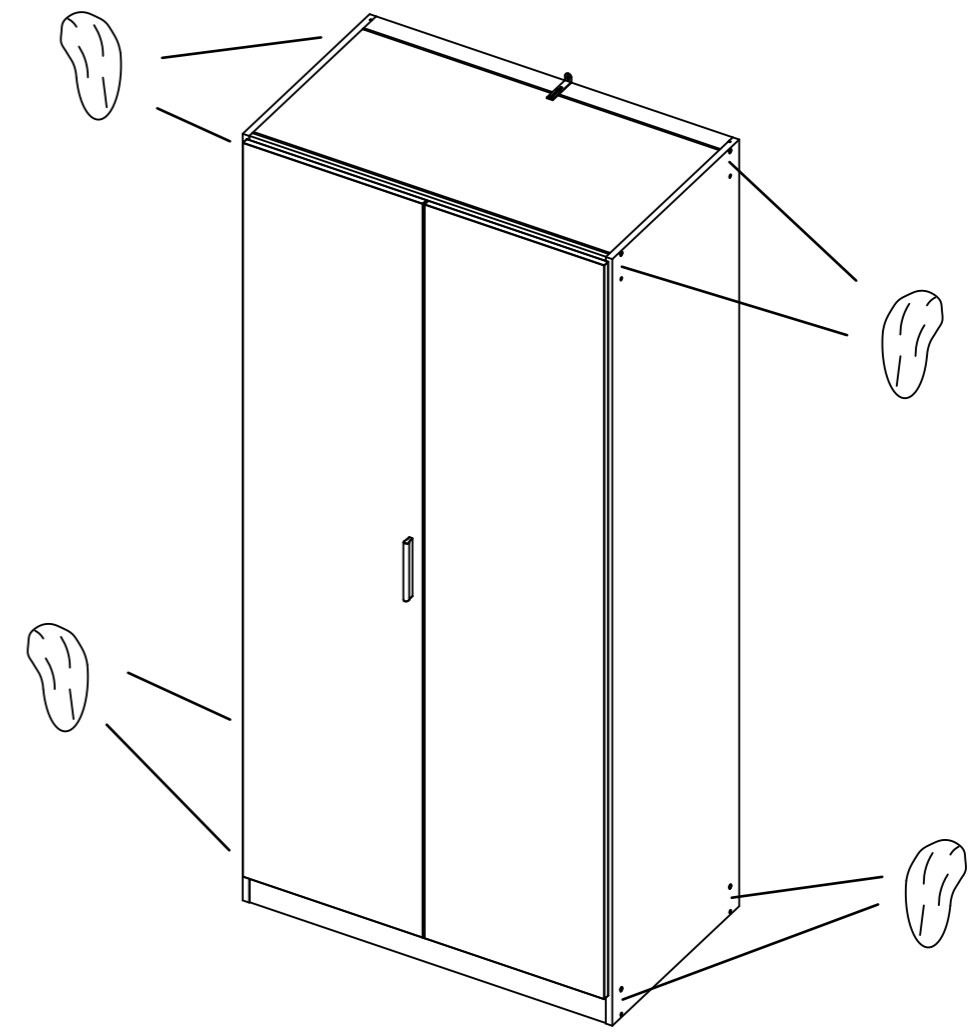
68



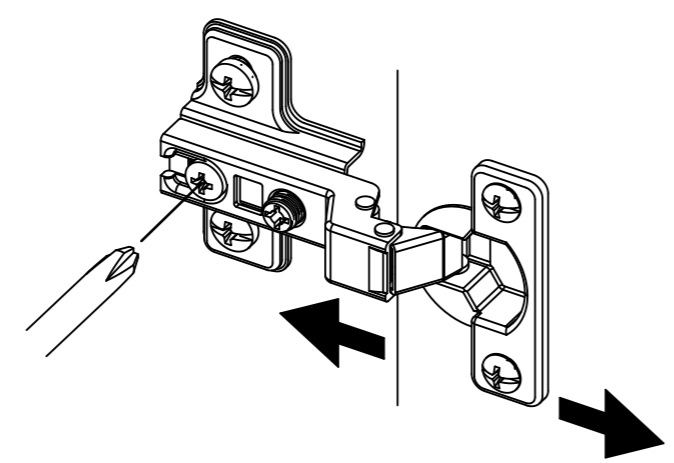
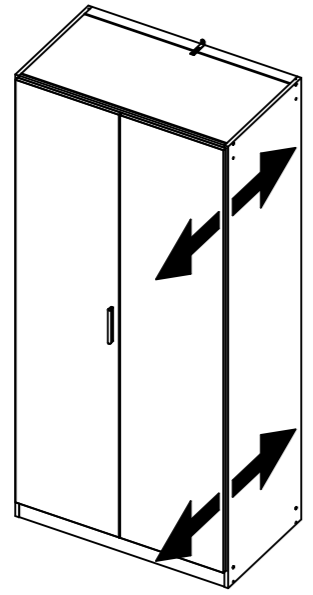
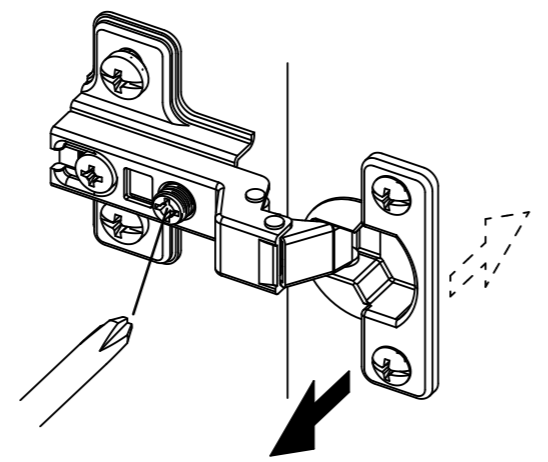
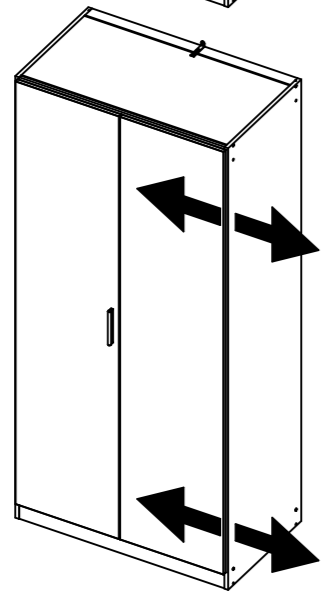
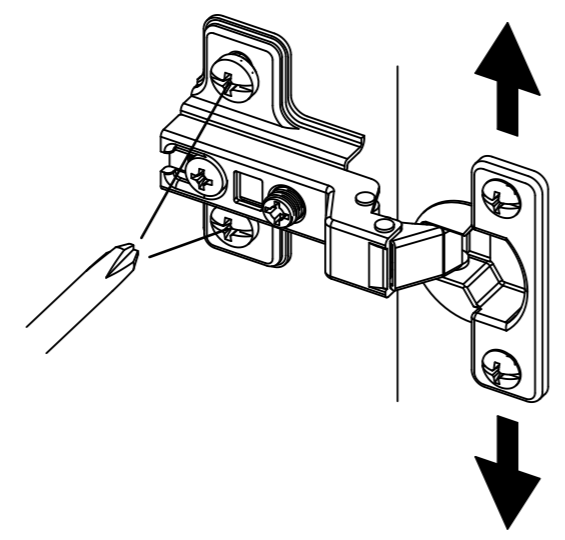
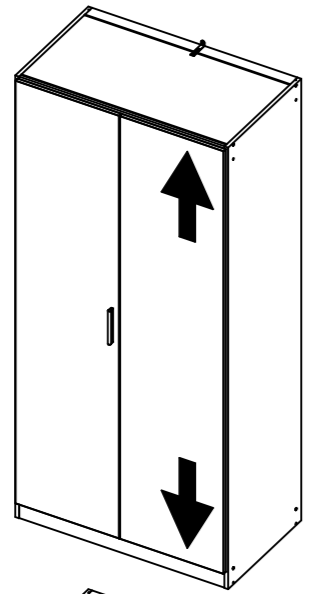
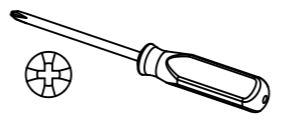
15



ABD-FOLIE
147x46



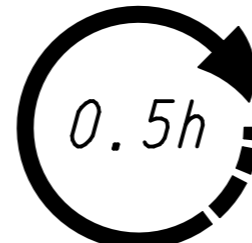
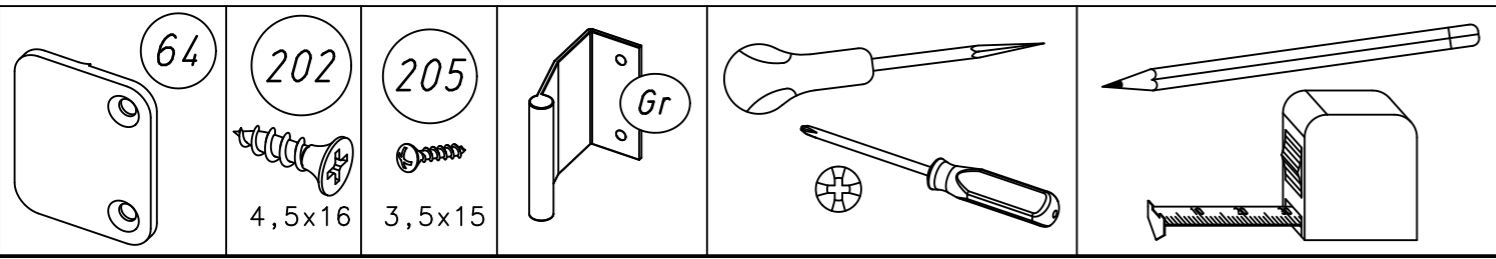
16



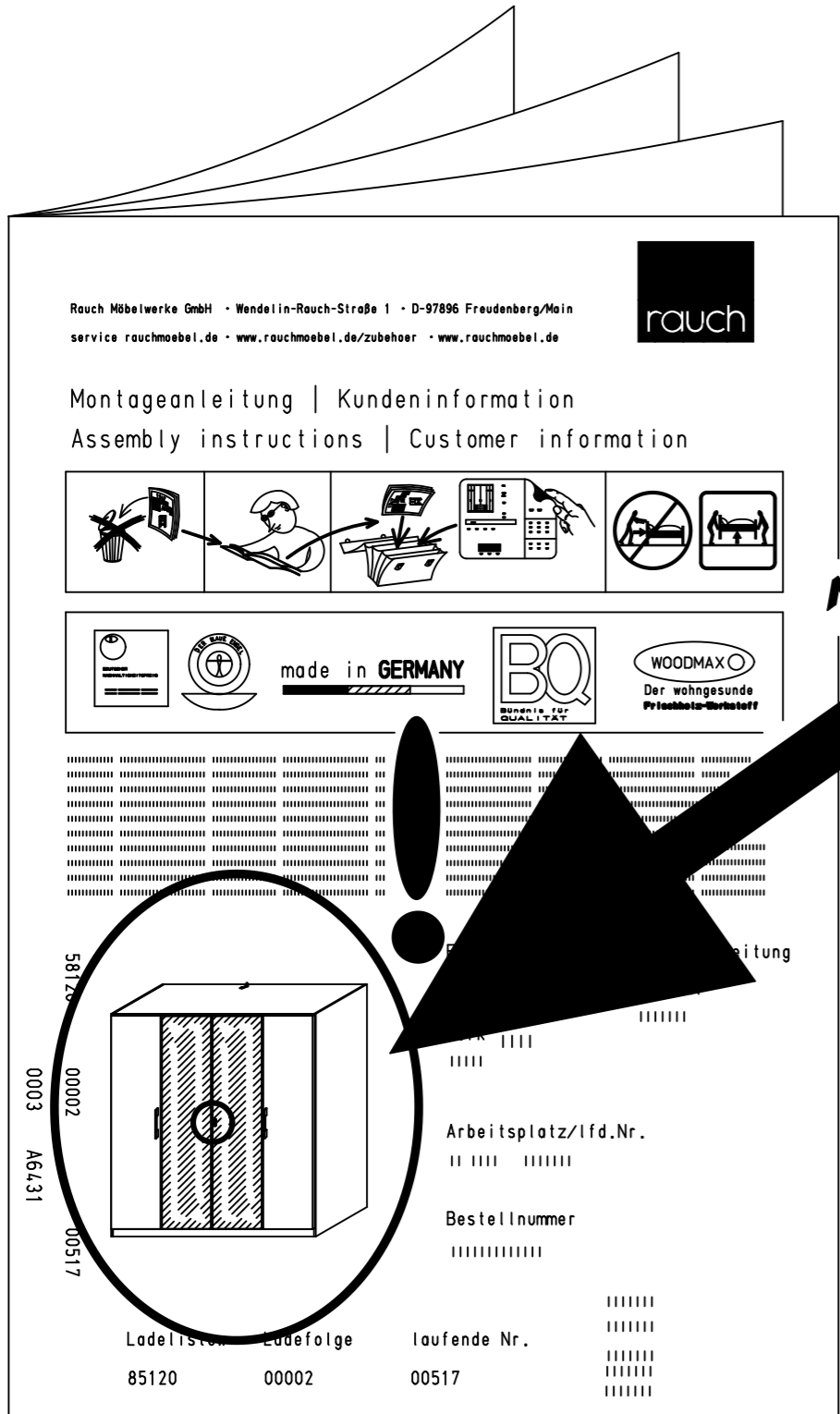
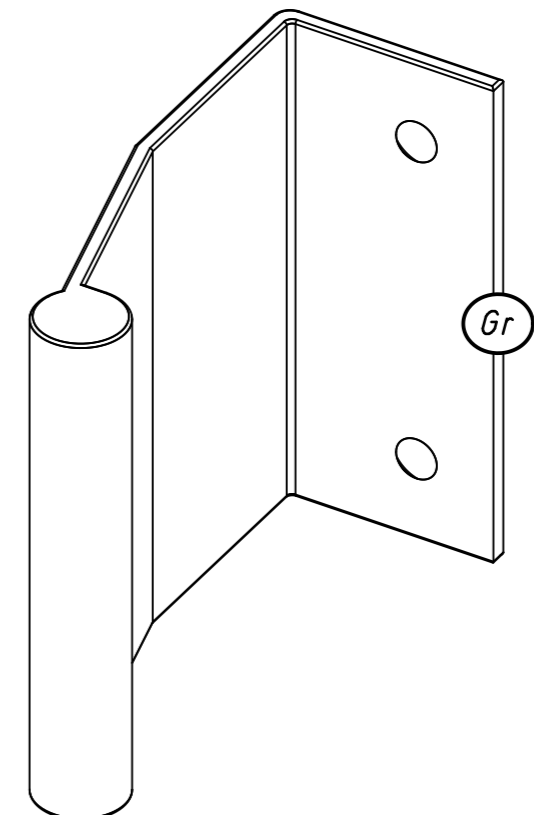
1.

ME480_09

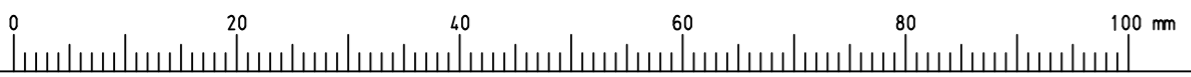
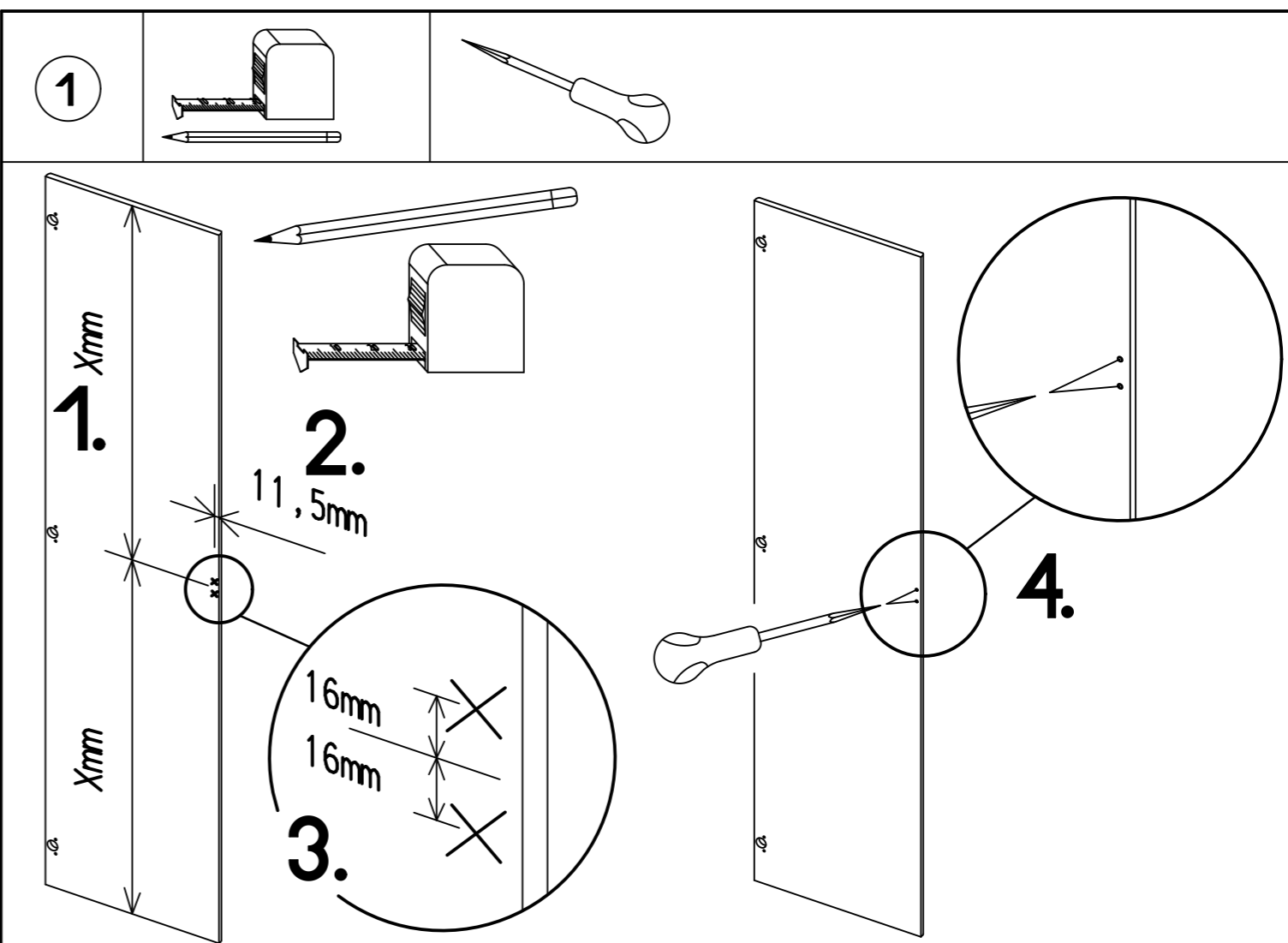
rauch



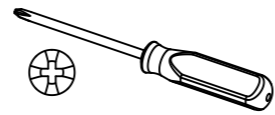
2.



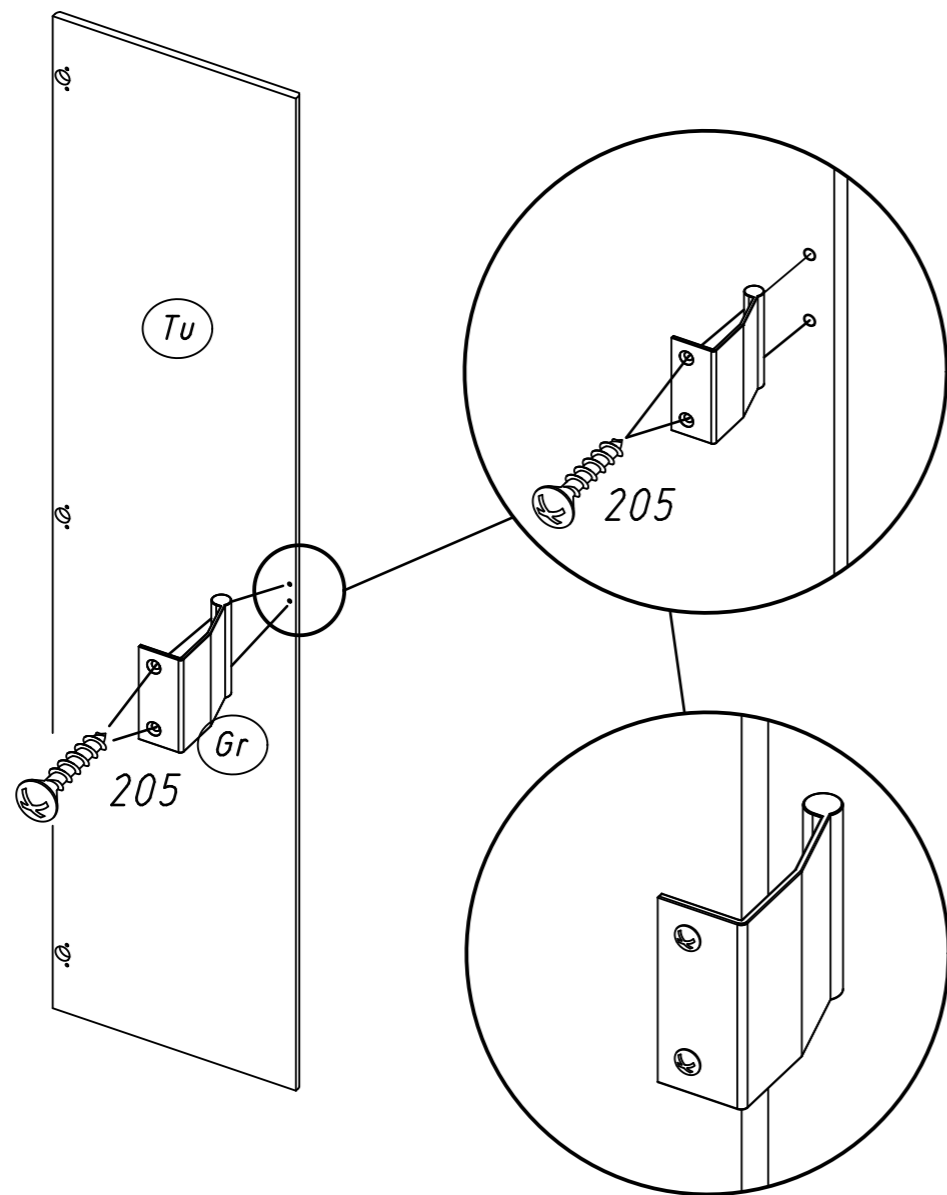
1...2...3...4...X Gr ?



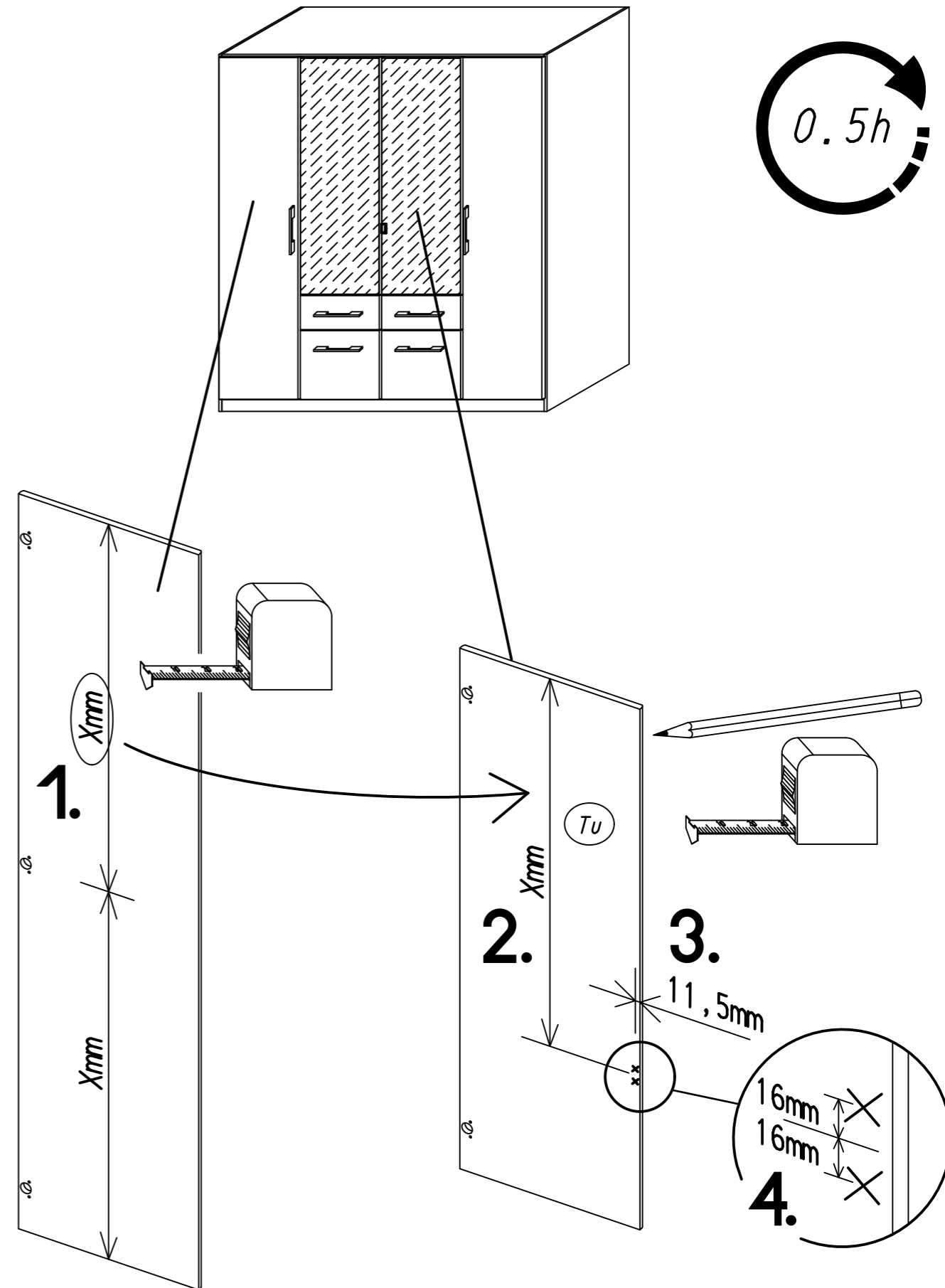
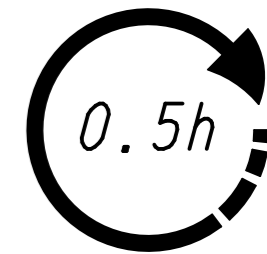
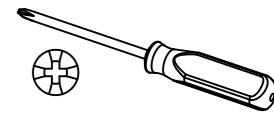
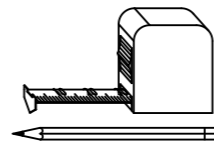
2



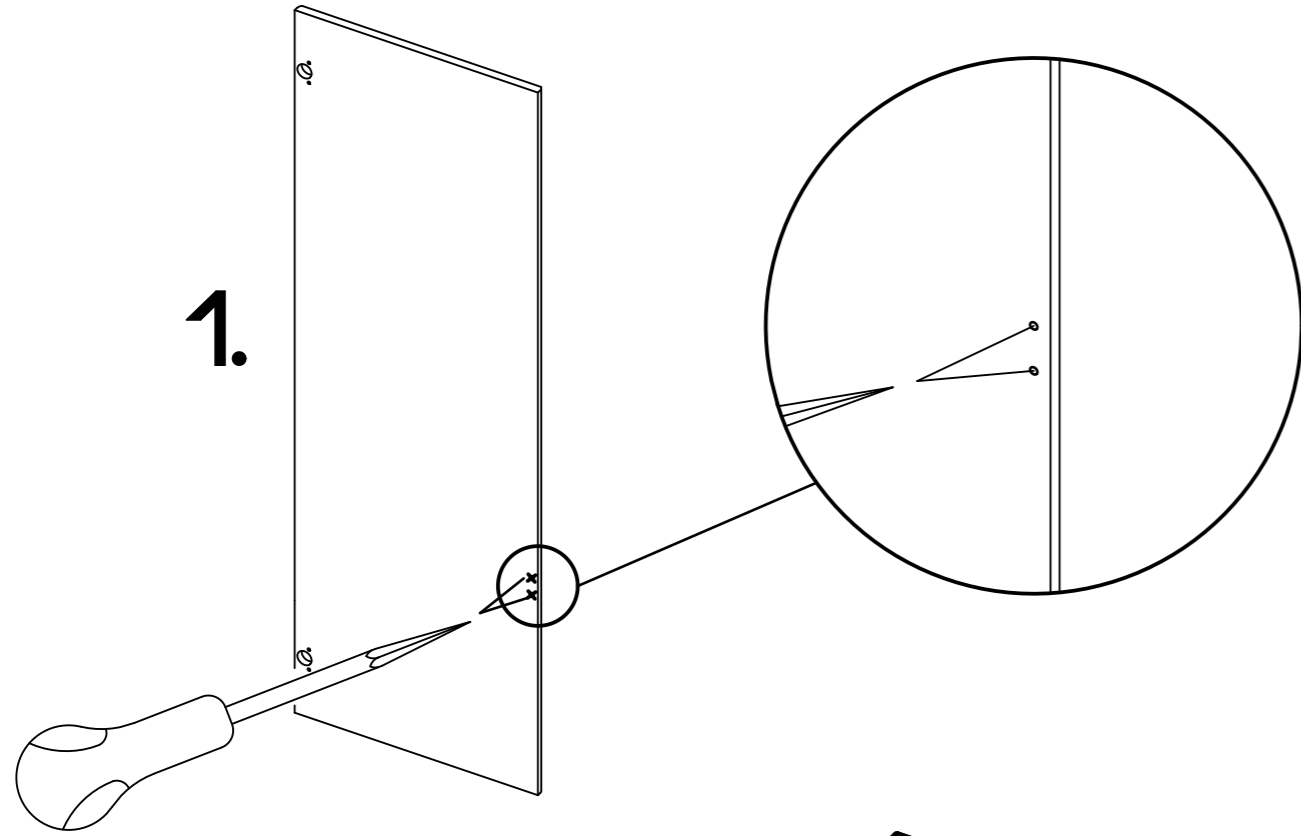
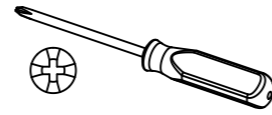
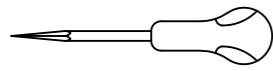
- 1x \textcircled{Tu} = 1x \textcircled{Gr} | 2x $\textcircled{205}$
- 2x \textcircled{Tu} = 2x \textcircled{Gr} | 4x $\textcircled{205}$
- 3x \textcircled{Tu} = 3x \textcircled{Gr} | 6x $\textcircled{205}$
- ⋮



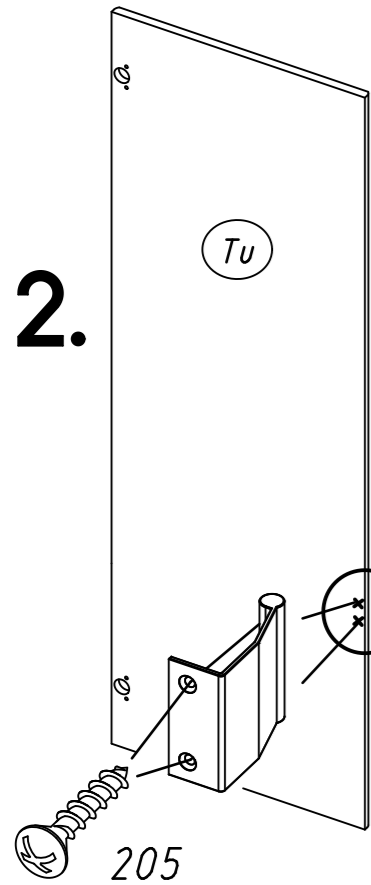
1



2



1.



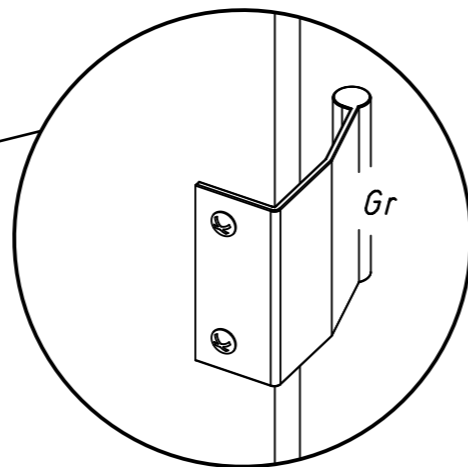
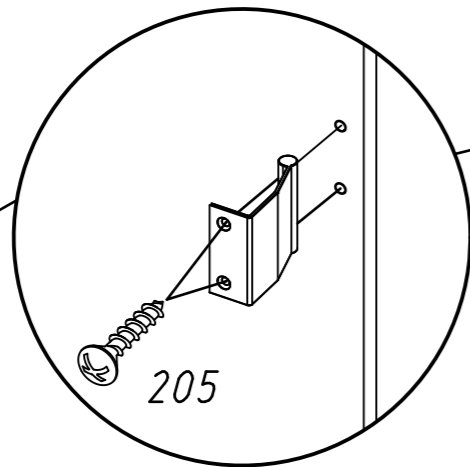
2.

1x (Tu) = 1x (Gr) | 2x (205)

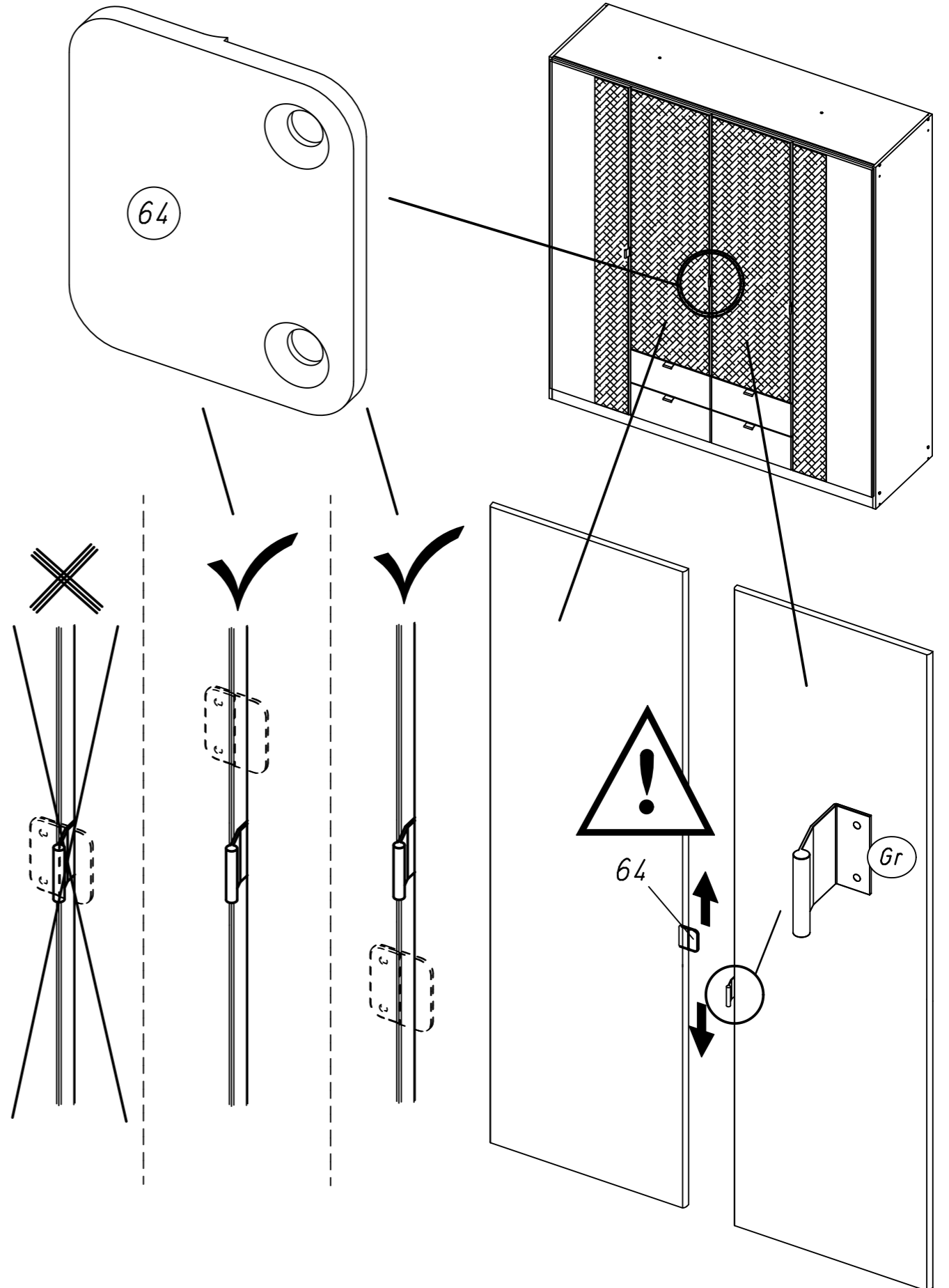
2x (Tu) = 2x (Gr) | 4x (205)

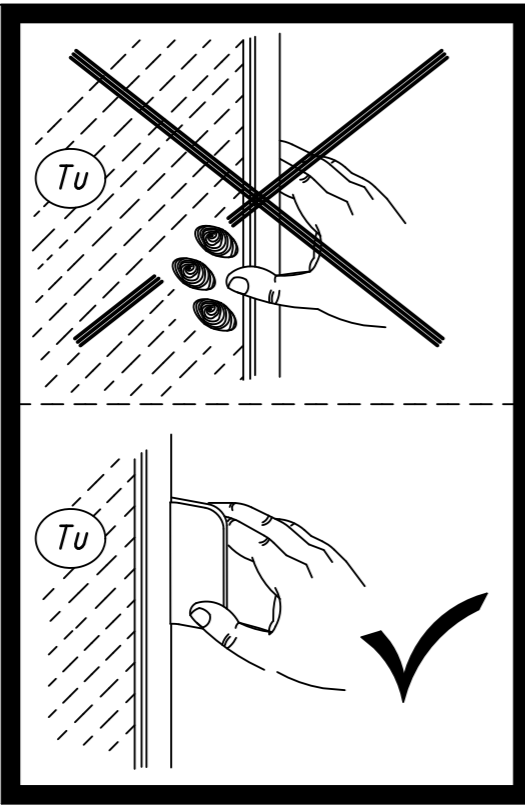
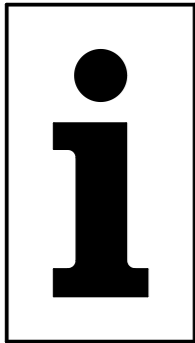
3x (Tu) = 3x (Gr) | 6x (205)

...

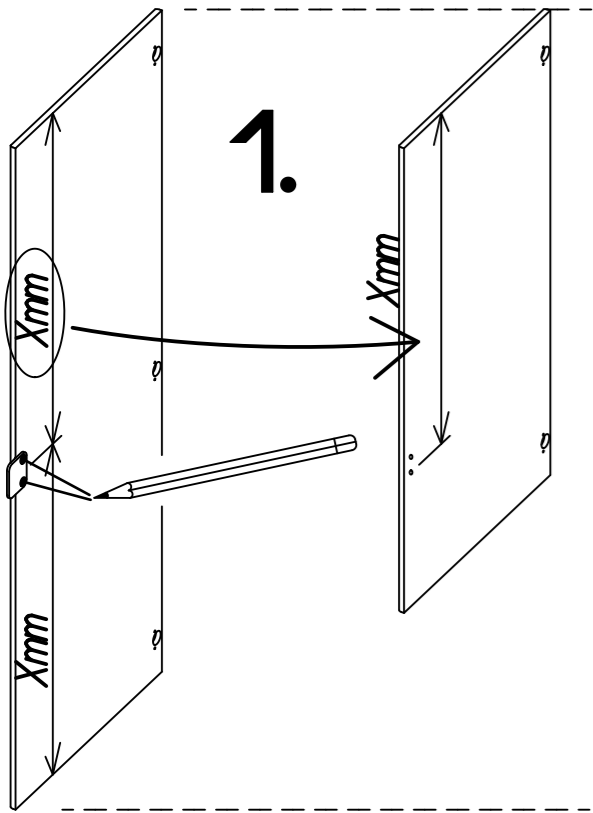
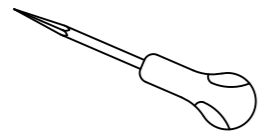
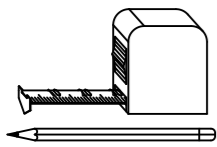


3

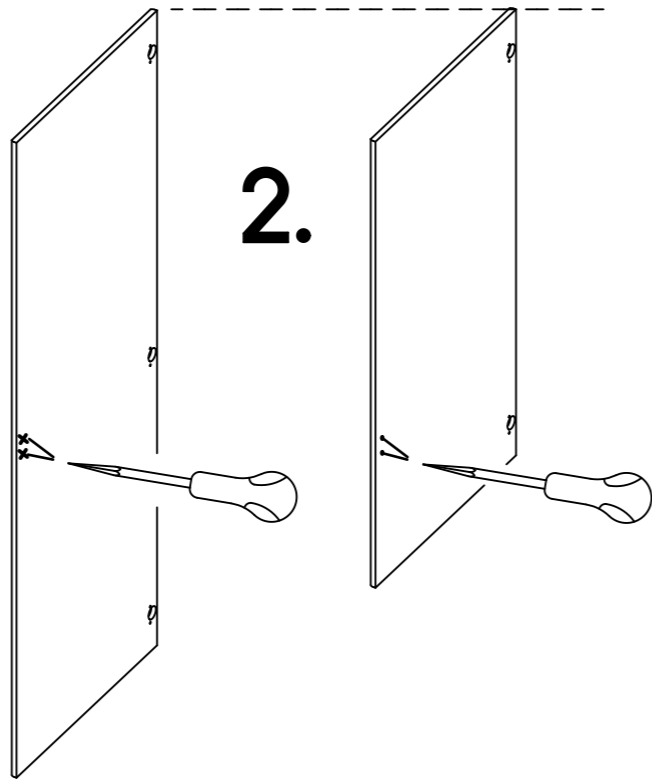




4




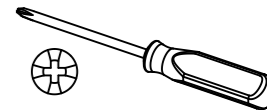
1.




2.

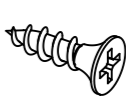
5

1x Tu = 1x 64 



1x Tu = 2x 202 

2x Tu = 4x 202 

3x Tu = 6x 202 

⋮

