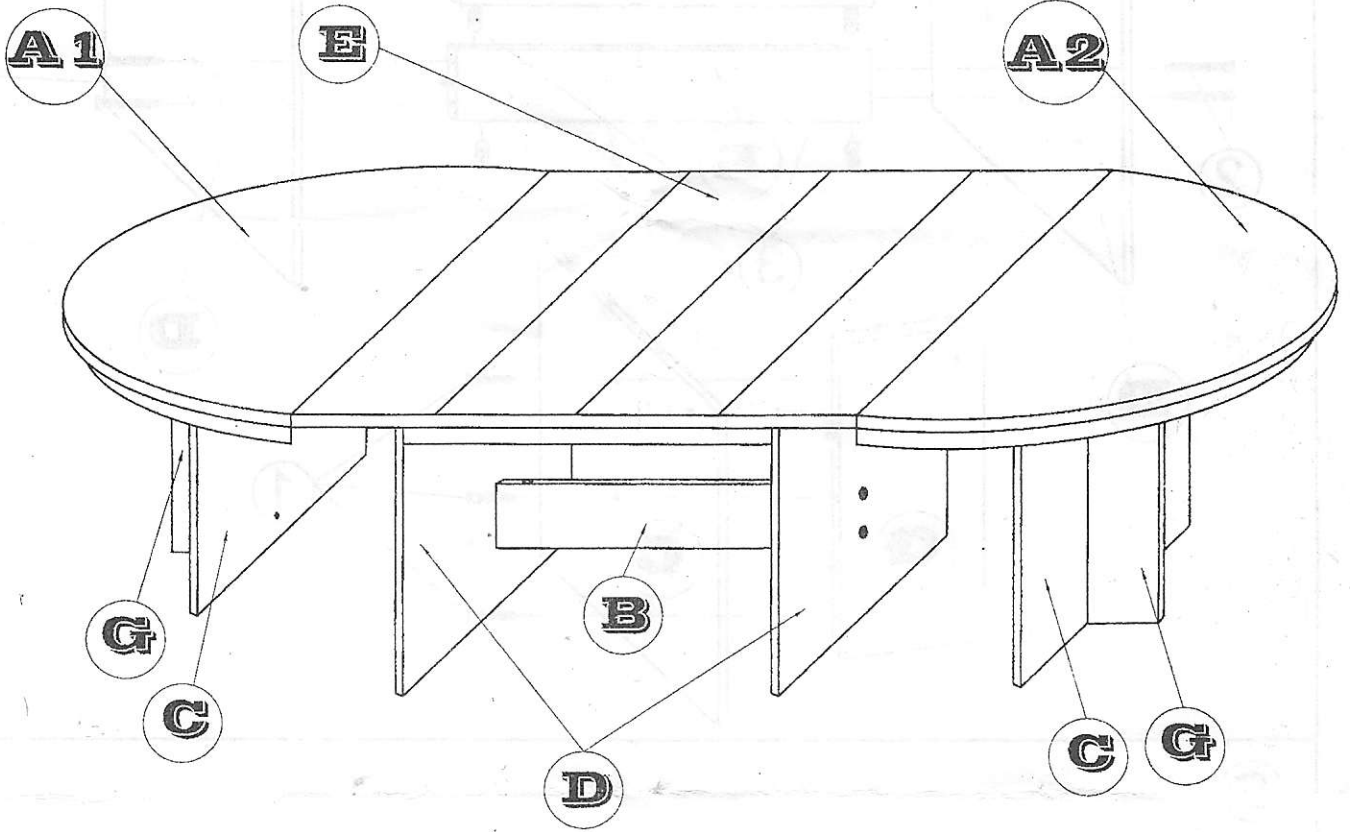
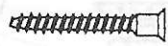

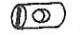


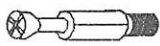

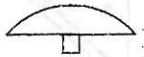
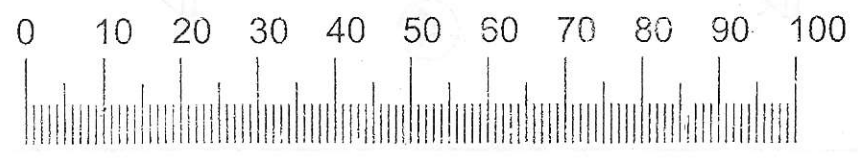
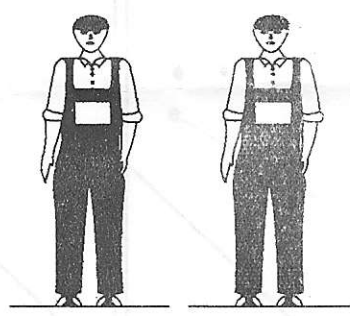
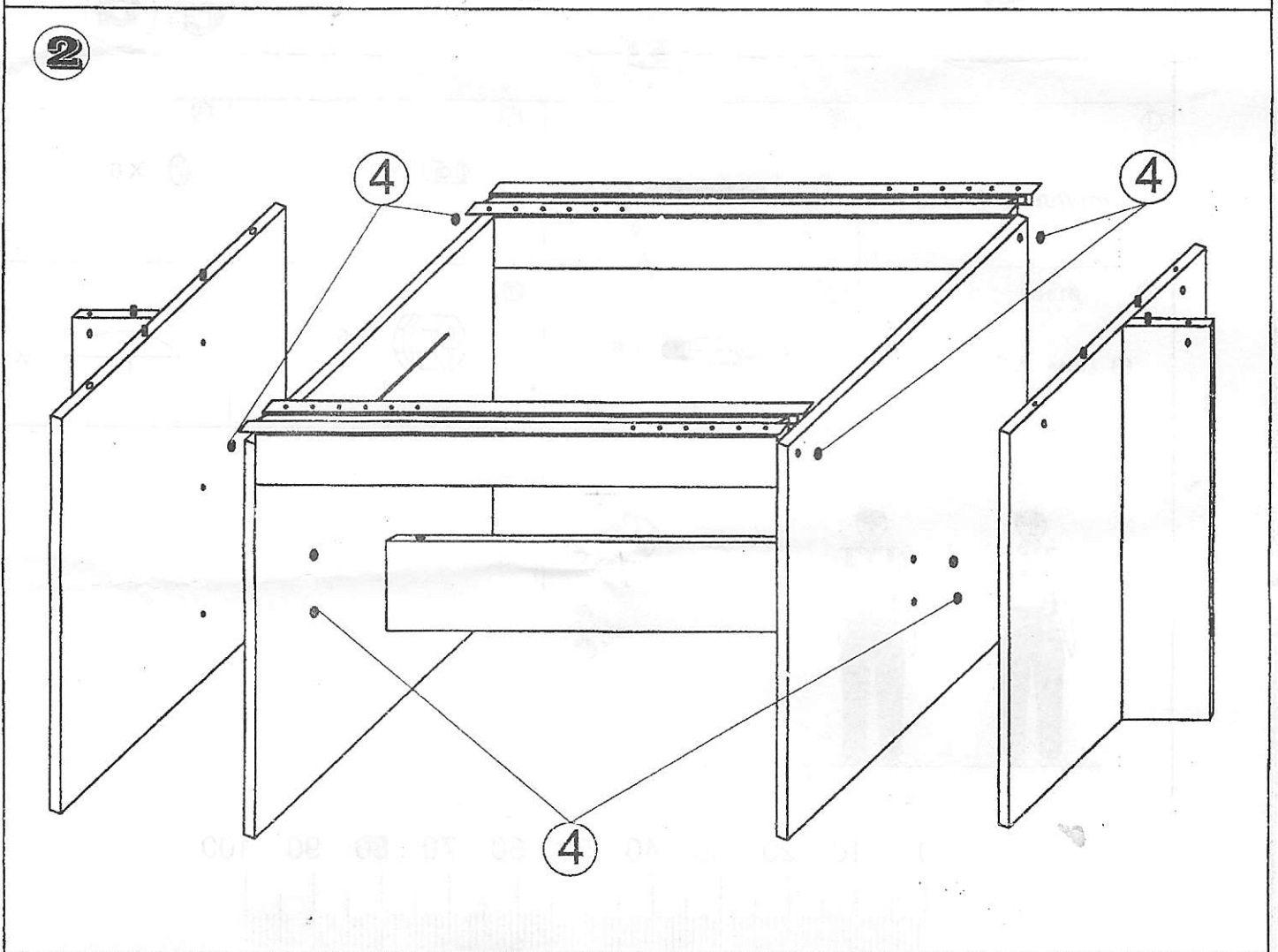
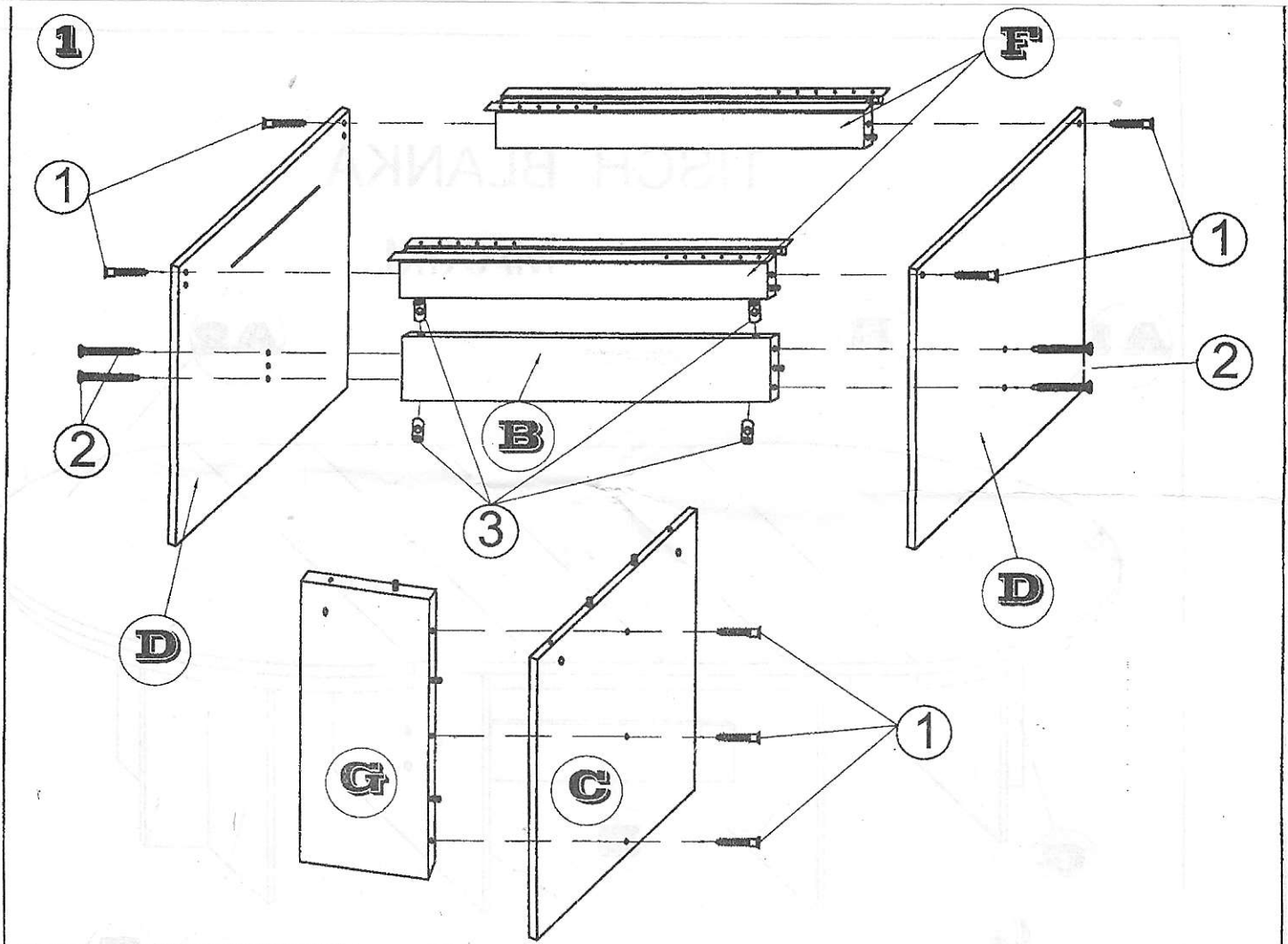


# TISCH BLANKA MAXIM

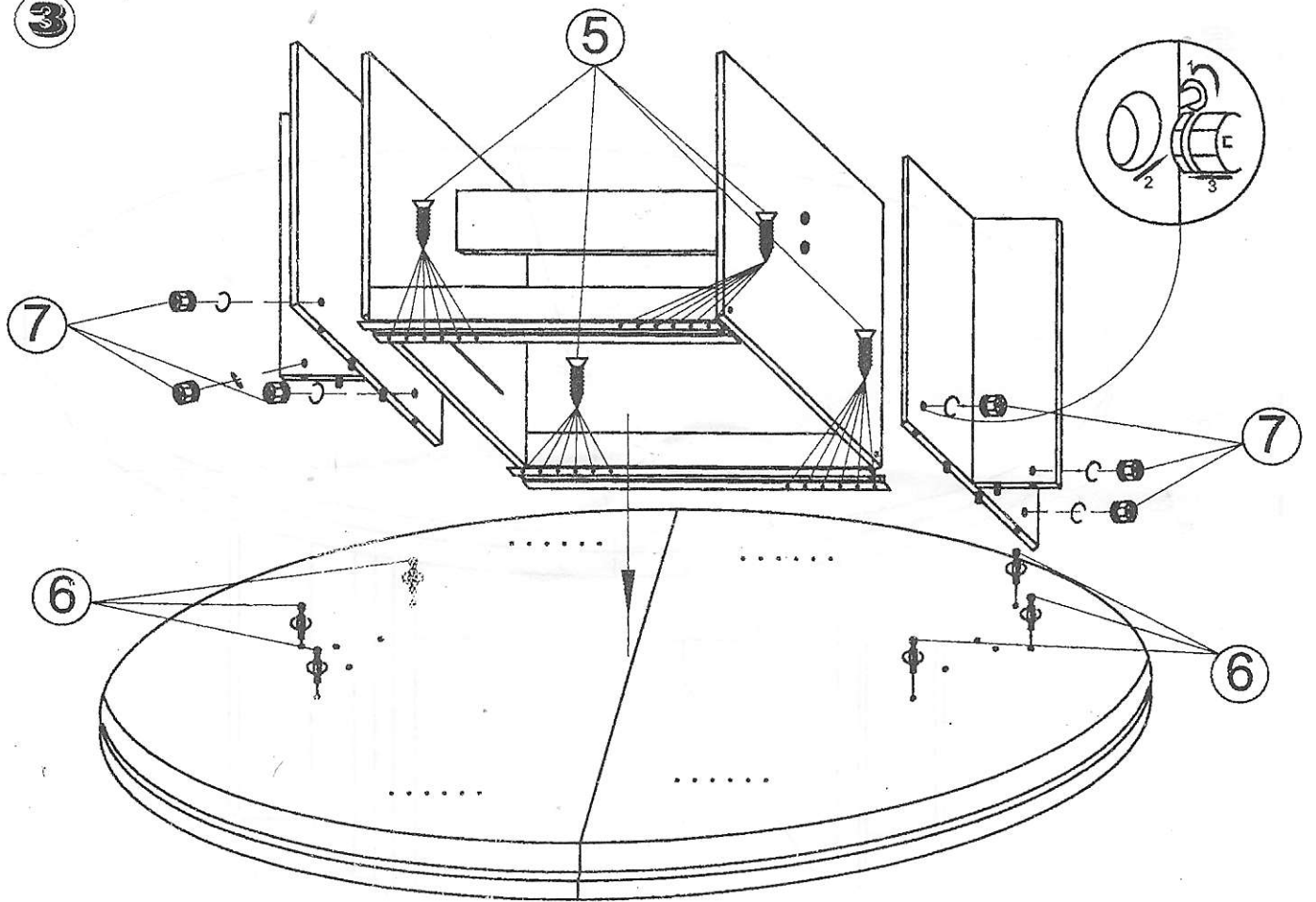


①  X 10	②  X 4	③  X 4	④  X 8
⑤ $\varnothing 3.5 \times 16$  X 24	⑥  X 6	⑦  X 6	⑧  X 6

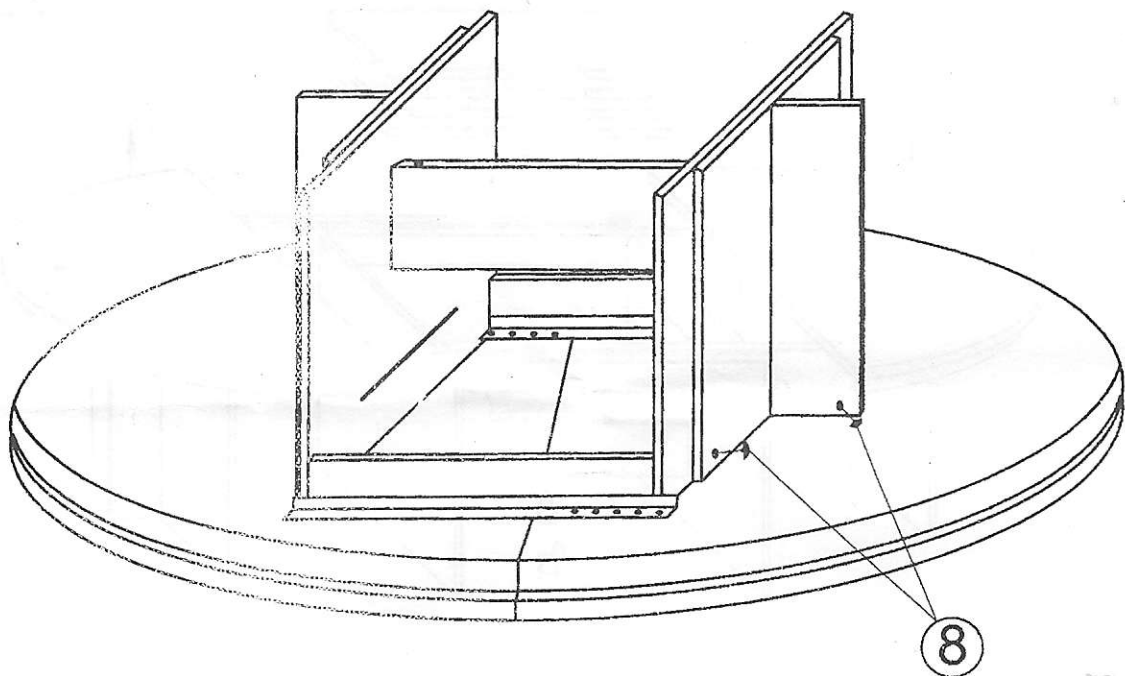




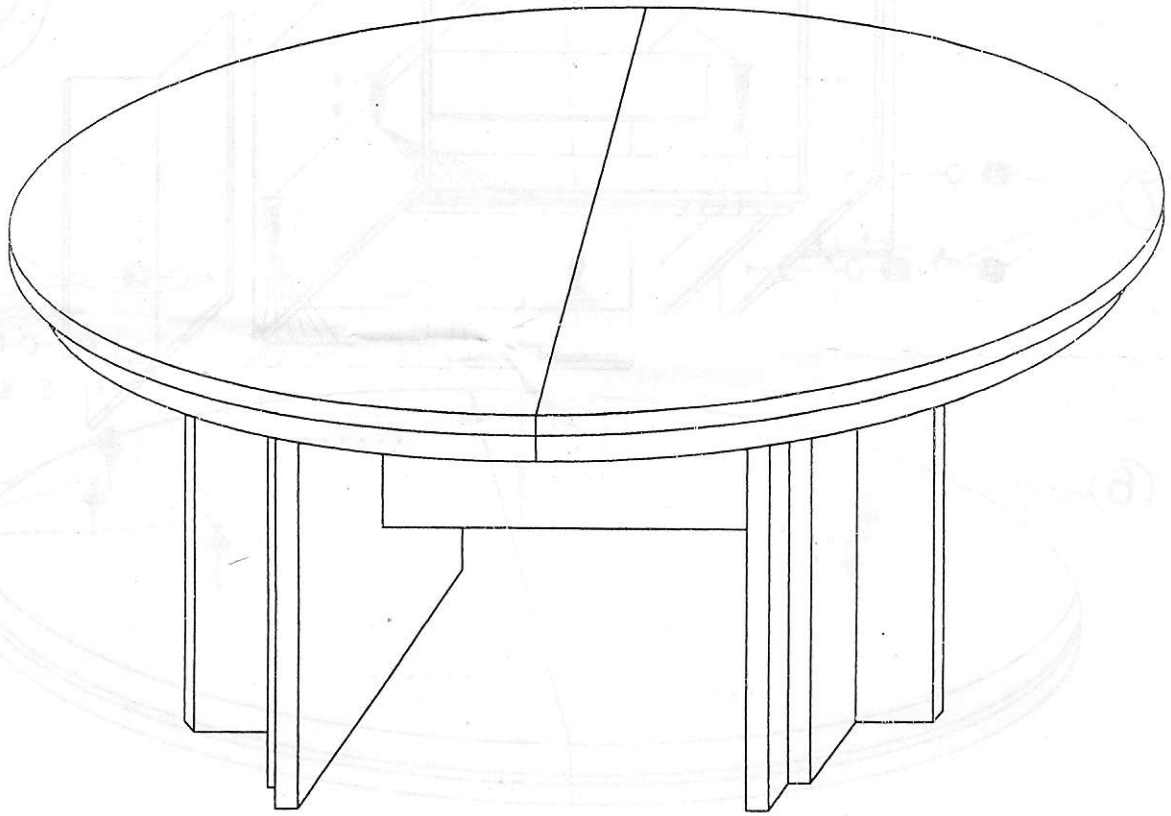
3



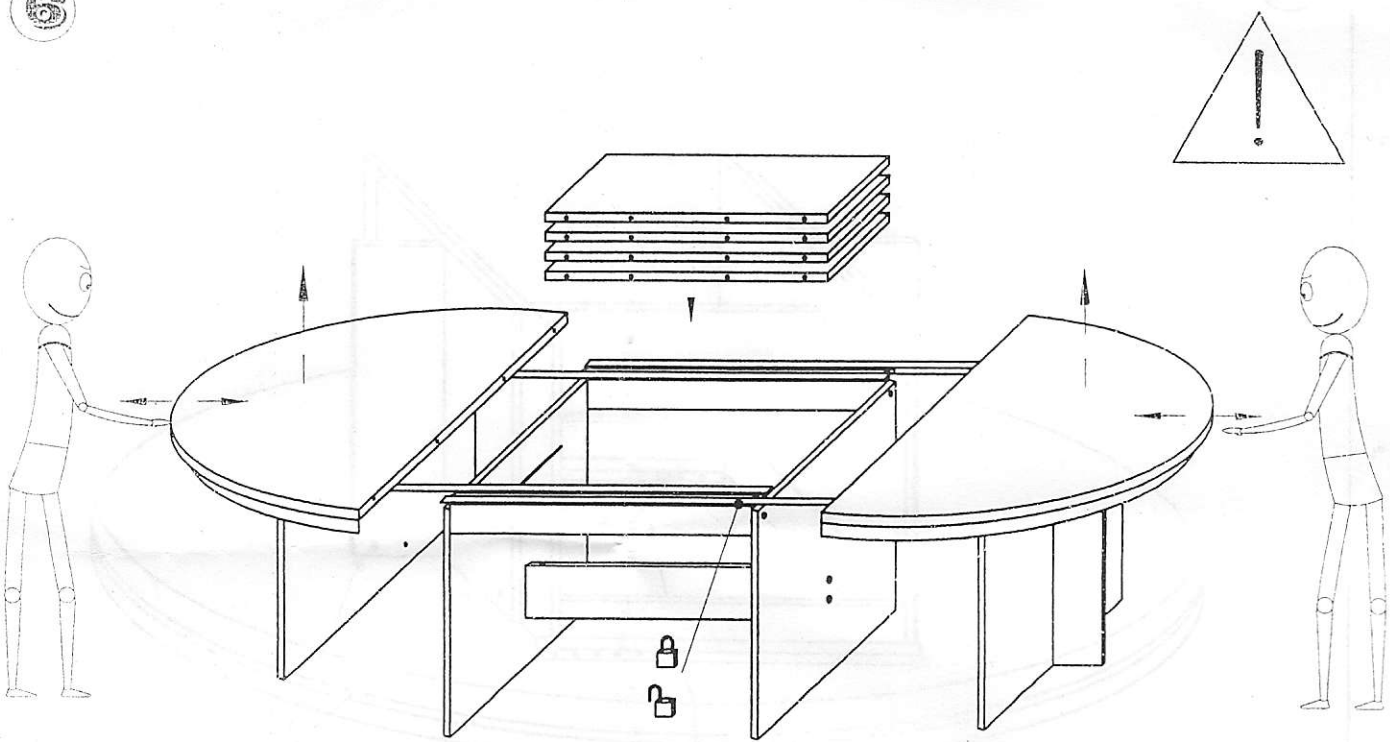
4



5



6



7

