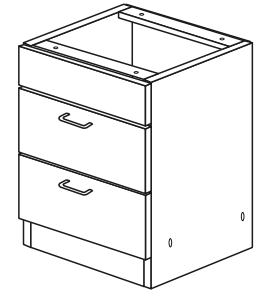
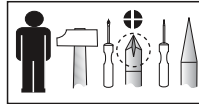
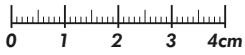


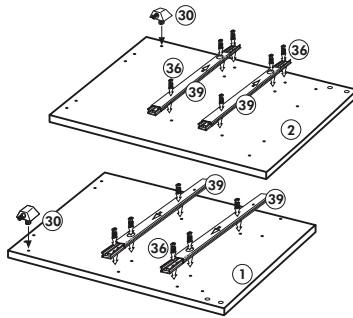
Wilhelm Hoffmeister GmbH + Co KG, Hueckerstr. 19, 32257 Bünde

# Unterschrank für Kochfeld mit Auszug

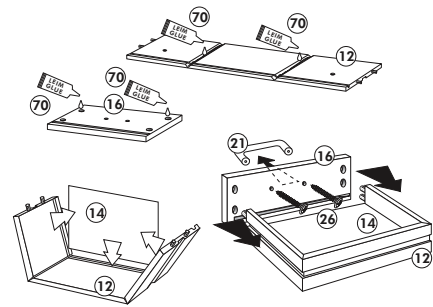
Nr. 012 Rev.00



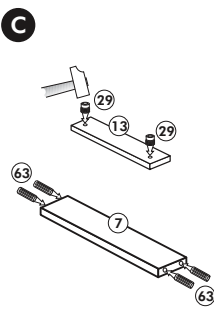
**A**



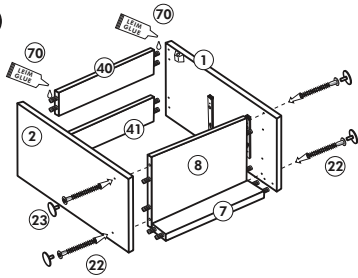
**B 2x**



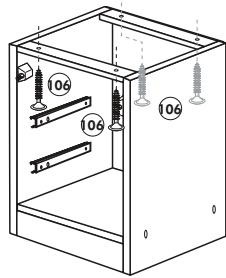
**C**



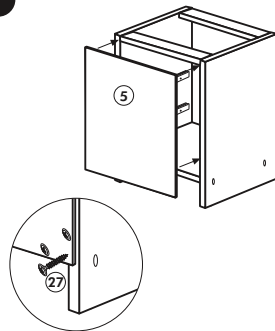
**D**



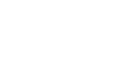
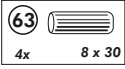
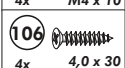
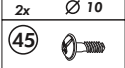
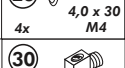
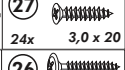
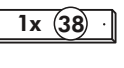
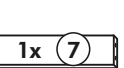
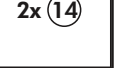
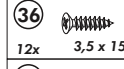
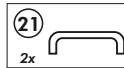
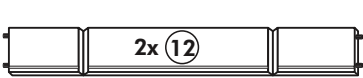
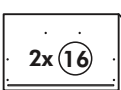
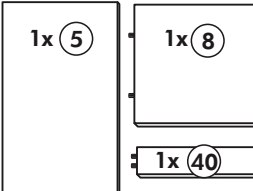
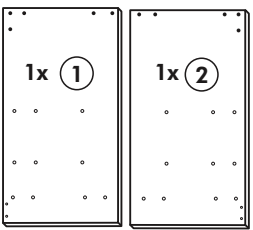
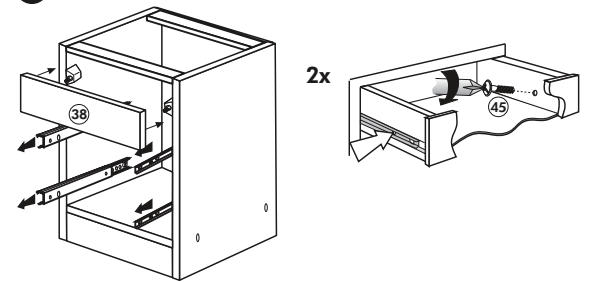
**E**



**F**



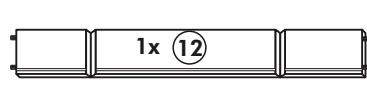
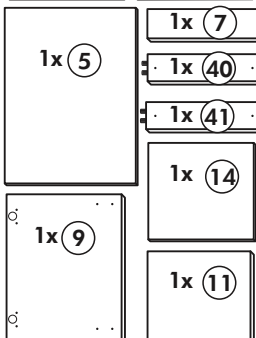
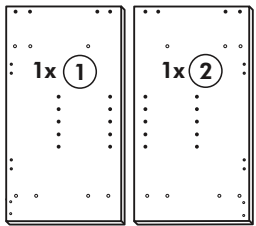
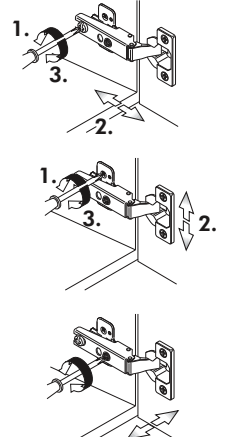
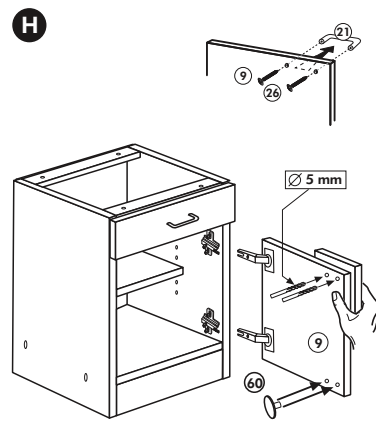
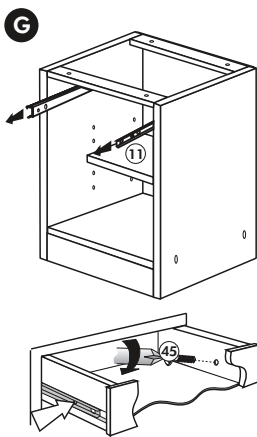
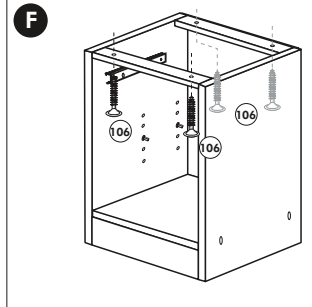
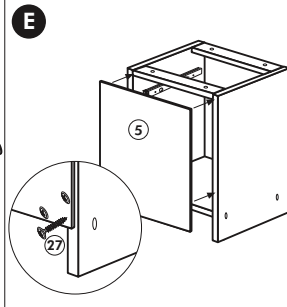
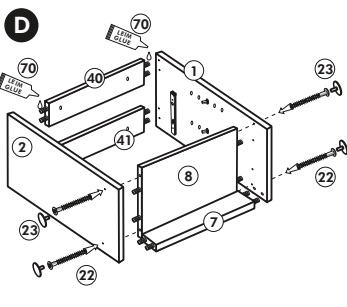
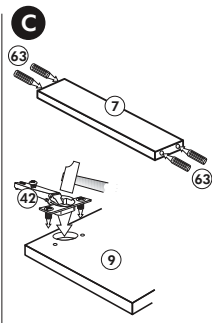
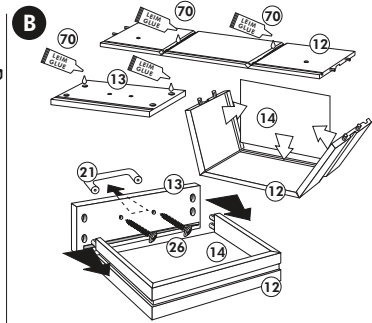
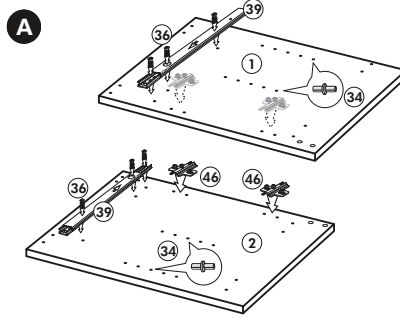
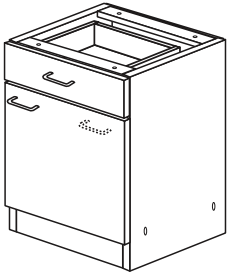
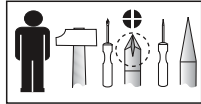
**G**



Wilhelm Hoffmeister GmbH + Co KG, Hueckerstr. 19, 32257 Bünde

# Unterschrank ohne AP

Nr. 003 Rev.00

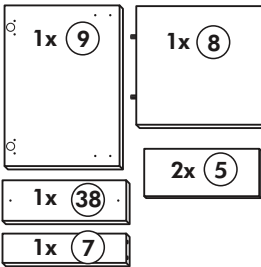
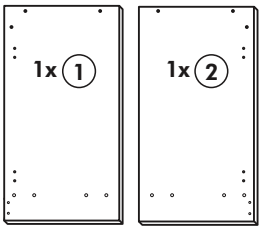
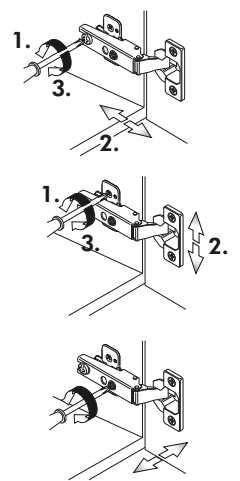
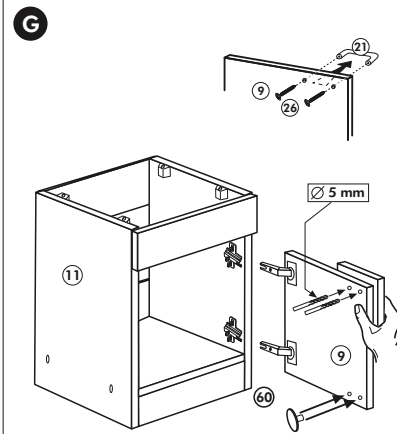
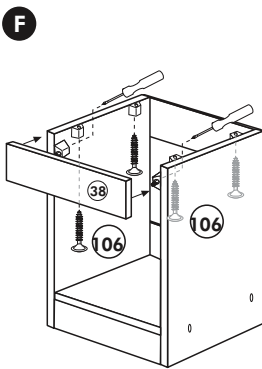
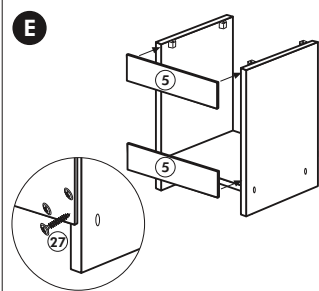
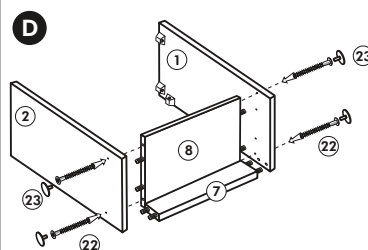
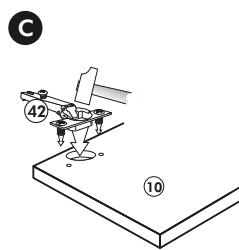
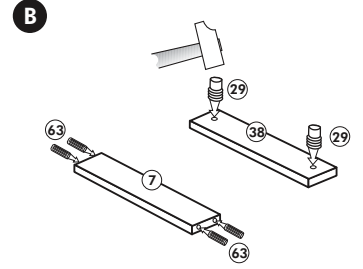
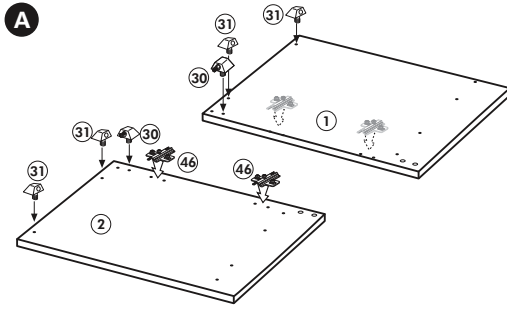
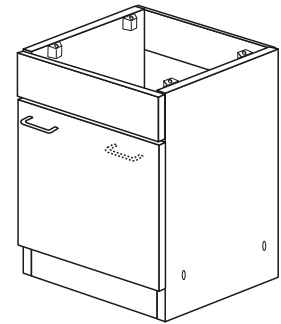
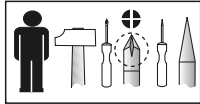


|    |          |     |                |
|----|----------|-----|----------------|
| 34 |          | 22  |                |
| 4x |          | 4x  |                |
| 36 |          | 23  |                |
| 6x | 3,5 x 15 | 4x  | Ø 3            |
| 39 |          | 27  |                |
| 2x |          | 24x | 3,0 x 20       |
| 70 |          | 26  |                |
| 1x |          | 4x  | 4,0 x 30<br>M4 |
|    |          | 106 |                |
|    |          | 4x  | 4,0 x 30       |
|    |          | 63  |                |
|    |          | 4x  | 8 x 30         |
|    |          | 45  |                |
|    |          | 2x  | M4 x 10        |
|    |          | 42  |                |
|    |          | 2x  |                |
|    |          | 46  |                |
|    |          | 2x  |                |
|    |          | 21  |                |
|    |          | 2x  |                |
|    |          | 60  |                |
|    |          | 2x  | Ø 5            |

Wilhelm Hoffmeister GmbH + Co KG, Hueckerstr. 19, 32257 Bünde

# Spüle-Unterschrank ohne AP

Nr. 400 Rev.00

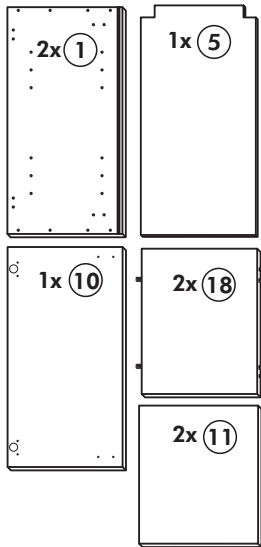
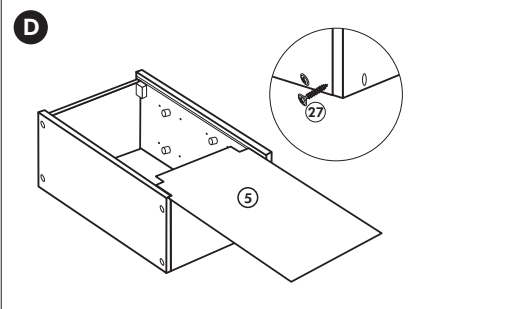
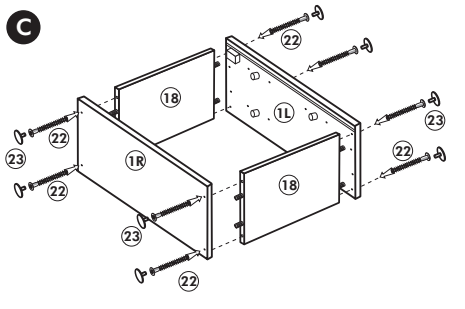
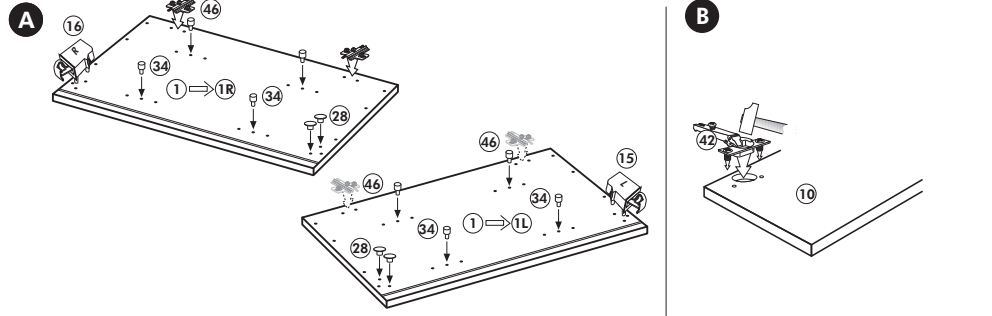
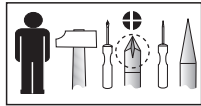
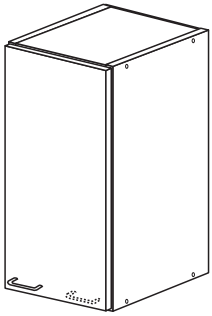


|                              |                                   |
|------------------------------|-----------------------------------|
| <b>23</b><br>4x<br>Ø 3       | <b>30</b><br>2x                   |
| <b>46</b><br>2x              | <b>29</b><br>2x<br>Ø 10           |
| <b>42</b><br>2x              | <b>22</b><br>4x                   |
| <b>63</b><br>4x<br>8 x 30    | <b>26</b><br>2x<br>4,0 x 30<br>M4 |
| <b>106</b><br>4x<br>4,0 x 30 | <b>31</b><br>4x                   |
|                              | <b>60</b><br>2x<br>Ø 5            |
|                              | <b>27</b><br>14x<br>3,0 x 20      |
|                              | <b>21</b><br>1x                   |

Wilhelm Hoffmeister GmbH + Co KG, Hueckerstr. 19, 32257 Bünde

# Hochhängeschrank

Nr. 103 Rev.00



|    |      |    |                     |
|----|------|----|---------------------|
| 68 |      | 23 |                     |
| 2x |      | 8x | Ø 3mm               |
| 34 |      | 27 |                     |
| 8x |      | 8x | 3,0 x 20            |
| 28 |      | 26 |                     |
| 4x | Ø 10 | 2x | 4,0 x 30<br>M4 x 30 |
| 60 |      | 15 |                     |
| 2x | Ø 5  | 1x |                     |
| 22 |      | 16 |                     |
| 8x |      | 1x |                     |
| 46 |      | 69 |                     |
| 2x |      | 2x |                     |
| 21 |      | 42 |                     |
| 1x |      | 2x |                     |

